

Service Service Service



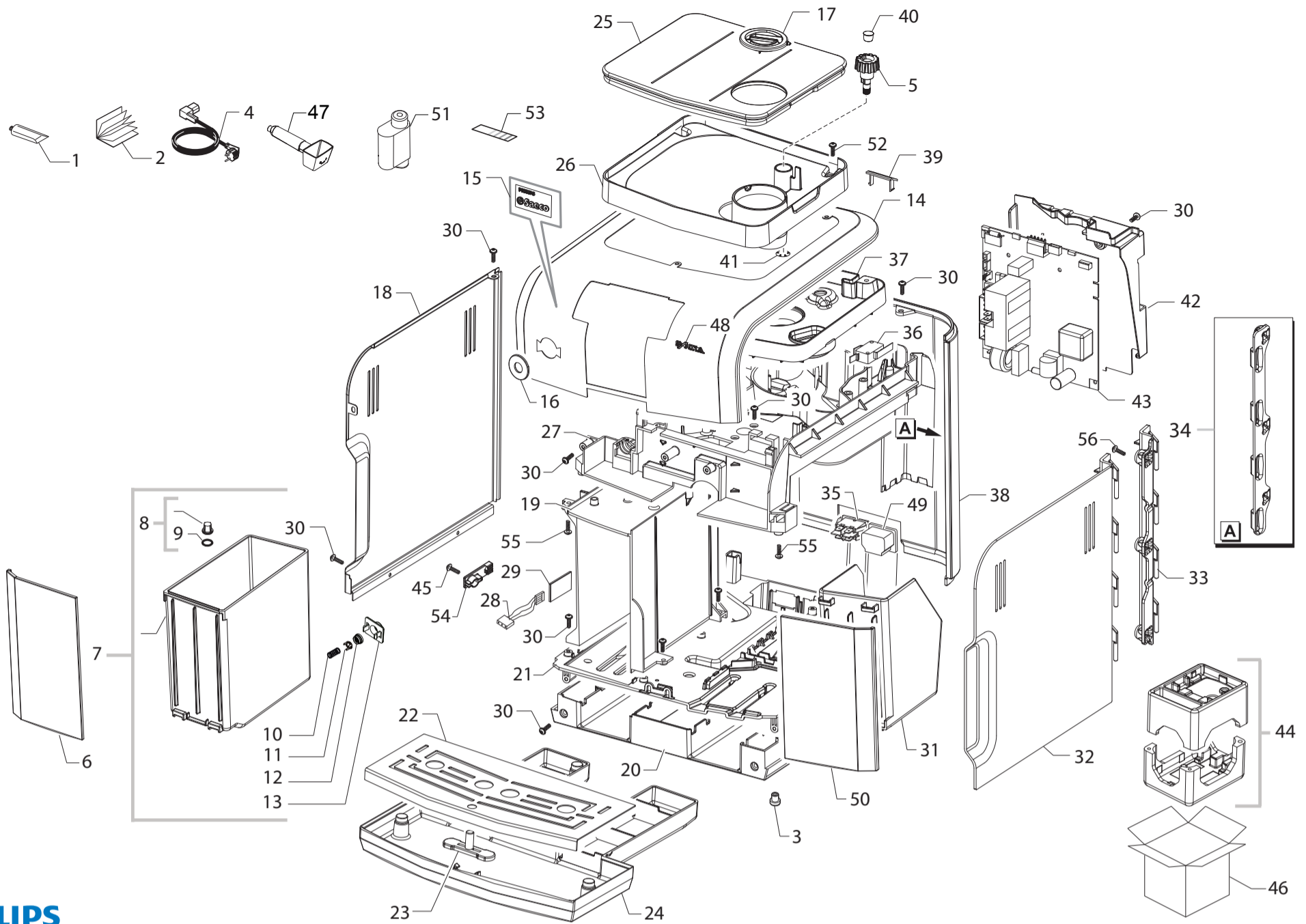
Exploded View

Contents

Table

External / Electronical components	1/5
Front panel / User interface	2/5
Water system	3/5
Coffee grinder assembly	4/5
Gear motor / Brewing unit	5/5

All rights reserved. No part of this publication may be reproduced, stored in a retrieval system or transmitted, in any form or by any means, electronic, mechanical, photocopying, or otherwise without the prior permission of Saeco.



PHILIPS

Saeco

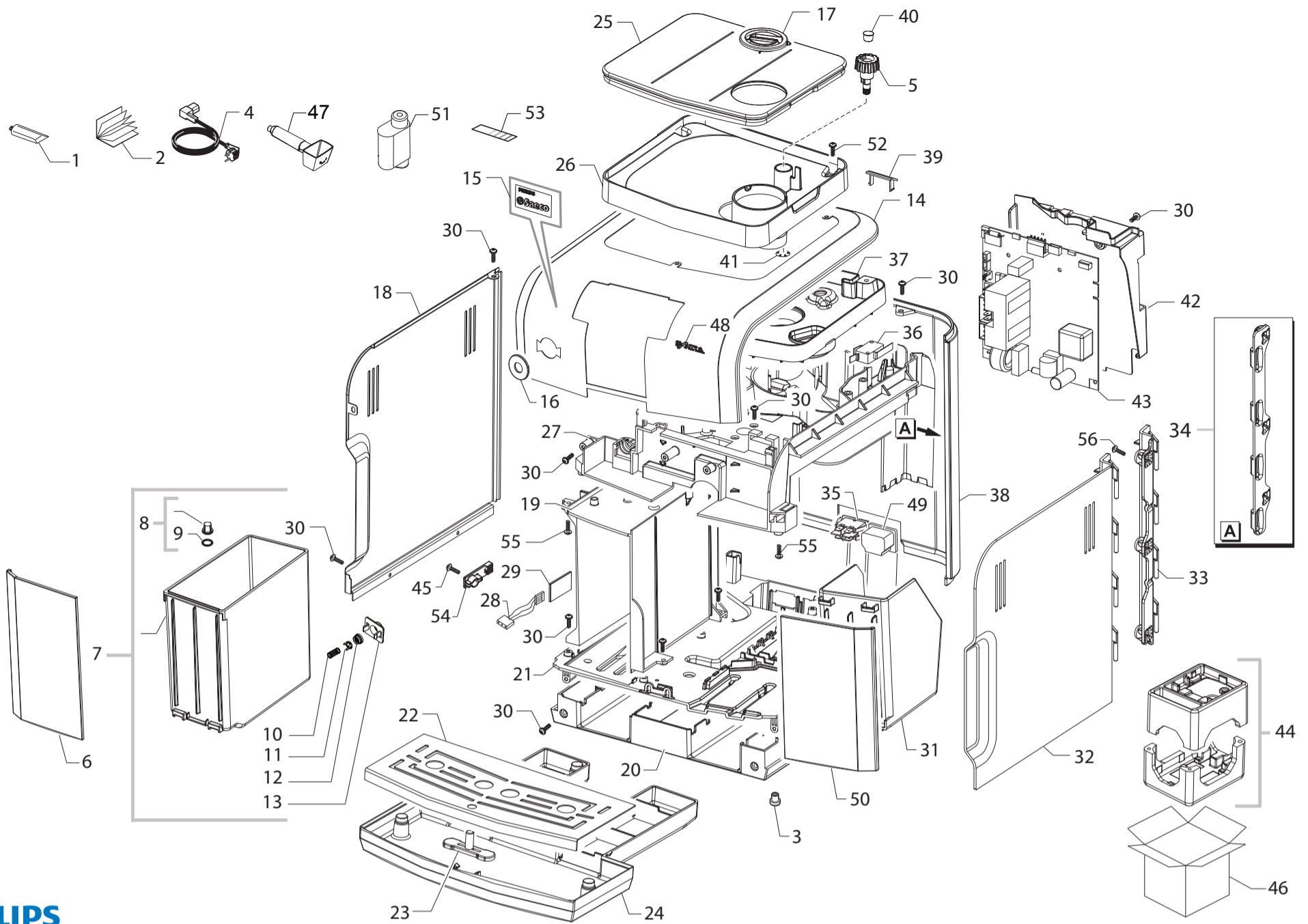
SUP 037DR

HD8836/11-12-18-19-21-22-29
HD8837/01-02-03-04-05-06-08-09
HD8837/31-32-33-43-47



Cod.10003320-21-22-3604-05-06-07-08-09-10-11-12
Cod.10003613-3722-23-66-67-3888-3961-10004088

POS	CODE	DESCRIPTION	NOTE	POS	CODE	DESCRIPTION	NOTE
01	11028379	PSA KLUBER TRIBOSTAR SIL 2 TUBE 5GR.		09	140328461	EPDM OR METRIC 0190-10	
02	15002480	MANUAL PSA SUP037DR XSM/H IT		10	11003672	SPRING FOR WATER CONTAINER VALVE P0049	
	15002481	MANUAL PSA SUP037DR XSM/H GB		11	11003673	GREY WATER CONTAINER VALVE INSERT P0049	
	15002482	MANUAL PSA SUP037DR XSM/H DE		12	11003671	TRANSP.VALVE FOR WATER CONTAINER P0049	
	15002483	MANUAL PSA SUP037DR XSM/H FR		13	11001298	BLACK LID FOR DUCKBILL VALVE P0049	
	15002484	MANUAL PSA SUP037DR XSM/H ES		14	11012718	SS UPPER CASING COVER XSM/H ASSY.	CLASS / DIGITAL
	15002485	MANUAL PSA SUP037DR XSM/H PT			11025243	RED UPPER CASING COVER XSM/H ASSY.	DIGITAL RED
	15002486	MANUAL PSA SUP037DR XSM/H NL		15	11025026	ADHES.SILVER PLATE LOGO PHILIPS-SAECO	
	15002487	MANUAL PSA SUP037DR XSM/H SV		16	11012921	CHROMED UPPER COVER CASING CAP XSM	
	15002488	MANUAL PSA SUP037DR XSM/H NO			11027486	CHROM.UPPER COVER CASING CAP V2 XSM	
	15002489	MANUAL PSA SUP037DR XSM/H FI				FROM TO S/N TU901128095110	
	15002490	MANUAL PSA SUP037DR XSM/H DA		17	11013102	NATUR/GREY GROUND COFFEE HOPPER LID XSM	
	15002491	MANUAL PSA SUP037DR XSM/H GR		18	11012727	SS.CASING LEFT SIDE XSM ASSY.	DIGITAL INOX
	15002492	MANUAL PSA SUP037DR XSM/H PL		18	11025278	RED CASING LEFT SIDE XSM ASSY.	DIGITAL RED
	15002493	MANUAL PSA SUP037DR XSM/H RU			11021374	WHITE CASING LEFT SIDE XSM	CLASS
	15002494	MANUAL PSA SUP037DR XSM/H HU		18	11013107	BLACK CASING LEFT SIDE XSM	CLASS
	15002495	MANUAL PSA SUP037DR XSM/H CS		19	11012708	BLACK CASING BOTTOM INSERT XSM	
	15002496	MANUAL PSA SUP037DR XSM/H SK		20	11022419	SAT.MET/GREY CASING BOTTOM COVER XSM	DIGITAL INOX
	15002497	MANUAL PSA SUP037DR XSM/H UA		20	11013471	WHITE CASING BOTTOM COVER XSM	CLASS
	15002498	MANUAL PSA SUP037DR XSM/H SL			11012681	BLACK CASING BOTTOM COVER XSM	CLASS / DIGITAL RED
	15002499	MANUAL PSA SUP037DR XSM/H RO		21	17000432	BLACK CASING BOTTOM XSMC	
	15002500	MANUAL PSA SUP037DR XSM/H CR		22	11012706	SS GRATE FOR DRIP TRAY XSM	
	15002501	MANUAL PSA SUP037DR XSM/H BG		23	11013184	RED FLOAT FOR DRIP TRAY XSM	
	15002502	MANUAL PSA SUP037DR XSM/H SR		24	11022440	SAT.MET/GREY DRIP TRAY XSM ASSY.	
	15002503	MANUAL PSA SUP037DR XSM/H CHN			11021857	WHITE DRIP TRAY XSM ASSY.	
	15002504	MANUAL PSA SUP037DR XSM/H KOR			11013229	BLACK DRIP TRAY XSM ASSY.	
	15002577	MANUAL PSA SUP037DR XSM/H TWN		25	11012725	NATUR/GREY BEAN COFF.CONTAINER LID XSM	
	15002740	MANUAL PSA SUP037DR XSM/H SA		26	11012724	NATUR/GREY BEAN CONTAINER XSM	
	15002982	MANUAL PSA HD8836/HD8837 XSM/H PT/BRA		27	11012642	BLACK COFFEE GRINDER PLATE XSM	
03	147622800	TRANSPARENT SILICONE FOOT		28	11013709	3POLES CONNECTOR WATER LEVEL XSM UL	
04	183911050	BLACK POWER CABLE SCHUKO L=1200		29	11000651	WATER LEVEL SENSOR BOARD P124	
	183930650	PO.CABL.CH BLACK 3X1 H05VV-F L=1200		30	12000450	SCREW TCBR TORX 10 3,5X12 PLAST.ZN-N	
	11004247	BLACK POWER CABLE RVV 3X1 CHINA L=1200MM		31	11012709	BLACK DUMP BOX XSM	
	11001985	BLACK POWER CABLE KOREA 3X1 L=1200		32	11012716	SS DOOR RIGHT SIDE XSM ASSY.	DIGITAL INOX
	11004246	BLACK POWER CABLE TAIWAN HVCTF L=1200			11025279	RED DOOR RIGHT SIDE XSM ASSY.	DIGITAL RED
	183970350	BLK POWER CABLE 3X1 H05VV-F UK L=1200MM			11022260	WHITE DOOR RIGHT SIDE XSM ASSY.	CLASS
	183921950	POWER CABLE SJT3 USA BLACK UL L=1200			11013161	BLACK DOOR RIGHT SIDE XSM ASSY.	CLASS
	17800330	BLACK POWER CABLE BRAZIL L=1200	120V	33	11012713	BLACK HINGE FOR DOOR RIGHT SIDE XSM	
05	11013206	BLACK GRIND.ADJUSTMENT KNOB XSM		34	11012714	BLACK HINGE FOR REAR CASING XSM	
06	11013160	SS WATER TANK COVER XSM ASSY.		35	NE03.038	BIPOLAR SWITCH FUSIT C1250AR	
	11025269	RED WATER TANK COVER XSM ASSY.		36	NE05.013	MICROSWITCH	
07	11013093	NATUR/GREY WATER CONTAINER XSM ASSY.		37	17000431	SOUNDPROOFING COVER FOR COFGRINDER XSMC	
08	224640200	EXTERNAL FILTER FOR WATER CONTAINER ASSY					



PHILIPS

Saeco

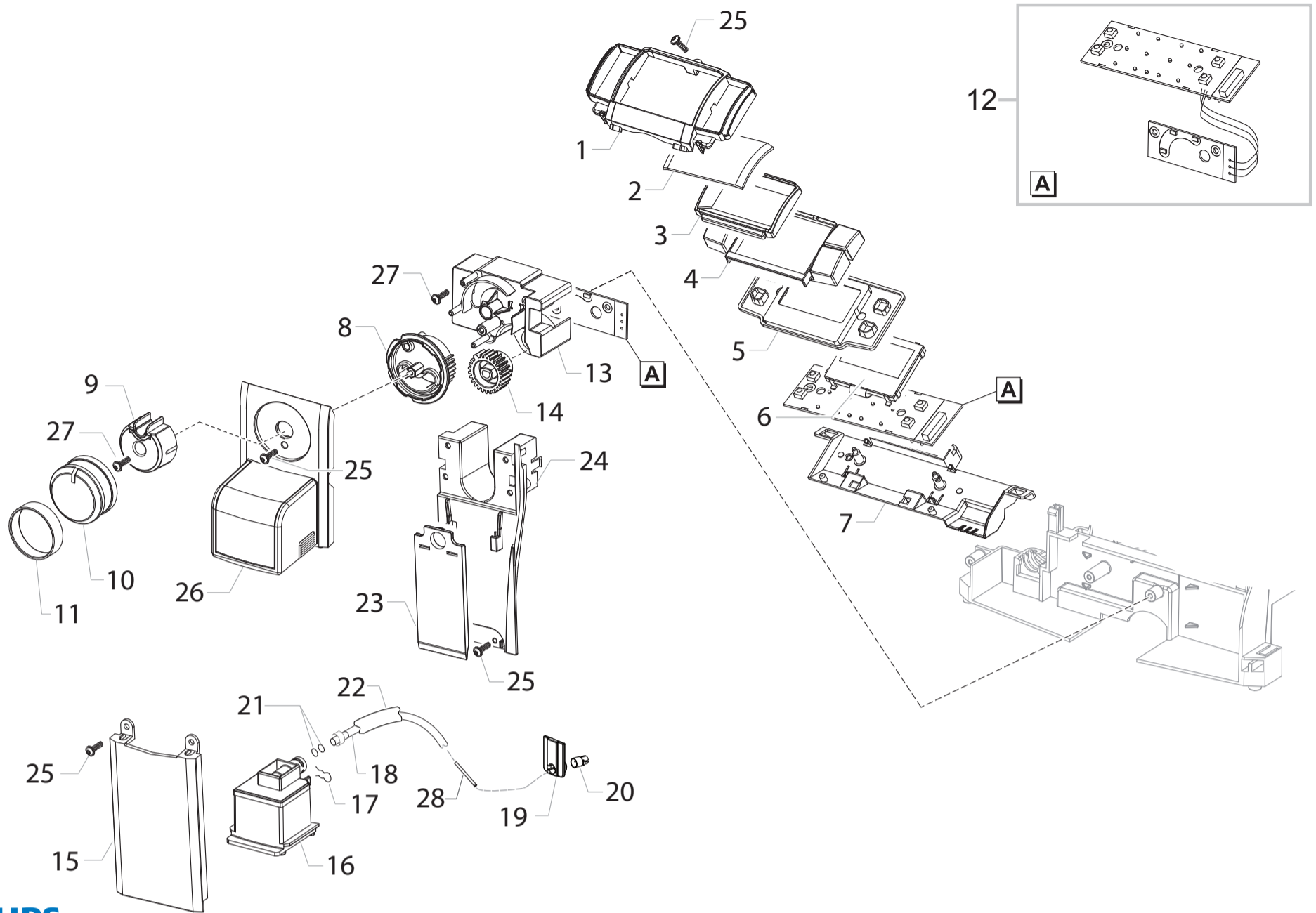
SUP 037DR

HD8836/11-12-18-19-21-22-29
 HD8837/01-02-03-04-05-06-08-09
 HD8837/31-32-33-43-47



Cod.10003320-21-22-3604-05-06-07-08-09-10-11-12
 Cod.10003613-3722-23-66-67-3888-3961-10004088

POS	CODE	DESCRIPTION	NOTE	POS	CODE	DESCRIPTION	NOTE
38	11013109	BLACK REAR CASING+SS INSERT XSM ASSY.	DIGITAL INOX				
	11025276	BLACK REAR CASING+RED INSERT XSM ASSY.	DIGITAL RED				
	11013600	WHITE REAR CASING XSM	CLASS				
	11013104	BLACK REAR CASING XSM	CLASS				
39	11013704	TRANSPARENT COVER INFRAREDS ACCESS XSM					
40	149213000	TRANSP.CAP FOR KNOBS BEAN CONTAINER					
41	120350604	SHAFT 6 UNI 7434					
42	11012301	BLACK PWR/CPU BOARD PROTECTION P0057					
43	11012593	CPU+SW AS.XSM V2	230V				
		UP TO S/N. TU901108024566					
	11026606	AS.CPU+SW XSM V3	230V-STANDARD BOILER				
		FROM S/N. TU901108024567 TO S/N TU901215060935					
	11027925	AS.CPU+SW XSM SLIM 230V	230V-SLIM BOILER 230V				
		FROM S/N. TU901215060936					
	11023761	CPU+SW AS.XSM V2 STD	120V				
		UP TO S/N. TU901108024566					
	11026608	AS.CPU+SW P0057 V3 STD	120V				
		FROM S/N. TU901108024567					
44	20006885	KIT PS-E INSERT FOR BOX XSM					
45	129913202	SCREW TCB TORX 10 3X8 PLAST.ZN-B					
46	13001268	DISPLAY BOX XSM/H PSA SYNTIA DGT/CL WE	CLASS / DIGITAL / DIGITAL RED				
	13001269	DISPLAY BOX XSM/H PSA SYNTIA DGT/CL CEE	CLASS / DIGITAL				
	13001372	DISPLAY BOX XSM/H PSA SYNTIA DGT/CL USA					
47	146680850	BLACK COFFEE MEASURE SMART					
48	11022065	ADHES.SILVER PLATE LOGO SYNTIA					
49	12000280	CUP SOCKET EN 60320 C 13					
	12001645	CUP SOCKET V2 EN 60320 C 13	USA UL				
50	11021826	SS DUMP BOX COVER XSM ASSY.	CLASS / DIGITAL				
50	11025244	RED DUMP BOX COVER XSM ASSY.	DIGITAL RED				
51	21002050	ACC PSA BRITA WATER FILTER 1UNIT	EUR-ASIA				
	21002051	ACC PSA MAVEA WATER FILTER 1UNIT	USA-BRAZIL				
52	129912504	SCREW TCB TORX 10 3,5X14 PLAST.ZN-N					
53	0301.961	STICKER FOR WATER HARDNESS TEST					
54	17000064	BLACK CAPACITIVE SENSOR INSERT XSM					
55	129912521	SCREW TCB TORX 10 3,5X14 PLAST.SS					
56	12001728	SCREW TCB TORX 10 3,5X12 PLAST.SS					



PHILIPS

Saeco

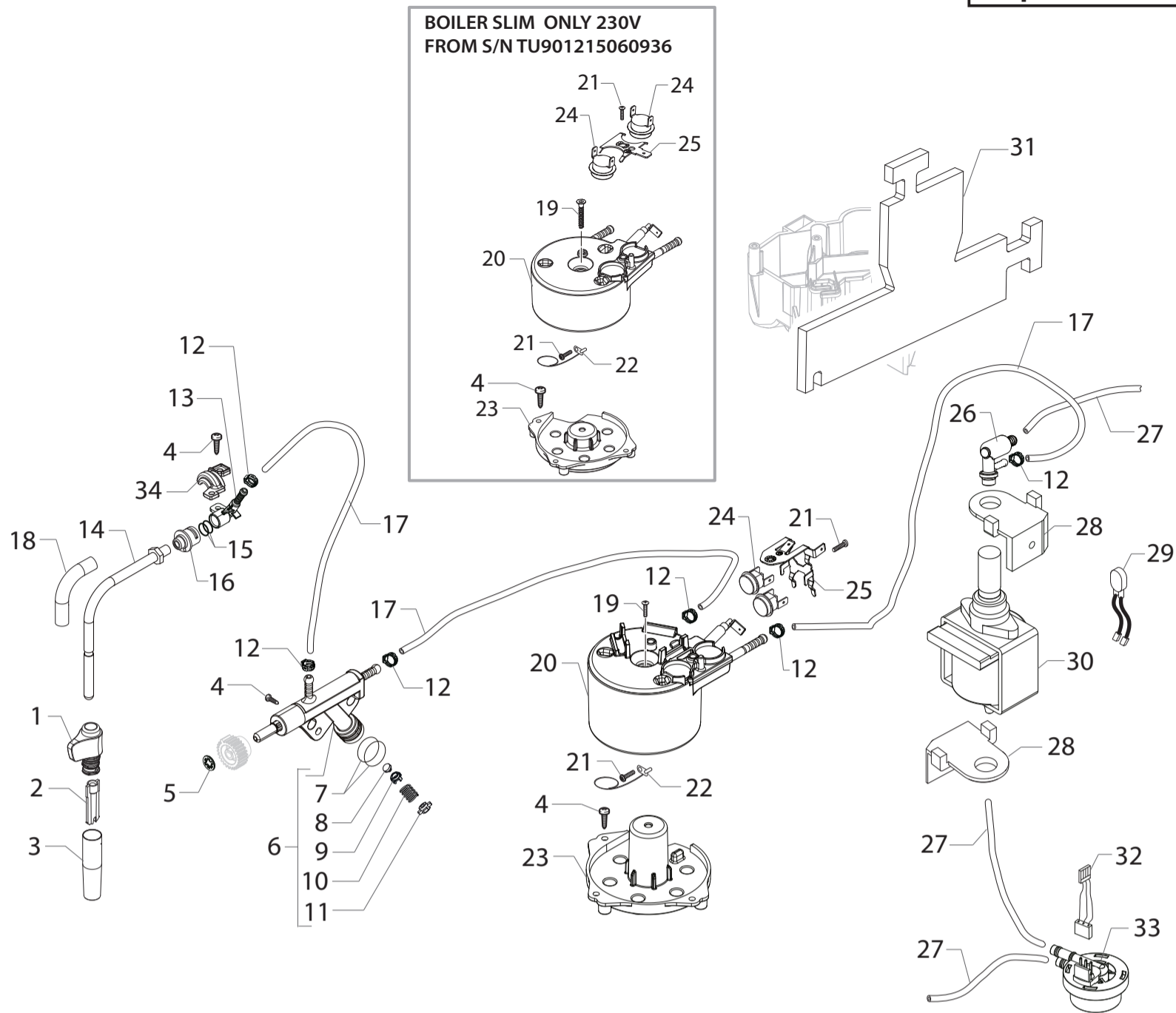
SUP 037DR

HD8836/11-12-18-19-21-22-29
 HD8837/01-02-03-04-05-06-08-09
 HD8837/31-32-33-43-47



Cod.10003320-21-22-3604-05-06-07-08-09-10-11-12
 Cod.10003613-3722-23-66-67-3888-3961-10004088

POS	CODE	DESCRIPTION	NOTE	POS	CODE	DESCRIPTION	NOTE
01	11013092	CHROM.TOUCH PANEL COVER XSM					
02	17000480	TRANSP.GLASS V2 FOR DISPLAY XSM/H					
03	11012700	BLACK DISPLAY FRAME XSM/H					
04	11013098	CHROM.TOUCH PANEL S/SCREEN XSM/H					
05	11012698	BLACK DISPLAY SEAL XSM/H					
06	20006982	KIT SPARES CPU+SW W/DISPL.P0057-XSM 230V UP TO S/N. TU901108024566	OR ORDER DISPLAY 12001612 AND UPDATE SW (V.05.09.08) IN SSC				
	20006983	KIT SPARES CPU+SW W/DISPL.P0057-XSM 120V UP TO S/N. TU901108024566	OR ORDER DISPLAY 12001612 AND UPDATE SW (V.05.09.05) IN SSC				
	12001612	DISPLAY CMG122647Z01ZBW XSM/H FROM S/N. TU901108024567	ALL MODELS				
07	11012699	BLACK DISPLAY SUPPORT XSM/H					
08	11013117	BLACK CONTROL KNOB SUPPORT XSM ASSY.					
09	11012701	BLACK CONTROL KNOB XSM					
10	11013091	CHROMED CONTROL KNOB COVER XSM/H					
11	11021454	BLACK CONTROL KNOB COVER INSERT XSM					
12	11012820	INTERFACE BOARDS +UL CABLES XSM/H ASSY.					
13	11012704	BLACK KNOB ELECTR.BOARD SUPPORT XSM					
14	11004120	BLACK STEAM/WATER GEAR Z=26 P0057					
15	11013096	CHROMED FRONT PLATE XSM					
16	11013070	BLACK COFFEE DISPENSER XSM ASSY.					
17	9011.144	SS FORK FOR TUBE D.4					
18	11004132	TEFLON TUBE 2X4 L=250 MM ASSY					
19	11005100	PLATE FOR 4X2 TEFLON TUBE P124					
20	11005101	BUSH FOR 4X2 TEFLON TUBE P124					
21	140328059	OR 2015 IN SILICONE PTFE/FDA					
22	149361200	BLACK SILICONE TUBE 7,5X9,3	IN ROLL				
23	11013411	BLACK COF.DISPENSER MOBILE PART SUPP.XSM					
24	11012707	BLACK FRONT PANEL SUPPORT XSM					
25	12000450	SCREW TCBR TORX 10 3,5X12 PLAST.ZN-N					
26	11021760	CHROM.COFF.DISPENSER SUPP.S/SCR.XSM ASSY					
27	129912504	SCREW TCBR TORX 10 3,5X14 PLAST.ZN-N					
28	17000266	SS.L=22,6MM INT.BUSH FOR TEFLON TUBE D4					



PHILIPS

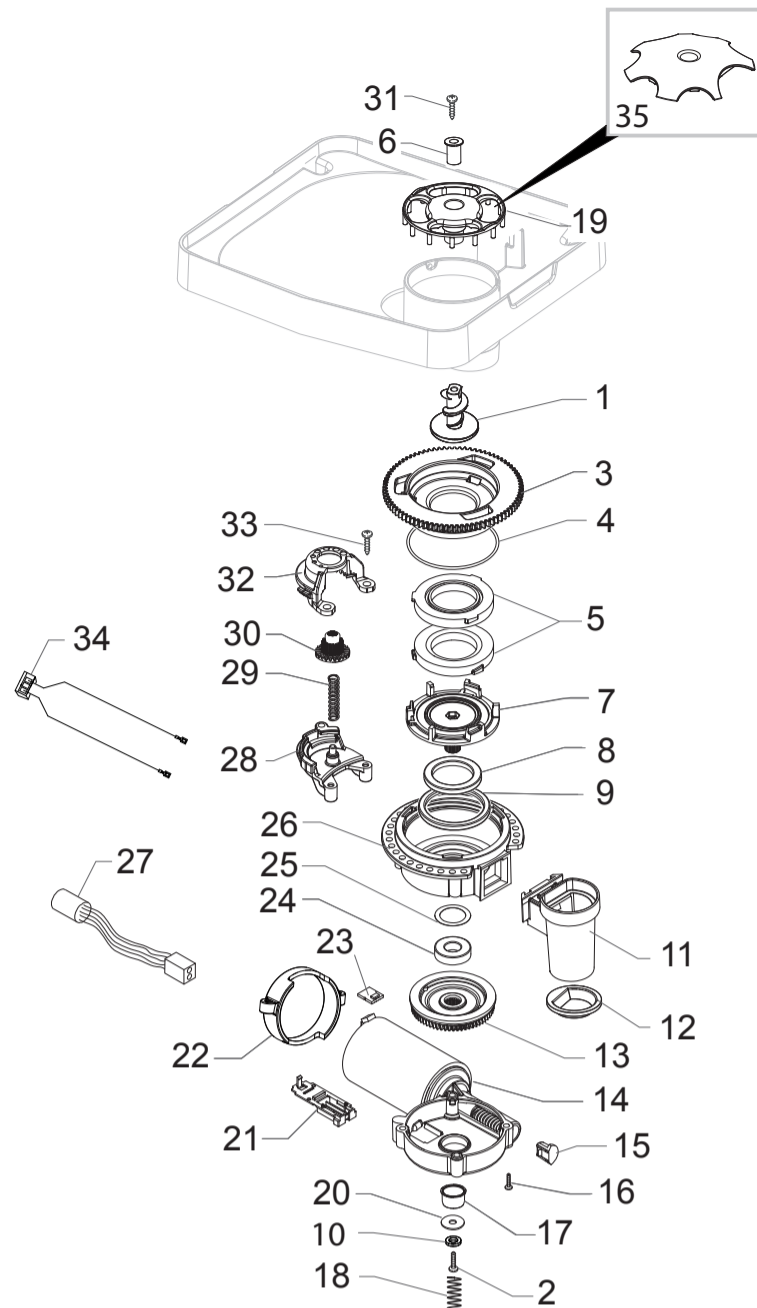
Saeco

SUP 037DR HD8836/11-12-18-19-21-22-29
HD8837/01-02-03-04-05-06-08-09
HD8837/31-32-33-43-47



Cod.10003320-21-22-3604-05-06-07-08-09-10-11-12
Cod.10003613-3722-23-66-67-3888-3961-10004088

POS	CODE	DESCRIPTION	NOTE	POS	CODE	DESCRIPTION	NOTE
01	11007194	BLACK STEAM TUBE HANDGRIP G0053		31	11021450	TUB.BOILER STD C1 INSULATING	WITH STD BOILER
02	11001620	BLACK PANNARELLO INTERNAL TUBE P0049		32	11005948	3POLES CONNECTOR FLOWMETER P0057	
03	11001621	SS PANNARELLO COVER P0049		33	NV99.099	TURBINE D=1,2 932-8521/00 ASSY.	
04	12000450	SCREW TCBR TORX 10 3,5X12 PLAST.ZN-N		34	11013894	BLACK FORK FOR STEAM TUBE GXSM	
05	128210600	ELASTIC WASHER FOR SHAFT D=6MM					
06	11012381	FLOW SELECTOR FAUCET V2 P0057					
07	12000893	BLACK OR METRIC 0120-20 IN EPDM					
08	11008104	MUSHROOM VALVE FOR FLOW SELECTOR P0057					
09	11008105	SUPPORT VALVE FOR FLOW SELECTOR P0057					
10	11008077	SPRING FOR VALVE FLOW SELECTOR P0057					
11	11008106	VALVE CAP FOR FLOW SELECTOR P0057					
12	12000892	OETIKER CLAMP D=9,5 16700004					
13	11005757	STEAM TUBE SUPPORT P0057					
14	11013637	TF/CHROMED STEAM TUBE XSM ASSY.					
15	140324461	OR ORM 0060-20 IN TERMOIL					
16	11011127	BLACK PA6 BUSH FOR STEAM TUBE P0057					
17	16000380	5X8,9 SILICONE TUBE	IN ROLL				
18	11012923	CHROMED STEAM TUBE PROTECTION XSM					
		UP TO S/N TU901128095109					
19	129932502	SCREW TSP 5X30 PLAST.ZN-B	WITH STD BOILER				
	12001369	VITE TSP 5X35 PLAST.INOX	WITH SLIM BOILER				
20	11011341	V4 TUB.BOILER ASSY.	STD BOILER 230V				
		UP TO S/N TU901215060935					
	11013735	SLIM TUB.BOILER ASSY.	SLIM BOILER 230V				
		FROM S/N TU901215060936					
	11011342	V4 TUB.BOILER ASSY.	120V-1300W				
21	129573202	SCREW TCB TORX 20 M4X8 AUTOFORMING ZN-B	WITH STD BOILER				
	12001715	SCREW TCB TORX 20 M4X8 AUTOFORMING ZN-B	WITH SLIM BOILER				
22	190800100	TEMPERATURE SENSOR NTC UL L=280MM					
23	11003752	BLACK BOILER SUPPORT P0057					
	11022791	BLACK SLIM/EXSL TUB.BOILER SUPPORT					
24	12001034	THERMOSTAT ONE SHOT 175°	WITH STD BOILER				
		UP TO S/N TU901215060935					
	12001033	THERMOSTAT ONE SHOT 190°	WITH SLIM BOILER				
		FROM S/N TU901215060936					
25	11010164	THERMOSTATES SPRING FOR BOILER	WITH STD BOILER				
	11001751	TUB.BOILER V3 UPPER THERM.FIXING SPRING	WITH SLIM BOILER				
26	11004689	TEA/BRASS SAFETY VALVE 16-18 BAR ASSY.					
27	JS01.022	SILICONE TUBE 5X10 60 SHORE	IN ROLL				
28	149205850	BLACK PUMP SUPPORT TYPE ULKA					
29	11009747	2POLES CONNECTOR PUMP P0057 UL					
30	12000140	ULKA PUMP EP5/S GW	230V-50HZ				
	12000142	ULKA PUMP EAP5/S	120V-60HZ				
	12000182	ULKA PUMP EP5/S GW	220V-60HZ				



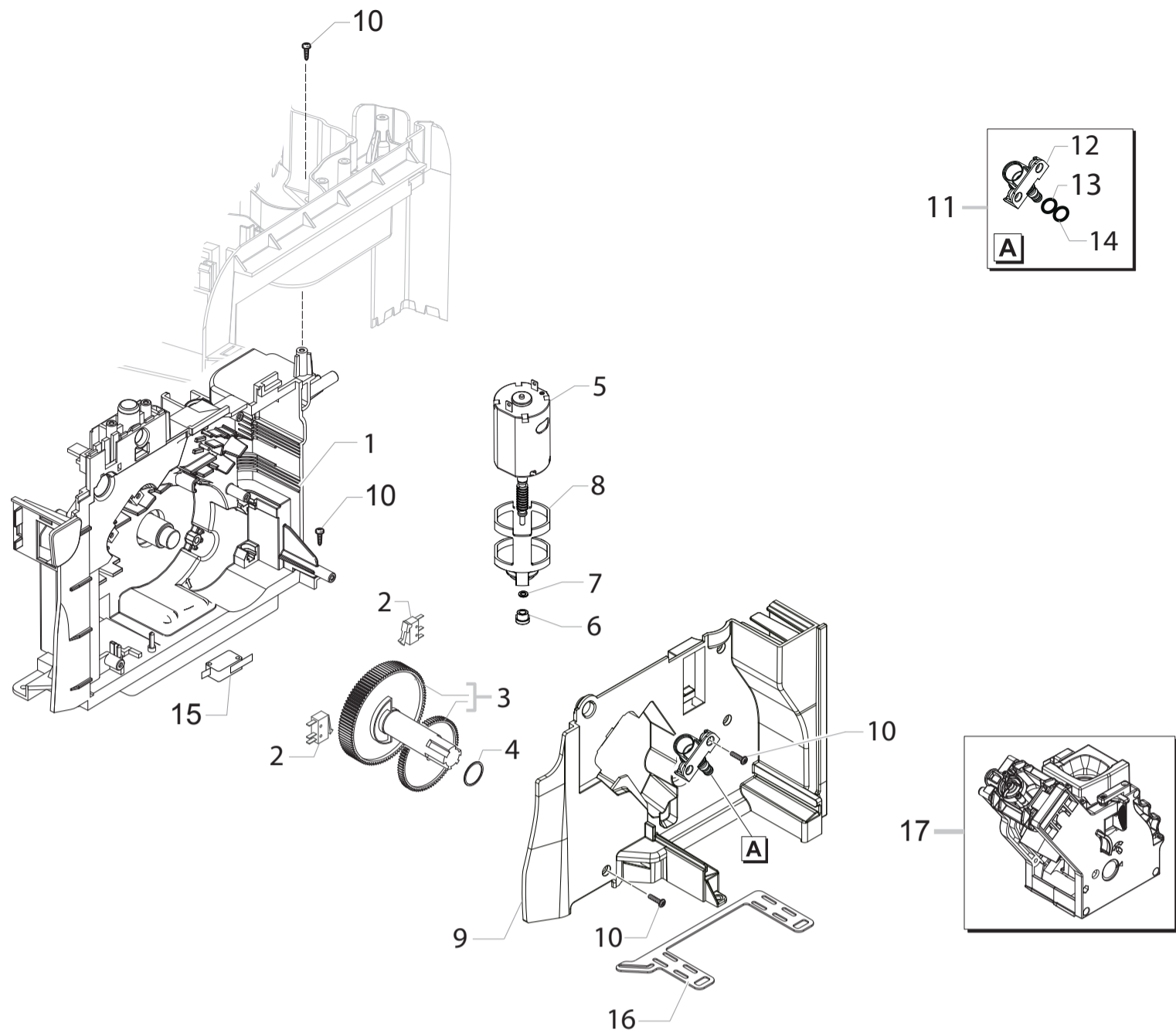
PHILIPS

SUP 037DR

 HD8836/11-12-18-19-21-22-29
 HD8837/01-02-03-04-05-06-08-09
 HD8837/31-32-33-43-47

 Cod.10003320-21-22-3604-05-06-07-08-09-10-11-12
 Cod.10003613-3722-23-66-67-3888-3961-10004088

POS	CODE	DESCRIPTION	NOTE	POS	CODE	DESCRIPTION	NOTE
01	11010031	TEA ZAMA INCREASE SCREW GRINDER					
	11024208	TEA SHORT ZAMA INCREASE SCREW GRINDER	USA UL				
02	129574802	SCREW TCB TORX 20 M4X30 ZN-B					
03	149198250	UPPER GRINDER SUPPORT COFFEEGRINDER					
04	140328960	NBR FDA OR METRIC 0530-15					
05	146520100	BAKED CLAY GRINDER 48X28					
06	11012466	BRASS BUSH BEAN CONT.FINGER PROTEC.P0057					
07	149198350	LOWER GRINDER SUPPORT COFFEEGRINDER					
08	123030300	AXIAL BEARING EKKO 342.35252					
09	140360500	FELT RING 45,4X39,4X4					
10	128310402	GALV.WASHER UNI 8842 A4					
11	11026355	BLK GROUND COFF.OUTLET CONVEYOR V4 ASSY.					
12	145854462	GROUND COFFEE CONT.SEAL LOWER SMART1					
13	226000300	GEAR SX Z=38 FOR GRINDER MOTION ASSY.					
14	11000513	MOTOR COFFEEGRINDER/V3.1 ASSY	230V				
	11000511	MOTOR COFFEEGRINDER/V3.1 ASSY	120V				
15	149214800	CAP FOR WORM SCREW MCV3 CENTRING					
16	129661702	SCREW TCB TORX 3,5X30 PLAST.ZN-B					
17	11002873	INSULATOR BUSH FOR GRINDER MOTOR P124					
18	11000597	COFFEE GRINDER SUPPORT SPRING P124					
19	11014285	BLK V2 BEAN CONTAIN.FINGER PROTECT.P0057					
20	128381902	GALVAN.FLAT WASH.DI=4,3 DE=14 SP=1,5					
21	149199050	SENSOR SUPPORT FOR COFF.GRIND.MOTOR					
22	11000194	BLACK GRINDER MOTOR SUPPORT P124					
23	181540900	ELECTRONIC BOARD WITH SENSOR HAL506					
24	123030200	RADIAL BEARING 61900.2RS1					
25	128381800	CRINKLE WASHER 21,8X15,8X0,2					
26	142905450	UPPER BODY WITH COFFE.GROUND OUTLET					
27	11008871	3 POLES CONNECTOR MC SENSOR S0053 UL					
28	11002613	LOWER GEAR SUPPORT COFFEEGRINDER P124					
29	11002572	GRINDER REGULATION SPRING P124					
30	11003784	COFFEE GRINDING ADJUSTMENT GEAR P0049					
31	U043.004	ZN-B TCB SCREW M4X16					
32	11002508	UPPER GEAR SUPPORT COFFEEGRINDER P124					
33	129914002	SCREW TCB TORX 10 3,5X16 PLAST.ZN-B					
34	11008869	2POLES CONNECTOR GRINDER MOTOR S0053					
35	11022841	TRANS.BEAN CONTAIN.FINGER PROTECT.XSM UL	USA UL				
	11006059	MC GENERAL MOTOR P0057 STD 230V ASSY.	230V				
	11013028	MC GENERAL MOTOR P0057 120V ASSY.	120V				
	11024242	GEN.MOTOR COF.GRINDER V3 P0057 120V ASSY	USA UL				



PHILIPS

Saeco

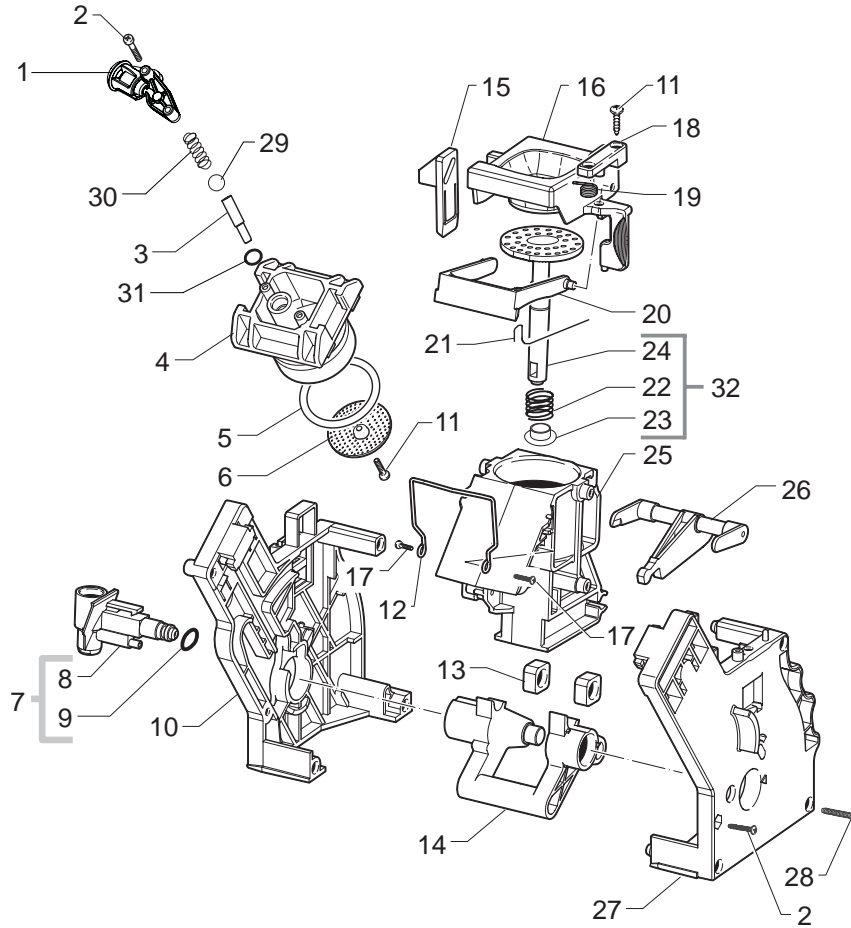
SUP 037DR

HD8836/11-12-18-19-21-22-29
 HD8837/01-02-03-04-05-06-08-09
 HD8837/31-32-33-43-47



Cod.10003320-21-22-3604-05-06-07-08-09-10-11-12
 Cod.10003613-3722-23-66-67-3888-3961-10004088

POS	CODE	DESCRIPTION	NOTE	POS	CODE	DESCRIPTION	NOTE
01	17000366	BLK RATIOMOTOR MOUNTING PLATE XSMCASSY.					
02	NE05.038	MICROSWITCH					
03	20000900	SPARES KIT GEARS FOR RATIOMOTOR V2					
04	9161.132	MYLAR WASHER FOR RATIOMOTOR					
05	11005214	MOTOR FOR RATIOMOTOR P124 ASSY.					
06	9121.046	SINTERED BUSH FOR MOTOR					
07	148380200	WASHER BAKELIZZATE D=5,5					
08	9121.044	ANTIVIBRATION FOR MOTOR					
09	11003754	BLACK COVER FOR MOUNTING PLATE P0057					
10	12001728	SCREW TCBR TORX 10 3,5X12 PLAST.SS					
11	11013531	PIN FOR FLOW SELECTOR FAUCET P0057 ASSY.					
12	11013530	PIN FOR FLOW SELECTOR FAUCET V2 P0057					
13	NM01.035	OR ORM 0090-20 SILICONE					
14	NM01.057	OR ORM 0050-20 IN SILICONE					
15	NE05.013	MICROSWITCH					
16	11013205	SEAL FOR RATIOMOTOR PLATE XSM					
17	11012382	BLACK BREW UNIT 8GR.5BAR P0057 SEE EXPL.CODE E90067 NEXT PAGE					



POS	CODE	DESCRIPTION	NOTE	POS	CODE	DESCRIPTION	NOTE
01	11009362	BLACK COFFEE OUTLET SLEEVE S0053 ASSY.					
02	12000550	SCREW TCB TORX 10 3X25 PLAST.SS					
03	11009276	TUBE FOR COUNTER PISTON BREW UNIT S0053					
04	11001840	BLACK COUNTER PISTON BREW UNIT 8GR.P124					
05	NM01.044	OR ORM 0320-40 SILICONE PTFE/FDA					
06	9161.268	PERCOLATOR DE=35,8 ELFO					
07	20000440	BLACK SPARE SLEEVE UNIT					
08	9161.064.050	BLACK WATER INLET SLEEVE BREW UNIT					
09	NM02.007	OR 2025 TERMOIL					
10	9161.375.050	BLACK REAR PLATE FOR BREW UNIT SMART					
11	12000895	SCREW TSP TORX 10 3X10 PLAST.SS					
12	11001556	SPRING H=49 FOR COFFEE BREW UNIT SMART					
13	9161.094.150	GREY DRILLED BLOCK BREW UNIT					
14	9161.066.050	ELBOW SHAFT FOR UNIT BLACK					
15	9161.373.050	BLACK COUPLING PLATE BREW UNIT SMART					
16	149261350	BLACK HOPPER DOSER BREW UNIT SMART1					
17	129912521	SCREW TCB TORX 10 3,5X14 PLAST.SS					
18	9161.374.050	BLACK HOPPER BLOCKING PLATE UNIT SMART					
19	9161.378	SPRING HOPPER SMART BREW UNIT					
20	11004161	BLACK SCRAPER FOR COFFEE UNIT					
21	9161.046	SPRING FOR UNIT SCRAPER					
22	9161.198	PISTON SPRING BREW UNIT M5000					
23	9161.191	NEUTRAL PISTON BUSH BREW UNIT M5000					
24	11003077	BLACK INTEGRAL PISTON UNIT P124 8GR.ASS					
25	11003075	BLACK COFFEE CONTAINER BREW UNIT P124	WITH PART. N° 12				
26	11003078	BLACK CONNECTING ROD FOR UNIT P124 8GR.					
27	11005920	BLACK FRONT PLATE BREW UNIT SMART S.SCR.					
28	12000897	SCREW TCB TORX 10 3,5X20 PLAST.SS					
29	9991.168	GLASS SPHERE D.5MM					
30	11012095	SPRING FOR CONTERPISTON UNIT S0053					
31	140328761	OR METRIC 0060-15 IN TERMOIL					
32	11023086	BLK 8GR.BREW UNIT NTEGR.PISTON GEN.ASSY.					
	11012382	BLACK BREW UNIT 8 GR.5 BAR S0053					