

Service  
Service  
**Service**



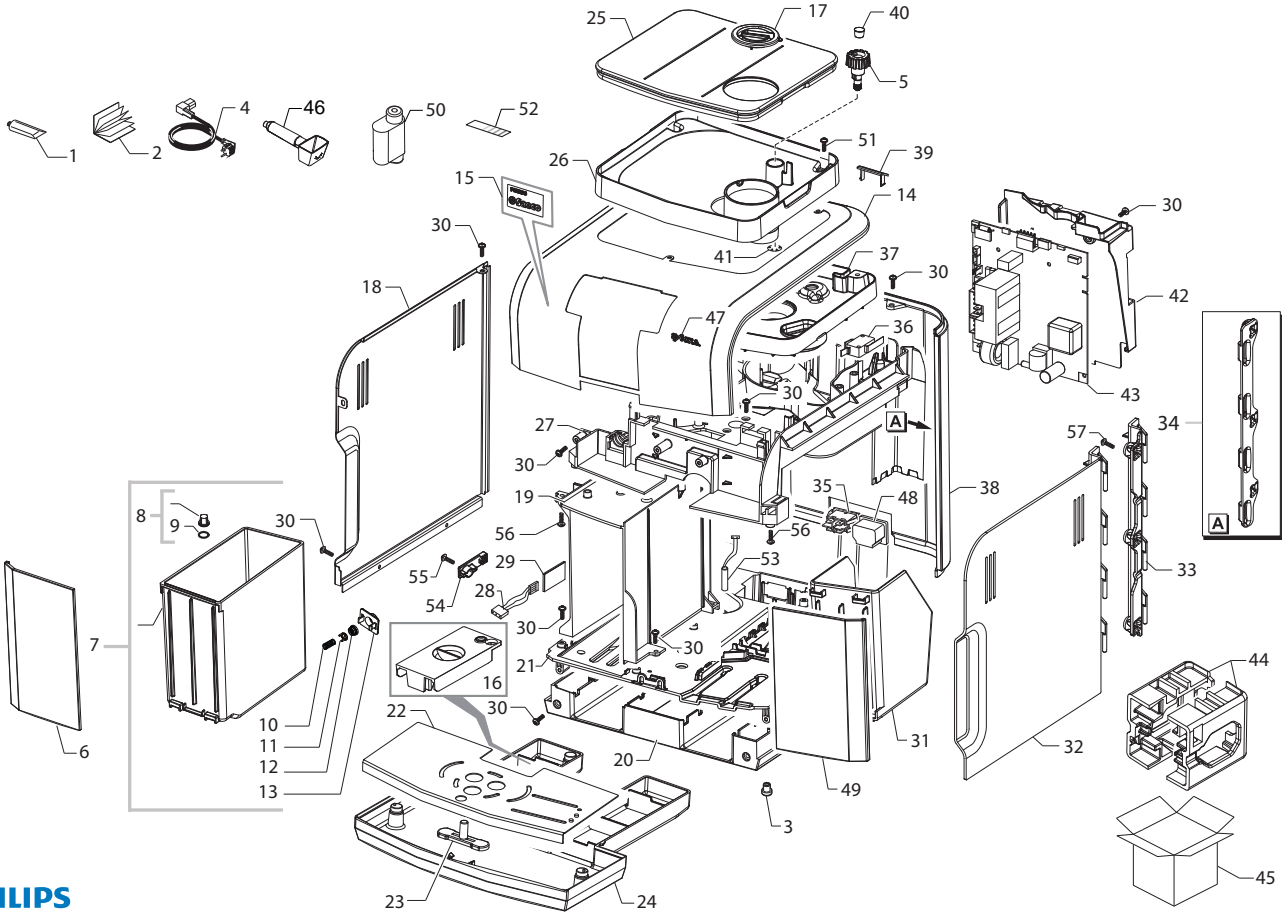
# Exploded View

## Contents

## Table

External / Electronical components	1/6
Front panel / User interface	2/6
Milk carafe	3/6
Water system	4/6
Coffee grinder assembly	5/6
Gear motor / Brewing unit	6/6

All rights reserved. No part of this publication may be reproduced, stored in a retrieval system or transmitted, in any form or by any means, electronic, mechanical, photocopying, or otherwise without the prior permission of Saeco.



PHILIPS

Saeco

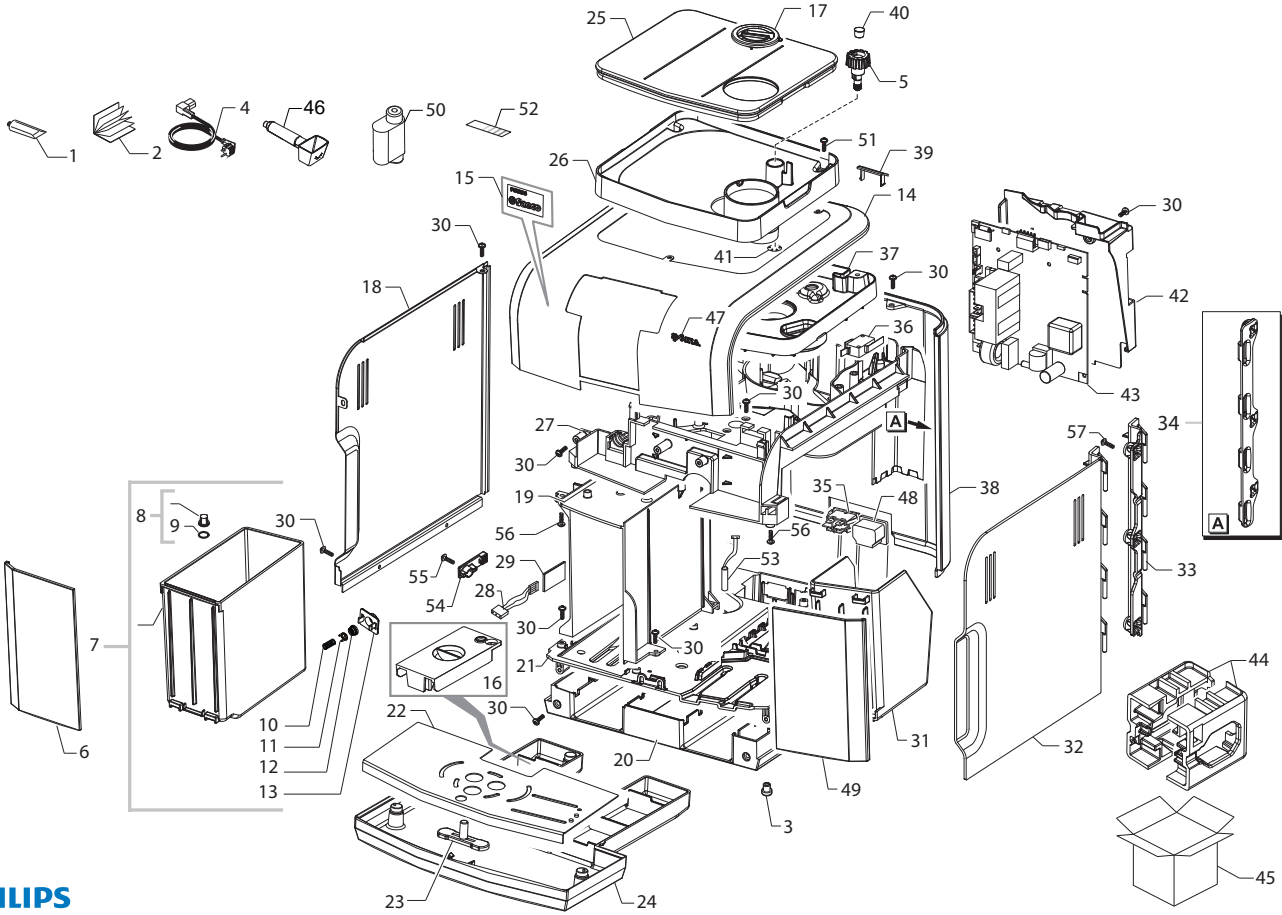
HD8838/01-02-03-04-06-08-09-11-31-32-41-43-47  
HD8839/11-32



Cod.10003326-27-10003560-98-10003762-68-69  
Cod.10003824-73-79-10003929-89-10004076-77

POS	CODE	12NC	DESCRIPTION	NOTE
01	11028379	996530070318	SAECO KLUBER TRIBOSTAR SIL 2 TUBE 5GR.	
02	15002361	996530067639	MANUAL PSA HD8838/HD8839 XSMC IT	
	15002362	996530067631	MANUAL PSA HD8838/HD8839 XSMC DE	
	15002363	996530067622	MANUAL PSA HD8838/HD8839 XSMC GB	
	15002364	996530067618	MANUAL PSA HD8838/HD8839 XSMC FR	
	15002365	996530067673	MANUAL PSA HD8838/HD8839 XSMC ES	
	15002366	996530067607	MANUAL PSA HD8838/HD8839 XSMC PT	
	15002367	996530067669	MANUAL PSA HD8838/HD8839 XSMC NL	
	15002368	996530067658	MANUAL PSA HD8838/HD8839 XSMC SV	
	15002369	996530067646	MANUAL PSA HD8838/HD8839 XSMC NO	
	15002370	996530067634	MANUAL PSA HD8838/HD8839 XSMC FI	
	15002371	996530067623	MANUAL PSA HD8838/HD8839 XSMC DA	
	15002372	996530067621	MANUAL PSA HD8838/HD8839 XSMC GR	
	15002373	996530067608	MANUAL PSA HD8838/HD8839 XSMC PL	
	15002374	996530067674	MANUAL PSA HD8838/HD8839 XSMC RU	
	15002375	996530067648	MANUAL PSA HD8838/HD8839 XSMC UA	
	15002376	996530067643	MANUAL PSA HD8838/HD8839 XSMC HU	
	15002377	996530067626	MANUAL PSA HD8838/HD8839 XSMC CS	
	15002378	996530067633	MANUAL PSA HD8838/HD8839 XSMC SK	
	15002379	996530067605	MANUAL PSA HD8838/HD8839 XSMC RO	
	15002380	996530067662	MANUAL PSA HD8838/HD8839 XSMC BG	
	15002381	996530067672	MANUAL PSA HD8838/HD8839 XSMC CR	
	15002382	996530067647	MANUAL PSA HD8838/HD8839 XSMC SL	
	15002383	996530067649	MANUAL PSA HD8838/HD8839 XSMC SR	
	15002705	996530068206	MANUAL PSA HD8838/HD8839 XSMC KOR	
	15002741	996530068203	MANUAL PSA HD8838/HD8839 XSMC SA	
	15002747	996530068202	MANUAL PSA HD8838/HD8839 XSMC CHN	
	15002748	996530068205	MANUAL PSA HD8838/HD8839 XSMC TWN	
	15003140	996530073106	MANUAL PSA HD8838/HD8839 XSMC PT/BRA	
03	147622800	996530016875	TRANSPARENT SILICONE FOOT	
04	183911050	996530025808	BLACK POWER CABLE SCHUKO L=1200	
	183930650	996530025858	POWER CABLE CH BLACK 3X1 H05VV-F L=1200	
	183940650	996530025872	BLACK POWER CABLE AUSTRALIA L=1200	
	11001985	996530001089	BLACK POWER CABLE KOREA L=1200	
	183970350	996530025882	BLACK POWER CABLE UK L=1200	
	183921950	996530025843	POWER CABLE SJT3 USA BLACK UL L=1200	
	11004246	996530002166	BLACK POWER CABLE TAIWAN HVCTF L=1200	

POS	CODE	12NC	DESCRIPTION	NOTE
04	17800019	996530009627	BLACK POWER CABLE BRAZIL L=1200	230V
	17800330	996530069926	BLACK POWER CABLE BRAZIL L=1200	120V
05	11013206	996530006689	BLACK GRIND.ADJUSTMENT KNOB XSM	
06	11013160	996530006666	SS WATER TANK COVER XSM ASSY.	
	11025269	996530067744	RED WATER TANK COVER XSM ASSY.	
07	11013093	996530006619	NAT/GREY WATER CONTAINER XSM ASSY.	
08	224640200	996530029115	WHITE WATER CONTAINER EXT.FILTER ASSY.	
09	140328461	996530013571	OR ORM 0190-10 EPDM	
10	11003672	996530001831	SS SPRING FOR WATER CONTAIN.VALVE P0049	
11	11003673	996530001832	GREY WATER CONTAINER VALVE INSERT P0049	
12	11003671	996530001829	TRANSP.VALVE FOR WATER CONTAINER P0049	
13	11001298	996530000733	BLACK LID FOR DUCKBILL VALVE P0049	
14	17000225	996530067655	SS UPPER CASING COVER XSMC ASSY.	
	11025816	996530068204	RED UPPER CASING COVER XSMC ASSY.	
15	11025026	996530068191	ADHES.SILVER PLATE LOGO PHILIPS-SAECO	
16	17000673	996530067663	BLACK DRIP TRAY COVER XSMC	
17	11013102	996530006624	NAT/GREY GROUND COFFEE HOPPER LID XSM	
18	11012727	996530006506	SS CASING LEFT SIDE XSM ASSY.	
	11013107	996530006626	BLACK CASING LEFT SIDE XSM	
	11025278	996530067728	RED CASING LEFT SIDE XSM ASSY.	
19	11012708	996530006489	BLACK CASING BOTTOM INSERT XSM	
20	11022419	996530007362	GMS CASING BOTTOM COVER XSM	
21	17000432	996530066739	BLACK CASING BOTTOM XSMC	
22	17001066	996530067659	SS GRATE FOR DRIP TRAY XSMC ASSY.	
23	11013184	996530006683	RED FLOAT FOR DRIP TRAY XSM	
24	11024405	996530067606	GMS DRIP TRAY XSMC ASSY.	
25	11012725	996530006505	NAT/GREY BEAN COFFEE CONTAINER LID XSM	
26	11012724	996530006504	NAT/GREY BEAN CONTAINER XSM	
27	11012642	996530006446	BLACK COFFEEGRINDER PLATE XSM	
28	11013709	996530006833	3POLES CONNECTOR WATER LEVEL XSM UL	
29	11003232	996530001522	AS.CPU+SW WATER LEVEL SENSOR V2	
30	12000450	996530007819	SCREW TCBR TORX 10 3.5X12 PLAST.ZN-N	
31	11012709	996530006491	BLACK DUMP BOX XSM	
32	11012716	996530006496	SS DOOR RIGHT SIDE XSM ASSY.	
	11013161	996530006667	BLACK DOOR RIGHT SIDE XSM ASSY.	
	11025279	996530067391	RED DOOR RIGHT SIDE XSM ASSY.	
33	11012713	996530006494	BLACK HINGE FOR DOOR RIGHT SIDE XSM	



PHILIPS

Saeco

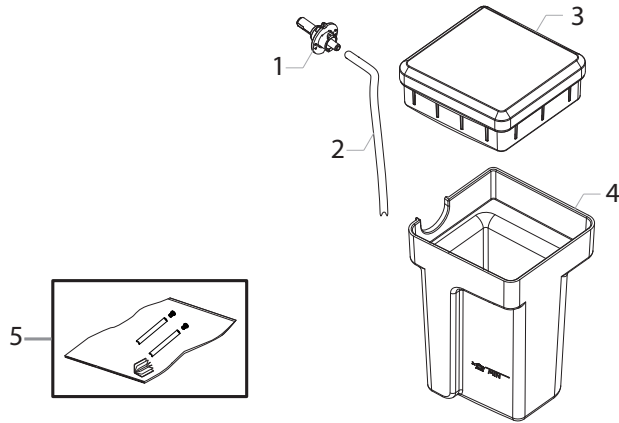
HD8838/01-02-03-04-06-08-09-11-31-32-41-43-47  
HD8839/11-32



Cod.10003326-27-10003560-98-10003762-68-69  
Cod.10003824-73-79-10003929-89-10004076-77

POS	CODE	12NC	DESCRIPTION	NOTE	POS	CODE	12NC	DESCRIPTION	NOTE
34	11012714	996530006495	BLACK HINGE FOR REAR CASING XSM						
35	NE03.038	996530058836	BIPOLAR SWITCH FUSIT C1250AR						
36	NE05.013	996530058847	MICROSWITCH SAIA XGK52-81-J23						
37	17000431	996530066738	COFFEE GRINDER SOUNDPROOFING COVER XSMC						
38	11013109	996530006628	BLACK REAR CASING+SS INSERT XSM ASSY.						
39	11013704	996530006832	TRANSP.COVER INFRAREDS ACCESS XSM						
40	149213000	996530018115	TRANSP.CAP FOR KNOBS BEAN CONTAINER						
41	120350604	996530010768	SHAFT 6 UNI 7434						
42	11012301	996530006364	BLACK PWR/CPU BOARD PROTECTION P0057						
43	11022890	996530067675	CPU+SW P0057-XSMC ASSY.	230V					
			<b>UP TO S.N. TU901108026188</b>						
	11026670	996530067858	AS.CPU+SW P0057-XSMC V3	230V					
			<b>FROM S.N. TU901108026189</b>						
	11026601	996530069762	AS.CPU+SW P0057-XSMC	120V					
44	20006893	996530067652	KIT PS-E INSERT FOR BOX XSMC						
45	13001270	996530067644	DISPLAY BOX XSMC PSA SYNTIA CAPP WE						
	13001271	996530067671	DISPLAY BOX XSMC PSA SYNTIA CAPP CEE						
	13001371	996530069764	DISPLAY BOX XSMC PSA SYNTIA CAPP USA						
46	146680850	996530016529	BLACK COFFEE MEASURE SMART						
47	11022065	996530007228	ADHES.SILVER PLATE LOGO SYNTIA						
48	12000280	996530007788	CUP SOCKET EN 60320 C 13						
	12001645	996530069782	CUP SOCKET V2 EN 60320 C 13	USA UL					
49	11021826	996530007155	SS DUMP BOX COVER XSM ASSY.						
	11025244	996530067732	RED DUMP BOX COVER XSM ASSY.						
50	21002050	996530071872	ACC PSA BRITA WATER FILTER 1UNIT						
	21002051	996530071783	ACC PSA MAVEA WATER FILTER 1UNIT	USA-BRASILE					
51	129912504	996530013147	SCREW TCBR TORX 10 3,5X14 PLAST.ZN-N						
52	0301.961	996530039604	STICKER FOR WATER HARDNESS TEST						
53	17800432	996530072785	2POLES CONNECT.SENSOR REED DOOR V2 G0053						
54	17000064	996530067437	BLK CAPACIT.SENSOR DEADLOCK INSERT XSM						
55	129913202	996530013156	SCREW TCB TORX 10 3X8 PLAST.ZN-B						
56	129912521	996530013148	SCREW TCB TORX 10 3,5X14 PLAST.SS						
57	12001728	996530070321	SCREW TCB TORX 10 3,5X12 PLAST.SS						





PHILIPS

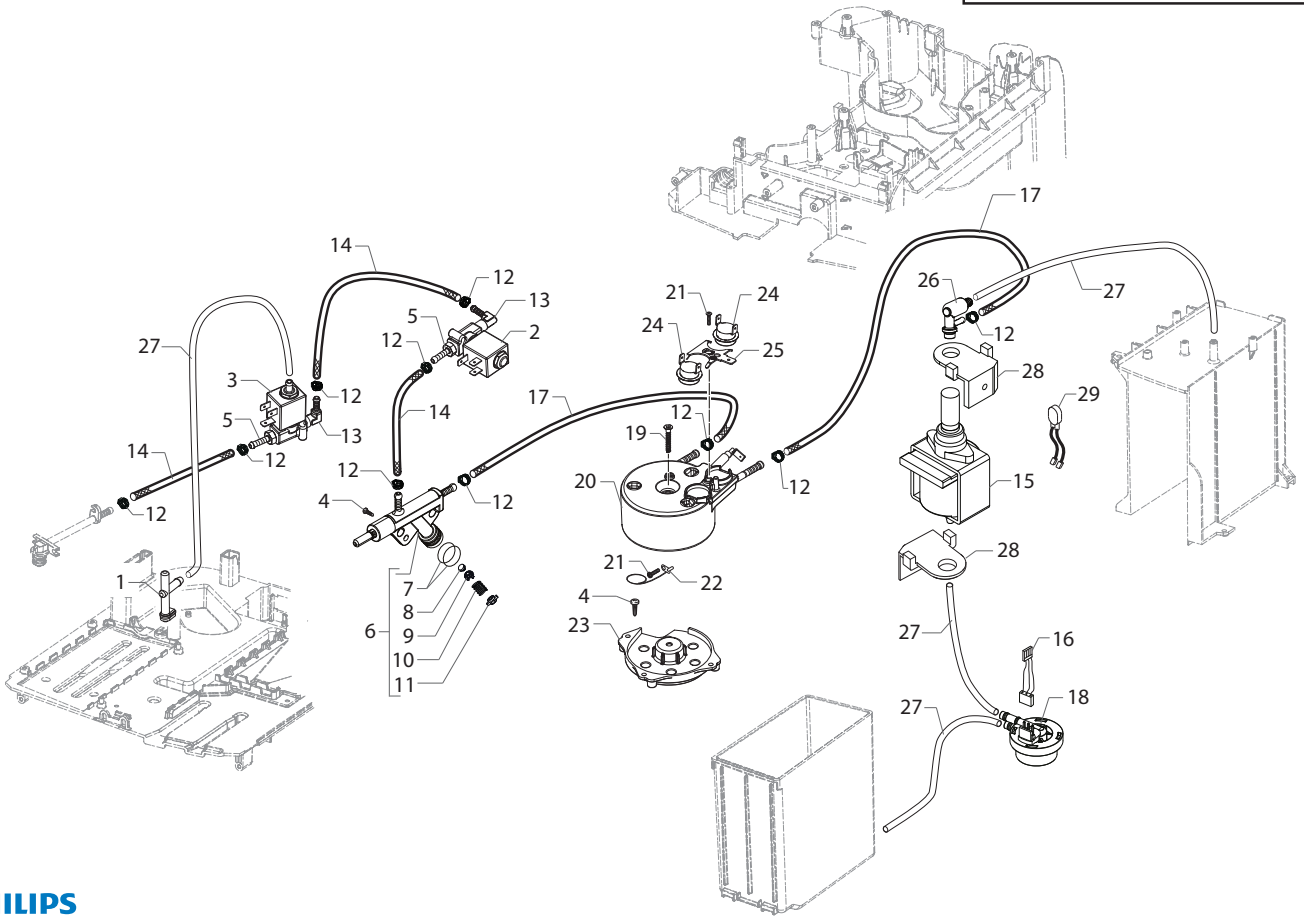
Saeco

HD8838/01-02-03-04-06-08-09-11-31-32-41-43-47  
HD8839/11-32



Cod.10003326-27-10003560-98-10003762-68-69  
Cod.10003824-73-79-10003929-89-10004076-77

POS	CODE	12NC	DESCRIPTION	NOTE	POS	CODE	12NC	DESCRIPTION	NOTE
01	17000300	996530009599	BLACK CARAFE INSERT XSMC						
02	11024528	996530067617	SILICONE TUBE 3,5X6 L=185 MM						
03	17000458	996530067635	BLACK CARAFE COVER XSMC						
04	17001868	996530072939	TRANSP.CARAFE V2 XSMC						
05	11028534	996530070326	PSA MILK ACCESSORY PACK ASSY.						



PHILIPS

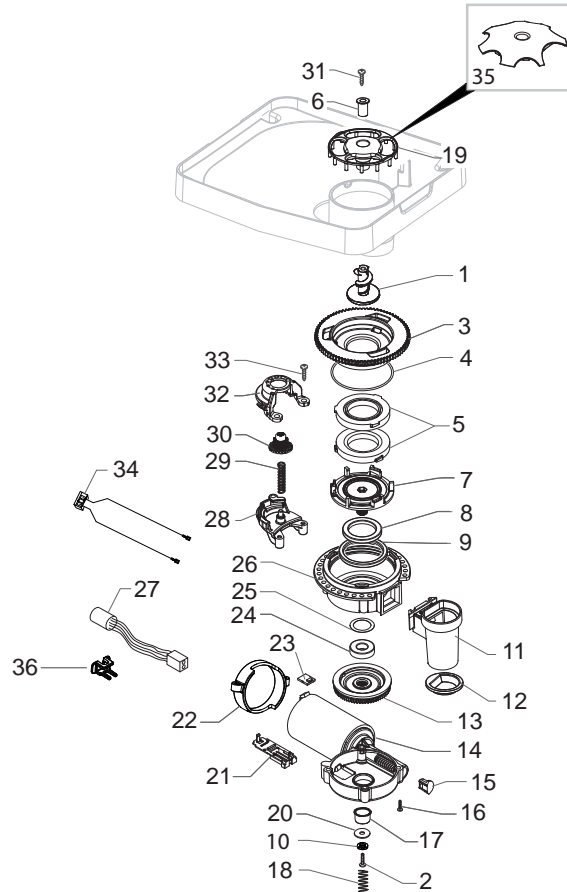
Saeco

HD8838/01-02-03-04-06-08-09-11-31-32-41-43-47  
HD8839/11-32



Cod.10003326-27-10003560-98-10003762-68-69  
Cod.10003824-73-79-10003929-89-10004076-77

POS	CODE	12NC	DESCRIPTION	NOTE	POS	CODE	12NC	DESCRIPTION	NOTE
01	17000980	996530067657	BLACK WATER DRAINAGE CONNECTOR XSMC						
02	11024038	996530067667	BRASS 2WAY EV 21JN1RRV20-XT+LBV05024CU						
03	11024039	996530067613	3WAY EV OT57 (31JN1XRV20-SXT+LBV05024CU)						
04	12000450	996530007819	SCREW TCBR TORX 10 3,5X12 PLAST.ZN-N						
05	11003348	996530001601	BRASS CONNECTOR FOR ALUM.BOILER						
06	11012381	996530006383	FLOW SELECTOR FAUCET V2 P0057						
07	12000893	996530007948	OR ORM 0120-20 BLACK EPDM						
08	11008104	996530004722	MUSHROOM VALVE FOR FLOW SELECTOR P0057						
09	11008105	996530004723	FLOW SELECTOR VALVE SUPPORT P0057						
10	11008077	996530004709	STEEL FLOW SELECTOR VALVE SPRING P0057						
11	11008106	996530004724	FLOW SELECTOR VALVE CAP P0057						
12	12000892	996530007947	OETIKER CLAMP D=9,5 16700004						
13	11024469	996530067632	L-F/BRASS CONNECTOR FOR BOILER AURA						
14	16000719	996530009548	BLK LINE 5X8,9 SILICONE TUBE	IN ROLL					
15	12000140	996530007753	ULKA PUMP EP5/S GW	230V-50HZ					
	12000182	996530007782	ULKA PUMP EP5/S GW	220V-60HZ					
	12000142	996530007754	ULKA PUMP EAP5/S	120V-60HZ					
16	11005948	996530003241	3POLES CONNECTOR FLOWMETER P0057						
17	16000380	996530009505	5X8,9 SILICONE TUBE	IN ROLL					
18	NV99.099	9965300059843	TURBINE D=1,2 932-8521/00 ASSY.						
19	12001369	996530008039	SCREW TSP TORX 10 5X35 PLAST.SS						
20	11013735	996530006841	SLIM TUB.BOILER ASSY.	230V 1300W					
	11023153	996530007586	SLIM TUB.BOILER ASSY.	120V 1300W					
21	12001715	996530069758	SCREW TCB TORX 20 M4X8 AUTOFORMING ZN-B						
22	190800100	996530026997	TEMPERATURE SENSOR NTC UL L=280MM						
23	11022791	996530007442	BLACK SLIM/EXSL TUB.BOILER SUPPORT						
24	12001033	996530007973	THERMOSTAT ONE SHOT 190°						
25	11001751	996530000997	TUB.BOILER V3 UPPER THERM.FIXING SPRING						
26	11004689	996530002484	TEA/BRASS SAFETY VALVE 16-18 BAR ASSY.						
27	JS01.022	996530057357	SILICONE TUBE 5X10 60SH I	N ROLL					
28	149205850	996530018056	BLACK TYPE ULKA PUMP W/BEVEL SUPPORT						
29	11009747	996530005496	2POLES CONNECTOR PUMP P0057 UL						
	11026683	996530069759	SLIM TUB.BOIL.STD C1 T190° 1300W 230V AS						
	11026684	996530069761	SLIM TUB.BOIL.STD C1 T190° 1300W 120V AS WITH PART.N°20-21-22-24-25						

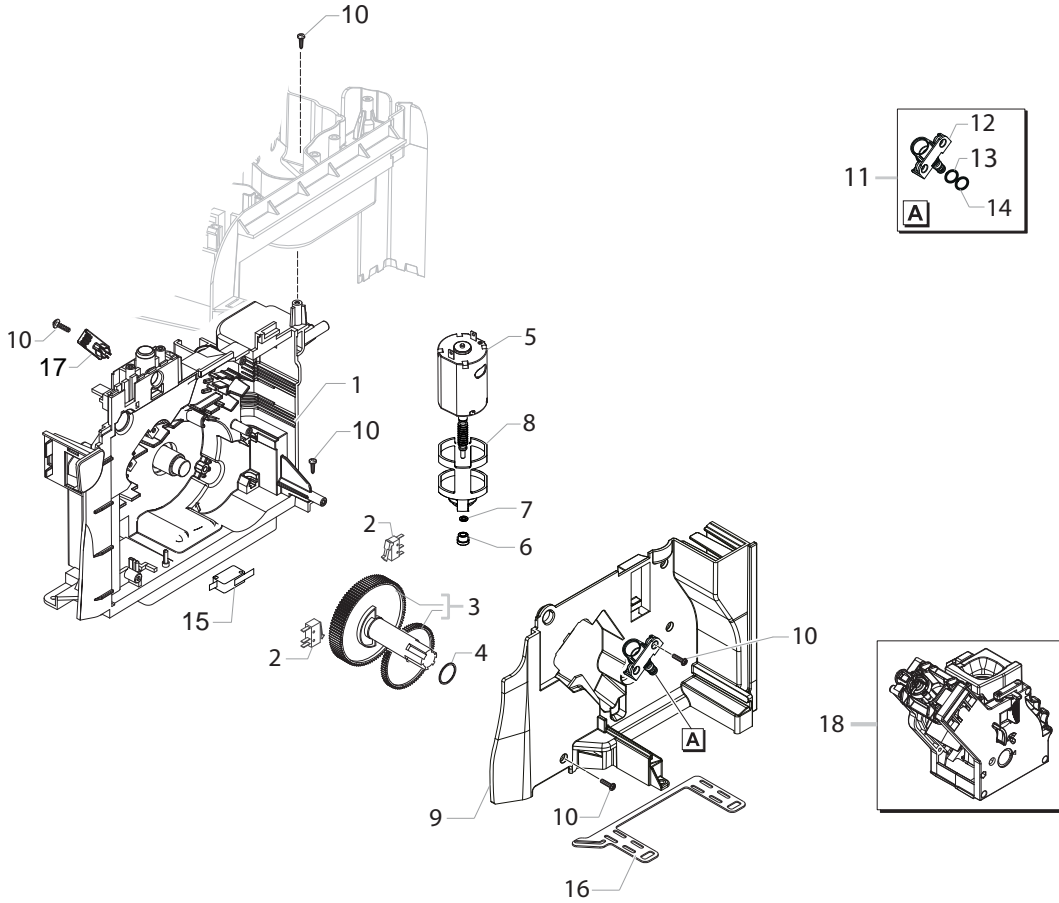


HD8838/01-02-03-04-06-08-09-11-31-32-41-43-47  
HD8839/11-32



Cod.10003326-27-10003560-98-10003762-68-69  
Cod.10003824-73-79-10003929-89-10004076-77

POS	CODE	12NC	DESCRIPTION	NOTE	POS	CODE	12NC	DESCRIPTION	NOTE
01	11010031	996530005586	TEA/ZAMA INCREASE SCREW GRINDER		36	17001921	996530072477	BLK WIRING FIX INSERT FOR GRINDER BOARD	
	11024208	996530066712	TEA SHORT ZAMA INCREASE SCREW GRINDER	USA UL		11006059	996530003327	GEN.MOTOR COF.GRINDER STD P0057 ASS	230V
02	129574802	996530012928	SCREW TCB TORX 20 M4X30 ZN-B			11024242	996530066713	GEN.MOTOR COF.GRINDER V3 P0057 ASSY	120V
03	149198250	996530017951	BLK UPPER COFFEEGRINDER GRINDER SUPPORT						
04	140328960	996530013577	OR ORM 0530-15 NBR FDA						
05	146520100	996530016342	BAKED CLAY GRINDER 48X28						
06	11012466	996530006412	BRASS BUSH BEAN CONT.FINGER PROTEC.P0057						
07	149198350	996530017952	BLK LOWER COFFEEGRINDER GRINDER SUPPORT						
08	123030300	996530011183	AXIAL BEARING EKKO 342.35252						
09	140360500	996530013597	FELT RING 45,4X39,4X4						
10	128310402	996530012341	GALV.WASHER UNI 8842 A4						
11	11026355	996530068049	BLK GROUND COFF.OUTLET CONVEYOR V4 ASSY.						
12	11030459	996530072511	GRY GROUND COFFEE CONT.LOWER SEAL SMART1						
13	226000300	996530029609	GEAR SX Z=38 FOR GRINDER MOTION ASSY.						
14	11000513	996530000317	MOTOR COFFEEGRINDER V3.1 ASSY.	230V					
	11000511	996530000315	MOTOR COFFEEGRINDER V3.1 ASSY.	120V					
15	149214800	996530018139	MC V3 MOD=1,25 WORM SCREW CENTRING CAP						
16	129661702	996530012992	SCREW TCB TORX 3,5X30 PLAST.ZN-B						
17	11002873	996530001389	INSULATOR BUSH FOR GRINDER MOTOR P124						
18	11000597	996530000376	COFFEE GRINDER SUPPORT SPRING P124						
19	11014285	996530007058	BLK V2 BEAN CONTAIN.FINGER PROTECT.P0057						
20	128381902	996530012375	STEEL FLAT WASHER DI=4,3 DE=14 SP=1,5						
21	149199050	996530017963	BLK SENSOR SUPPORT FOR COF.GRINDER MOTOR						
22	11000194	996530000115	BLACK COFFEEGRINDER MOTOR SUPPORT P124						
23	181540900	996530022784	ELECTR.BOARD WITH SENSOR HAL506 SF-K						
24	123030200	996530011182	RADIAL BEARING 61900.2RS1						
25	128381800	996530012374	STEEL CRINKLE WASHER 21,8X14X0,25						
26	142905450	996530015258	BLK UPPER BODY WITH COFFEE GROUND OUTLET						
27	11008871	996530005073	3 POLES CONNECTOR MC SENSOR S0053 UL						
28	11002613	996530001314	LOWER COFFEEGRINDER GEAR SUPPORT P124						
29	11002572	996530001308	COFFEEGRINDER REGULATION SPRING P124						
30	11003784	996530001907	COFFEE GRINDING ADJUSTMENT GEAR P0049						
31	U043.004	996530061808	ZN-B TCB SCREW M4X16						
32	11002508	996530001296	UPPER COFFEEGRINDER GEAR SUPPORT P124						
33	129914002	996530013165	SCREW TCB TORX 10 3,5X16 PLAST.ZN-B						
34	11008869	996530005071	2P.CONNECT.COFFEE GRINDER MOTOR S0053						
35	11022841	996530007463	TRANS.BEAN CONTAIN.FINGER PROTECT.XSM UL	USA UL					



PHILIPS

Saeco

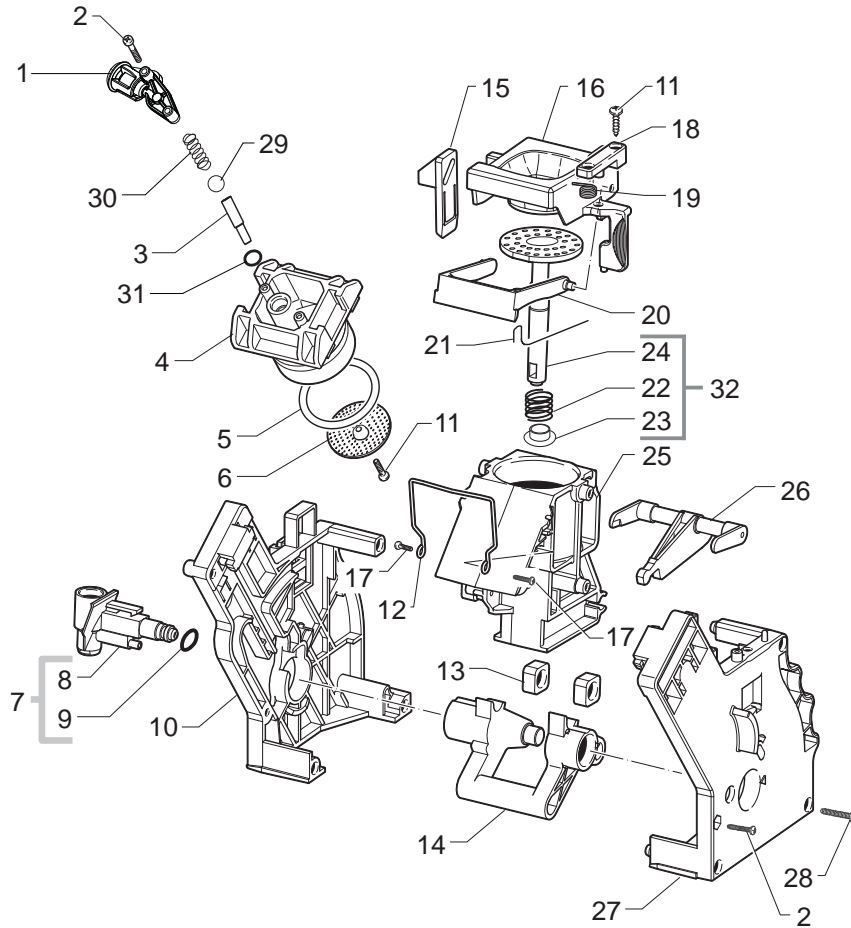
HD8838/01-02-03-04-06-08-09-11-31-32-41-43-47  
HD8839/11-32



Cod.10003326-27-10003560-98-10003762-68-69  
Cod.10003824-73-79-10003929-89-10004076-77

POS	CODE	12NC	DESCRIPTION	NOTE	POS	CODE	12NC	DESCRIPTION	NOTE
01	17000366	996530066736	BLK RATIOMOTOR MOUNTING PLATE XSMC ASSY.						
02	NE05.038	996530058869	MICROSWITCH SAIA XCG5-81-P5						
03	20000900	996530009913	SPARES KIT GEARS FOR RATIOMOTOR V2						
04	9161.132	996530050569	MYLAR WASHER FOR RATIOMOTOR						
05	11005214	996530002796	MOTOR FOR RATIOMOTOR P124 ASSY.						
06	9121.046	996530049898	BRONZE SINTERED BUSH FOR MOTOR RATIOMOT.						
07	148380200	996530017424	BAKELIZZATE WASHER D=5,5						
08	9121.044	996530049896	ANTIVIBRATION FOR MOTOR						
09	11003754	996530001899	BLK RATIOMOT.MOUNTING PLATE COVER P0057						
10	12001728	996530070321	SCREW TCBR TORX 10 3,5X12 PLAST.SS						
11	11013531	996530006805	PIN FOR FLOW SELECTOR FAUCET P0057 ASSY.						
12	11013530	996530006804	PIN FOR FLOW SELECTOR FAUCET V2 P0057						
13	NM01.035	996530059399	OR ORM 0090-20 SILICONE						
14	NM01.057	996530059419	OR ORM 0050-20 IN SILICONE						
15	12001644	996530072978	MICROSWITCH SEGNAL XGV3D/S10						
16	11013205	996530006688	BLACK SEAL FOR RATIOMOTOR PLATE XSM						
17	17000064	996530067437	BLK CAPACIT.SENSOR DEADLOCK INSERT XSM						
18	11012382	996530006384	BLACK BREW UNIT 8GR.5BAR P0057						
			<b>SEE EXP.CODE E90067 NEXT PAGE</b>						





Cod. 11012382

POS	CODE	12NC	DESCRIPTION	NOTE	POS	CODE	12NC	DESCRIPTION	NOTE
01	11009362	996530005415	BLK COF.OUTLET SLEEVE BREW UNIT S0053 AS						
02	12000550	996530007838	SCREW TCB TORX 10 3X25 PLAST.SS						
03	11009276	996530005372	BLK COUNTER PISTON TUBE BREW UNIT S0053						
04	11001840	996530001046	BLACK COUNTER PISTON BREW UNIT 8GR.P124						
05	NM01.044	996530059406	OR ORM 0320-40 SILICONE PTFE/FDA						
06	9161.268	996530050709	PERCOLATOR DE=35,8 ELFO						
07	20000440	996530009825	BLACK WATER INLET SLEEVE BREW UNIT ASSY.						
08	9161.064.050	996530050488	BLACK WATER INLET SLEEVE BREW UNIT ROYAL						
09	NM02.007	996530059441	OR 2025 IN TERMOIL						
10	9161.375.050	996530050832	BLACK BREW UNIT REAR PLATE SMART						
11	12000895	996530007951	SCREW TSP TORX 10 3X10 PLAST.SS						
12	11001556	996530000898	SS BREW UNIT SPRING H=49 SMART						
13	9161.094.050	996530050539	BLACK BREW UNIT DRILLED BLOCK						
14	9161.066.050	996530050492	BLACK BREW UNIT ELBOW SHAFT M5000						
15	9161.373.050	996530050827	BLACK BREW UNIT COUPLING PLATE SMART						
16	149261350	996530018241	BLACK HOPPER DOSER BREW UNIT SMART1						
17	129912521	996530013148	SCREW TCB TORX 10 3,5X14 PLAST.SS						
18	9161.374.050	996530050829	BLK BREWUNIT HOPPER BLOCKING PLATE SMART						
19	9161.378	996530050838	SS HOPPER SPRING FOR BREW UNIT SMART						
20	11004161	996530002096	BLACK SCRAPER FOR BREW UNIT M5000						
21	9161.046	996530050455	SS SCRAPER SPRING FOR BREW UNIT						
22	9161.198	996530050627	SS.8GR.BREW UNIT PISTON SPRING						
23	9161.191	996530050618	WHITE 8GR.-12GR.BREW UNIT PISTON BUSH						
24	11003077	996530001451	BLK BREW UNIT INTEGRAL PISTON 8GR.ASSY.						
25	11003075	996530001448	BLACK COFFEE CONTAINER BREW UNIT P124						
26	11003078	996530001452	BLACK CONNECTING ROD BREW UNIT 8GR.						
27	11005920	996530003228	BLACK BREW UNIT FRONT PLATE S/SCR.SMART						
28	12000897	996530007953	SCREW TCB TORX 10 3,5X20 PLAST.SS						
29	9991.168	996530051874	GLASS SPHERE D.5 MM						
30	11012095	996530006305	SS COFFEE UNIT CONTERPISTON SPRING S0053						
31	140328761	996530013575	OR ORM 0060-15 TERMOIL						
32	11023086	996530007577	BLK 8GR.BREW UNIT NTEGR.PISTON GEN.ASSY.						
	11012382	996530006384	BLACK BREW UNIT 8GR.5BAR P0057						



BLACK BREW UNIT 8 GR.5 BAR