

Service Service Service



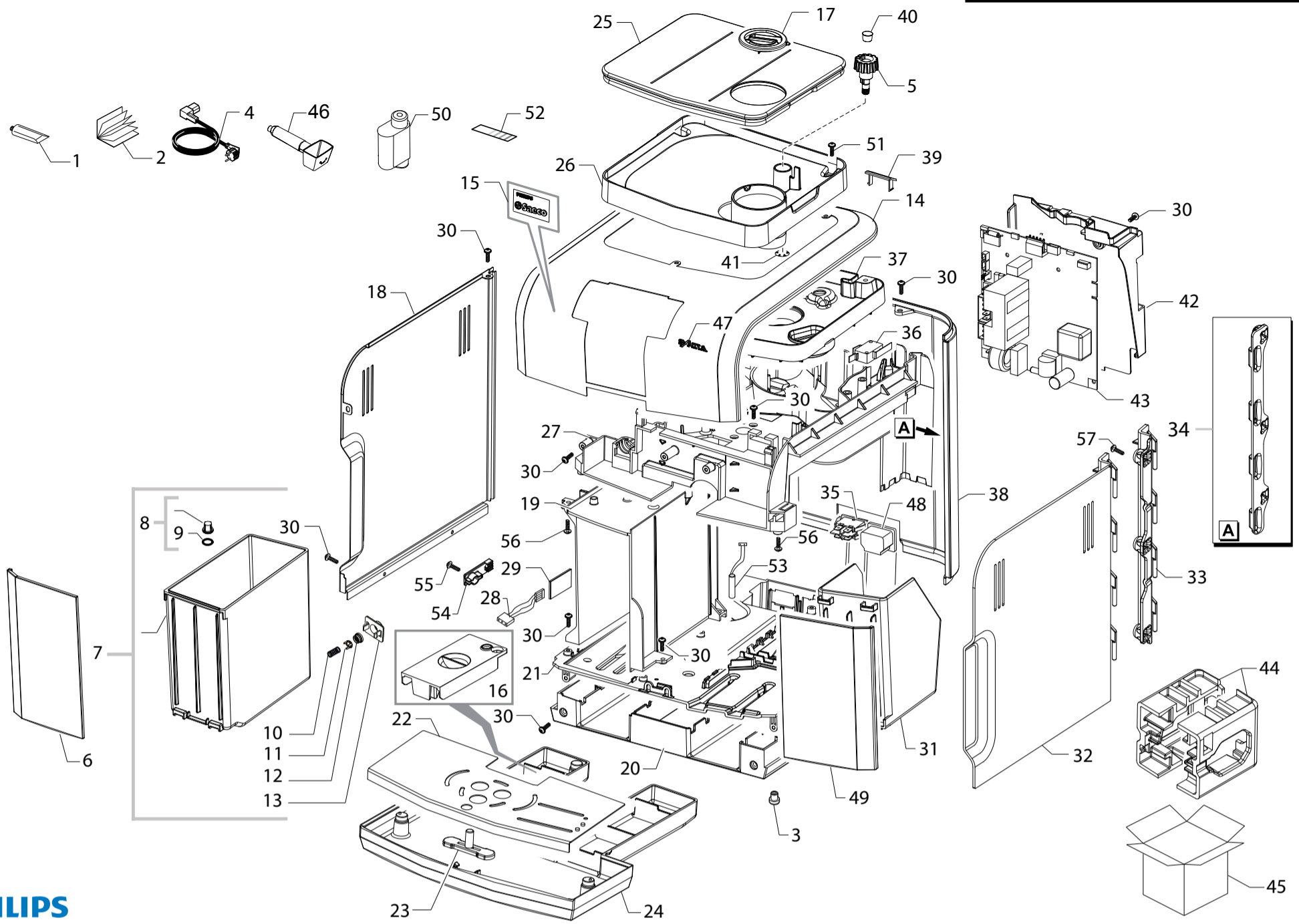
Exploded View

Contents

Table

| | |
|------------------------------------|-----|
| External / Electronical components | 1/7 |
| Front panel / User interface | 2/7 |
| Milk carafe | 3/7 |
| Water system | 4/7 |
| Coffee grinder assembly | 5/7 |
| Gear motor | 6/7 |
| Brewing unit | 7/7 |

All rights reserved. No part of this publication may be reproduced, stored in a retrieval system or transmitted, in any form or by any means, electronic, mechanical, photocopying, or otherwise without the prior permission of Saeco.



PHILIPS

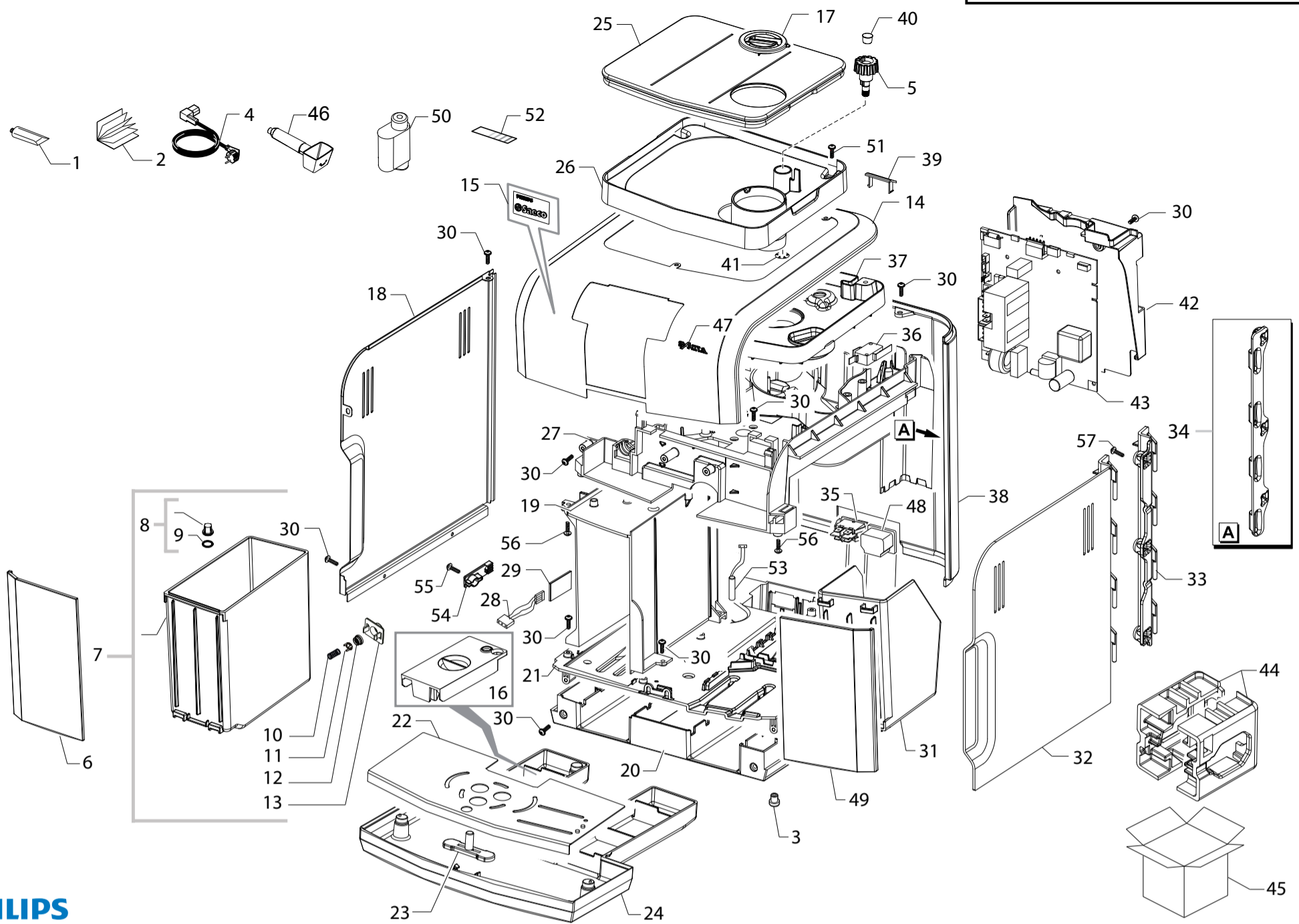
Saeco

HD8838/01-02-03-04-06-08-09-31
HD8838/32-41-43-47-HD8839/11-32



Cod.10003326-3598-3327-3762-3873-68-3560-3824
Cod.10003929-4076-77-3879-3769-3989

| POS | CODE | 12NC | DESCRIPTION | NOTE | POS | CODE | 12NC | DESCRIPTION | NOTE |
|-----|-----------|--------------|---|------|-----|-----------|--------------|---|------|
| 01 | 11028379 | 996530070318 | SAECO KLUBER TRIBOSTAR SIL 2 TUBE 5GR. | | 04 | 17800019 | 996530009627 | BLACK POWER CABLE BRAZIL L=1200 | 230V |
| 02 | 15002361 | 996530067639 | MANUAL PSA HD8838/HD8839 XSMC IT | | | 17800330 | 996530069926 | BLACK POWER CABLE BRAZIL L=1200 | 120V |
| | 15002362 | 996530067631 | MANUAL PSA HD8838/HD8839 XSMC DE | | 05 | 11013206 | 996530006689 | BLACK GRIND.ADJUSTMENT KNOB XSM | |
| | 15002363 | 996530067622 | MANUAL PSA HD8838/HD8839 XSMC GB | | 06 | 11013160 | 996530006666 | SS WATER TANK COVER XSM ASSY. | |
| | 15002364 | 996530067618 | MANUAL PSA HD8838/HD8839 XSMC FR | | | 11025269 | 996530067744 | RED WATER TANK COVER XSM ASSY. | |
| | 15002365 | 996530067673 | MANUAL PSA HD8838/HD8839 XSMC ES | | 07 | 11013093 | 996530006619 | NAT/GREY WATER CONTAINER XSM ASSY. | |
| | 15002366 | 996530067607 | MANUAL PSA HD8838/HD8839 XSMC PT | | 08 | 224640200 | 996530029115 | WHITE WATER CONTAINER EXT.FILTER ASSY. | |
| | 15002367 | 996530067669 | MANUAL PSA HD8838/HD8839 XSMC NL | | 09 | 140328461 | 996530013571 | OR ORM 0190-10 EPDM | |
| | 15002368 | 996530067658 | MANUAL PSA HD8838/HD8839 XSMC SV | | 10 | 11003672 | 996530001831 | SS SPRING FOR WATER CONTAIN.VALVE P0049 | |
| | 15002369 | 996530067646 | MANUAL PSA HD8838/HD8839 XSMC NO | | 11 | 11003673 | 996530001832 | GREY WATER CONTAINER VALVE INSERT P0049 | |
| | 15002370 | 996530067634 | MANUAL PSA HD8838/HD8839 XSMC FI | | 12 | 11003671 | 996530001829 | TRANSP.VALVE FOR WATER CONTAINER P0049 | |
| | 15002371 | 996530067623 | MANUAL PSA HD8838/HD8839 XSMC DA | | 13 | 11001298 | 996530000733 | BLACK LID FOR DUCKBILL VALVE P0049 | |
| | 15002372 | 996530067621 | MANUAL PSA HD8838/HD8839 XSMC GR | | 14 | 17000225 | 996530067655 | SS UPPER CASING COVER XSMC ASSY. | |
| | 15002373 | 996530067608 | MANUAL PSA HD8838/HD8839 XSMC PL | | | 11025816 | 996530068204 | RED UPPER CASING COVER XSMC ASSY. | |
| | 15002374 | 996530067674 | MANUAL PSA HD8838/HD8839 XSMC RU | | 15 | 11030768 | 996530072703 | ADHES.SILVER PLATE LOGO SAECO NPR | |
| | 15002375 | 996530067648 | MANUAL PSA HD8838/HD8839 XSMC UA | | 16 | 17000673 | 996530067663 | BLACK DRIP TRAY COVER XSMC | |
| | 15002376 | 996530067643 | MANUAL PSA HD8838/HD8839 XSMC HU | | 17 | 11013102 | 996530006624 | NAT/GREY GROUND COFFEE HOPPER LID XSM | |
| | 15002377 | 996530067626 | MANUAL PSA HD8838/HD8839 XSMC CS | | 18 | 11012727 | 996530006506 | SS CASING LEFT SIDE XSM ASSY. | |
| | 15002378 | 996530067633 | MANUAL PSA HD8838/HD8839 XSMC SK | | | 11013107 | 996530006626 | BLACK CASING LEFT SIDE XSM | |
| | 15002379 | 996530067605 | MANUAL PSA HD8838/HD8839 XSMC RO | | | 11025278 | 996530067728 | RED CASING LEFT SIDE XSM ASSY. | |
| | 15002380 | 996530067662 | MANUAL PSA HD8838/HD8839 XSMC BG | | 19 | 11012708 | 996530006489 | BLACK CASING BOTTOM INSERT XSM | |
| | 15002381 | 996530067672 | MANUAL PSA HD8838/HD8839 XSMC CR | | 20 | 11012681 | 996530006464 | BLACK CASING BOTTOM COVER XSM | |
| | 15002382 | 996530067647 | MANUAL PSA HD8838/HD8839 XSMC SL | | 21 | 17000432 | 996530066739 | BLACK CASING BOTTOM XSMC | |
| | 15002383 | 996530067649 | MANUAL PSA HD8838/HD8839 XSMC SR | | 22 | 17001066 | 996530067659 | SS GRATE FOR DRIP TRAY XSMC ASSY. | |
| | 15002705 | 996530068206 | MANUAL PSA HD8838/HD8839 XSMC KOR | | 23 | 11013184 | 996530006683 | RED FLOAT FOR DRIP TRAY XSM | |
| | 15002741 | 996530068203 | MANUAL PSA HD8838/HD8839 XSMC SA | | 24 | 17000252 | 996530070429 | BLACK DRIP TRAY XSMC ASSY. | |
| | 15002747 | 996530068202 | MANUAL PSA HD8838/HD8839 XSMC CHN | | 25 | 11012725 | 996530006505 | NAT/GREY BEAN COFFEE CONTAINER LID XSM | |
| | 15002748 | 996530068205 | MANUAL PSA HD8838/HD8839 XSMC TWN | | 26 | 11012724 | 996530006504 | NAT/GREY BEAN CONTAINER XSM | |
| | 15003140 | 996530073106 | MANUAL PSA HD8838/HD8839 XSMC PT/BRA | | 27 | 11012642 | 996530006446 | BLACK COFFEEGRINDER PLATE XSM | |
| 03 | 147622800 | 996530016875 | TRANSPARENT SILICONE FOOT | | 28 | 11013709 | 996530006833 | 3POLES CONNECTOR WATER LEVEL XSM UL | |
| 04 | 183911050 | 996530025808 | BLACK POWER CABLE SCHUKO L=1200 | | 29 | 11003232 | 996530001522 | AS.CPU+SW WATER LEVEL SENSOR V2 | |
| | 183930650 | 996530025858 | POWER CABLE CH BLACK 3X1 H05VV-F L=1200 | | 30 | 12000450 | 996530007819 | SCREW TCBR TORX 10 3,5X12 PLAST.ZN-N | |
| | 183940650 | 996530025872 | BLACK POWER CABLE AUSTRALIA L=1200 | | 31 | 11012709 | 996530006491 | BLACK DUMP BOX XSM | |
| | 11001985 | 996530001089 | BLACK POWER CABLE KOREA L=1200 | | 32 | 11012716 | 996530006496 | SS DOOR RIGHT SIDE XSM ASSY. | |
| | 183970350 | 996530025882 | BLACK POWER CABLE UK L=1200 | | | 11013161 | 996530006667 | BLACK DOOR RIGHT SIDE XSM ASSY. | |
| | 183921950 | 996530025843 | POWER CABLE SJT3 USA BLACK UL L=1200 | | | 11025279 | 996530067391 | RED DOOR RIGHT SIDE XSM ASSY. | |
| | 11004246 | 996530002166 | BLACK POWER CABLE TAIWAN HVCTF L=1200 | | 33 | 11012713 | 996530006494 | BLACK HINGE FOR DOOR RIGHT SIDE XSM | |



PHILIPS

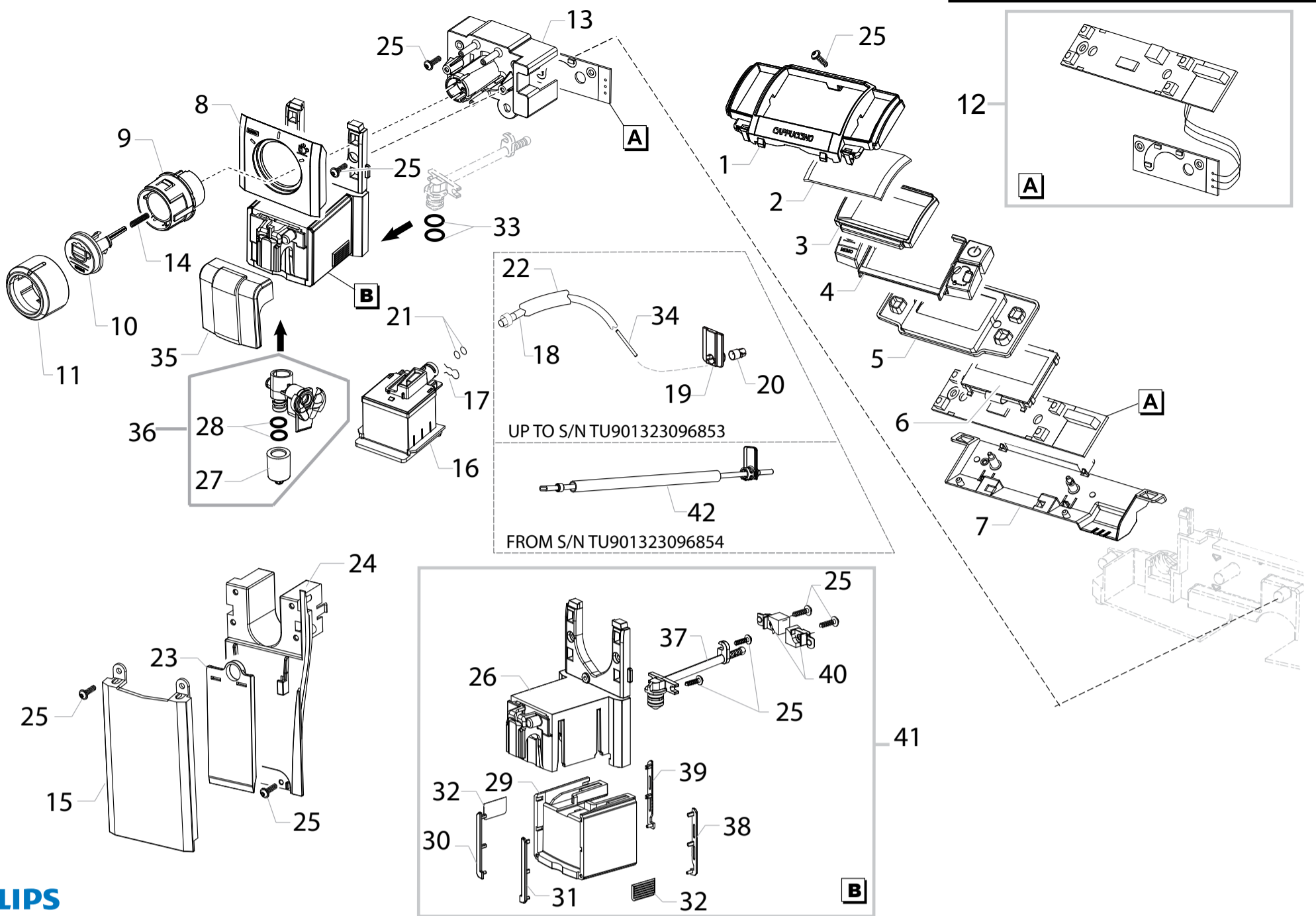
Saeco

HD8838/01-02-03-04-06-08-09-31
HD8838/32-41-43-47-HD8839/11-32



Cod.10003326-3598-3327-3762-3873-68-3560-3824
Cod.10003929-4076-77-3879-3769-3989

| POS | CODE | 12NC | DESCRIPTION | NOTE | POS | CODE | 12NC | DESCRIPTION | NOTE |
|-----|-----------|--------------|--|-------------|-----|------|------|-------------|------|
| 34 | 11012714 | 996530006495 | BLACK HINGE FOR REAR CASING XSM | | | | | | |
| 35 | NE03.038 | 996530058836 | BIPOLAR SWITCH FUSIT C1250AR | | | | | | |
| 36 | NE05.013 | 996530058847 | MICROSWITCH SAIA XGK52-81-J23 | | | | | | |
| 37 | 17000431 | 996530066738 | COFFEE GRINDER SOUNDPROOFING COVER XSMC | | | | | | |
| 38 | 11013109 | 996530006628 | BLACK REAR CASING+SS INSERT XSM ASSY. | | | | | | |
| 39 | 11013704 | 996530006832 | TRANSP. COVER INFRAREDS ACCESS XSM | | | | | | |
| 40 | 149213000 | 996530018115 | TRANSP. CAP FOR KNOBS BEAN CONTAINER | | | | | | |
| 41 | 120350604 | 996530010768 | SHAFT 6 UNI 7434 | | | | | | |
| 42 | 11012301 | 996530006364 | BLACK PWR/CPU BOARD PROTECTION P0057 | | | | | | |
| 43 | 11022890 | 996530067675 | CPU+SW P0057-XSMC ASSY. | 230V | | | | | |
| | | | UP TO S.N. TU901108026188 | | | | | | |
| | 11026670 | 996530067858 | AS.CPU+SW P0057-XSMC V3 | 230V | | | | | |
| | | | FROM S.N. TU901108026189 | | | | | | |
| | 11026601 | 996530069762 | AS.CPU+SW P0057-XSMC | 120V | | | | | |
| 44 | 20006893 | 996530067652 | KIT PS-E INSERT FOR BOX XSMC | | | | | | |
| 45 | 13001270 | 996530067644 | DISPLAY BOX XSMC PSA SYNTIA CAPP WE | | | | | | |
| | 13001271 | 996530067671 | DISPLAY BOX XSMC PSA SYNTIA CAPP CEE | | | | | | |
| | 13001371 | 996530069764 | DISPLAY BOX XSMC PSA SYNTIA CAPP USA | | | | | | |
| 46 | 146680850 | 996530016529 | BLACK COFFEE MEASURE SMART | | | | | | |
| 47 | 11022065 | 996530007228 | ADHES.SILVER PLATE LOGO SYNTIA | | | | | | |
| 48 | 12001883 | 996530072437 | CUP SOCKET V3 EN 60320 C 13 | | | | | | |
| | 12001645 | 996530069782 | CUP SOCKET V2 EN 60320 C 13 | USA UL | | | | | |
| 49 | 11021826 | 996530007155 | SS DUMP BOX COVER XSM ASSY. | | | | | | |
| | 11025244 | 996530067732 | RED DUMP BOX COVER XSM ASSY. | | | | | | |
| 50 | 21002050 | 996530071872 | ACC PSA BRITA WATER FILTER 1UNIT | | | | | | |
| | 21002051 | 996530071783 | ACC PSA MAVEA WATER FILTER 1UNIT | USA-BRASILE | | | | | |
| 51 | 129912504 | 996530013147 | SCREW TCB TORX 10 3,5X14 PLAST.ZN-N | | | | | | |
| 52 | 0301.961 | 996530039604 | STICKER FOR WATER HARDNESS TEST | | | | | | |
| 53 | 17800432 | 996530072785 | 2POLES CONNECT.SENSOR REED DOOR V2 G0053 | | | | | | |
| 54 | 17000064 | 996530067437 | BLK CAPACIT.SENSOR DEADLOCK INSERT XSM | | | | | | |
| 55 | 129913202 | 996530013156 | SCREW TCB TORX 10 3X8 PLAST.ZN-B | | | | | | |
| 56 | 129912521 | 996530013148 | SCREW TCB TORX 10 3,5X14 PLAST.SS | | | | | | |
| 57 | 12001728 | 996530070321 | SCREW TCB TORX 10 3,5X12 PLAST.SS | | | | | | |



PHILIPS

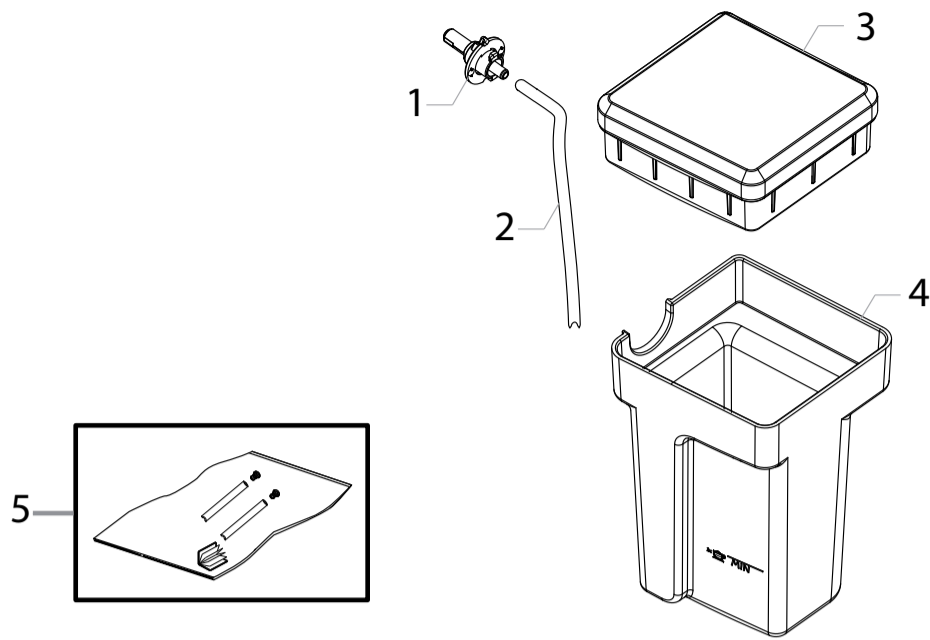
Saeco

HD8838/01-02-03-04-06-08-09-31
HD8838/32-41-43-47-HD8839/11-32



Cod.10003326-3598-3327-3762-3873-68-3560-3824
Cod.10003929-4076-77-3879-3769-3989

| POS | CODE | 12NC | DESCRIPTION | NOTE | POS | CODE | 12NC | DESCRIPTION | NOTE |
|-----|-----------|--------------|--|---|-----|----------|--------------|--|----------|
| 01 | 17000388 | 996530067637 | CHROM.TOUCH PANEL COVER S/SCR. XSMC | | 33 | NM02.029 | 996530059462 | OR ORM 0080-20 EPDM FDA | |
| 02 | 17000480 | 996530067723 | TRANSP.GLASS V2 FOR DISPLAY XSM/H | | 34 | 17000266 | 996530071774 | SS.L=22,6MM INT.BUSH FOR TEFLON TUBE D4 | |
| 03 | 11012700 | 996530006482 | BLACK DISPLAY FRAME XSM/H | | 35 | 17000217 | 996530067665 | CHROM.CAPPUCCINATORE COVER XSMC ASSY. | |
| 04 | 11024490 | 996530067627 | CHROM.TOUCH PANEL S/SCR.XSMC | | 36 | 17000310 | 996530009602 | DIFFUSER XSMC ASSY. | COMPLETE |
| 05 | 11012698 | 996530006479 | BLACK DISPLAY SEAL XSM/H | | 37 | 17000311 | 996530009603 | DIFFUSER STEAM OUTPUT CONNECT.XSMC ASSY. | COMPLETE |
| 06 | 20006981 | 996530069929 | KIT SPAR.CPU+SW W/DISPL.P0057-XSMC 230V | OR ORDER DISPLAY 12001612 AND UPDATE SW (V.05.12.04) IN SSC | 38 | 17000321 | 996530067636 | BLK COFF.DISPENS.LEFT REAR INSERT XSMC | |
| | | | UP TO S/N TU901108026188 | | 39 | 17000322 | 996530067629 | BLK COFF.DISPENS.RIGHT REAR INSERT XSMC | |
| | | | FROM S/N TU901108026189 | | 40 | 17000323 | 996530067642 | BLK COF.DISPENSER MOBILE PART SLIDE XSMC | |
| 07 | 11012699 | 996530006481 | BLACK DISPLAY SUPPORT XSM/H | | 41 | 20006932 | 996530067666 | SPARES KIT CHROM.COFFEE DISPENSER XSMC | COMPLETE |
| 08 | 17000306 | 996530067661 | CHROM.CAPPUC.COVER FRONT PLATE S/SC.XSMC | | 42 | 11031203 | 996530073357 | TEFL.TUBE 2X4 L=235+PLATE+2BUSH NPR ASSY | |
| 09 | 17000243 | 996530067609 | BLACK CONTROL KNOB XSMC ASSY. | | | | | FROM S/N TU901323096854 | |
| 10 | 17000254 | 996530067628 | CHROM.CAPPUCCINO BUTTON S/SCR.XSMC ASSY. | | | | | | |
| 11 | 11024190 | 996530067641 | CHROM.CONTROL KNOB COVER XSMC | | | | | | |
| 12 | 11023317 | 996530067619 | INTERFACE DISPL.BOARDS+UL CABL.XSMC ASSY | | | | | | |
| 13 | 17000301 | 996530067611 | BLACK KNOB ELECTR.BOARD SUPPORT XSMC | | | | | | |
| 14 | 11003672 | 996530001831 | SS SPRING FOR WATER CONTAIN.VALVE P0049 | | | | | | |
| 15 | 11013096 | 996530006621 | CHROM.FRONT PLATE XSM | | | | | | |
| 16 | 17000316 | 996530067668 | BLACK COFFEE DISPENSER XSMC ASSY. | | | | | | |
| 17 | 9011.144 | 996530048885 | SS FORK FOR TUBE D=4 | | | | | | |
| 18 | 11004132 | 996530002073 | TEFLON TUBE 2X4 L=250 MM ASSY. | | | | | | |
| 19 | 11005100 | 996530002748 | PLATE FOR BUSH TEFLON TUBE 2X4 P124 | | | | | | |
| 20 | 11005101 | 996530002749 | BLACK BUSH FOR TEFLON TUBE 2X4 P124 | | | | | | |
| 21 | 140328059 | 996530013564 | OR 2015 SILICONE PTFE/FDA | | | | | | |
| 22 | 149361200 | 996530018278 | BLACK SILICONE TUBE 7,5X9,3 | IN ROLL | | | | | |
| 23 | 17000308 | 996530067624 | BLK COFF.DISPENSER MOBILE PART SUPP.XSMC | | | | | | |
| 24 | 11012707 | 996530006488 | BLACK FRONT PANEL SUPPORT XSM | | | | | | |
| 25 | 12000450 | 996530007819 | SCREW TCBR TORX 10 3,5X12 PLAST.ZN-N | | | | | | |
| 26 | 11023638 | 996530067615 | CHROM.COFFEE DISPENSER SUPPORT XSMC | | | | | | |
| 27 | 17000309 | 996530009601 | DIFFUSER XSMC | | | | | | |
| 28 | 12001520 | 996530067612 | OR ORM 0060-20 EPDM | | | | | | |
| 29 | 11023626 | 996530067638 | CHROM.COFFEE DISPENSER MOBILE PART XSMC | | | | | | |
| 30 | 17000414 | 996530067625 | BLK COFF.DISPENS.LEFT FRONT INSERT XSMC | | | | | | |
| 31 | 17000413 | 996530067651 | BLK COFF.DISPENS.RIGHT FRONT INSERT XSMC | | | | | | |
| 32 | 11021751 | 996530007132 | ADHES.CHROM.PLATE FOR COFF.DISPENSER XSM | | | | | | |



PHILIPS

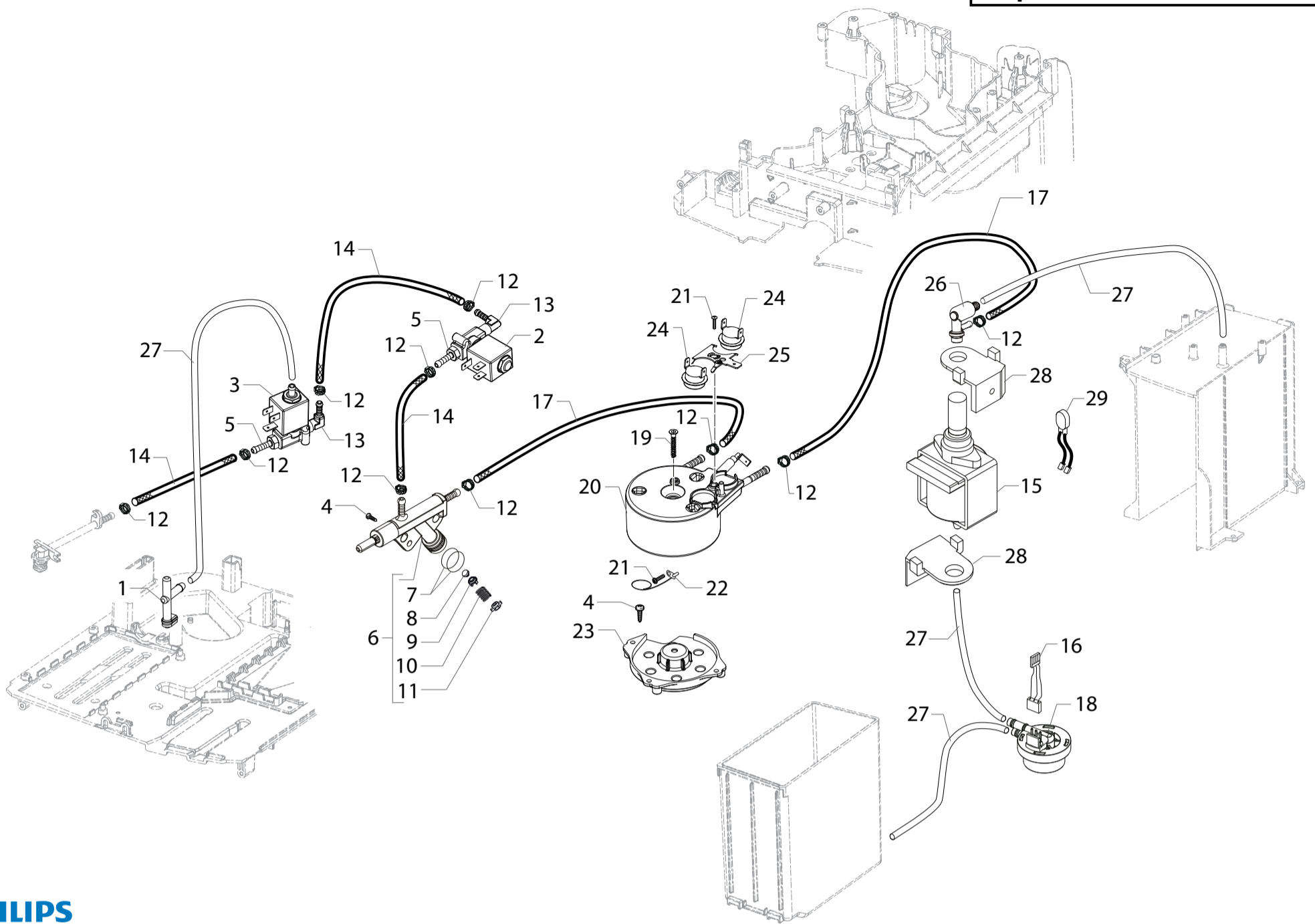
Saeco

HD8838/01-02-03-04-06-08-09-31
HD8838/32-41-43-47-HD8839/11-32



Cod.10003326-3598-3327-3762-3873-68-3560-3824
Cod.10003929-4076-77-3879-3769-3989

| POS | CODE | 12NC | DESCRIPTION | NOTE | POS | CODE | 12NC | DESCRIPTION | NOTE |
|-----|----------|--------------|-------------------------------|------|-----|------|------|-------------|------|
| 01 | 17000300 | 996530009599 | BLACK CARAFE INSERT XSMC | | | | | | |
| 02 | 11024528 | 996530067617 | SILICONE TUBE 3,5X6 L=185 MM | | | | | | |
| 03 | 17000458 | 996530067635 | BLACK CARAFE COVER XSMC | | | | | | |
| 04 | 17001868 | 996530072939 | TRANSP.CARAFE V2 XSMC | | | | | | |
| 05 | 11028534 | 996530070326 | PSA MILK ACCESSORY PACK ASSY. | | | | | | |



PHILIPS

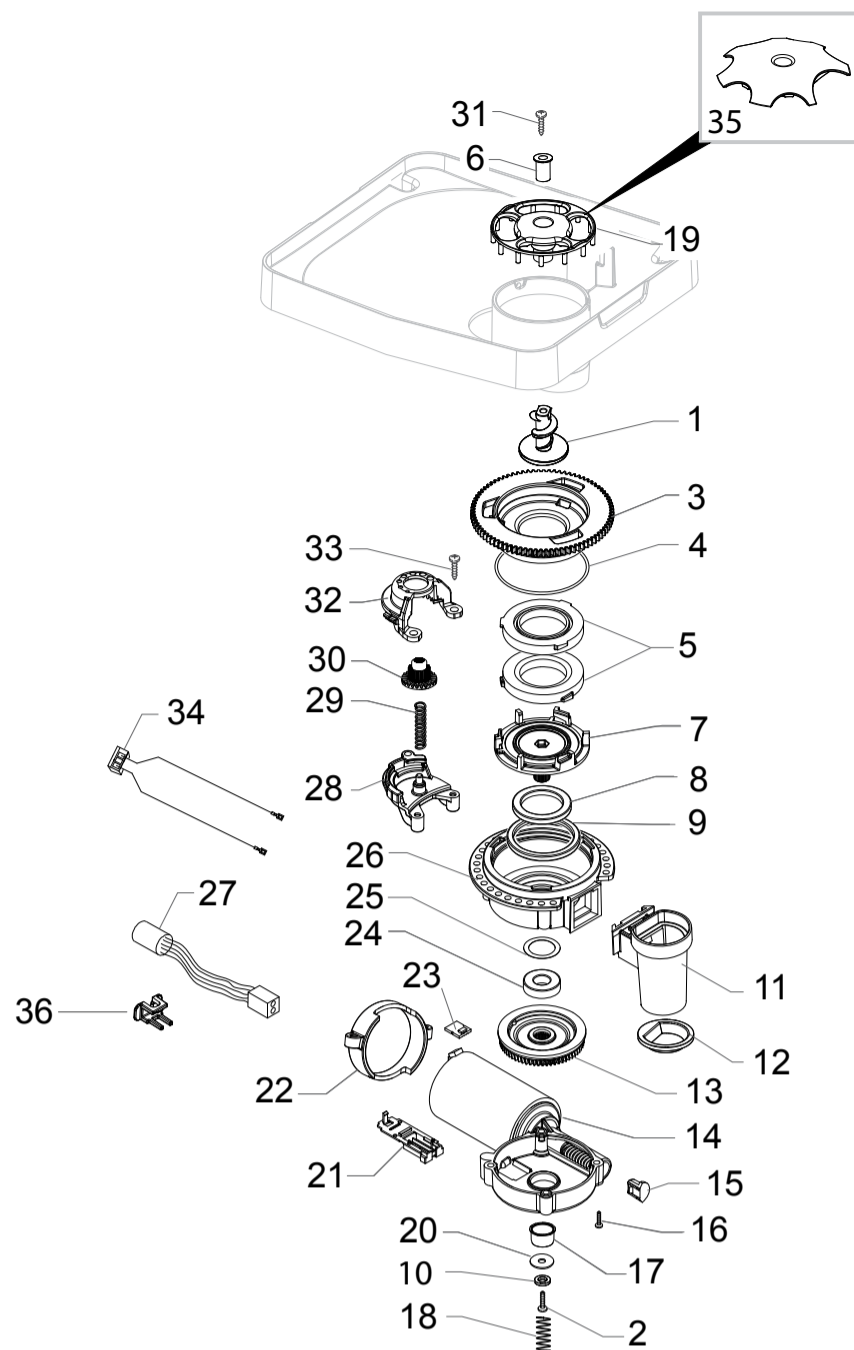
Saeco

HD8838/01-02-03-04-06-08-09-31
HD8838/32-41-43-47-HD8839/11-32



Cod.10003326-3598-3327-3762-3873-68-3560-3824
Cod.10003929-4076-77-3879-3769-3989

| POS | CODE | 12NC | DESCRIPTION | NOTE | POS | CODE | 12NC | DESCRIPTION | NOTE |
|-----|-----------|--------------|---|------------|-----|------|------|-------------|------|
| 01 | 17000980 | 996530067657 | BLACK WATER DRAINAGE CONNECTOR XSMC | | | | | | |
| 02 | 11024038 | 996530067667 | BRASS 2WAY EV 21JN1RRV20-XT+LBV05024CU | | | | | | |
| 03 | 11024039 | 996530067613 | 3WAY EV OT57 (31JN1XRV20-SXT+LBV05024CU) | | | | | | |
| 04 | 12000450 | 996530007819 | SCREW TCBR TORX 10 3,5X12 PLAST.ZN-N | | | | | | |
| 05 | 11003348 | 996530001601 | BRASS CONNECTOR FOR ALUM.BOILER | | | | | | |
| 06 | 17000114 | 996530068077 | FLOW SELECTOR FAUCET NPR | | | | | | |
| 07 | 12000893 | 996530007948 | OR ORM 0120-20 BLACK EPDM | | | | | | |
| 08 | 11008104 | 996530004722 | MUSHROOM VALVE FOR FLOW SELECTOR P0057 | | | | | | |
| 09 | 11008105 | 996530004723 | FLOW SELECTOR VALVE SUPPORT P0057 | | | | | | |
| 10 | 11008077 | 996530004709 | STEEL FLOW SELECTOR VALVE SPRING P0057 | | | | | | |
| 11 | 11008106 | 996530004724 | FLOW SELECTOR VALVE CAP P0057 | | | | | | |
| 12 | 12000892 | 996530007947 | OETIKER CLAMP D=9,5 16700004 | | | | | | |
| 13 | 11024469 | 996530067632 | L-F/BRASS CONNECTOR FOR BOILER AURA | | | | | | |
| 14 | 16000719 | 996530009548 | BLK LINE 5X8,9 SILICONE TUBE | IN ROLL | | | | | |
| 15 | 12000140 | 996530007753 | ULKA PUMP EP5/S GW | 230V-50HZ | | | | | |
| | 12000182 | 996530007782 | ULKA PUMP EP5/S GW | 220V-60HZ | | | | | |
| | 12000142 | 996530007754 | ULKA PUMP EAP5/S | 120V-60HZ | | | | | |
| 16 | 11005948 | 996530003241 | 3POLES CONNECTOR FLOWMETER P0057 | | | | | | |
| 17 | 16000380 | 996530009505 | 5X8,9 SILICONE TUBE | IN ROLL | | | | | |
| 18 | NV99.099 | 996530059843 | TURBINE D=1,2 932-8521/00 ASSY. | | | | | | |
| 19 | 12001369 | 996530008039 | SCREW TSP TORX 10 5X35 PLAST.SS | | | | | | |
| 20 | 11013735 | 996530006841 | SLIM TUB.BOILER ASSY. | 230V 1300W | | | | | |
| | 11023153 | 996530007586 | SLIM TUB.BOILER ASSY. | 120V 1300W | | | | | |
| 21 | 12001715 | 996530069758 | SCREW TCB TORX 20 M4X8 AUTOFORMING ZN-B | | | | | | |
| 22 | 190800100 | 996530026997 | TEMPERATURE SENSOR NTC UL L=280MM | | | | | | |
| 23 | 11022791 | 996530007442 | BLACK SLIM/EXSL TUB.BOILER SUPPORT | | | | | | |
| 24 | 12001033 | 996530007973 | THERMOSTAT ONE SHOT 190° | | | | | | |
| 25 | 11001751 | 996530000997 | TUB.BOILER V3 UPPER THERM.FIXING SPRING | | | | | | |
| 26 | 11004689 | 996530002484 | TEA/BRASS SAFETY VALVE 16-18 BAR ASSY. | | | | | | |
| 27 | JS01.022 | 996530057357 | SILICONE TUBE 5X10 60SH I | IN ROLL | | | | | |
| 28 | 149205850 | 996530018056 | BLACK TYPE ULKA PUMP W/BEVEL SUPPORT | | | | | | |
| 29 | 11009747 | 996530005496 | 2POLES CONNECTOR PUMP P0057 UL | | | | | | |
| | 11026683 | 996530069759 | SLIM TUB.BOIL.STD C1 T190° 1300W 230V AS | | | | | | |
| | 11026684 | 996530069761 | SLIM TUB.BOIL.STD C1 T190° 1300W 120V AS WITH PART.N°20-21-22-24-25 | | | | | | |



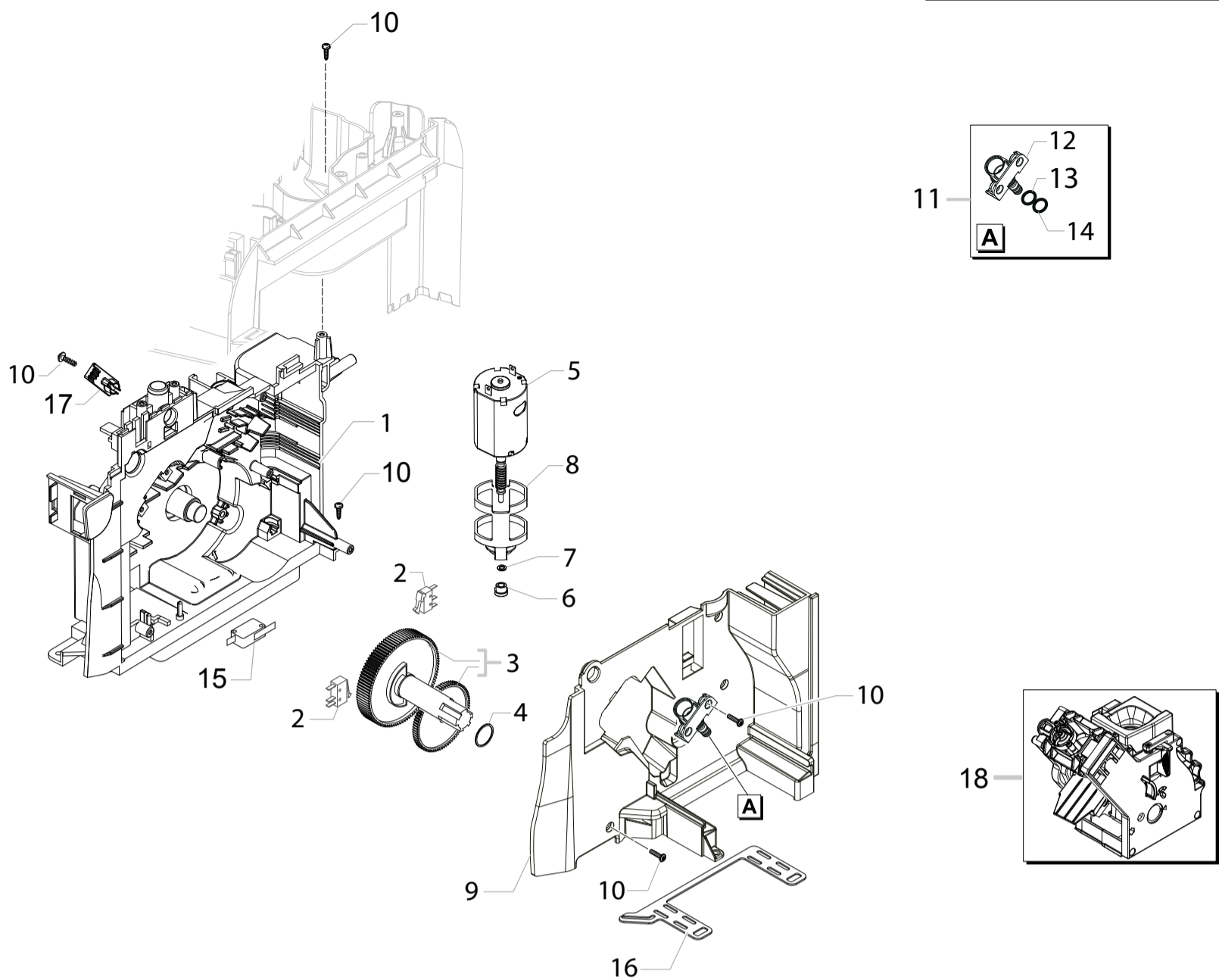
PHILIPS

Saeco

 HD8838/01-02-03-04-06-08-09-31
 HD8838/32-41-43-47-HD8839/11-32

 Cod.10003326-3598-3327-3762-3873-68-3560-3824
 Cod.10003929-4076-77-3879-3769-3989

| POS | CODE | 12NC | DESCRIPTION | NOTE | POS | CODE | 12NC | DESCRIPTION | NOTE |
|-----|-----------|--------------|--|--------|-----|----------|--------------|---|------|
| 01 | 11010031 | 996530005586 | TEA/ZAMA INCREASE SCREW GRINDER | | 36 | 17001921 | 996530072477 | BLK WIRING FIX INSERT FOR GRINDER BOARD | |
| | 11024208 | 996530066712 | TEA SHORT ZAMA INCREASE SCREW GRINDER | USA UL | | 11006059 | 996530003327 | GEN.MOTOR COF.GRINDER STD P0057 ASS | 230V |
| 02 | 129574802 | 996530012928 | SCREW TCB TORX 20 M4X30 ZN-B | | | 11024242 | 996530066713 | GEN.MOTOR COF.GRINDER V3 P0057 ASSY | 120V |
| 03 | | 421941094152 | BLK COF.GRINDER UPPER GRINDER SUPPORT V2 | | | | | | |
| 04 | 140328960 | 996530013577 | OR ORM 0530-15 NBR FDA | | | | | | |
| 05 | 146520100 | 996530016342 | BAKED CLAY GRINDER 48X28 | | | | | | |
| 06 | 11012466 | 996530006412 | BRASS BUSH BEAN CONT.FINGER PROTEC.P0057 | | | | | | |
| 07 | 149198350 | 996530017952 | BLK LOWER COFFEEGRINDER GRINDER SUPPORT | | | | | | |
| 08 | 123030300 | 996530011183 | AXIAL BEARING EKKO 342.35252 | | | | | | |
| 09 | 140360500 | 996530013597 | FELT RING 45,4X39,4X4 | | | | | | |
| 10 | 128310402 | 996530012341 | GALV.WASHER UNI 8842 A4 | | | | | | |
| 11 | 11026355 | 996530068049 | BLK GROUND COFF.OUTLET CONVEYOR V4 ASSY. | | | | | | |
| 12 | 11030459 | 996530072511 | GRY GROUND COFFEE CONT.LOWER SEAL SMART1 | | | | | | |
| 13 | 226000300 | 996530029609 | GEAR SX Z=38 FOR GRINDER MOTION ASSY. | | | | | | |
| 14 | 11000513 | 996530000317 | MOTOR COFFEEGRINDER V3.1 ASSY. | 230V | | | | | |
| | 11000511 | 996530000315 | MOTOR COFFEEGRINDER V3.1 ASSY. | 120V | | | | | |
| 15 | 149214800 | 996530018139 | MC V3 MOD=1,25 WORM SCREW CENTRING CAP | | | | | | |
| 16 | 129661702 | 996530012992 | SCREW TCB TORX 3,5X30 PLAST.ZN-B | | | | | | |
| 17 | 11002873 | 996530001389 | INSULATOR BUSH FOR GRINDER MOTOR P124 | | | | | | |
| 18 | 11000597 | 996530000376 | COFFEE GRINDER SUPPORT SPRING P124 | | | | | | |
| 19 | 11014285 | 996530007058 | BLK V2 BEAN CONTAIN.FINGER PROTECT.P0057 | | | | | | |
| 20 | 128381902 | 996530012375 | STEEL FLAT WASHER DI=4,3 DE=14 SP=1,5 | | | | | | |
| 21 | 149199050 | 996530017963 | BLK SENSOR SUPPORT FOR COF.GRINDER MOTOR | | | | | | |
| 22 | 11000194 | 996530000115 | BLACK COFFEEGRINDER MOTOR SUPPORT P124 | | | | | | |
| 23 | 181540900 | 996530022784 | ELECTR.BOARD WITH SENSOR HAL506 SF-K | | | | | | |
| 24 | 123030200 | 996530011182 | RADIAL BEARING 61900.2RS1 | | | | | | |
| 25 | 128381800 | 996530012374 | STEEL CRINKLE WASHER 21,8X14X0,25 | | | | | | |
| 26 | 142905450 | 996530015258 | BLK UPPER BODY WITH COFFEE GROUND OUTLET | | | | | | |
| 27 | 11008871 | 996530005073 | 3 POLES CONNECTOR MC SENSOR S0053 UL | | | | | | |
| 28 | 11002613 | 996530001314 | LOWER COFFEEGRINDER GEAR SUPPORT P124 | | | | | | |
| 29 | 11002572 | 996530001308 | COFFEEGRINDER REGULATION SPRING P124 | | | | | | |
| 30 | 11003784 | 996530001907 | COFFEE GRINDING ADJUSTMENT GEAR P0049 | | | | | | |
| 31 | U043.004 | 996530061808 | ZN-B TCB SCREW M4X16 | | | | | | |
| 32 | 11002508 | 996530001296 | UPPER COFFEEGRINDER GEAR SUPPORT P124 | | | | | | |
| 33 | 129914002 | 996530013165 | SCREW TCB TORX 10 3,5X16 PLAST.ZN-B | | | | | | |
| 34 | 11008869 | 996530005071 | 2P.CONNECT.COFFEE GRINDER MOTOR S0053 | | | | | | |
| 35 | 11022841 | 996530007463 | TRANS.BEAN CONTAIN.FINGER PROTECT.XSM UL | USA UL | | | | | |



PHILIPS

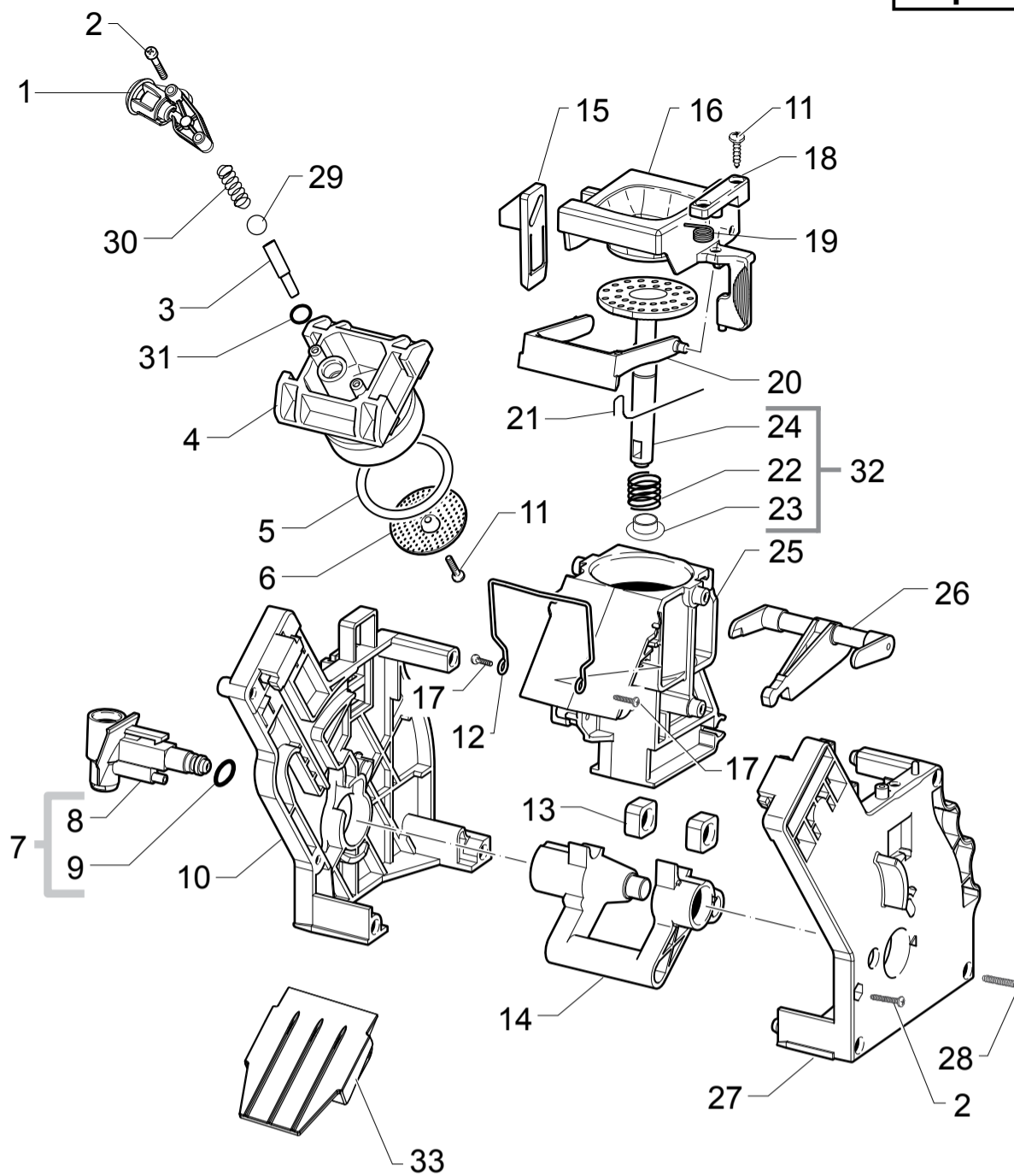
Saeco

HD8838/01-02-03-04-06-08-09-31
HD8838/32-41-43-47-HD8839/11-32



Cod.10003326-3598-3327-3762-3873-68-3560-3824
Cod.10003929-4076-77-3879-3769-3989

| POS | CODE | 12NC | DESCRIPTION | NOTE | POS | CODE | 12NC | DESCRIPTION | NOTE |
|-----|-----------|--------------|--|------|-----|------|------|-------------|------|
| 01 | 17000366 | 996530066736 | BLK RATIOMOTOR MOUNTING PLATE XSMCASSY. | | | | | | |
| 02 | NE05.038 | 996530058869 | MICROSWITCH SAIA XCG5-81-P5 | | | | | | |
| 03 | 20000900 | 996530009913 | SPARES KIT GEARS FOR RATIOMOTOR V2 | | | | | | |
| 04 | 9161.132 | 996530050569 | MYLAR WASHER FOR RATIOMOTOR | | | | | | |
| 05 | 11005214 | 996530002796 | MOTOR FOR RATIOMOTOR P124 ASSY. | | | | | | |
| 06 | 9121.046 | 996530049898 | BRONZE SINTERED BUSH FOR MOTOR RATIOMOT. | | | | | | |
| 07 | 148380200 | 996530017424 | BAKELIZZATE WASHER D=5,5 | | | | | | |
| 08 | 9121.044 | 996530049896 | ANTIVIBRATION FOR MOTOR | | | | | | |
| 09 | 11003754 | 996530001899 | BLK RATIOMOT.MOUNTING PLATE COVER P0057 | | | | | | |
| 10 | 12001728 | 996530070321 | SCREW TCBR TORX 10 3,5X12 PLAST.SS | | | | | | |
| 11 | 11013531 | 996530006805 | PIN FOR FLOW SELECTOR FAUCET P0057 ASSY. | | | | | | |
| 12 | 11013530 | 996530006804 | PIN FOR FLOW SELECTOR FAUCET V2 P0057 | | | | | | |
| 13 | NM01.035 | 996530059399 | OR ORM 0090-20 SILICONE | | | | | | |
| 14 | NM01.057 | 996530059419 | OR ORM 0050-20 IN SILICONE | | | | | | |
| 15 | 12001890 | 996530073209 | MICROSWITCH XG/V3D | | | | | | |
| 16 | 11013205 | 996530006688 | BLACK SEAL FOR RATIOMOTOR PLATE XSM | | | | | | |
| 17 | 17000064 | 996530067437 | BLK CAPACIT.SENSOR DEADLOCK INSERT XSM | | | | | | |
| 18 | 11031554 | 996530073362 | BLACK BREW UNIT 8GR.5BAR HGO | | | | | | |



PHILIPS

Saeco

HD8838/01-02-03-04-06-08-09-31
HD8838/32-41-43-47-HD8839/11-32



Cod.10003326-3598-3327-3762-3873-68-3560-3824
Cod.10003929-4076-77-3879-3769-3989

| POS | CODE | 12NC | DESCRIPTION | NOTE | POS | CODE | 12NC | DESCRIPTION | NOTE |
|-----|--------------|--------------|--|------|-----|------|------|-------------|------|
| 01 | 11009362 | 996530005415 | BLK COF.OUTLET SLEEVE BREW UNIT S0053 AS | | | | | | |
| 02 | 12000550 | 996530007838 | SCREW TCB TORX 10 3X25 PLAST.SS | | | | | | |
| 03 | 11009276 | 996530005372 | BLK COUNTER PISTON TUBE BREW UNIT S0053 | | | | | | |
| 04 | 11001840 | 996530001046 | BLACK COUNTER PISTON BREW UNIT 8GR.P124 | | | | | | |
| 05 | NM01.044 | 996530059406 | OR ORM 0320-40 SILICONE PTFE/FDA | | | | | | |
| 06 | 9161.268 | 996530050709 | PERCOLATOR DE=35,8 ELFO | | | | | | |
| 07 | 20000440 | 996530009825 | BLACK WATER INLET SLEEVE BREW UNIT ASSY. | | | | | | |
| 08 | 9161.064.050 | 996530050488 | BLACK WATER INLET SLEEVE BREW UNIT ROYAL | | | | | | |
| 09 | NM02.007 | 996530059441 | OR 2025 IN TERMOIL | | | | | | |
| 10 | 9161.375.050 | 996530050832 | BLACK BREW UNIT REAR PLATE SMART | | | | | | |
| 11 | 12000895 | 996530007951 | SCREW TSP TORX 10 3X10 PLAST.SS | | | | | | |
| 12 | 11001556 | 996530000898 | SS BREW UNIT SPRING H=49 SMART | | | | | | |
| 13 | 9161.094.050 | 996530050539 | BLACK BREW UNIT DRILLED BLOCK | | | | | | |
| 14 | 9161.066.050 | 996530050492 | BLACK BREW UNIT ELBOW SHAFT M5000 | | | | | | |
| 15 | 9161.373.050 | 996530050827 | BLACK BREW UNIT COUPLING PLATE SMART | | | | | | |
| 16 | 149261350 | 996530018241 | BLACK HOPPER DOSER BREW UNIT SMART1 | | | | | | |
| 17 | 129912521 | 996530013148 | SCREW TCB TORX 10 3,5X14 PLAST.SS | | | | | | |
| 18 | 9161.374.050 | 996530050829 | BLK BREWUNIT HOPPER BLOCKING PLATE SMART | | | | | | |
| 19 | 9161.378 | 996530050838 | SS HOPPER SPRING FOR BREW UNIT SMART | | | | | | |
| 20 | 11004161 | 996530002096 | BLACK SCRAPER FOR BREW UNIT M5000 | | | | | | |
| 21 | 9161.046 | 996530050455 | SS SCRAPER SPRING FOR BREW UNIT | | | | | | |
| 22 | 9161.198 | 996530050627 | SS.8GR.BREW UNIT PISTON SPRING | | | | | | |
| 23 | 9161.191 | 996530050618 | WHITE 8GR.-12GR.BREW UNIT PISTON BUSH | | | | | | |
| 24 | 11003077 | 996530001451 | BLK BREW UNIT INTEGRAL PISTON 8GR.ASSY. | | | | | | |
| 25 | 11003075 | 996530001448 | BLACK COFFEE CONTAINER BREW UNIT P124 | | | | | | |
| 26 | 11003078 | 996530001452 | BLACK CONNECTING ROD BREW UNIT 8GR. | | | | | | |
| 27 | 11005920 | 996530003228 | BLACK BREW UNIT FRONT PLATE S/SCR.SMART | | | | | | |
| 28 | 12000897 | 996530007953 | SCREW TCB TORX 10 3,5X20 PLAST.SS | | | | | | |
| 29 | 9991.168 | 996530051874 | GLASS SPHERE D.5 MM | | | | | | |
| 30 | 11012095 | 996530006305 | SS COFFEE UNIT CONTERPISTON SPRING S0053 | | | | | | |
| 31 | 140328761 | 996530013575 | OR ORM 0060-15 TERMOIL | | | | | | |
| 32 | 11023086 | 996530007577 | BLK 8GR.BREW UNIT NTEGR.PISTON GEN.ASSY. | | | | | | |
| 33 | 17000663 | 996530073322 | BLK BREW UNIT CONVEYOR SLIDE L=76,8 | | | | | | |
| | 11031554 | 996530073362 | BLACK BREW UNIT 8GR.5BAR HGO | | | | | | |