

**PHILIPS**

**HD8841/01-09-11  
HD8842/09  
HD8844/01-09**

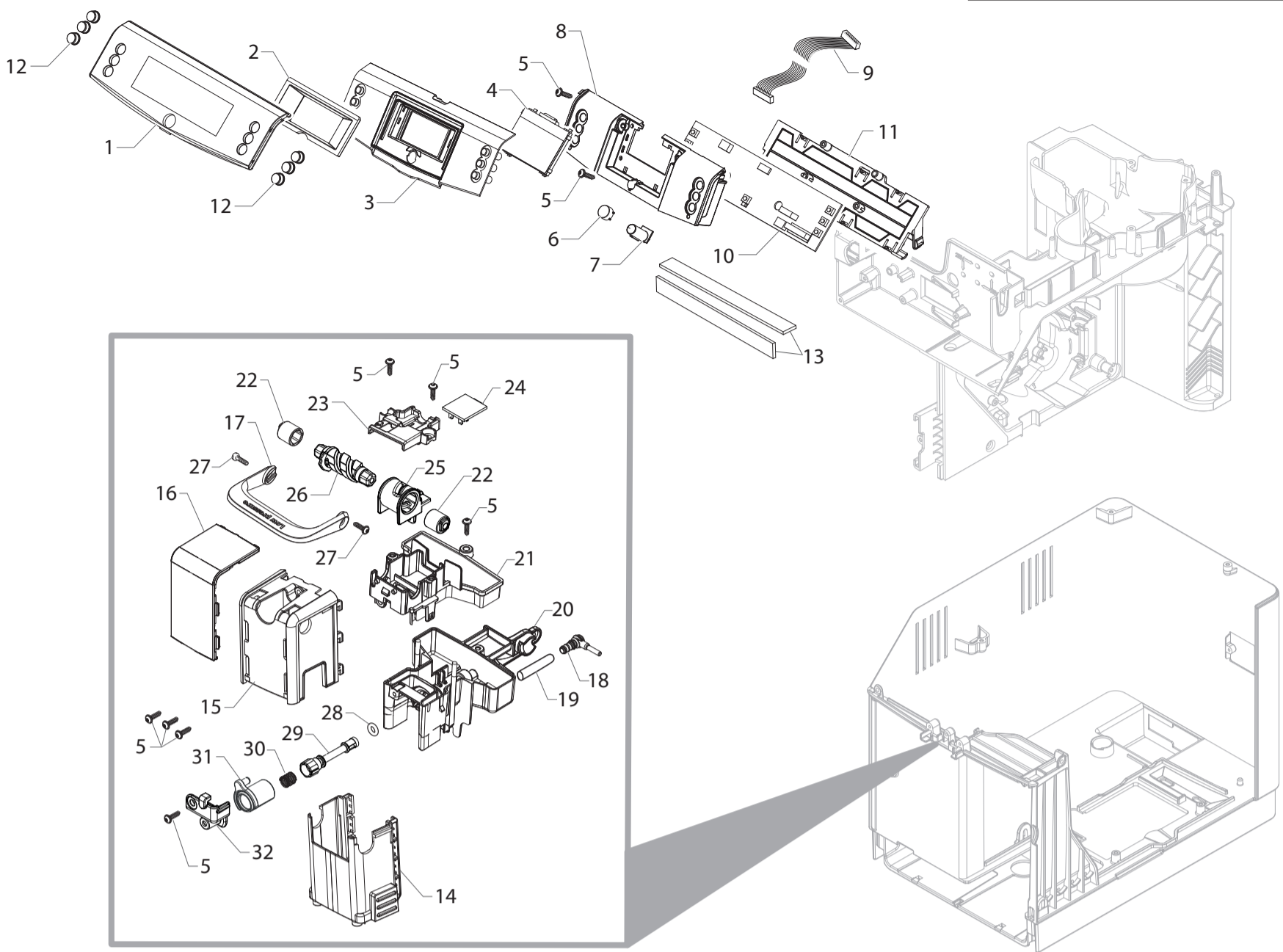


**Cod. 8828841010-109300-111010  
Cod. 882884209870  
Cod. 882884401010-409300**

POS	CODE	12NC	DESCRIPTION	NOTE	POS	CODE	12NC	DESCRIPTION	NOTE
01	127390100	996530011867	BRUSH FOR CLEANING		32		421944025451	BLK WATER CONTAINER LID V2 SMR	
02		421944033301	BLK ABS COFFEE MEASURE SMART				421944039011	G/ANTWATER CONTAINER LID V2 SMR	
03		421946001591	BLK POWER CABLE SCHUKO L=800		33		421944040481	TRANSP/GRY GROUND COF.HOPPER LID SMRA	
04	129913202	996530013156	SCREW TCB TORX 10 3X8 PLAST.ZN-B		34		421944025441	BLK BEAN COF.CONT.LID V2 SMR/B-H-P	
05		421946017941	KLUBERLUB NH1 11-222 TUBE 5GR.				421944039001	G/ANT BEAN COF.CONT.LID V2 SMR/B-H-P	
06		421940812921	KIT PS-E INSERT FOR BOX SMR		35	11031523	996530073462	BLACK INFRAREDS PLATE RYL	
07		421946026811	DISPL.BOX V2 SMRA/P PHI 4000		36	9161.111	996530050555	MAGNET FOR FLOAT SUPERAUT.	
			<b>HD8841/01-09-11 HD8842/09</b>		37	11013220	996530069857	STEEL PLATE FOR DOOR MAGNET XSM	
			421946026821	DISPL.BOX V2 SMRA/H PHI 4000	38	17001065	996530073429	MATT/BLACK RIGHT SIDE DOOR SMR	
			<b>HD8844/01-09</b>				421944039051	G/ANT RIGHT SIDE DOOR SMR	
08		421941304791	RED/3003 FLOAT FOR DRIP TRAY XSM		39		421944043301	M/BLK UPP.CASING COVER S/SCR.SMRA/H-P	
09	17001568	996530073458	MATT/BLACK DRIP TRAY SMR/B-H-P				421946029981	G/ANM UPP.CASING COVER S/SCR.SMRA/H-P	
		421944059871	G/ANT DRIP TRAY SMRA/P-H ASSY		40		242212625104	SWI POW 2P 12A 250V FASTON GP12H B	
10		421944031791	BA/SS GRATE FOR DRIP TRAY SMR/B-H-P		41		421944023921	BLK LIDS FIXING INSERT SMR	
11		421944014691	M/BLK DRIP TRAY INSERT V2 SMR		42		421944040451	BLK CONT.SEP.INSERT SMR	
		421944038991	G/ANT DRIP TRAY INSERT V2 SMR		43		421941308121	KIT SPARES BLK DUMP BOX SMR	
12	12000280	996530007788	CUP SOCKET EN 60320 C 13		44		421941308111	KIT SPARES M/BLK DRIP TRAY SMR/B-H-P	
13	17001005	996530073483	BLACK DUMP BOX INSERT NPR				421941309371	KIT SPARES G/ANT DRIP TRAY SMRA/P-H	
14		421944060591	BLK DUMP BOX V2 SMR						
15	17001556	996530073468	TRANSP.SILICONE FOOT SMR						
16	17001025	996530073478	MATT/BLACK FRONT PANEL CAP SMR						
17		421941307691	CPR SMRA ASSY.	230V					
18	17001484	996530068728	MATT/BLK REAR CASING PROGRAM.INSERT NPR						
		421944034441	G/ANT REAR CASING PROGRAM.INSERT NPR						
19	0301.961	996530039604	STICKER FOR WATER HARDNESS TEST						
20	17001363	996530073476	NAT/GREY WATER CONTAINER SMR ASSY.						
21	17001366	996530073463	BLACK LID FOR DUCKBILL VALVE SMR						
22	11003671	996530001829	TRANSP.VALVE FOR WATER CONTAINER P0049						
23		421941157852	GRY WATER CONTAINER VALVE INSERT P0049						
24	11003672	996530001831	SS SPRING FOR WATER CONTAIN.VALVE P0049						
25	140328461	996530013571	OR ORM 0190-10 EPDM						
26	224640200	996530029115	WHITE WATER CONTAINER EXT.FILTER ASSY.	WITH PART.N°25					
27	17001322	996530073442	BLACK WATER CONTAINER HANDLE SMR						
28	17001474	996530073436	BLACK WATER LEVEL SENSOR SUPPORT SMR						
29		421941306721	CPU+SW WATER LEVEL SENSOR V3 ASSY.						
30		421946000021	3P.CONN.WATER LEVEL SMR UL ASSY.						
31	12001728	996530070321	SCREW TCB TORX 10 3,5X12 PLAST.SS						

**PHILIPS**

**PHI 4000 AMF - CMF**



**PHILIPS**

**HD8841/01-09-11  
HD8842/09  
HD8844/01-09**

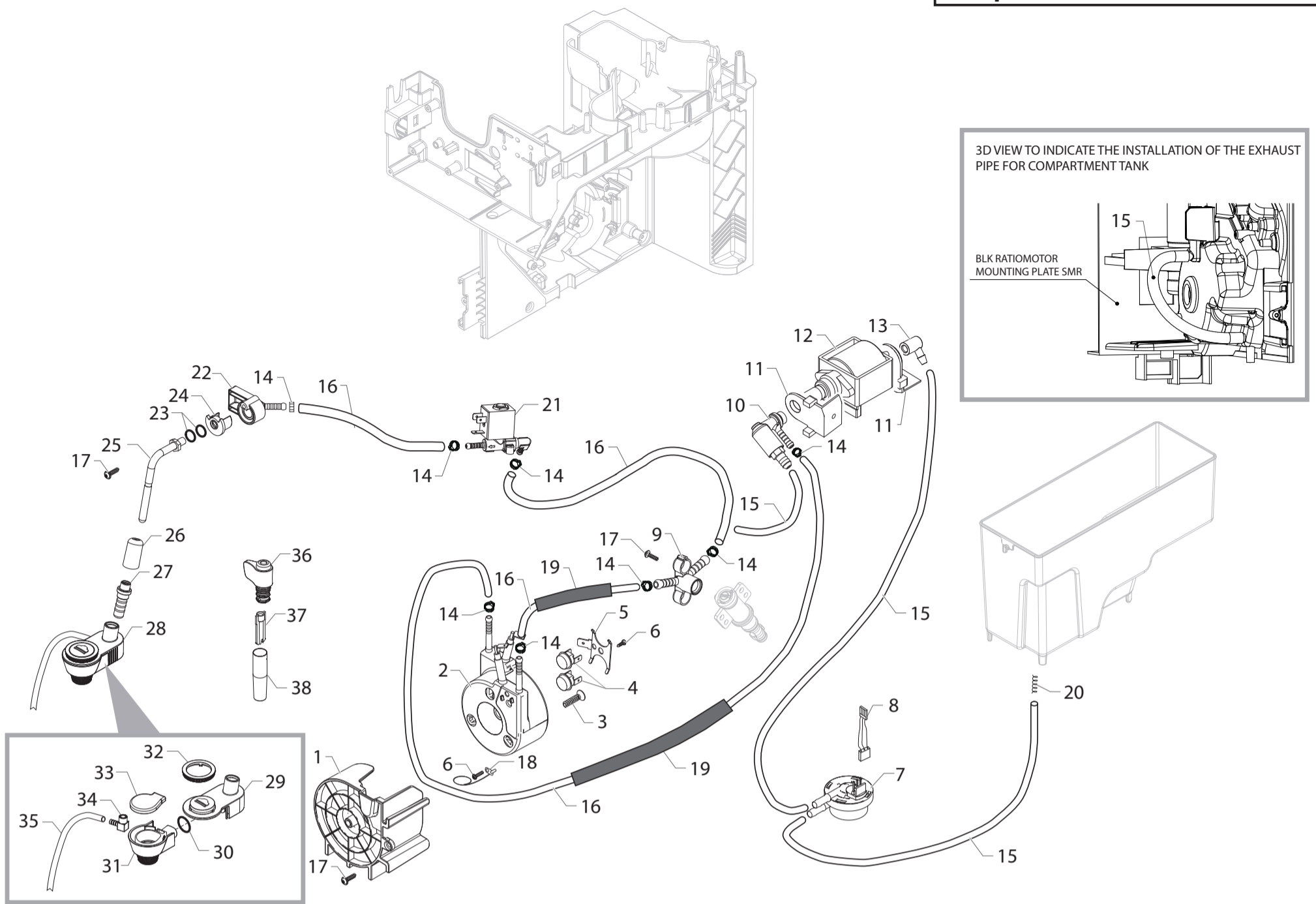


**Cod. 8828841010-109300-111010  
Cod. 882884209870  
Cod. 882884401010-409300**

POS	CODE	12NC	DESCRIPTION	NOTE	POS	CODE	12NC	DESCRIPTION	NOTE
01		421944043231	DISPLAY FRONT PANEL S/SCR.BLK SMRA/P <b>HD8841/01-09-11 HD8842/09</b>						
		421944051131	DISPLAY FRONT PANEL S/SCR.BLK V2 SMRA/H <b>HD8844/01-09</b>						
02	17001270	996530073484	BLACK DISPLAY FRAME SMR						
03		421944040492	BLK FRONT PANEL MEMBRANE V2 SMRA/H-P-T						
04		421941300941	DISPLAY LCD 128X64 SMR						
05	12000450	996530007819	SCREW TCBR TORX 10 3,5X12 PLAST.ZN-N						
06	11030953	996530073434	TRANSP.STAND-BY BUTTON S/SCR.SMR						
07	17002075	996530073441	WHITE STAND-BY BUTTON LIGHT GUIDE SMR						
08		421944040471	BLK DISPLAY SUPPORT SMRA						
09	11005128	996530002766	16POLES CPU-USER INTERF.FLAT CABLE P0057						
10		421941308621	KIT SPARES KYB - DISPLAY SMR ABS						
11	17000704	996530073485	BLACK DISPLAY KEYBOARD SUPPORT SMR						
12		421944042441	CHR INTERFACE BUTTON S/SCR.SMRA						
13		421944008251	BLK ADH.AERSTOP SMR						
14		421944043291	M/BLK COF.DISPEN.MOBILE PART SMRA ASSY.						
15		421944040311	BLK COFFEE DISP.LID SMRA						
16		421944036131	CHROM.COFF.DISPEN.FRONT PLATE SMRA/P-H-T						
17		421944036141	CHR.CREAM ADJUSTMENT LEVER SMRA						
18	17001849	996530073464	BLK BREW UNIT COFFEE OUTLET CONNECT.SMR						
19	149360200	996530018269	SILICONE TUBE 5X8 70SR	IN ROLL					
20		421944039951	BLK COFF.DISP.BODY SMRA						
21		421944040241	BLK COFFEE DISP.BODY LID SMRA						
22		421944050611	BLK CREAM ADJUST.LEVER INSERT V2 SMRA						
23		421944040361	ADJUSTMENT CREAM BOARD SUPP.SMRA						
24		421941300301	SELECTION DRIP-ESPRESSO BOARD SMR						
25		421941292681	BLK CREAM ADJUSTMENT SLIDE SMR						
26		421941292691	BLK CREAM ADJUSTMENT SCREW SMR						
27	WGA4326038000	996530063583	SCREW TSP 3,5X16 INOX						
28	140326661	996530013546	OR ORM 0040-20 BLACK EPDM						
29		421944007491	WHT CREAM ADJUSTMENT SHAFT SMR						
30	126772518	996530011711	SS COFF.CREAM ADJUSTMENT SHAFT SPRING						
31		421941292331	BLK CREAM ADJUSTMENT KNOB SMR						
32		421941293051	BLK CREAM ADJUSTMENT KNOB INSERT SMR						

**PHILIPS**

**PHI 4000 AMF - CMF**



**PHILIPS**

HD8841/01-09-11  
HD8842/09  
HD8844/01-09



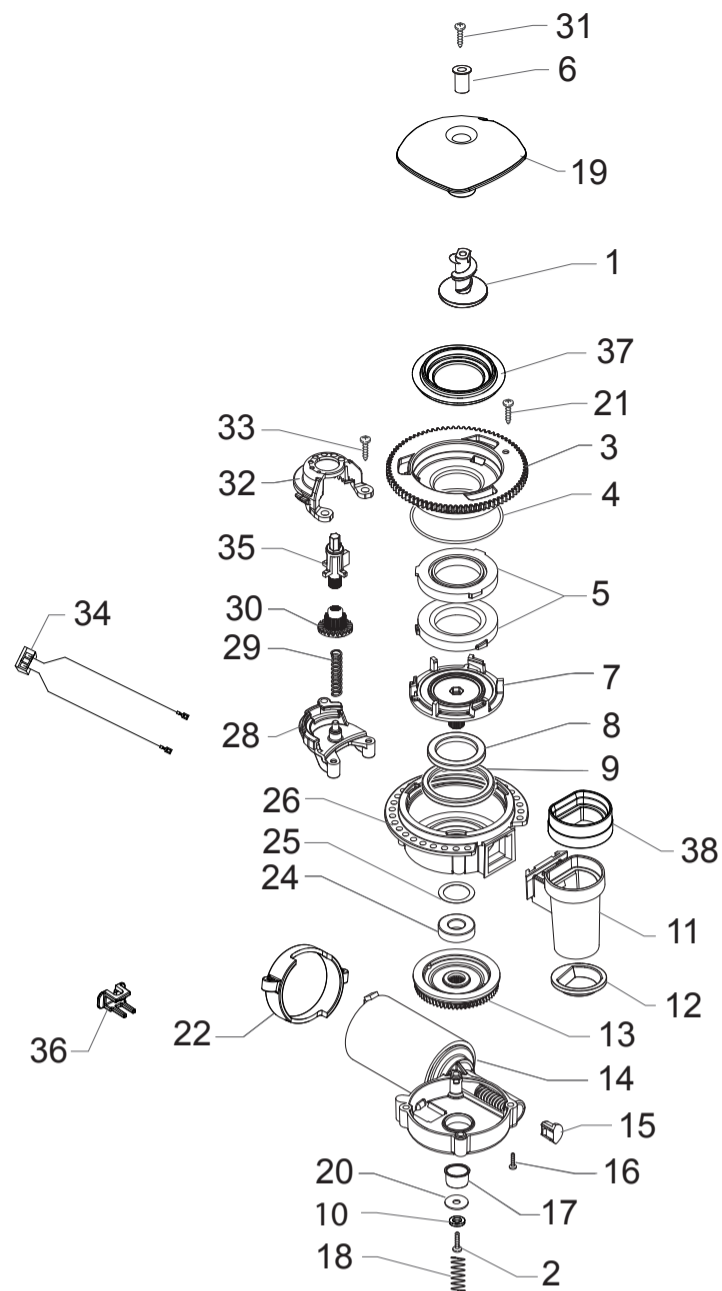
Cod. 882884101010-109300-111010  
Cod. 882884209870  
Cod. 882884401010-409300

POS	CODE	12NC	DESCRIPTION	NOTE	POS	CODE	12NC	DESCRIPTION	NOTE
01		421944040831	BLK SLIM TUB.BOILER SUPPORT V2 SMR		32		421941301121	BLK CAPPUC.CASING COVER RING SMR/H	
02		421944028841	TUB.BOILER XS4 ASSY.	230V-1900W				<b>HD8844/01-09</b>	
03	12001280	996530008024	SCREW TSP TORX 10 5X20 PLAST.ZN-B		33		421941301131	BLK CAPPUC.CASING SEAL SMR/H	
04	12001033	996530007973	THERMOSTAT ONE SHOT 190°					<b>HD8844/01-09</b>	
05	11001751	996530000997	TUB.BOILER V3 UPPER THERM.FIXING SPRING		34	147922350	996530017377	BLACK CONNECTOR 90° FOR SPHERIC.CAPPUC.	
06	12001715	996530069758	SCREW TCB TORX 20 M4X8 AUTOFORMING ZN-B					<b>HD8844/01-09</b>	
07	NV99.099	996530059843	TURBINE D=1,2 932-8521/00 ASSY.		35	9972.045	996530051237	SILICONE TUBE 3,5X6 L=350 MM DS	
08	17800686	996530073488	3POLES CONNECTOR FLOWMETER SMR UL					<b>HD8844/01-09</b>	
09	17000727	996530073427	BLACK CONNECTOR FOR PIN BOILER SMR		36		421941300671	BLK/SIL.STEAM TUBE HANDGRIP G0053	
10	11004689	996530002484	TEA/BRASS SAFETY VALVE 16-18 BAR ASSY.					<b>HD8841/01-09 -11 HD8842/09</b>	
11	149205850	996530018056	BLACK TYPE ULKA PUMP W/BEVEL SUPPORT		37	11001620	996530000925	BLACK PANNARELLO INNER TUBE P0049	
12	12000140	996530007753	ULKA PUMP EP5/S GW	230V-50HZ				<b>HD8841/01-09 -11 HD8842/09</b>	
13	11002149	996530001186	BLACK PUMP OUTLET 90°CONNECTOR P0049/A		38	11001621	996530000926	SS PANNARELLO COVER P0049	
14	12000892	996530007947	OETIKER CLAMP D=9,5 16700004					<b>HD8841/01-09 -11 HD8842/09</b>	
15	JS01.022	996530057357	SILICONE TUBE 5X10 60SH	IN ROLL					
16	16000380	996530009505	5X8,9 SILICONE TUBE	IN ROLL			421944046301	GEN.TUB.BOILER XS4 1900W 230V ASSY.	COMPLETE
17	12000450	996530007819	SCREW TCB TORX 10 3,5X12 PLAST.ZN-N						
18	17800628	996530073428	TEMPERATURE SENSOR NTC UL L=550MM						
19	16000540	996530009523	TRANSPAR.11X12,8 SILICONE TUBE	IN ROLL					
20	0701.081	996530073439	SPRING FOR TUBE PRODUCT 1						
21		421944029371	SOLENOID VALVES V2 SMR/T 24V ASSY.						
22	17001029	996530073457	STEAM TUBE SUPPORT SMR						
23	140324461	996530013509	OR ORM 0060-20 TERMOIL						
24	17001028	996530073456	BLACK BUSH FOR STEAM TUBE SMR						
25	11030926	996530073447	TF/CHROM.STEAM TUBE SMR ASSY.						
26		421944031451	CHROMED STEAM TUBE INSERT COVER SMR/H						
			<b>HD8844/01-09</b>						
27		421941301142	BLK STEAM TUBE INSERT V2 SMR/H						
			<b>HD8844/01-09</b>						
28		421944031491	CHR CAPPUC.V3 SMR/H ASSY.						
			<b>HD8844/01-09</b>						
29		421944031431	BLK CAPPUC.CASING COV.V3 S/SCR.SMR/H AS.						
			<b>HD8844/01-09</b>						
30	NM01.028	996530059392	O-RING 106 SILICONE						
			<b>HD8844/01-09</b>						
31		421944022461	BLK CAPPUC.CASING V3 SMR/H						
			<b>HD8844/01-09</b>						

**PHILIPS**

**PHI 4000 AMF - CMF**

TABLE 3/6



**PHILIPS**

HD8841/01-09-11  
HD8842/09  
HD8844/01-09



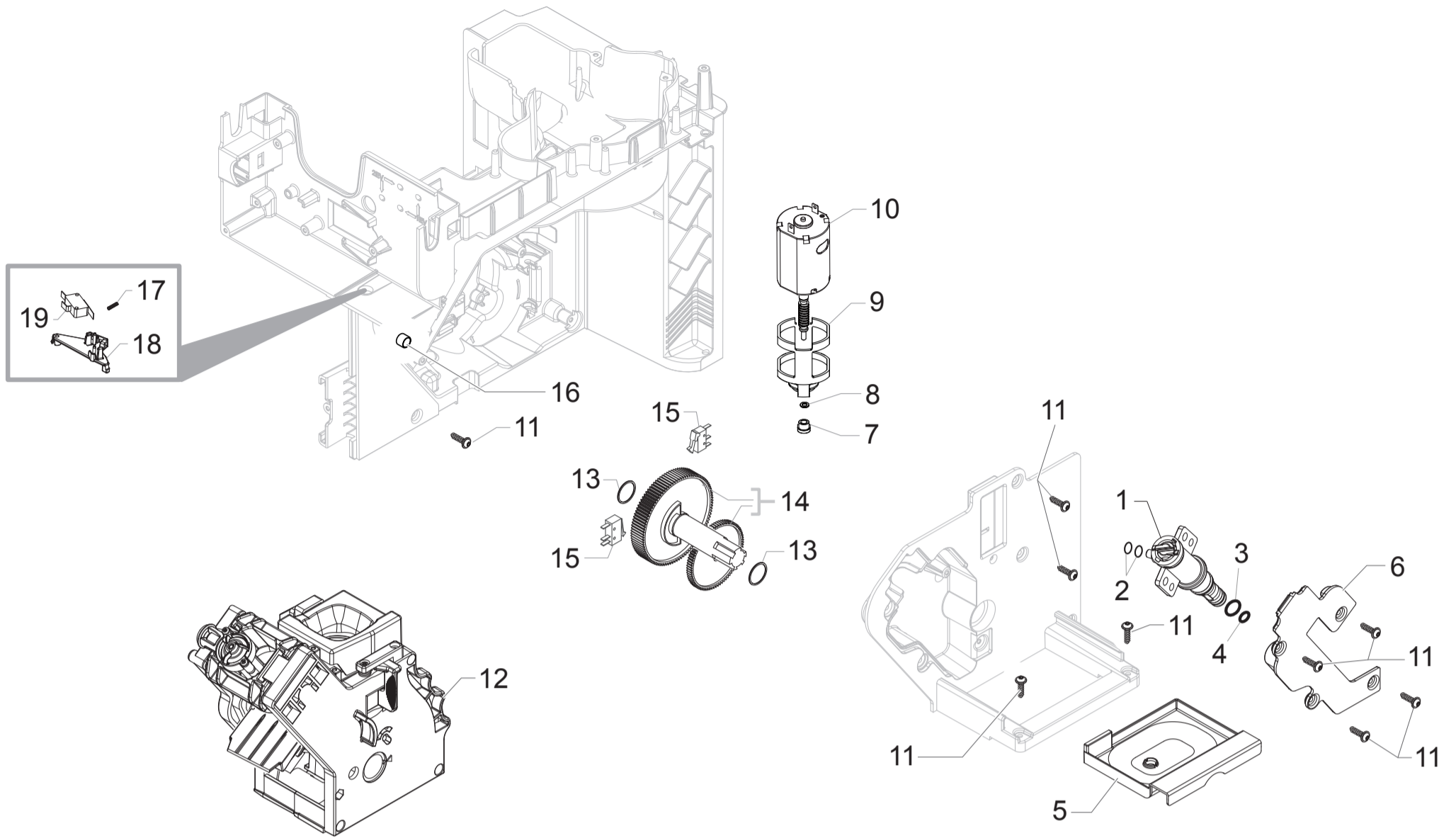
Cod. 882884101010-109300-111010  
Cod. 882884209870  
Cod. 882884401010-409300

POS	CODE	12NC	DESCRIPTION	NOTE	POS	CODE	12NC	DESCRIPTION	NOTE
01	11010031	996530005586	TEA/ZAMA INCREASE SCREW GRINDER				421944054631	GEN.MOTOR COF.GRINDER V2 SMR/B 230V ASSY	
02	129574802	996530012928	SCREW TCB TORX 20 M4X30 ZN-B						
03		421944053581	BLK COF.GRINDER UPPER GRINDER SUPPORT V3						
04	140328960	996530013577	OR ORM 0530-15 NBR FDA						
05	146520100	996530016342	BAKED CLAY GRINDER 48X28						
06	11012466	996530006412	BRASS BUSH BEAN CONT.FINGER PROTEC.P0057						
07	149198350	996530017952	BLK LOWER COFFEEGRINDER GRINDER SUPPORT						
08	123030300	996530011183	AXIAL BEARING EKKO 342.35252						
09	140360500	996530013597	FELT RING 45,4X39,4X4						
10	128310402	996530012341	GALV.WASHER UNI 8842 A4						
11	11026355	996530068049	BLK GROUND COFF.OUTLET CONVEYOR V4 ASSY.						
12	11030459	996530072511	GRY GROUND COFFEE CONT.LOWER SEAL SMART1						
13	226000300	996530029609	GEAR SX Z=38 FOR GRINDER MOTION ASSY.						
14		421944049151	MOTOR COFFEEGRINDER V3.2 ASSY.	230V					
15	149214800	996530018139	MC V3 MOD=1,25 WORM SCREW CENTRING CAP						
16	129661702	996530012992	SCREW TCB TORX 3,5X30 PLAST.ZN-B						
17	11002873	996530001389	INSULATOR BUSH FOR GRINDER MOTOR P124						
18	11000597	996530000376	STEEL COF.GRINDER SUPPORT SPRING P124						
19	17001008	996530073467	TRANS.BEAN CONTAIN.FINGER PROTECT.SMR UL						
20	128381902	996530012375	STEEL FLAT WASHER DI=4,3 DE=14 SP=1,5						
21	12001622	996530068586	SCREW TCB TORX B 3,5X9,5 SHEET BLK ZINC						
22	11000194	996530000115	BLACK COFFEEGRINDER MOTOR SUPPORT P124						
24	123030200	996530011182	RADIAL BEARING 61900.2RS1						
25	128381800	996530012374	STEEL CRINKLE WASHER 21,8X14X0,25						
26	142905450	996530015258	BLK UPPER BODY WITH COFFEE GROUND OUTLET						
28	11002613	996530001314	LOWER COFFEEGRINDER GEAR SUPPORT P124						
29	11002572	996530001308	COFFEEGRINDER REGULATION SPRING P124						
30	11003784	996530001907	COFFEE GRINDING ADJUSTMENT GEAR P0049						
31	U043.004	996530061808	ZN-B TCB TORX 20 M4X16 ZN-B						
32	11002508	996530001296	UPPER COFFEEGRINDER GEAR SUPPORT P124						
33	129914002	996530013165	SCREW TCB TORX 10 3,5X16 PLAST.ZN-B						
34	17800688	996530073454	2POLES CONNET.COFFEEGRINDER MOTOR SMR UL						
35		421944025161	YLW BEAN COFFEE GRINDER INSERT SMR						
36	17001921	996530072477	BLK WIRING FIX INSERT FOR GRINDER BOARD						
37	145857062	996530015992	COFFEE GRINDER SEAL P119						
38	145854360	996530015958	BLK GROUND COFFEE CONT.UPPER SEAL SMART1						

**PHILIPS**

**PHI 4000 AMF - CMF**

TABLE 4/6


**PHILIPS**

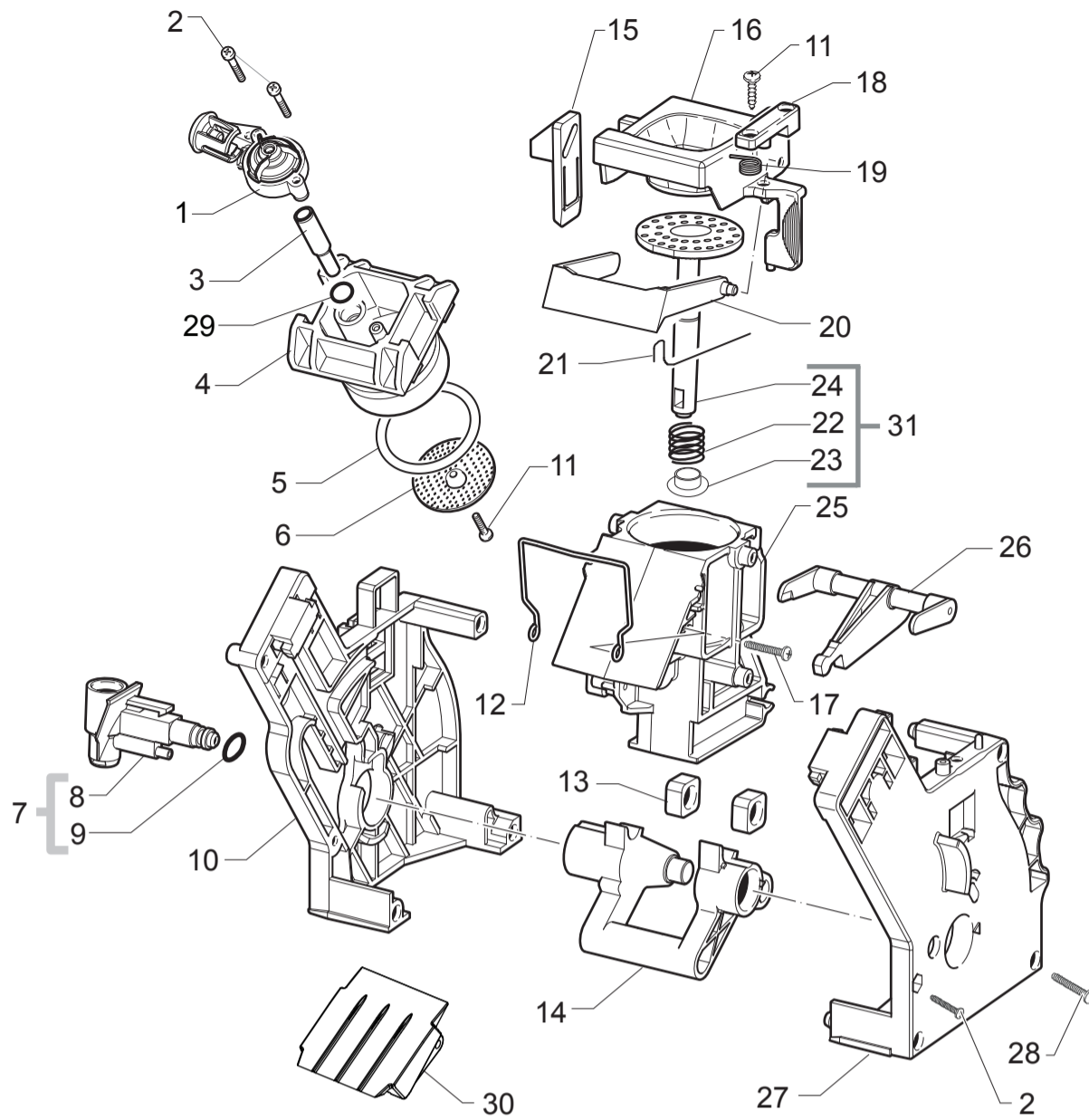
 HD8841/01-09-11  
 HD8842/09  
 HD8844/01-09

 Cod. 882884101010-109300-111010  
 Cod. 882884209870  
 Cod. 882884401010-409300

POS	CODE	12NC	DESCRIPTION	NOTE	POS	CODE	12NC	DESCRIPTION	NOTE
01		421946011491	BLK PIN FOR BOILER VALVE 4BAR ASSY.						
02	140328059	996530013564	OR 2015 SILICONE PTFE/FDA						
03	NM01.035	996530059399	OR ORM 0090-20 SILICONE						
04	NM01.057	996530059419	OR ORM 0050-20 IN SILICONE						
05		421944008911	BLK BREW UNIT DRAWER COFFEE SMR						
06	17000730	996530074054	BLACK BOILER SEAT PIN COVER SMR						
07	9121.046	996530049898	BRONZE SINTERED BUSH FOR MOTOR RATIOMOT.						
08	148380200	996530017424	BAKELIZZATE WASHER D=5,5						
09	9121.044	996530049896	ANTIVIBRATION FOR MOTOR						
10	11005214	996530002796	MOTOR FOR RATIOMOTOR P124 ASSY.						
11	12001728	996530070321	SCREW TCBR TORX 10 3,5X12 PLAST.SS						
12		421944052451	BLK BREW UNIT 8GR.8BAR V3 SBS SMR						
13	9161.132	996530050569	MYLAR WASHER FOR RATIOMOTOR						
14	20000900	996530009913	SPARES KIT GEARS FOR RATIOMOTOR V2						
15	12001841	996530073474	MICROSWITCH XC/SM1						
16	9161.111	996530050555	MAGNET FOR FLOAT SUPERAUT.						
17		421944006861	STEEL SPRING FOR MICRO COMPENSATOR SMR						
18	17001508	996530073469	BLACK MICRO COMPENSATOR SMR						
19	12001890	996530073209	MICROSWITCH XG/V3D						

**PHILIPS**
**PHI 4000 AMF - CMF**

TABLE 5/6



**PHILIPS**

HD8841/01-09-11  
HD8842/09  
HD8844/01-09



Cod. 882884101010-109300-111010  
Cod. 882884209870  
Cod. 882884401010-409300

POS	CODE	12NC	DESCRIPTION	NOTE	POS	CODE	12NC	DESCRIPTION	NOTE
01	11002154	996530001192	SBS VALVE P124 ASSY.						
02	12000550	96530007838	SCREW TCB TORX 10 3X25 PLAST.SS						
03	11009276	996530005372	BLK COUNTER PISTON TUBE BREW UNIT S0053						
04	11001840	996530001046	BLACK COUNTER PISTON BREW UNIT 8GR.P124						
05	NM01.044	996530059406	OR ORM 0320-40 SILICONE PTFE/FDA						
06	9161.268	996530050709	PERCOLATOR DE=35,8 ELFO						
07	20000440	996530009825	BLACK WATER INLET SLEEVE BREW UNIT ASSY.						
08	9161.064.050	996530050488	BLACK WATER INLET SLEEVE BREW UNIT ROYAL						
09	NM02.007	996530059441	OR 2025 IN TERMOIL						
10	9161.375.050	996530050832	BLACK BREW UNIT REAR PLATE SMART						
11	12000895	996530007951	SCREW TSP TORX 10 3X10 PLAST.SS						
12	11001556	996530000898	SS BREW UNIT SPRING H=49 SMART						
13	9161.094.150	996530050541	GREY BREW UNIT DRILLED BLOCK						
14		421944051231	YLW BREW UNIT ELBOW SHAFT M5000						
15		421944046931	YLW BREW UNIT COUPLING PLATE V2 SMART						
16	149261350	996530018241	BLACK HOPPER DOSER BREW UNIT SMART1						
17	129912521	996530013148	SCREW TCB TORX 10 3,5X14 PLAST.SS						
18		421944050711	YLW BREW UNIT HOPPER BLOCKING PLATE SMART						
19	9161.378	996530050838	SS HOPPER SPRING FOR BREW UNIT SMART						
20	11004161	996530002096	BLACK SCRAPER FOR BREW UNIT M5000						
21	9161.046	996530050455	SS SCRAPER SPRING FOR BREW UNIT						
22	9161.198	996530050627	SS.8GR.BREW UNIT PISTON SPRING						
23	9161.191	996530050618	WHITE 8GR.-12GR.BREW UNIT PISTON BUSH						
24		421944025621	BLK BREW UNIT INTEGR.PISTON 8GR.V3 ASSY.						
25		421944040801	BLK BREW UNIT COFFEE CONT.V2 P124 ASSY.						
26	11003078	996530001452	BLACK CONNECTING ROD BREW UNIT 8GR.						
27	11005920	996530003228	BLACK BREW UNIT FRONT PLATE S/SCR.SMART						
28	12000897	996530007953	SCREW TCB TORX 10 3,5X20 PLAST.SS						
29	140328761	996530013575	OR ORM 0060-15 TERMOIL						
30	17000737	996530073426	BLACK BREW UNIT CONVEYOR SLIDE L=56,3						
31		421944029791	BLK BREW UNIT 8GR.INT.PISTON GEN.V3 ASSY						
		421944052451	BLK BREW UNIT 8GR.8BAR V3 SBS SMR						

**PHILIPS**

**PHI 4000 AMF - CMF**

TABLE 6/6