

Service
Service
Service



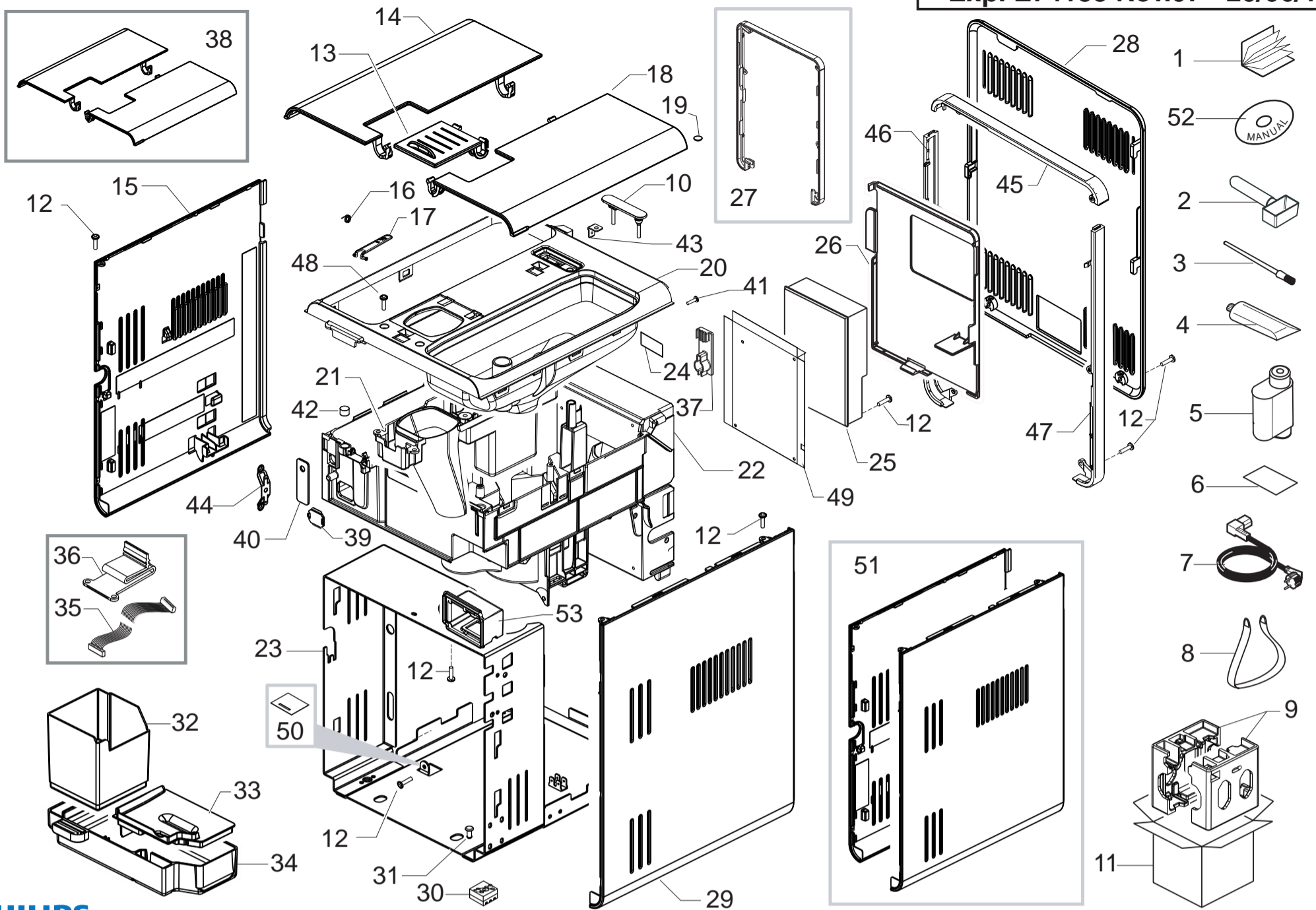
Exploded View

Contents

Table

External / Electronical components	1/8
Front panel / User interface	2/8
Coffee dispenser	3/8
Water container	4/8
Milk carafe	5/8
Water system with slim boiler	6/8
Coffee grinder assembly	7/6
Gear motor / Brewing unit	8/8

All rights reserved. No part of this publication may be reproduced, stored in a retrieval system or transmitted, in any form or by any means, electronic, mechanical, photocopying, or otherwise without the prior permission of Saeco.



PHILIPS

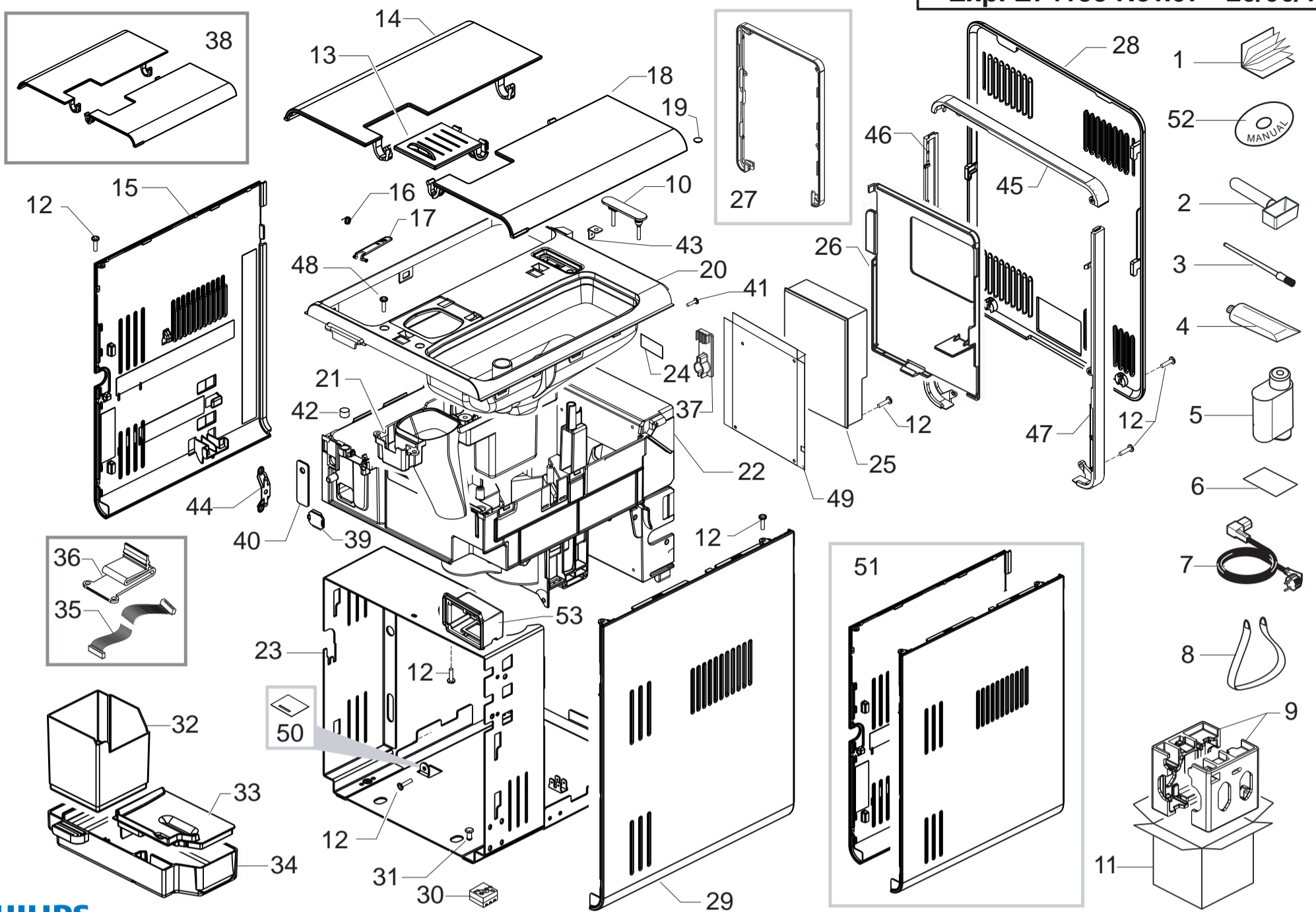
Saeco

HD8854/01-02-03-09-14-15-16 HD8856/01-02
HD8856/03-04-05-06-08-09-41-43-47



Cod.10003287-3521-22-23-25-79-3760-61-3286
Cod.10003524-26-78-3738-39-3808-78-4089-90

POS	CODE	12NC	DESCRIPTION	NOTE	POS	CODE	12NC	DESCRIPTION	NOTE
01	15002582	996530067477	MANUAL PSA HD8854/HD8856 MDS CHN		14	11026339	996530070521	SB/SS WATER CONT.DOOR COVER MDS/H ASSY. FROM S/N TU901208034136	
	15003143	996530070518	MANUAL PSA HD8854/HD8856 MDS PT/BRA			11023040	996530007555	BLACK WATER CONTAINER DOOR MDS/P UP TO S/N TU901231130583 SEE POSITION 38	
	15001999	996530067561	MANUAL PSA HD8854/HD8856 MDS GB			11030827	996530072591	MATT/BLACK WATER CONTAINER DOOR MDS/P FROM S/N TU901231130584	
	15002047	996530067512	MANUAL PSA HD8854/HD8856 MDS FR		15	11028990	996530070519	SB/SS LEFT SIDE PANEL V2 MDS/H ASSY. FROM S/N TU901208034136 UP TO TU901208034135 SEE POSITION 51	SS
	15002330	996530067505	MANUAL PSA HD8854/HD8856 MDS ES			11022955	996530007511	BLACK LEFT SIDE PANEL MDS/P UP TO S/N TU901231130583	CLASS
02	146680850	996530016529	BLACK COFFEE MEASURE SMART			11030825	996530072633	MATT/BLACK LEFT SIDE PANEL MDS/P FROM S/N TU901231130584	CLASS
03	127390100	996530011867	BRUSH FOR CLEANING		17000804	996530069914	SB/SS LEFT SIDE PANEL W/FAST.MDS/H ASSY. UP TO S/N TU901208034135	ONLY USA	
04	11028379	996530070318	PSA KLUBER TRIBOSTAR SIL 2 TUBE 5GR.		11028929	996530070512	SB/SS LEFT SIDE PANEL W/FAST.MDS/H ASSY. FROM S/N TU901208034136	ONLY USA	
05	21002050	996530071872	ACC PSA BRITA WATER FILTER 1UNIT		16	11023035	996530007549	SS SPRING FOR WATER CONTAINER LEVER MDS	
06	0301.961	996530039604	STICKER FOR WATER HARDNESS TEST		17	11022425	996530007364	YELLOW LEVER FOR WATER CONTAIN.S/SC.MYB9	
07	183911050	996530025808	BLACK POWER CABLE SCHUKO L=1200		18	17000400	996530067486	SB/SS BEAN CONTAIN.DOOR COVER MDS/H ASSY UP TO S/N TU901208034135	
	183940650	996530025872	BLACK POWER CABLE AUSTRALIA L=1200			11026340	996530070511	SB/SS BEAN CONTAIN.DOOR COVER MDS/H ASSY FROM S/N TU901208034136	
	11004247	996530002167	BLACK POWER CABLE RVV 3X1 CHINA L=1200			11023046	996530007558	BLACK BEAN CONTAINER DOOR MDS/P UP TO S/N TU901231130583 SEE POSITION 38	
	183930650	996530025858	POWER CABLE CH BLACK 3X1 H05VV-F L=1200			11030828	996530072577	MATT/BLACK BEAN CONTAINER DOOR MDS/P FROM S/N TU901231130584	
	11001985	996530001089	BLACK POWER CABLE KOREA L=1200		19	12001330	996530008026	TRANSP.ROUND ADHESIVE FOOT SJ-5382	
	183970350	996530025882	BLACK POWER CABLE UK L=1200		20	17000113	996530067474	BLACK COVER CASING V2 MDS	
	11004246	996530002166	BLACK POWER CABLE TAIWAN HVCTF L=1200		21	11022950	996530007507	BLACK GROUND COFFEE HOPPER PLATE MDS	
	183921950	996530025843	POWER CABLE SJT3 USA BLACK UL L=1200		22	11023060	996530007567	BLACK HORIZONTAL MOUNTING PLATE MDS	
	17800330	996530069926	BLACK POWER CABLE BRAZIL L=1200	120V	23	11022938	996530067532	BLACK STEEL CASING MDS ASSY.	
	17800019	996530009627	BLACK POWER CABLE BRAZIL L=1200	230V	24	11003232	996530001522	AS.CPU+SW WATER LEVEL SENSOR V2	
08	13001097	996530008404	BAND FOR LIFTING L=1800MM H=300MM		25	11024263	996530067506	PWR BOARD MDS 230V	230V
09	20006892	996530067472	KIT PS-E INSERT FOR BOX MDS			11021342	996530007079	PWR BOARD MYB9/MDS 120V	120V
10	17000111	996530067464	BLACK COVER CONDUCTING SEAL MDS		26	11023061	996530007568	BLACK PWR BOARD COVER MDS	
11	13001130	996530008417	DISPLAY BOX MDS/H PSA EXPRELIA	WE					
	13001252	996530067528	DISPLAY BOX MDS/H PSA EXPRELIA	CEE					
	13001358	996530069911	DISPLAY BOX MDS/H PSA EXPRELIA	USA					
12	12000450	996530007819	SCREW TCBR TORX 10 3,5X12 PLAST.ZN-N						
13	17000399	996530067522	SB/SS GROUND CONT.DOOR COVER MDS/H ASSY. UP TO S/N TU901208034135						
	11026338	996530070513	SB/SS GROUND CONT.DOOR COVER MDS/H ASSY. FROM S/N TU901208034136						
	11024933	996530067448	BLACK GROUND CONTAINER DOOR S/SCR.MDS/P UP TO S/N TU901231130583						
	11030840	996530072588	MATT/BLK GROUND CONTAIN.DOOR S/SCR.MDS/P FROM S/N TU901231130584						
14	17000398	996530067521	SB/SS WATER CONT.DOOR COVER MDS/H ASSY. UP TO S/N TU901208034135						



PHILIPS

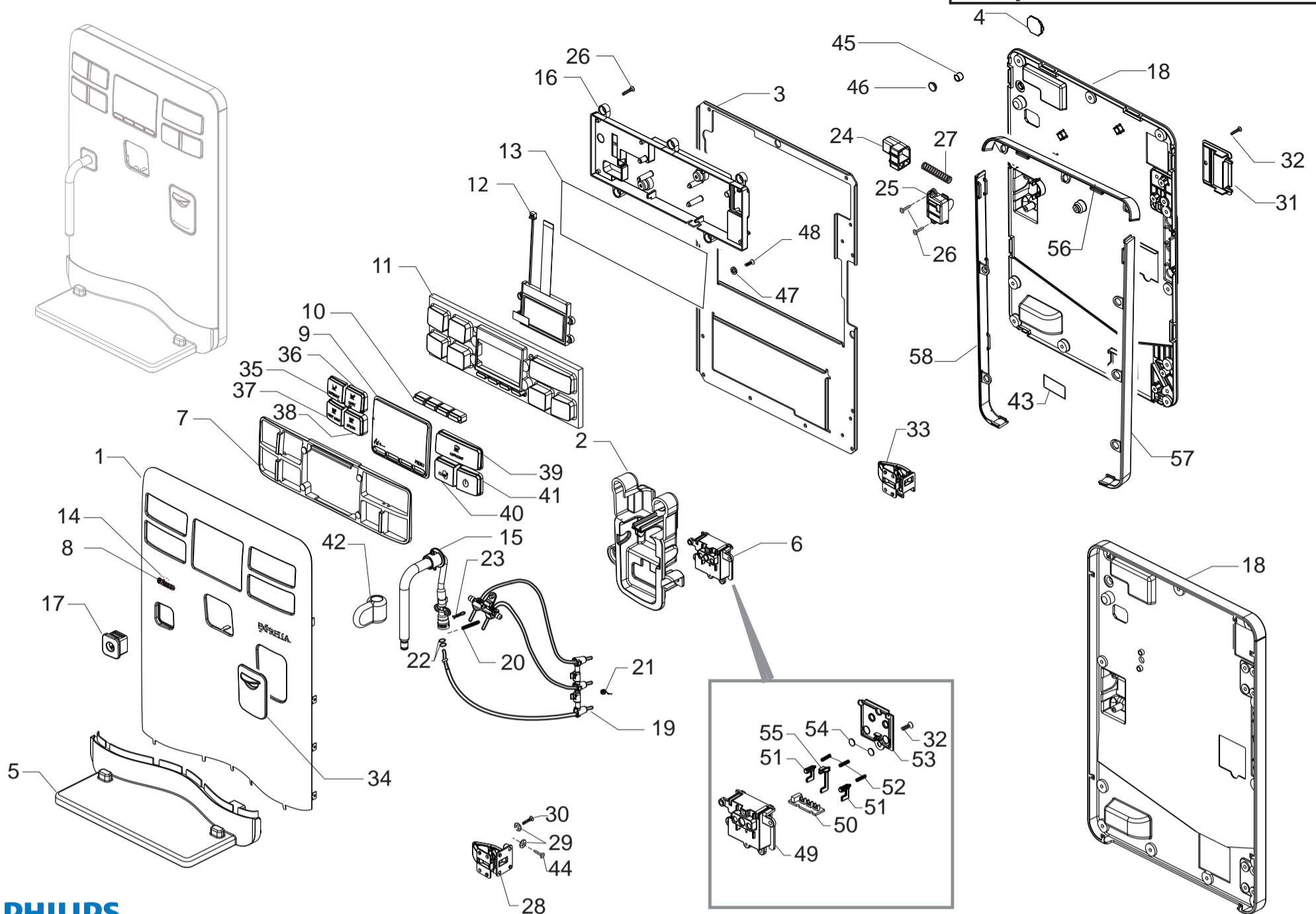
Saeco

HD8854/01-02-03-09-14-15-16 HD8856/01-02
HD8856/03-04-05-06-08-09-41-43-47



Cod.10003287-3521-22-23-25-79-3760-61-3286
Cod.10003524-26-78-3738-39-3808-78-4089-90

POS	CODE	12NC	DESCRIPTION	NOTE	POS	CODE	12NC	DESCRIPTION	NOTE
27	11022984	996530067519	BLK-SB/SS REAR FRAME MDS ASSY. UP TO S/N TU901210043090 - ALL THE OTHERS	KEEP FOR USA	46	17001088	996530069909	BLACK.LEFT LATERAL REAR FRAME INSERT MDS FROM S/N.TU901128094835	
	11025064	996530067475	BLK/BLK REAR FRAME MDS ASSY. UP TO S/N TU901128094834			11025804	996530070517	CHROM.LEFT LATERAL REAR FRAME INS.MDS FROM S/N TU901210043091	
28	11022956	996530007512	BLACK REAR PANEL WHIT LOGO SAECO MDS		47	17001089	996530069908	BLK RIGHT LATERAL REAR FRAME INSERT MDS FROM S/N.TU901128094835	
29	11028928	996530070533	SB/SS RIGHT SIDE PANEL V2 MDS/H ASSY. FROM S/N TU901208034136 UP TO TU901208034135 SEE POSITION 51	SS		11025803	996530070514	CHROM.RIGHT LATERAL REAR FRAME INS.MDS FROM S/N TU901210043091	
	11022954	996530007509	BLACK RIGHT SIDE PANEL MDS/P UP TO S/N TU901231130583	CLASS	48	129912521	996530013148	SCREW TCB TORX 10 3,5X14 PLAST.SS	
	11030826	996530072549	MATT/BLACK RIGHT SIDE PANEL MDS/P FROM S/N TU901231130584	CLASS	49	11023304	996530007613	PWR ELECTR.BOARD INSULATE SHEET MYB9	ONLY USA
	17000806	996530069913	SB/SS RIGHT SIDE PANEL W/FAST.MDS/H ASSY UP TO S/N TU901208034135	ONLY USA	50	17000007	996530066726	COMPONENTS SUPPORT INSULATE SHEET MYB9	ONLY USA
	11028927	996530070515	SB/SS RIGHT SIDE PANEL W/FAST.MDS/H ASSY FROM S/N TU901208034136	ONLY USA	51	20007080	996530070509	KIT SPARES SB/SS RIGHT+LEFT PANEL MDS/H UP TO TU901208034135	
30	11021829	996530007156	BLACK/TRANSP.RIGID FOOT MYB9		52	15003523	996530073223	DOCUMENTAT.CD MDS EXPRELIA/ENERGICAASSY	
31	11021769	996530007136	BLACK RIGID FOOT FIXING PIN MYB9		53	17001686	996530073349	BLACK DOOR UPPER HINGE COVER MDS	
32	11026673	996530073497	BLACK DUMP BOX MDS ASSY.						
33	11023032	996530007547	BLK DRIP TRAY COFF.BREW UNIT COVER MDS						
34	17002176	996530073075	BLACK COFFEE UNIT DRIP TRAY V2 MDS						
35	11023166	996530007589	40POLES FLAT CABLE BOARDS LINK MDS UL						
36	11013806	996530006864	BLACK FLAT-CABLE PROTECTION MYB9						
37	17000064	996530067437	BLK CAPACIT.SENSOR DEADLOCK INSERT XSM						
38	20007164	996530072935	KIT SPAR.MATT/BLK CASING CONT.DOOR MDS/P UP TO S/N TU901231130583						
39	17000363	996530009605	TRANSP.INFRAREDS PLATE MDS						
40	11021976	996530007207	STEEL PLATE FOR DOOR CLOSURE MYB9						
41	129913202	996530013156	SCREW TCB TORX 10 3X8 PLAST.ZN-B						
42	9161.111	996530050555	MAGNET FOR FLOAT SUPERAUT.						
43	186401220	996530026185	BENT TABS 6,3 D=3,3 <=90° 4001851000						
44	11006740	996530003793	BRONZE SPRING FOR FRONT CASING G0053						
45	17001087	996530069912	BLACK.UPPER REAR FRAME INSERT MDS FROM S/N.TU901128094835						
	11025802	996530070516	CHROM.UPPER REAR FRAME INSERT MDS FROM S/N TU901210043091						



PHILIPS

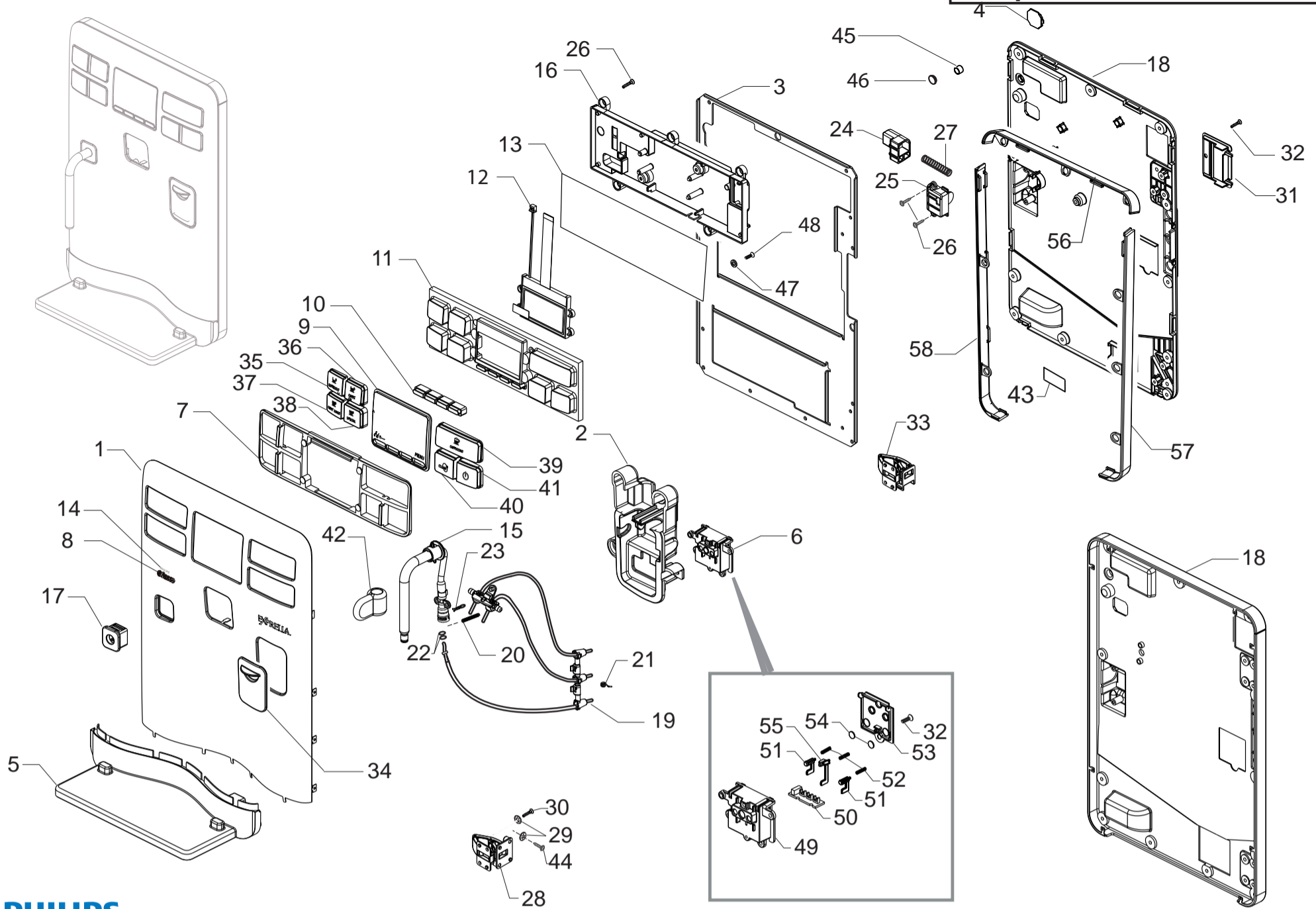
Saeco

HD8854/01-02-03-09-14-15-16 HD8856/01-02
HD8856/03-04-05-06-08-09-41-43-47



Cod.10003287-3521-22-23-25-79-3760-61-3286
Cod.10003524-26-78-3738-39-3808-78-4089-90

POS	CODE	12NC	DESCRIPTION	NOTE	POS	CODE	12NC	DESCRIPTION	NOTE
01	11026136	996530069608	SB/SS FRONTAL PANEL V2 S/SCR.MDS ASSY. UP TO S/N TU901208034135		19	17000062	996530067476	WHT PREFORM.TEFLON TUBES SUPP.MDS ASSY.	
	11029322	996530070526	SB/SS FRONTAL PANEL V3 S/SCR.MDS ASSY. FROM S/N TU901208034136		20	17000006	996530009559	TWO WAY TEFLON TUBES SUPPORT SPRING MYB9	
	11026135	996530069916	SB/SS FRONTAL PANEL V2 MDS ASSY. UP TO S/N TU901208034135	ONLY USA	21	11013785	996530006856	STEEL TEFLON TUBES SUPPORT SPRING MYB9	
	11029321	996530073224	SB/SS FRONTAL PANEL V2 MDS ASSY. FROM S/N TU901208034136	ONLY USA	22	140328059	996530013564	OR 2015 SILICONE PTFE/FDA	
02	11023433	996530007629	BLACK FRONTAL PANEL INSERT MDS		23	9011.144	996530048885	SS FORK FOR TUBE D=4	
03	11022981	996530007525	STEEL FRONT FRAME MDS UP TO S/N TU901210043090		24	11014215	996530007042	BLACK BUTTON FOR DOOR RELEASE MYB9	
04	17000363	996530009605	TRANSP.INFRAREDS PLATE MDS		25	11014218	996530007043	BLACK COVER BUTTON FOR DOOR RELEASE MYB9	
05	11029324	996530070524	BLACK DRIP TRAY SUPPORT V2 MDS		26	12000450	996530007819	SCREW TCBR TORX 10 3,5X12 PLAST.ZN-N	
06	11022986	996530067487	BLK CARAFFE BOARD SUPPORT GEN.MDS ASSY.		27	11021747	996530007128	SPRING FOR DOOR RELEASE BUTTON MYB9	
07	11023913	996530007679	CHROM.TOUCH PANEL SUPPORT MDS UP TO S/N TU901126079436		28	17000094	996530009581	DOOR LOWER HINGE V2 MYB9	
	11025809	996530067855	CHROM.TOUCH PANEL SUPPORT MDS ASSY. FROM S/N TU901126079437 TO TU901242180832		29	128310402	996530012341	GALV.WASHER UNI 8842 A4	
	17000778	996530073225	CHROM.TOUCH PANEL SUPPORT V2 MDS ASSY. FROM S/N TU901242180833		30	12001591	996530067488	GALV.SCREW TCB 4,2X13 DIN 7985 F	
08	11011406	996530006054	ADHES.SILVER PLATE LOGO SAECO P0057		31	17000048	996530067469	BLACK FLAT-CABLE COVER MDS	
09	17000989	996530067458	TRANSP.GLASS FOR DISPLAY S/SCR.MDS UP TO S/N TU901242180832		32	12000895	996530007951	SCREW TSP TORX 10 3X10 PLAST.SS	
	17000776	996530073066	TRANSP.GLASS V2 FOR DISPLAY S/SCR.MDS FROM S/N TU901242180833		33	17000106	996530009584	DOOR UPPER HINGE V2 MYB9	
10	17000325	996530067462	BLK DISPLAY FUNC.BUTTONS COVER S/SCR.MDS		34	11023368	996530007622	CHROM.CONNECT.CAP FOR CARAFE MDS ASSY.	
11	11023018	996530007538	TRANSP.TOUCH PANEL MDS		35	17000549	996530067484	BLACK ESPRESSO BUTTON S/SCR.MDS UP TO S/N TU901231130583	
12	12001490	996530067494	GRAPHIC DISPLAY 128 X 64 MDS			11030884	996530072765	MATT/BLK ESPRESSO BUTTON S/SCR.MDS FROM S/N TU901231130584	
13	11022396	996530007353	CPU+SW MDS ASSY.		36	17000550	996530067492	BLACK COFFEE BUTTON S/SCR.MDS UP TO S/N TU901231130583	
14	11024301	996530067434	ADHES.SILVER PLATE LOGO PHILIPS			11030838	996530072772	MATT/BLK COFFEE BUTTON S/SCR.MDS FROM S/N TU901231130584	
15	11023819	996530067467	TF/CHROM.STEAM TUBE MDS ASSY.		37	17000551	996530067526	BLACK LONG COFFEE BUTTON S/SCR.MDS UP TO S/N TU901231130583	
16	11022983	996530007527	BLACK DISPLAY SUPPORT MDS			11030835	996530072764	MATT/BLK LONG COFFEE BUTTON S/SCR.MDS FROM S/N TU901231130584	
17	11023021	996530007542	CHROM.EXTERNAL STEAM TUBE INSERT MDS		38	17000552	996530067523	BLACK SPECIAL BUTTON S/SCR.MDS UP TO S/N TU901231130583	
18	11022985	996530067515	BLK-SB/SS INSIDE COVER FRON.PANEL MDS AS UP TO S/N TU901210043090			11030886	996530072743	MATT/BLK SPECIAL BUTTON S/SCR.MDS FROM S/N TU901231130584	
	11030578	996530072409	BLK INSIDE COVER FRONT PANEL V3 MDS FROM S/N TU901210043091		39	17000553	996530067508	BLACK CAPPUCCINO BUTTON S/SCR.MDS UP TO S/N TU901231130583	
						11030880	996530072747	MATT/BLK CAPPUCCINO BUTTON S/SCR.MDS FROM S/N TU901231130584	
					40	17000554	996530067502	BLACK CLEAN BUTTON S/SCR.MDS UP TO S/N TU901231130583	



PHILIPS

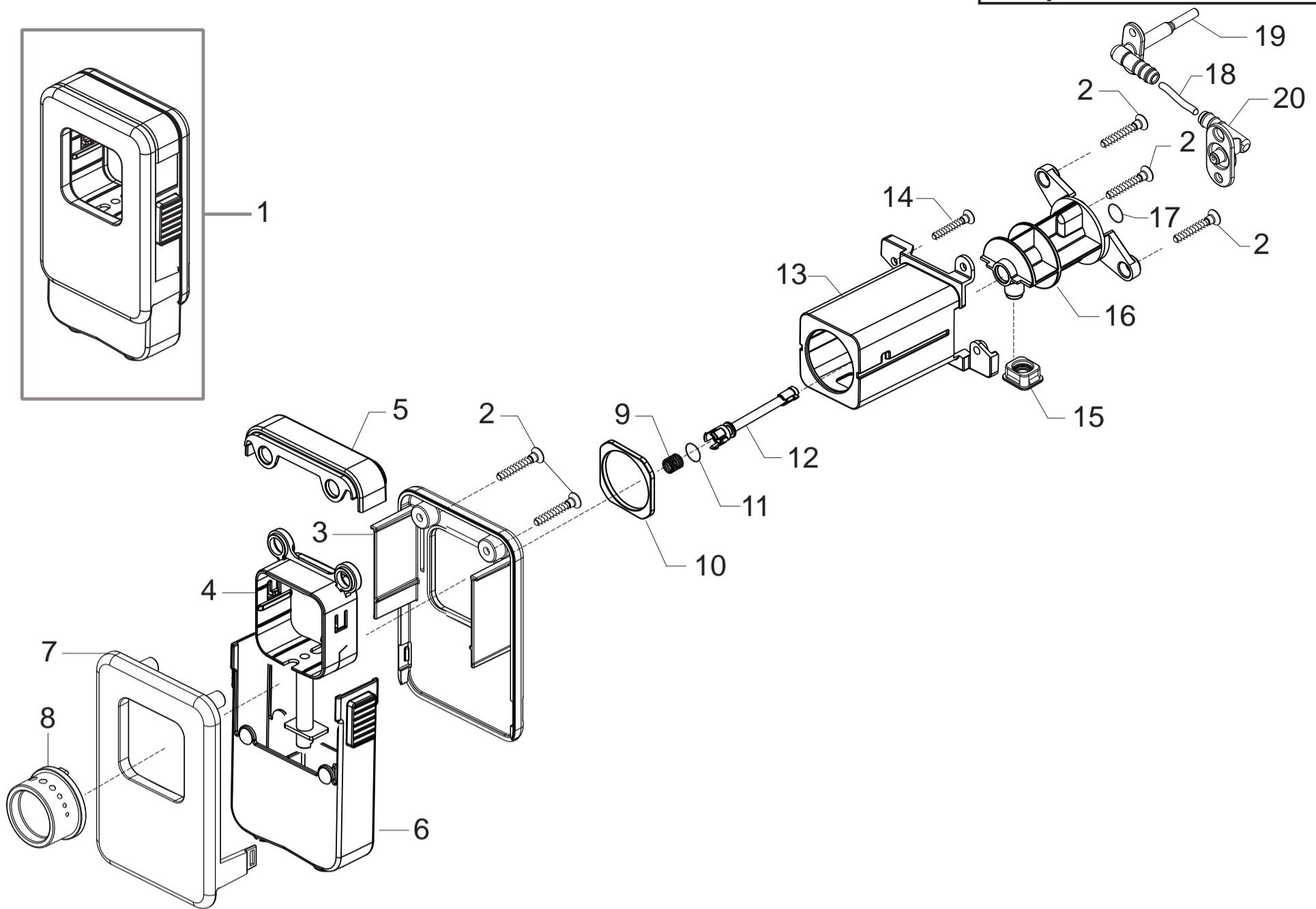
Saeco

HD8854/01-02-03-09-14-15-16 HD8856/01-02
HD8856/03-04-05-06-08-09-41-43-47



Cod.10003287-3521-22-23-25-79-3760-61-3286
Cod.10003524-26-78-3738-39-3808-78-4089-90

POS	CODE	12NC	DESCRIPTION	NOTE	POS	CODE	12NC	DESCRIPTION	NOTE
40	11030882	996530072732	MATT/BLK CLEAN BUTTON S/SCR.MDS FROM S/N TU901231130584						
41	17000591	996530067511	BLACK STAND-BY BUTTON S/SCR.MDS ASSY. UP TO S/N TU901231130583						
	11030889	996530072749	MATT/BLK STAND-BY BUTTON S/SCR.MDS ASSY. FROM S/N TU901231130584						
42	17000110	996530067454	BLACK STEAM TUBE HANDGRIP MDS						
43	11000651	996530000425	WATER LEVEL SENSOR BOARD P124 UP TO S/N TU901235137009						
	11003232	996530001522	AS.CPU+SW WATER LEVEL SENSOR V2 FROM S/N TU901235137010						
44	129823821	996530013079	TCB SCREW M4X8 UNI 7687 SS						
45	9161.111	996530050555	MAGNET FOR FLOAT SUPERAUT.						
46	11014016	996530006968	SS.INSERT FOR MAGNET MYB9						
47	128310321	996530012339	WASHER UNI 8842 A3 SS						
48	129912902	996530013153	SCREW TCB TORX 10 AB 2,9X6,5 SHEET ZN-B						
49	11023238	996530007602	AS.SUPP.SCHEDA CARAF.V4 MYB9 NER.						
50	11013368	996530006754	MILKCARAFFE BOARD V2 MYB9						
51	17000002	996530009555	BLACK CARAFE MICRO INSERT V2 MYB9						
52	17000019	996530009566	SS CARAFE MICRO INSERT SPRING MYB9						
53	11013328	996530006745	BLACK CARAFFE BOARD COVER MYB9						
54	12001330	996530008026	TRANSP.ROUND ADHESIVE FOOT SJ-5382						
55	17000045	996530009578	BLK PRESENCE CARAFE MICRO INSERT V2 MYB9						
56	11025799	996530070525	CHROM.UPPER FRONT FRAME INSERT MDS FROM S/N TU901210043091						
57	11025800	996530070527	CHROM.RIGHT LATERAL FRONT FRAME INS.MDS FROM S/N TU901210043091						
58	11025801	996530070528	CHROM.LEFT LATERAL FRONT FRAME INS.MDS FROM S/N TU901210043091						



PHILIPS

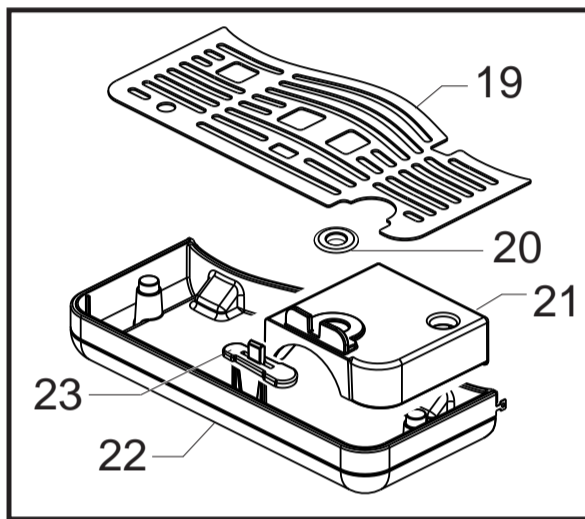
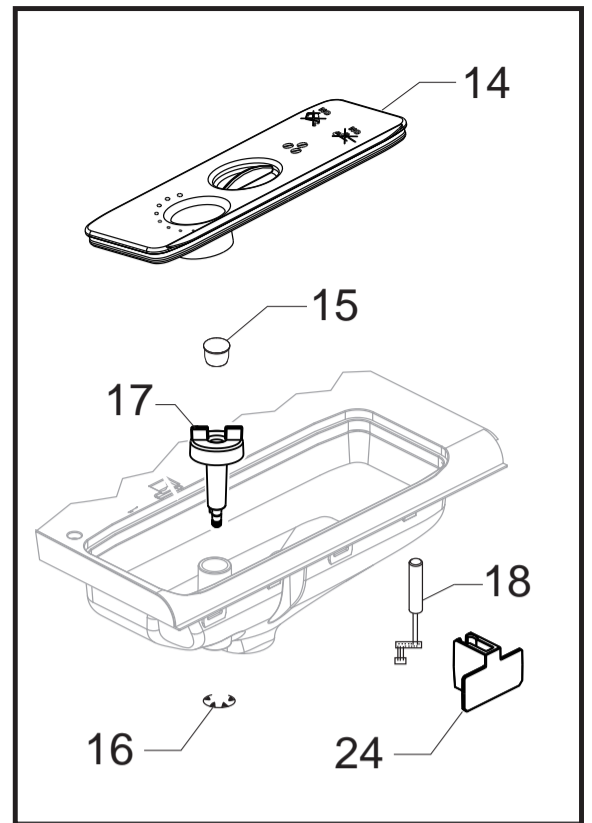
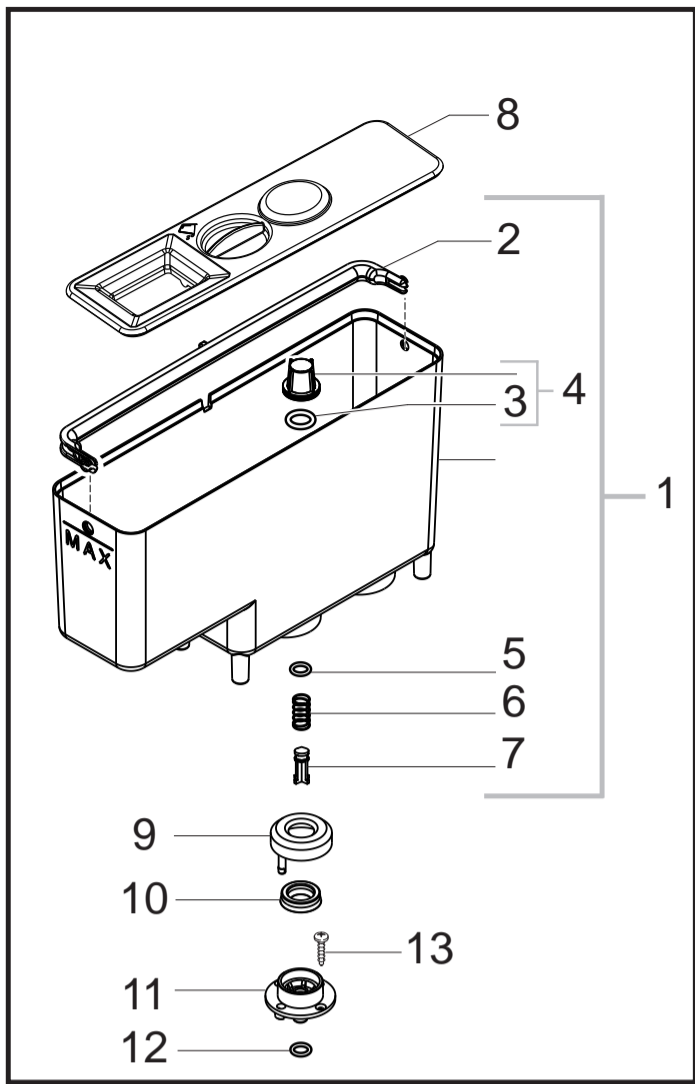
Saeco

HD8854/01-02-03-09-14-15-16 HD8856/01-02
HD8856/03-04-05-06-08-09-41-43-47



Cod.10003287-3521-22-23-25-79-3760-61-3286
Cod.10003524-26-78-3738-39-3808-78-4089-90

POS	CODE	12NC	DESCRIPTION	NOTE	POS	CODE	12NC	DESCRIPTION	NOTE
01	11023024	996530067482	CHROM.COFFEE DISPENSER MDS ASSY. WITH PART. N° 02 - 03 - 04 - 05 - 06 - 07						
02	12000450	996530007819	SCREW TCB TORX 10 3,5X12 PLAST.ZN-N						
03	11025081	996530067453	BLACK.REAR COVER COFFEE DISPENSER MDS						
04	17002177	996530073046	BLK COFFEE DISPENSER INNER BODY V3 MYB9						
05	11023814	996530007671	CHROM.COFFEE DISPENSER UPPER INSERT MDS						
06	11023019	996530007539	BLACK EXT.MOBILE PART COF.DISPENSER MDS						
07	11023812	996530007668	CHROM.FRONT COVER COFFEE DISPENSER MDS						
08	11023012	996530007534	CHROM.CREAM ADJUSTMENT KNOB S/SCR.MDS						
09	126772518	996530011711	SS COFF.CREAM ADJUSTMENT SHAFT SPRING						
10	11013324	996530006743	BLACK CREAM ADJUSTMENT KNOB RING MYB9						
11	140326661	996530013546	OR ORM 0040-20 BLACK EPDM						
12	140640200	996530013621	WHITE COFFEE CREAM ADJUSTMENT SHAFT						
13	11022919	996530007492	CHROM.COFFEE DISPENSER SUPPORT MDS						
14	12000897	996530007953	SCREW TCB TORX 10 3,5X20 PLAST.SS						
15	11013072	996530006604	BLACK SEAL FOR COFFEE DISPENSER MYB9						
16	11013013	996530006585	BLACK COFFEE DISPENSER TUBE MYB9						
17	12000070	996530007732	OR ORM 0060-15 SILICONE						
18	149360200	996530018269	SILICONE TUBE 5X8 70SR IN ROLL						
19	11013364	996530006752	BLACK DISPENSER COFF.INLET CONNECT.MYB9						
20	11012926	996530006575	BLACK COFFEE DISPENSER CONNECTOR MYB9						



PHILIPS

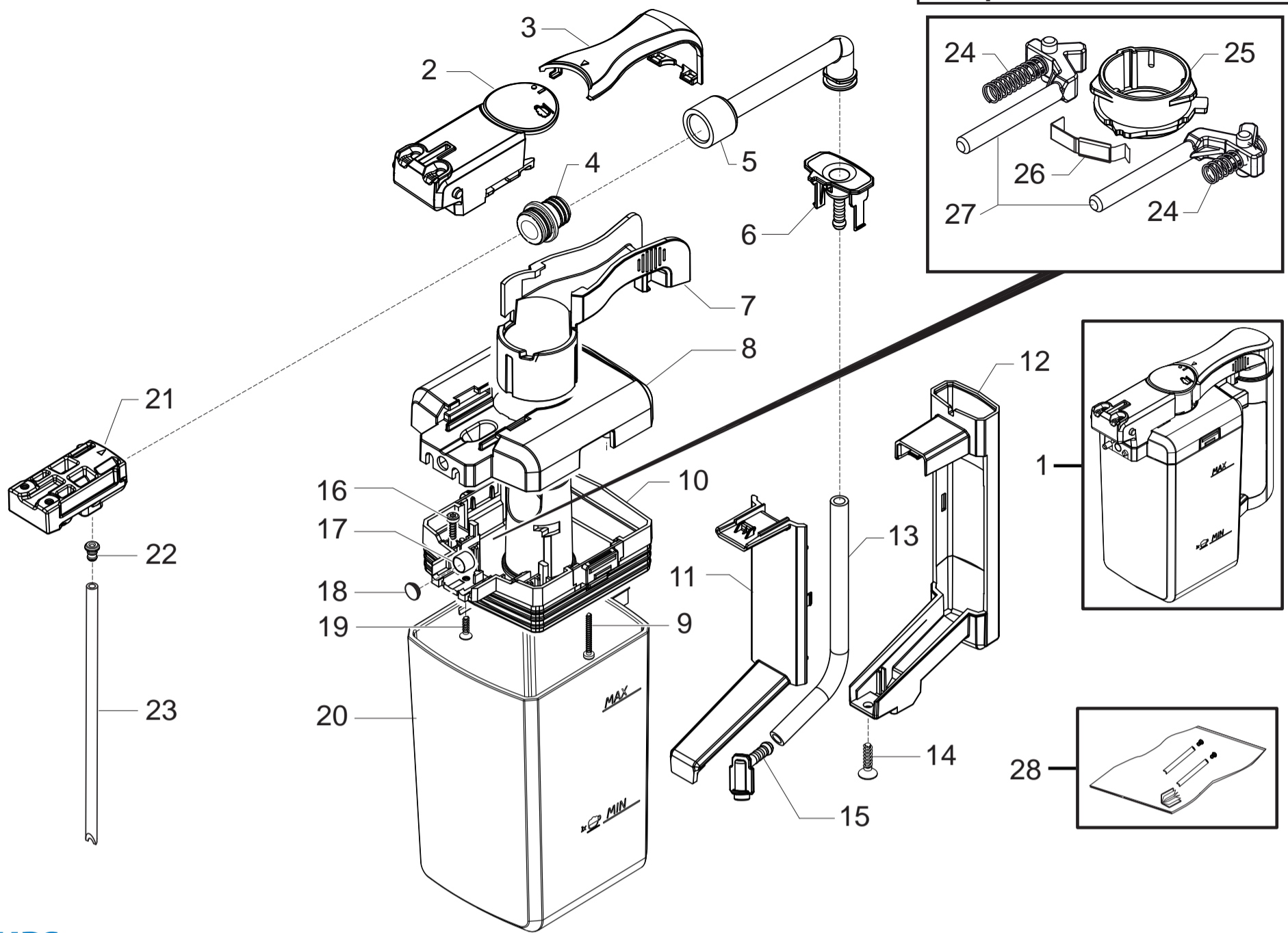
Saeco

HD8854/01-02-03-09-14-15-16 HD8856/01-02
HD8856/03-04-05-06-08-09-41-43-47



Cod.10003287-3521-22-23-25-79-3760-61-3286
Cod.10003524-26-78-3738-39-3808-78-4089-90

POS	CODE	12NC	DESCRIPTION	NOTE	POS	CODE	12NC	DESCRIPTION	NOTE
01	11023037	996530007552	NAT/GREY WATER CONTAINER MDS ASSY.						
02	11023155	996530007587	BLACK WATER CONTAINER HANDLE MDS						
03	140328461	996530013571	OR ORM 0190-10 EPDM						
04	224640200	996530029115	WHITE WATER CONTAINER EXT.FILTER ASSY.	WITH PART.N°03					
05	140324362	996530013507	OR ORM 0060-30 SILICONE						
06	126764718	996530011626	SS WATER CONTAINER VALVE SPRING						
07	147660562	996530016894	GREY PISTON FOR WATER CONTAINER VALVE						
08	11023039	996530007554	NAT/GREY WATER CONTAINER LID S/SCR.MDS						
09	0701.031.150	996530044417	GREY WATER VALVE GACO DIM 14 SEAL COVER						
10	145842900	996530015823	NBR WATER CONT.VALVE GACO DIM14 SEAL						
11	0701.014.150	996530044404	GREY WATER VALVE GACO DIM 14 SEAL CONT.						
12	140320461	996530013446	OR ORM 0080-20 TERMOIL						
13	129535721	996530012898	SCREW TSP TORX 10 AB 3,5X9,5 SHEET SS						
14	11023044	996530007557	NAT/GRY BEAN COF.CONT.LID S/SCR.MDS ASSY						
15	149213059	996530018116	GREY CAP FOR KNOBS BEAN CONTAINER						
16	120350604	996530010768	SHAFT 6 UNI 7434						
17	11022951	996530007508	BLACK GRIND.ADJUSTMENT KNOB MDS						
18	17800430	996530073402	5POLES CONNECTOR MC SENSORS V2 MDS UL						
19	11023025	996530007543	SS DRIP TRAY GRATE MDS						
20	17000147	996530066732	BLACK GRATE SEAL V3 MYB9/H-P						
21	11023030	996530007545	BLACK DRIP TRAY COVER MDS						
22	11023029	996530067463	SM/SS-BLACK DRIP TRAY MDS ASSY.	SS					
	17001492	996530072594	BLACK DRIP TRAY MDS/P ASSY.	CLASS					
23	17000001	996530009554	RED FLOAT FOR DRIP TRAY MDS						
24	17000204	996530067529	BLACK REED SENSOR SUPPORT MDS						



PHILIPS

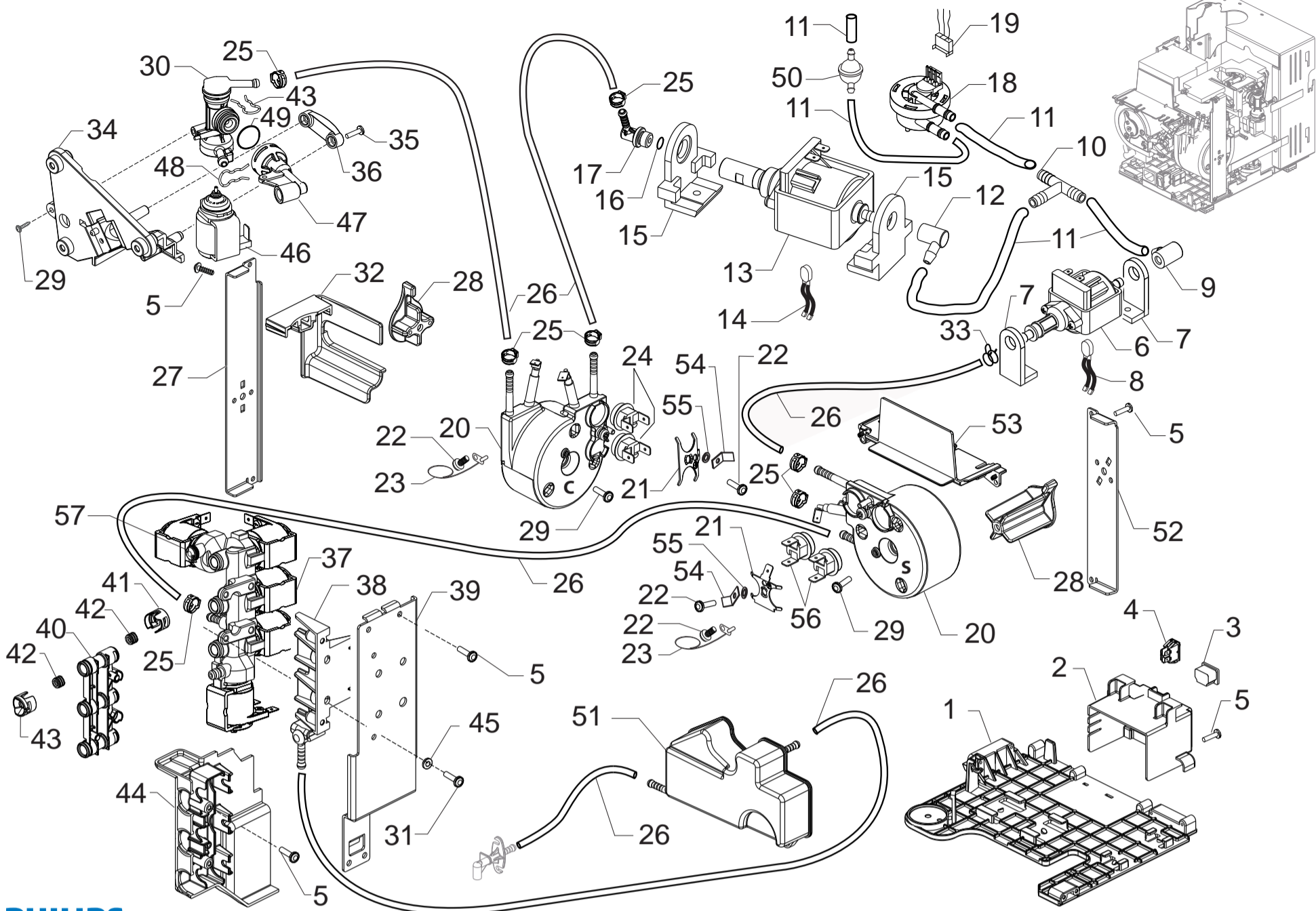
Saeco

HD8854/01-02-03-09-14-15-16 HD8856/01-02
HD8856/03-04-05-06-08-09-41-43-47



Cod.10003287-3521-22-23-25-79-3760-61-3286
Cod.10003524-26-78-3738-39-3808-78-4089-90

POS	CODE	12NC	DESCRIPTION	NOTE	POS	CODE	12NC	DESCRIPTION	NOTE
01	11023077	996530067527	TRANSP/CHROM.GEN.CARAFE MYB9/MDS ASSY.						
02	11023235	996530007599	CHR.CARAFE CAPP.COVER V2 S/SC.MYB9 ASSY.						
03	11022498	996530007389	CHR.CARAFE UPPER DISPEN.SUPP.V2 S/S.MYB9						
04	11012812	996530006527	VENTURI TUBE FOR CAPPUCINATORE MYB9						
05	11012678	996530006463	BLACK CARAFE MILK DISPENSER TUBE MYB9						
06	11013163	996530006668	BLACK UPPER TUBE CARAFE CONNECT.MYB9						
07	11022496	996530007388	CHRO.CARAFE LOWER DISPENSER SUPP.V2 MYB9						
08	11030950	996530072575	MATT/BLACK UPPER COVER PART CARAFE MYB9						
09	12000550	996530007838	SCREW TCB TORX 10 3X25 PLAST.SS						
10	11021893	996530007192	BLACK LOWER COVER PART CARAFE MYB9 ASSY.						
11	11013466	996530006784	CHROM.CARAFE REAR PART HANDLE MYB9						
12	11023158	996530007588	CHROM.CARAFE FRONT PART HANDLE V2 MYB9						
13	149360200	996530018269	SILICONE TUBE 5X8 70SR	IN ROLL					
14	129911721	996530013137	SCREW TSP TORX 4X16 PLAST STEEL						
15	11013164	996530006669	BLACK LOWER TUBE CARAFE CONNECT.MYB9						
16	129910921	996530013128	SCREW TCB TORX 10 3X10 SS						
17	9161.111	996530050555	MAGNET FOR FLOAT SUPERAUT.						
18	11014016	996530006968	SS.INSERT FOR MAGNET MYB9						
19	12000895	996530007951	SCREW TSP TORX 10 3X10 PLAST.SS						
20	11024104	996530007705	TRANSP.CARAFE V3 S/SCREEN MYB9						
21	17000004	996530009557	BLK CARAFE CAPPUCIN.CASING W/CAPS MYB9						
22	11012813	996530006528	BLACK MILK TUBE CONNECTOR MYB9						
23	11012814	996530067584	SILICONE TUBE 3,5X6 L=140 MM						
24	11013765	996530006849	STEEL SPRING FOR CARAFE LEVER MYB9						
25	11022522	996530007393	BLACK CAM FOR CARAFE LEVERS V2 MYB9						
26	11013832	996530006873	CARAFE SPRING WITH INSERT MYB9 ASSY.						
27	17000131	996530067459	BLACK LEVER FOR CARAFE CAM V3 MYB9						
28	11028534	996530070326	PSA MILK ACCESSORY PACK ASSY.						



PHILIPS

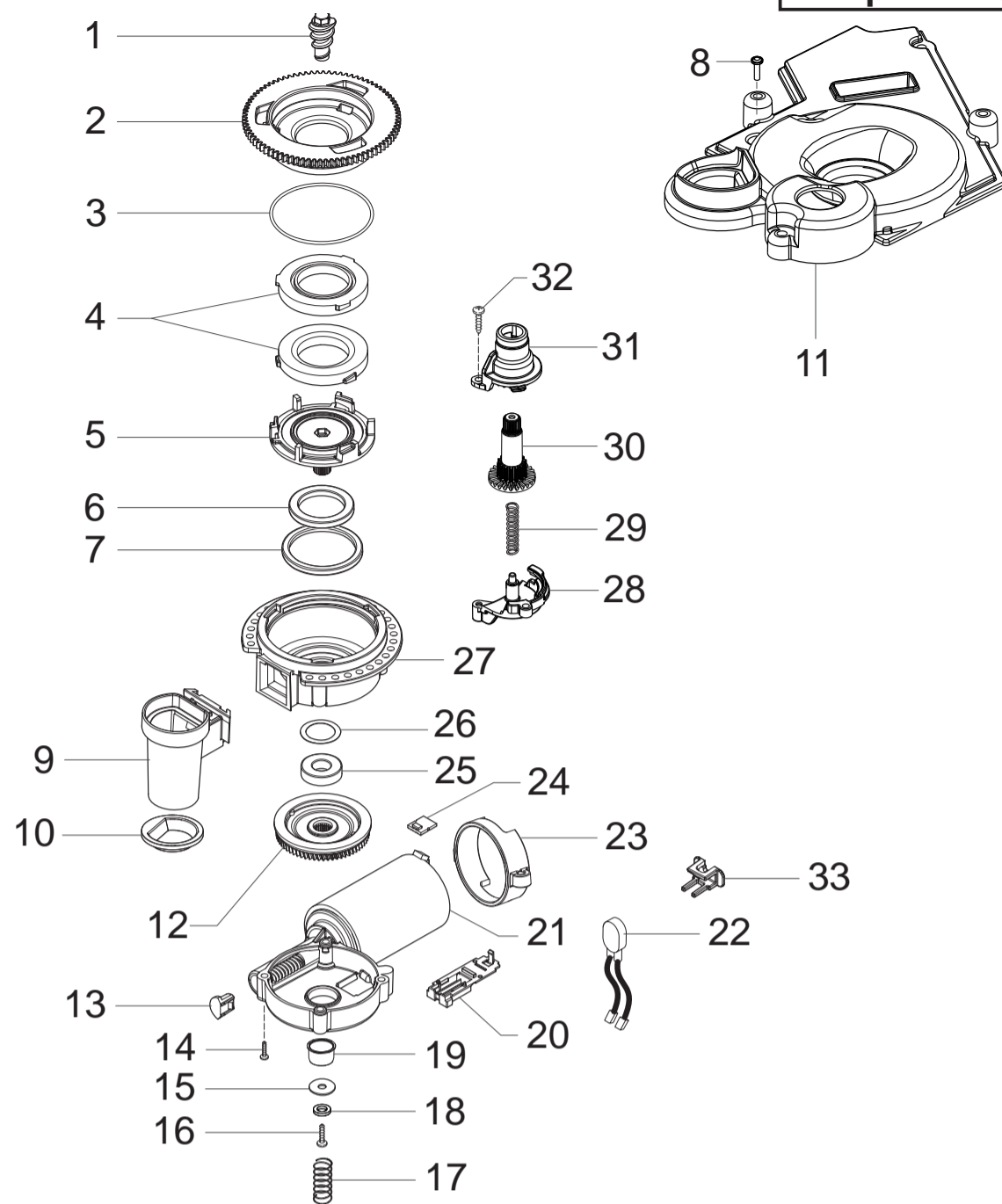
Saeco

HD8854/01-02-03-09-14-15-16 HD8856/01-02
HD8856/03-04-05-06-08-09-41-43-47



Cod.10003287-3521-22-23-25-79-3760-61-3286
Cod.10003524-26-78-3738-39-3808-78-4089-90

POS	CODE	12NC	DESCRIPTION	NOTE	POS	CODE	12NC	DESCRIPTION	NOTE	
01	11023066	996530007572	BLACK COMPONENTS SUPPORT MDS		38	11023052	996530007563	BLACK DIFFUSER VALVE SUPPORT MDS		
02	11023074	996530067449	BLACK SOCKET-SWITCH SUPPORT MDS		39	11023914	996530067495	BLACK STEEL DIFFUSER VALVE SUPPORT MDS		
03	12001883	996530072437	CUP SOCKET V3 EN 60320 C 13		40	11023053	996530007564	BLACK DOOR TUBES COUPLING CONNECTOR MDS		
	12001645	996530069782	CUP SOCKET V2 EN 60320 C 13	UL	41	11023048	996530007561	BLACK EV CONNECTOR INSERT MDS		
04	NE03.038	996530058836	BIPOLAR SWITCH FUSIT C1250AR		42	11013789	996530006858	BLACK EV CONNECTOR SEAL MYB9		
05	12000450	996530007819	SCREW TCBR TORX D10 3,5X12 PLAST.ZN-N		43	11013788	996530006857	BLACK EV CONNECTOR INSERT MYB9		
06	12001212	996530008003	ULKA PUMP MF 230V-50HZ	230V-50HZ	44	11023054	996530007565	BLACK DOOR TUBES COUPLING PROTECTION MDS		
	12001348	996530008031	ULKA PUMP MF 220V-50/60HZ	220V-50/60HZ	45	11021842	996530007158	SOLENOID VALVE CONNECT.INSUL.WASHER MYB9		
	12001346	996530008028	ULKA PUMP MF 120V-60HZ	120V-60HZ	46	20000590	996530009859	BLOWDOWN VALVE COIL P0049 ASSY. 230V	230V	
07	11012194	996530006315	BLACK/SBR ULKA MF PUMP SUPPORT			20000920	996530009914	BLOWDOWN VALVE COIL P0049 ASSY 220V-60HZ	220V-60HZ	
08	11022888	996530007481	2POLES CONNECTOR STEAM PUMP MDS UL			20000680	996530009874	BLOWDOWN VALVE COIL P0049 ASSY. 120V	120V	
09	11012193	996530006314	90° INLET CONNECTOR FOR PUMP ULKA MF		47	11007565	996530004421	BLACK BLOWDOWN VALVE CONNECTOR V2 P0049		
10	147920300	996530017351	TRANS.CONNECTOR D=8 ART.80.26.047 KA.461		48	11005096	996530002744	SS FORK SPRING FOR BLOWDOWN VALVE P0049		
11	JS01.022	996530057357	SILICONE TUBE 5X10 60SH I	N ROLL	49	12000620	996530007856	OR ORM 0130-20 EPDM		
12	147920150	996530017348	90° INLET PUMP CONNECTOR		50	12001595	996530067498	TRANSP/WHITE ASPIRATION FILTER MDS		
13	12000140	996530007753	ULKA PUMP EP5/S GW 230V-50HZ	230V-50HZ	51	17000408	996530009606	BLACK STEAM BLOWDOWN CONDENSER MDS ASSY.		
	12000182	996530007782	ULKA PUMP EP5/S GW 220V-60HZ	220V-60HZ	52	11023070	996530007574	STEEL STEAM TUBOL.BOILER SUPPORT MDS		
	12000142	996530007754	ULKA PUMP EAP5/S 120V-60HZ	120V-60HZ	53	17000226	996530067501	BLK HORIZONTAL MOUNTING PLATE INSERT MDS		
14	11022885	996530007477	2POLES CONNECTOR COFFEE PUMP MDS UL		54	124390520	996530011326	BRASS BENT FASTON 45° 6,3X0,8		
15	11022857	996530007468	BLACK PUMP SUPPORT GMYB		55	128310402	996530012341	GALV.WASHER UNI 8842 A4		
16	140321961	996530013471	O-RING 2031 TERMOIL		56	-	421940813001	KIT SPARES STEAM BOILER THERMOSTATS		
17	11001054	99653000624	BLK PUMP OUTLET 90°CONNECTOR P0049/B		57	11013825	996530006868	BLACK MILK-AIR FLOW SELECTOR MYB9		
18	NV99.099	996530059843	TURBINE D=1,2 932-8521/00 ASSY.			11006995	996530003974	BLOWDOWN VALVE V2 MYB9 ASSY. 230V	230V	
19	11022925	996530007494	6POLES CONNECTOR FLOWMETER MDS UL			11021989	996530007212	BLOWDOWN VALVE V2 MYB9 ASSY. 220V-60HZ	220V-60HZ	
20	11013735	996530006841	SLIM TUB.BOILER ASSY. 1300W 230V	230V-1300W		11022038	996530007215	BLOWDOWN VALVE V2 MYB9 ASSY. 120V	120V	
	11023153	996530007586	SLIM TUB.BOILER ASSY. 1300W 120V	120V-1300W			-	421941302131	SLIM TUB.BOIL.C2 T150-204 AS	230V-1300W
21	11001751	996530000997	TUB.BOILER V3 UPPER THERM.FIXING SPRING				-	421941302101	SLIM TUB.BOIL.C2 T170-204 AS	230V-1300W
22	129573402	996530012923	SCREW TAPT M4X10 DIN 7985 GALV				-	421941302141	SLIM TUB.BOIL.C2 T150-204 AS	120V-1300W
23	190800100	996530026997	TEMPERATURE SENSOR NTC UL L=280MM				-	421941302111	SLIM TUB.BOIL.C2 T170-204 AS	120V-1300W
24	-	421940812991	KIT SPARES COFFEE BOILER THERMOSTATS							
25	12000892	996530007947	OETIKER CLAMP D=9,5 16700004							
26	16000380	996530009505	5X8,9 SILICONE TUBE	IN ROLL						
27	17001900	996530073079	STEEL COFFEE TUBOL.BOILER SUPPORT V2 MDS							
28	11023282	996530007608	BLACK SLIM TUB.BOILERS SUPPORT MYB9							
29	12001369	996530008039	SCREW TSP TORX 10 5X35 PLAST.SS							
30	20006558	996530010201	BLOWDOWN VALVE CASING MYB9 ASSY.							
31	129914302	996530013168	SCREW TORX M4X10 TESTA D=8X1,5 GALV							
32	11023071	996530007575	BLK COFFEE BOILER INSULATING COVER MDS							
33	184320200	996530025907	SPRING HOSE CLAMP D=9,5MM							
34	11012206	996530006317	BLACK BLOWDOWN VALVE SUPPORT MYB9							
35	129913902	996530013164	SCREW TCB TORX 10 3X12 PLAST.ZN-B							
36	11013711	996530006834	BLACK VALVE FIXING FLANGE MYB9							
37	11023049	996530067452	DIFFUSER VALVE MDS ASSY.							



PHILIPS

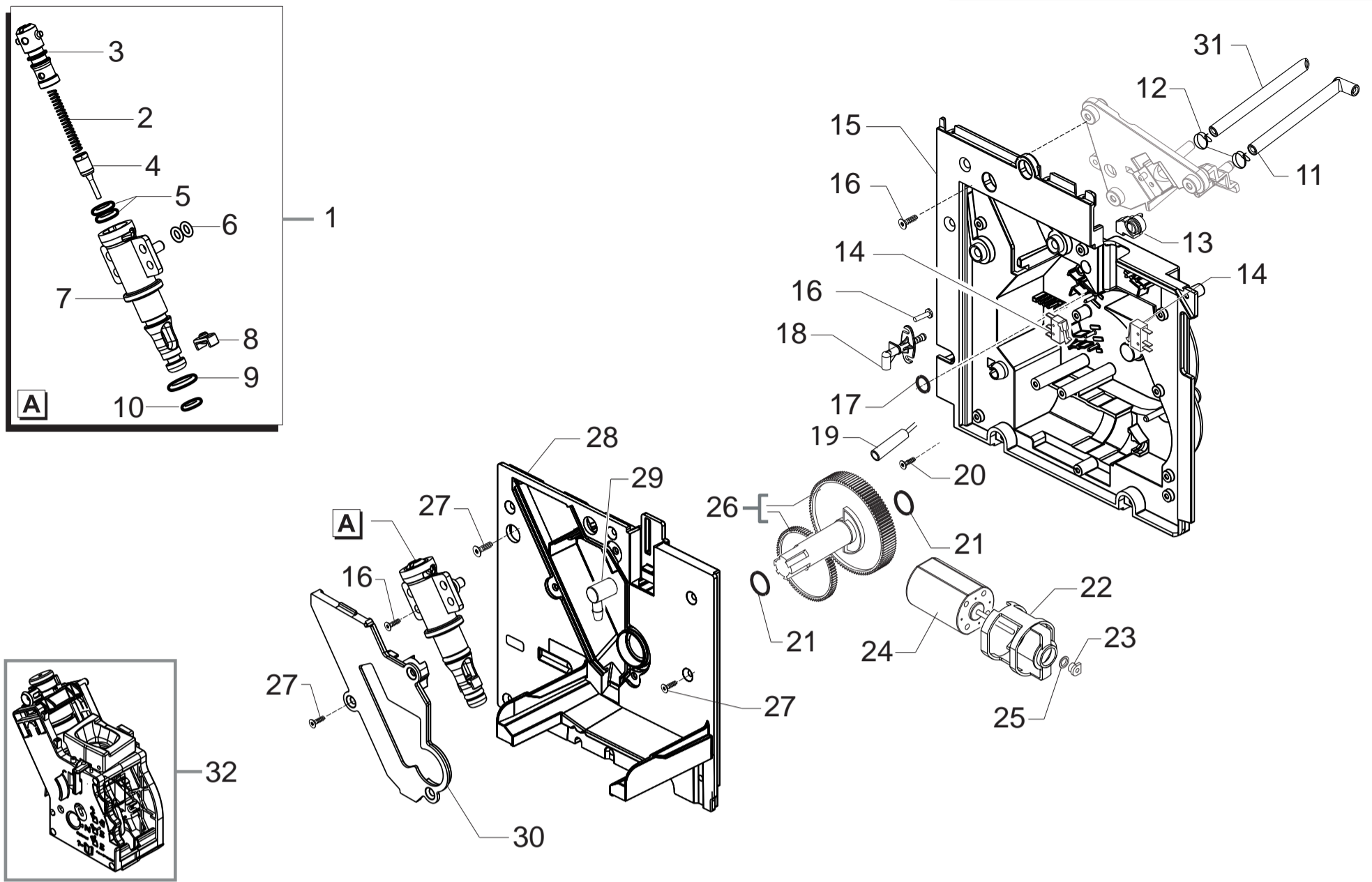
Saeco

HD8854/01-02-03-09-14-15-16 HD8856/01-02
HD8856/03-04-05-06-08-09-41-43-47Cod.10003287-3521-22-23-25-79-3760-61-3286
Cod.10003524-26-78-3738-39-3808-78-4089-90

POS	CODE	12NC	DESCRIPTION	NOTE	POS	CODE	12NC	DESCRIPTION	NOTE
01	11011205	996530005991	VITE INCREMENTO LUNGA MC ZAMA TEA						
02	-	421941094152	SUPP.SUP.MACINA V2 MC NER.						
03	140328960	996530013577	OR ORM 0530-15 NBR FDA						
04	146520100	996530016342	MACINA 48X28 IN CERAMICA						
05	149198350	996530017952	SUPP.INF.MACINA MC V3 NER.						
06	123030300	996530011183	CUSCINETTO ASSIALE EKKO 342.35252						
07	140360500	996530013597	ANELLO DE=45,4 DI=39,4H=4 IN FELTRO						
08	12000450	996530007819	VITE TCBR 3,5X12 PLAST.ZN-N						
09	11026355	996530068049	AS.CONVOGL.USCITA CAF.MAC.V4 SMART1 NER.						
10	11030459	996530072511	GRY GROUND COFFEE CONT.LOWER SEAL SMART1						
11	11023063	996530007569	COP.INSONORIZZAZIONE MC MDS NER.						
12	226000300	996530029609	AS.INGR.SX Z=38 MOVIM.MACINA C/CALAMITA						
13	149214800	996530018139	TAPPO CENTRAG.VITE S/FINE MOD=1,25 MC V3						
14	129661702	996530012992	VITE TCB 3,5X30 PLAST.ZN-B						
15	128381902	996530012375	RONDEL.PIANA DI=4,3 DE=14 SP=1,5 ACC.						
16	129574802	996530012928	VITE TCB M4X30 ZN-B						
17	11000597	996530000376	MOLLA SUPP.MOTORE MC P124 ACC.						
18	128310402	996530012341	ROSETTA UNI 8842 A4 ZINC.						
19	11002873	996530001389	BOC.ISOLANTE MOTORE MC P124 NER.						
20	149199050	996530017963	SUPP.SENS.TERMICO MOTORE MC NER.						
21	11000513	996530000317	AS.MOTORE MC V3.1 MOD=1,25 SX	230V					
	11000511	996530000315	AS.MOTORE MC V3.1 MOD=1,25 SX	120V					
22	17800040	996530009633	AS.CONN.2P.MOTORE MC MDS UL						
23	11000194	996530000115	SUPP.MOTORE MC P124 NER.						
24	181540900	996530022784	SCHEDA C/SENS.HAL 506 SF-K C/CONN.						
25	123030200	996530011182	CUSCINETTO RADIALE 61900.2RS1						
26	128381800	996530012374	RONDEL.BILANCIAMENTO 21,8X14X0,25 ACC.						
27	142905450	996530015258	CORPO SUP.C/USCITA CAF.MAC.MC NER.						
28	11002613	996530001314	SUPP.INF.INGR.REG.MAC.P124 NER.						
29	11002572	996530001308	MOLLA REG.MC P124 ACC.						
30	11003784	996530001907	INGR.Z=14-24 REG.MAC.CAF.P0049 NER.						
31	11002508	996530001296	SUPP.SUP.INGR.REG.MAC.P124 NER.						
32	129914002	996530013165	VITE TCB 3,5X16 PLAST.ZN-B						
33	17001921	996530072477	BLK WIRING FIX INSERT FOR GRINDER BOARD						
	11023062	996530067517	AS.GEN.MOTORE MC MDS	230V					
	11025469	996530069907	AS.GEN.MOTORE MC MDS	120V					

PSA EXPRELIA

TABLE 7/9



PHILIPS

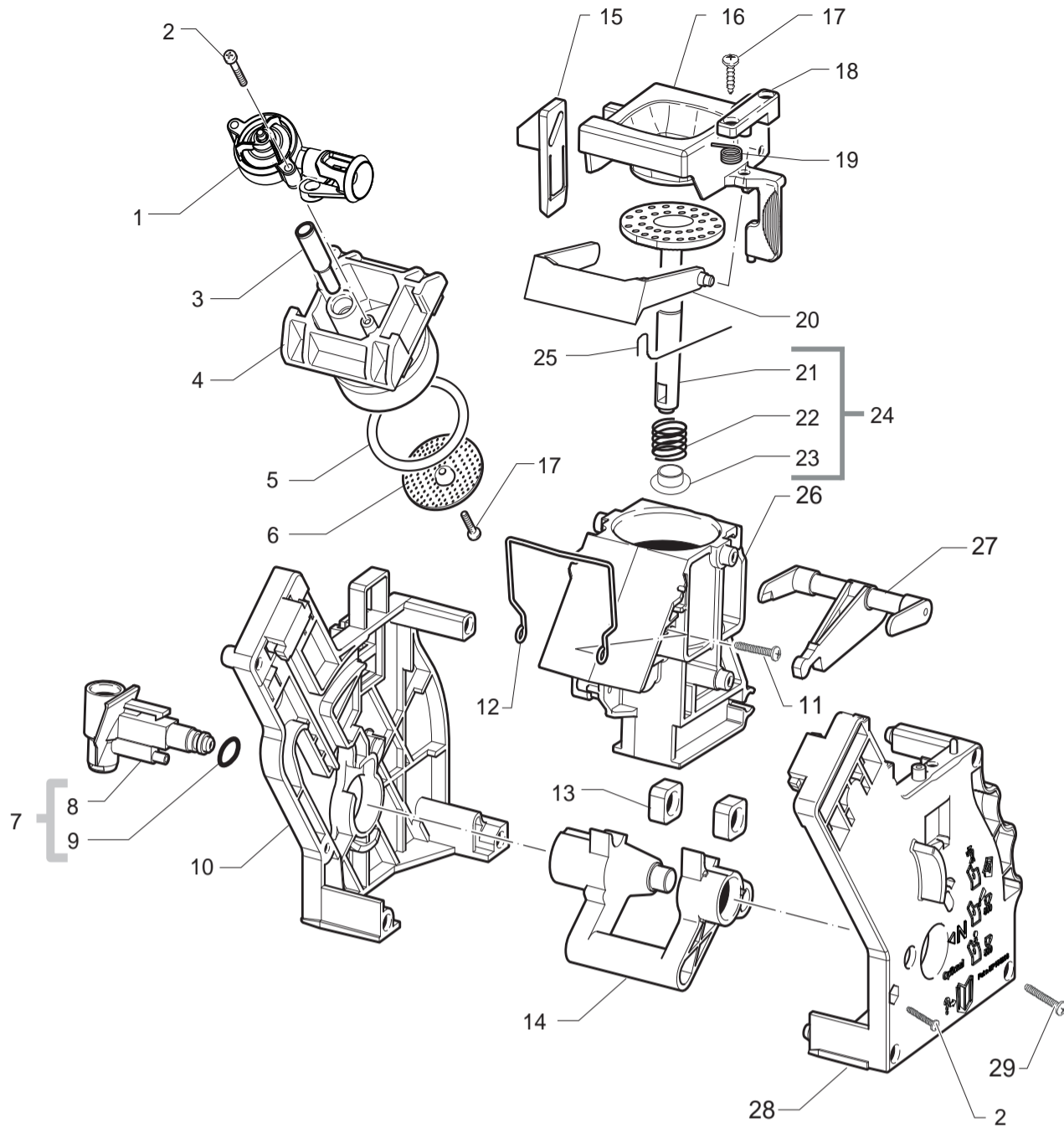
Saeco

HD8854/01-02-03-09-14-15-16 HD8856/01-02
HD8856/03-04-05-06-08-09-41-43-47



Cod.10003287-3521-22-23-25-79-3760-61-3286
Cod.10003524-26-78-3738-39-3808-78-4089-90

POS	CODE	12NC	DESCRIPTION	NOTE	POS	CODE	12NC	DESCRIPTION	NOTE
01	11005060	996530002717	PIN V2 FOR BOILER P119 ASSY.						
02	9011.132	996530048874	SS SPRING FOR PIN						
03	11003820	996530001932	BLACK CAP V2 FOR PIN BOILER P119						
04	11009019	996530005183	TEA/BRASS PISTON L=20,9 ASSY.						
05	140324459	996530013508	OR ORM 0060-20 SILICONE PTFE/FDA						
06	140328059	996530013564	OR 2015 SILICONE PTFE/FDA						
07	11003801	996530001926	NAT.PIN V2 FOR BOILER P119						
08	11005099	996530002747	NATURAL CURSOR V2 FOR BOILER P119						
09	NM01.035	996530059399	OR ORM 0090-20 SILICONE						
10	NM01.057	996530059419	OR ORM 0050-20 IN SILICONE						
11	11012337	996530006375	WATER DRAIN CONNECTOR MYB9						
12	NV99.087	996530059836	BAND D=11/11,6						
13	11013514	996530006796	BLACK MOUNTING PLATE COVER SEAL MYB9						
14	NE05.038	996530058869	MICROSWITCH SAIA XCG5-81-P5						
15	11023064	996530007571	BLACK MOUNTING PLATE WITH PIN MDS ASSY.						
16	12000450	996530007819	SCREW TCB TORX 10 3,5X12 PLAST.ZN-N						
17	140325462	996530013526	OR ORM 0070-20 SILICONE						
18	11023055	996530007566	BLACK STEAM BLOWDOWN 90° CONNECTOR MDS						
19	11003661	996530001819	SENS.REED MK3-1A66-BV16451						
20	129913902	996530013164	SCREW TCB TORX 10 3X12 PLAST.ZN-B						
21	9161.132	996530050569	MYLAR WASHER FOR RATIOMOTOR						
22	9121.044	996530049896	ANTIVIBRATION FOR MOTOR						
23	9121.046	996530049898	BRONZE SINTERED BUSH FOR MOTOR RATIOMOT.						
24	11003037	996530001426	MOTOR FOR RATIOMOTOR ASSY.						
25	148380200	996530017424	BAKELIZZATE WASHER D=5,5						
26	20000900	996530009913	SPARES KIT GEARS FOR RATIOMOTOR V2						
27	12001860	996530072411	SCREW TSP TORX 10 3,5X14 PLAST.SS						
28	17000049	996530068009	BLACK COVER MOUNTING PLATE MDS						
29	147920150	996530017348	90° INLET PUMP CONNECTOR						
30	142856550	996530015064	BLACK COVER FOR BOILER VAIN P119						
31	JS01.022	996530057357	SILICONE TUBE 5X10 60SH IN ROLL	IN ROLL					
32	11012810	996530006525	BLACK BREW UNIT 8GR.SBS MYB9						



PHILIPS

Saeco

HD8854/01-02-03-09-14-15-16 HD8856/01-02
HD8856/03-04-05-06-08-09-41-43-47



Cod.10003287-3521-22-23-25-79-3760-61-3286
Cod.10003524-26-78-3738-39-3808-78-4089-90

POS	CODE	12NC	DESCRIPTION	NOTE	POS	CODE	12NC	DESCRIPTION	NOTE
01	11002154	996530001192	SBS VALVE P124 ASSY.						
02	12000550	996530007838	SCREW TCB TORX 10 3X25 PLAST.SS						
03	11009276	996530005372	BLK COUNTER PISTON TUBE BREW UNIT S0053						
04	11001840	996530001046	BLACK COUNTER PISTON BREW UNIT 8GR.P124						
05	NM01.044	996530059406	OR ORM 0320-40 SILICONE PTFE/FDA						
06	9161.268	996530050709	PERCOLATOR DE=35,8 ELFO						
07	20000440	996530009825	BLACK WATER INLET SLEEVE BREW UNIT ASSY.						
08	9161.064.050	996530050488	BLACK WATER INLET SLEEVE BREW UNIT ROYAL						
09	NM02.007	996530059441	OR 2025 IN TERMOIL						
10	9161.375.050	996530050832	BLACK BREW UNIT REAR PLATE SMART						
11	129912521	996530013148	SCREW TCB TORX 10 3,5X14 PLAST.SS						
12	11001556	996530000898	SS BREW UNIT SPRING H=49 SMART						
13	9161.094.050	996530050539	BLACK BREW UNIT DRILLED BLOCK						
14	9161.066.050	996530050492	BLACK BREW UNIT ELBOW SHAFT M5000						
15	9161.373.050	996530050827	BLACK BREW UNIT COUPLING PLATE SMART						
16	149261350	996530018241	BLACK HOPPER DOSER BREW UNIT SMART1						
17	12000895	996530007951	SCREW TSP TORX 10 3X10 PLAST.SS						
18	9161.374.050	996530050829	BLK BREWUNIT HOPPER BLOCKING PLATE SMART						
19	9161.378	996530050838	SS HOPPER SPRING FOR BREW UNIT SMART						
20	11004161	996530002096	BLACK SCRAPER FOR BREW UNIT M5000						
21	11003077	996530001451	BLK BREW UNIT INTEGRAL PISTON 8GR.ASSY.						
22	9161.198	996530050627	SS.8GR.BREW UNIT PISTON SPRING						
23	9161.191	996530050618	WHITE 8GR.-12GR.BREW UNIT PISTON BUSH						
24	11023086	996530007577	BLK 8GR.BREW UNIT NTEGR.PISTON GEN.ASSY.						
25	9161.046	996530050455	SS SCRAPER SPRING FOR BREW UNIT						
26	11003075	996530001448	BLACK COFFEE CONTAINER BREW UNIT P124						
27	11003078	996530001452	BLACK CONNECTING ROD BREW UNIT 8GR.						
28	11005920	996530003228	BLACK BREW UNIT FRONT PLATE S/SCR.SMART						
29	12000897	996530007953	SCREW TCB TORX 10 3,5X20 PLAST.SS						
	11012810	996530006525	BLACK BREW UNIT 8GR.SBS MYB9						