

Service  
Service  
**Service**



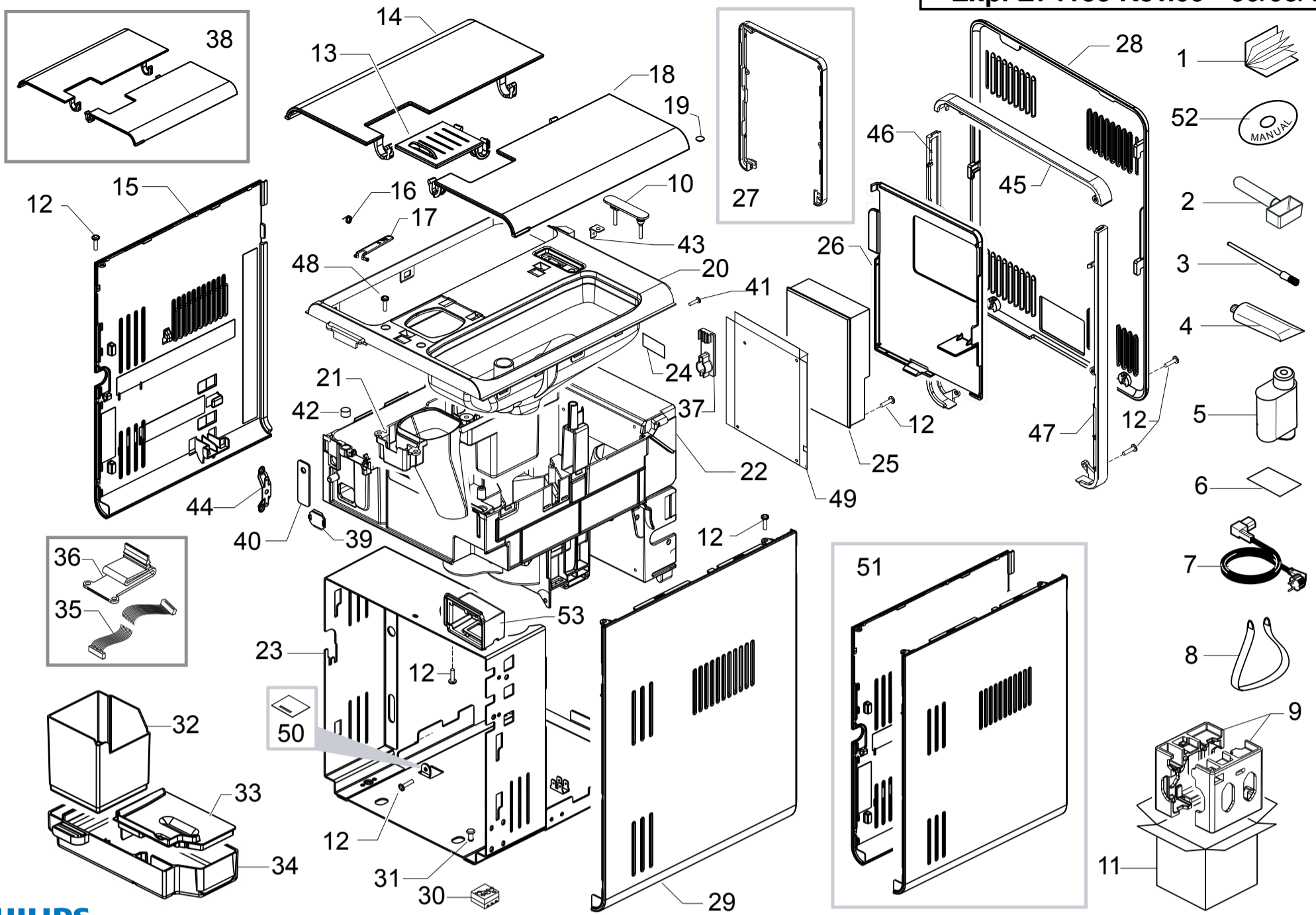
# Exploded View

## Contents

## Table

External / Electronical components	1/9
Front panel / User interface	2/9
Coffee dispenser	3/9
Water container	4/9
Milk carafe	5/9
Water system with slim boiler	6/9
Coffee grinder assembly	7/9
Gear motor	8/9
Brewing unit	9/9

All rights reserved. No part of this publication may be reproduced, stored in a retrieval system or transmitted, in any form or by any means, electronic, mechanical, photocopying, or otherwise without the prior permission of Saeco.



PHILIPS

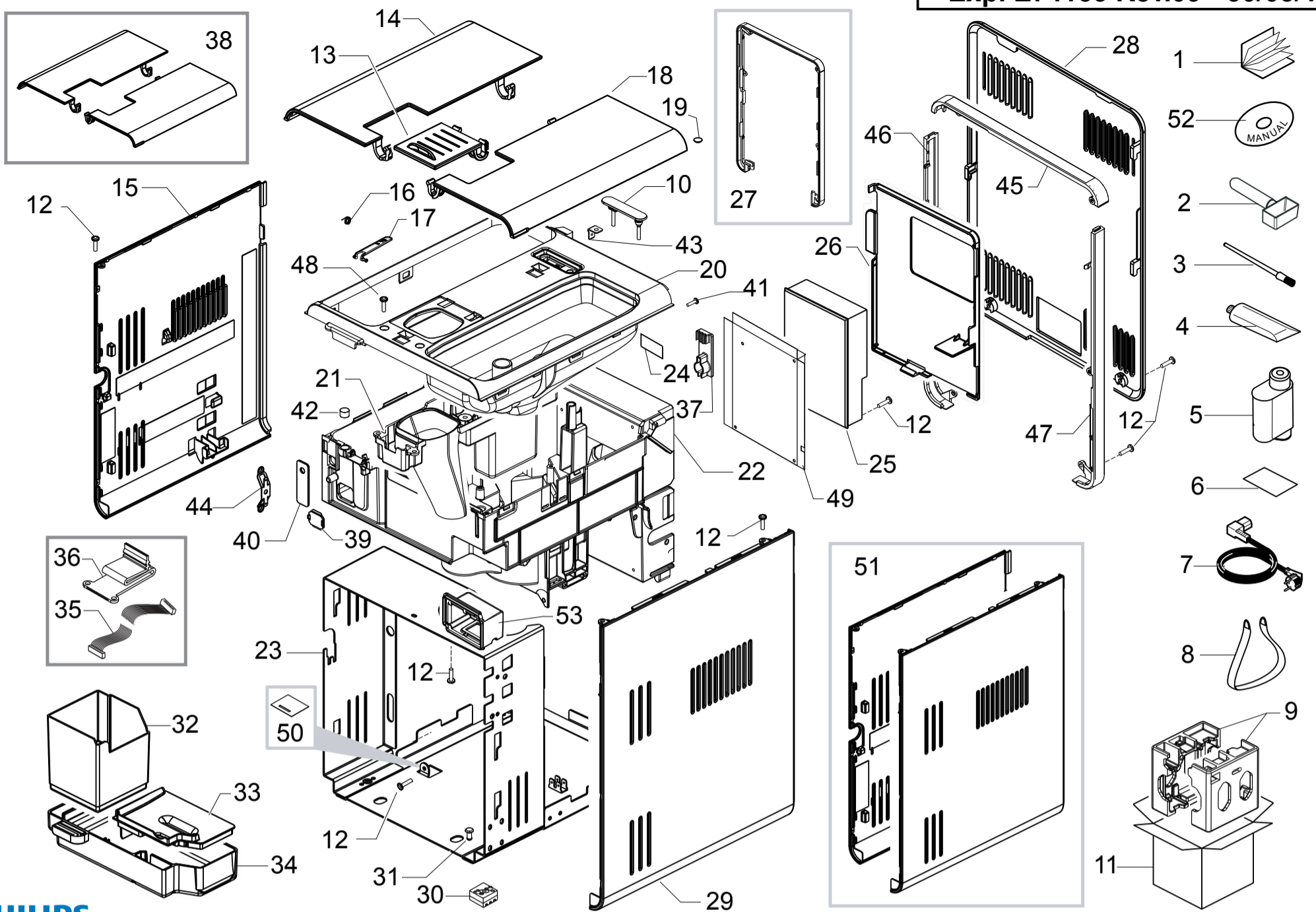
Saeco

HD8854/01-02-03-09-14-15-16 HD8856/01-02  
HD8856/03-04-05-06-08-09-41-43-47



Cod.10003287-3521-22-23-25-79-3760-61-3286  
Cod.10003524-26-78-3738-39-3808-78-4089-90

POS	CODE	12NC	DESCRIPTION	NOTE	POS	CODE	12NC	DESCRIPTION	NOTE
01	15002582	996530067477	MANUAL PSA HD8854/HD8856 MDS CHN		14	11026339	996530070521	SB/SS WATER CONT.DOOR COVER MDS/H ASSY.	SS
	15003143	996530070518	MANUAL PSA HD8854/HD8856 MDS PT/BRA					<b>FROM S/N TU901208034136</b>	
	15001999	996530067561	MANUAL PSA HD8854/HD8856 MDS GB		11023040	996530007555	BLACK WATER CONTAINER DOOR MDS/P	CLASS	
	15002047	996530067512	MANUAL PSA HD8854/HD8856 MDS FR					<b>NOT AVAILABLE SEE POSITION N°38</b>	
	15002330	996530067505	MANUAL PSA HD8854/HD8856 MDS ES		11030827	996530072591	MATT/BLACK WATER CONTAINER DOOR MDS/P	CLASS	
02		421944033301	BLK ABS COFFEE MEASURE SMART					<b>NOT AVAILABLE SEE POSITION N°38</b>	
03	127390100	996530011867	BRUSH FOR CLEANING		15	NOT AVAILABLE	<b>UP TO S/N TU901208034135 - SEE POS. 51</b>	SS	
04		421946017941	KLUBERLUB NH1 11-222 TUBE 5GR.		11028990	996530070519	SB/SS LEFT SIDE PANEL V2 MDS/H ASSY.	SS	
05	21002050	996530071872	ACC PSA BRITA WATER FILTER 1UNIT					<b>FROM S/N TU901208034136</b>	
06	0301.961	996530039604	STICKER FOR WATER HARDNESS TEST		15	NOT AVAILABLE	<b>UP TO S/N TU901231130583 - SEE POS. 51</b>	CLASS	
07		421946001591	BLK POWER CABLE SCHUKO L=800		11030825	996530072633	MATT/BLACK LEFT SIDE PANEL MDS/P	CLASS	
	183940650	996530025872	BLACK POWER CABLE AUSTRALIA L=1200					<b>FROM S/N TU901231130584</b>	
	11004247	996530002167	BLACK POWER CABLE RVV 3X1 CHINA L=1200		15	17000804	996530069914	SB/SS LEFT SIDE PANEL W/FAST.MDS/H ASSY.	ONLY USA
	183930650	996530025858	POWER CABLE CH BLACK 3X1 H05VV-F L=1200					<b>UP TO S/N TU901208034135</b>	
	11001985	996530001089	BLACK POWER CABLE KOREA L=1200		11028929	996530070512	SB/SS LEFT SIDE PANEL W/FAST.MDS/H ASSY.	ONLY USA	
	183970350	996530025882	BLACK POWER CABLE UK L=1200					<b>FROM S/N TU901208034136</b>	
	11004246	996530002166	BLACK POWER CABLE TAIWAN HVCTF L=1200		16	11023035	996530007549	SS SPRING FOR WATER CONTAINER LEVER MDS	
	183921950	996530025843	POWER CABLE SJT3 USA BLACK UL L=1200		17	11022425	996530007364	YELLOW LEVER FOR WATER CONTAIN.S/SC.MYB9	
	17800330	996530069926	BLACK POWER CABLE BRAZIL L=1200	120V	18	17000400	996530067486	SB/SS BEAN CONTAIN.DOOR COVER MDS/H ASSY	
	17800019	996530009627	BLACK POWER CABLE BRAZIL L=1200	230V				<b>UP TO S/N TU901208034135</b>	
08	13001097	996530008404	BAND FOR LIFTING L=1800MM H=300MM		11026340	996530070511	SB/SS BEAN CONTAIN.DOOR COVER MDS/H ASSY		
09	20006892	996530067472	KIT PS-E INSERT FOR BOX MDS					<b>FROM S/N TU901208034136</b>	
10	17000111	996530067464	BLACK COVER CONDUCTING SEAL MDS		11023046	996530007558	BLACK BEAN CONTAINER DOOR MDS/P		
11	13001130	996530008417	DISPLAY BOX MDS/H PSA EXPRELIA	WE				<b>NOT AVAILABLE SEE POSITION 38</b>	
	13001252	996530067528	DISPLAY BOX MDS/H PSA EXPRELIA	CEE	11030828	996530072577	MATT/BLACK BEAN CONTAINER DOOR MDS/P		
	13001358	996530069911	DISPLAY BOX MDS/H PSA EXPRELIA	USA				<b>NOT AVAILABLE SEE POSITION 38</b>	
12	12000450	996530007819	SCREW TCBR TORX 10 3,5X12 PLAST.ZN-N		19	12001330	996530008026	TRANSP.ROUND ADHESIVE FOOT SJ-5382	
13	17000399	996530067522	SB/SS GROUND CONT.DOOR COVER MDS/H ASSY.	SS	20	17000113	996530067474	BLACK COVER CASING V2 MDS	
	11026338	996530070513	SB/SS GROUND CONT.DOOR COVER MDS/H ASSY.	SS	21	11022950	996530007507	BLACK GROUND COFFEE HOPPER PLATE MDS	
			<b>UP TO S/N TU901208034135</b>		22	11023060	996530007567	BLACK HORIZONTAL MOUNTING PLATE MDS	
			<b>FROM S/N TU901208034136</b>		23	11022938	996530067532	BLACK STEEL CASING MDS ASSY.	
	11024933	996530067448	BLACK GROUND CONTAINER DOOR S/SCR.MDS/P	CLASS	24	11003232	996530001522	AS.CPU+SW WATER LEVEL SENSOR V2	
			<b>UP TO S/N TU901231130583</b>		25	11024263	996530067506	PWR BOARD MDS 230V	230V
	11030840	996530072588	MATT/BLK GROUND CONTAIN.DOOR S/SCR.MDS/P	CLASS	11021342	996530007079	PWR BOARD MYB9/MDS 120V	120V	
			<b>FROM S/N TU901231130584</b>		26	11023061	996530007568	BLACK PWR BOARD COVER MDS	
14	17000398	996530067521	SB/SS WATER CONT.DOOR COVER MDS/H ASSY.	SS	27	11022984	996530067519	BLK-SB/SS REAR FRAME MDS ASSY.	KEEP FOR USA
			<b>UP TO S/N TU901208034135</b>					<b>UP TO S/N TU901210043090 - ALL THE OTHERS</b>	



PHILIPS

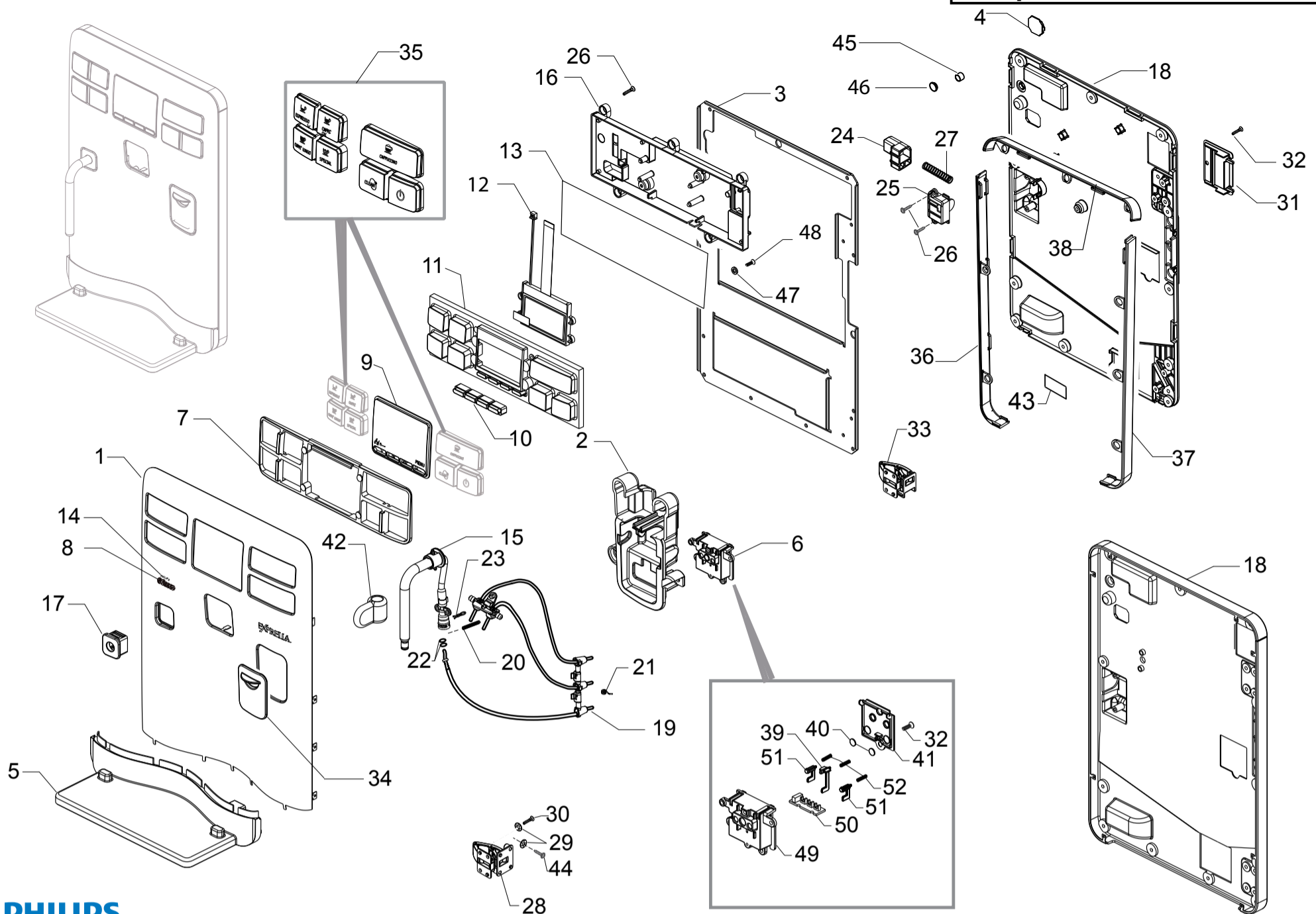
Saeco

HD8854/01-02-03-09-14-15-16 HD8856/01-02  
HD8856/03-04-05-06-08-09-41-43-47



Cod.10003287-3521-22-23-25-79-3760-61-3286  
Cod.10003524-26-78-3738-39-3808-78-4089-90

POS	CODE	12NC	DESCRIPTION	NOTE	POS	CODE	12NC	DESCRIPTION	NOTE
27	11025064	996530067475	BLK/BLK REAR FRAME MDS ASSY. <b>UP TO S/N TU901128094834</b>		47	17001089	996530069908	BLK RIGHT LATERAL REAR FRAME INSERT MDS <b>FROM S/N.TU901128094835</b>	CLASS
28	11022956	996530007512	BLACK REAR PANEL WHIT LOGO SAECO MDS			11025803	996530070514	CHROM.RIGHT LATERAL REAR FRAME INS.MDS <b>FROM S/N TU901210043091</b>	SS
29		NOT AVAILABLE	<b>UP TO TU901208034135 SEE POSITION 51</b>	SS	48	129912521	996530013148	SCREW TCB TORX 10 3,5X14 PLAST.SS	
	11028928	996530070533	SB/SS RIGHT SIDE PANEL V2 MDS/H ASSY. <b>FROM S/N TU901208034136</b>	SS	49	11023304	996530007613	PWR ELECTR.BOARD INSULATE SHEET MYB9	ONLY USA
29		NOT AVAILABLE	<b>UP TO S/N TU901231130583 - SEE POS. 51</b>	CLASS	50	17000007	996530066726	COMPONENTS SUPPORT INSULATE SHEET MYB9	ONLY USA
	11030826	996530072549	MATT/BLACK RIGHT SIDE PANEL MDS/P <b>FROM S/N TU901231130584</b>	CLASS	51	20007080	996530070509	KIT SPARES SB/SS RIGHT+LEFT PANEL MDS/H <b>UP TO S/N TU901208034135</b>	SS
29	17000806	996530069913	SB/SS RIGHT SIDE PANEL W/FAST.MDS/H ASSY <b>UP TO S/N TU901208034135</b>	ONLY USA		421941307581	996530070509	KIT RIC.PANNEL.DX+SX MDS/P NER/OP <b>UP TO S/N TU901231130583</b>	CLASS
	11028927	996530070515	SB/SS RIGHT SIDE PANEL W/FAST.MDS/H ASSY <b>FROM S/N TU901208034136</b>	ONLY USA	52	15003523	996530073223	DOCUMENTAT.CD MDS EXPRELIA/ENERGICA ASSY	
30	11021829	996530007156	BLACK/TRANSP.RIGID FOOT MYB9		53	17001686	996530073349	BLACK DOOR UPPER HINGE COVER MDS	
31	11021769	996530007136	BLACK RIGID FOOT FIXING PIN MYB9						
32	11026673	996530073497	BLACK DUMP BOX MDS ASSY.						
33	11023032	996530007547	BLK DRIP TRAY COFF.BREW UNIT COVER MDS						
34	17002176	996530073075	BLACK COFFEE UNIT DRIP TRAY V2 MDS						
35	11023166	996530007589	40POLES FLAT CABLE BOARDS LINK MDS UL						
36	11013806	996530006864	BLACK FLAT-CABLE PROTECTION MYB9						
37	17000064	996530067437	BLK CAPACIT.SENSOR DEADLOCK INSERT XSM						
38	20007164	996530072935	KIT SPAR.MATT/BLK CASING CONT.DOOR MDS/P						
39	17000363	996530009605	TRANSP.INFRAREDS PLATE MDS						
40	11021976	996530007207	STEEL PLATE FOR DOOR CLOSURE MYB9						
41	129913202	996530013156	SCREW TCB TORX 10 3X8 PLAST.ZN-B						
42	9161.111	996530050555	MAGNET FOR FLOAT SUPERAUT.						
43	186401220	996530026185	BENT TABS 6,3 D=3,3 <=90° 4001851000						
44	11006740	996530003793	BRONZE SPRING FOR FRONT CASING G0053						
45	17001087	996530069912	BLACK.UPPER REAR FRAME INSERT MDS <b>FROM S/N.TU901128094835</b>	CLASS					
		11025802	CHROM.UPPER REAR FRAME INSERT MDS <b>FROM S/N TU901210043091</b>	SS					
46	17001088	996530069909	BLACK.LEFT LATERAL REAR FRAME INSERT MDS <b>FROM S/N.TU901128094835</b>	CLASS					
		11025804	CHROM.LEFT LATERAL REAR FRAME INS.MDS <b>FROM S/N TU901210043091</b>	SS					



PHILIPS

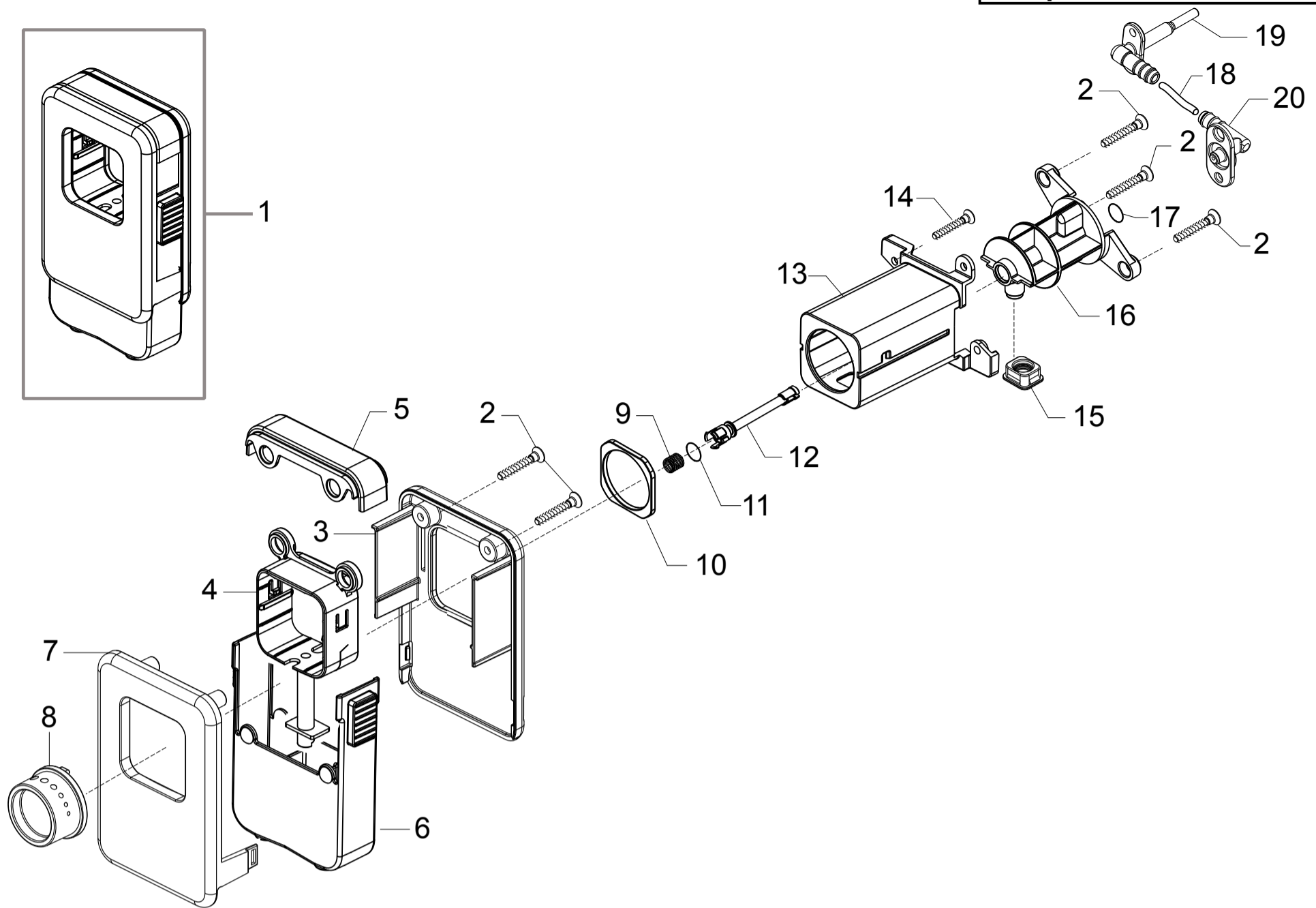
Saeco

HD8854/01-02-03-09-14-15-16 HD8856/01-02  
HD8856/03-04-05-06-08-09-41-43-47



Cod.10003287-3521-22-23-25-79-3760-61-3286  
Cod.10003524-26-78-3738-39-3808-78-4089-90

POS	CODE	12NC	DESCRIPTION	NOTE	POS	CODE	12NC	DESCRIPTION	NOTE
01	11026136	996530069608	SB/SS FRONTAL PANEL V2 S/SCR.MDS ASSY. <b>UP TO S/N TU901208034135</b>		22	140328059	996530013564	OR 2015 SILICONE PTFE/FDA	
	11029322	996530070526	SB/SS FRONTAL PANEL V3 S/SCR.MDS ASSY. <b>FROM S/N TU901208034136</b>		23	9011.144	996530048885	SS FORK FOR TUBE D=4	
	11026135	996530069916	SB/SS FRONTAL PANEL V2 MDS ASSY. <b>UP TO S/N TU901208034135</b>	ONLY USA	24	11014215	996530007042	BLACK BUTTON FOR DOOR RELEASE MYB9	
	11029321	996530073224	SB/SS FRONTAL PANEL V2 MDS ASSY. <b>FROM S/N TU901208034136</b>	ONLY USA	25	11014218	996530007043	BLACK COVER BUTTON FOR DOOR RELEASE MYB9	
02	11023433	996530007629	BLACK FRONTAL PANEL INSERT MDS		26	12000450	996530007819	SCREW TCB TORX 10 3,5X12 PLAST.ZN-N	
03	11022981	996530007525	STEEL FRONT FRAME MDS <b>UP TO S/N TU901210043090</b>		27	11021747	996530007128	SPRING FOR DOOR RELEASE BUTTON MYB9	
04	17000363	996530009605	TRANSP.INFRAREDS PLATE MDS		28	17000094	996530009581	DOOR LOWER HINGE V2 MYB9	
05	11029324	996530070524	BLACK DRIP TRAY SUPPORT V2 MDS		29	128310402	996530012341	GALV.WASHER UNI 8842 A4	
06	11022986	996530067487	BLK CARAFFE BOARD SUPPORT GEN.MDS ASSY.		30	12001591	996530067488	GALV.SCREW TCB 4,2X13 DIN 7985 F	
07	11023913	996530007679	CHROM.TOUCH PANEL SUPPORT MDS <b>UP TO S/N TU901126079436</b>		31	17000048	996530067469	BLACK FLAT-CABLE COVER MDS	
	11025809	996530067855	CHROM.TOUCH PANEL SUPPORT MDS ASSY. <b>FROM S/N TU901126079437 TO TU901242180832</b>		32	12000895	996530007951	SCREW TSP TORX 10 3X10 PLAST.SS	
	17000778	996530073225	CHROM.TOUCH PANEL SUPPORT V2 MDS ASSY. <b>FROM S/N TU901242180833</b>		33	17000106	996530009584	DOOR UPPER HINGE V2 MYB9	
08	11011406	996530006054	ADHES.SILVER PLATE LOGO SAECO P0057		34	11023368	996530007622	CHROM.CONNECT.CAP FOR CARAFE MDS ASSY.	
09	17000989	996530067458	TRANSP.GLASS FOR DISPLAY S/SCR.MDS <b>UP TO S/N TU901242180832</b>		35	-	421940813061	KIT SPARES SERIAL BUTTONS BLK S/SC.MDS <b>UP TO S/N TU901231130583</b>	
	17000776	996530073066	TRANSP.GLASS V2 FOR DISPLAY S/SCR.MDS <b>FROM S/N TU901242180833</b>			-	421940813031	KIT SPARES SERIAL BUTTONS M/BLK S/SC.MDS <b>FROM S/N TU901231130584</b>	
10	17000325	996530067462	BLK DISPLAY FUNC.BUTTONS COVER S/SCR.MDS		36	11025801	996530070528	CHROM.LEFT LATERAL FRONT FRAME INS.MDS <b>FROM S/N TU901210043091</b>	
11	11023018	996530007538	TRANSP.TOUCH PANEL MDS		37	11025800	996530070527	CHROM.RIGHT LATERAL FRONT FRAME INS.MDS <b>FROM S/N TU901210043091</b>	
12	12001490	996530067494	GRAPHIC DISPLAY 128 X 64 MDS		38	11025799	996530070525	CHROM.UPPER FRONT FRAME INSERT MDS <b>FROM S/N TU901210043091</b>	
13	11022396	996530007353	CPU+SW MDS ASSY.		39	17000045	996530009578	BLK PRESENCE CARAFE MICRO INSERT V2 MYB9	
14	11024301	996530067434	ADHES.SILVER PLATE LOGO PHILIPS		40	12001330	996530008026	TRANSP.ROUND ADHESIVE FOOT SJ-5382	
15	11023819	996530067467	TF/CHROM.STEAM TUBE MDS ASSY.		41	11013328	996530006745	BLACK CARAFFE BOARD COVER MYB9	
16	11022983	996530007527	BLACK DISPLAY SUPPORT MDS		42	17000110	996530067454	BLACK STEAM TUBE HANDGRIP MDS	
17	11023021	996530007542	CHROM.EXTERNAL STEAM TUBE INSERT MDS		43	11000651	996530000425	WATER LEVEL SENSOR BOARD P124 <b>UP TO S/N TU901235137009</b>	
18	11022985	996530067515	BLK-SB/SS INSIDE COVER FRON.PANEL MDS AS <b>UP TO S/N TU901210043090</b>			11003232	996530001522	AS.CPU+SW WATER LEVEL SENSOR V2 <b>FROM S/N TU901235137010</b>	
	11030578	996530072409	BLK INSIDE COVER FRONT PANEL V3 MDS <b>FROM S/N TU901210043091</b>		44	129823821	996530013079	TCB SCREW M4X8 UNI 7687 SS	
19	17000062	996530067476	WHT PREFORM.TEFLON TUBES SUPP.MDS ASSY.		45	9161.111	996530050555	MAGNET FOR FLOAT SUPERAUT.	
20	17000006	996530009559	TWO WAY TEFLON TUBES SUPPORT SPRING MYB9		46	11014016	996530006968	SS.INSERT FOR MAGNET MYB9	
21	11013785	996530006856	STEEL TEFLON TUBES SUPPORT SPRING MYB9		47	128310321	996530012339	WASHER UNI 8842 A3 SS	
					48	129912902	996530013153	SCREW TCB TORX 10 AB 2,9X6,5 SHEET ZN-B	
					49	11023238	996530007602	AS.SUPP.SCHEDA CARAF.V4 MYB9 NER.	
					50	11013368	996530006754	MILKCARAFFE BOARD V2 MYB9	
					51	17000002	996530009555	BLACK CARAFE MICRO INSERT V2 MYB9	
					52	17000019	996530009566	SS CARAFE MICRO INSERT SPRING MYB9	



**PHILIPS**

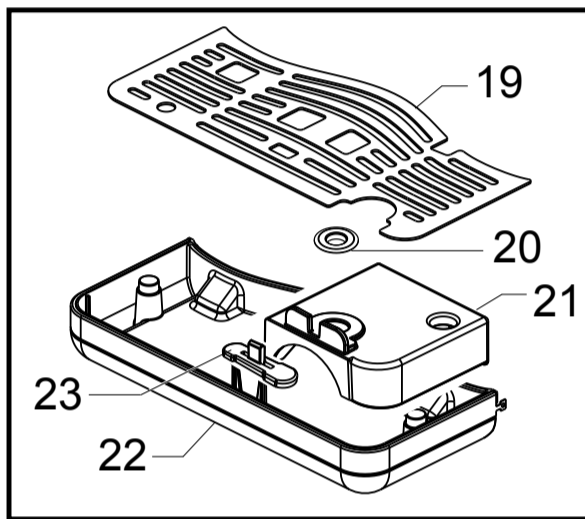
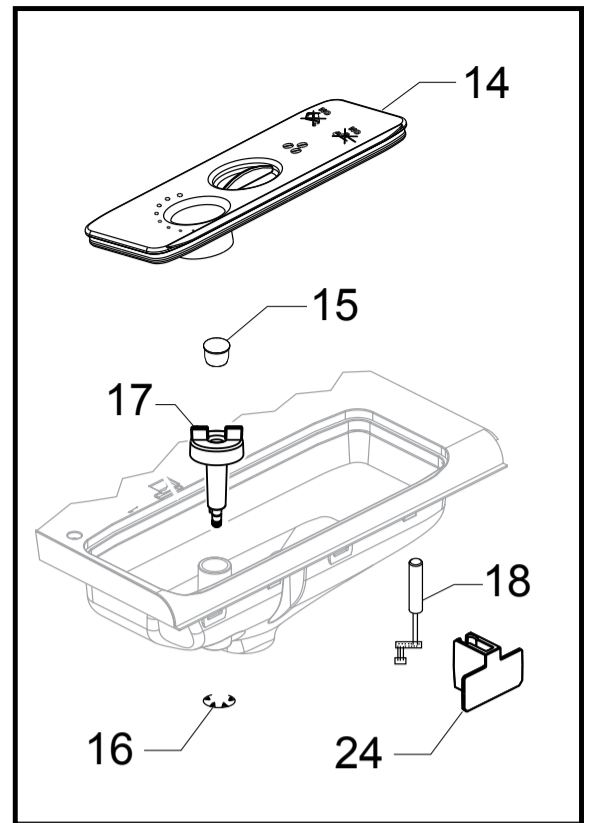
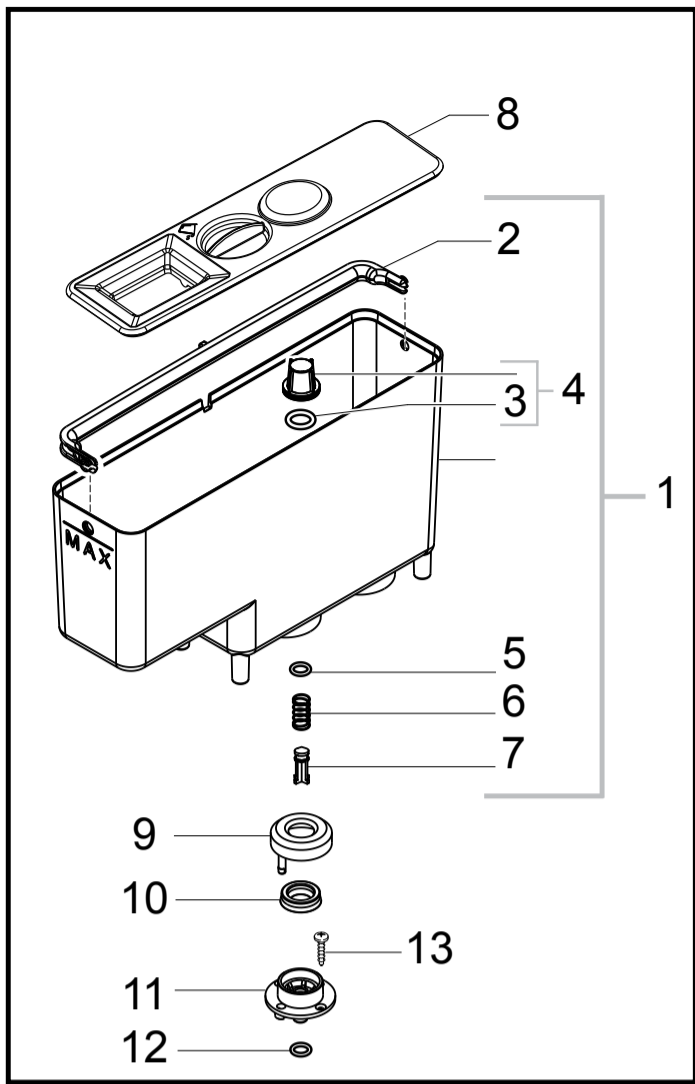
**Saeco**

HD8854/01-02-03-09-14-15-16 HD8856/01-02  
HD8856/03-04-05-06-08-09-41-43-47



Cod.10003287-3521-22-23-25-79-3760-61-3286  
Cod.10003524-26-78-3738-39-3808-78-4089-90

POS	CODE	12NC	DESCRIPTION	NOTE	POS	CODE	12NC	DESCRIPTION	NOTE
01	11023024	996530067482	CHROM.COFFEE DISPENSER MDS ASSY. WITH PART. N° 02 - 03 - 04 - 05 - 06 - 07						
02	12000450	996530007819	SCREW TCB TORX 10 3,5X12 PLAST.ZN-N						
03	11025081	996530067453	BLACK.REAR COVER COFFEE DISPENSER MDS						
04	17002177	996530073046	BLK COFFEE DISPENSER INNER BODY V3 MYB9						
05	11023814	996530007671	CHROM.COFFEE DISPENSER UPPER INSERT MDS						
06	11023019	996530007539	BLACK EXT.MOBILE PART COF.DISPENSER MDS						
07	11023812	996530007668	CHROM.FRONT COVER COFFEE DISPENSER MDS						
08	11023012	996530007534	CHROM.CREAM ADJUSTMENT KNOB S/SCR.MDS						
09	126772518	996530011711	SS COFF.CREAM ADJUSTMENT SHAFT SPRING						
10	11013324	996530006743	BLACK CREAM ADJUSTMENT KNOB RING MYB9						
11	140326661	996530013546	OR ORM 0040-20 BLACK EPDM						
12	140640200	996530013621	WHITE COFFEE CREAM ADJUSTMENT SHAFT						
13	11022919	996530007492	CHROM.COFFEE DISPENSER SUPPORT MDS						
14	12000897	996530007953	SCREW TCB TORX 10 3,5X20 PLAST.SS						
15	11013072	996530006604	BLACK SEAL FOR COFFEE DISPENSER MYB9						
16		421944043111	BLACK COFFEE DISPENSER TUBE V2 MYB9						
17	12000070	996530007732	OR ORM 0060-15 SILICONE						
18	149360200	996530018269	SILICONE TUBE 5X8 70SR IN ROLL						
19	-	421944002701	BLK DISPENSER COF.INLET CONNECT.V2 MYB9						
20	11012926	996530006575	BLACK COFFEE DISPENSER CONNECTOR MYB9						



PHILIPS

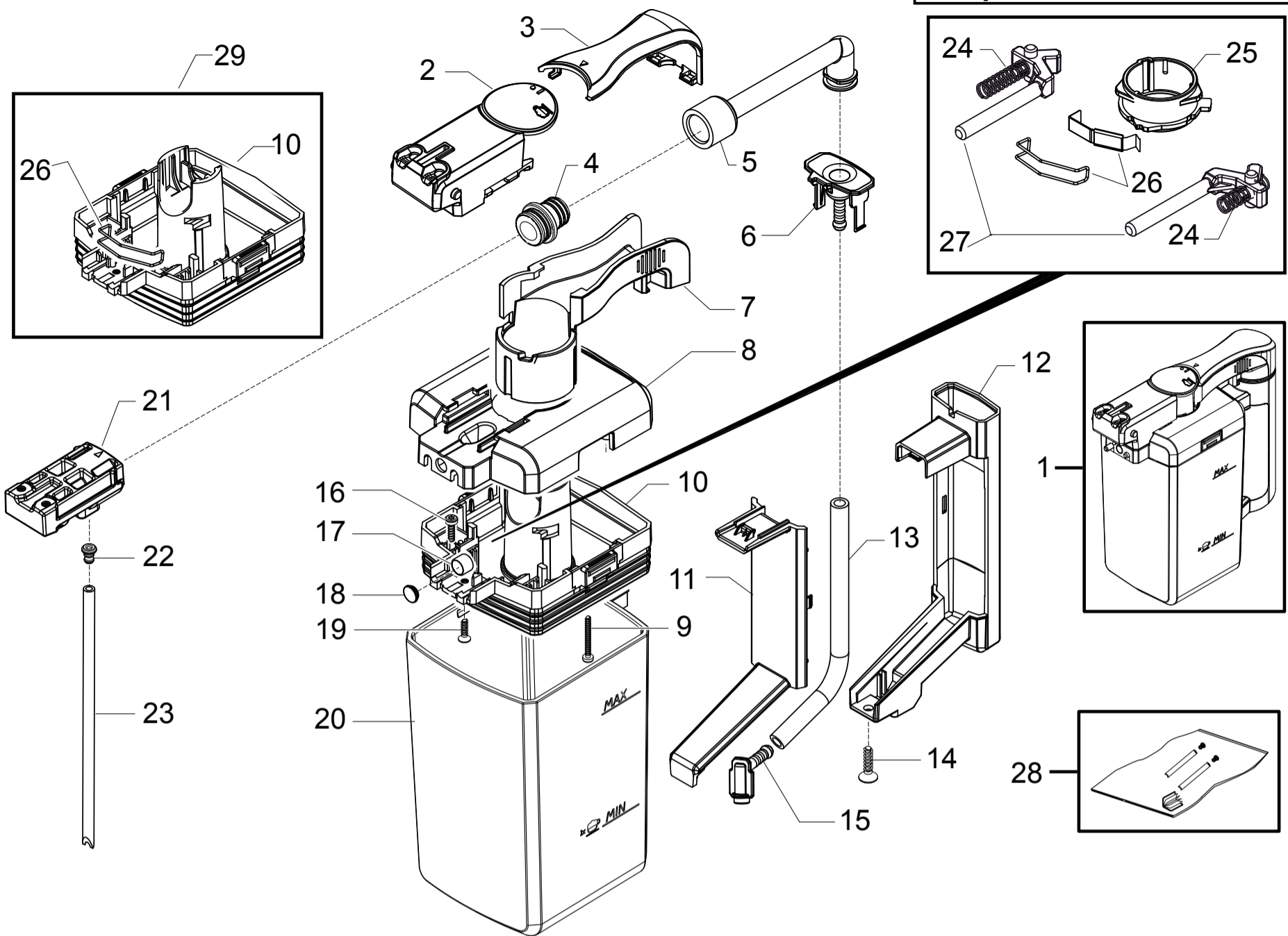
Saeco

HD8854/01-02-03-09-14-15-16 HD8856/01-02  
HD8856/03-04-05-06-08-09-41-43-47



Cod.10003287-3521-22-23-25-79-3760-61-3286  
Cod.10003524-26-78-3738-39-3808-78-4089-90

POS	CODE	12NC	DESCRIPTION	NOTE	POS	CODE	12NC	DESCRIPTION	NOTE
01	11023037	996530007552	NAT/GREY WATER CONTAINER MDS ASSY.						
02	11023155	996530007587	BLACK WATER CONTAINER HANDLE MDS						
03	140328461	996530013571	OR ORM 0190-10 EPDM						
04	224640200	996530029115	WHITE WATER CONTAINER EXT.FILTER ASSY.	WITH PART.N°03					
05	140324362	996530013507	OR ORM 0060-30 SILICONE						
06	126764718	996530011626	SS WATER CONTAINER VALVE SPRING						
07	147660562	996530016894	GREY PISTON FOR WATER CONTAINER VALVE						
08	11023039	996530007554	NAT/GREY WATER CONTAINER LID S/SCR.MDS						
09	0701.031.150	996530044417	GREY WATER VALVE GACO DIM 14 SEAL COVER						
10	145842900	996530015823	NBR WATER CONT.VALVE GACO DIM14 SEAL						
11	0701.014.150	996530044404	GREY WATER VALVE GACO DIM 14 SEAL CONT.						
12	140320461	996530013446	OR ORM 0080-20 TERMOIL						
13	129535721	996530012898	SCREW TSP TORX 10 AB 3,5X9,5 SHEET SS						
14	11023044	996530007557	NAT/GRY BEAN COF.CONT.LID S/SCR.MDS ASSY						
15	149213059	996530018116	GREY CAP FOR KNOBS BEAN CONTAINER						
16	120350604	996530010768	SHAFT 6 UNI 7434						
17	11022951	996530007508	BLACK GRIND.ADJUSTMENT KNOB MDS						
18	17800430	996530073402	5POLES CONNECTOR MC SENSORS V2 MDS UL						
19	11023025	996530007543	SS DRIP TRAY GRATE MDS						
20	17000147	996530066732	BLACK GRATE SEAL V3 MYB9/H-P						
21	11023030	996530007545	BLACK DRIP TRAY COVER MDS						
22	11023029	996530067463	SM/SS-BLACK DRIP TRAY MDS ASSY.	SS					
	17001492	996530072594	BLACK DRIP TRAY MDS/P ASSY.	CLASS					
23	17000001	996530009554	RED FLOAT FOR DRIP TRAY MDS						
24	17000204	996530067529	BLACK REED SENSOR SUPPORT MDS						



PHILIPS

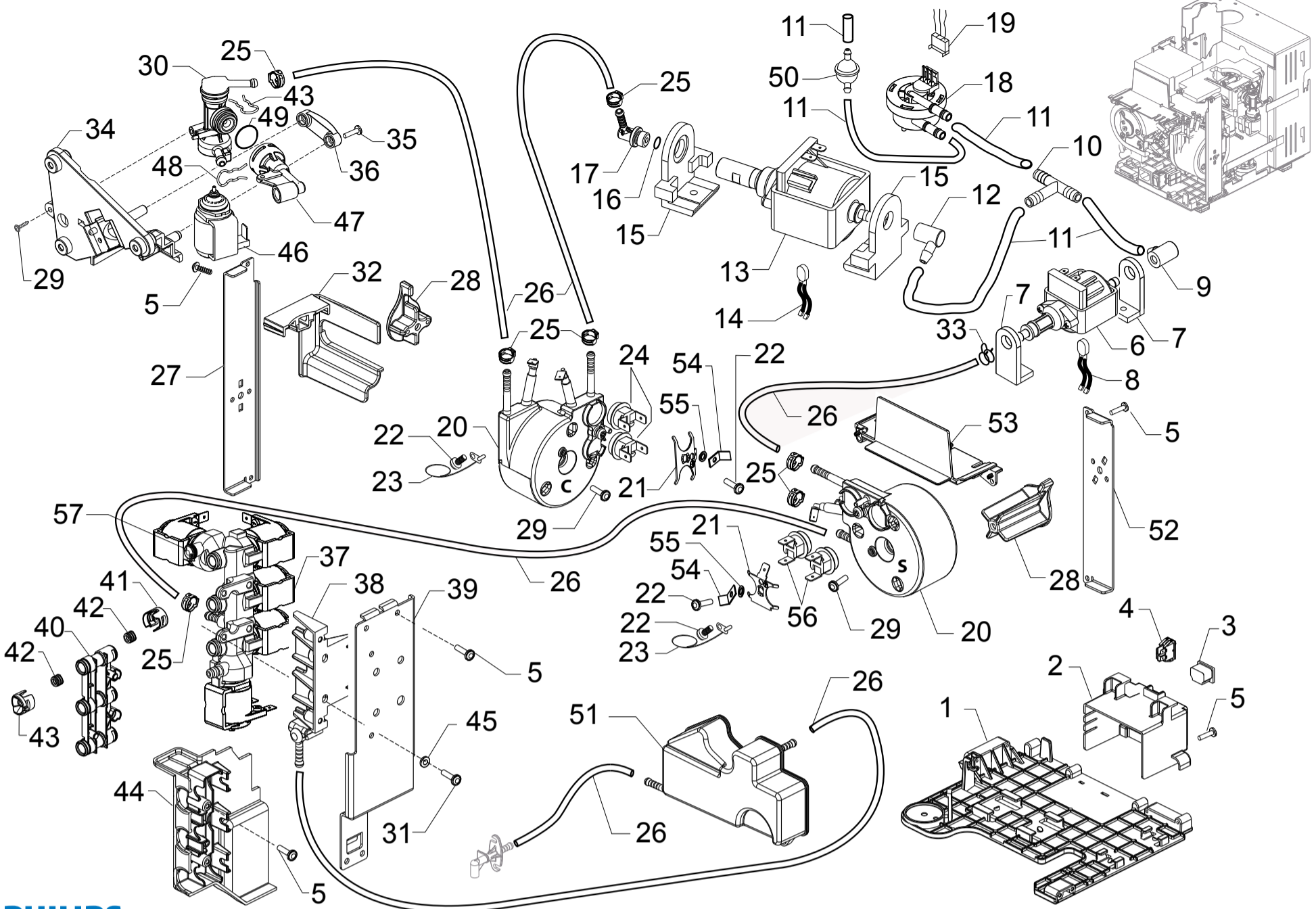
Saeco

HD8854/01-02-03-09-14-15-16 HD8856/01-02  
HD8856/03-04-05-06-08-09-41-43-47



Cod.10003287-3521-22-23-25-79-3760-61-3286  
Cod.10003524-26-78-3738-39-3808-78-4089-90

POS	CODE	12NC	DESCRIPTION	NOTE	POS	CODE	12NC	DESCRIPTION	NOTE
01	11023077	996530067527	TRANSP/CHROM.GEN.CARAFE MYB9/MDS ASSY.						
02	11023235	996530007599	CHR.CARAFE CAPP.COVER V2 S/SC.MYB9 ASSY.						
03	11022498	996530007389	CHR.CARAFE UPPER DISPEN.SUPP.V2 S/S.MYB9						
04	11012812	996530006527	VENTURI TUBE FOR CAPPUCCINATORE MYB9						
05	11012678	996530006463	BLACK CARAFE MILK DISPENSER TUBE MYB9						
06	11013163	996530006668	BLACK UPPER TUBE CARAFE CONNECT.MYB9						
07	11022496	996530007388	CHRO.CARAFE LOWER DISPENSER SUPP.V2 MYB9						
08	11030950	996530072575	MATT/BLACK UPPER COVER PART CARAFE MYB9						
09	12000550	996530007838	SCREW TCB TORX 10 3X25 PLAST.SS						
10	11021893	996530007192	BLACK LOWER COVER PART CARAFE MYB9 ASSY.						
	-	421944012821	BLK LOWER COVER PART CARAFE V2 MYB9 ASSY <b>FROM S/N 901338162777</b>						
11	11013466	996530006784	CHROM.CARAFE REAR PART HANDLE MYB9						
12	11023158	996530007588	CHROM.CARAFE FRONT PART HANDLE V2 MYB9						
13	149360200	996530018269	SILICONE TUBE 5X8 70SR	IN ROLL					
14	129911721	996530013137	SCREW TSP TORX 4X16 PLAST STEEL						
15	11013164	996530006669	BLACK LOWER TUBE CARAFE CONNECT.MYB9						
16	129910921	996530013128	SCREW TCB TORX 10 3X10 SS						
17	9161.111	996530050555	MAGNET FOR FLOAT SUPERAUT.						
18	11014016	996530006968	SS.INSERT FOR MAGNET MYB9						
19	12000895	996530007951	SCREW TSP TORX 10 3X10 PLAST.SS						
20	11024104	996530007705	TRANSP.CARAFE V3 S/SCREEN MYB9						
21	17000004	996530009557	BLK CARAFE CAPPUCIN.CASING W/CAPS MYB9						
22	11012813	996530006528	BLACK MILK TUBE CONNECTOR MYB9						
23	11012814	996530067584	SILICONE TUBE 3,5X6 L=140 MM						
24	11013765	996530006849	STEEL SPRING FOR CARAFE LEVER MYB9						
25	11022522	996530007393	BLACK CAM FOR CARAFE LEVERS V2 MYB9						
26	11013832	996530006873	CARAFE SPRING WITH INSERT MYB9 ASSY. <b>UP TO S/N 9013381627776 NOT AVAILABLE</b> <b>ORDER PART POS. N° 29</b>						
	-	421944007011	SS SPRING V2 FOR CARAFE MYB9 <b>FROM S/N 901338162777</b>						
27	17000131	996530067459	BLACK LEVER FOR CARAFE CAM V3 MYB9						
28	11028534	996530070326	PSA MILK ACCESSORY PACK ASSY.						
29	-	421940813091	KIT SPARES LOW.COVER PART CARAFE V2 MYB9						



**PHILIPS**

**Saeco**

**HD8854/01-02-03-09-14-15-16 HD8856/01-02**  
**HD8856/03-04-05-06-08-09-41-43-47**

**Cod.10003287-3521-22-23-25-79-3760-61-3286**  
**Cod.10003524-26-78-3738-39-3808-78-4089-90**

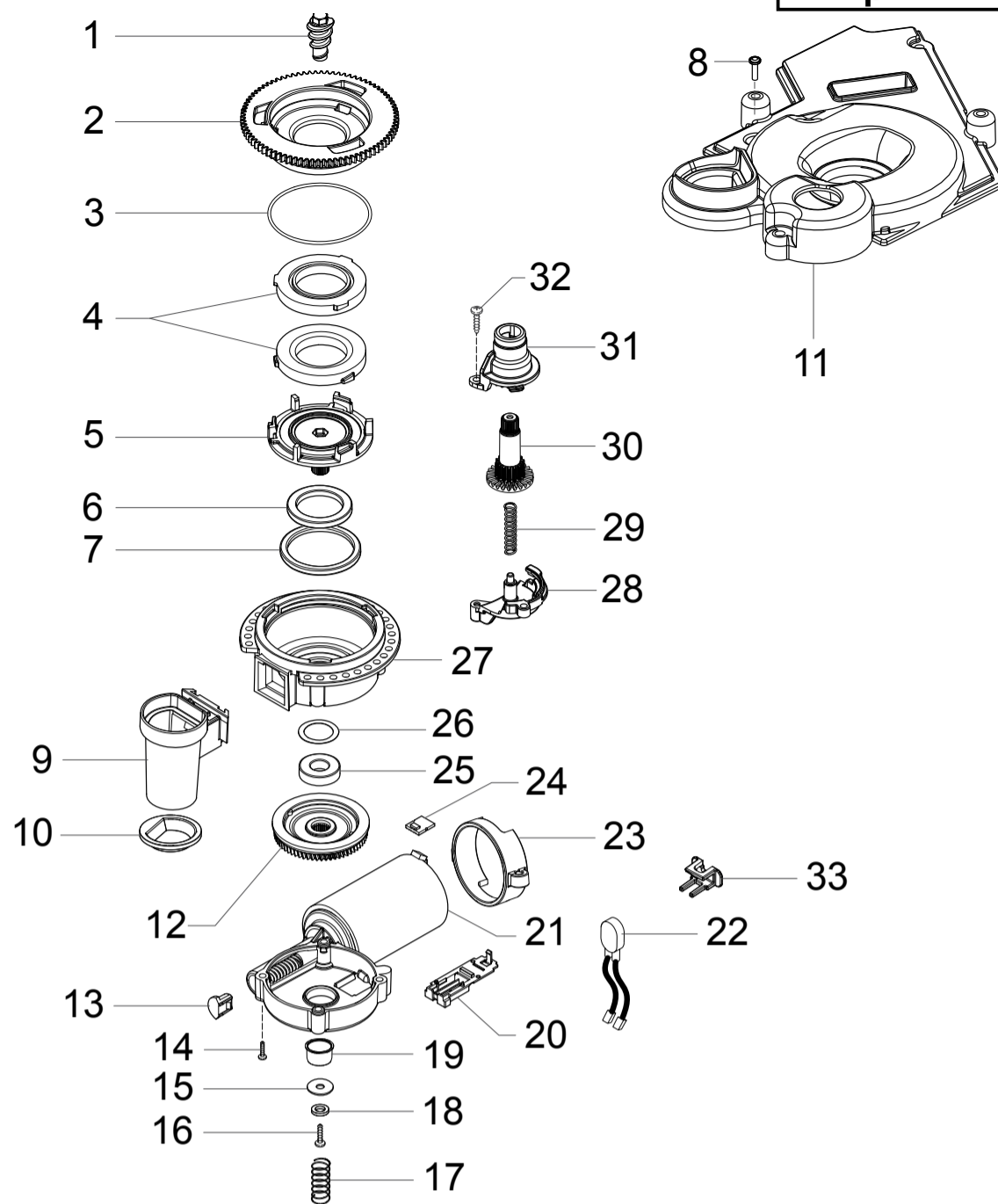
POS	CODE	12NC	DESCRIPTION	NOTE
01	11023066	996530007572	BLACK COMPONENTS SUPPORT MDS	
02	11023074	996530067449	BLACK SOCKET-SWITCH SUPPORT MDS	
03	12001883	996530072437	CUP SOCKET V3 EN 60320 C 13	
04	NE03.038	996530058836	BIPOLAR SWITCH FUSIT C1250AR	
05	12000450	996530007819	SCREW TCBR TORX 10 3,5X12 PLAST.ZN-N	
06	12001212	996530008003	ULKA PUMP MF 230V-50HZ	230V-50HZ
	12001348	996530008031	ULKA PUMP MF 220V-50/60HZ	220V-50/60HZ
	12001346	996530008028	ULKA PUMP MF 120V-60HZ	120V-60HZ
07	11012194	996530006315	BLACK/SBR ULKA MF PUMP SUPPORT	
08	11022888	996530007481	2POLES CONNECTOR STEAM PUMP MDS UL	
09	11012193	996530006314	90° INLET CONNECTOR FOR PUMP ULKA MF	
10	147920300	996530017351	TRANS.CONNECTOR D=8 ART.80.26.047 KA.461	
11	JS01.022	996530057357	SILICONE TUBE 5X10 60SH I	IN ROLL
12	147920150	996530017348	90° INLET PUMP CONNECTOR	
13		421941305991	ULKA PUMP EP5FMGW 230V-50HZ	230V-50HZ
	12000182	996530007782	ULKA PUMP EP5/S GW 220V-60HZ	220V-60HZ
	12000142	996530007754	ULKA PUMP EAP5/S 120V-60HZ	120V-60HZ
14	11022885	996530007477	2POLES CONNECTOR COFFEE PUMP MDS UL	
15	11022857	996530007468	BLACK PUMP SUPPORT GMYB	
16	140321961	996530013471	O-RING 2031 TERMOIL	
17	11001054	996530000624	BLK PUMP OUTLET 90°CONNECTOR P0049/B	
18	NV99.099	996530059843	TURBINE D=1,2 932-8521/00 ASSY.	
19	11022925	996530007494	6POLES CONNECTOR FLOWMETER MDS UL	
20	11013735	996530006841	SLIM TUB.BOILER ASSY. 1300W 230V	230V-1300W
	11023153	996530007586	SLIM TUB.BOILER ASSY. 1300W 120V	120V-1300W
21	11001751	996530000997	TUB.BOILER V3 UPPER THERM.FIXING SPRING	
22	129573402	996530012923	SCREW TAPT M4X10 DIN 7985 GALV	
23	190800100	996530026997	TEMPERATURE SENSOR NTC UL L=280MM	
24	-	421940812991	KIT SPARES COFFEE BOILER THERMOSTATS	ONLY FOR CHN
	12001033	996530007973	THERMOSTAT ONE SHOT 190°	
25	12000892	996530007947	OETIKER CLAMP D=9,5 16700004	
26	16000380	996530009505	5X8,9 SILICONE TUBE	IN ROLL
27	17001900	996530073079	STEEL COFFEE TUBOL.BOILER SUPPORT V2 MDS	
28	11023282	996530007608	BLACK SLIM TUB.BOILERS SUPPORT MYB9	
29	12001369	996530008039	SCREW TSP TORX 10 5X35 PLAST.SS	
30	20006558	996530010201	BLOWDOWN VALVE CASING MYB9 ASSY.	
31	129914302	996530013168	SCREW TORX M4X10 TESTA D=8X1,5 GALV	
32	11023071	996530007575	BLK COFFEE BOILER INSULATING COVER MDS	
33	184320200	996530025907	SPRING HOSE CLAMP D=9,5MM	
34	11012206	996530006317	BLACK BLOWDOWN VALVE SUPPORT MYB9	
35	129913902	996530013164	SCREW TCB TORX 10 3X12 PLAST.ZN-B	
36	11013711	996530006834	BLACK VALVE FIXING FLANGE MYB9	
37	11023049	996530067452	DIFFUSER VALVE MDS ASSY.	

POS	CODE	12NC	DESCRIPTION	NOTE
38	11023052	996530007563	BLACK DIFFUSER VALVE SUPPORT MDS	
39	11023914	996530067495	BLACK STEEL DIFFUSER VALVE SUPPORT MDS	
40	11023053	996530007564	BLACK DOOR TUBES COUPLING CONNECTOR MDS	
41	11023048	996530007561	BLACK EV CONNECTOR INSERT MDS	
42	11013789	996530006858	BLACK EV CONNECTOR SEAL MYB9	
43	11013788	996530006857	BLACK EV CONNECTOR INSERT MYB9	
44	11023054	996530007565	BLACK DOOR TUBES COUPLING PROTECTION MDS	
45	11021842	996530007158	SOLENOID VALVE CONNECT.INSUL.WASHER MYB9	
46	20000590	996530009859	BLOWDOWN VALVE COIL P0049 ASSY.	230V 230V
	20000920	996530009914	BLOWDOWN VALVE COIL P0049 ASSY 220V-60HZ	220V-60HZ
	20000680	996530009874	BLOWDOWN VALVE COIL P0049 ASSY.	120V 120V
47	11007565	996530004421	BLACK BLOWDOWN VALVE CONNECTOR V2 P0049	
48	11005096	996530002744	SS FORK SPRING FOR BLOWDOWN VALVE P0049	
49	12000620	996530007856	OR ORM 0130-20 EPDM	
50	12001595	996530067498	TRANSP/WHITE ASPIRATION FILTER MDS	
51	17000408	996530009606	BLACK STEAM BLOWDOWN CONDENSER MDS ASSY.	
52	11023070	996530007574	STEEL STEAM TUBOL.BOILER SUPPORT MDS	
53	17000226	996530067501	BLK HORIZONTAL MOUNTING PLATE INSERT MDS	
54	124390520	996530011326	BRASS BENT FASTON 45° 6,3X0,8	
55	128310402	996530012341	GALV.WASHER UNI 8842 A4	
56	-	421940813001	KIT SPARES STEAM BOILER THERMOSTATS	ONLY FOR CHN
			THERMOSTAT ONE SHOT 190° - SEE POS 24	
57	11013825	996530006868	BLACK MILK-AIR FLOW SELECTOR MYB9	
	11006995	996530003974	BLOWDOWN VALVE V2 MYB9 ASSY. 230V	230V
			WITH PART. N°30-46-47-48-49	
	11021989	996530007212	BLOWDOWN VALVE V2 MYB9 ASSY. 220V-60HZ	220V-60HZ
			WITH PART. N°30-46-47-48-49	
	11022038	996530007215	BLOWDOWN VALVE V2 MYB9 ASSY. 120V	120V
			WITH PART. N°30-46-47-48-49	
	-	421941302131	SLIM TUB.BOIL.C2 T150-204 AS	230V-1300W
			WITH PART. N°20-21-22-23-24	
	-	421941302101	SLIM TUB.BOIL.C2 T170-204 AS	230V-1300W
			WITH PART. N°20-21-22-23-56	
	11026313	996530067955	SLIM TUB.BOIL.C2 T190°-190°1300W 230V AS	ONLY FOR CHN
			WITH PART. N°20-21-22-23-56	
	-	421941302141	SLIM TUB.BOIL.C2 T150-204 AS	120V-1300W
			WITH PART. N°20-21-22-23-24	
	-	421941302111	SLIM TUB.BOIL.C2 T170-204 AS	120V-1300W
			WITH PART. N°20-21-22-23-56	

**PSA EXPRELIA**

**TABLE 6/9**





PHILIPS

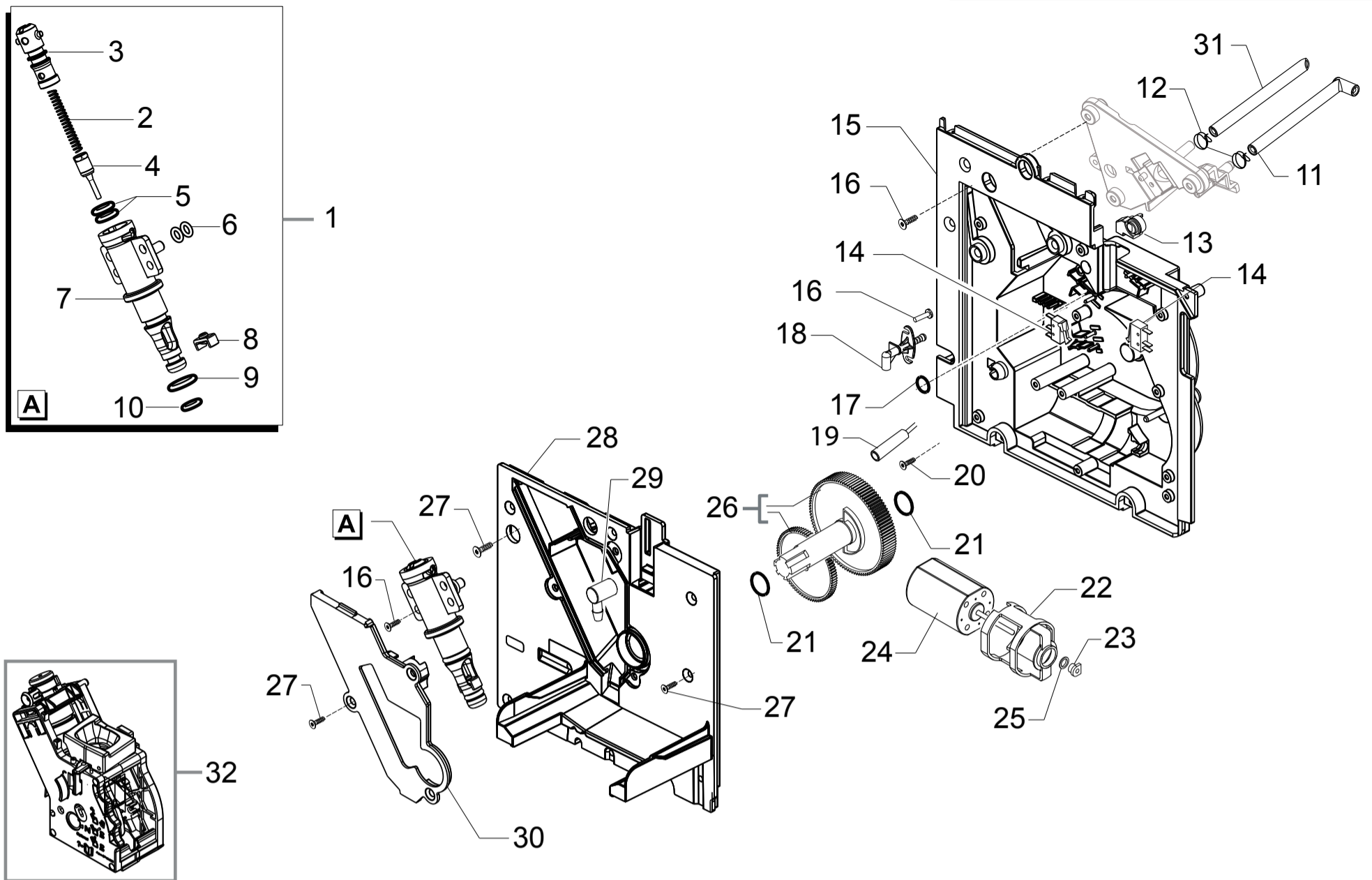
Saeco

HD8854/01-02-03-09-14-15-16 HD8856/01-02  
HD8856/03-04-05-06-08-09-41-43-47



Cod.10003287-3521-22-23-25-79-3760-61-3286  
Cod.10003524-26-78-3738-39-3808-78-4089-90

POS	CODE	12NC	DESCRIPTION	NOTE	POS	CODE	12NC	DESCRIPTION	NOTE
01	11011205	996530005991	TEA ZAMA INCREASE SCREW GRINDER						
02	-	421941094152	BLK COF.GRINDER UPPER GRINDER SUPPORT V2						
03	140328960	996530013577	OR ORM 0530-15 NBR FDA						
04	146520100	996530016342	BAKED CLAY GRINDER 48X28						
05	149198350	996530017952	BLK LOWER COFFEEGRINDER GRINDER SUPPORT						
06	123030300	996530011183	AXIAL BEARING EKKO 342.35252						
07	140360500	996530013597	FELT RING 45,4X39,4X4						
08	12000450	996530007819	SCREW TCB TORX 10 3,5X12 PLAST.ZN-N						
09	11026355	996530068049	BLK GROUND COFF.OUTLET CONVEYOR V4 ASSY.						
10	11030459	996530072511	GRY GROUND COFFEE CONT.LOWER SEAL SMART1						
11	11023063	996530007569	COFFEE GRINDER SOUNDPROOFING COVER MDS						
12	226000300	996530029609	GEAR SX Z=38 FOR GRINDER MOTION ASSY.						
13	149214800	996530018139	MC V3 MOD=1,25 WORM SCREW CENTRING CAP						
14	129661702	996530012992	SCREW TCB TORX 3,5X30 PLAST.ZN-B						
15	128381902	996530012375	STEEL FLAT WASHER DI=4,3 DE=14 SP=1,5						
16	129574802	996530012928	SCREW TCB TORX 20 M4X30 ZN-B						
17	11000597	996530000376	STEEL COF.GRINDER SUPPORT SPRING P124						
18	128310402	996530012341	GALV.WASHER UNI 8842 A4						
19	11002873	996530001389	INSULATOR BUSH FOR GRINDER MOTOR P124						
20	149199050	996530017963	BLK SENSOR SUPPORT FOR COF.GRINDER MOTOR						
21	11000513	996530000317	MOTOR COFFEEGRINDER V3.1 230V ASSY.	230V					
		421941305001	MOTOR COFFEEGRINDER V3.1 120V ASSY.	120V					
22	17800040	996530009633	2POLES CONNECTOR GRINDER MOTOR MDS UL						
23	11000194	996530000115	BLACK COFFEEGRINDER MOTOR SUPPORT P124						
24	181540900	996530022784	ELECTR.BOARD WITH SENSOR HAL506 SF-K						
25	123030200	996530011182	RADIAL BEARING 61900.2RS1						
26	128381800	996530012374	STEEL CRINKLE WASHER 21,8X14X0,25						
27	142905450	996530015258	BLK UPPER BODY WITH COFFEE GROUND OUTLET						
28	11002613	996530001314	LOWER COFFEEGRINDER GEAR SUPPORT P124						
29	11002572	996530001308	COFFEEGRINDER REGULATION SPRING P124						
30	11003784	996530001907	COFFEE GRINDING ADJUSTMENT GEAR P0049						
31	11002508	996530001296	UPPER COFFEEGRINDER GEAR SUPPORT P124						
32	129914002	996530013165	SCREW TCB TORX 10 3,5X16 PLAST.ZN-B						
33	17001921	996530072477	BLK WIRING FIX INSERT FOR GRINDER BOARD						
	11023062	996530067517	AS.GEN.MOTORE MC MDS	230V					
	11025469	996530069907	AS.GEN.MOTORE MC MDS	120V					



PHILIPS

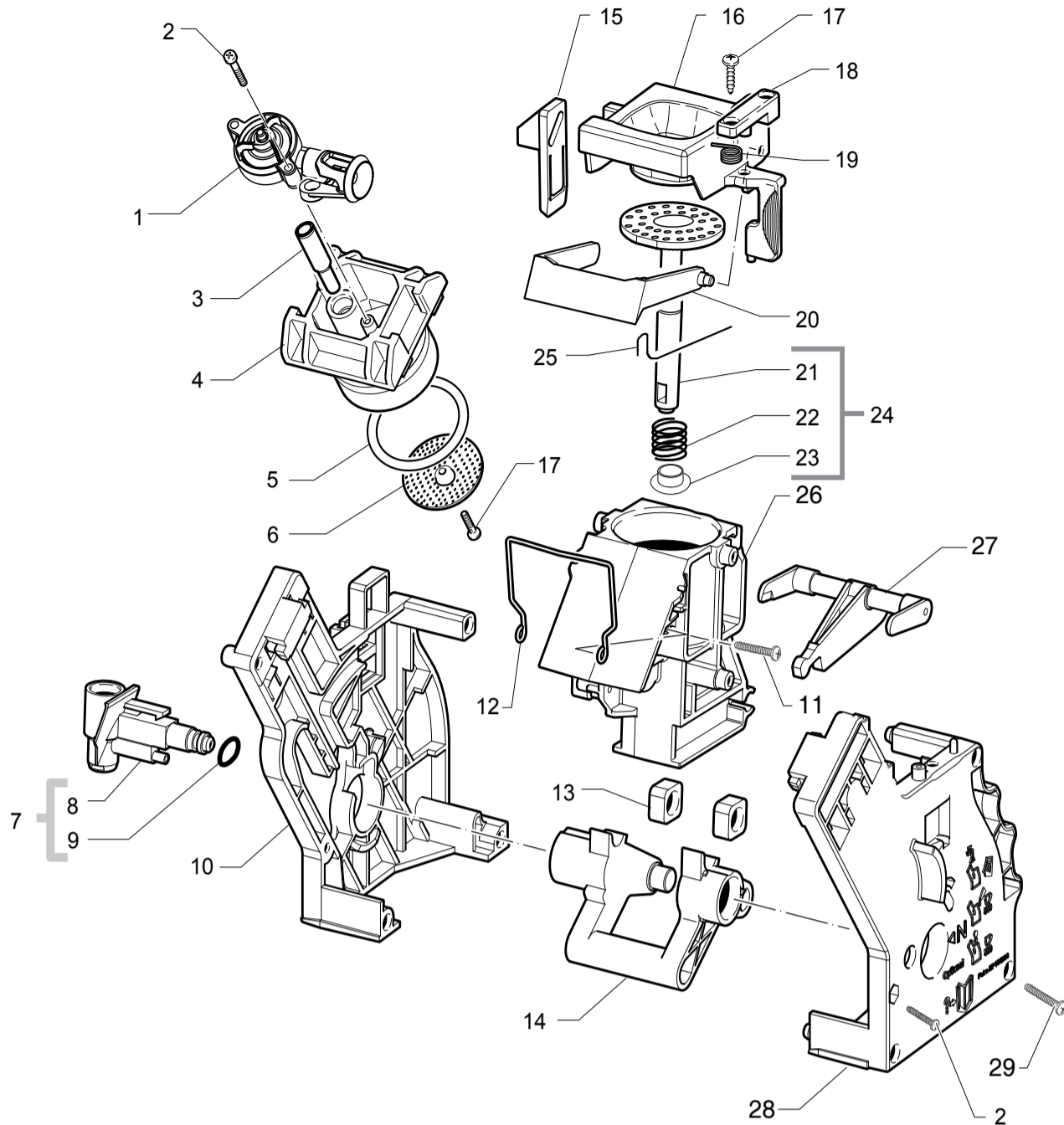
Saeco

HD8854/01-02-03-09-14-15-16 HD8856/01-02  
HD8856/03-04-05-06-08-09-41-43-47



Cod.10003287-3521-22-23-25-79-3760-61-3286  
Cod.10003524-26-78-3738-39-3808-78-4089-90

POS	CODE	12NC	DESCRIPTION	NOTE	POS	CODE	12NC	DESCRIPTION	NOTE
01	11005060	996530002717	PIN V2 FOR BOILER P119 ASSY.						
02	9011.132	996530048874	SS SPRING FOR PIN						
03	11003820	996530001932	BLACK CAP V2 FOR PIN BOILER P119						
04	11009019	996530005183	TEA/BRASS PISTON L=20,9 ASSY.						
05	140324459	996530013508	OR ORM 0060-20 SILICONE PTFE/FDA						
06	140328059	996530013564	OR 2015 SILICONE PTFE/FDA						
07	11003801	996530001926	NAT.PIN V2 FOR BOILER P119						
08	11005099	996530002747	NATURAL CURSOR V2 FOR BOILER P119						
09	NM01.035	996530059399	OR ORM 0090-20 SILICONE						
10	NM01.057	996530059419	OR ORM 0050-20 IN SILICONE						
11	11012337	996530006375	WATER DRAIN CONNECTOR MYB9						
12	NV99.087	996530059836	BAND D=11/11,6						
13	11013514	996530006796	BLACK MOUNTING PLATE COVER SEAL MYB9						
14	NE05.038	996530058869	MICROSWITCH SAIA XCG5-81-P5						
15		421944026281	BLK MOUNTING PLATE WITH PIN V2 MDS ASSY.						
16	12000450	996530007819	SCREW TCB TORX 10 3,5X12 PLAST.ZN-N						
17	140325462	996530013526	OR ORM 0070-20 SILICONE						
18	11023055	996530007566	BLACK STEAM BLOWDOWN 90° CONNECTOR MDS						
19	11003661	996530001819	SENS.REED MK3-1A66-BV16451						
20	129913902	996530013164	SCREW TCB TORX 10 3X12 PLAST.ZN-B						
21	9161.132	996530050569	MYLAR WASHER FOR RATIOMOTOR						
22	9121.044	996530049896	ANTIVIBRATION FOR MOTOR						
23	9121.046	996530049898	BRONZE SINTERED BUSH FOR MOTOR RATIOMOT.						
24	11003037	996530001426	MOTOR FOR RATIOMOTOR ASSY.						
25	148380200	996530017424	BAKELIZZATE WASHER D=5,5						
26	20000900	996530009913	SPARES KIT GEARS FOR RATIOMOTOR V2						
27	12001860	996530072411	SCREW TSP TORX 10 3,5X14 PLAST.SS						
28	17000049	996530068009	BLACK COVER MOUNTING PLATE MDS						
29	147920150	996530017348	90° INLET PUMP CONNECTOR						
30	142856550	996530015064	BLACK COVER FOR BOILER VAIN P119						
31	JS01.022	996530057357	SILICONE TUBE 5X10 60SH IN ROLL	IN ROLL					
32		421944037611	BLK BREW UNIT 8GR.SBS V2 MYB9						



PHILIPS

Saeco

HD8854/01-02-03-09-14-15-16 HD8856/01-02  
HD8856/03-04-05-06-08-09-41-43-47



Cod.10003287-3521-22-23-25-79-3760-61-3286  
Cod.10003524-26-78-3738-39-3808-78-4089-90

POS	CODE	12NC	DESCRIPTION	NOTE	POS	CODE	12NC	DESCRIPTION	NOTE
01	11002154	996530001192	SBS VALVE P124 ASSY.						
02	12000550	996530007838	SCREW TCB TORX 10 3X25 PLAST.SS						
03	11009276	996530005372	BLK COUNTER PISTON TUBE BREW UNIT S0053						
04	11001840	996530001046	BLACK COUNTER PISTON BREW UNIT 8GR.P124						
05	NM01.044	996530059406	OR ORM 0320-40 SILICONE PTFE/FDA						
06	9161.268	996530050709	PERCOLATOR DE=35,8 ELFO						
07	20000440	996530009825	BLACK WATER INLET SLEEVE BREW UNIT ASSY.						
08	9161.064.050	996530050488	BLACK WATER INLET SLEEVE BREW UNIT ROYAL						
09	NM02.007	996530059441	OR 2025 IN TERMOIL						
10	9161.375.050	996530050832	BLACK BREW UNIT REAR PLATE SMART						
11	129912521	996530013148	SCREW TCB TORX 10 3,5X14 PLAST.SS						
12	11001556	996530000898	SS BREW UNIT SPRING H=49 SMART						
13	9161.094.050	996530050539	BLACK BREW UNIT DRILLED BLOCK						
14	9161.066.050	996530050492	BLACK BREW UNIT ELBOW SHAFT M5000						
15		421941065032	BLK BREW UNIT COUPLING PLATE V2 SMART						
16	149261350	996530018241	BLACK HOPPER DOSER BREW UNIT SMART1						
17	12000895	996530007951	SCREW TSP TORX 10 3X10 PLAST.SS						
18	9161.374.050	996530050829	BLK BREWUNIT HOPPER BLOCKING PLATE SMART						
19	9161.378	996530050838	SS HOPPER SPRING FOR BREW UNIT SMART						
20	11004161	996530002096	BLACK SCRAPER FOR BREW UNIT M5000						
21		421944025621	BLK BREW UNIT INTEGR.PISTON 8GR.V3 ASSY.						
22	9161.198	996530050627	SS.8GR.BREW UNIT PISTON SPRING						
23	9161.191	996530050618	WHITE 8GR.-12GR.BREW UNIT PISTON BUSH						
24		421944029791	BLK BREW UNIT 8GR.INT.PISTON GEN.V3 ASSY						
25	9161.046	996530050455	SS SCRAPER SPRING FOR BREW UNIT						
26		421944014611	BLK COF.CONTAIN.BREW UNIT V2 M5000 ASSY.						
27	11003078	996530001452	BLACK CONNECTING ROD BREW UNIT 8GR.						
28	11005920	996530003228	BLACK BREW UNIT FRONT PLATE S/SCR.SMART						
29	12000897	996530007953	SCREW TCB TORX 10 3,5X20 PLAST.SS						
		421944037611	BLK BREW UNIT 8GR.SBS V2 MYB9						