

HD8855/01/03/09
HD8857/01/03/09/47

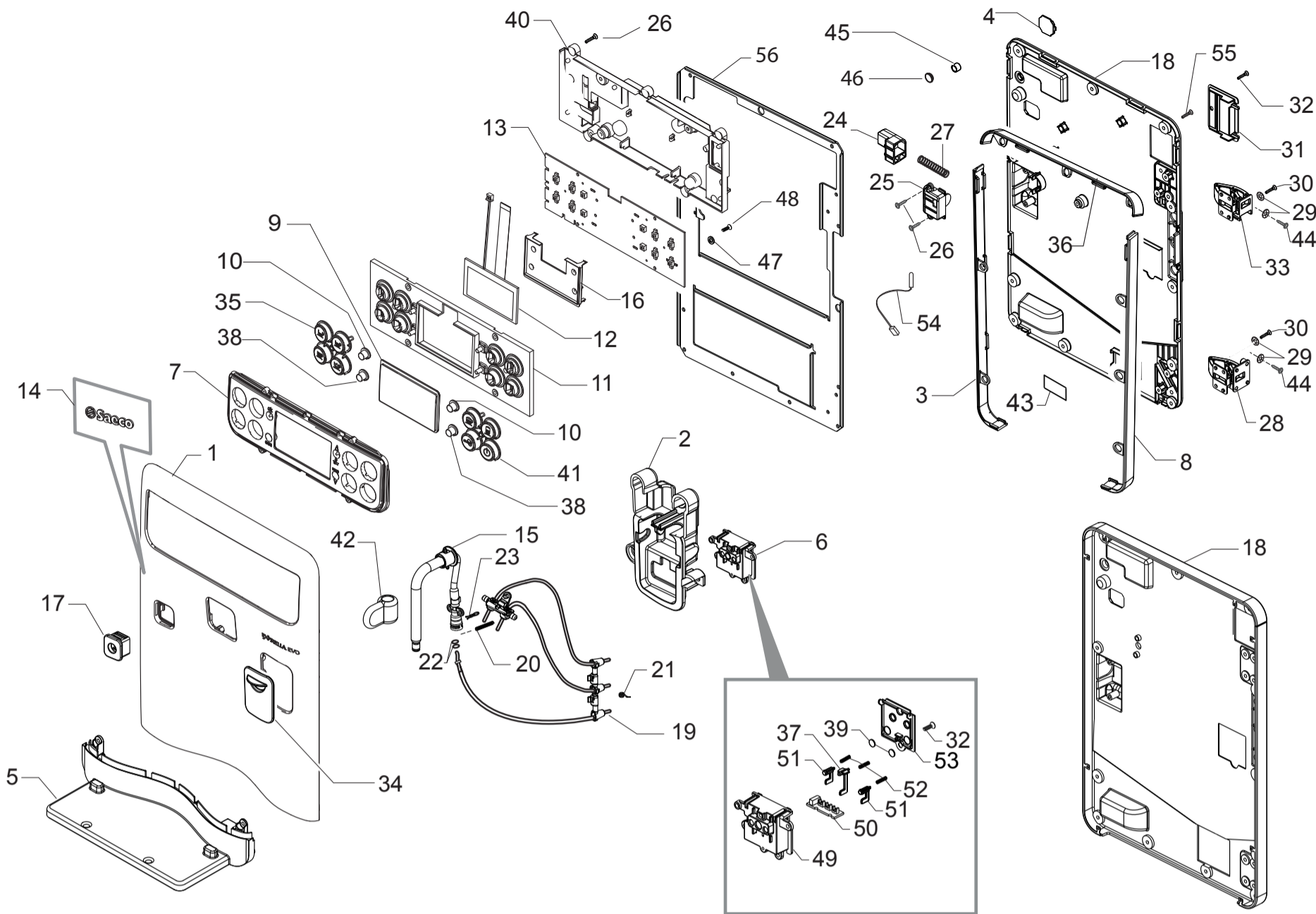


Cod.10004192 - 10004236 - 37
Cod.10004193 - 4238 - 39 - 4388

| POS | CODE | 12NC | DESCRIPTION | NOTE | POS | CODE | 12NC | DESCRIPTION | NOTE |
|-----|-----------|--------------|--|----------|-----|-----------|--------------|--|----------|
| 01 | 15003523 | 996530073223 | DOCUMENTAT.CD MDS EXPRELIA/ENERGICAASSY | | 26 | 11023061 | 996530007568 | BLACK PWR BOARD COVER MDS | |
| 02 | 146680850 | 996530016529 | BLACK COFFEE MEASURE SMART | | 27 | 129914002 | 996530013165 | SCREW TCB TORX 10 3,5X16 PLAST.ZN-B | |
| 03 | 127390100 | 996530011867 | BRUSH FOR CLEANING | | 28 | 11022956 | 996530007512 | BLACK REAR PANEL WHIT LOGO SAECO MDS | |
| 04 | 11028379 | 996530070318 | PSA KLUBER TRIBOSTAR SIL 2 TUBE 5GR. | | 29 | 11028928 | 996530070533 | SB/SS RIGHT SIDE PANEL V2 MDS/H ASSY. | TOP |
| 05 | 11025804 | 996530070517 | CHROM.LEFT LATERAL REAR FRAME INS.MDS | TOP | | 11028927 | 996530070515 | SB/SS RIGHT SIDE PANEL W/FAST.MDS/H ASSY | USA ONLY |
| | 11030757 | 996530072596 | TXT/BLK LEFT LATERAL REAR FRAME INS.MDS | CLASS | | 11030826 | 996530072549 | MATT/BLACK RIGHT SIDE PANEL MDS/P | CLASS |
| 06 | 0301.961 | 996530039604 | STICKER FOR WATER HARDNESS TEST | | 30 | 11021829 | 996530007156 | BLACK/TRANSP.RIGID FOOT MYB9 | |
| 07 | 183911050 | 996530025808 | BLACK POWER CABLE SCHUKO L=1200 | | 31 | 11021769 | 996530007136 | BLACK RIGID FOOT FIXING PIN MYB9 | |
| | 183940650 | 996530025872 | BLACK POWER CABLE AUSTRALIA L=1200 | | 32 | 11026673 | 996530073497 | BLACK DUMP BOX MDS ASSY. | |
| | 183921950 | 996530025843 | POWER CABLE SJT3 USA BLACK UL L=1200 | | 33 | 11023032 | 996530007547 | BLK DRIP TRAY COFF.BREW UNIT COVER MDS | |
| 08 | 13001097 | 996530008404 | BAND FOR LIFTING L=1800MM H=300MM | | 34 | 17002176 | 996530073075 | BLACK COFFEE UNIT DRIP TRAY V2 MDS | |
| 09 | 20006892 | 996530067472 | KIT PS-E INSERT FOR BOX MDS | | 35 | 11023166 | 996530007589 | 40POLES FLAT CABLE BOARDS LINK MDS UL | |
| 10 | 17000111 | 996530067464 | BLACK COVER CONDUCTING SEAL MDS | | 36 | 11013806 | 996530006864 | BLACK FLAT-CABLE PROTECTION MYB9 | |
| 11 | 13001508 | 996530072548 | DISPL.BOX MDSE/H SAE EXPREL.EVOCLASS WE | | 37 | 17000064 | 996530067437 | BLK CAPACIT.SENSOR DEADLOCK INSERT XSM | |
| | 13001618 | 996530072572 | DISPL.BOX MDSE/H SAE EXPREL.EVOCLASS CEE | | 38 | 11025803 | 996530070514 | CHROM.RIGHT LATERAL REAR FRAME INS.MDS | TOP |
| | 13001619 | 996530072558 | DISPL.BOX MDSE/T SAE EXPRELIA EVOTOP CEE | | | 11030756 | 996530072619 | TXT/BLK RIGHT LATERAL REAR FRAME INS.MDS | CLASS |
| | 13001693 | 996530073517 | DISPL.BOX MDSE/T SAE EXPRELIA EVOTOP USA | | 39 | 17000363 | 996530009605 | TRANSP.INFRAREDS PLATE MDS | |
| 12 | 12000450 | 996530007819 | SCREW TCB TORX 10 3,5X12 PLAST.ZN-N | | 40 | 11021976 | 996530007207 | STEEL PLATE FOR DOOR CLOSURE MYB9 | |
| 13 | 11026338 | 996530070513 | SB/SS GROUND CONT.DOOR COVER MDS/H ASSY. | TOP | 41 | 129913202 | 996530013156 | SCREW TCB TORX 10 3X8 PLAST.ZN-B | |
| | 11030840 | 996530072588 | MATT/BLK GROUND CONTAIN.DOOR S/SCR.MDS/P | CLASS | 42 | 9161.111 | 996530050555 | MAGNET FOR FLOAT SUPERAUT. | |
| 14 | 11026339 | 996530070521 | SB/SS WATER CONT.DOOR COVER MDS/H ASSY. | TOP | 43 | 186401220 | 996530026185 | BENT TABS 6,3 D=3,3 <=90° 4001851000 | |
| | 11030827 | 996530072591 | MATT/BLACK WATER CONTAINER DOOR MDS/P | CLASS | 44 | 11006740 | 996530003793 | BRONZE SPRING FOR FRONT CASING G0053 | |
| 15 | 11028990 | 996530070519 | SB/SS LEFT SIDE PANEL V2 MDS/H ASSY. | TOP | 45 | 11025802 | 996530070516 | CHROM.UPPER REAR FRAME INSERT MDS | TOP |
| | 11030825 | 996530072633 | MATT/BLACK LEFT SIDE PANEL MDS/P | CLASS | | 11030755 | 996530072605 | TXT/BLK UPPER REAR FRAME INSERT MDS | CLASS |
| | 11028929 | 996530070512 | SB/SS LEFT SIDE PANEL W/FAST.MDS/H ASSY. | USA ONLY | 46 | 17001686 | 996530073349 | BLACK DOOR UPPER HINGE COVER MDS | |
| 16 | 11023035 | 996530007549 | SS SPRING FOR WATER CONTAINER LEVER MDS | | 47 | 11022984 | 996530067519 | BLK-SB/SS REAR FRAME MDS ASSY. | USA ONLY |
| 17 | 11022425 | 996530007364 | YELLOW LEVER FOR WATER CONTAIN.S/SC.MYB9 | | 48 | 21002050 | 996530071872 | ACC PSA BRITA WATER FILTER 1UNIT | |
| 18 | 11026340 | 996530070511 | SB/SS BEAN CONTAIN.DOOR COVER MDS/H ASSY | TOP | 49 | 11023304 | 996530007613 | PWR ELECTR.BOARD INSULATE SHEET MYB9 | |
| | 11030828 | 996530072577 | MATT/BLACK BEAN CONTAINER DOOR MDS/P | CLASS | 50 | 17000007 | 996530066726 | COMPONENTS SUPPORT INSULATE SHEET MYB9 | |
| 19 | 12001330 | 996530008026 | TRANSP.ROUND ADHESIVE FOOT SJ-5382 | | 51 | 15003592 | 996530072617 | MANUAL SAE HD8855/HD8857 MDSE GB | |
| 20 | 17000113 | 996530067474 | BLACK COVER CASING V2 MDS | | | 15003594 | 996530072556 | MANUAL SAE HD8855/HD8857 MDSE FR | |
| 21 | 11022950 | 996530007507 | BLACK GROUND COFFEE HOPPER PLATE MDS | | | 15003595 | 996530072604 | MANUAL SAE HD8855/HD8857 MDSE ES | |
| 22 | 11023060 | 996530007567 | BLACK HORIZONTAL MOUNTING PLATE MDS | | | | | | |
| 23 | 11022938 | 996530067532 | BLACK STEEL CASING MDS ASSY. | | | | | | |
| 24 | 11003232 | 996530001522 | AS.CPU+SW WATER LEVEL SENSOR V2 | | | | | | |
| 25 | 11024263 | 996530067506 | PWR BOARD MDS | 230V | | | | | |
| | 11021342 | 996530007079 | PWR BOARD MYB9/MDS 120V | 120V | | | | | |



EXPRELIA EVO CLASS - TOP

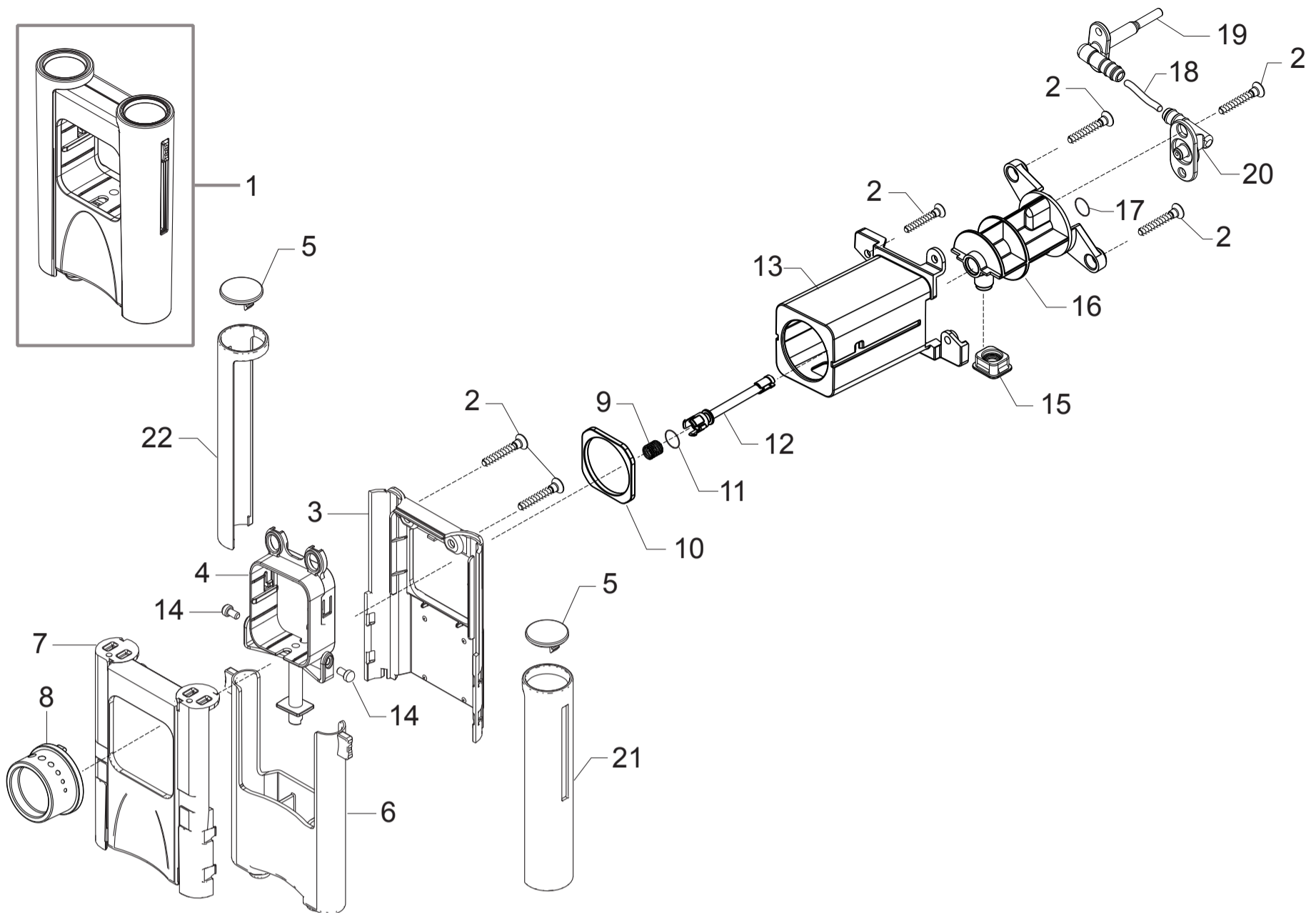


HD8855/01/03/09
HD8857/01/03/09/47



Cod.10004192 - 10004236 - 37
Cod.10004193 - 4238 - 39 - 4388

| POS | CODE | 12NC | DESCRIPTION | NOTE | POS | CODE | 12NC | DESCRIPTION | NOTE |
|-----|-----------|--------------|--|-----------|----------|--------------|--------------|--|-----------|
| 01 | 11029399 | 996530072542 | SB/SS FRONTAL PANEL S/SCR.MDSE ASSY. | | 33 | 17000106 | 996530009584 | DOOR UPPER HINGE V2 MYB9 | |
| 02 | 11023433 | 996530007629 | BLACK FRONTAL PANEL INSERT MDS | | 34 | 11023368 | 996530007622 | CHROM.CONNECT.CAP FOR CARAFE MDS ASSY. | |
| 03 | 11025801 | 996530070528 | CHROM.LEFT LATERAL FRONT FRAME INS.MDS | | 35 | 11029684 | 996530072576 | CRC LEFT BUTTONS S/SCR.MDSE ASSY. | TOP CLASS |
| 04 | 17000363 | 996530009605 | TRANSP.INFRAREDS PLATE MDS | | 11030847 | 996530072582 | 996530072582 | MATT/BLACK LEFT BUTTONS S/SCR.MDSE ASSY. | CLASS |
| 05 | 11029324 | 996530070524 | BLACK DRIP TRAY SUPPORT V2 MDS | | 36 | 11025799 | 996530070525 | CHROM.UPPER FRONT FRAME INSERT MDS | |
| 06 | 11022986 | 996530067487 | BLK CARAFFE BOARD SUPPORT GEN.MDS ASSY. | | 37 | 17000045 | 996530009578 | BLK PRESENCE CARAFE MICRO INSERT V2 MYB9 | |
| 07 | 11029433 | 996530072614 | CHROM.TOUCH PANEL SUPPORT S/SCR.MDSE | TOP CLASS | 38 | 11029430 | 996530072583 | CRC ESC BUTTON MDSE | TOP CLASS |
| | 11030823 | 996530072553 | MATT/BLK TOUCH PANEL SUPPORT S/SCR.MDSE | CLASS | 11030846 | 996530072578 | 996530072578 | MATT/BLACK ESC BUTTON MDSE | CLASS |
| 08 | 11025800 | 996530070527 | CHROM.RIGHT LATERAL FRONT FRAME INS.MDS | | 39 | 12001330 | 996530008026 | TRANSP.ROUND ADHESIVE FOOT SJ-5382 | |
| 09 | 11029410 | 996530072616 | TRANSP.GLASS FOR DISPLAY S/SCR.MDSE | | 40 | 17001303 | 996530072569 | BLACK INSIDE DISPLAY COVER MDSE | |
| 10 | 11029429 | 996530072621 | CRC OK BUTTON MDSE | TOP CLASS | 41 | 11029685 | 996530072564 | CRC RIGHT BUTTONS S/SCR.MDSE ASSY. | TOP CLASS |
| | 11030845 | 996530072627 | MATT/BLACK OK BUTTON MDSE | CLASS | 11030864 | 996530072554 | 996530072554 | MATT/BLK RIGHT BUTTONS S/SCR.MDSE ASSY. | CLASS |
| 11 | 17001272 | 996530072586 | TRANSP.TOUCH PANEL MDSE | | 42 | 17000110 | 996530067454 | BLACK STEAM TUBE HANDGRIP MDS | |
| 12 | 12001777 | 996530072599 | DISPLAY OLED 128X64 MDSE | | 43 | 11003232 | 996530001522 | AS.CPU+SW WATER LEVEL SENSOR V2 | |
| 13 | 11028673 | 996530072777 | AS.CPU+SW MYB9/MDSE | | 11000651 | 996530000425 | 996530000425 | WATER LEVEL SENSOR BOARD P124 | USA ONLY |
| 14 | 11011406 | 996530006054 | ADHES.SILVER PLATE LOGO SAECO P0057 | | 44 | 129823821 | 996530013079 | TCB SCREW M4X8 UNI 7687 SS | |
| 15 | 11023819 | 996530067467 | TF/CHROM.STEAM TUBE MDS ASSY. | | 45 | 9161.111 | 996530050555 | MAGNET FOR FLOAT SUPERAUT. | |
| 16 | 17001424 | 996530072565 | BLACK DISPLAY SUPPORT MDSE | | 46 | 11014016 | 996530006968 | SS.INSERT FOR MAGNET MYB9 | |
| 17 | 11023021 | 996530007542 | CHROM.EXTERNAL STEAM TUBE INSERT MDS | | 47 | 128310321 | 996530012339 | WASHER UNI 8842 A3 SS | |
| 18 | 11030578 | 996530072409 | BLK INSIDE COVER FRONT PANEL V3 MDS | | 48 | 129912902 | 996530013153 | SCREW TCB TORX 10 AB 2,9X6,5 SHEET ZN-B | |
| | 11022985 | 996530067515 | BLK-SB/SS INSIDE COVER FRON.PANEL MDS AS | USA ONLY | 49 | 11023238 | 996530007602 | AS.SUPP.SCHEDA CARAF.V4 MYB9 NER. | |
| 19 | 17000062 | 996530067476 | WHT PREFORM.TEFLON TUBES SUPP.MDS ASSY. | | 50 | 11013368 | 996530006754 | MILKCARAFFE BOARD V2 MYB9 | |
| 20 | 17000006 | 996530009559 | TWO WAY TEFLON TUBES SUPPORT SPRING MYB9 | | 51 | 17000002 | 996530009555 | BLACK CARAFE MICRO INSERT V2 MYB9 | |
| 21 | 17000698 | 996530072574 | STEEL TEFLON TUBES SUPPORT SPRING MDS | | 52 | 17000019 | 996530009566 | SS CARAFE MICRO INSERT SPRING MYB9 | |
| | 11013785 | 996530006856 | STEEL TEFLON TUBES SUPPORT SPRING MYB9 | | 53 | 11013328 | 996530006745 | BLACK CARAFFE BOARD COVER MYB9 | |
| 22 | 140328059 | 996530013564 | OR 2015 SILICONE PTFE/FDA | | 54 | 11003889 | 996530001955 | 2POLES CONNECT.SENSOR REED DOOR P0049 UL | |
| 23 | 9011.144 | 996530048885 | SS FORK FOR TUBE D=4 | | 55 | 129912521 | 996530013148 | SCREW TCB TORX 10 3,5X14 PLAST.SS | |
| 24 | 11014215 | 996530007042 | BLACK BUTTON FOR DOOR RELEASE MYB9 | | 56 | - | 421944004761 | STEEL FRONT FRAME V2 MDS | USA ONLY |
| 25 | 11014218 | 996530007043 | BLACK COVERBUTTON FOR DOOR RELEASE MYB9 | | | | | | |
| 26 | 12000450 | 996530007819 | SCREW TCB TORX 10 3,5X12 PLAST.ZN-N | | | | | | |
| 27 | 11021747 | 996530007128 | SPRING FOR DOOR RELEASE BUTTON MYB9 | | | | | | |
| 28 | 17000094 | 996530009581 | DOOR LOWER HINGE V2 MYB9 | | | | | | |
| 29 | 128310402 | 996530012341 | GALV.WASHER UNI 8842 A4 | | | | | | |
| 30 | 12001728 | 996530070321 | SCREW TCB TORX 10 3,5X12 PLAST.SS | | | | | | |
| | 12001591 | 996530067488 | GALV.SCREW TCB 4,2X13 DIN 7985 F | | | | | | |
| 31 | 17000048 | 996530067469 | BLACK FLAT-CABLE COVER MDS | | | | | | |
| 32 | 12000895 | 996530007951 | SCREW TSP TORX 10 3X10 PLAST.SS | | | | | | |

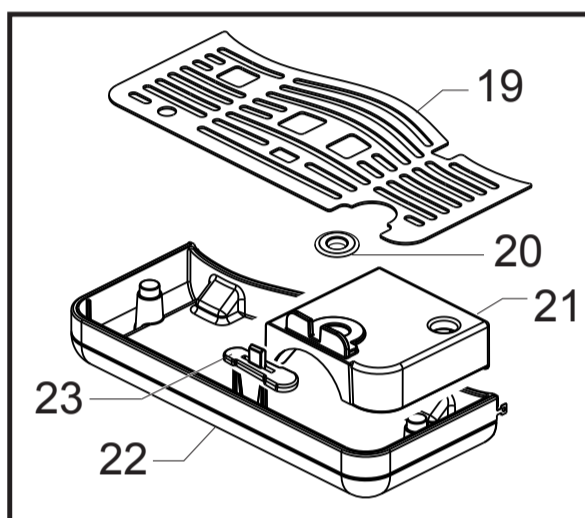
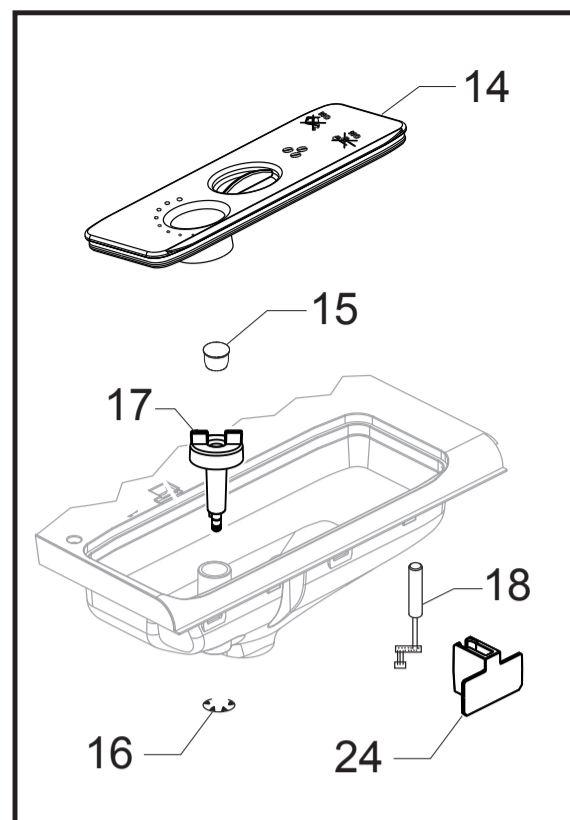
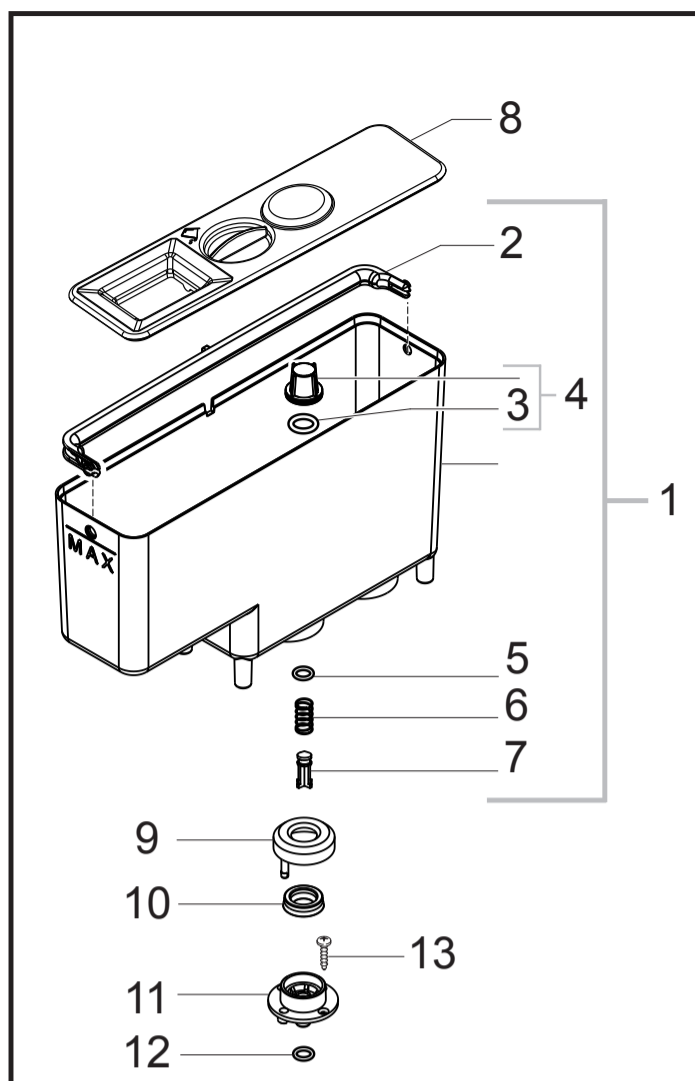


HD8855/01/03/09
HD8857/01/03/09/47



Cod.10004192 - 10004236 - 37
Cod.10004193 - 4238 - 39 - 4388

| POS | CODE | 12NC | DESCRIPTION | NOTE | POS | CODE | 12NC | DESCRIPTION | NOTE |
|-----|-----------|--------------|---|---------|-----|------|------|-------------|------|
| 01 | 11029438 | 996530072545 | CRC COFFEE DISPENSER MDSE ASSY. | TOP | | | | | |
| | 11029559 | 996530072606 | MATT/BLK COFFEE DISPENSER MDSE ASSY. | CLASS | | | | | |
| | | | WITH PART. N° 02-03-04-05-06-07-14-21-22 | | | | | | |
| 02 | 12000450 | 996530007819 | SCREW TCBR TORX 10 3,5X12 PLAST.ZN-N | | | | | | |
| 03 | 17001347 | 996530072628 | BLACK.REAR COVER COFFEE DISPENSER MDSE | | | | | | |
| 04 | 17001341 | 996530072589 | BLACK COFFEE DISPENSER INNER BODY MDSE | | | | | | |
| 05 | 11031418 | 996530073251 | CHROM.COFFEE DISPENSER CAP V2 MDSE | | | | | | |
| 06 | 17001348 | 996530072624 | BLACK EXT.MOBILE PART COF.DISPENSER MDSE | | | | | | |
| 07 | 11029434 | 996530072598 | CRC FRONT COVER COFFEE DISPENSER MDSE | TOP | | | | | |
| | 11030821 | 996530072573 | MATT/BLK FRONT COVER COFF.DISPENSER MDSE | CLASS | | | | | |
| 08 | 11030219 | 996530072546 | CHROM.CREAM ADJUSTMENT KNOB S/SCR.MDSE | | | | | | |
| 09 | 126772518 | 996530011711 | SS COFF.CREAM ADJUSTMENT SHAFT SPRING | | | | | | |
| 10 | 11013324 | 996530006743 | BLACK CREAM ADJUSTMENT KNOB RING MYB9 | | | | | | |
| 11 | 140326661 | 996530013546 | OR ORM 0040-20 BLACK EPDM | | | | | | |
| 12 | 140640200 | 996530013621 | WHITE COFFEE CREAM ADJUSTMENT SHAFT | | | | | | |
| 13 | 11022919 | 996530007492 | CHROM.COFFEE DISPENSER SUPPORT MDS | | | | | | |
| 14 | 11013085 | 996530006614 | WHITE COFFEE DISPENSER SLIDER MYB9 | | | | | | |
| 15 | 11013072 | 996530006604 | BLACK SEAL FOR COFFEE DISPENSER MYB9 | | | | | | |
| 16 | 11013013 | 996530006585 | BLACK COFFEE DISPENSER TUBE MYB9 | | | | | | |
| 17 | 12000070 | 996530007732 | OR ORM 0060-15 SILICONE | | | | | | |
| 18 | 149360200 | 996530018269 | SILICONE TUBE 5X8 70SR | IN ROLL | | | | | |
| 19 | 11013364 | 996530006752 | BLACK DISPENSER COFF.INLET CONNECT.MYB9 | | | | | | |
| 20 | 11012926 | 996530006575 | BLACK COFFEE DISPENSER CONNECTOR MYB9 | | | | | | |
| 21 | 11030090 | 996530073252 | CHROM.LEFT SIDE INSERT COF.DISPENS.MDSE | | | | | | |
| 22 | 11030091 | 996530073253 | CHROM.RIGHT SIDE INSERT COF.DISPENS.MDSE | | | | | | |

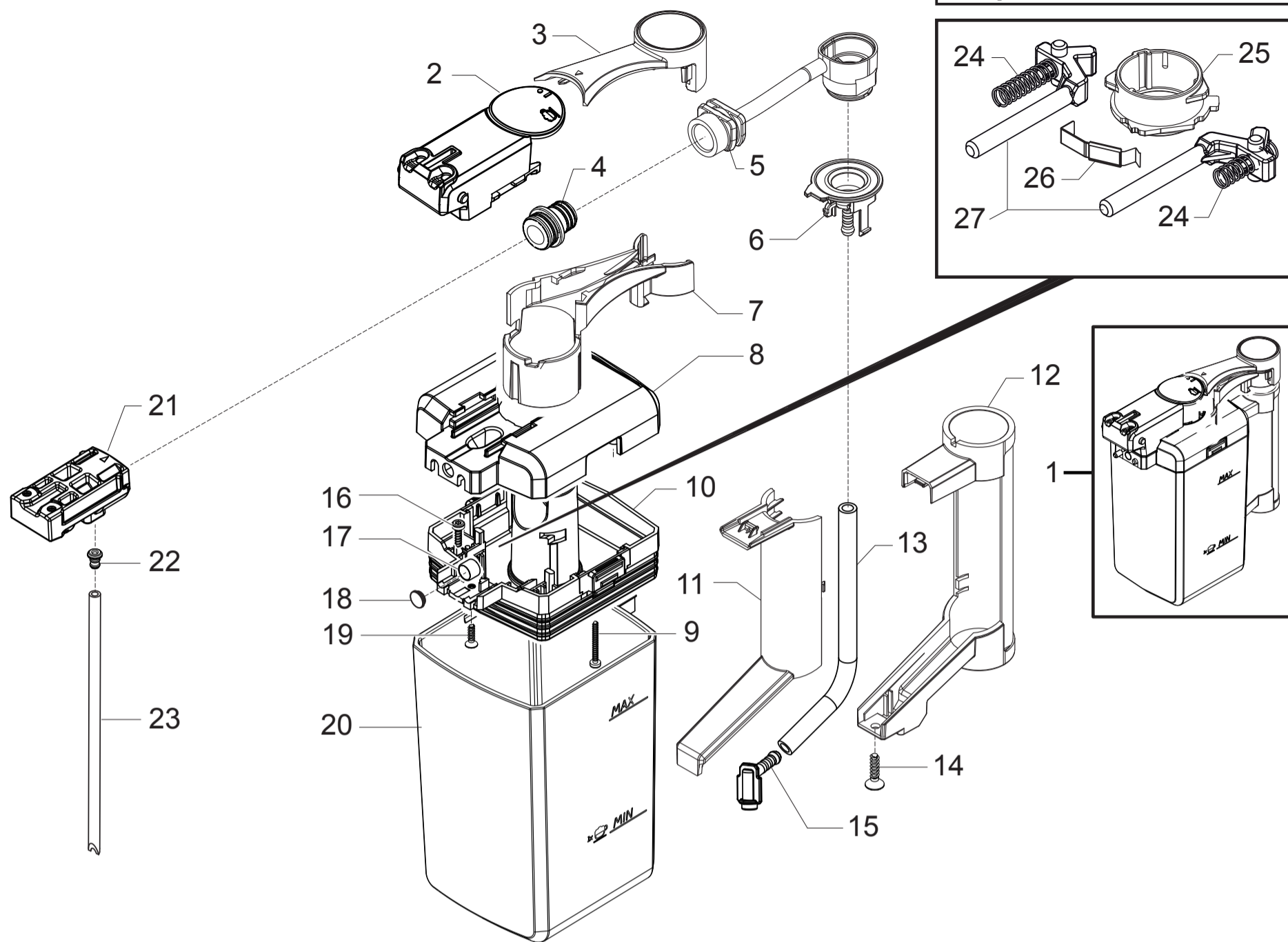


HD8855/01/03/09
HD8857/01/03/09/47



Cod.10004192 - 10004236 - 37
Cod.10004193 - 4238 - 39 - 4388

| POS | CODE | 12NC | DESCRIPTION | NOTE | POS | CODE | 12NC | DESCRIPTION | NOTE |
|-----|--------------|--------------|--|----------------|-----|------|------|-------------|------|
| 01 | 11023037 | 996530007552 | NAT/GREY WATER CONTAINER MDS ASSY. | | | | | | |
| 02 | 11023155 | 996530007587 | BLACK WATER CONTAINER HANDLE MDS | | | | | | |
| 03 | 140328461 | 996530013571 | OR ORM 0190-10 EPDM | | | | | | |
| 04 | 224640200 | 996530029115 | WHITE WATER CONTAINER EXT.FILTER ASSY. | WITH PART.N°03 | | | | | |
| 05 | 140324362 | 996530013507 | OR ORM 0060-30 SILICONE | | | | | | |
| 06 | 126764718 | 996530011626 | SS WATER CONTAINER VALVE SPRING | | | | | | |
| 07 | 147660562 | 996530016894 | GREY PISTON FOR WATER CONTAINER VALVE | | | | | | |
| 08 | 11023038 | 996530007553 | NAT/GREY WATER CONTAINER LID MDS | | | | | | |
| 09 | 0701.031.150 | 996530044417 | GREY WATER VALVE GACO DIM 14 SEAL COVER | | | | | | |
| 10 | 145842900 | 996530015823 | NBR WATER CONT.VALVE GACO DIM14 SEAL | | | | | | |
| 11 | 0701.014.150 | 996530044404 | GREY WATER VALVE GACO DIM 14 SEAL CONT. | | | | | | |
| 12 | 140320461 | 996530013446 | OR ORM 0080-20 TERMOIL | | | | | | |
| 13 | 129535721 | 996530012898 | SCREW TSP TORX 10 AB 3,5X9,5 SHEET SS | | | | | | |
| 14 | 11023044 | 996530007557 | NAT/GRY BEAN COF.CONT.LID S/SCR.MDS ASSY | | | | | | |
| 15 | 149213059 | 996530018116 | GREY CAP FOR KNOBS BEAN CONTAINER | | | | | | |
| 16 | 120350604 | 996530010768 | SHAFT 6 UNI 7434 | | | | | | |
| 17 | 11022951 | 996530007508 | BLACK GRIND.ADJUSTMENT KNOB MDS | | | | | | |
| 18 | 17800430 | 996530073402 | 5POLES CONNECTOR MC SENSORS V2 MDS UL | | | | | | |
| 19 | 11023025 | 996530007543 | SS DRIP TRAY GRATE MDS | | | | | | |
| 20 | 17000147 | 996530066732 | BLACK GRATE SEAL V3 MYB9/H-P | | | | | | |
| 21 | 11023030 | 996530007545 | BLACK DRIP TRAY COVER MDS | | | | | | |
| 22 | 11023029 | 996530067463 | SM/SS-BLACK DRIP TRAY MDS ASSY. | TOP CLASS | | | | | |
| | 17001492 | 996530072594 | BLACK DRIP TRAY MDS/P ASSY. | | | | | | |
| 23 | 17000001 | 996530009554 | RED FLOAT FOR DRIP TRAY MDS | | | | | | |
| 24 | 17000204 | 996530067529 | BLACK REED SENSOR SUPPORT MDS | | | | | | |

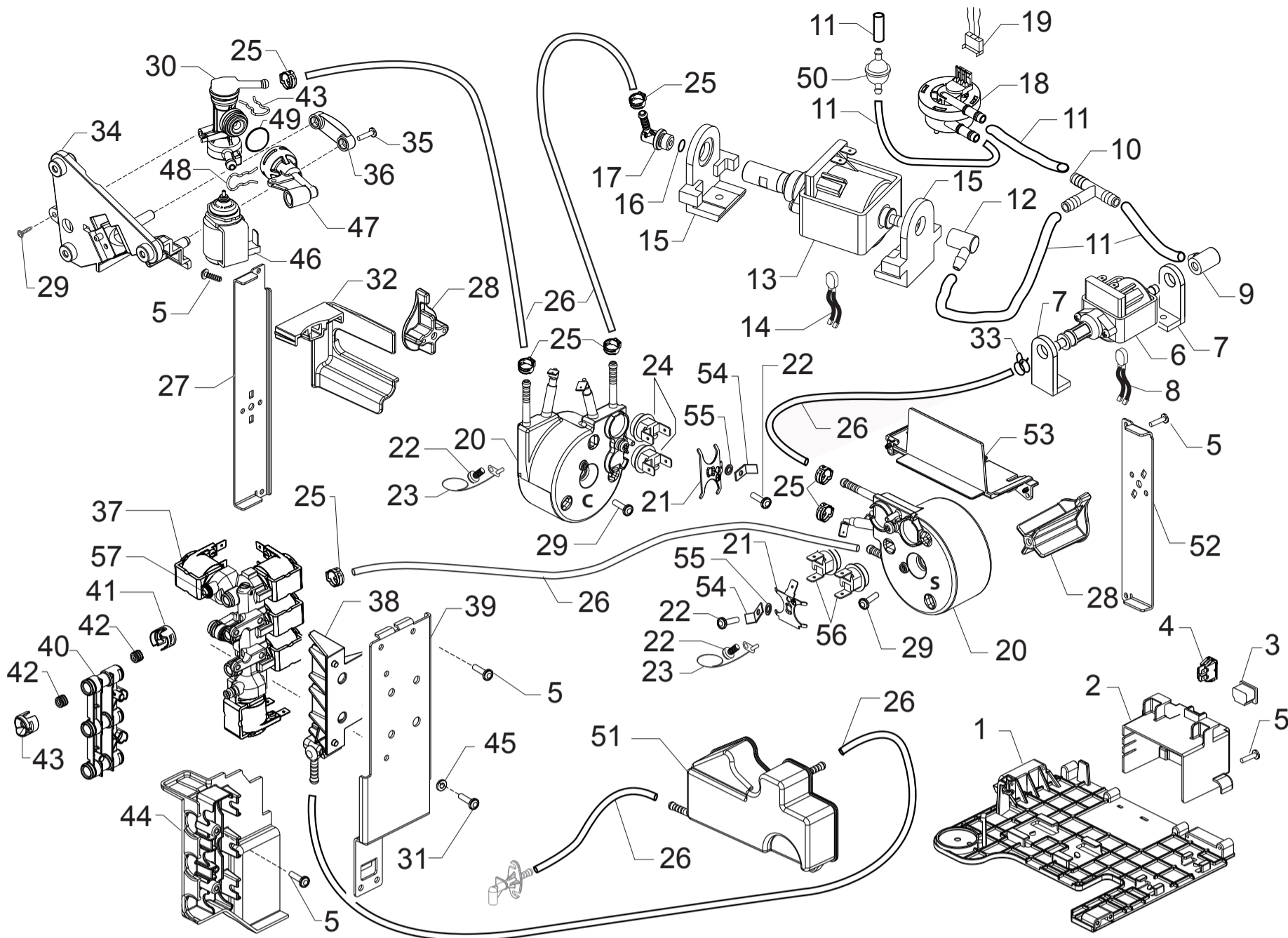


HD8855/01/03/09
HD8857/01/03/09/47



Cod.10004192 - 10004236 - 37
Cod.10004193 - 4238 - 39 - 4388

| POS | CODE | 12NC | DESCRIPTION | NOTE | POS | CODE | 12NC | DESCRIPTION | NOTE |
|-----|-----------|--------------|--|---------|-----|------|------|-------------|------|
| 01 | 11029686 | 996530072568 | TRANSP-TXO/BLACK GEN.CARAFE MDSE ASSY. | | | | | | |
| 02 | 11030112 | 996530073249 | TXO/BLK CARAF.CAP.COVER V2 MYB9 ASSY. | | | | | | |
| 03 | 11029717 | 996530072611 | TXO/BLK CARAF.UPPER DISP.SUPP.MDSE ASSY. | | | | | | |
| 04 | 11012812 | 996530006527 | VENTURI TUBE FOR CAPPUCCINATORE MYB9 | | | | | | |
| 05 | 17001880 | 996530073248 | BLACK CARAFE MILK DISPENSER TUBE V2 MDSE | | | | | | |
| 06 | 17001564 | 996530072547 | BLACK UPPER TUBE CARAFE CONNECT.MDSE | | | | | | |
| 07 | 11029458 | 996530072634 | TXO/BLK CARAFE LOWER DISPENSER SUPP.MDSE | | | | | | |
| 08 | 11030950 | 996530072575 | MATT/BLACK UPPER COVER PART CARAFE MYB9 | | | | | | |
| 09 | 12000550 | 996530007838 | SCREW TCB TORX 10 3X25 PLAST.SS | | | | | | |
| 10 | 11021893 | 996530007192 | BLACK LOWER COVER PART CARAFE MYB9 ASSY. | | | | | | |
| 11 | 11029472 | 996530072555 | TXO/BLK CARAFE REAR PART HANDLE MDSE | | | | | | |
| 12 | 11029727 | 996530072615 | TXO/BLK CARAF.FRONT PART HANDL.MDSE ASSY | | | | | | |
| 13 | 149360200 | 996530018269 | SILICONE TUBE 5X8 70SR | IN ROLL | | | | | |
| 14 | 129911721 | 996530013137 | SCREW TSP TORX 4X16 PLAST STEEL | | | | | | |
| 15 | 11013164 | 996530006669 | BLACK LOWER TUBE CARAFE CONNECT.MYB9 | | | | | | |
| 16 | 129910921 | 996530013128 | SCREW TCB TORX 10 3X10 SS | | | | | | |
| 17 | 9161.111 | 996530050555 | MAGNET FOR FLOAT SUPERAUT. | | | | | | |
| 18 | 11014016 | 996530006968 | SS.INSERT FOR MAGNET MYB9 | | | | | | |
| 19 | 12000895 | 996530007951 | SCREW TSP TORX 10 3X10 PLAST.SS | | | | | | |
| 20 | 11024104 | 996530007705 | TRANSP.CARAFE V3 S/SCREEN MYB9 | | | | | | |
| 21 | 17000004 | 996530009557 | BLK CARAFE CAPPUCCIN.CASING W/CAPS MYB9 | | | | | | |
| 22 | 17001076 | 996530072552 | GREY MILK TUBE CONNECTOR MDSE | | | | | | |
| 23 | 11012814 | 996530067584 | SILICONE TUBE 3,5X6 L=140 MM | | | | | | |
| 24 | 11013765 | 996530006849 | STEEL SPRING FOR CARAFE LEVER MYB9 | | | | | | |
| 25 | 17001728 | 996530072607 | BLACK CAM FOR CARAFE LEVERS MDSE | | | | | | |
| 26 | 11013832 | 996530006873 | CARAFE SPRING WITH INSERT MYB9 ASSY. | | | | | | |
| 27 | 17000131 | 996530067459 | BLACK LEVER FOR CARAFE CAM V3 MYB9 | | | | | | |



HD8855/01/03/09
HD8857/01/03/09/47

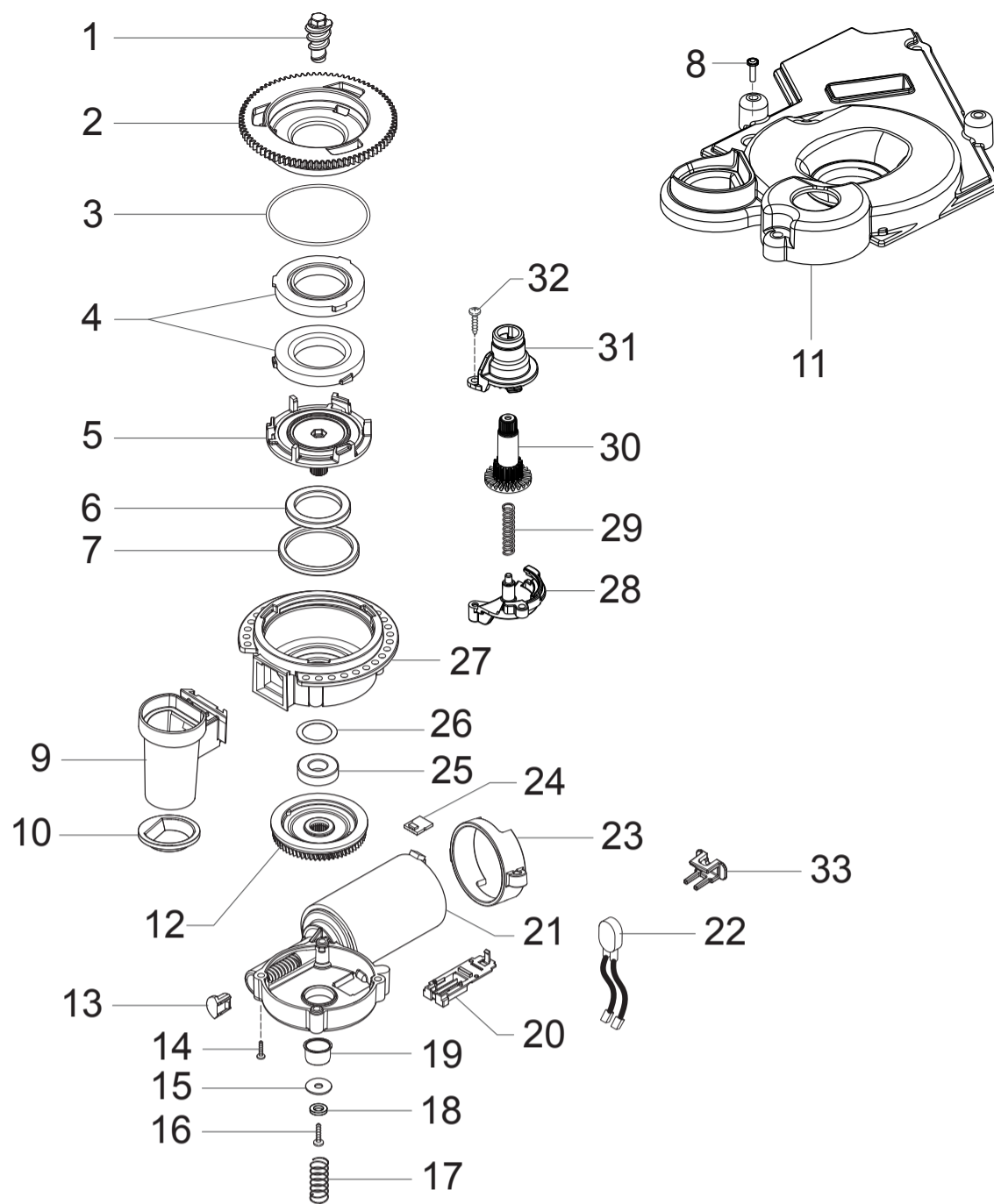


Cod.10004192 - 10004236 - 37
Cod.10004193 - 4238 - 39 - 4388

| POS | CODE | 12NC | DESCRIPTION | NOTE | POS | CODE | 12NC | DESCRIPTION | NOTE |
|-----|-----------|--------------|--|------------|-----|-----------|--------------|--|------------|
| 01 | 11023066 | 996530007572 | BLACK COMPONENTS SUPPORT MDS | | 40 | 11023053 | 996530007564 | BLACK DOOR TUBES COUPLING CONNECTOR MDS | |
| 02 | 11023074 | 996530067449 | BLACK SOCKET-SWITCH SUPPORT MDS | | 41 | 11023048 | 996530007561 | BLACK EV CONNECTOR INSERT MDS | |
| 03 | 12001883 | 996530072437 | CUP SOCKET V3 EN 60320 C 13 | | 42 | 11013789 | 996530006858 | BLACK EV CONNECTOR SEAL MYB9 | |
| | 12001645 | 996530069782 | CUP SOCKET V2 EN 60320 C 13 | UL | 43 | 11013788 | 996530006857 | BLACK EV CONNECTOR INSERT MYB9 | |
| 04 | NE03.038 | 996530058836 | BIPOLAR SWITCH FUSIT C1250AR | | 44 | 11023054 | 996530007565 | BLACK DOOR TUBES COUPLING PROTECTION MDS | |
| 05 | 12000450 | 996530007819 | SCREW TCBR TORX 10 3,5X12 PLAST.ZN-N | | 45 | 11021842 | 996530007158 | SOLENOID VALVE CONNECT.INSUL.WASHER MYB9 | |
| 06 | 12001212 | 996530008003 | ULKA PUMP MF | 230V-50HZ | 46 | 20000590 | 996530009859 | BLOWDOWN VALVE COIL P0049 ASSY. | 230V |
| | 12001346 | 996530008028 | ULKA PUMP MF | 120V-60HZ | | 20000680 | 996530009874 | BLOWDOWN VALVE COIL P0049 120V ASSY. | |
| 07 | 11012194 | 996530006315 | BLACK/SBR ULKA MF PUMP SUPPORT | | 47 | 11007565 | 996530004421 | BLACK BLOWDOWN VALVE CONNECTOR V2 P0049 | |
| 08 | 11022888 | 996530007481 | 2POLES CONNECTOR STEAM PUMP MDS UL | | 48 | 11005096 | 996530002744 | SS FORK SPRING FOR BLOWDOWN VALVE P0049 | |
| 09 | 11012193 | 996530006314 | 90° INLET CONNECTOR FOR PUMP ULKA MF | | 49 | 12000620 | 996530007856 | OR ORM 0130-20 EPDM | |
| 10 | 147920300 | 996530017351 | TRANS.CONNECTOR D=8 ART.80.26.047 KA.461 | | 50 | 12001595 | 996530067498 | TRANSP/WHITE ASPIRATION FILTER MDS | |
| 11 | JS01.022 | 996530057357 | SILICONE TUBE 5X10 60SH | IN ROLL | 51 | 17000408 | 996530009606 | BLACK STEAM BLOWDOWN CONDENSER MDS ASSY. | |
| 12 | 147920150 | 996530017348 | 90° INLET PUMP CONNECTOR | | 52 | 11023070 | 996530007574 | STEEL STEAM TUBOL.BOILER SUPPORT MDS | |
| 13 | 12000140 | 996530007753 | ULKA PUMP EP5/S GW | 230V-50HZ | 53 | 17000226 | 996530067501 | BLK HORIZONTAL MOUNTING PLATE INSERT MDS | |
| | 12000142 | 996530007754 | ULKA PUMP EAP5/S | 120V-60HZ | 54 | 124390520 | 996530011326 | BRASS BENT FASTON 45° 6,3X0,8 | |
| 14 | 11022885 | 996530007477 | 2POLES CONNECTOR COFFEE PUMP MDS UL | | 55 | 128310402 | 996530012341 | GALV.WASHER UNI 8842 A4 | |
| 15 | 11022857 | 996530007468 | BLACK PUMP SUPPORT GMYB | | 56 | - | 421940813001 | KIT SPARES STEAM BOILER THERMOSTATS | |
| 16 | 140321961 | 996530013471 | O-RING 2031 TERMOIL | | 57 | 11013825 | 996530006868 | BLACK MILK-AIR FLOW SELECTOR MYB9 | |
| 17 | 11001054 | 996530000624 | BLK PUMP OUTLET 90°CONNECTOR P0049/B | | | 11006995 | 996530003974 | BLOWDOWN VALVE V2 MYB9 ASSY. | 230V |
| 18 | NV99.099 | 996530059843 | TURBINE D=1,2 932-8521/00 ASSY. | | | 11022038 | 996530007215 | BLOWDOWN VALVE V2 MYB9 ASSY | 120V |
| 19 | 11022925 | 996530007494 | 6POLES CONNECTOR FLOWMETER MDS UL | | | | | WITH PART. N°30-46-47-48-49 | |
| 20 | 11013735 | 996530006841 | SLIM TUB.BOILER ASSY. | 230V-1300W | | | | WITH PART. N°30-46-47-48-49 | |
| | 11023153 | 996530007586 | SLIM TUB.BOILER ASSY. | 120V-1300W | | | | | |
| 21 | 11001751 | 996530000997 | TUB.BOILER V3 UPPER THERM.FIXING SPRING | | | | | | |
| 22 | 129573402 | 996530012923 | SCREW TAPT M4X10 DIN 7985 GALV | | | | 421941302131 | SLIM TUB.BOIL.C2 T150-204 AS | 230V-1300W |
| 23 | 190800100 | 996530026997 | TEMPERATURE SENSOR NTC UL L=280MM | | | | 421941302101 | SLIM TUB.BOIL.C2 T170-204 AS | 230V-1300W |
| 24 | - | 421940812991 | KIT SPARES COFFEE BOILER THERMOSTATS | | | | 421941302141 | SLIM TUB.BOIL.C2 T150-204 AS | 120V-1300W |
| 25 | 12000892 | 996530007947 | OETIKER CLAMP D=9,5 16700004 | | | | 421941302111 | SLIM TUB.BOIL.C2 T170-204 AS | 120V-1300W |
| 26 | 16000380 | 996530009505 | 5X8,9 SILICONE TUBE | IN ROLL | | | | WITH PART. N°20-21-22-23-56 | |
| 27 | 17001900 | 996530073079 | STEEL COFFEE TUBOL.BOILER SUPPORT V2 MDS | | | | | WITH PART. N°20-21-22-23-24 | |
| 28 | 11023282 | 996530007608 | BLACK SLIM TUB.BOILERS SUPPORT MYB9 | | | | | | |
| 29 | 12001369 | 996530008039 | SCREW TSP TORX 10 5X35 PLAST.SS | | | | | | |
| 30 | 20006558 | 996530010201 | BLOWDOWN VALVE CASING MYB9 ASSY. | | | | | | |
| 31 | 129914302 | 996530013168 | SCREW TORX M4X10 TESTA D=8X1,5 GALV | | | | | | |
| 32 | 11023071 | 996530007575 | BLK COFFEE BOILER INSULATING COVER MDS | | | | | | |
| 33 | 184320200 | 996530025907 | SPRING HOSE CLAMP D=9,5MM | | | | | | |
| 34 | 11012206 | 996530006317 | BLACK BLOWDOWN VALVE SUPPORT MYB9 | | | | | | |
| 35 | 129913902 | 996530013164 | SCREW TCB TORX 10 3X12 PLAST.ZN-B | | | | | | |
| 36 | 11013711 | 996530006834 | BLACK VALVE FIXING FLANGE MYB9 | | | | | | |
| 37 | 11027559 | 996530072631 | DIFFUSER VALVE V2 MDS ASSY. | | | | | | |
| 38 | 17001328 | 996530072561 | BLACK DIFFUSER VALVE SUPPORT V2 MDS | | | | | | |
| 39 | 11023914 | 996530067495 | BLACK STEEL DIFFUSER VALVE SUPPORT MDS | | | | | | |



EXPRELIA EVO CLASS - TOP

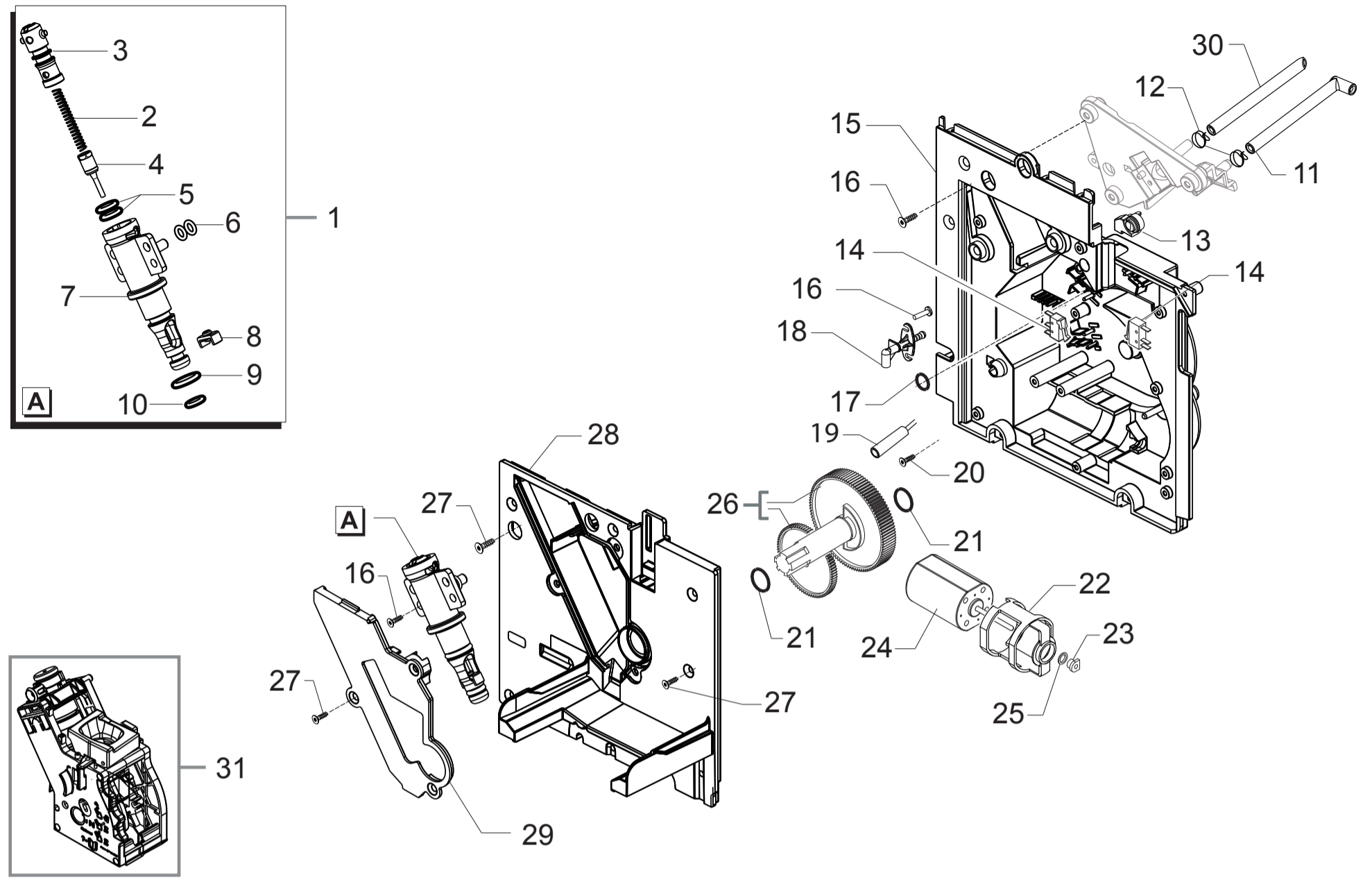


HD8855/01/03/09
HD8857/01/03/09/47



Cod.10004192 - 10004236 - 37
Cod.10004193 - 4238 - 39 - 4388

| POS | CODE | 12NC | DESCRIPTION | NOTE | POS | CODE | 12NC | DESCRIPTION | NOTE |
|-----|-----------|--------------|--|------|-----|------|------|-------------|------|
| 01 | 11011205 | 996530005991 | TEA ZAMA INCREASE SCREW GRINDER | | | | | | |
| 02 | 149198250 | 996530017951 | BLK UPPER COFFEEGRINDER GRINDER SUPPORT | | | | | | |
| 03 | 140328960 | 996530013577 | OR ORM 0530-15 NBR FDA | | | | | | |
| 04 | 146520100 | 996530016342 | BAKED CLAY GRINDER 48X28 | | | | | | |
| 05 | 149198350 | 996530017952 | BLK LOWER COFFEEGRINDER GRINDER SUPPORT | | | | | | |
| 06 | 123030300 | 996530011183 | AXIAL BEARING EKKO 342.35252 | | | | | | |
| 07 | 140360500 | 996530013597 | FELT RING 45,4X39,4X4 | | | | | | |
| 08 | 12000450 | 996530007819 | SCREW TCB TORX 10 3,5X12 PLAST.ZN-N | | | | | | |
| 09 | 11026355 | 996530068049 | BLK GROUND COFF.OUTLET CONVEYOR V4 ASSY. | | | | | | |
| 10 | 11030459 | 996530072511 | GRY GROUND COFFEE CONT.LOWER SEAL SMART1 | | | | | | |
| 11 | 11023063 | 996530007569 | COFFEE GRINDER SOUNDPROOFING COVER MDS | | | | | | |
| 12 | 226000300 | 996530029609 | GEAR SX Z=38 FOR GRINDER MOTION ASSY. | | | | | | |
| 13 | 149214800 | 996530018139 | MC V3 MOD=1,25 WORM SCREW CENTRING CAP | | | | | | |
| 14 | 129661702 | 996530012992 | SCREW TCB TORX 3,5X30 PLAST.ZN-B | | | | | | |
| 15 | 128381902 | 996530012375 | STEEL FLAT WASHER DI=4,3 DE=14 SP=1,5 | | | | | | |
| 16 | 129574802 | 996530012928 | SCREW TCB TORX 20 M4X30 ZN-B | | | | | | |
| 17 | 11000597 | 996530000376 | COFFEE GRINDER SUPPORT SPRING P124 | | | | | | |
| 18 | 128310402 | 996530012341 | GALV.WASHER UNI 8842 A4 | | | | | | |
| 19 | 11002873 | 996530001389 | INSULATOR BUSH FOR GRINDER MOTOR P124 | | | | | | |
| 20 | 149199050 | 996530017963 | BLK SENSOR SUPPORT FOR COF.GRINDER MOTOR | | | | | | |
| 21 | 11000513 | 996530000317 | MOTOR COFFEEGRINDER V3.1 ASSY. | 230V | | | | | |
| | 11000511 | 996530000315 | MOTOR COFFEEGRINDER V3.1 ASSY. | 120V | | | | | |
| 22 | 17800040 | 996530009633 | 2POLES CONNECTOR GRINDER MOTOR MDS UL | | | | | | |
| 23 | 11000194 | 996530000115 | BLACK COFFEEGRINDER MOTOR SUPPORT P124 | | | | | | |
| 24 | 181540900 | 996530022784 | ELECTR.BOARD WITH SENSOR HAL506 SF-K | | | | | | |
| 25 | 123030200 | 996530011182 | RADIAL BEARING 61900.2RS1 | | | | | | |
| 26 | 128381800 | 996530012374 | STEEL CRINKLE WASHER 21,8X14X0,25 | | | | | | |
| 27 | 142905450 | 996530015258 | BLK UPPER BODY WITH COFFEE GROUND OUTLET | | | | | | |
| 28 | 11002613 | 996530001314 | LOWER COFFEEGRINDER GEAR SUPPORT P124 | | | | | | |
| 29 | 11002572 | 996530001308 | COFFEEGRINDER REGULATION SPRING P124 | | | | | | |
| 30 | 11003784 | 996530001907 | COFFEE GRINDING ADJUSTMENT GEAR P0049 | | | | | | |
| 31 | 11002508 | 996530001296 | UPPER COFFEEGRINDER GEAR SUPPORT P124 | | | | | | |
| 32 | 129914002 | 996530013165 | SCREW TCB TORX 10 3,5X16 PLAST.ZN-B | | | | | | |
| 33 | 17001921 | 996530072477 | BLK WIRING FIX INSERT FOR GRINDER BOARD | | | | | | |
| | 11023062 | 996530067517 | GEN.COFFEE GRINDER MOTOR MDS ASSY. | 230V | | | | | |
| | 11025469 | 996530069907 | GEN.COFFEE GRINDER MOTOR MDS ASSY. | 120V | | | | | |



HD8855/01/03/09
HD8857/01/03/09/47

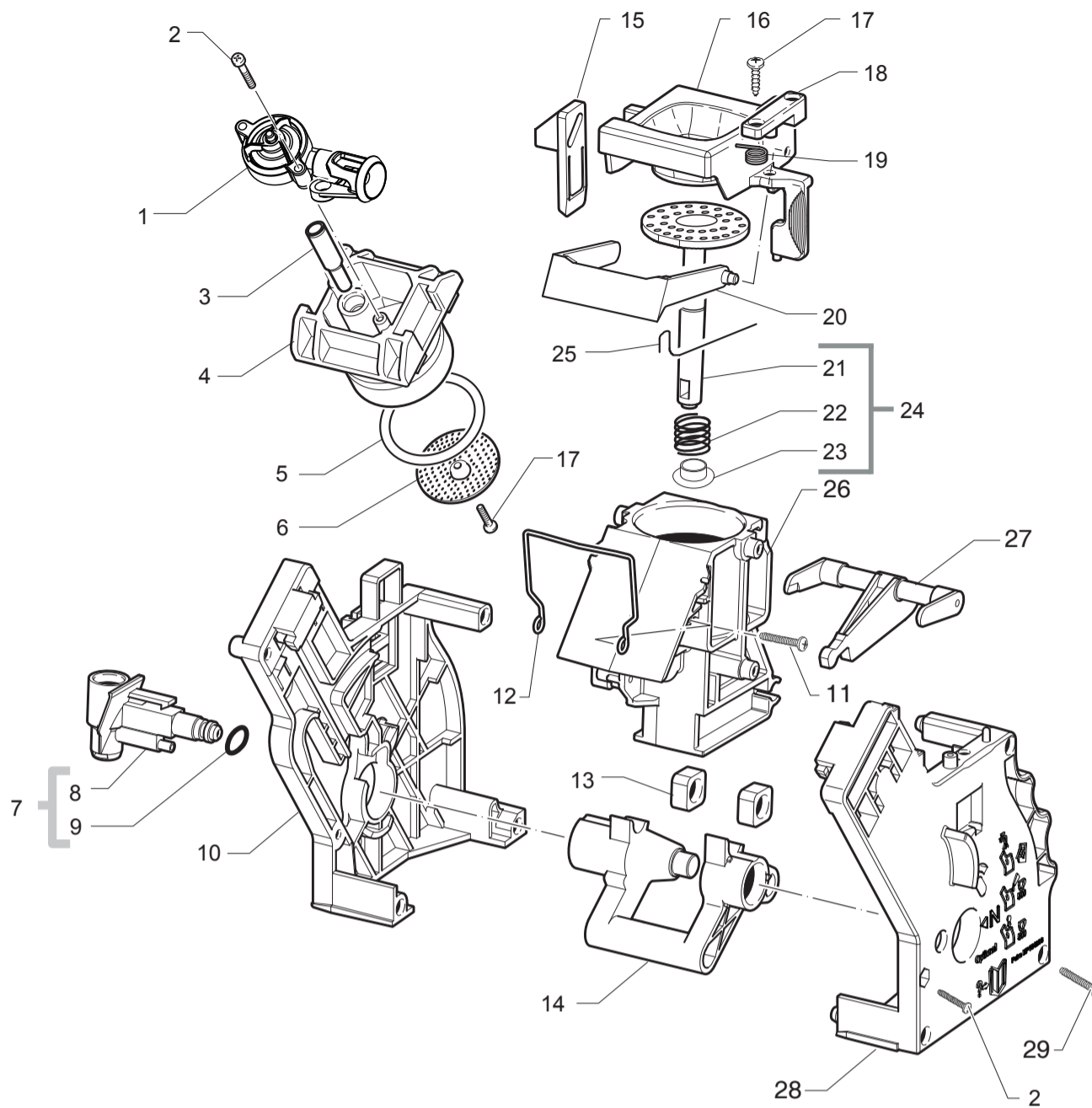


Cod.10004192 - 10004236 - 37
Cod.10004193 - 4238 - 39 - 4388

| POS | CODE | 12NC | DESCRIPTION | NOTE | POS | CODE | 12NC | DESCRIPTION | NOTE |
|-----|-----------|--------------|--|---------|-----|------|------|-------------|------|
| 01 | 11005060 | 996530002717 | PIN V2 FOR BOILER P119 ASSY. | | | | | | |
| 02 | 9011.132 | 996530048874 | SS SPRING FOR PIN | | | | | | |
| 03 | 11003820 | 996530001932 | BLACK CAP V2 FOR PIN BOILER P119 | | | | | | |
| 04 | 11009019 | 996530005183 | TEA/BRASS PISTON L=20,9 ASSY. | | | | | | |
| 05 | 140324459 | 996530013508 | OR ORM 0060-20 SILICONE PTFE/FDA | | | | | | |
| 06 | 140328059 | 996530013564 | OR 2015 SILICONE PTFE/FDA | | | | | | |
| 07 | 11003801 | 996530001926 | NAT.PIN V2 FOR BOILER P119 | | | | | | |
| 08 | 11005099 | 996530002747 | NATURAL CURSOR V2 FOR BOILER P119 | | | | | | |
| 09 | NM01.035 | 996530059399 | OR ORM 0090-20 SILICONE | | | | | | |
| 10 | NM01.057 | 996530059419 | OR ORM 0050-20 IN SILICONE | | | | | | |
| 11 | 11012337 | 996530006375 | WATER DRAIN CONNECTOR MYB9 | | | | | | |
| 12 | NV99.087 | 996530059836 | BAND D=11/11,6 | | | | | | |
| 13 | 11013514 | 996530006796 | BLACK MOUNTING PLATE COVER SEAL MYB9 | | | | | | |
| 14 | NE05.038 | 996530058869 | MICROSWITCH SAIA XCG5-81-P5 | | | | | | |
| 15 | 11023064 | 996530007571 | BLACK MOUNTING PLATE WITH PIN MDS ASSY. | | | | | | |
| 16 | 12000450 | 996530007819 | SCREW TCB TORX 10 3,5X12 PLAST.ZN-N | | | | | | |
| 17 | 140325462 | 996530013526 | OR ORM 0070-20 SILICONE | | | | | | |
| 18 | 11023055 | 996530007566 | BLACK STEAM BLOWDOWN 90° CONNECTOR MDS | | | | | | |
| 19 | 11003661 | 996530001819 | REED SENSOR MK3-1A66-BV16451 | | | | | | |
| 20 | 129913902 | 996530013164 | SCREW TCB TORX 10 3X12 PLAST.ZN-B | | | | | | |
| 21 | 9161.132 | 996530050569 | MYLAR WASHER FOR RATIOMOTOR | | | | | | |
| 22 | 9121.044 | 996530049896 | ANTIVIBRATION FOR MOTOR | | | | | | |
| 23 | 9121.046 | 996530049898 | BRONZE SINTERED BUSH FOR MOTOR RATIOMOT. | | | | | | |
| 24 | 11005214 | 996530002796 | MOTOR FOR RATIOMOTOR P124 ASSY. | | | | | | |
| 25 | 148380200 | 996530017424 | BAKELIZZATE WASHER D=5,5 | | | | | | |
| 26 | 20000900 | 996530009913 | SPARES KIT GEARS FOR RATIOMOTOR V2 | | | | | | |
| 27 | 12001860 | 996530072411 | SCREW TSP TORX 10 3,5X14 PLAST.SS | | | | | | |
| 28 | 17000049 | 996530068009 | BLACK COVER MOUNTING PLATE MDS | | | | | | |
| 29 | 142856550 | 996530015064 | BLACK COVER FOR BOILER VAIN P119 | | | | | | |
| 30 | JS01.022 | 996530057357 | SILICONE TUBE 5X10 60SH | IN ROLL | | | | | |
| 31 | 11012810 | 996530006525 | BLACK BREW UNIT 8GR.SBS MYB9 | | | | | | |



EXPRELIA EVO CLASS - TOP



HD8855/01/03/09
HD8857/01/03/09/47



Cod.10004192 - 10004236 - 37
Cod.10004193 - 4238 - 39 - 4388

| POS | CODE | 12NC | DESCRIPTION | NOTE | POS | CODE | 12NC | DESCRIPTION | NOTE |
|-----|--------------|--------------|--|------|-----|------|------|-------------|------|
| 01 | 11002154 | 996530001192 | SBS VALVE P124 ASSY. | | | | | | |
| 02 | 12000550 | 996530007838 | SCREW TCB TORX 10 3X25 PLAST.SS | | | | | | |
| 03 | 11009276 | 996530005372 | BLK COUNTER PISTON TUBE BREW UNIT S0053 | | | | | | |
| 04 | 11001840 | 996530001046 | BLACK COUNTER PISTON BREW UNIT 8GR.P124 | | | | | | |
| 05 | NM01.044 | 996530059406 | OR ORM 0320-40 SILICONE PTFE/FDA | | | | | | |
| 06 | 9161.268 | 996530050709 | PERCOLATOR DE=35,8 ELFO | | | | | | |
| 07 | 20000440 | 996530009825 | BLACK WATER INLET SLEEVE BREW UNIT ASSY. | | | | | | |
| 08 | 9161.064.050 | 996530050488 | BLACK WATER INLET SLEEVE BREW UNIT ROYAL | | | | | | |
| 09 | NM02.007 | 996530059441 | OR 2025 IN TERMOIL | | | | | | |
| 10 | 9161.375.050 | 996530050832 | BLACK BREW UNIT REAR PLATE SMART | | | | | | |
| 11 | 129912521 | 996530013148 | SCREW TCB TORX 10 3,5X14 PLAST.SS | | | | | | |
| 12 | 11001556 | 996530000898 | SS BREW UNIT SPRING H=49 SMART | | | | | | |
| 13 | 9161.094.050 | 996530050539 | BLACK BREW UNIT DRILLED BLOCK | | | | | | |
| 14 | 9161.066.050 | 996530050492 | BLACK BREW UNIT ELBOW SHAFT M5000 | | | | | | |
| 15 | 9161.373.050 | 996530050827 | BLACK BREW UNIT COUPLING PLATE SMART | | | | | | |
| 16 | 149261350 | 996530018241 | BLACK HOPPER DOSER BREW UNIT SMART1 | | | | | | |
| 17 | 12000895 | 996530007951 | SCREW TSP TORX 10 3X10 PLAST.SS | | | | | | |
| 18 | 9161.374.050 | 996530050829 | BLK BREWUNIT HOPPER BLOCKING PLATE SMART | | | | | | |
| 19 | 9161.378 | 996530050838 | SS HOPPER SPRING FOR BREW UNIT SMART | | | | | | |
| 20 | 11004161 | 996530002096 | BLACK SCRAPER FOR BREW UNIT M5000 | | | | | | |
| 21 | 11003077 | 996530001451 | BLK BREW UNIT INTEGRAL PISTON 8GR.ASSY. | | | | | | |
| 22 | 9161.198 | 996530050627 | SS.8GR.BREW UNIT PISTON SPRING | | | | | | |
| 23 | 9161.191 | 996530050618 | WHITE 8GR.-12GR.BREW UNIT PISTON BUSH | | | | | | |
| 24 | 11023086 | 996530007577 | BLK 8GR.BREW UNIT NTEGR.PISTON GEN.ASSY. | | | | | | |
| 25 | 9161.046 | 996530050455 | SS SCRAPER SPRING FOR BREW UNIT | | | | | | |
| 26 | 11003075 | 996530001448 | BLACK COFFEE CONTAINER BREW UNIT P124 | | | | | | |
| 27 | 11003078 | 996530001452 | BLACK CONNECTING ROD BREW UNIT 8GR. | | | | | | |
| 28 | 11005920 | 996530003228 | BLACK BREW UNIT FRONT PLATE S/SCR.SMART | | | | | | |
| 29 | 12000897 | 996530007953 | SCREW TCB TORX 10 3,5X20 PLAST.SS | | | | | | |
| | 11012810 | 996530006525 | BLACK BREW UNIT 8GR.SBS MYB9 | | | | | | |