

HD8758/57 HD8759/47
HD8887/19-HD8888/19
HD8900/01 HD8902/01-HD8904/01



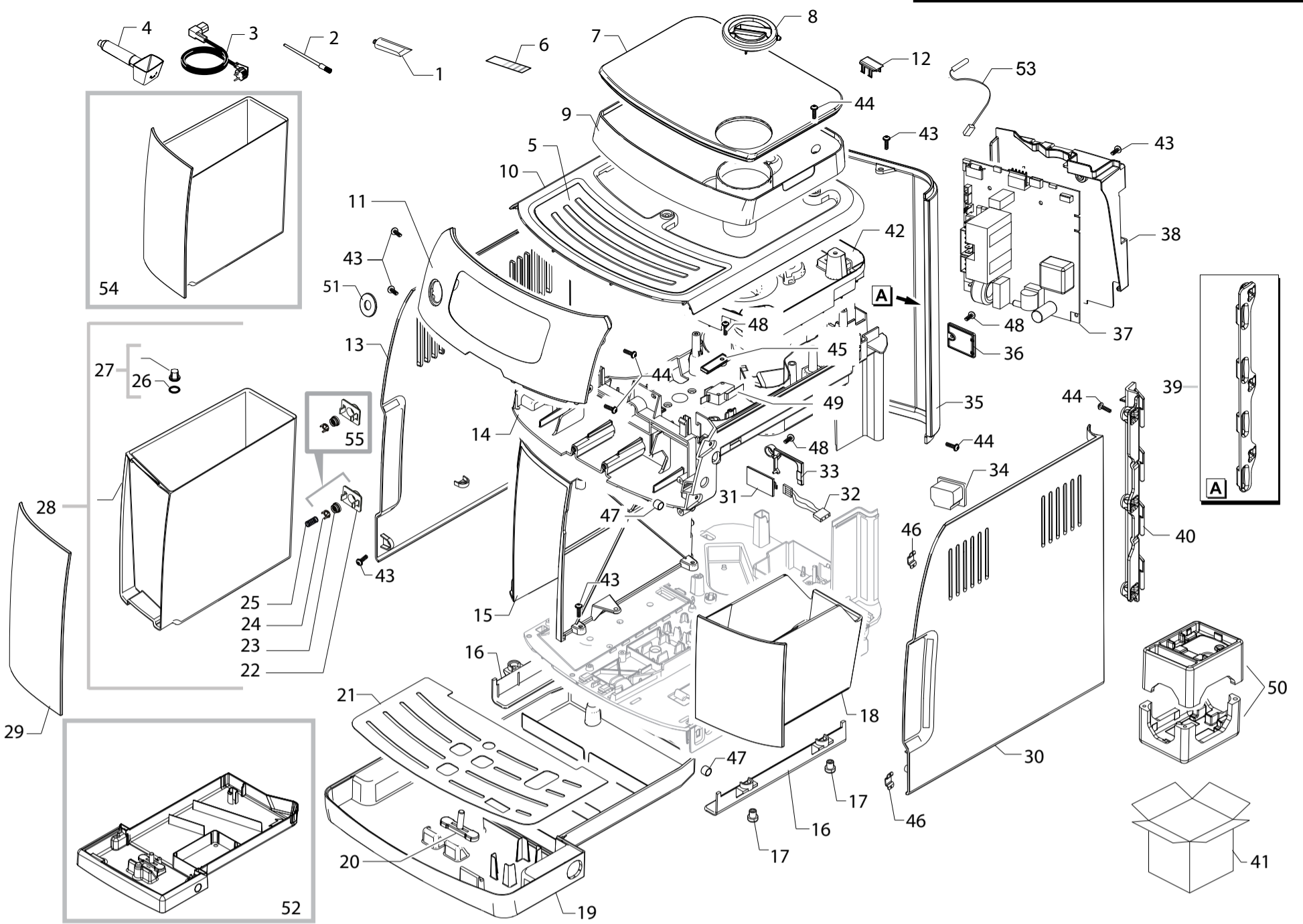
Cod.882875857540-882875947540
Cod.882888719870-882888819870
Cod.882890001010-882890201010-882890401010

| POS | CODE | 12NC | DESCRIPTION | NOTE |
|-----|-----------|--------------|---|-----------|
| 01 | | 421946017941 | KLUBERLUB NH1 11-222 TUBE 5GR. | |
| 02 | 127390100 | 996530011867 | BRUSH FOR CLEANING | |
| 03 | 183911050 | 996530025808 | BLK POWER CABLE SCHUKO L=1200 | |
| | 183921950 | 996530025843 | BLK POWER CABLE SJT3 USA UL L=1200 | |
| 04 | | 421944033301 | BLK ABS COFFEE MEASURE SMART | |
| 05 | | 421944053591 | BA/SS UPPER CASING COVER INS.V2 NPR/H-T NO HD8758/57 HD8900/01 | |
| 06 | 0301.961 | 996530039604 | STICKER FOR WATER HARDNESS TEST | |
| 07 | | 421944063381 | NAT/GR BEAN COFF.CONT.LID V2 NPR/H-T HD8902/01-HD8887/19 | |
| | | 421944057611 | T/GRY BEAN C.CON.LID W/SEAL S/SC.NP5/H-T HD8904/01-HD8888/19 | |
| | | 421944063391 | NAT/GRY BEAN COFF.CONT.LID V2 NPR/H-T AS HD8758/57-HD8759/47 | |
| | | 421944058821 | TR/GRY BEAN C.CONT.LID V2 NP5/P-H-T | HD8900/01 |
| 08 | 11031477 | 996530073487 | TRANSP/GREY GROUND COFFEE HOPPER LID NPR | HD8900/01 |
| | 17001244 | 996530068685 | NAT/GRY GROUND COF.HOPPER LID NPR | HD8900/01 |
| 09 | | 421944053291 | TRANSP/GRY BEAN COFFEE CONTAINER NPR | 230V |
| | | 421944058811 | TRANSP/GRY BEAN COFFEE CONTAINER V2 NPR | 120V |
| | | 421944054041 | NAT/GRY BEAN COFFEE CONTAINER NP5 | HD8900/01 |
| 10 | | 421944054461 | BA/SS-BLK UPPER CASING COVER NP5/H ASSY | |
| | | 421944052991 | BLK UPPER CASING COVER V3 NPR/B-P Only HD8758/57 HD8900/01 | |
| 11 | | 421944053501 | G/BLM FR.PANEL S/SC.SAE INT.EVO2 NPR/H-P HD8902/01-HD8887/19 | |
| | | 421944054671 | SS FRONT PANEL S/SCR.NP5/HM ASSY HD8904/01-HD8888/19-HD8759/47 | |
| | | 421944054921 | BLK FRONT PANEL S/SCR.INTEL.EVO2 NPR/H-P Only HD8758/57 HD8900/01 | |
| 12 | 17001380 | 996530069844 | TRANSP.COVER INFRAREDS ACCESS NPR/T | |
| 13 | 17001299 | 996530068729 | BLACK LEFT SIDE CASING NPR | |
| 14 | 11030130 | 996530072415 | BLK COFFEE GRINDER SUPP.PLATE V2 NPR/H-P | |
| 15 | | 421941282512 | BLK CASING BOTTOM INSERT V2 NPR | |
| 16 | 17001110 | 996530068723 | BLACK DRIP TRAY GUIDE NPR | |
| 17 | | 421324705256 | TRANSPARENT SILICONE FOOT | |
| 18 | | 421944053241 | G/BLM DUMP BOX NPR/H-P HD8902/01-HD8887/19 | |
| | 11028562 | 996530070355 | SS DUMP BOX NPR/HM ASSY. HD8904/01-HD8888/19-HD8759/47 | |

| POS | CODE | 12NC | DESCRIPTION | NOTE |
|-----|-----------|--------------|--|-----------|
| 18 | 11030534 | 996530072525 | MATT/BLACK DUMP BOX NPR/H-P Only HD8758/57 HD8900/01 | |
| 19 | 17001637 | 996530072533 | BLACK DRIP TRAY V2 NPR/H-P | |
| 20 | | 421941304791 | RED/3003 FLOAT FOR DRIP TRAY XSM | |
| 21 | | 421944053231 | SB/SA GRATE FOR DRIP TRAY V2 NPR/H-P | |
| 22 | | 421944040061 | BLK LID FOR WATER CONT.VALVE V2 P0049 FROM S/N. TU901606010610 | |
| 23 | | 421944040781 | BLK GASKET FOR WATER CONT.VALVE V2 P0049 FROM S/N. TU901606010610 | |
| 24 | | 421944040071 | BLK WATER CONT.VALVE INSERT V2 P0049 FROM S/N. TU901606010610 | |
| 25 | 11003672 | 996530001831 | SS SPRING FOR WATER CONTAIN.VALVE P0049 | |
| 26 | 140328461 | 996530013571 | OR ORM 0190-10 EPDM | |
| 27 | 224640200 | 996530029115 | WHITE WATER CONTAINER EXT.FILTER ASSY. | |
| 28 | | 421944053072 | NAT/GRY WATER CONT.LONGFILT V2 NPR ASSY All except HD8758/57 HD8759/47 | |
| | | 421944056301 | NAT/GRY WATER CONTAINER V2 NPR ASSY Only HD8758/57 HD8759/47 | |
| 29 | | 421944053201 | G/BLM WATER TANK FRONT COVER NPR HD8902/01-HD8887/19 | |
| | 11028561 | 996530070361 | SS WATER TANK FRONT COVER NPR/HM ASSY. HD8904/01-HD8888/19-HD8759/47 | |
| | 11030535 | 996530072456 | MATT/BLACK WATER TANK FRONT COVER NPR Only HD8758/57 HD8900/01 | |
| 30 | | 421944040591 | M/BLK RIGHT SIDE DOOR V4 NPR | |
| 31 | | 421941306721 | CPU+SW WATER LEVEL SENSOR V3 ASSY. | |
| 32 | | 421946000081 | 3P.CONN.WATER LEVEL V2 CLP UL ASSY. | |
| 33 | 17001179 | 996530068749 | BLK CAPACIT.SENSOR LOCKING INSERT NPR | |
| 34 | 12001883 | 996530072437 | CUP SOCKET V3 EN 60320 C 13 | |
| 35 | 17001240 | 996530068714 | BLACK REAR CASING NPR | |
| 36 | 17001484 | 996530068728 | BLACK REAR CASING PROGRAM.INSERT NPR | |
| 37 | | 421941308261 | CPR+SW NPR V2/H ASSY. | 230V |
| | | 421941308511 | CPU+SW NPR/H-P V2 USA ASSY. | 120V |
| 38 | | 421944017971 | BLK PWR/CPU BOARD PROTECTION V2 P0057 | 230V |
| | | 421944050551 | GRY PWR/CPU BOARD PROTECTION V2 P0057/UL | 120V |
| 39 | | 421944022751 | BLK HINGE FOR REAR CASING XSM. | |
| 40 | | 421944022731 | BLK HINGE FOR DOOR RIGHT SIDE XSM | |
| 41 | | 421946027281 | DISPL.BOX NP5/P-H SAE INTEL.EVO2 | |
| | | 421946031261 | DISPL.BOX NP5/P SAE INTELIA EVO2 USA | HD8758/57 |
| | | 421946031271 | DISPL.BOX NP5/H SAE INTELIA EVO2 USA | HD8759/47 |



INTELIA EVO2 AMF-CMF
INTELIA CLASS EVO2 - INTELIA FOCUS EVO2



HD8758/57 HD8759/47
HD8887/19-HD8888/19
HD8900/01 HD8902/01-HD8904/01

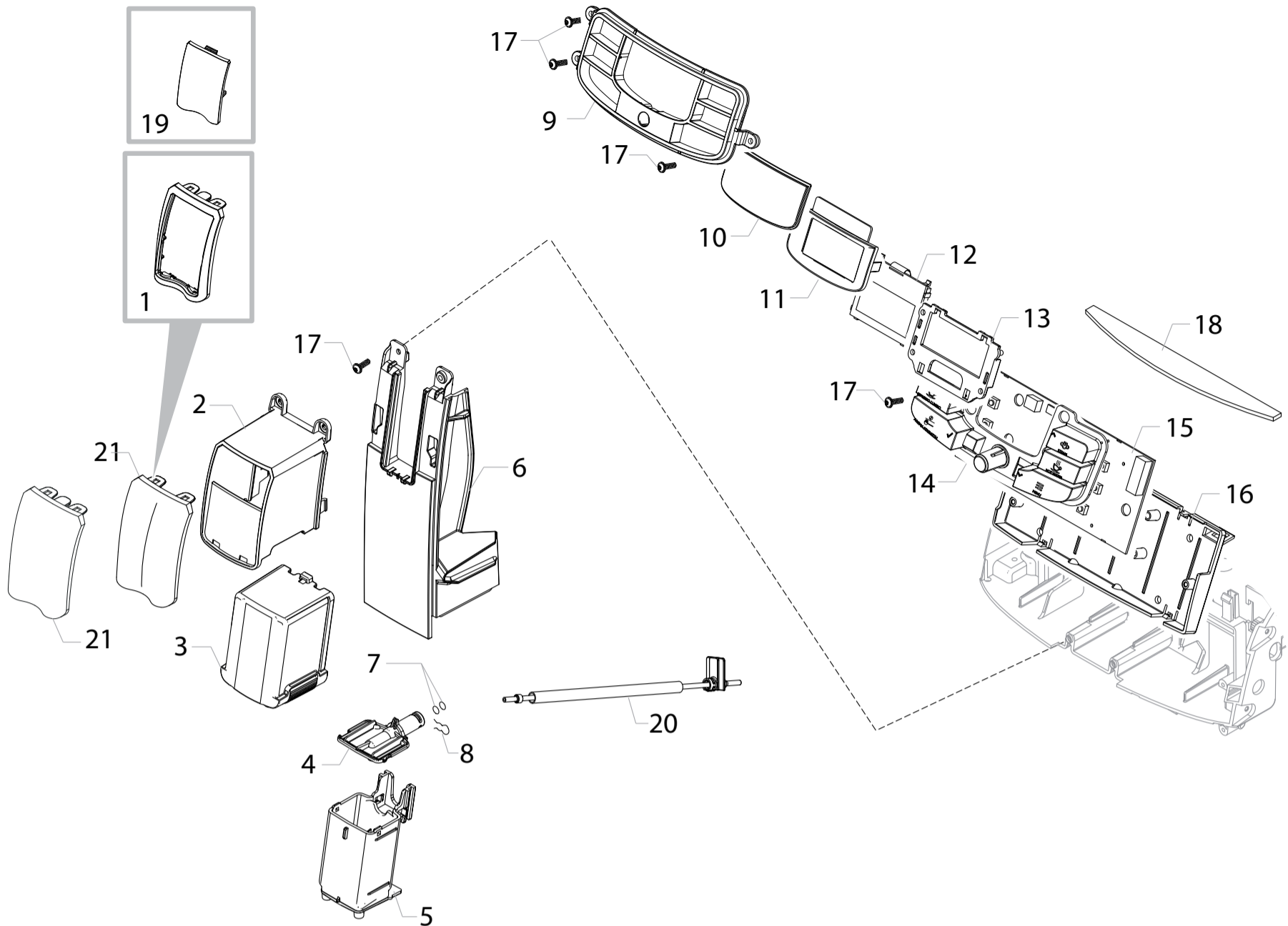


Cod.882875857540-882875947540
Cod.882888719870-882888819870
Cod.882890001010-882890201010-882890401010

| POS | CODE | 12NC | DESCRIPTION | NOTE | POS | CODE | 12NC | DESCRIPTION | NOTE |
|-----|-----------|--------------|--|-----------|-----|------|------|-------------|------|
| 42 | | 421944058831 | BLK COF.GRINDER SOUNDPROOFING COV.V3 NPR | | | | | | |
| 43 | 12000450 | 996530007819 | SCREW TCBR TORX 10 3,5X12 PLAST.ZN-N | | | | | | |
| 44 | | 421944016761 | SCREW TCBR TORX 10 3,5X12 PLAST.ZN-NI | | | | | | |
| 45 | 17000064 | 996530067437 | BLK CAPACIT.SENSOR DEADLOCK INSERT XSM | | | | | | |
| 46 | 11013220 | 996530069857 | STEEL PLATE FOR DOOR MAGNET XSM | | | | | | |
| 47 | 9161.111 | 996530050555 | MAGNET FOR FLOAT SUPERAUT. | | | | | | |
| 48 | 129913202 | 996530013156 | SCREW TCB TORX 10 3X8 PLAST.ZN-B | | | | | | |
| 49 | 12001890 | 996530073209 | MICROSWITCH XG/V3D | | | | | | |
| 50 | 20007020 | 996530068711 | KIT PS-E INSERT FOR BOX NPR/H-P | | | | | | |
| 51 | 11030533 | 996530072903 | MATT/BLACK FRONT PANEL CAP NPR/H-P | | | | | | |
| 52 | | 421941308921 | KIT SPARES BLK DRIP TRAY V3 NPR/T | | | | | | |
| 53 | 17800662 | 996530073867 | 2P.CONN.SENSOR REED DOOR V2 MYB9 UL ASSY | 120V | | | | | |
| 54 | | 421944053041 | G/BLM-NAT/GRY WATER GEN.CONTAIN.NPR ASSY | | | | | | |
| | | | HD8902/01-HD8887/19 | | | | | | |
| | | 421944054391 | SS-NAT/GRY WATER GEN.CONTAIN.NP5/HM ASSY | | | | | | |
| | | | HD8904/01-HD8888/19 | | | | | | |
| | 11030620 | 996530074271 | M/BLK-NAT/GRY WATER GEN.CONTAIN.NPR ASSY | HD8758/57 | | | | | |
| | 11028564 | 996530074269 | SS-NAT/GRY WATER GEN.CONTAIN.NPR/HM ASSY | HD8759/47 | | | | | |
| | | 421944054941 | M/BLK-NAT/GRY WATER GEN.CONT.LF NPR ASSY | HD8900/01 | | | | | |
| 55 | | 421941308821 | KIT SP.COMPONENTS WATER CONTAINERS ASSY | | | | | | |
| | | | UP TO S/N. TU901606010609 | | | | | | |



INTELIA EVO2 AMF-CMF
INTELIA CLASS EVO2 - INTELIA FOCUS EVO2



HD8758/57 HD8759/47
HD8887/19-HD8888/19
HD8900/01 HD8902/01-HD8904/01

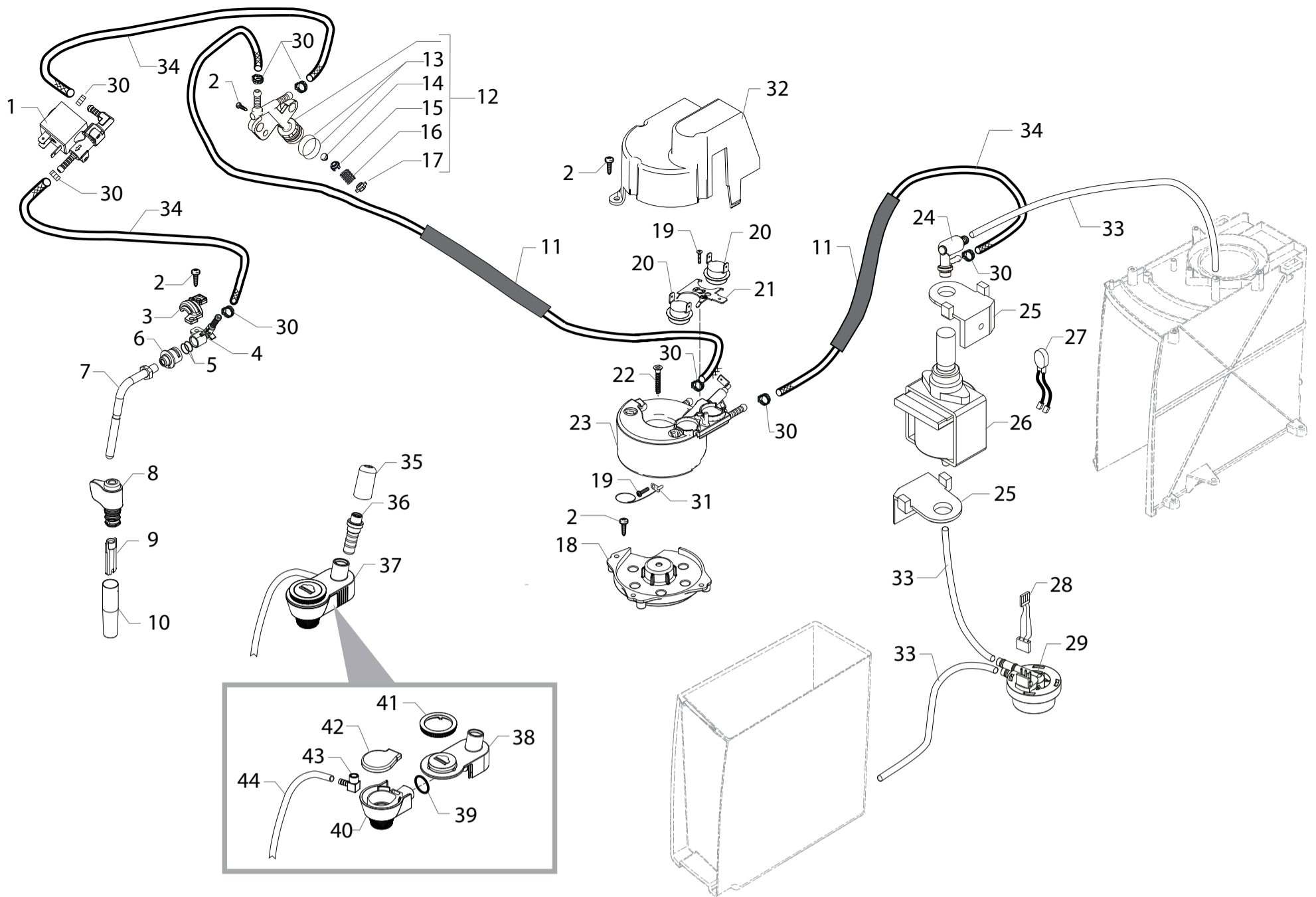


Cod.882875857540-882875947540
Cod.882888719870-882888819870
Cod.882890001010-882890201010-882890401010

| POS | CODE | 12NC | DESCRIPTION | NOTE | POS | CODE | 12NC | DESCRIPTION | NOTE |
|-----|-----------|--------------|--|------|-----|------|------|-------------|------|
| 01 | 11029779 | 996530072482 | CHROM.COFF.DISPEN.FRONT PLATE V2 NPR/H-T HD8902/01-HD8887/19 | | | | | | |
| 02 | 11030531 | 996530072512 | M/BLK COFFEE DISPENSER LID NPR | | | | | | |
| 03 | 17001242 | 996530068698 | BLACK COFFEE DISPENSER MOBILE PART NPR | | | | | | |
| 04 | 17001246 | 996530068742 | BLACK COFFEE DISPENSER BODY LID NPR | | | | | | |
| 05 | 17001894 | 996530071881 | BLACK COFFEE DISPENSER BODY V2 NPR | | | | | | |
| 06 | | 421944053191 | G/BLM FRONT CASING COVER V2 NPR HD8902/01-HD8887/19 | | | | | | |
| | 11028558 | 996530070368 | SS FRONT CASING COVER NPR/HM ASSY. HD8904/01-HD8888/19-HD8759/47 | | | | | | |
| | 11030536 | 996530072527 | MATT/BLACK FRONT CASING COVER V2 NPR HD8758/57 HD8900/01 | | | | | | |
| 07 | 140328059 | 996530013564 | OR 2015 SILICONE PTFE/FDA | | | | | | |
| 08 | 9011.144 | 996530048885 | SS FORK FOR TUBE D=4 | | | | | | |
| 09 | | 421944053461 | CHR TOUCH 7BUTT.PANEL FRAME NPR/H-P | | | | | | |
| | | 421944056831 | GCAS 7BUTT.TOUCH PANEL FRAME NP5/H-P HD8758/57 HD8900/01 | | | | | | |
| 10 | 17001112 | 996530068675 | TRANSP.GLASS FOR DISPLAY NPR | | | | | | |
| 11 | 17001111 | 996530068673 | BLACK DISPLAY FRAME NPR | | | | | | |
| 12 | | 421941307861 | DISPLAY HIGO FL | | | | | | |
| 13 | 17001100 | 996530068682 | BLACK DISPLAY SUPPORT NPR | | | | | | |
| 14 | | 421944053441 | BLK 7BUTTONS TOUCH PANEL S/SCR.NP5/P HD8902/01-HD8887/19-HD8758/57 | | | | | | |
| | | 421944054071 | BLK 7BUTTONS TOUCH PANEL S/SCR.NP5/H HD8904/01-HD8888/19-HD8759/47 | | | | | | |
| 15 | | 421941308161 | KEYBOARD NPR V2/T | | | | | | |
| | | 421941308201 | KEYB NPR/H 120V USA | | | | | | |
| 16 | 11030078 | 996530071879 | BLACK DISPLAY KEYBOARD SUPPORT V2 NPR | | | | | | |
| 17 | 12000450 | 996530007819 | SCREW TCBR TORX 10 3,5X12 PLAST.ZN-N | | | | | | |
| 18 | 17001379 | 996530069814 | BLACK ADHESIVE AERSTOP NPR | | | | | | |
| 19 | | 421944053031 | G/BLM COFF.DISP.FRONT INSERT NP5/H-T HD8902/01-HD8887/19 | | | | | | |
| 20 | 11031203 | 996530073357 | TEFL.TUBE 2X4 L=235+PLATE+2BUSH NPR ASSY | | | | | | |
| 21 | 11028589 | 996530070369 | SS COF.DISPENS.FRONT PLATE NPR/HT-TM ASS HD8904/01-HD8888/19-HD8759/47 | | | | | | |
| | 11030537 | 996530072797 | M/BLK COF.DISPENSER FRONT PLATE NPR/T HD8758/57 HD8900/01 | | | | | | |



INTELIA EVO2 AMF-CMF
INTELIA CLASS EVO2 - INTELIA FOCUS EVO2



HD8758/57 HD8759/47
HD8887/19-HD8888/19
HD8900/01 HD8902/01-HD8904/01



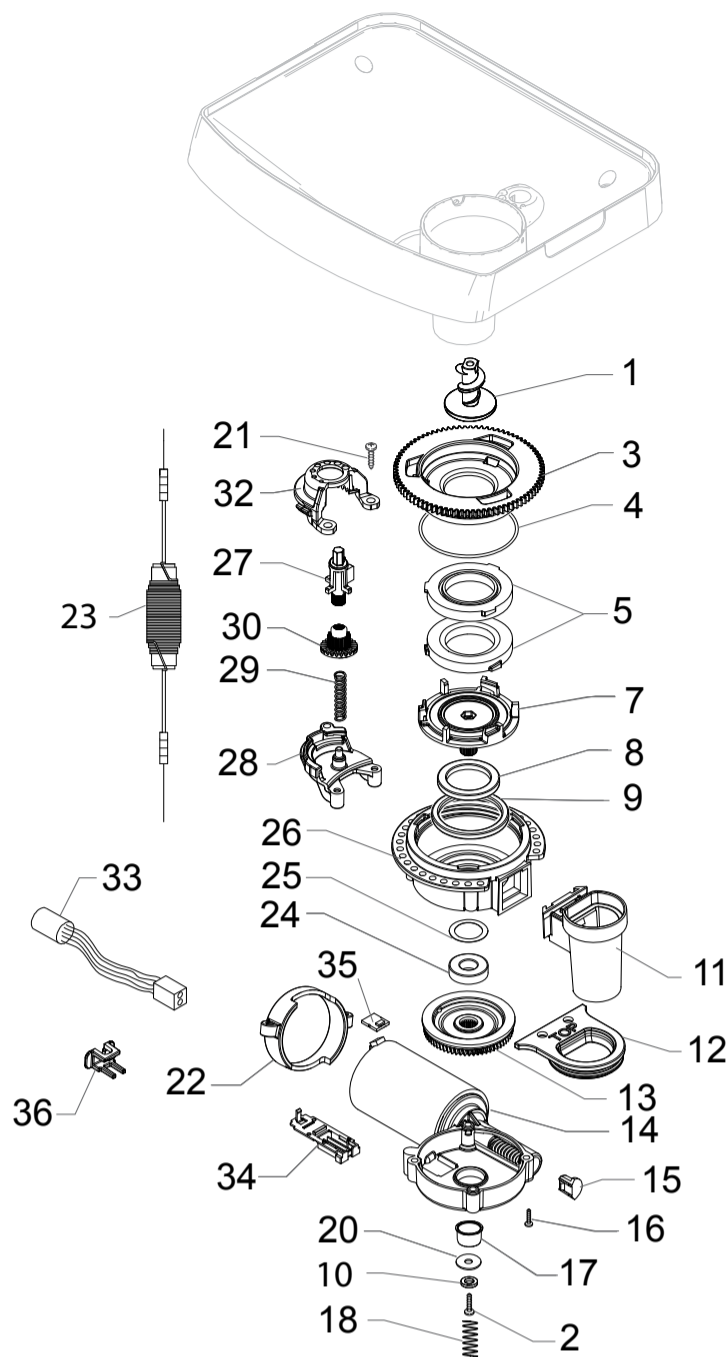
Cod.882875857540-882875947540
Cod.882888719870-882888819870
Cod.882890001010-882890201010-882890401010

| POS | CODE | 12NC | DESCRIPTION | NOTE |
|-----|-----------|--------------|--|------------|
| 01 | | 421944026251 | 2WAY SOLENOID VALVE V2 NPR/H-P 24V ASSY. | |
| 02 | 12000450 | 996530007819 | SCREW TCBR TORX 10 3,5X12 PLAST.ZN-N | |
| 03 | 11013894 | 996530006914 | BLK FORK FOR STEAM TUBE GXSM | |
| 04 | 11005757 | 996530003103 | STEAM TUBE SUPPORT P0057 | 230V |
| | | 421944028161 | STEAM TUBE SUPPORT PPS P0057 | 120V |
| 05 | 140324461 | 996530013509 | OR ORM 0060-20 NBR FDA | |
| 06 | 11011127 | 996530005979 | BLK PA6 BUSH FOR STEAM TUBE P0057 | |
| 07 | 11027861 | | TF/CHROM.STEAM TUBE D=5,4 NPR ASSY. | |
| 08 | | 421941300671 | BLK/SIL.STEAM TUBE HANDGRIP G0053 | |
| | | | HD8902/01-HD8887/19-HD8758/57 | |
| 09 | 11001620 | 996530000925 | BLACK PANNARELLO INTERNAL TUBE P0049 | |
| | | | HD8902/01-HD8887/19-HD8758/57 | |
| 10 | 11001621 | 996530000926 | STAINLESS STEEL PANNARELLO COVER P0049 | |
| | | | HD8902/01-HD8887/19 | |
| | 11001769 | 996530001012 | BLACK PANNARELLO COVER P0049 | |
| | | | HD8758/57 HD8900/01 | |
| 11 | 16000540 | 996530009523 | TRANSPAR. 10,5X12,3 SILICONE TUBE | IN ROLL |
| 12 | 17000114 | 996530068077 | FLOW SELECTOR FAUCET NPR | |
| 13 | 12000893 | 996530007948 | OR ORM 0120-20 BLACK EPDM | |
| 14 | 11008104 | 996530004722 | MUSHROOM VALVE FOR FLOW SELECTOR P0057 | |
| 15 | 11008105 | 996530004723 | FLOW SELECTOR VALVE SUPPORT P0057 | |
| 16 | 11008077 | 996530004709 | STEEL FLOW SELECTOR VALVE SPRING P0057 | |
| 17 | 11008106 | 996530004724 | FLOW SELECTOR VALVE CAP P0057 | |
| 18 | | 421941215942 | BLK SLIM/EXSL TUB.BOILER SUPPORT V2 | |
| 19 | 12001715 | 996530069758 | SCREW TCB TORX 20 M4X8 AUTOFORMING ZN-B | |
| 20 | 12001033 | 996530007973 | THERMOSTAT ONE SHOT 190° | |
| 21 | 11001751 | 996530000997 | TUB.BOILER V3 UPPER THERM.FIXING SPRING | |
| 22 | 12001280 | 996530008024 | SCREW TSP TORX 10 5X20 PLAST.ZN-B | |
| 23 | | 421944028841 | TUB.BOILER XS4 ASSY. | 230V-1900W |
| | | 421944046121 | TUB.BOILER XS4 ASSY. | 120V-1300W |
| 24 | 11024863 | 996530068178 | L-F/BR.SAFETY VALVE 16-18 BAR ASSY. | |
| 25 | 149205850 | 996530018056 | BLACK TYPE ULKA PUMP W/BEVEL SUPPORT | |
| 26 | | 421941305991 | ULKA PUMP EP5FMGW | 230V-50HZ |
| | 12000142 | 996530007754 | ULKA PUMP EAP5/S | 120V-60HZ |
| 27 | | 421946000131 | 2P.CONN.PUMP V2 CLP UL ASSY. | |
| 28 | | 421946000141 | 3P.CONN.FLOWMETER V2 CLP UL ASSY. | |
| 29 | NV99.099 | 996530059843 | TURBINE D=1,2 932-8521/00 ASSY. | |

| POS | CODE | 12NC | DESCRIPTION | NOTE |
|-----|-----------|--------------|--|------------------|
| 30 | 12000892 | 996530007947 | OETIKER CLAMP D=9,5 16700004 | |
| 31 | 190800100 | 996530026997 | TEMPERATURE SENSOR NTC UL L=280MM | |
| 32 | | 421941284802 | GRY BOILER INSULATING COVER NPR | |
| 33 | JS01.022 | 996530057357 | SILICONE TUBE 5X10 60SH | IN ROLL |
| 34 | 16000380 | 996530009505 | 5X8,9 SILICONE TUBE | IN ROLL |
| 35 | | 421944031451 | CHROMED STEAM TUBE INSERT COVER SMR/H | |
| | | | HD8904/01-HD8888/19-HD8759/47 | |
| 36 | | 421941301143 | BLK STEAM TUBE INSERT V3 SMR/H | |
| | | | HD8904/01-HD8888/19 | |
| | | 421941301142 | BLK STEAM TUBE INSERT V2 SMR/H | HD8759/47 |
| 37 | | 421944023801 | BLK CAPPUC.V3 SMR/H ASSY. | |
| | | | HD8904/01-HD8888/19-HD8759/47 | |
| 38 | | 421944023812 | BLK CAPPUC.CASING COVER V5 SMR/H ASSY. | |
| | | | HD8904/01-HD8888/19-HD8759/47 | |
| 39 | NM01.028 | 996530059392 | O-RING 106 RED SILICONE | |
| | | | HD8904/01-HD8888/19-HD8759/47 | |
| 40 | | 421944022461 | BLK CAPPUC.CASING V3 SMR/H | |
| | | | HD8904/01-HD8888/19-HD8759/47 | |
| 41 | | 421941301121 | BLK CAPPUC.CASING COVER RING SMR/H | |
| | | | HD8904/01-HD8888/19-HD8759/47 | |
| 42 | | 421941301131 | BLK CAPPUC.CASING SEAL SMR/H | |
| | | | HD8904/01-HD8888/19-HD8759/47 | |
| 43 | 147922350 | 996530017377 | BLK CONNECTOR 90° FOR SPHERIC.CAPPUC | |
| | | | HD8904/01-HD8888/19-HD8759/47 | |
| 44 | 9972.045 | 996530051237 | SILICONE TUBE 3,5X6 L=350 MM DS | |
| | | | HD8904/01-HD8888/19-HD8759/47 | |
| | | 421944056011 | GEN.TUB.BOILER NP5 1900W 230V ASSY | COMPLETE |
| | | | WITH PART N°19-20-21-23-31 | |
| | | 421944058671 | GEN.TUB.BOILER NP5 1300W 120V ASSY | COMPLETE |
| | | | WITH PART N°19-20-21-23-31 | |



INTELIA EVO2 AMF-CMF
INTELIA CLASS EVO2 - INTELIA FOCUS EVO2



HD8758/57 HD8759/47
HD8887/19-HD8888/19
HD8900/01 HD8902/01-HD8904/01

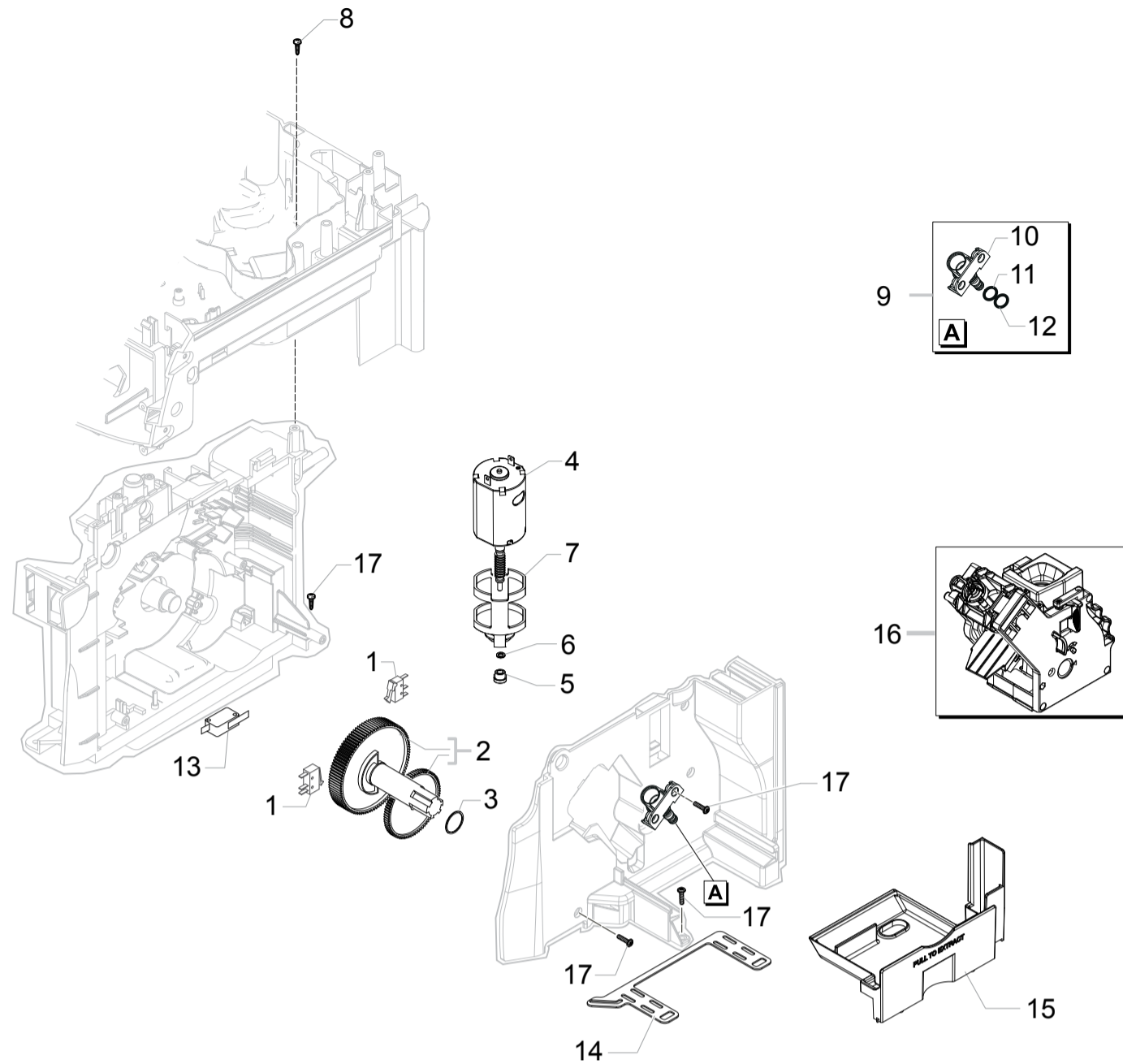


Cod.882875857540-882875947540
Cod.882888719870-882888819870
Cod.882890001010-882890201010-882890401010

| POS | CODE | 12NC | DESCRIPTION | NOTE | POS | CODE | 12NC | DESCRIPTION | NOTE |
|-----|-----------|--------------|--|------|-----|----------|--------------|---|------|
| 01 | 11010031 | 996530005586 | TEA/ZAMA INCREASE SCREW GRINDER | | 36 | 17001921 | 996530072477 | BLK WIRING FIX INSERT FOR GRINDER BOARD | 120V |
| 02 | 129574802 | 996530012928 | SCREW TCB TORX 20 M4X30 ZN-B | | | | | | |
| 03 | | 421941094152 | BLK COF.GRINDER UPPER GRINDER SUPPORT V2 | | | | 421944054091 | GEN.MOTOR COF.GRINDER NP5 ASSY. | 230V |
| 04 | 140328960 | 996530013577 | OR ORM 0530-15 NBR FDA | | | | 421944058761 | GEN.MOTOR COF.GRINDER NP5 ASSY | 120V |
| 05 | 146520100 | 996530016342 | BAKED CLAY GRINDER 48X28 | | | | | | |
| 06 | 11012466 | 996530006412 | BRASS BUSH BEAN CONT.FINGER PROTEC.P0057 | 230V | | | | | |
| 07 | 149198350 | 996530017952 | BLK LOWER COFFEEGRINDER GRINDER SUPPORT | | | | | | |
| 08 | 123030300 | 996530011183 | AXIAL BEARING EKKO 342.35252 | | | | | | |
| 09 | 140360500 | 996530013597 | FELT RING 45,4X39,4X4 | | | | | | |
| 10 | 128310402 | 996530012341 | GALV.WASHER UNI 8842 A4 | | | | | | |
| 11 | 11026355 | 996530068049 | BLK GROUND COFF.OUTLET CONVEYOR V4 ASSY. | | | | | | |
| 12 | | 421944060561 | GRY GROUND COF.CONT.LOWER SEAL V2 SMART1 | | | | | | |
| 13 | 226000300 | 996530029609 | GEAR SX Z=38 FOR GRINDER MOTION ASSY. | | | | | | |
| 14 | | 421944049151 | MOTOR COFFEEGRINDER V3.2 ASSY. | 230V | | | | | |
| | | 421941305001 | MOTOR COFFEEGRINDER V3.1 ASSY. | 120V | | | | | |
| 15 | 149214800 | 996530018139 | MC V3 MOD=1,25 WORM SCREW CENTRING CAP | | | | | | |
| 16 | 129661702 | 996530012992 | SCREW TCB TORX 3,5X30 PLAST.ZN-B | | | | | | |
| 17 | 11002873 | 996530001389 | INSULATOR BUSH FOR GRINDER MOTOR P124 | | | | | | |
| 18 | 11000597 | 996530000376 | COFFEE GRINDER SUPPORT SPRING P124 | | | | | | |
| 19 | 11014285 | 996530007058 | BLK V2 BEAN CONTAIN.FINGER PROTECT.P0057 | 230V | | | | | |
| 20 | 128381902 | 996530012375 | STEEL FLAT WASHER DI=4,3 DE=14 SP=1,5 | | | | | | |
| 21 | | 421944016761 | SCREW TCB TORX 10 3,5X12 PLAST.ZN-NI | | | | | | |
| 22 | 11000194 | 996530000115 | BLACK COFFEEGRINDER MOTOR SUPPORT P124 | | | | | | |
| 23 | | 421946031681 | 2P.CONN.COF.GRINDER MOTOR NP5 UL ASSY | 230V | | | | | |
| | | 421946000121 | 2P.CONN.COF.GRINDER MOTOR V2 NPR UL ASSY | 120V | | | | | |
| 24 | 123030200 | 996530011182 | RADIAL BEARING 61900.2RS1 | | | | | | |
| 25 | 128381800 | 996530012374 | STEEL CRINKLE WASHER 21,8X14X0,25 | | | | | | |
| 26 | 142905450 | 996530015258 | BLK UPPER BODY WITH COFFEE GROUND OUTLET | | | | | | |
| 27 | | 421944025161 | YLW BEAN COFFEE GRINDER INSERT SMR | | | | | | |
| 28 | 11002613 | 996530001314 | LOWER COFFEEGRINDER GEAR SUPPORT P124 | | | | | | |
| 29 | 11002572 | 996530001308 | COFFEEGRINDER REGULATION SPRING P124 | | | | | | |
| 30 | 11003784 | 996530001907 | COFFEE GRINDING ADJUSTMENT GEAR P0049 | | | | | | |
| 31 | U043.004 | 996530061808 | ZN-B TCB SCREW M4X16 | 230V | | | | | |
| 32 | 11002508 | 996530001296 | UPPER COFFEEGRINDER GEAR SUPPORT P124 | | | | | | |
| 33 | | 421946000091 | 3P.CONN.MC SENSOR V2 NPR UL ASSY. | 120V | | | | | |
| 34 | 149199050 | 996530017963 | BLK SENSOR SUPPORT FOR COF.GRINDER MOTOR | 120V | | | | | |
| 35 | 181540900 | 996530022784 | ELECTR.BOARD WITH SENSOR HAL506 SF-K | 120V | | | | | |



INTELIA EVO2 AMF-CMF
INTELIA CLASS EVO2 - INTELIA FOCUS EVO2

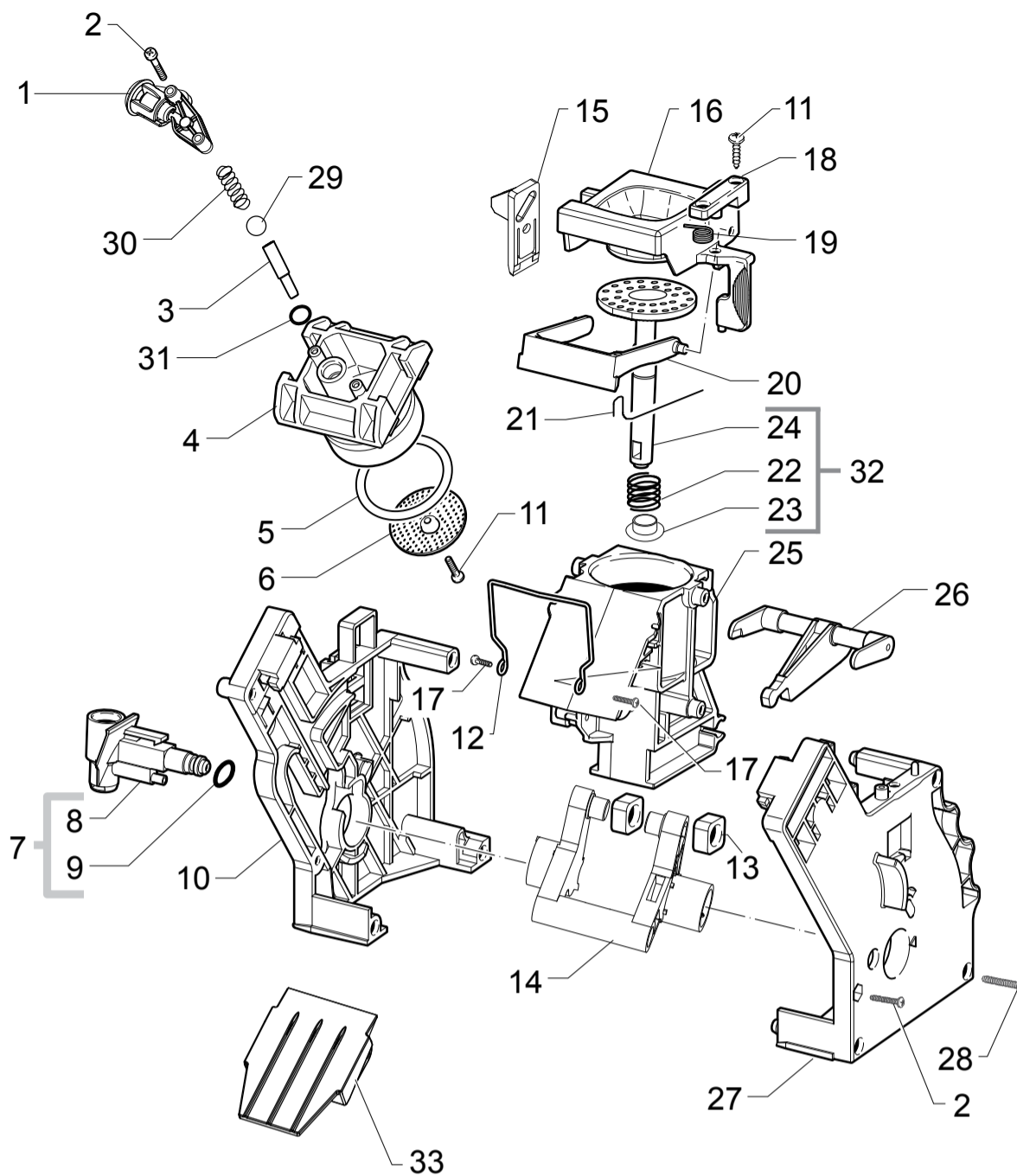


HD8758/57 HD8759/47
 HD8887/19-HD8888/19
 HD8900/01 HD8902/01-HD8904/01



Cod.882875857540-882875947540
 Cod.882888719870-882888819870
 Cod.882890001010-882890201010-882890401010

| POS | CODE | 12NC | DESCRIPTION | NOTE | POS | CODE | 12NC | DESCRIPTION | NOTE |
|-----|-----------|--------------|--|------|-----|------|------|-------------|------|
| 01 | | 421946025541 | MICROSWITCH XC/SM1 V2 | | | | | | |
| 02 | 20000900 | 996530009913 | SPARES KIT GEARS FOR RATIOMOTOR V2 | | | | | | |
| 03 | 9161.132 | 996530050569 | MYLAR WASHER FOR RATIOMOTOR | | | | | | |
| 04 | 11005214 | 996530002796 | MOTOR FOR RATIOMOTOR P124 ASSY. | | | | | | |
| 05 | 9121.046 | 996530049898 | BRONZE SINTERED BUSH FOR MOTOR RATIOMOT. | | | | | | |
| 06 | 148380200 | 996530017424 | BAKELIZZATE WASHER D=5,5 | | | | | | |
| 07 | 9121.044 | 996530049896 | ANTIVIBRATION FOR MOTOR | | | | | | |
| 08 | 12000450 | 996530007819 | SCREW TCBR TORX 10 3,5X12 PLAST.ZN-N | | | | | | |
| 09 | | 421944060181 | PIN FOR FLOW SEL.FAUCET V2 PPS P0057 AS | | | | | | |
| 10 | | 421944059371 | PIN FOR FLOW SELECT.FAUCET PPS V2 P0057 | | | | | | |
| 11 | NM01.035 | 996530059399 | OR ORM 0090-20 SILICONE | | | | | | |
| 12 | NM01.057 | 996530059419 | OR ORM 0050-20 IN SILICONE | | | | | | |
| 13 | 12001890 | 996530073209 | MICROSWITCH XG/V3D | | | | | | |
| 14 | 17000685 | 996530072515 | BLACK SEAL FOR RATIOMOTOR PLATE NPR | | | | | | |
| 15 | 17001336 | 996530068732 | GREY BREW UNIT DRAWER COFFEE NPR | | | | | | |
| 16 | | 421944053951 | BLK BREW UNIT 8GR.5BAR V4 HGO | | | | | | |
| 17 | | 421944016761 | SCREW TCBR TORX 10 3,5X12 PLAST.ZN-NI | | | | | | |



HD8758/57 HD8759/47
 HD8887/19-HD8888/19
 HD8900/01 HD8902/01-HD8904/01



Cod.882875857540-882875947540
 Cod.882888719870-882888819870
 Cod.882890001010-882890201010-882890401010

| POS | CODE | 12NC | DESCRIPTION | NOTE | POS | CODE | 12NC | DESCRIPTION | NOTE |
|-----|--------------|--------------|--|------|-----|------|------|-------------|------|
| 01 | | 421944065221 | BLK BREW UNIT COF.OUTLET SLEEVE SMR ASSY | | | | | | |
| 02 | 12000550 | 996530007838 | SCREW TCB TORX 10 3X25 PLAST.SS | | | | | | |
| 03 | 11009276 | 996530005372 | BLK COUNTER PISTON TUBE BREW UNIT S0053 | | | | | | |
| 04 | 11001840 | 996530001046 | BLACK COUNTER PISTON BREW UNIT 8GR.P124 | | | | | | |
| 05 | NM01.044 | 996530059406 | OR ORM 0320-40 SILICONE PTFE/FDA | | | | | | |
| 06 | 9161.268 | 996530050709 | PERCOLATOR DE=35,8 ELFO | | | | | | |
| 07 | 20000440 | 996530009825 | BLACK WATER INLET SLEEVE BREW UNIT ASSY. | | | | | | |
| 08 | 9161.064.050 | 996530050488 | BLACK WATER INLET SLEEVE BREW UNIT ROYAL | | | | | | |
| 09 | NM02.007 | 996530059441 | OR 2025 IN TERMOIL | | | | | | |
| 10 | 9161.375.050 | 996530050832 | BLACK BREW UNIT REAR PLATE SMART | | | | | | |
| 11 | 12000895 | 996530007951 | SCREW TSP TORX 10 3X10 PLAST.SS | | | | | | |
| 12 | 11001556 | 996530000898 | SS BREW UNIT SPRING H=49 SMART | | | | | | |
| 13 | 9161.094.050 | 996530050539 | BLACK BREW UNIT DRILLED BLOCK | | | | | | |
| 14 | | 421944051231 | YLW BREW UNIT ELBOW SHAFT M5000 | | | | | | |
| 15 | | 421944046931 | YLW BREW UNIT COUPLING PLATE V2 SMART | | | | | | |
| 16 | 149261350 | 996530018241 | BLACK HOPPER DOSER BREW UNIT SMART1 | | | | | | |
| 17 | 129912521 | 996530013148 | SCREW TCB TORX 10 3,5X14 PLAST.SS | | | | | | |
| 18 | | 421944050711 | YLW BREWUNIT HOPPER BLOCKING PLATE SMART | | | | | | |
| 19 | 9161.378 | 996530050838 | SS HOPPER SPRING FOR BREW UNIT SMART | | | | | | |
| 20 | 11004161 | 996530002096 | BLACK SCRAPER FOR BREW UNIT M5000 | | | | | | |
| 21 | 9161.046 | 996530050455 | SS SCRAPER SPRING FOR BREW UNIT | | | | | | |
| 22 | 9161.198 | 996530050627 | SS.8GR.BREW UNIT PISTON SPRING | | | | | | |
| 23 | 9161.191 | 996530050618 | WHITE 8GR.-12GR.BREW UNIT PISTON BUSH | | | | | | |
| 24 | | 421944025621 | BLK BREW UNIT INTEGR.PISTON 8GR.V3 ASSY. | | | | | | |
| 25 | | 421944014611 | BLK COF.CONTAIN.BREW UNIT V2 M5000 ASSY. | | | | | | |
| 26 | 11003078 | 996530001452 | BLACK CONNECTING ROD BREW UNIT 8GR. | | | | | | |
| 27 | 11005920 | 996530003228 | BLACK BREW UNIT FRONT PLATE S/SCR.SMART | | | | | | |
| 28 | 12000897 | 996530007953 | SCREW TCB TORX 10 3,5X20 PLAST.SS | | | | | | |
| 29 | | 421944034451 | BOROSILICATE SPHERE D.5 MM | | | | | | |
| 30 | 11012095 | 996530006305 | SS COFFEE UNIT CONTERPISTON SPRING S0053 | | | | | | |
| 31 | 140328761 | 996530013575 | OR ORM 0060-15 TERMOIL | | | | | | |
| 32 | | 421944029791 | BLK BREW UNIT 8GR.INT.PISTON GEN.V3 ASSY | | | | | | |
| 33 | 17000663 | 996530073322 | BLK BREW UNIT CONVEYOR SLIDE L=76,8 | | | | | | |
| | | 421944053951 | BLK BREW UNIT 8GR.5BAR V4 HGO | | | | | | |



INTELIA EVO2 AMF-CMF
 INTELIA CLASS EVO2 - INTELIA FOCUS EVO2