

HD8916/01-09-19
 HD8917/01-09
 HD8918/09-21-41
 HD8919/51-55-59

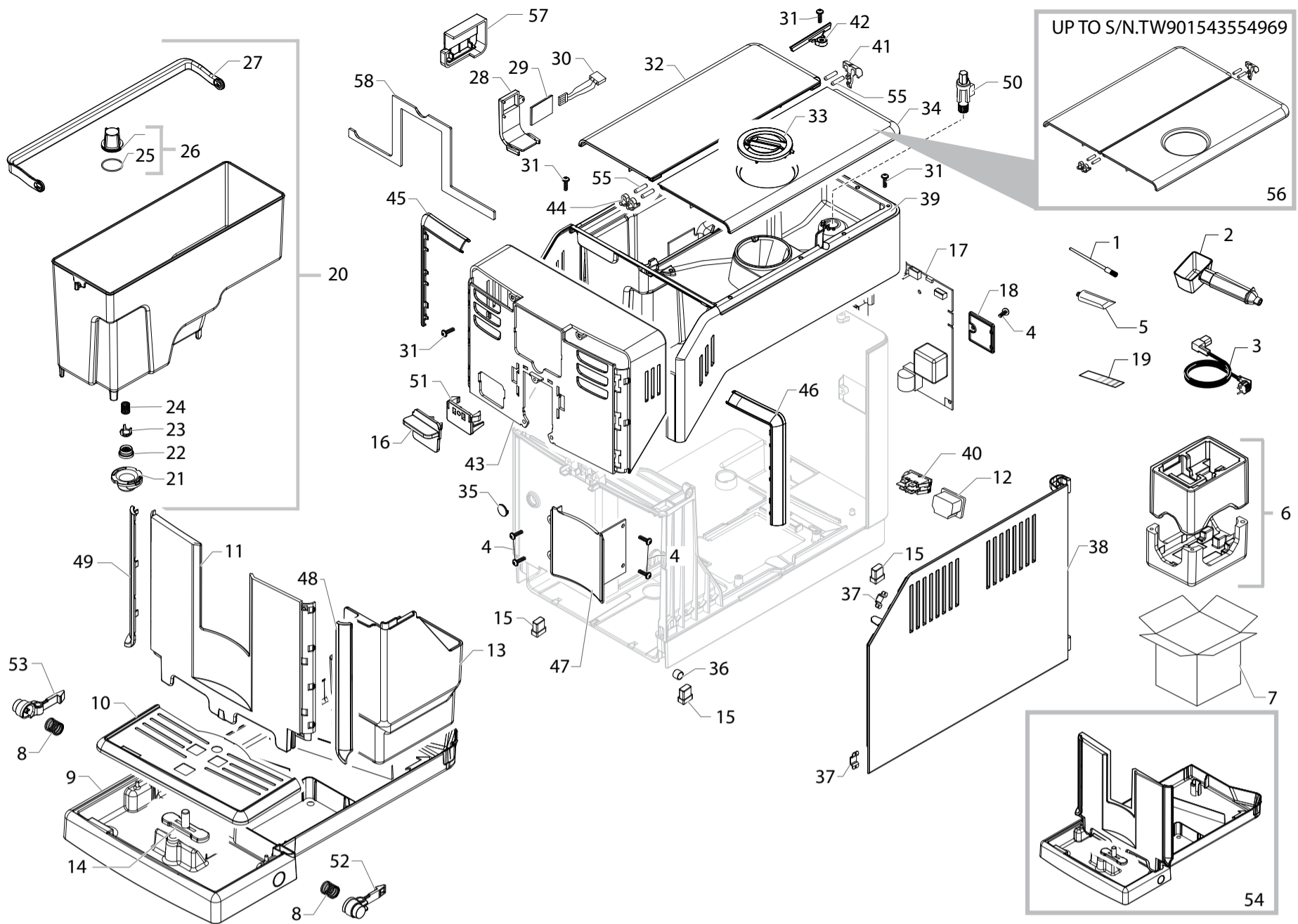


Cod.882891601010 - 609300 - 619870
 Cod.882891701010 - 709300
 Cod.882891809870 - 821010 - 841220
 Cod.882891951010 - 955220 - 959300

POS	CODE	12NC	DESCRIPTION	NOTE	POS	CODE	12NC	DESCRIPTION	NOTE
01	127390100	996530011867	BRUSH FOR CLEANING		31	12001728	996530070321	SCREW TCBR TORX 10 3,5X12 PLAST.SS	
02		421944033301	BLK ABS COFFEE MEASURE SMART		32		421944043732	SS WATER CONTAINER LID V2 SMRG ASSY	
03	183911050	996530025808	BLK POWER CABLE SCHUKO L=1200					FROM S/N:TW901543554970	
04	129913202	996530013156	SCREW TCB TORX 10 3X8 PLAST.ZN-B					HD8917/01-09 HD8918/09	
05		421946017941	KLUBERLUB NH1 11-222 TUBE 5GR.				421944036032	DEEP/BLK WATER CONTAINER LID V2 SMRG/P	
06		421941308001	KIT PS-E INSERT FOR BOX SMRG					FROM S/N:TW901543554970	
07		421946025851	DISPL.BOX SMRG/T SAE INCANTO					HD8916/01-09-19 HD8918/21-41	
			HD8917/01-09 HD8918/09		33	11031477	996530073487	TRANSP/GREY GROUND COFFEE HOPPER LID NPR	
			421946032391		34		421944043722	SS BEAN COF.CONT.LID V2 SMRG ASSY	
			HD8916/01-09-19 HD8918/21-41					FROM S/N:TW901543554970	
08	11000759	996530000487	HOT WATER TUBE SPRING P124					HD8917/01-09 HD8918/09	
09		421944052811	G/ANM DRIP TRAY SMRG/T-TE ASSY				421944035972	DEEP/BLK BEAN COF.CONT.LID V2 SMRG/P	
			HD8919/51-55-59					FROM S/N:TW901543554970	
			421944056171					HD8916/01-09-19 HD8918/21-41	
			ALL EXCEPT HD8919/51-55-59		35	11031523	996530073462	BLACK INFRAREDS PLATE RYL	
10		421944037711	SS GRATE FOR DRIP TRAY SMRG/T		36	9161.111	996530050555	MAGNET FOR FLOAT SUPERAUT.	
11		421944043651	DRIP TRAY INSERT SMRG/H ASSY		37	11013220	996530069857	STEEL PLATE FOR DOOR MAGNET XSM	
			HD8917/01-09 HD8918/09		38	17001065	996530073429	MATT/BLACK RIGHT SIDE DOOR SMR	
			421944034801		39		421944033071	BLK UPP.CASING COV.SMRG	
			HD8916/01-09-19 HD8918/21		40		242212625104	SWI POW 2P 12A 250V FASTON GP12H B	
			421944051331		41		421944056212	DEEP/BLK REAR LID FIXING INSERT V2 SMRG	
12	12000280	996530007788	CUP SOCKET EN 60320 C 13	HD8918/41				FROM S/N:TW901543554970	
13		421944042991	BLK DUMP BOX SMRG		42		421944040451	BLK CONT.SEP.INSERT SMR	
14		421941304791	RED/3003 FLOAT FOR DRIP TRAY XSM		43		421944055211	UPP.CAS.COVER INS.S/SCR SMRG/T ASSY	
15	17001556	996530073468	TRANSP.SILICONE FOOT SMR				421944062591	BLK UPP.CAS.COVER INS.S/SCR SMRG/TE	
16		421944052361	CHRM.COVER FOR CARAFE HOLE SMRG					HD8916/01-09-19 HD8918/21	
17		421941309001	CPR SMRG/T REV02 ASSY	Only OTC				HD8917/01-09 HD8918/09	
18	17001484	996530068728	MATT/BLK REAR CASING PROGRAM.INSERT NPR				421944050021	G/ANM UPP.CASING COV.INS.S/SCR.SMRG/TE	HD8918/41
19	0301.961	996530039604	STICKER FOR WATER HARDNESS TEST		44		421944056222	DEEP/BLK FRONT LID FIXING INSERT V2 SMRG	
20		421944052271	NAT/GRY WATER CONTAINER SMRG/P-H ASSY					FROM S/N:TW901543554970	
21	17001366	996530073463	BLACK LID FOR DUCKBILL VALVE SMR		45		421944043781	CHR.UPPER LEFT FRAME SMRG	
22	11003671	996530001829	TRANSP.VALVE FOR WATER CONTAINER P0049		46		421944043771	CHR.UPPER RIGHT FRAME SMRG	
23		421941157852	GRY WATER CONTAINER VALVE INSERT P0049		47		421944043711	SS LOWER FRONT INSERT SMRG/H ASSY	
24	11003672	996530001831	SS SPRING FOR WATER CONTAIN.VALVE P0049					HD8917/01-09 HD8918/09	
25	140328461	996530013571	OR ORM 0190-10 EPDM				421944036371	DEEP/BLK CASING INSERT SMRG/P	
26	224640200	996530029115	WHITE WATER CONTAINER EXT.FILTER ASSY.	WITH PART.N°25				HD8916/01-09-19 HD8918/21	
27	17001322	996530073442	BLACK WATER CONTAINER HANDLE SMR				421944051361	G/ANM CASING INSERT SMRG/TE	HD8918/41
28	17001474	996530073436	BLACK WATER LEVEL SENSOR SUPPORT SMR		48		421944043801	CHR.LOWER RIGHT FRAME SMRG	
29		421941306721	CPU+SW WATER LEVEL SENSOR V3 ASSY.		49		421944043791	CHR.LOWER LEFT FRAME SMRG	
30		421946000021	3P.CONN.WATER LEVEL SMR UL ASSY.		50		421944025161	YLW BEAN COFFEE GRINDER INSERT SMR	



INCANTO OTC - EXT



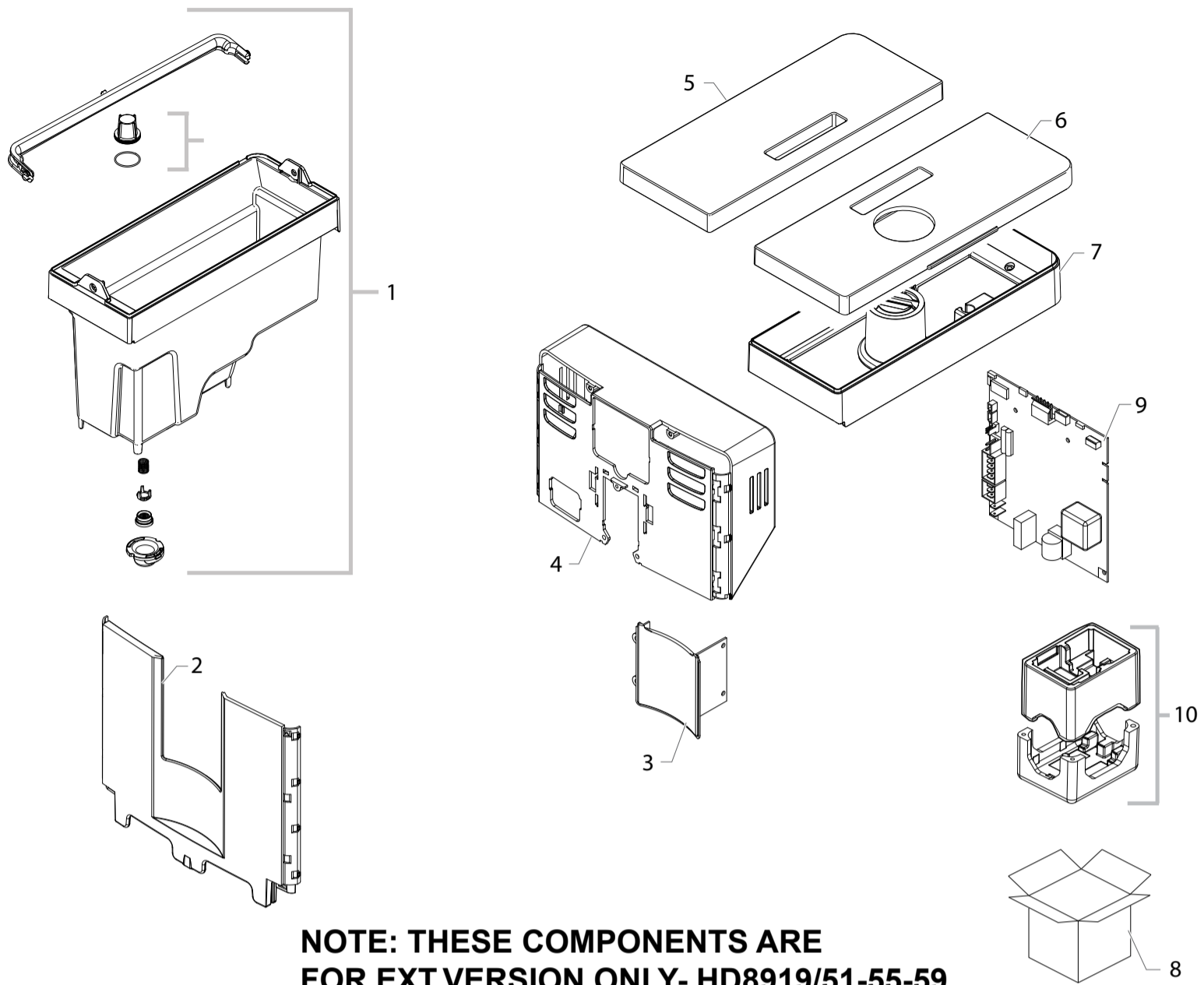
HD8916/01-09-19
 HD8917/01-09
 HD8918/09-21-41
 HD8919/51-55-59



Cod.882891601010 - 609300 - 619870
 Cod.882891701010 - 709300
 Cod.882891809870 - 821010 - 841220
 Cod.882891951010 - 955220 - 959300

POS	CODE	12NC	DESCRIPTION	NOTE	POS	CODE	12NC	DESCRIPTION	NOTE
51		421944052001	CARAFE HOLE PLUG INSERT SMRG/T-TE						
52	17001506	996530073635	BLK DRIP TRAY LOCKING RIGHT INSERT SMR/T						
53	17001507	996530073642	BLK DRIP TRAY LOCKING LEFT INSERT SMR/T						
54		421941308151	KIT SPARES M/BLK DRIP TRAY SMRG/H	HD8917/01-09 HD8918/09					
		421941308141	KIT SPARES M/BLK DRIP TRAY SMR/P	HD8916/01-09-19 HD8918/21					
		421941310021	KIT SPARES G/ANM DRIP TRAY SMRG/TE	HD8918/41					
55		421944061701	SS CYL.PIN D=3.4 L=15.3						
			FROM S/N:TW901543554970						
56		421941309471	KIT CONTAINERS LIDS (B)						
			UP TO S/N:TW901543554969						
			HD8917/01-09 HD8918/09						
		421941309461	KIT SPARES CONTAINERS LIDS (A)						
			UP TO S/N:TW901543554969						
			HD8916/01-09 HD8918/21						
57		421944006871	GRY WATER LEVEL SENSOR COVER SMR						
58		421944063091	WHT ADH.AERSTOP UPP.CAS.COV.SMRG						





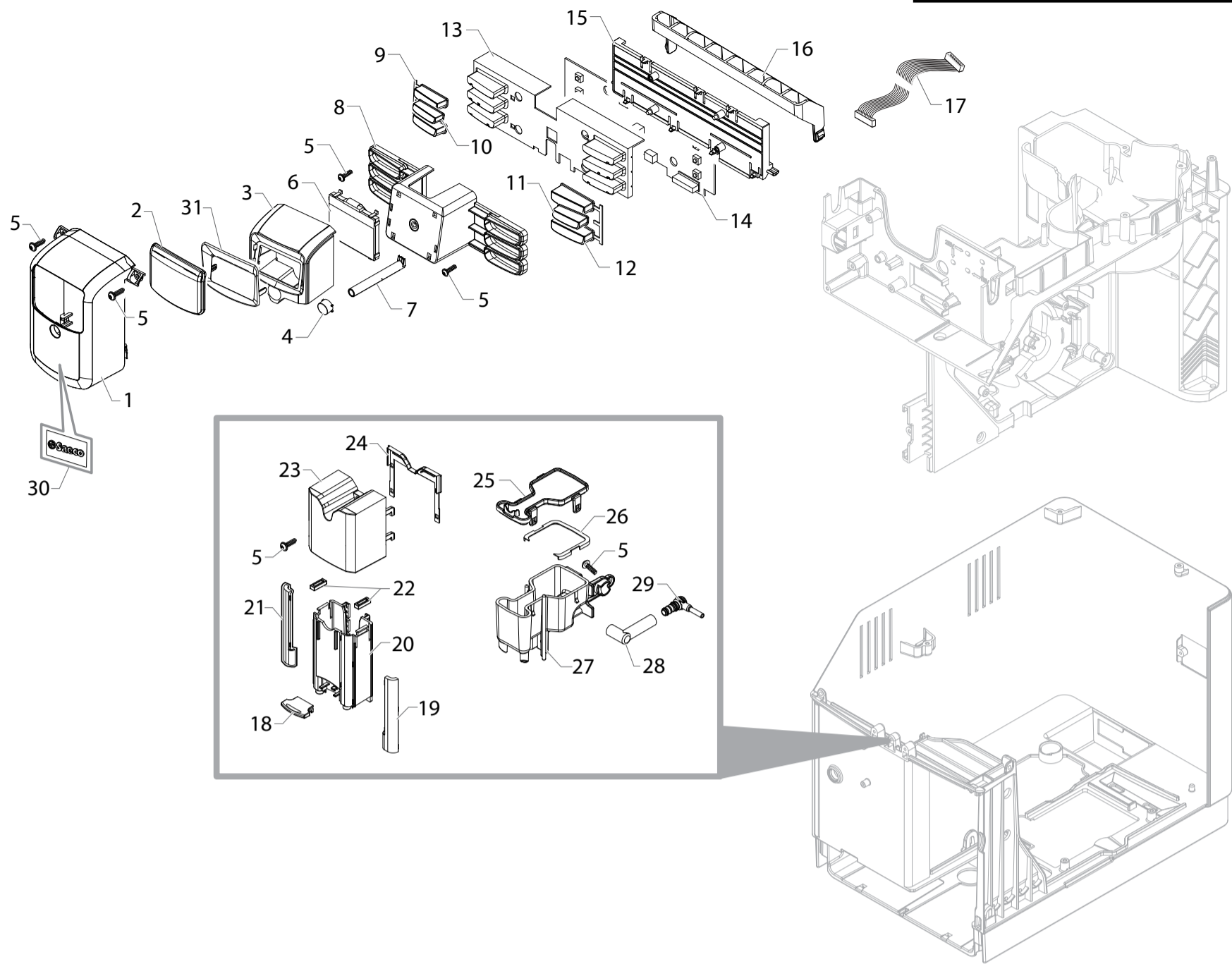
HD8916/01-09-19
 HD8917/01-09
 HD8918/09-21-41
 HD8919/51-55-59



Cod.882891601010 - 609300 - 619870
 Cod.882891701010 - 709300
 Cod.882891809870 - 821010 - 841220
 Cod.882891951010 - 955220 - 959300

POS	CODE	12NC	DESCRIPTION	NOTE	POS	CODE	12NC	DESCRIPTION	NOTE
01		421944050151	TRANSP/GRY WATER CONTAINER SMRG/TE ASSY.	HD8919/51-55-59					
02		421944051331	G/ANM DRIP TRAY INSERT SMRG/TE	HD8919/51-55-59					
03		421944051361	G/ANM CASING INSERT SMRG/TE	HD8919/51-55-59					
04		421944050021	G/ANM UPP.CASING COV.INS.S/SCR.SMRG/TE	HD8919/51-55-59					
05		421944042421	G/ANM WATER CONTAINER LID SMRG/TE	HD8919/51-55-59					
06		421944042951	G/ANM BEAN COF.CONT.LID SMRG/TE	HD8919/51-55-59					
07		421944050751	TRANSP/GRY BEAN COF.CONTAINER SMRG/TE	HD8919/51-55-59					
08		421946025861	DISPL.BOX SMRG/TE SAE INCANTO	HD8919/51-55-59					
09		421941309021	CPR SMRG/TE REV02 ASSY	HD8919/51-55-59					
10		421941308951	KIT PS-E INSERT FOR BOX SMRG/TE	HD8919/51-55-59					





HD8916/01-09-19
 HD8917/01-09
 HD8918/09-21-41
 HD8919/51-55-59

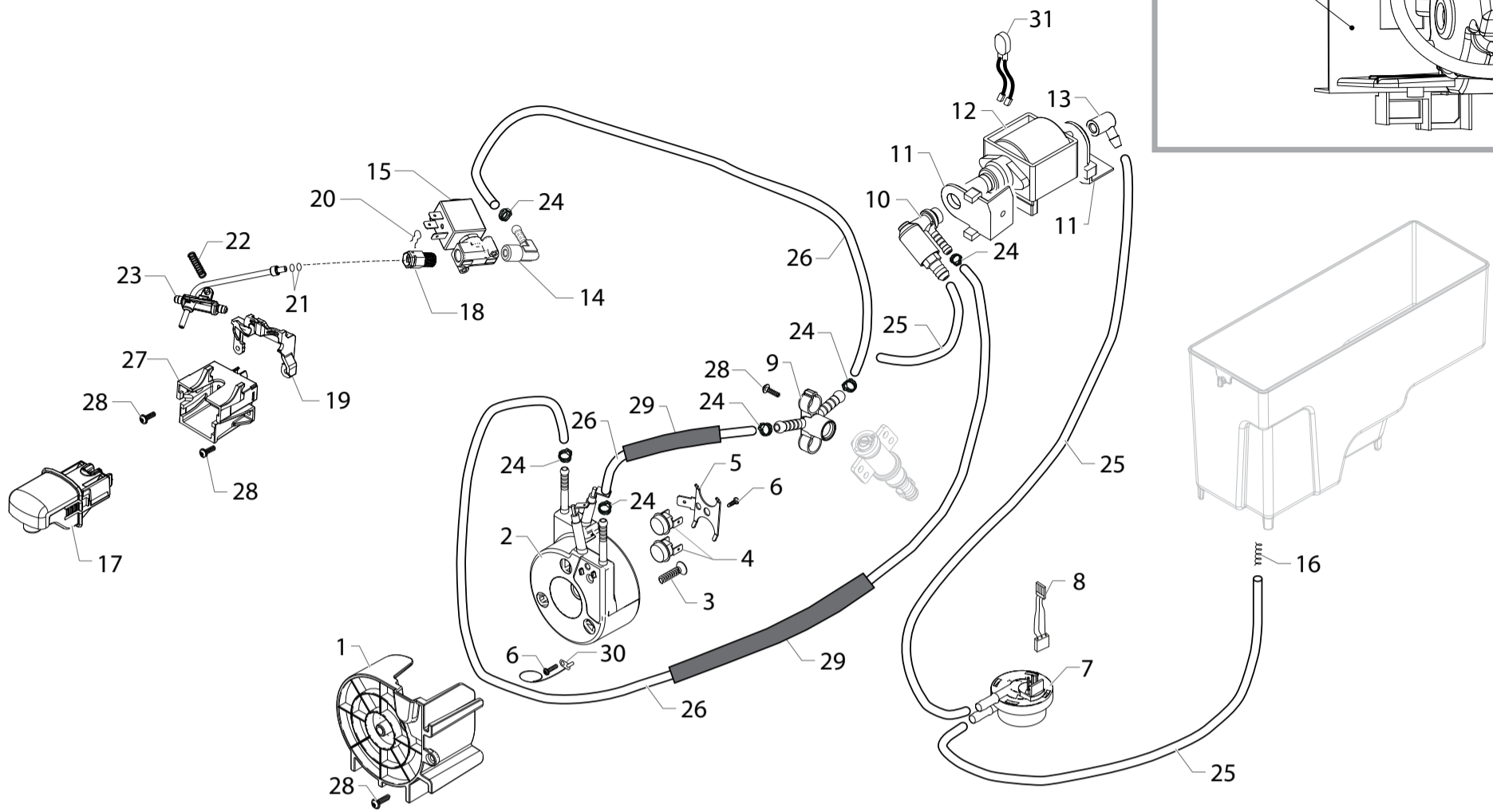
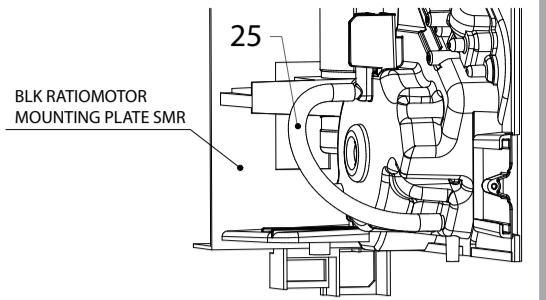


Cod.882891601010 - 609300 - 619870
 Cod.882891701010 - 709300
 Cod.882891809870 - 821010 - 841220
 Cod.882891951010 - 955220 - 959300

POS	CODE	12NC	DESCRIPTION	NOTE	POS	CODE	12NC	DESCRIPTION	NOTE
01		421944043701	CHROM.DISPLAY COVER SMRG						
02		421944036591	TRANSP.GLASS FOR DISPLAY SMRG						
03		421944032671	BLK FRONT PANEL MEMBRANE SMRG/H-P-T						
04		421944043621	TRANSP.STAND-BY BUTTON S/SCR.SMRG						
05	12000450	996530007819	SCREW TCBR TORX 10 3,5X12 PLAST.ZN-N						
06		421941307111	DISPLAY LCD 128X64 SMRG						
07		421944036581	BLK STAND-BY BUTTON LIGHT GUIDE SMRG						
08		421944036541	BLK DISPLAY SUPPORT SMRG						
09		421944043761	CHR.LEFT BUTT.S/SCR SMRG						
10		421944050182	CHROM.INTERMED.RIGHT LEFT.S/SCR V2 SMRG						
11		421944051271	CHROM.INTERMED.RIGHT BUTT.S/SCR SMRG/T						
12		421944051281	CHR.RIGHT BUTT.S/SCR SMRG/T						
13		421944052721	BLK SILIC.KEY V2 SMRG						
14		421941308731	KIT SPARES KYB - DISPLAY SMRG/P/H/T						
15		421944036531	BLK DISPLAY KEYB.-INTERFACE SUPPORT SMRG						
16		421944034431	BLOCK KEY SUPP. SMRG						
17		421946020421	16P.CPU-USER INTERF.FLATCABLE SMRG						
18		421944043831	CHR.COFFEE SPOUT HANDLE SMRG						
19		421944043821	CHR.RIGHT FRAME COF.DISP.MOB.PART SMRG						
20		421944056791	M/BLK COF.DISPEN.MOBILE PART V2 SMRG AS.						
21		421944043811	CHR.LEFT FRAME COF.DISP.MOB.PART SMRG						
22		421944057331	BLK MOBILE SPOUT INSERT V2 SMGR						
23		421944056581	BLK COFFEE DISPENSER LID V2 SMRG						
24		421944046151	SEAL FOR MOBILE SPOUT SUPP.SMGR						
25		421944034321	BLK COFFEE DISPENSER BODY LID SMRG						
26		421944017651	WHT COFFEE DISPENSER BODY SEAL SMR						
27		421944034141	BLK COFFEE DISPENSER BODY SMRG						
28	17000955	996530073471	TRANS.BREW UNIT COF.OUTLET CONN.TUBE SMR						
29	17001849	996530073464	BLK BREW UNIT COFFEE OUTLET CONNECT.SMR						
30		421944049211	WRITTEN BRAND SAECO SMRG MET.STICKER						
31		421944036611	BLK DISPLAY FRAME SMRG						



3D VIEW TO INDICATE THE INSTALLATION OF THE EXHAUST PIPE FOR COMPARTMENT TANK



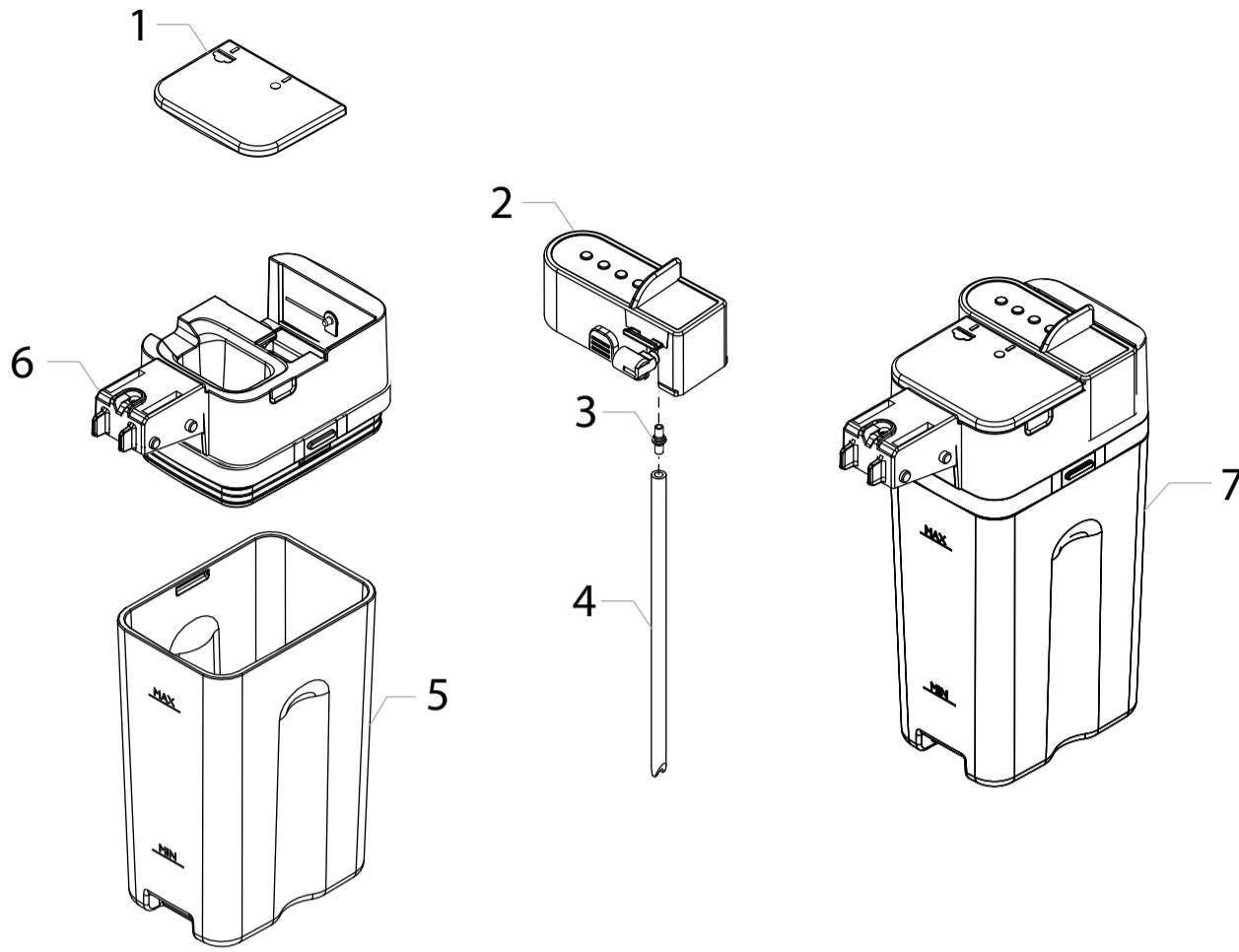
HD8916/01-09-19
 HD8917/01-09
 HD8918/09-21-41
 HD8919/51-55-59



Cod.882891601010 - 609300 - 619870
 Cod.882891701010 - 709300
 Cod.882891809870 - 821010 - 841220
 Cod.882891951010 - 955220 - 959300

POS	CODE	12NC	DESCRIPTION	NOTE	POS	CODE	12NC	DESCRIPTION	NOTE
01		421944040831	BLK SLIM TUB. BOILER SUPPORT V2 SMR						
02		421941300801	HP/SLIM TUB. BOILER SMR	230V-1900W					
03	12001280	996530008024	SCREW TSP TORX 10 5X20 PLAST.ZN-B						
04	12001033	996530007973	THERMOSTAT ONE SHOT 190°						
05	11001751	996530000997	TUB. BOILER V3 UPPER THERM. FIXING SPRING						
06	12001715	9965300069758	SCREW TCB TORX 20 M4X8 AUTOFORMING ZN-B						
07	NV99.099	9965300059843	TURBINE D=1,2 932-8521/00 ASSY.						
08	17800686	996530073488	3POLES CONNECTOR FLOWMETER SMR UL						
09		421941279742	BLK CONNECTOR FOR PIN BOILER V2 SMR						
10	11024863	9965300068178	L-F/BR.SAFETY VALVE 16-18 BAR ASSY.						
11	149205850	996530018056	BLACK TYPE ULKA PUMP W/BEVEL SUPPORT						
12	12000140	996530007753	ULKA PUMP EP5/S GW	230V-50HZ					
13	11002149	996530001186	BLACK PUMP OUTLET 90°CONNECTOR P0049/A						
14	11024469	9965300067632	L-F/BRASS CONNECTOR FOR BOILER AURA						
15		421944029331	2WAY EV OT57 G1/8F. X G1/8F.24V DC 10W-B						
16	0701.081	996530073439	SPRING FOR TUBE PRODUCT 1						
17		421944042971	BLK HOT WATER DISPENSER SMRG ASSY.						
18	11027572	996530072695	L-F/BRASS CONNECTOR 1/8" FOR TUBE D=4						
19		421944008851	BLK CARAFE GRAFT BODY INSERT SMR/T						
20	9011.144	996530048885	SS FORK FOR TUBE D=4						
21	140328059	996530013564	OR 2015 SILICONE PTFE/FDA						
22	17000006	996530009559	TWO WAY TEFLON TUBES SUPPORT SPRING MYB9						
23		421944029721	WHT PREFORM.TEFLON TUBE SUP.145 SMR/T AS						
24	12000892	996530007947	OETIKER CLAMP D=9,5 16700004						
25	JS01.022	9965300057357	SILICONE TUBE 5X10 60SH	IN ROLL					
26	16000380	996530009505	5X8,9 SILICONE TUBE	IN ROLL					
27		421944008431	BLK CARAFE INSERT BODY SMR/T						
28	12000450	996530007819	SCREW TCB TORX 10 3,5X12 PLAST.ZN-N						
29	16000540	996530009523	TRANSPAR.11X12,8 SILICONE TUBE	IN ROLL					
30	17800628	996530073428	TEMPERATURE SENSOR NTC UL L=550MM						
31	17800635	996530074282	2P.CONN.PUMP SMR UL ASSY.						
		421944046301	GEN.TUB. BOILER XS4 1900W 230V ASSY.	COMPLETE					





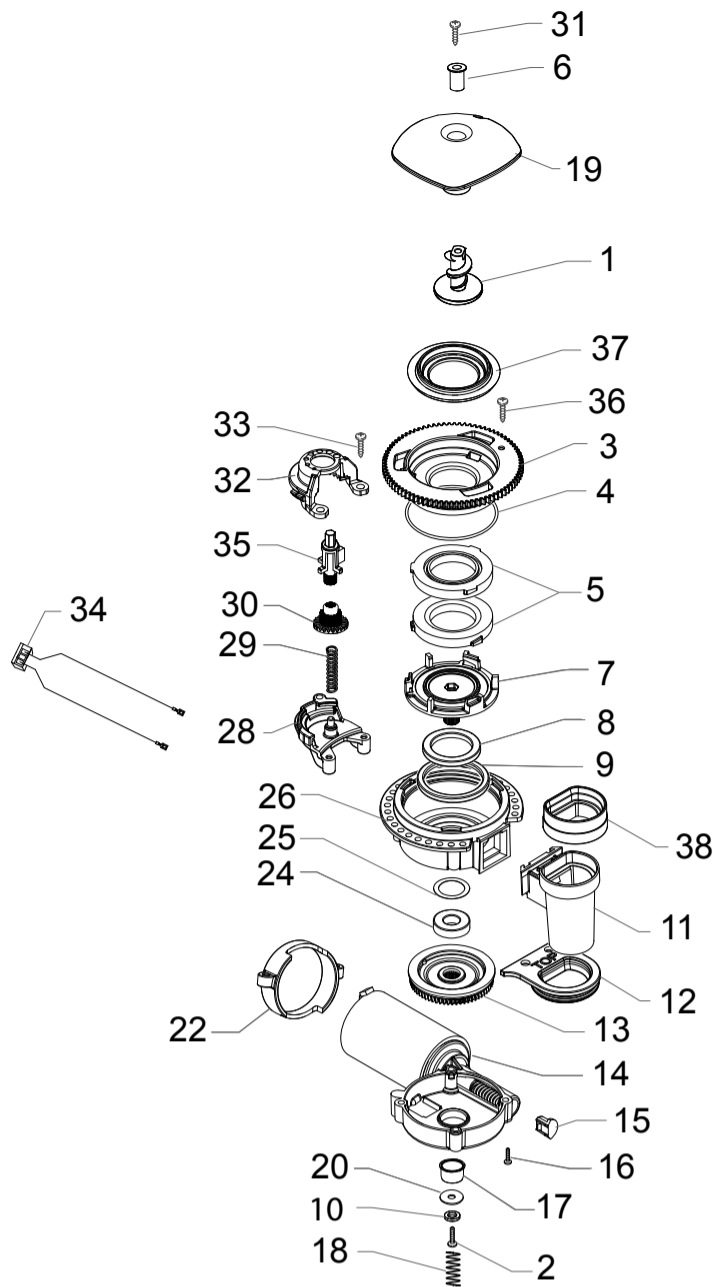
HD8916/01-09-19
 HD8917/01-09
 HD8918/09-21-41
 HD8919/51-55-59



Cod.882891601010 - 609300 - 619870
 Cod.882891701010 - 709300
 Cod.882891809870 - 821010 - 841220
 Cod.882891951010 - 955220 - 959300

POS	CODE	12NC	DESCRIPTION	NOTE	POS	CODE	12NC	DESCRIPTION	NOTE
01		421944007561	BLK CARAFE COVER PLUG SMR/T						
02		421941307191	KIT SPAR.BLK CAP.COV.SERVO CAR.SMRT/T AS						
03	17001362	996530068626	BLK MILK INTAKE TUBE CONNECT.INS.V2 RYL						
04	11012814	996530067584	SILICONE TUBE 3,5X6 L=140 MM						
05		421944032881	TRANSP.D/GREY PH-11514 CARAFE V2 HGO/T						
06		421941307041	KIT SPARES BLK UPP.COV.SERVO CAR.SMRT/T						
07		421944029451	TRANSP/BLK GEN.CARAFE SLID.SMRT/T ASSY.						





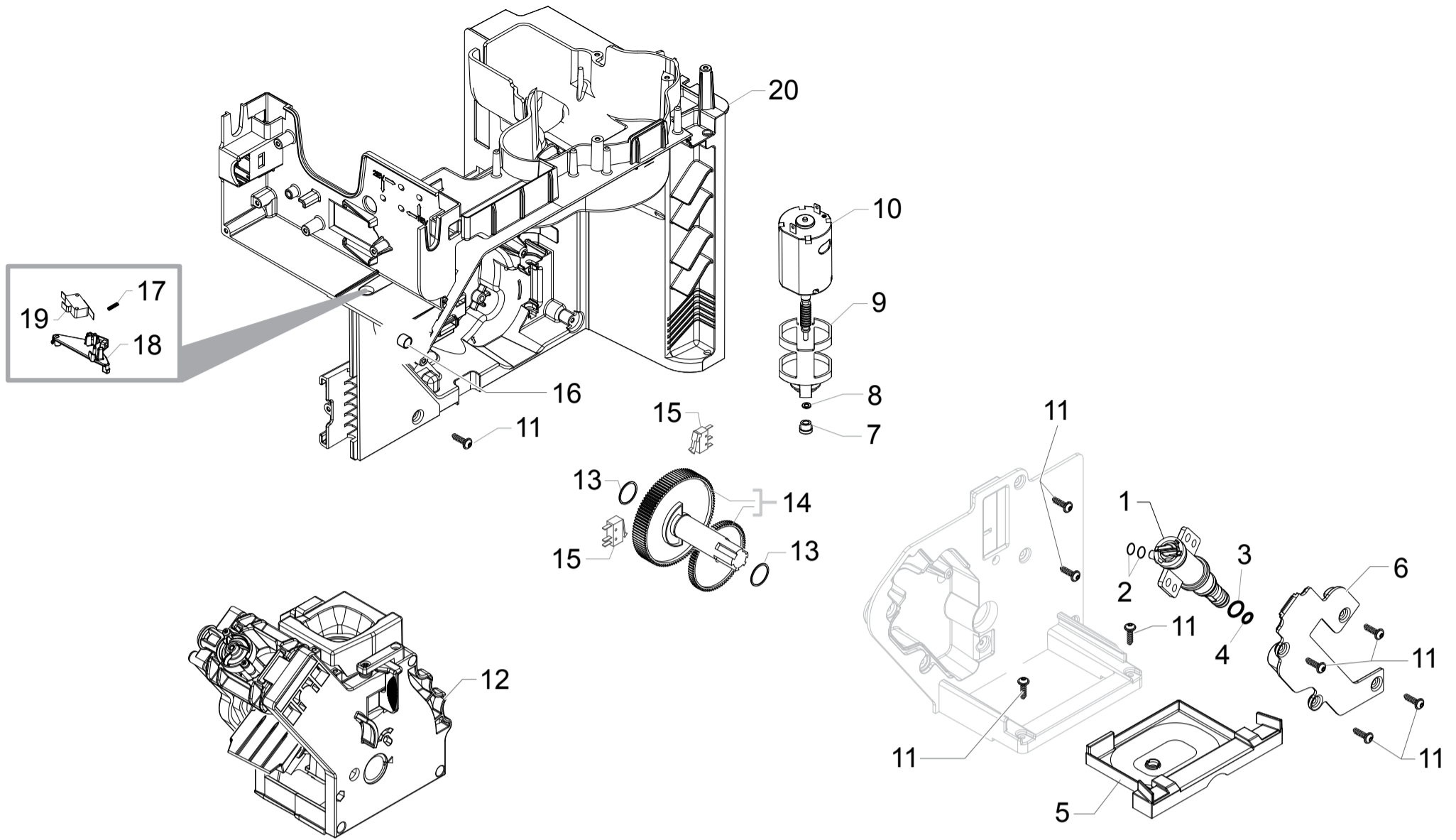
HD8916/01-09-19
 HD8917/01-09
 HD8918/09-21-41
 HD8919/51-55-59



Cod.882891601010 - 609300 - 619870
 Cod.882891701010 - 709300
 Cod.882891809870 - 821010 - 841220
 Cod.882891951010 - 955220 - 959300

POS	CODE	12NC	DESCRIPTION	NOTE	POS	CODE	12NC	DESCRIPTION	NOTE
01	11010031	996530005586	TEA/ZAMA INCREASE SCREW GRINDER				421944054631	GEN.MOTOR COF.GRINDER V2 SMR/B 230V ASSY	COMPLETE
02	129574802	996530012928	SCREW TCB TORX 20 M4X30 ZN-B				421944063111	GEN.MOTOR COF.GR.V2 W/FUSE MR/B 230V ASSY	COMPLETE
03		421944053581	BLK COF.GRINDER UPPER GRINDER SUPPORT V3					HD 8919/55	
04	140328960	996530013577	OR ORM 0530-15 NBR FDA						
05	146520100	996530016342	BAKED CLAY GRINDER 48X28						
06	11012466	996530006412	BRASS BUSH BEAN CONT.FINGER PROTEC.P0057						
07	149198350	996530017952	BLK LOWER COFFEEGRINDER GRINDER SUPPORT						
08	123030300	996530011183	AXIAL BEARING EKKO 342.35252						
09	140360500	996530013597	FELT RING 45,4X39,4X4						
10	128310402	996530012341	GALV.WASHER UNI 8842 A4						
11	11026355	996530068049	BLK GROUND COFF.OUTLET CONVEYOR V4 ASSY.						
12		421944060561	GRY GROUND COF.CONT.LOWER SEAL V2 SMART1						
13	226000300	996530029609	GEAR SX Z=38 FOR GRINDER MOTION ASSY.						
14		421944049151	MOTOR COFFEEGRINDER V3.2 ASSY.	230V					
15	149214800	996530018139	MC V3 MOD=1,25 WORM SCREW CENTRING CAP						
16	129661702	996530012992	SCREW TCB TORX 3,5X30 PLAST.ZN-B						
17	11002873	996530001389	INSULATOR BUSH FOR GRINDER MOTOR P124						
18	11000597	996530000376	STEEL COF.GRINDER SUPPORT SPRING P124						
19	17001008	996530073467	TRANS.BEAN CONTAIN.FINGER PROTECT.SMR UL						
20	128381902	996530012375	STEEL FLAT WASHER DI=4,3 DE=14 SP=1,5						
22	11000194	996530000115	BLACK COFFEEGRINDER MOTOR SUPPORT P124						
24	123030200	996530011182	RADIAL BEARING 61900.2RS1						
25	128381800	996530012374	STEEL CRINKLE WASHER 21,8X14X0,25						
26	142905450	996530015258	BLK UPPER BODY WITH COFFEE GROUND OUTLET						
28	11002613	996530001314	LOWER COFFEEGRINDER GEAR SUPPORT P124						
29	11002572	996530001308	COFFEEGRINDER REGULATION SPRING P124						
30	11003784	996530001907	COFFEE GRINDING ADJUSTMENT GEAR P0049						
31	U043.004	996530061808	ZN-B TCB TORX 20 M4X16 ZN-B						
32	11002508	996530001296	UPPER COFFEEGRINDER GEAR SUPPORT P124						
33	129914002	996530013165	SCREW TCB TORX 10 3,5X16 PLAST.ZN-B						
34	17800688	996530073454	2POLES CONNET.COFFEEGRINDER MOTOR SMR UL						
		421946000941	2P.CONN.COF.GRIND.MOTOR FUSE1.0A SMRO UL	HD 8919/55					
35		421944025161	YLW BEAN COFFEE GRINDER INSERT SMR						
36	12001622	996530068586	SCREW TCB TORX B 3,5X9,5 SCHEET NIK						
37		421941085872	COFFEE GRINDER SEAL P119 GRY 7035						
38	145854360	996530015958	BLK GROUND COFFEE CONT.UPPER SEAL SMART1						





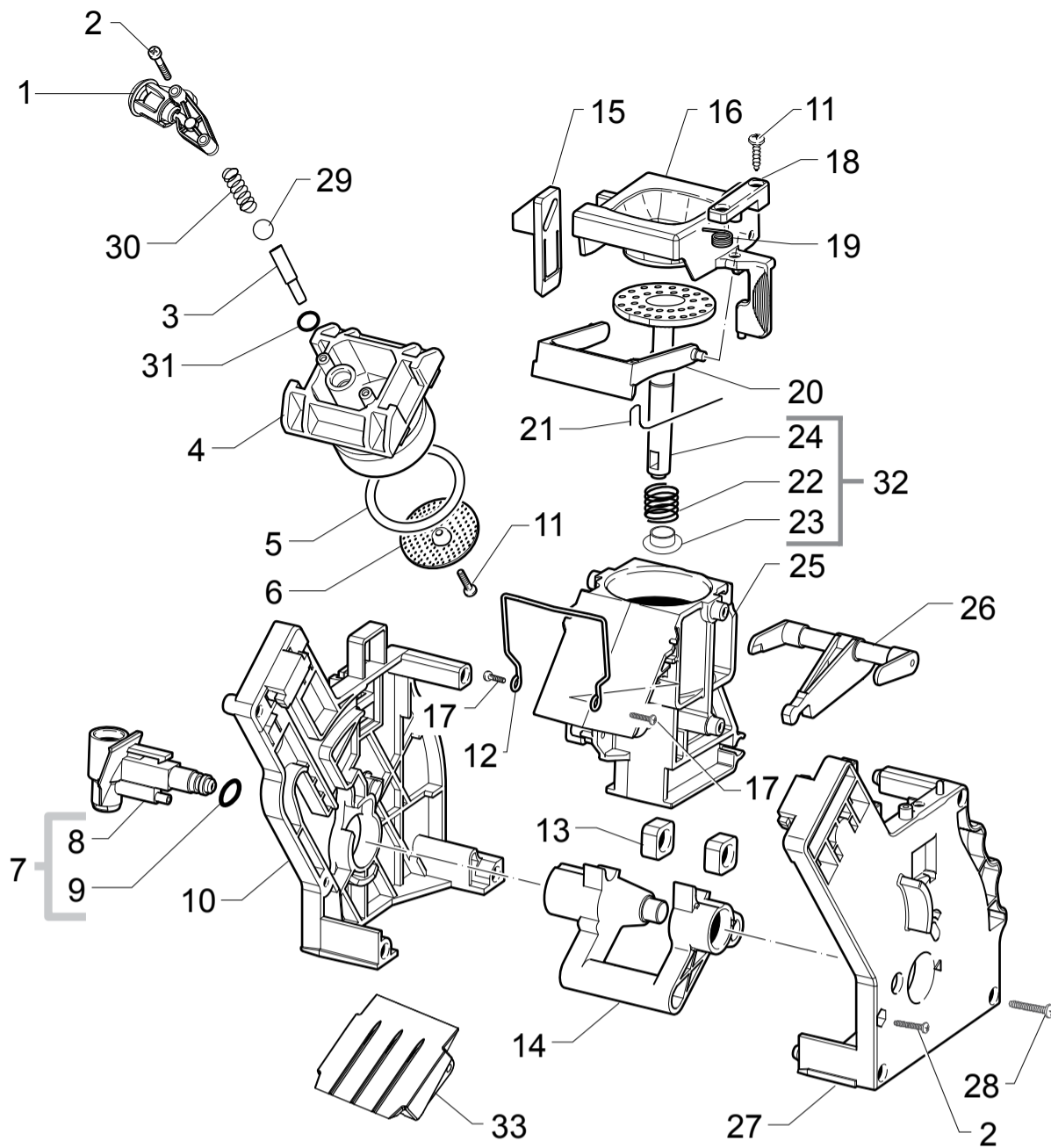
HD8916/01-09-19
 HD8917/01-09
 HD8918/09-21-41
 HD8919/51-55-59



Cod.882891601010 - 609300 - 619870
 Cod.882891701010 - 709300
 Cod.882891809870 - 821010 - 841220
 Cod.882891951010 - 955220 - 959300

POS	CODE	12NC	DESCRIPTION	NOTE	POS	CODE	12NC	DESCRIPTION	NOTE
01		421946011491	BLK PIN FOR BOILER VALVE 4BAR ASSY.						
02	140328059	996530013564	OR 2015 SILICONE PTFE/FDA						
03	NM01.035	996530059399	OR ORM 0090-20 SILICONE						
04	NM01.057	996530059419	OR ORM 0050-20 IN SILICONE						
05		421944062701	BLK BREW UNIT DRAWER COFFEE V2 SMR						
06	17000730	996530074054	BLACK BOILER SEAT PIN COVER SMR						
07	9121.046	996530049898	BRONZE SINTERED BUSH FOR MOTOR RATIOMOT.						
08	148380200	996530017424	BAKELIZZATE WASHER D=5,5						
09	9121.044	996530049896	ANTIVIBRATION FOR MOTOR						
10	11005214	996530002796	MOTOR FOR RATIOMOTOR P124 ASSY.						
11	12001728	996530070321	SCREW TCBR TORX 10 3,5X12 PLAST.SS						
12		421944052401	BLK BREW UNIT 8GR.5BAR SMR						
13	9161.132	996530050569	MYLAR WASHER FOR RATIOMOTOR						
14	20000900	996530009913	SPARES KIT GEARS FOR RATIOMOTOR V2						
15	12001841	996530073474	MICROSWITCH XC/SM1						
16	9161.111	996530050555	MAGNET FOR FLOAT SUPERAUT.						
17		421944006861	STEEL SPRING FOR MICRO COMPENSATOR SMR						
18	17001508	996530073469	BLACK MICRO COMPENSATOR SMR						
19		421946032321	MICROSWITCH XG/V3D/VA2						
20		421944043602	BLK RATIOMOTOR MOUNTING PLATE V2 SMRG ASSY						





HD8916/01-09-19
 HD8917/01-09
 HD8918/09-21-41
 HD8919/51-55-59



Cod.882891601010 - 609300 - 619870
 Cod.882891701010 - 709300
 Cod.882891809870 - 821010 - 841220
 Cod.882891951010 - 955220 - 959300

POS	CODE	12NC	DESCRIPTION	NOTE	POS	CODE	12NC	DESCRIPTION	NOTE
01		421944065221	BLK BREW UNIT COF.OUTLET SLEEVE SMR ASSY						
02	12000550	996530007838	SCREW TCB TORX 10 3X25 PLAST.SS						
03	11009276	996530005372	BLK COUNTER PISTON TUBE BREW UNIT S0053						
04	11001840	996530001046	BLACK COUNTER PISTON BREW UNIT 8GR.P124						
05	NM01.044	996530059406	OR ORM 0320-40 SILICONE PTFE/FDA						
06	9161.268	996530050709	PERCOLATOR DE=35,8 ELFO						
07	20000440	996530009825	BLACK WATER INLET SLEEVE BREW UNIT ASSY.						
08	9161.064.050	996530050488	BLACK WATER INLET SLEEVE BREW UNIT ROYAL						
09	NM02.007	996530059441	OR 2025 IN TERMOIL						
10	9161.375.050	996530050832	BLACK BREW UNIT REAR PLATE SMART						
11	12000895	996530007951	SCREW TSP TORX 10 3X10 PLAST.SS						
12	11001556	996530000898	SS BREW UNIT SPRING H=49 SMART						
13	9161.094.050	996530050539	BLACK BREW UNIT DRILLED BLOCK						
14		421944051231	YLW BREW UNIT ELBOW SHAFT M5000						
15		421944046931	YLW BREW UNIT COUPLING PLATE V2 SMART						
16	149261350	996530018241	BLACK HOPPER DOSER BREW UNIT SMART1						
17	129912521	996530013148	SCREW TCB TORX 10 3,5X14 PLAST.SS						
18		421944050711	YLW BREWUNIT HOPPER BLOCKING PLATE SMART						
19	9161.378	996530050838	SS HOPPER SPRING FOR BREW UNIT SMART						
20	11004161	996530002096	BLACK SCRAPER FOR BREW UNIT M5000						
21	9161.046	996530050455	SS SCRAPER SPRING FOR BREW UNIT						
22	9161.198	996530050627	SS.8GR.BREW UNIT PISTON SPRING						
23	9161.191	996530050618	WHITE 8GR.-12GR.BREW UNIT PISTON BUSH						
24		421944065791	GRY BREW UNIT INTEGR.PISTON 8GR.V3 ASSY						
25		421944014611	BLK COF.CONTAIN.BREW UNIT V2 M5000 ASSY.						
26	11003078	996530001452	BLACK CONNECTING ROD BREW UNIT 8GR.						
27	11005920	996530003228	BLACK BREW UNIT FRONT PLATE S/SCR.SMART						
28	12000897	996530007953	SCREW TCB TORX 10 3,5X20 PLAST.SS						
29		421944034451	BOROSILICATE SPHERE D.5 MM						
30	11012095	996530006305	SS COFFEE UNIT CONTERPISTON SPRING S0053						
31	140328761	996530013575	OR ORM 0060-15 TERMOIL						
32		421944065811	GRY BREW UNIT 8GR.INT.PISTON GEN.V3 ASSY						
33	17000737	996530073426	BLACK BREW UNIT CONVEYOR SLIDE L=56,3						
		421944052401	BLK BREW UNIT 8GR.5BAR SMR						



INCANTO OTC - EXT