

HD8953/01-09-11-19-21
HD8954/01-06-09-47

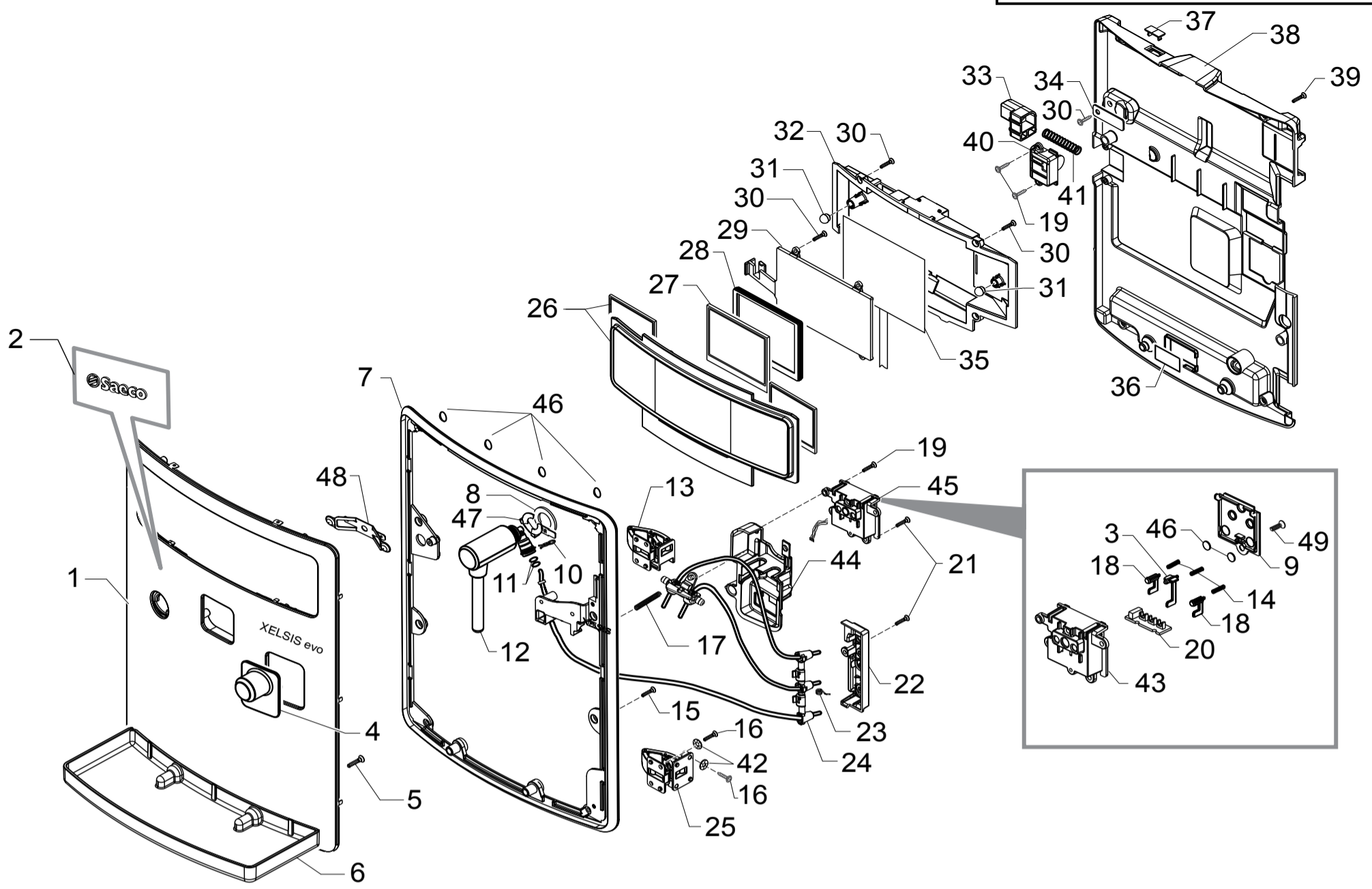


Cod.10004414-4415-4365-4366-882895321010
Cod.10004367-68-882895406470- 5447540

| POS | CODE | 12NC | DESCRIPTION | NOTE | POS | CODE | 12NC | DESCRIPTION | NOTE |
|-----|-----------|--------------|--|--------------|----------|---------------|-------------------------|---|--------------|
| 01 | 15003524 | 996530073368 | DOCUMENTATION CD MYBE XELSIS EVO ASSY. | | 11021342 | 996530007079 | PWR BOARD MYB9/MDS 120V | 120V | |
| 02 | | 421944033301 | BLK ABS COFFEE MEASURE SMART | | 27 | 11012035 | 996530006299 | BLACK PWR BOARD COVER MYB9 | |
| 03 | 127390100 | 996530011867 | BRUSH FOR CLEANING | | 28 | 17000123 | 996530067922 | BLACK REAR PANEL WHIT LOGO SAECO V2 MYB9 | |
| 04 | | 421946017941 | KLUBERLUB NH1 11-222 TUBE 5GR. | | 29 | 11008844 | 996530005056 | 2POLES CONNECT.SUPPLY CUPWARMING G0053JUL | |
| 05 | 12001728 | 996530070321 | SCREW TCBR TORX 10 3,5X12 PLAST.SS | | 30 | - | 421944001481 | M/BLK RIGHT SIDE PANEL V2 MYB9/P | CLASS / FULL |
| 06 | 0301.961 | 996530039604 | STICKER FOR WATER HARDNESS TEST | | 11028791 | 996530072662 | 996530072662 | SB/SS RIGHT SIDE PANEL V2 MYB9/H-T ASSY. | HIGH / SS |
| 07 | | 421946001591 | BLK POWER CABLE SCHUKO L=800 | | 11024509 | 996530070335 | 996530070335 | WHITE RIGHT SIDE PANEL V2 MYB9/H-T ASSY. | |
| | 183921950 | 996530025843 | BLK POWER CABLE SJT3 USA UL L=1200 | | 31 | 11022807 | 996530007449 | BLK FRONT COVER CASING INS.MYB9/H-P ASSY | CLASS / FULL |
| | 11001985 | 996530001089 | BLK POWER CABLE KOREA L=1200 | | 11025962 | 996530072659 | 996530072659 | SB/SS FRONT COVER CASING INS.MYB9/H-P AS | HIGH / SS |
| 08 | 13001097 | 996530008404 | BAND FOR LIFTING L=1800MM H=300MM | | 11022806 | 996530007448 | 996530007448 | WHT FRONT COVER CASING INS.MYB9/H-P ASSY | |
| 09 | 20006891 | 996530067538 | KIT PS-E INSERT FOR BOX MYB9 | | 32 | 11013170 | 996530006676 | BLACK STEEL CASING MYB9 ASSY. | |
| 10 | - | 421944005541 | BLK SLIM BOILER PROTECTION V2 MYB9 | | 33 | 11021769 | 996530007136 | BLACK RIGID FOOT FIXING PIN MYB9 | |
| 11 | 13001710 | 996530073374 | DISPLAY BOX MYBE SAE XELSIS EVO WE | | 34 | 11021829 | 996530007156 | BLACK/TRANSP.RIGID FOOT MYB9 | |
| | - | 421940312181 | DISPL.BOX MYBE SAE XELSIS EVO USA | | 35 | 11022527 | 996530007397 | BLACK DUMP BOX PROTECTION MYB9 | |
| 12 | 12000450 | 996530007819 | SCREW TCBR TORX 10 3,5X12 PLAST.ZN-N | | 36 | 11013595 | 996530006815 | BLACK DUMP BOX MYB9 ASSY. | |
| 13 | 11025978 | 996530072657 | SB/SS GROUND CONT.DOOR COVER S/S.MYB9 AS | | 37 | 11022169 | 996530007247 | BLK DRIP TRAY COFF.BREW UNIT COVER MYB9 | |
| 14 | 11031317 | 996530073383 | MATT/BLK WATER CONTAIN.DOOR COVER MYB9/P | CLASS / FULL | 38 | 17001901 | 996530071992 | BLACK COFFEE UNIT DRIP TRAY V2 MYB9 | |
| | 11029403 | 996530072665 | SB/SS WATER CONT.DOOR COVER V2 MYB9 ASSY | HIGH / SS | 39 | 11013128 | 996530006642 | 40POLES FLAT CABLE BOARDS LINK MYB9 UL | |
| | 11029404 | 996530072937 | WHITE WATER CONT.DOOR COVER V2 MYB9 ASSY | | 40 | 11013806 | 996530006864 | BLACK FLAT-CABLE PROTECTION MYB9 | |
| 15 | 11031315 | 996530073378 | MATT/BLACK LEFT SIDE PANEL MYB9/P | CLASS / FULL | 41 | WGA4316031000 | 996530063553 | ADHESIVE HEATING-ELEMENT 230V | 230V |
| | 11028790 | 996530072664 | SB/SS LEFT SIDE PANEL V2 MYB9/H-T ASSY. | HIGH / SS | 11000791 | 996530000503 | 996530000503 | ADHESIVE HEATING-ELEMENT 120V | 120V |
| | 11024523 | 996530070334 | WHITE LEFT SIDE PANEL V2 MYB9/H-T ASSY. | | 42 | 21002050 | 996530071872 | ACC PSA BRITA WATER FILTER 1UNIT | |
| 16 | 11022426 | 996530007365 | SS SPRING FOR WATER CONTAINER LEVER MYB9 | | 21002051 | 996530071783 | 996530071783 | ACC PSA MAVEA WATER FILTER 1UNIT | |
| 17 | 12001263 | 996530008019 | BLACK PUSH-PUSH MYB9 | | 43 | 17000007 | 996530066726 | COMPONENTS SUPPORT INSULATE SHEET MYB9 | |
| 18 | 11022425 | 996530007364 | YELLOW LEVER FOR WATER CONTAIN.S/SC.MYB9 | | 44 | 11023304 | 996530007613 | PWR ELECTR.BOARD INSULATE SHEET MYB9 | |
| 19 | 11025965 | 996530072656 | SB/SS CUP WARMING LID V2 MYB9 | | 45 | 15004134 | 996530073615 | MANUAL SAE HD8953/HD8954 MYBE GB | |
| 20 | 11031318 | 996530073375 | MATT/BLK BEAN CONTAIN.DOOR COVER MYB9/P | CLASS / FULL | 15004135 | 996530073617 | 996530073617 | MANUAL SAE HD8953/HD8954 MYBE FR | |
| | 11029385 | 996530072661 | SB/SS BEAN CONT.DOOR COVER V2 MYB9 ASSY. | HIGH / SS | 15004136 | 996530073616 | 996530073616 | MANUAL SAE HD8953/HD8954 MYBE ES | |
| | 11029386 | 996530072982 | WHITE BEAN CONT.DOOR COVER V2 MYB9 ASSY. | | | | | | |
| 21 | 12001330 | 996530008026 | TRANSP.ROUND ADHESIVE FOOT SJ-5382 | | | | | | |
| 22 | 11022821 | 996530007454 | BLK REAR COVER CASING INSERT MYB9 ASSY. | CLASS / FULL | | | | | |
| | 11025964 | 996530072663 | SB/SS REAR COVER CASING INSERT MYB9 ASSY | HIGH / SS | | | | | |
| | 11022820 | 996530007453 | WHT REAR COVER CASING INSERT MYB9 ASSY. | | | | | | |
| 23 | 17000205 | 996530066735 | BLACK COVER CASING W/PROTECT.V2 MYB9/H-T | | | | | | |
| 24 | 11003232 | 996530001522 | AS.CPU+SW WATER LEVEL SENSOR V2 | | | | | | |
| 25 | 11014017 | 996530006969 | BLACK HORIZONTAL MOUNTING PLATE MYB9 ASS | | | | | | |
| 26 | 11024263 | 996530067506 | PWR BOARD MDS 230V | 230V | | | | | |



XELSIS EVO



HD8953/01-09-11-19-21
HD8954/01-06-09-47

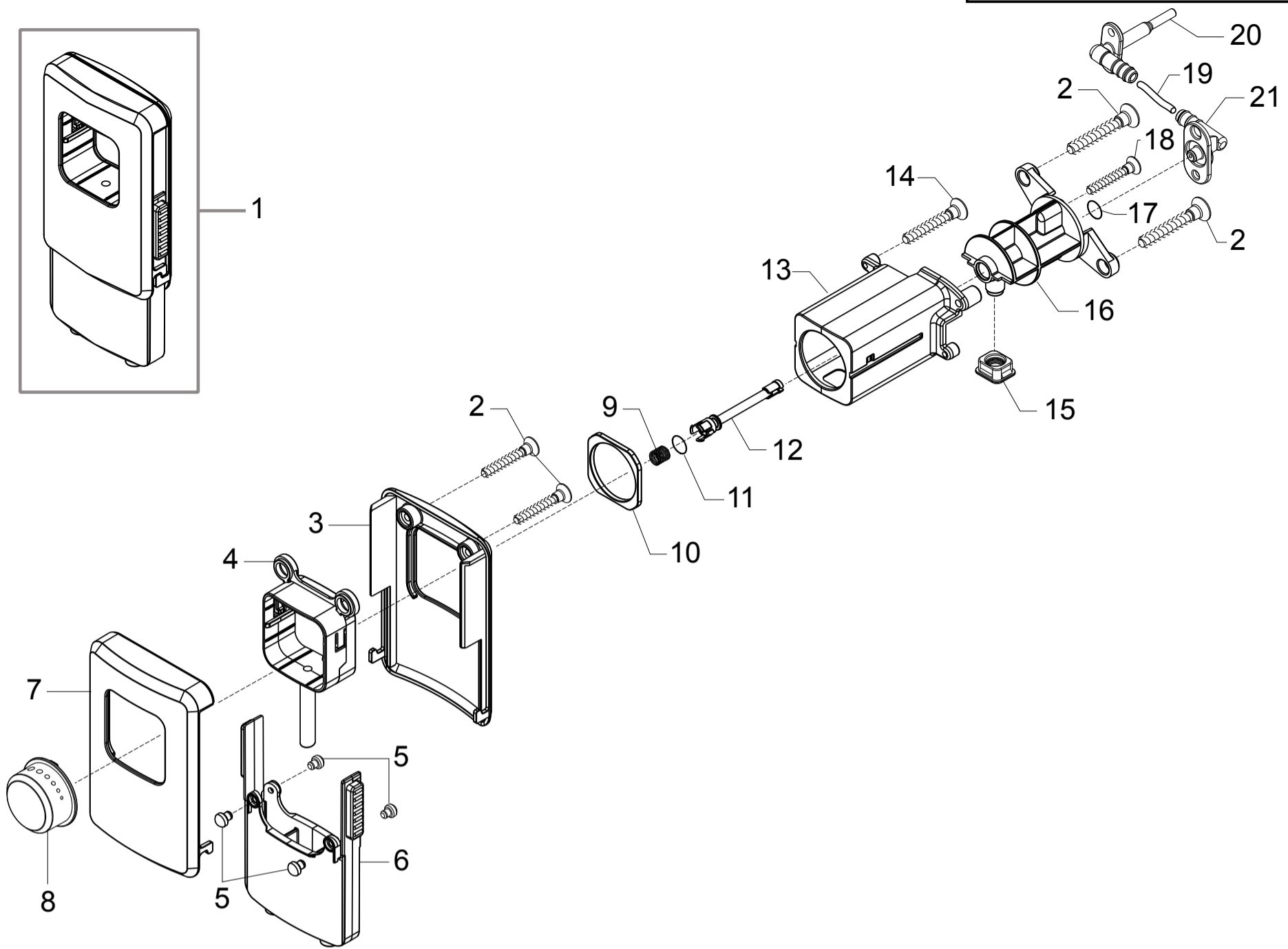


Cod.10004414-4415-4365-4366-882895321010
Cod.10004367-68-882895406470- 5447540

| POS | CODE | 12NC | DESCRIPTION | NOTE | POS | CODE | 12NC | DESCRIPTION | NOTE |
|-----|-----------|--------------|--|-----------------|-----|-----------|--------------|--|-------------|
| 01 | 11031550 | 996530073371 | SB/SS FRONTAL PANEL S/SCR.MYBE ASSY. | CLASS/ HIGH/ SS | 36 | 11000651 | 996530000425 | WATER LEVEL SENSOR BOARD P124 | FOR USA |
| | 11031551 | 996530073377 | MATT/BLK FRONTAL PANEL S/SCR.MYBE ASSY. | FULL | | 11003232 | 996530001522 | CPU+SW WATER LEVEL SENSOR V2 ASSY. | NOT FOR USA |
| | - | 421941303621 | WHT FRONT.PANEL S/SCR.MYBE ASSY. | | 37 | 11001339 | 996530000763 | TRANSP.INFRAREDS PLATE P0049 | |
| 02 | 11030768 | 996530072703 | ADHES.SILVER PLATE LOGO SAECO NPR | | 38 | - | 421944006981 | BLK INSIDE COVER FRON.PANEL V4 MYB9/H | |
| 03 | 17000045 | 996530009578 | BLK PRESENCE CARAFE MICRO INSERT V2 MYB9 | | 39 | 129912521 | 996530013148 | SCREW TCBR TORX 10 3,5X14 PLAST.SS | |
| 04 | 11024247 | 996530066715 | CHROM.CONNEC.CAP FOR CARAFE V2 MYB9 ASSY | | 40 | 11014218 | 996530007043 | BLACK COVER BUTTON FOR DOOR RELEASE MYB9 | |
| 05 | 12001369 | 996530008039 | SCREW TSP TORX 10 5X35 PLAST.SS | | 41 | 11021747 | 996530007128 | SPRING FOR DOOR RELEASE BUTTON MYB9 | |
| 06 | 17000223 | 996530070223 | BLACK DRIP TRAY SUPPORT V2 MYB9/T ASSY. | | 42 | 128310402 | 996530012341 | GALV.WASHER UNI 8842 A4 | |
| 07 | - | 421944013461 | CHROM.ZAMA FRONT FRAME V3 MYB9 | | 43 | 11023238 | 996530007602 | BLK CARAFE BOARD SUPPORT V4 MYB9 ASSY. | |
| 08 | 11001624 | 996530000929 | BLACK STEAM TUBE WASHER P0049 | | 44 | 11023251 | 996530007606 | BLACK FRONTAL PANEL INSERT MYB9 | |
| 09 | 11013328 | 996530006745 | BLACK CARAFFE BOARD COVER MYB9 | | 45 | 11023423 | 996530066676 | BLK CARAFFE BOARD SUPP.GEN.V2 MYB9 ASSY. | |
| 10 | 9011.144 | 996530048885 | SS FORK FOR TUBE D=4 | | 46 | 12001330 | 996530008026 | TRANSP.ROUND ADHESIVE FOOT SJ-5382 | |
| 11 | 140328059 | 996530013564 | OR 2015 SILICONE PTFE/FDA | | 47 | 17000055 | 996530072431 | GALVAN/STEEL FOLK SPRING W/FASTON | |
| 12 | 11013244 | 996530006708 | TF/CHROM.- CHROM.STEAM TUBE MYB9 ASSY. | | 48 | 11006740 | 996530003793 | BRONZE SPRING FOR FRONT CASING G0053 | |
| 13 | 17000106 | 996530009584 | ZAMA DOOR UPPER HINGE V2 MYB9 | | 49 | 12000895 | 996530007951 | SCREW TSP TORX 10 3X10 PLAST.SS | |
| 14 | 17000019 | 996530009566 | SS CARAFE MICRO INSERT SPRING MYB9 | | | | | | |
| 15 | 12001430 | 996530008051 | SCREW TCBR TORX 20 4X10 PLAST.SS | | | | | | |
| 16 | 129823821 | 996530013079 | TCB SCREW M4X8 UNI 7687 SS | | | | | | |
| 17 | 17000006 | 996530009559 | TWO WAY TEFLON TUBES SUPPORT SPRING MYB9 | | | | | | |
| 18 | 17000002 | 996530009555 | BLACK CARAFE MICRO INSERT V2 MYB9 | | | | | | |
| 19 | 12000450 | 996530007819 | SCREW TCBR TORX 10 3,5X12 PLAST.ZN-N | | | | | | |
| 20 | 11013368 | 996530006754 | MILKCARAFFE BOARD V2 MYB9 | | | | | | |
| 21 | 12001431 | 996530008052 | SCREW TCB TORX 10 3X12 PLAST.SS | | | | | | |
| 22 | 11013784 | 996530006855 | BLACK TEFLON TUBES SUPPORT COVER MYB9 | | | | | | |
| 23 | 11013785 | 996530006856 | STEEL TEFLON TUBES SUPPORT SPRING MYB9 | | | | | | |
| 24 | 11023352 | 996530066675 | WHT PREFORM.TEFLON TUBES SUPP.MYB9 ASSY. | | | | | | |
| 25 | 17000094 | 996530009581 | DOOR LOWER HINGE V2 MYB9 | | | | | | |
| 26 | 20006820 | 996530010248 | KIT SPARES FRONT PLATE DISPLAY MYB9/H-T | COMPLETE | | | | | |
| 27 | 12001261 | 996530008018 | DISPLAY 320x240 NO TOUCH BRIGHTNESS+MYB9 | | | | | | |
| 28 | 11013226 | 996530006702 | BLACK DISPLAY SEAL MYB9/H-T | | | | | | |
| 29 | 11012889 | 996530006568 | BLACK DISPLAY SUPPORT MYB9/H-T | | | | | | |
| 30 | 129913202 | 996530013156 | SCREW TCB TORX 10 3X8 PLAST.ZN-B | | | | | | |
| 31 | | 421944039851 | 65SH SILICONE BOILER SEALING VALVE V2 | | | | | | |
| 32 | 17000014 | 996530009564 | BLACK CPU BOARD COVER V2 MYB9/H-T | | | | | | |
| 33 | 11014215 | 996530007042 | BLACK BUTTON FOR DOOR RELEASE MYB9 | | | | | | |
| 34 | 11021976 | 996530007207 | STEEL PLATE FOR DOOR CLOSURE MYB9 | | | | | | |
| 35 | 11031528 | 996530073367 | CPU+SW MYB9/H SLIM V2 ASSY. | | | | | | |



XELSIS EVO



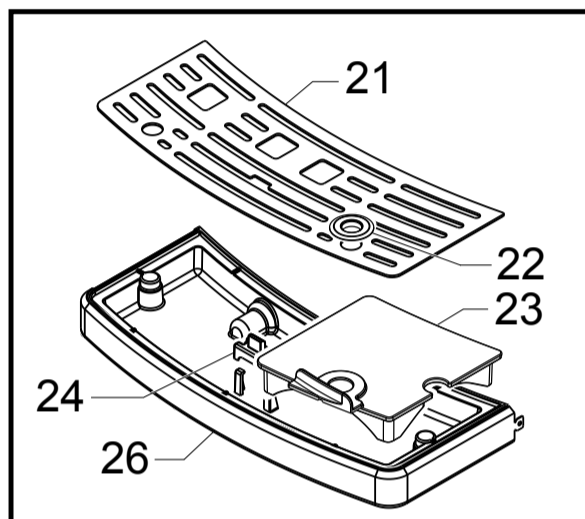
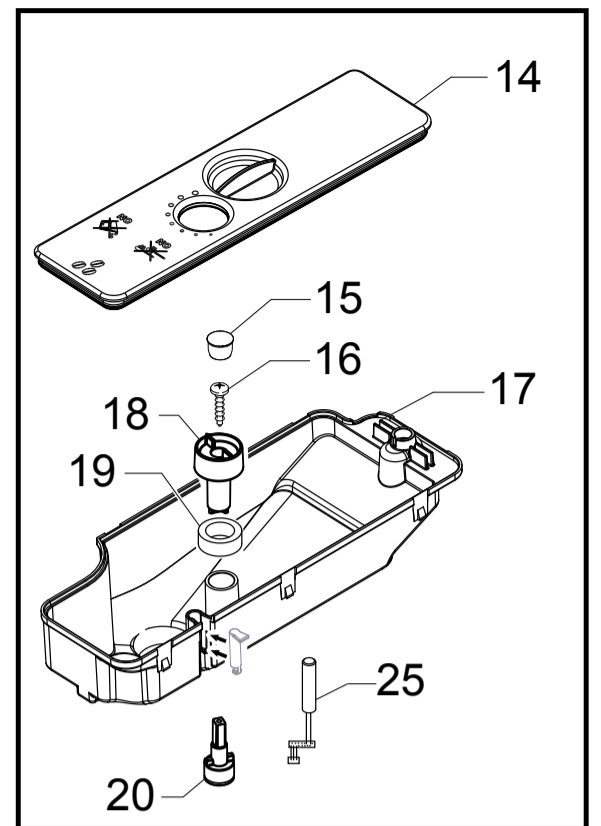
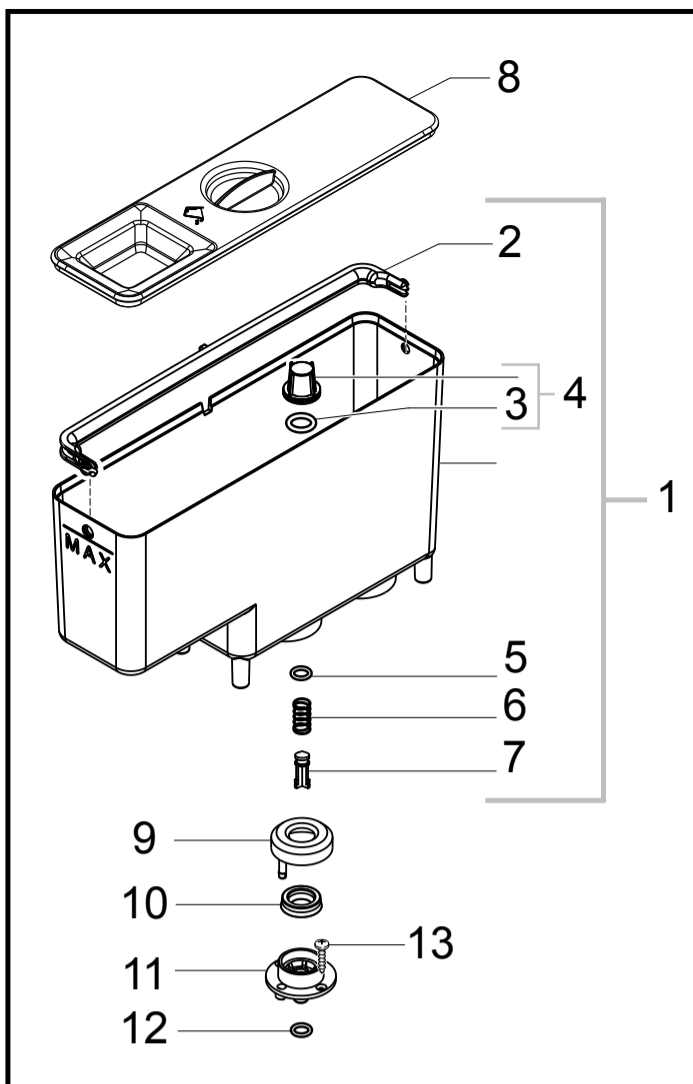
HD8953/01-09-11-19-21
HD8954/01-06-09-47



Cod.10004414-4415-4365-4366-882895321010
Cod.10004367-68-882895406470- 5447540

| POS | CODE | 12NC | DESCRIPTION | NOTE | POS | CODE | 12NC | DESCRIPTION | NOTE |
|-----|-----------|--------------|--|------|-----|------|------|-------------|------|
| 01 | 11027228 | 996530070234 | CHROM.COFFEE DISPENSER V2 MYB9 ASSY. WITH PART. N° 02 - 03 - 04 - 05 - 06 - 07 | | | | | | |
| 02 | 129570721 | 996530012907 | SCREW TCB TORX 10 M3X8 AUTOFORMING SS | | | | | | |
| 03 | 11013001 | 996530006579 | BLACK REAR COVER COFFEE DISPENSER MYB9 | | | | | | |
| 04 | 17002177 | 996530073046 | BLK COFFEE DISPENSER INNER BODY V3 MYB9 | | | | | | |
| 05 | 11013085 | 996530006614 | WHITE COFFEE DISPENSER SLIDER MYB9 | | | | | | |
| 06 | 11013002 | 996530006581 | BLACK COF.DISPENSER EXT.MOBILE PART MYB9 | | | | | | |
| 07 | 11027227 | 996530070327 | CHROM.FRONT COFF.DISPENSER COVER V2 MYB9 | | | | | | |
| 08 | 11022128 | 996530007237 | CHROM.CREAM ADJUSTMENT KNOB S/SCR.MYB9 | | | | | | |
| 09 | 126772518 | 996530011711 | SS COFF.CREAM ADJUSTMENT SHAFT SPRING | | | | | | |
| 10 | 11013324 | 996530006743 | BLACK CREAM ADJUSTMENT KNOB RING MYB9 | | | | | | |
| 11 | 140326661 | 996530013546 | OR ORM 0040-20 BLACK EPDM | | | | | | |
| 12 | 140640200 | 996530013621 | WHITE COFFEE CREAM ADJUSTMENT SHAFT | | | | | | |
| 13 | 11013323 | 996530006742 | CHROM.COFFEE DISPENSER SUPPORT MYB9 | | | | | | |
| 14 | 12000897 | 996530007953 | SCREW TCB TORX 10 3,5X20 PLAST.SS | | | | | | |
| 15 | 11013072 | 996530006604 | BLACK SEAL FOR COFFEE DISPENSER MYB9 | | | | | | |
| 16 | 11013013 | 996530006585 | BLACK COFFEE DISPENSER TUBE MYB9 | | | | | | |
| 17 | 12000070 | 996530007732 | OR ORM 0060-15 SILICONE | | | | | | |
| 18 | 12000450 | 996530007819 | SCREW TCB TORX 10 3,5X12 PLAST.ZN-N | | | | | | |
| 19 | 149360200 | 996530018269 | SILICONE TUBE 5X8 70SR IN ROLL | | | | | | |
| 20 | - | 421944002701 | BLK DISPENSER COF.INLET CONNECT.V2 MYB9 | | | | | | |
| 21 | 11012926 | 996530006575 | BLACK COFFEE DISPENSER CONNECTOR MYB9 | | | | | | |



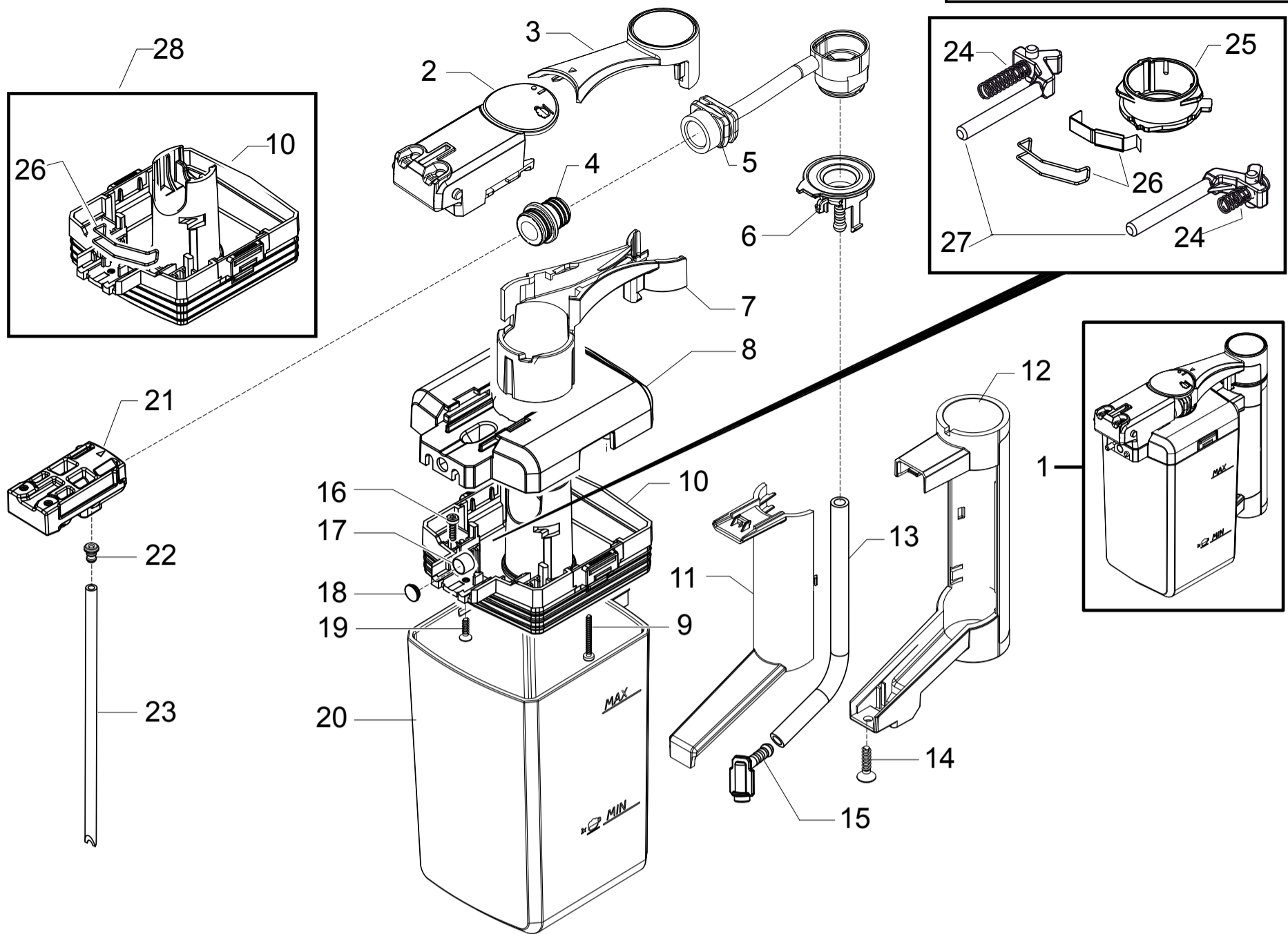


HD8953/01-09-11-19-21
HD8954/01-06-09-47



Cod.10004414-4415-4365-4366-882895321010
Cod.10004367-68-882895406470- 5447540

| POS | CODE | 12NC | DESCRIPTION | NOTE | POS | CODE | 12NC | DESCRIPTION | NOTE |
|-----|--------------|--------------|--|------|-----|------|------|-------------|------|
| 01 | 11013212 | 996530006692 | NAT/GREY WATER CONTAINER MYB9 ASSY. | | | | | | |
| 02 | 11012738 | 996530006509 | BLACK HANDLE WATER CONTAINER LID MYB9 | | | | | | |
| 03 | 140328461 | 996530013571 | OR ORM 0190-10 EPDM | | | | | | |
| 04 | 224640200 | 996530029115 | WHITE WATER CONTAINER EXT.FILTER ASSY. | | | | | | |
| 05 | 140324362 | 996530013507 | OR ORM 0060-30 SILICONE | | | | | | |
| 06 | 126764718 | 996530011626 | SS WATER CONTAINER VALVE SPRING | | | | | | |
| 07 | 147660562 | 996530016894 | GREY PISTON FOR WATER CONTAINER VALVE | | | | | | |
| 08 | 11012736 | 996530006507 | NAT/GREY WATER CONTAINER LID MYB9 | | | | | | |
| 09 | 0701.031.150 | 996530044417 | GREY WATER VALVE GACO DIM 14 SEAL COVER | | | | | | |
| 10 | 145842900 | 996530015823 | NBR WATER CONT.VALVE GACO DIM14 SEAL | | | | | | |
| 11 | 0701.014.150 | 996530044404 | GREY WATER VALVE GACO DIM 14 SEAL CONT. | | | | | | |
| 12 | 140320461 | 996530013446 | OR ORM 0080-20 TERMOIL | | | | | | |
| 13 | 129535721 | 996530012898 | SCREW TSP TORX 10 AB 3,5X9,5 SHEET SS | | | | | | |
| 14 | 17000202 | 996530066734 | NAT/GREY BEAN COFF.CONT.LID V2 MYB9 ASSY | | | | | | |
| 15 | 149213059 | 996530018116 | GREY CAP FOR KNOBS BEAN CONTAINER | | | | | | |
| 16 | 129913902 | 996530013164 | SCREW TCB TORX 10 3X12 PLAST.ZN-B | | | | | | |
| 17 | 17000194 | 996530066733 | BLACK BEAN CONTAINER V2 MYB9 | | | | | | |
| 18 | 11012852 | 996530006551 | BLACK GRIND.ADJUSTMENT KNOB MBY9 | | | | | | |
| 19 | 11022528 | 996530007398 | GREY GRIND.ADJUSTMENT KNOB WASHER MYB9 | | | | | | |
| 20 | 145897300 | 996530016123 | BLK INSERT GRIND.ADJUSTMENT KNOB SMART1 | | | | | | |
| 21 | 11031532 | 996530073385 | SB/SS DRIP TRAY GRATE MYB9/T | | | | | | |
| 22 | 17000147 | 996530066732 | BLACK GRATE SEAL V3 MYB9/H-P | | | | | | |
| 23 | 11022384 | 996530007344 | BLACK DRIP TRAY COVER MYB9/T | | | | | | |
| 24 | 17000001 | 996530009554 | RED FLOAT FOR DRIP TRAY MDS | | | | | | |
| 25 | 17800061 | 996530066741 | 5POLES CONNECTOR MC SENSORS V2 MYB9 UL | | | | | | |
| 26 | 11031531 | 996530073388 | SB/SS-BLACK DRIP TRAY MYB9/T ASSY. | | | | | | |



HD8953/01-09-11-19-21
HD8954/01-06-09-47

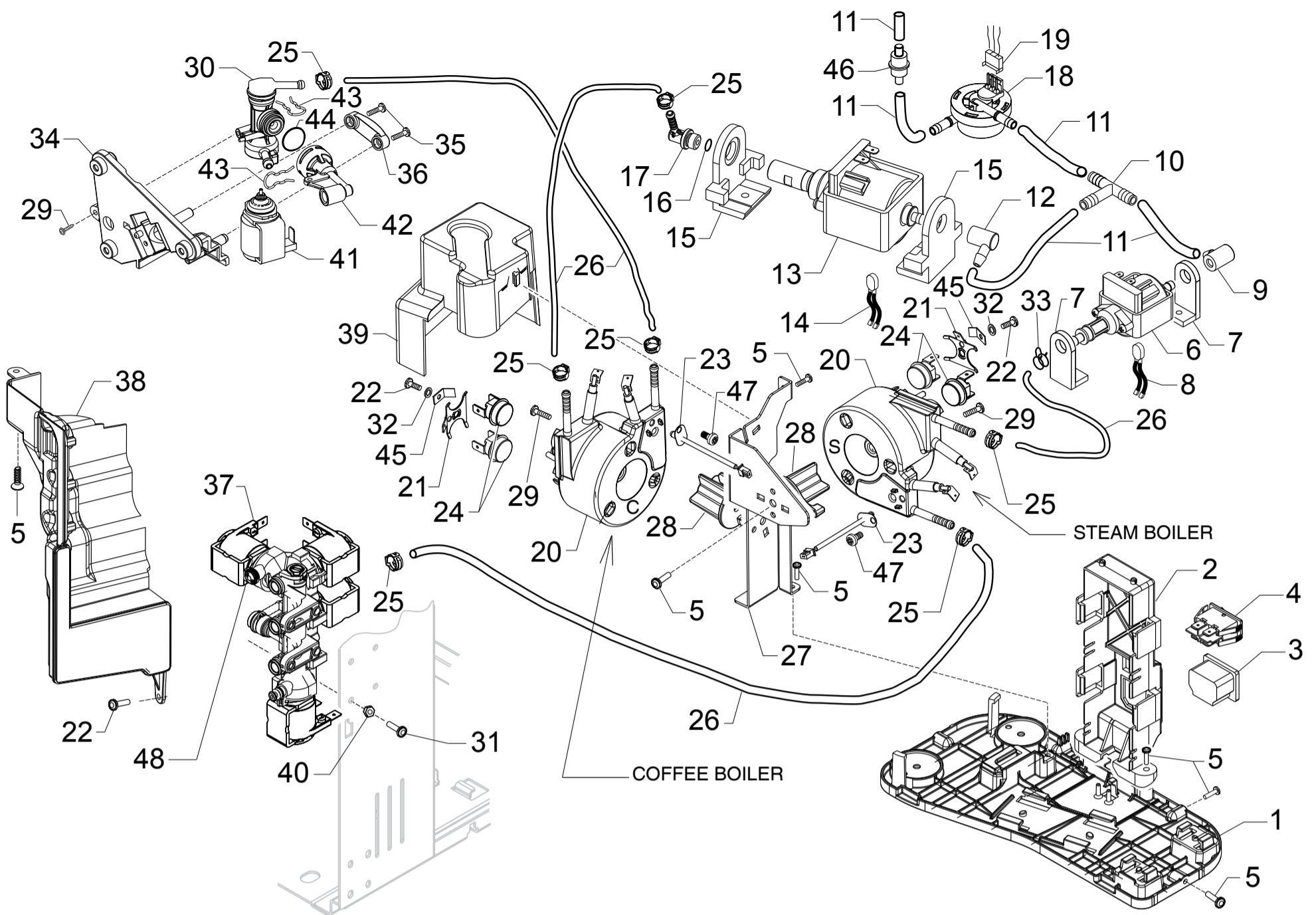


Cod.10004414-4415-4365-4366-882895321010
Cod.10004367-68-882895406470- 5447540

| POS | CODE | 12NC | DESCRIPTION | NOTE | POS | CODE | 12NC | DESCRIPTION | NOTE |
|-----|-----------|--------------|--|---------|-----|------|------|-------------|------|
| 01 | - | 421941300151 | TRANSP/CHROM.GEN.CARAFE MDS/P ASSY. | | | | | | |
| 02 | 11023235 | 996530007599 | CHR.CARAFE CAPP.COVER V2 S/SC.MYB9 ASSY. | | | | | | |
| 03 | - | 421941300231 | CHROM.CARAFE UP.DISP.SUPP.S/S.MDSE ASSY. | | | | | | |
| 04 | 11012812 | 996530006527 | VENTURI TUBE FOR CAPPUCINATORE MYB9 | | | | | | |
| 05 | 17001880 | 996530073248 | BLACK CARAFE MILK DISPENSER TUBE V2 MDSE | | | | | | |
| 06 | 17001564 | 996530072547 | BLACK UPPER TUBE CARAFE CONNECT.MDSE | | | | | | |
| 07 | - | 421941300171 | CHROM.CARAFE LOWER DISPENSER SUPP.MDSE | | | | | | |
| 08 | 11030950 | 996530072575 | MATT/BLACK UPPER COVER PART CARAFE MYB9 | | | | | | |
| 09 | 12000550 | 996530007838 | SCREW TCB TORX 10 3X25 PLAST.SS | | | | | | |
| 10 | 11021893 | 996530007192 | BLACK LOWER COVER PART CARAFE MYB9 ASSY. | | | | | | |
| | - | 421944012821 | BLK LOWER COVER PART CARAFE V2 MYB9 ASSY | | | | | | |
| | | | UP TO S/N 9013381627776 | | | | | | |
| | | | FROM S/N 9013381627777 | | | | | | |
| 11 | - | 421941300271 | CHROM.CARAFE REAR PART HANDLE MDSE | | | | | | |
| 12 | - | 421941300251 | CHROM.CARAFE FRONT PART HANDLE MDS/P | | | | | | |
| 13 | 149360200 | 996530018269 | SILICONE TUBE 5X8 70SR | IN ROLL | | | | | |
| 14 | 129911721 | 996530013137 | SCREW TSP TORX 4X16 PLAST STEEL | | | | | | |
| 15 | 11013164 | 996530006669 | BLACK LOWER TUBE CARAFE CONNECT.MYB9 | | | | | | |
| 16 | 129910921 | 996530013128 | SCREW TCB TORX 10 3X10 SS | | | | | | |
| 17 | 9161.111 | 996530050555 | MAGNET FOR FLOAT SUPERAUT. | | | | | | |
| 18 | 11014016 | 996530006968 | SS.INSERT FOR MAGNET MYB9 | | | | | | |
| 19 | 12000895 | 996530007951 | SCREW TSP TORX 10 3X10 PLAST.SS | | | | | | |
| 20 | 11024104 | 996530007705 | TRANSP.CARAFE V3 S/SCREEN MYB9 | | | | | | |
| 21 | 17000004 | 996530009557 | BLK CARAFE CAPPUCIN.CASING W/CAPS MYB9 | | | | | | |
| 22 | 17001076 | 996530072552 | GREY MILK TUBE CONNECTOR MDSE | | | | | | |
| 23 | 11012814 | 996530067584 | SILICONE TUBE 3,5X6 L=140 MM | | | | | | |
| 24 | 11013765 | 996530006849 | STEEL SPRING FOR CARAFE LEVER MYB9 | | | | | | |
| 25 | 17001728 | 996530072607 | BLACK CAM FOR CARAFE LEVERS MDSE | | | | | | |
| 26 | 11013832 | 996530006873 | CARAFE SPRING WITH INSERT MYB9 ASSY. | | | | | | |
| | | | UP TO S/N 9013381627776 NOT AVAILABLE | | | | | | |
| | | | ORDER PART 28 | | | | | | |
| | - | 421944007011 | SS SPRING V2 FOR CARAFE MYB9 | | | | | | |
| | | | FROM S/N 9013381627777 | | | | | | |
| 27 | 17000131 | 996530067459 | BLACK LEVER FOR CARAFE CAM V3 MYB9 | | | | | | |
| 28 | - | 421940813091 | KIT SPARES LOW.COVER PART CARAFE V2 MYB9 | | | | | | |



XELSIS EVO



HD8953/01-09-11-19-21
HD8954/01-06-09-47

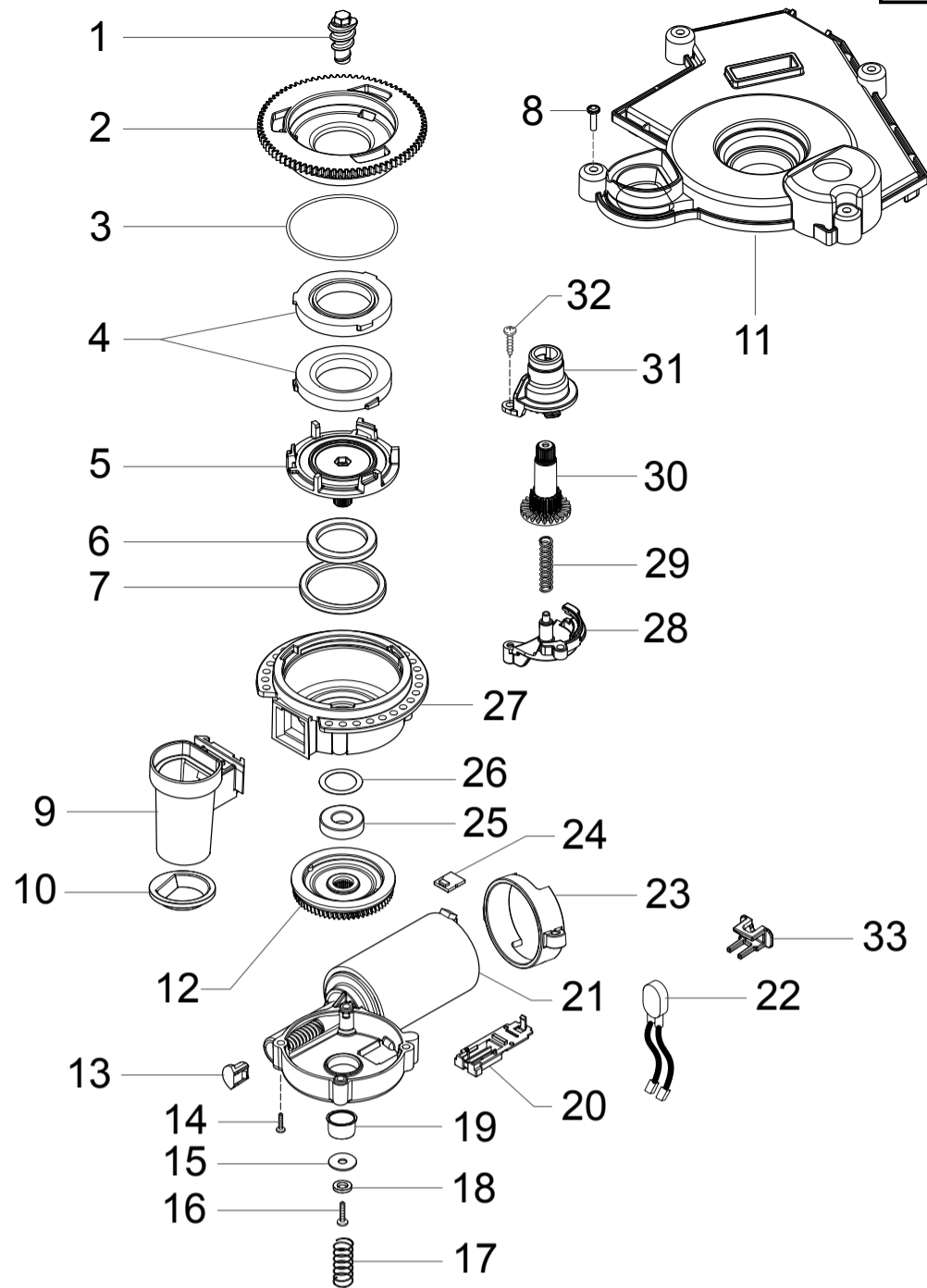


Cod.10004414-4415-4365-4366-882895321010
Cod.10004367-68-882895406470- 5447540

| POS | CODE | 12NC | DESCRIPTION | NOTE | POS | CODE | 12NC | DESCRIPTION | NOTE |
|-----|-----------|--------------|--|---------------|-----|-----------|--------------|--|------------|
| 01 | 11012205 | 996530006316 | BLACK COMPONENTS SUPPORT MYB9 | | 32 | 128310402 | 996530012341 | GALV.WASHER UNI 8842 A4 | |
| 02 | 11012412 | 996530006399 | BLACK SOCKET-SWITCH SUPPORT MYB9 | | 33 | 184320200 | 996530025907 | SPRING HOSE CLAMP D=9,5MM | |
| | 11023406 | 996530007626 | BLACK SOCKET-SWITCH SUPPORT MYB9 UL | UL | 34 | 11012206 | 996530006317 | BLACK BLOWDOWN VALVE SUPPORT MYB9 | |
| 03 | 12001883 | 996530072437 | CUP SOCKET V3 EN 60320 C 13 | | 35 | 129913902 | 996530013164 | SCREW TCB TORX 10 3X12 PLAST.ZN-B | |
| | 12001645 | 996530069782 | CUP SOCKET V2 EN 60320 C 13 | UL | 36 | 11013711 | 996530006834 | BLACK VALVE FIXING FLANGE MYB9 | |
| 04 | NE03.038 | 996530058836 | BIPOLAR SWITCH FUSIT C1250AR | | 37 | 11031553 | 996530073381 | DIFFUSER VALVE MYBE ASSY. | |
| 05 | 12000450 | 996530007819 | SCREW TCB TORX 10 3,5X12 PLAST.ZN-N | | 38 | 11013528 | 996530006802 | BLACK DIFFUSER PROTECT.VALVE MYB9 ASSY. | |
| 06 | 12001212 | 996530008003 | ULKA PUMP MF 230V-50HZ | 230V-50HZ | 39 | 17000042 | 996530067913 | BLK COFF. BOILER INSULATING COVER MYB9/P | |
| | 12001346 | 996530008028 | ULKA PUMP MF 120V-60HZ | 120V-60HZ | 40 | U302.003 | 996530062065 | GALV.NUT HEXAGONAL M4 UNI 5588 | |
| | 12001348 | 996530008031 | ULKA PUMP MF 220V-50/60HZ | 220V-50/60HZ | 41 | 20000590 | 996530009859 | BLOWDOWN VALVE COIL P0049 ASSY. | 230V |
| 07 | 11012194 | 996530006315 | BLACK/SBR ULKA MF PUMP SUPPORT | | | 20000680 | 996530009874 | BLOWDOWN VALVE COIL P0049 120V ASSY. | 120V |
| 08 | 11013116 | 996530006631 | 2POLES CONNECTOR STEAM PUMP MYB9 UL | | | 20000920 | 996530009914 | BLOWDOWN VALVE COIL P0049 220V-60HZ ASSY | 220V |
| 09 | 11012193 | 996530006314 | 90° INLET CONNECTOR FOR PUMP ULKA MF | | 42 | 11007565 | 996530004421 | BLACK BLOWDOWN VALVE CONNECTOR V2 P0049 | |
| 10 | 147920300 | 996530017351 | TRANS.CONNECTOR D=8 ART.80.26.047 KA.461 | | 43 | 11005096 | 996530002744 | SS FORK SPRING FOR BLOWDOWN VALVE P0049 | |
| 11 | JS01.022 | 996530057357 | SILICONE TUBE 5X10 60SH | IN ROLL | 44 | 12000620 | 996530007856 | OR ORM 0130-20 EPDM | |
| 12 | 147920150 | 996530017348 | 90° INLET PUMP CONNECTOR | | 45 | 124390520 | 996530011326 | BRASS BENT FASTON 45° 6,3X0,8 | |
| 13 | | 421941305991 | ULKA PUMP EP5FMGW 230V-50HZ | 230V-50HZ | 46 | 144650300 | 996530015428 | ASPIRATION FILTER GAUZE NET 500 (NEW) | |
| | | 12000142 | ULKA PUMP EAP5/S 120V-60HZ | 120V-60HZ | 47 | 12001715 | 996530069758 | SCREW TCB TORX 20 M4X8 AUTOFORMING ZN-B | |
| | | 12000182 | ULKA PUMP EP5/S GW 220V-60HZ | 220V-60HZ | 48 | 11013825 | 996530006868 | BLACK MILK-AIR FLOW SELECTOR MYB9 | |
| 14 | 11013076 | 996530006607 | 2POLES CONNECTOR COFFEE PUMP MYB9 UL | | | 11006995 | 996530003974 | BLOWDOWN VALVE V2 MYB9 ASSY. | 230V |
| 15 | 11022857 | 996530007468 | BLACK PUMP SUPPORT GMYB | | | | | WITH PART. N°30-41-42-43-44 | |
| 16 | 140321961 | 996530013471 | O-RING 2031 TERMOIL | | | 11022038 | 996530007215 | BLOWDOWN VALVE V2 MYB9 120V ASSY. | 120V |
| 17 | 11001054 | 996530000624 | BLK PUMP OUTLET 90°CONNECTOR P0049/B | | | | | WITH PART. N°30-41-42-43-44 | |
| 18 | 12000781 | 996530007887 | TURBINE D=1,2 932-8521/90 ASSY. | | | 11021989 | 996530007212 | BLOWDOWN VALVE V2 MYB9 220V-60HZ ASSY. | 220V |
| 19 | 11013122 | 996530006635 | 6POLES CONNECTOR FLOWMETER MYB9 UL | | | | | WITH PART. N°30-41-42-43-44 | |
| 20 | 11013735 | 996530006841 | SLIM TUB.BOILER ASSY. | 230V-1300W | | 11026313 | 996530067955 | SLIM TUB.BOIL.C2 T190°-190° AS | 230V-1300W |
| | 11023153 | 996530007586 | SLIM TUB.BOILER 1300W 120V ASSY. | 120V-1300W | | | | WITH PART. N°20-21-22-23-24-32-45 | |
| 21 | 11001751 | 996530000997 | TUB.BOILER V3 UPPER THERM.FIXING SPRING | | | | | UP TO S/N TU901318072649 | |
| 22 | 129573402 | 996530012923 | SCREW TAPT M4X10 DIN 7985 GALV | | | | | SLIM TUB.BOIL.C2 T150-204 1300W 230V AS | 230V-1300W |
| 23 | 190800100 | 996530026997 | TEMPERATURE SENSOR NTC UL L=280MM | | | | 421941302131 | WITH PART. N°20-21-22-23-24-32-45 | |
| 24 | 12001033 | 996530007973 | THERMOSTAT ONE SHOT 190° | | | | | FROM S/N TU901318072650 | |
| | | 421940812991 | KIT SPARES COFFEE BOILER THERMOSTATS | COFFEE BOILER | | | | SLIM TUB.BOIL.C2 T170-204 1300W 230V AS | 230V-1300W |
| | | | FROM S/N TU901318072650 | | | | | WITH PART. N°20-21-22-23-24-32-45 | |
| | | 421940813001 | KIT SPARES STEAM BOILER THERMOSTATS | STEAM BOILER | | | | FROM S/N TU901318072650 | |
| 25 | 12000892 | 996530007947 | OETIKER CLAMP D=9,5 16700004 | | | | | SLIM TUB.BOIL.C2 T150-204 1300W 120V AS | 120V-1300W |
| 26 | 16000380 | 996530009505 | 5X8,9 SILICONE TUBE | IN ROLL | | | | WITH PART. N°20-21-22-23-24-32-45 | |
| 27 | 17000143 | 996530067888 | STEEL SLIM TUB.BOILER SUPPORT MYB9 | | | | | SLIM TUB.BOIL.C2 T170-204 1300W 120V AS | 120V-1300W |
| 28 | 11023282 | 996530007608 | BLACK SLIM TUB.BOILERS SUPPORT MYB9 | | | | | WITH PART. N°20-21-22-23-24-32-45 | |
| 29 | 12001369 | 996530008039 | SCREW TSP TORX 10 5X35 PLAST.SS | | | | | SLIM TUB.BOIL.C2 T170-204 1300W 120V AS | 120V-1300W |
| 30 | 20006558 | 996530010201 | BLOWDOWN VALVE CASING MYB9 ASSY. | | | | | WITH PART. N°20-21-22-23-24-32-45 | |
| 31 | 129914302 | 996530013168 | SCREW TORX M4X10 TESTA D=8X1,5 GALV | | | | | | |



XELSIS EVO



HD8953/01-09-11-19-21
HD8954/01-06-09-47

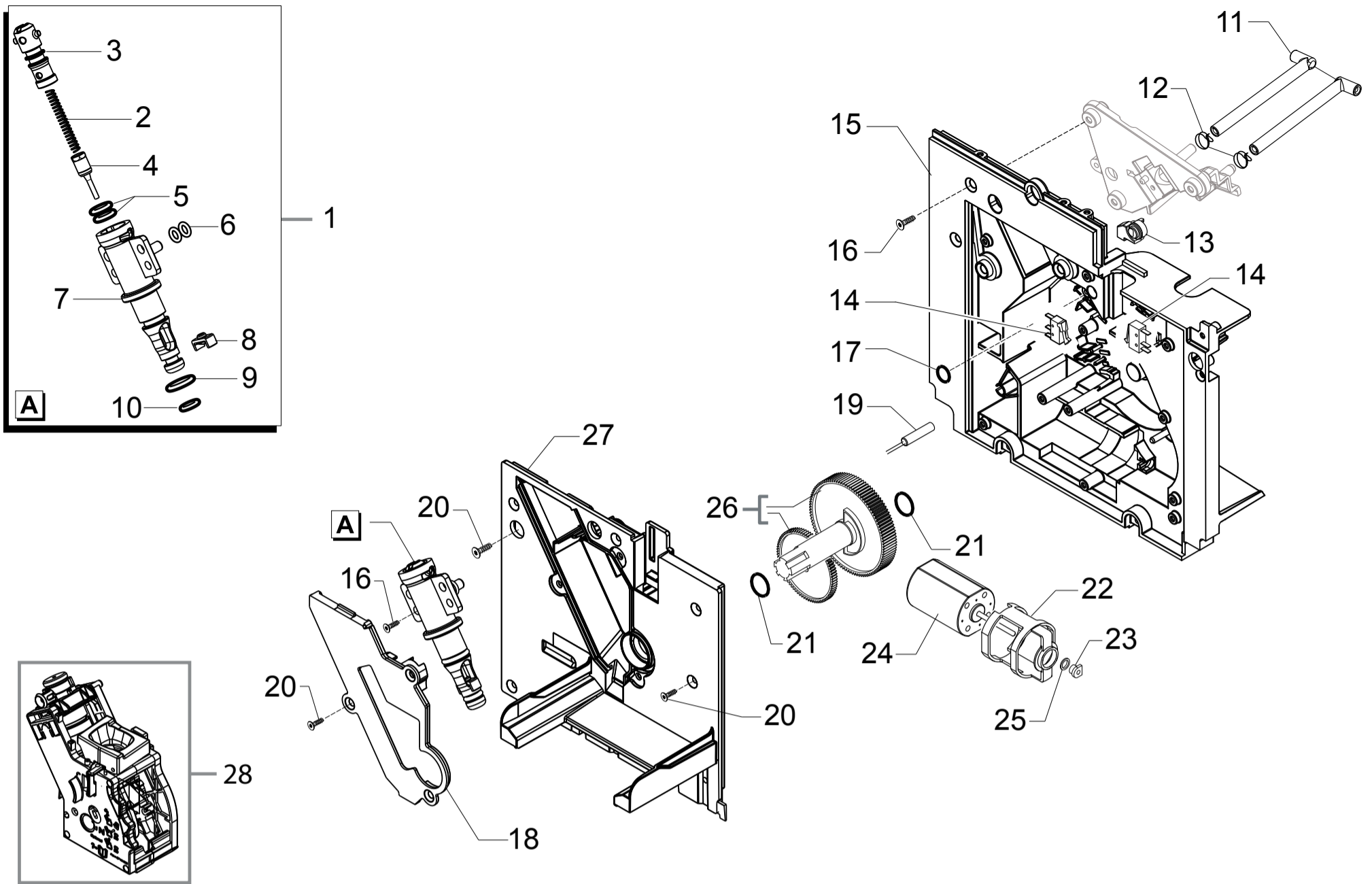


Cod.10004414-4415-4365-4366-882895321010
Cod.10004367-68-882895406470- 5447540

| POS | CODE | 12NC | DESCRIPTION | NOTE | POS | CODE | 12NC | DESCRIPTION | NOTE |
|-----|-----------|--------------|--|------|-----|------|------|-------------|------|
| 01 | 11011205 | 996530005991 | TEA ZAMA INCREASE SCREW GRINDER | | | | | | |
| 02 | - | 421941094152 | BLK COF.GRINDER UPPER GRINDER SUPPORT V2 | | | | | | |
| 03 | 140328960 | 996530013577 | OR ORM 0530-15 NBR FDA | | | | | | |
| 04 | 146520100 | 996530016342 | BAKED CLAY GRINDER 48X28 | | | | | | |
| 05 | 149198350 | 996530017952 | BLK LOWER COFFEEGRINDER GRINDER SUPPORT | | | | | | |
| 06 | 123030300 | 996530011183 | AXIAL BEARING EKKO 342.35252 | | | | | | |
| 07 | 140360500 | 996530013597 | FELT RING 45,4X39,4X4 | | | | | | |
| 08 | 12000450 | 996530007819 | SCREW TCB TORX 10 3,5X12 PLAST.ZN-N | | | | | | |
| 09 | 11026355 | 996530068049 | BLK GROUND COFF.OUTLET CONVEYOR V4 ASSY. | | | | | | |
| 10 | 11030459 | 996530072511 | GRY GROUND COFFEE CONT.LOWER SEAL SMART1 | | | | | | |
| 11 | 11012856 | 996530006555 | COFFEE GRINDER SOUNDPROOFING COVER MYB9 | | | | | | |
| 12 | 226000300 | 996530029609 | GEAR SX Z=38 FOR GRINDER MOTION ASSY. | | | | | | |
| 13 | 149214800 | 996530018139 | MC V3 MOD=1,25 WORM SCREW CENTRING CAP | | | | | | |
| 14 | 129661702 | 996530012992 | SCREW TCB TORX 3,5X30 PLAST.ZN-B | | | | | | |
| 15 | 128381902 | 996530012375 | STEEL FLAT WASHER DI=4,3 DE=14 SP=1,5 | | | | | | |
| 16 | 129574802 | 996530012928 | SCREW TCB TORX 20 M4X30 ZN-B | | | | | | |
| 17 | 11000597 | 996530000376 | STEEL COF.GRINDER SUPPORT SPRING P124 | | | | | | |
| 18 | 128310402 | 996530012341 | GALV.WASHER UNI 8842 A4 | | | | | | |
| 19 | 11002873 | 996530001389 | INSULATOR BUSH FOR GRINDER MOTOR P124 | | | | | | |
| 20 | 149199050 | 996530017963 | BLK SENSOR SUPPORT FOR COF.GRINDER MOTOR | | | | | | |
| 21 | 11000513 | 996530000317 | MOTOR COFFEEGRINDER V3.1 230V ASSY. | 230V | | | | | |
| | 11000511 | 996530000315 | MOTOR COFFEEGRINDER V3.1 120V ASSY. | 120V | | | | | |
| 22 | 11013079 | 996530006611 | 2POLES CONNECTOR GRINDER MOTOR MYB9 UL | | | | | | |
| 23 | 11000194 | 996530000115 | BLACK COFFEEGRINDER MOTOR SUPPORT P124 | | | | | | |
| 24 | 181540900 | 996530022784 | ELECTR.BOARD WITH SENSOR HAL506 SF-K | | | | | | |
| 25 | 123030200 | 996530011182 | RADIAL BEARING 61900.2RS1 | | | | | | |
| 26 | 128381800 | 996530012374 | STEEL CRINKLE WASHER 21,8X14X0,25 | | | | | | |
| 27 | 142905450 | 996530015258 | BLK UPPER BODY WITH COFFEE GROUND OUTLET | | | | | | |
| 28 | 149199850 | 996530017976 | LOWER GEAR SUPPORT COFFEEGRINDER SMART | | | | | | |
| 29 | 126772918 | 996530011715 | SPRING FOR ADJUSTMENT GRINDING GEAR | | | | | | |
| 30 | 146002150 | 996530016264 | COFFEE GRINDING ADJUSTMENT GEAR SMART | | | | | | |
| 31 | 149199750 | 996530017975 | UPPER GEAR SUPPORT COFFEEGRINDER SMART | | | | | | |
| 32 | 129914002 | 996530013165 | SCREW TCB TORX 10 3,5X16 PLAST.ZN-B | | | | | | |
| 33 | 17001921 | 996530072477 | BLK WIRING FIX INSERT FOR GRINDER BOARD | | | | | | |
| | 11013147 | 996530006652 | GEN.MOTOR COFFEE GRINDER MYB9 230V ASSY. | 230V | | | | | |
| | 11022036 | 996530007214 | GEN.COF.GRINDER MOTOR MYB9 120V ASSY. | 120V | | | | | |



XELSIS EVO



HD8953/01-09-11-19-21
HD8954/01-06-09-47

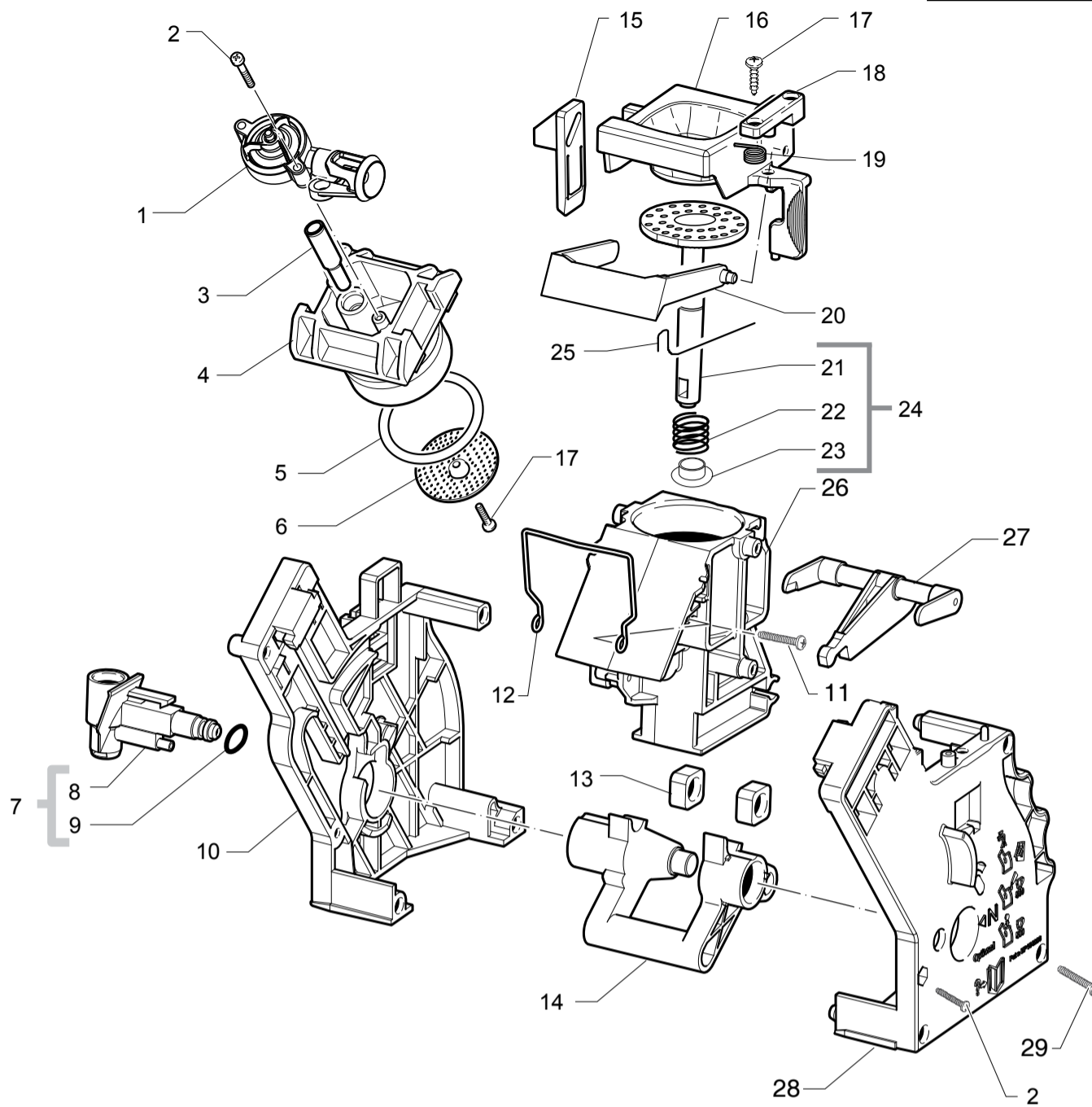


Cod.10004414-4415-4365-4366-882895321010
Cod.10004367-68-882895406470- 5447540

| POS | CODE | 12NC | DESCRIPTION | NOTE | POS | CODE | 12NC | DESCRIPTION | NOTE |
|-----|-----------|--------------|--|------|-----|------|------|-------------|------|
| 01 | 11005060 | 996530002717 | PIN V2 FOR BOILER P119 ASSY. | | | | | | |
| 02 | 9011.132 | 996530048874 | SS SPRING FOR PIN | | | | | | |
| 03 | 11003820 | 996530001932 | BLACK CAP V2 FOR PIN BOILER P119 | | | | | | |
| 04 | 11009019 | 996530005183 | TEA/BRASS PISTON L=20,9 ASSY. | | | | | | |
| 05 | 140324459 | 996530013508 | OR ORM 0060-20 SILICONE PTFE/FDA | | | | | | |
| 06 | 140328059 | 996530013564 | OR 2015 SILICONE PTFE/FDA | | | | | | |
| 07 | 11003801 | 996530001926 | NAT.PIN V2 FOR BOILER P119 | | | | | | |
| 08 | 11005099 | 996530002747 | NATURAL CURSOR V2 FOR BOILER P119 | | | | | | |
| 09 | NM01.035 | 996530059399 | OR ORM 0090-20 SILICONE | | | | | | |
| 10 | NM01.057 | 996530059419 | OR ORM 0050-20 IN SILICONE | | | | | | |
| 11 | 11012337 | 996530006375 | WATER DRAIN CONNECTOR MYB9 | | | | | | |
| 12 | NV99.087 | 996530059836 | BAND D=11/11,6 | | | | | | |
| 13 | 11013514 | 996530006796 | BLACK MOUNTING PLATE COVER SEAL MYB9 | | | | | | |
| 14 | NE05.038 | 996530058869 | MICROSWITCH SAIA XCG5-81-P5 | | | | | | |
| 15 | 11030108 | 996530072933 | BLK MOUNTING PLATE WITH PIN V2 P119 ASSY | | | | | | |
| 16 | 12000450 | 996530007819 | SCREW TCBR TORX 10 3,5X12 PLAST.ZN-N | | | | | | |
| 17 | 140325462 | 996530013526 | OR ORM 0070-20 SILICONE | | | | | | |
| 18 | 142856550 | 996530015064 | BLACK COVER FOR BOILER VAIN P119 | | | | | | |
| 19 | 11003661 | 996530001819 | REED SENSOR MK3-1A66-BV16451 | | | | | | |
| 20 | | 421944016781 | SCREW TSP TORX 10 3,5X14 PLAST.ZN-NI | | | | | | |
| 21 | 9161.132 | 996530050569 | MYLAR WASHER FOR RATIOMOTOR | | | | | | |
| 22 | 9121.044 | 996530049896 | ANTIVIBRATION FOR MOTOR | | | | | | |
| 23 | 9121.046 | 996530049898 | BRONZE SINTERED BUSH FOR MOTOR RATIOMOT. | | | | | | |
| 24 | 11005214 | 996530002796 | MOTOR FOR RATIOMOTOR P124 ASSY. | | | | | | |
| 25 | 148380200 | 996530017424 | BAKELIZZATE WASHER D=5,5 | | | | | | |
| 26 | 20000900 | 996530009913 | SPARES KIT GEARS FOR RATIOMOTOR V2 | | | | | | |
| 27 | | 421944036281 | REW.BLACK MOUNTING PLATE COVER MYB9 | | | | | | |
| 28 | | 421944037611 | BLK BREW UNIT 8GR.SBS V2 MYB9 | | | | | | |



XELSIS EVO



HD8953/01-09-11-19-21
HD8954/01-06-09-47



Cod.10004414-4415-4365-4366-882895321010
Cod.10004367-68-882895406470- 5447540

| POS | CODE | 12NC | DESCRIPTION | NOTE | POS | CODE | 12NC | DESCRIPTION | NOTE |
|-----|--------------|--------------|--|------|-----|------|------|-------------|------|
| 01 | 11002154 | 996530001192 | SBS VALVE P124 ASSY. | | | | | | |
| 02 | 12000550 | 996530007838 | SCREW TCB TORX 10 3X25 PLAST.SS | | | | | | |
| 03 | 11009276 | 996530005372 | BLK COUNTER PISTON TUBE BREW UNIT S0053 | | | | | | |
| 04 | 11001840 | 996530001046 | BLACK COUNTER PISTON BREW UNIT 8GR.P124 | | | | | | |
| 05 | NM01.044 | 996530059406 | OR ORM 0320-40 SILICONE PTFE/FDA | | | | | | |
| 06 | 9161.268 | 996530050709 | PERCOLATOR DE=35,8 ELFO | | | | | | |
| 07 | 20000440 | 996530009825 | BLACK WATER INLET SLEEVE BREW UNIT ASSY. | | | | | | |
| 08 | 9161.064.050 | 996530050488 | BLACK WATER INLET SLEEVE BREW UNIT ROYAL | | | | | | |
| 09 | NM02.007 | 996530059441 | OR 2025 IN TERMOIL | | | | | | |
| 10 | 9161.375.050 | 996530050832 | BLACK BREW UNIT REAR PLATE SMART | | | | | | |
| 11 | 129912521 | 996530013148 | SCREW TCB TORX 10 3,5X14 PLAST.SS | | | | | | |
| 12 | 11001556 | 996530000898 | SS BREW UNIT SPRING H=49 SMART | | | | | | |
| 13 | 9161.094.050 | 996530050539 | BLACK BREW UNIT DRILLED BLOCK | | | | | | |
| 14 | 9161.066.050 | 996530050492 | BLACK BREW UNIT ELBOW SHAFT M5000 | | | | | | |
| 15 | 9161.373.050 | 996530050827 | BLACK BREW UNIT COUPLING PLATE SMART | | | | | | |
| 16 | 149261350 | 996530018241 | BLACK HOPPER DOSER BREW UNIT SMART1 | | | | | | |
| 17 | 12000895 | 996530007951 | SCREW TSP TORX 10 3X10 PLAST.SS | | | | | | |
| 18 | 9161.374.050 | 996530050829 | BLK BREWUNIT HOPPER BLOCKING PLATE SMART | | | | | | |
| 19 | 9161.378 | 996530050838 | SS HOPPER SPRING FOR BREW UNIT SMART | | | | | | |
| 20 | 11004161 | 996530002096 | BLACK SCRAPER FOR BREW UNIT M5000 | | | | | | |
| 21 | | 421944025621 | BLK BREW UNIT INTEGR.PISTON 8GR.V3 ASSY. | | | | | | |
| 22 | 9161.198 | 996530050627 | SS.8GR.BREW UNIT PISTON SPRING | | | | | | |
| 23 | 9161.191 | 996530050618 | WHITE 8GR.-12GR.BREW UNIT PISTON BUSH | | | | | | |
| 24 | | 421944029791 | BLK BREW UNIT 8GR.INT.PISTON GEN.V3 ASSY | | | | | | |
| 25 | 9161.046 | 996530050455 | SS SCRAPER SPRING FOR BREW UNIT | | | | | | |
| 26 | 11003075 | 996530001448 | BLACK COFFEE CONTAINER BREW UNIT P124 | | | | | | |
| 27 | 11003078 | 996530001452 | BLACK CONNECTING ROD BREW UNIT 8GR. | | | | | | |
| 28 | 11005920 | 996530003228 | BLACK BREW UNIT FRONT PLATE S/SCR.SMART | | | | | | |
| 29 | 12000897 | 996530007953 | SCREW TCB TORX 10 3,5X20 PLAST.SS | | | | | | |
| | | 421944037611 | BLK BREW UNIT 8GR.SBS V2 MYB9 | | | | | | |



XELSIS EVO