

HD8964/01-05-08-47  
 HD8965/01 HD8966/01-05-06  
 HD8966/08-11-13-16-47

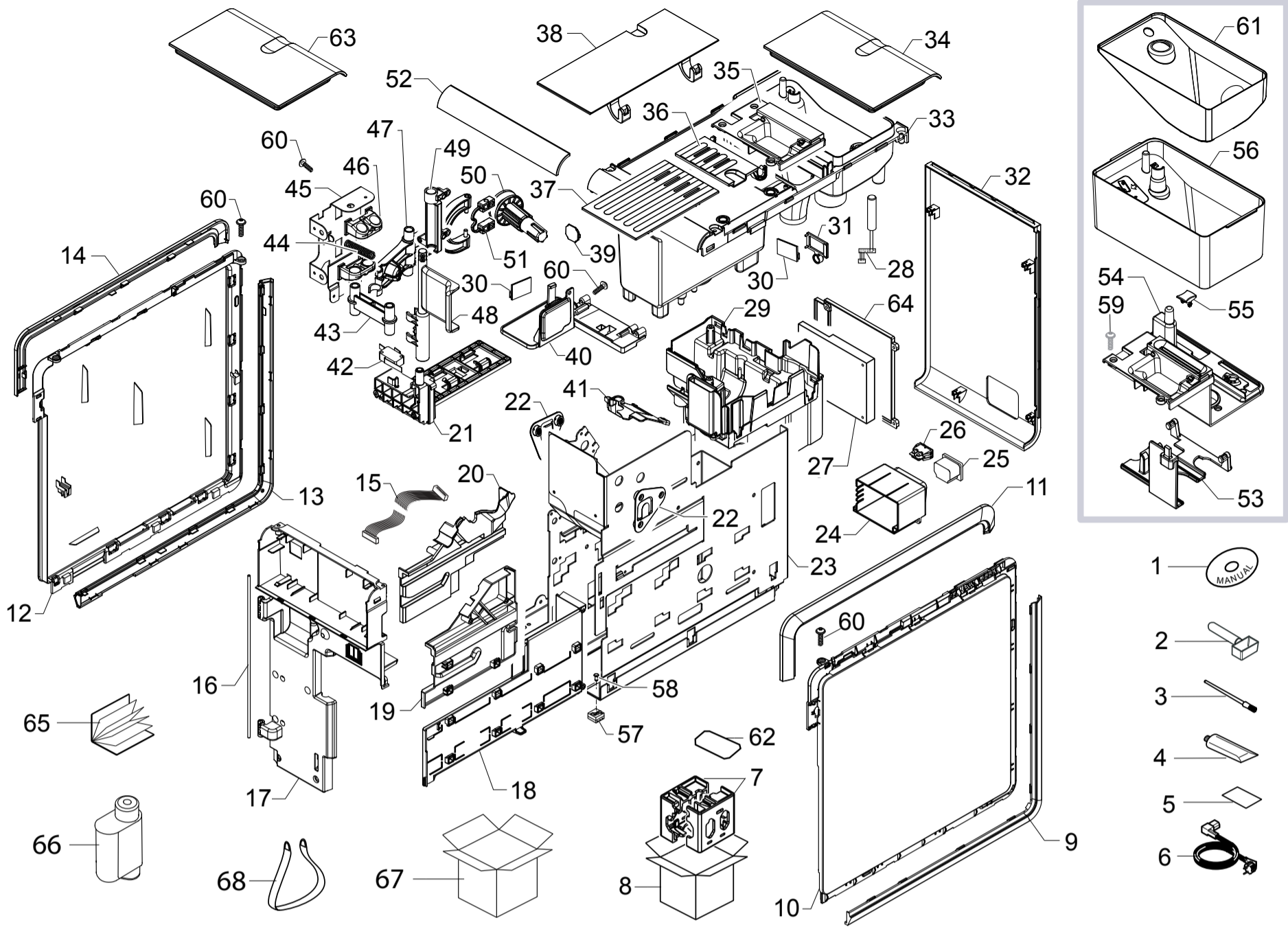


Cod. 10004234-882896405710-6408150-6447540  
 Cod. 882896501010-10004434-882896605710-6606470  
 Cod. 882896608150-6611010-6613530-6616660-6647540

| POS | CODE      | 12NC         | DESCRIPTION                              | NOTE | POS | CODE     | 12NC         | DESCRIPTION                              | NOTE          |
|-----|-----------|--------------|--|------|-----|----------|--------------|--|---------------|
| 01  |           | 421940437791 | DOCUMENTAT.CD CST GRANBARISTO ASSY.      |      | 22  | 17001762 | 996530073758 | BLACK INSERT FOR PISTON UNIT CST         |               |
| 02  |           | 421944033301 | BLK ABS COFFEE MEASURE SMART             |      | 23  | 11030036 | 996530073758 | BLACK STEEL CASING CST ASSY.             |               |
| 03  | 127390100 | 996530011867 | BRUSH FOR CLEANING                       |      | 24  | 17001717 | 996530073756 | BLACK SOCKET-SWITCH SUPPORT CST          |               |
| 04  |           | 421946017941 | KLUBERLUB NH1 11-222 TUBE 5GR.           |      | 25  | 12001883 | 996530072437 | CUP SOCKET V3 EN 60320 C 13              |               |
| 05  | 0301.961  | 996530039604 | STICKER FOR WATER HARDNESS TEST          |      | 26  |          | 242212625104 | SWI POW 2P 12A 250V FASTON GP12H B       |               |
| 06  |           | 421946001591 | BLK POWER CABLE SCHUKO L=800             |      |     |          | 242212625106 | SWI POW 2P 10A 250V FASTON 8500 B        | USA           |
|     | 183970350 | 996530025882 | BLK POWER CABLE UK L=1200                |      | 27  | 11027377 | 996530073843 | PWR+SW CST/T ASSY.                       | 230V          |
|     | 183940650 | 996530025872 | BLACK POWER CABLE AUSTRALIA L=1200       |      |     |          | 421941306561 | PWR+SW CST/T 120V ASSY.                  | 120 V         |
|     | 183921950 | 996530025843 | BLK POWER CABLE SJT3 USA UL L=1200       |      | 28  |          | 421946000711 | 2POLES CONN.SENS.REED COF.CONTAIN.CST UL |               |
|     | 11004247  | 996530002167 | BLK POWER CABLE RVV 3X1 CHINA L=1200     |      | 29  | 17001682 | 996530073738 | BLACK HORIZONTAL MOUNTING PLATE CST      |               |
|     | 11001985  | 996530001089 | BLK POWER CABLE KOREA L=1200             |      |     |          | 421941305521 | BLK HORIZONTAL MOUNTING PLATE CST UL     | USA           |
|     | 11004246  | 996530002166 | BLK POWER CABLE TAIWAN HVCTF L=1200      |      | 30  |          | 421941306721 | CPU+SW WATER LEVEL SENSOR V3 ASSY.       |               |
| 07  |           | 421940813021 | KIT PS-E INSERT FOR BOX CST              |      | 31  | 17001719 | 996530073734 | BLK CAPACIT.SENSOR LOCKING INSERT CST    |               |
| 08  |           | 421940312091 | DISPL.BOX CST SAE COFFEE ST EU           |      | 32  | 17001699 | 996530073692 | REAR CASING COVER CST                    |               |
|     |           | 421944025651 | DISPL.BOX CST SAE GRANBARISTO USA        |      |     |          | 421941302031 | WHT REAR CASING COVER CST                |               |
| 09  |           | 421941301721 | BLK RIGHT SIDE CASING LOWER FRAME CST    |      | 33  |          | 421944000241 | BLK COVER CASING CST/B                   | BASE / BLK    |
|     |           | 421941301801 | CHROM.RIGHT SIDE CASING LOWER FRAME CST  |      |     |          | 421941286552 | WHT COVER CASING V2 CST/HM               | MID/SS WHITE  |
| 10  |           | 421944025101 | BLK RIGHT SIDE CASING COVER V2 CST       |      |     |          | 421944012611 | BLK COVER CASING CST/BM                  | BASE / SS BLK |
|     |           | 421944026121 | WHT RIGHT SIDE CASING COVER V2 CST       |      |     |          | 421944012582 | BLK COVER CASING V2 CST/HM               | MID/SS BLK    |
| 11  |           | 421941301691 | BLK RIGHT SIDE CASING UPPER FRAME CST    |      |     |          | 421944032741 | BLK COVER CASING S/SCR.CST/B             | HD8964/47     |
|     |           | 421941301771 | CHROM.RIGHT SIDE CASING UPPER FRAME CST  |      | 34  | 17002069 | 996530073703 | NAT/GRY BEAN COF.CONTAINER LID CST ASSY. |               |
| 12  |           | 421944025121 | BLK LEFT SIDE CASING COVER V2 CST        |      | 35  |          | 421944000231 | BLK CASING INSIDE COVER PLATE CST        |               |
|     |           | 421944026131 | WHT LEFT SIDE CASING COVER V2 CST        |      | 36  | 17001446 | 996530073769 | BLACK GROUND CONTAINER DOOR CST          |               |
| 13  |           | 421941301711 | BLK LEFT SIDE CASING LOWER FRAME CST     |      |     |          | 421941302061 | WHT GROUND CONTAINER DOOR CST            |               |
|     |           | 421944026101 | CHROM.LOWER LEFT FRAME CASING V2 CST     |      | 37  | 17001779 | 996530073777 | BLACK CUP WARMING LID CST/H              |               |
| 14  |           | 421941301701 | BLK LEFT SIDE CASING UPPER FRAME CST     |      |     |          | 421941302041 | WHT CUP WARMING LID CST                  |               |
|     |           | 421941301781 | CHROM.LEFT SIDE CASING UPPER FRAME CST   |      | 38  | 17001447 | 996530073783 | BLACK WATER CONTAINER DOOR CST/H         |               |
| 15  | 17800579  | 996530073759 | 10POLES CPU-PWR FLAT CABLE CST           |      |     |          | 421941302081 | WHT WATER CONTAINER DOOR CST             |               |
| 16  | 17001864  | 996530073751 | STEEL PIN FOR DOOR HINGE CST             |      | 39  | 17000363 | 996530009605 | TRANSP.INFRAREDS PLATE MDS               |               |
| 17  | 17001723  | 996530073751 | BLACK DISPLAY SUPPORT CST                |      | 40  | 17001718 | 996530073744 | BLACK REAR COMPONENTS SUPPORT CST        |               |
|     |           | 421944026431 | BLK DOOR SUPPORT V2 CST                  |      | 41  | 17001763 | 996530073747 | BLK HORIZONT.MOUNTING PLATE PROTECT.CST  |               |
|     |           |              | <b>TO S/N TU901419067670</b>             |      | 42  | 12001890 | 996530073209 | MICROSWITCH XG/V3D                       |               |
|     |           |              | <b>FROM S/N TU901419067671</b>           |      | 43  | 17001692 | 996530073754 | BLACK BREW UNIT TRANSMIS.GRAT JOINT CST  |               |
| 18  | 17000789  | 996530073715 | BLACK BREW UNIT RIGHT SUPPORT PLATE CST  |      | 44  |          | 421944007771 | SS BREW UNIT TRANSMIS.LEVER SPRING CST   |               |
| 19  | 17000790  | 996530073731 | BLACK BREW UNIT RIGHT COUPLING PLATE CST |      | 45  | 17001490 | 996530073761 | STEEL LEVER SUPPORT PLATE CST            |               |
| 20  |           | 421941280202 | BLK BREW UNIT LEFT COUPLING PLATE V2 CST |      | 46  | 17001691 | 996530073721 | BLK BREW UNIT TRANSMISS.LEVER SUPP.CST   |               |
| 21  | 17001701  | 996530073743 | BLACK FRONT COMPONENTS SUPPORT CST       |      | 47  | 17001781 | 996530073786 | BLK BREW UNIT TRANSMIS.LEVER CST ASSY.   |               |



GRANBARISTO



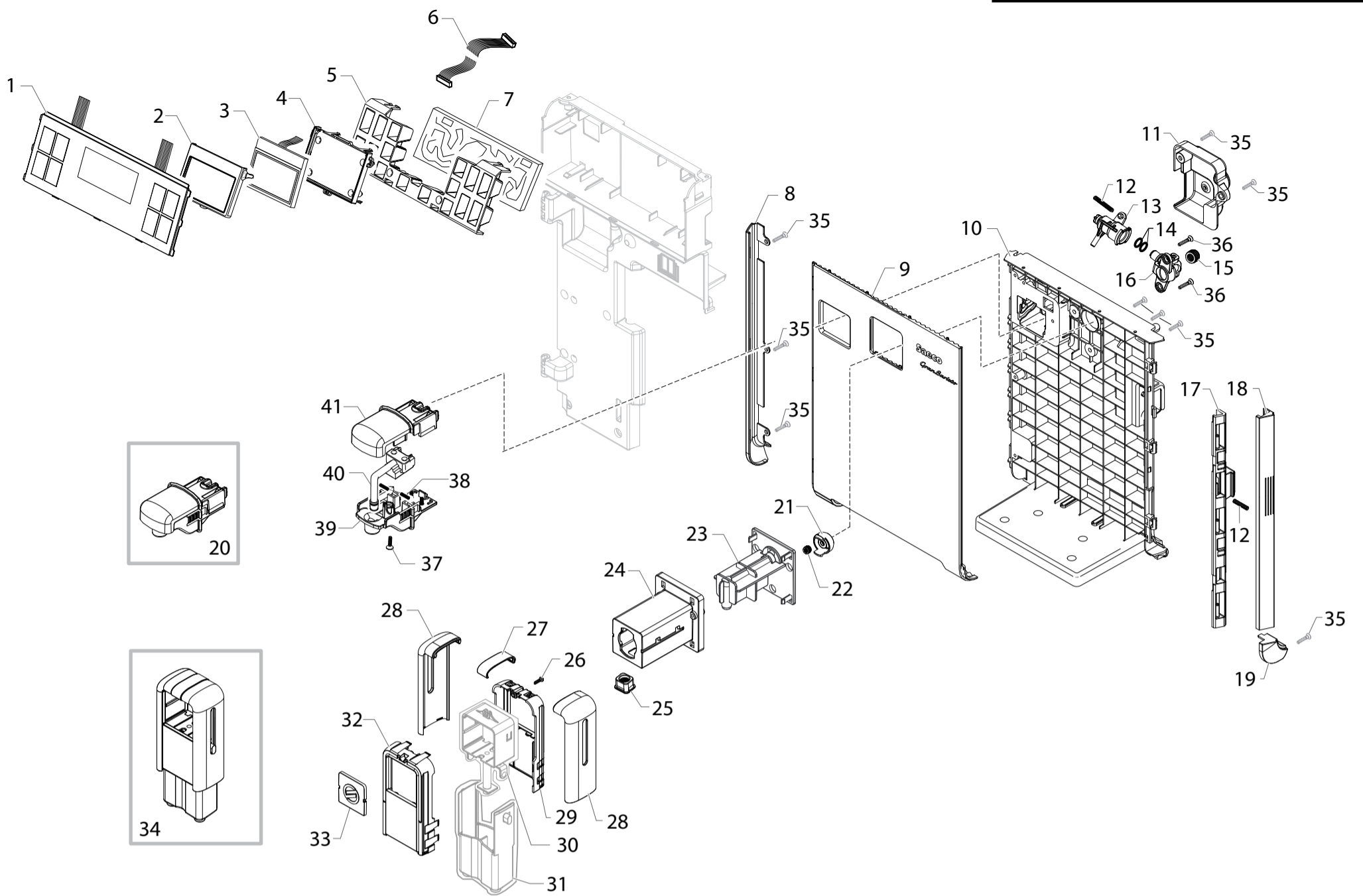
HD8964/01-05-08-47  
 HD8965/01 HD8966/01-05-06  
 HD8966/08-11-13-16-47



Cod. 10004234-882896405710-6408150-6447540  
 Cod. 882896501010-10004434-882896605710-6606470  
 Cod. 882896608150-6611010-6613530-6616660-6647540

| POS | CODE     | 12NC         | DESCRIPTION                              | NOTE                  | POS | CODE | 12NC | DESCRIPTION | NOTE |
|-----|----------|--------------|--|-----------------------|-----|------|------|-------------|------|
| 48  | 17001689 | 996530073779 | BLACK BREW UNIT TRANSMIS.GRAT LEVER CST  |                       |     |      |      |             |      |
| 49  | 17001696 | 996530073772 | BLK BREW UNIT TRANSM.GRAT LEVER SUPP.CST |                       |     |      |      |             |      |
| 50  | 17000799 | 996530073762 | BLACK RATIONMOTOR TRANSMISSION SHAFT CST |                       |     |      |      |             |      |
| 51  | 17001690 | 996530073752 | BLACK BREW UNIT TRANSMIS.SLIDER CST      |                       |     |      |      |             |      |
| 52  |          | 421944007661 | SB/SS CASING COVER INSERT CST/HM         | STEEL MODELS          |     |      |      |             |      |
| 53  | 17002065 | 996530073746 | BLK BEAN COF.CONT.RELEASE PLATE CST      | STEEL MODELS          |     |      |      |             |      |
| 54  | 17002091 | 996530073746 | BLK BEAN COF.CONT.RELEASE FIX PLATE CST  | STEEL MODELS          |     |      |      |             |      |
|     |          | 421944012591 | BLK COF.CONT.RELEASE FIX PLATE CST/HM    | MID/SS ONLY           |     |      |      |             |      |
| 55  |          | 421941302011 | WHT BEAN COF.CONT.RELEASE KNOB HGO       | STEEL MODELS          |     |      |      |             |      |
|     | 17002119 | 996530073534 | M/BLK BEAN COF.CONT.RELEASE KNOB HGO     | MID/SS ONLY           |     |      |      |             |      |
| 56  |          | 421941307131 | KIT SPAR.BLK REM.COF.CONT.S/SC.CST/HM AS | MID/SS / STEEL MODELS |     |      |      |             |      |
| 57  | 11021829 | 996530007156 | BLACK/TRANSP.RIGID FOOT MYB9             |                       |     |      |      |             |      |
| 58  | 11021769 | 996530007136 | BLACK RIGID FOOT FIXING PIN MYB9         |                       |     |      |      |             |      |
| 59  | 12001787 | 996530073717 | SCREW TCBR TORX 10 3X8 PLAST.SS          |                       |     |      |      |             |      |
| 60  | 12000450 | 996530007819 | SCREW TCBR TORX 10 3,5X12 PLAST.ZN-N     |                       |     |      |      |             |      |
| 61  |          | 421944029771 | BLK ADDITION.BEAN CONT.V2+SEAL CST ASSY. | STEEL MODELS          |     |      |      |             |      |
|     |          | 421944029761 | BLK ADDITION.BEAN CONT.+SEAL CST ASSY.   | HD8964/47             |     |      |      |             |      |
| 62  |          | 421944013991 | PS-E UPPER INSERT FOR BOX CST            |                       |     |      |      |             |      |
| 63  |          | 421944013671 | WHT COVER HOLE TOP COVER CASING CST      | MID/SS WHITE          |     |      |      |             |      |
|     |          | 421944008161 | BLK COVER HOLE TOP COVER CASING CST      | MID/SS BLK            |     |      |      |             |      |
| 64  | 17001721 | 996530073889 | BLK PWR BOARD COVER CST                  | USA                   |     |      |      |             |      |
| 65  |          | 421946003701 | MANUAL SAE HD8964 CST/B GB               |                       |     |      |      |             |      |
|     |          | 421946003721 | MANUAL SAE HD8964 CST/B FR               |                       |     |      |      |             |      |
|     |          | 421946004051 | MANUAL SAE HD8964 CST/B ES               |                       |     |      |      |             |      |
|     |          | 421946004311 | MANUAL SAE HD8966 CST/H GB               |                       |     |      |      |             |      |
|     |          | 421946004331 | MANUAL SAE HD8966 CST/H FR               |                       |     |      |      |             |      |
|     |          | 421946004341 | MANUAL SAE HD8966 CST/H ES               |                       |     |      |      |             |      |
|     |          | 421946004251 | MANUAL SAE HD8964 CST/B CHN              |                       |     |      |      |             |      |
|     |          | 421946004531 | MANUAL SAE HD8966 CST/H CHN              |                       |     |      |      |             |      |
| 66  | 21002051 | 996530071783 | ACC PSA MAVEA WATER FILTER 1UNIT         |                       |     |      |      |             |      |
| 67  |          | 421940312081 | WHT EXTERN.BOX CST SAE GRANBARISTO 23L   |                       |     |      |      |             |      |
| 68  | 13001097 | 996530008404 | BAND FOR LIFTING L=1800MM H=300MM        |                       |     |      |      |             |      |





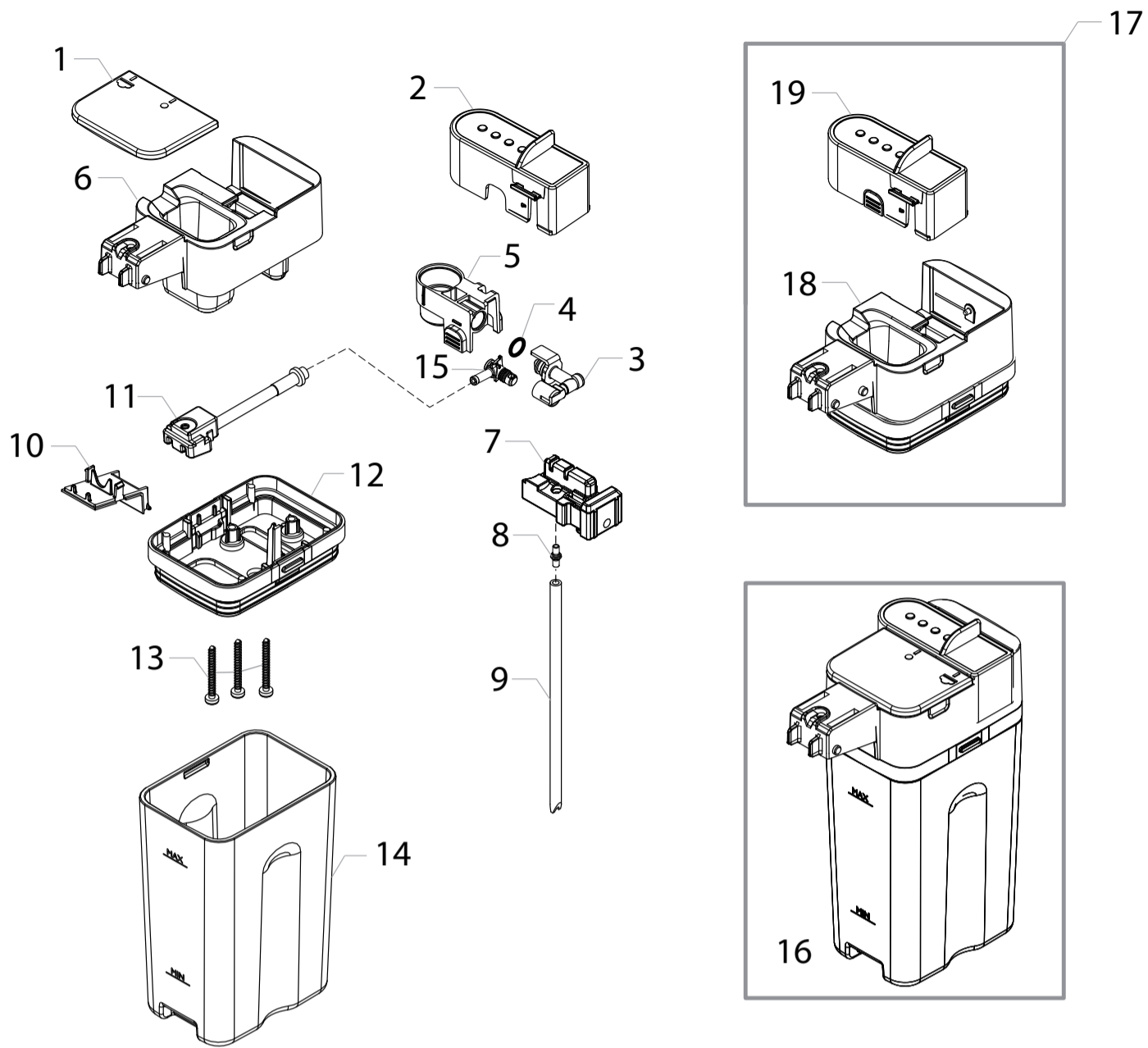
HD8964/01-05-08-47  
 HD8965/01 HD8966/01-05-06  
 HD8966/08-11-13-16-47



Cod. 10004234-882896405710-6408150-6447540  
 Cod. 882896501010-10004434-882896605710-6606470  
 Cod. 882896608150-6611010-6613530-6616660-6647540

| POS | CODE      | 12NC          | DESCRIPTION                              | NOTE         | POS | CODE      | 12NC         | DESCRIPTION                              | NOTE |
|-----|-----------|---------------|--|--------------|-----|-----------|--------------|--|------|
| 01  |           | 421941301281  | TRANSP.FRONT CASING S/SCR.CST ASSY.      |              | 32  | 17001709  | 996530073725 | BLACK FRONT COF.DISPENSER COVER CST/H    |      |
| 02  | 17001439  | 996530073706  | BLACK DISPLAY SEAL CST                   |              | 32  |           | 421941301211 | SS COF.DISPENS.FRONT COVER CST/HM ASSY.  |      |
| 03  | 11031168  | 996530073686  | DISPLAY LCD 160x80 CST                   |              | 33  |           | 421941301241 | BLK COF.DISPENS.SUPP.CAP S/SCR.CST/H     |      |
| 04  | 17001723  | 996530073718  | BLACK DISPLAY SUPPORT CST                |              |     |           | 421944038491 | SB/SS COF.DISPENS.SUPP.CAP V3 CST/HMAS.  |      |
| 05  |           | 421944032951  | WHT GUIDE LIGHT FRONT CASING V2 CST      |              | 34  |           | 421944029571 | BLK COF.DISPENS.V2 CST ASSY.             |      |
| 06  | 17800579  | 996530073759  | 10POLES CPU-PWR FLAT CABLE CST           |              |     |           | 421944029501 | SB/SS COF.DISPEN.V2 CST/HM ASSY.         |      |
| 07  |           | 421941303501  | CPU+SW CST/B ASSY.                       |              | 35  | 12001728  | 996530070321 | SCREW TCB TORX 10 3,5X12 PLAST.SS        |      |
|     | 11027374  | 996530073719  | CPU+SW CST/T ASSY.                       | STEEL MODELS | 36  | 12000450  | 996530007819 | SCREW TCB TORX 10 3,5X12 PLAST.ZN-N      |      |
| 08  |           | 421941301681  | BLK DOOR LEFT INSERT CST                 |              | 37  | 129913902 | 996530013164 | SCREW TCB TORX 10 3X12 PLAST.ZN-B        |      |
|     |           | 421941301651  | CHROM.DOOR LEFT INSERT CST               |              | 38  | 11005395  | 996530002873 | STEEL MILK CONTAINER SUPPORT SPRING P124 |      |
| 09  |           | 421944030381  | ANT.DOOR COVER S/SCR.V2 CST/H            |              | 39  |           | 421944004851 | BLK LOWER BODY HOT WATER DISPEN.CST      |      |
|     |           | 421944030411  | SS DOOR COVER S/SCR+LOG.SAE V2 CST/HMAS  |              | 40  | 17001215  | 996530069842 | BLACK HOT WATER DISPENSER TUBE NPR/T     |      |
| 10  |           | 421944026892  | BLK DOOR V3 CST                          |              | 41  |           | 421944004841 | BLK UPPER BODY HOT WATER DISPEN.CST      |      |
| 11  |           | 421944007781  | BLK STEAM CONNECTOR COVER CST            |              |     |           |              |  |      |
| 12  | 17000006  | 996530009559  | TWO WAY TEFLON TUBES SUPPORT SPRING MYB9 |              |     |           |              |  |      |
| 13  |           | 421944007791  | BLK CARAFE CONNECTOR INSERT CST          |              |     |           |              |  |      |
| 14  | 12000621  | 996530007857  | O-RING 2031 EPDM                         |              |     |           |              |  |      |
| 15  |           | 421944000271  | BLK VALVE/BOILER WATER TUBE SEAL V2 CST  |              |     |           |              |  |      |
| 16  |           | 421944007801  | BLK CARAFE CONNECTOR INSERT SUPPORT CST  |              |     |           |              |  |      |
| 17  |           | 421944000062  | BLK BUTTON FOR DOOR RELEASE V2 CST       |              |     |           |              |  |      |
| 18  |           | 421941301671  | BLK DOOR RIGHT INSERT CST                |              |     |           |              |  |      |
|     |           | 421941301641  | CHROM.DOOR RIGHT INSERT CST              |              |     |           |              |  |      |
| 19  |           | 421941301661  | BLK DOOR CLOSING RIGHT INSERT CST        |              |     |           |              |  |      |
|     |           | 421941301631  | CHROM.DOOR CLOSING RIGHT INSERT CST      |              |     |           |              |  |      |
| 20  |           | 421941302161  | BLK HOT WATER DISPENSER CST ASSY.        |              |     |           |              |  |      |
| 21  | 149213450 | 996530018123  | BLK CAP FOR REAR COF.DISPENSER TUBE      |              |     |           |              |  |      |
| 22  | 11013789  | 996530006858  | BLACK EV CONNECTOR SEAL MYB9             |              |     |           |              |  |      |
| 23  | 17001706  | 996530073773  | BLACK COFFEE DISPENSER TUBE CST          |              |     |           |              |  |      |
| 24  |           | 421941301231  | CHROM.COF.DISPENS.SUPPORT CST            |              |     |           |              |  |      |
| 25  | 11013072  | 996530006604  | BLACK SEAL FOR COFFEE DISPENSER MYB9     |              |     |           |              |  |      |
| 26  | 129913702 | 996530013162  | SCREW TCB TORX10 2,5X8 PLAST.ZN-B        |              |     |           |              |  |      |
| 27  |           | 421941301181  | CHROM.COF.DISPENS.UPPER INSERT CST       |              |     |           |              |  |      |
| 28  |           | 421941301171  | CHROM.COF.DISPENS.FRONT INSERT CST       |              |     |           |              |  |      |
| 29  | 17001712  | 996530073755  | BLACK.REAR COVER COFFEE DISPENSER CST    |              |     |           |              |  |      |
|     |           | 421941304011  | GRY COF.DISPENS.REAR COVER CST           |              |     |           |              |  |      |
| 30  |           | NOT AVAILABLE | BLACK COFFEE DISPENSER INNER BODY CST    | SEE POS. 34  |     |           |              |  |      |
| 31  |           | NOT AVAILABLE | BLACK EXT.MOBILE PART COF.DISPENSER CST  | SEE POS. 34  |     |           |              |  |      |





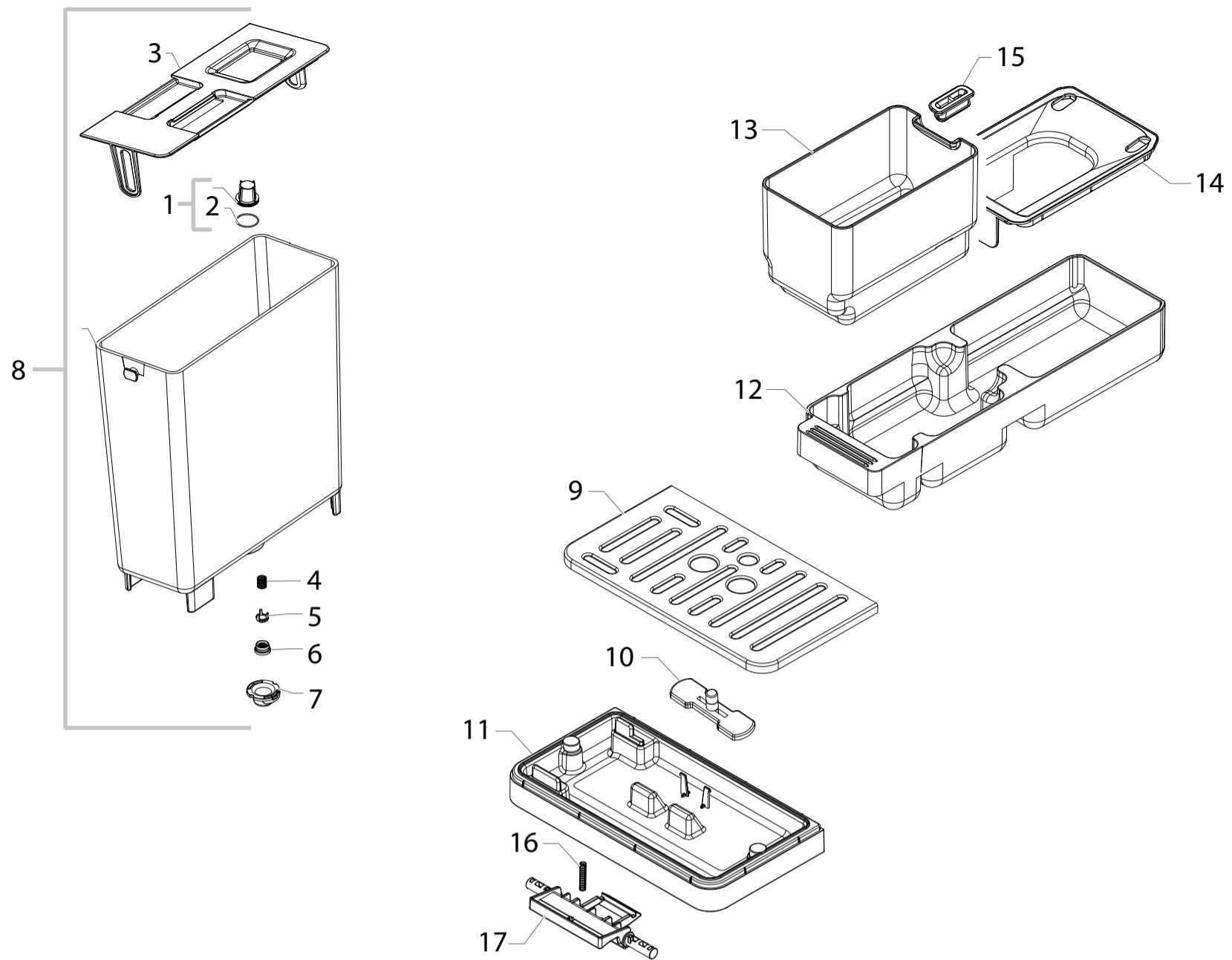
HD8964/01-05-08-47  
 HD8965/01 HD8966/01-05-06  
 HD8966/08-11-13-16-47



Cod. 10004234-882896405710-6408150-6447540  
 Cod. 882896501010-10004434-882896605710-6606470  
 Cod. 882896608150-6611010-6613530-6616660-6647540

| POS | CODE     | 12NC          | DESCRIPTION   | NOTE                       | POS | CODE | 12NC | DESCRIPTION | NOTE |
|-----|----------|---------------|---|----------------------------|-----|------|------|-------------|------|
| 01  |          | 421944007561  | BLK CARAFE COVER PLUG SMR/T   |                            |     |      |      |             |      |
| 02  | 17002208 | 996530073643  | MATT/BLK CARAFE CAPPUC.COVER SMR/T<br>TO S/N TU901430106019<br>NOT AVAILABLE FROM S/N TU901430106020  | SEE POS. 19                |     |      |      |             |      |
| 03  |          | 421944035641  | BLK CARAF.OUT.STEAM CON.D1,3 V2 SMR/T AS  |                            |     |      |      |             |      |
| 04  | NM01.028 | 996530059392  | O-RING 106 SILICONE   |                            |     |      |      |             |      |
| 05  | 17001985 | 996530073573  | BLACK CARAFE CAPPUC.CASING HGO/T  |                            |     |      |      |             |      |
| 06  |          | NOT AVAILABLE | BLACK UPPER COVER PART CARAFE SMR/T<br>TO S/N TU901430106019<br>NOT AVAILABLE FROM S/N TU901430106020 | SEE POS. 17<br>SEE POS. 18 |     |      |      |             |      |
| 07  | 17002052 | 996530073606  | BLK CARAFE MILK INLET BODY HGO/T<br>TO S/N TU901430106019<br>NOT AVAILABLE FROM S/N TU901430106020    | SEE POS. 19                |     |      |      |             |      |
| 08  | 17001362 | 996530068626  | BLK MILK INTAKE TUBE CONNECT.INS.V2 RYL   |                            |     |      |      |             |      |
| 09  | 11012814 | 996530067584  | SILICONE TUBE 3,5X6 L=140 MM  |                            |     |      |      |             |      |
| 10  |          | 421944030721  | BLK CARAF.REAR COVER INSERT V2 NOR NPR/T  |                            |     |      |      |             |      |
| 11  | 17002211 | 996530073579  | BLACK CARAFE MILK DISPENSER TUBE SMR/T  |                            |     |      |      |             |      |
| 12  |          | 421944007641  | BLK CARAFE LOWER COVER PART SMR/T<br>TO S/N TU901430106019<br>NOT AVAILABLE FROM S/N TU901430106020   | SEE POS. 18                |     |      |      |             |      |
| 13  | 12000897 | 996530007953  | SCREW TCB TORX 10 3,5X20 PLAST.SS   |                            |     |      |      |             |      |
| 14  |          | 421944032881  | TRANSP.D/GREY PH-11514 CARAFE V2 HGO/T  |                            |     |      |      |             |      |
| 15  |          | 421944006961  | BLK CARAFE STEAM INPUT CONN.SMR/T ASSY.   |                            |     |      |      |             |      |
| 16  |          | 421944029451  | TRANSP/BLK GEN.CARAFE SLID.SMR/T ASSY.  |                            |     |      |      |             |      |
| 17  |          | 421940813181  | KIT SPARES BLK UPPER COV.PAR.CARAF.SMR/T<br>TO S/N. TU901430106019                                    |                            |     |      |      |             |      |
| 18  |          | 421941307041  | KIT SPARES BLK UPP.COV.SERVO CAR.SMRT/T<br>FROM S/N. TU901430106020                                   |                            |     |      |      |             |      |
| 19  |          | 421941307191  | KIT SPAR.BLK CAP.COV.SERVO CAR.SMRT/T AS<br>FROM S/N. TU901430106020                                  |                            |     |      |      |             |      |





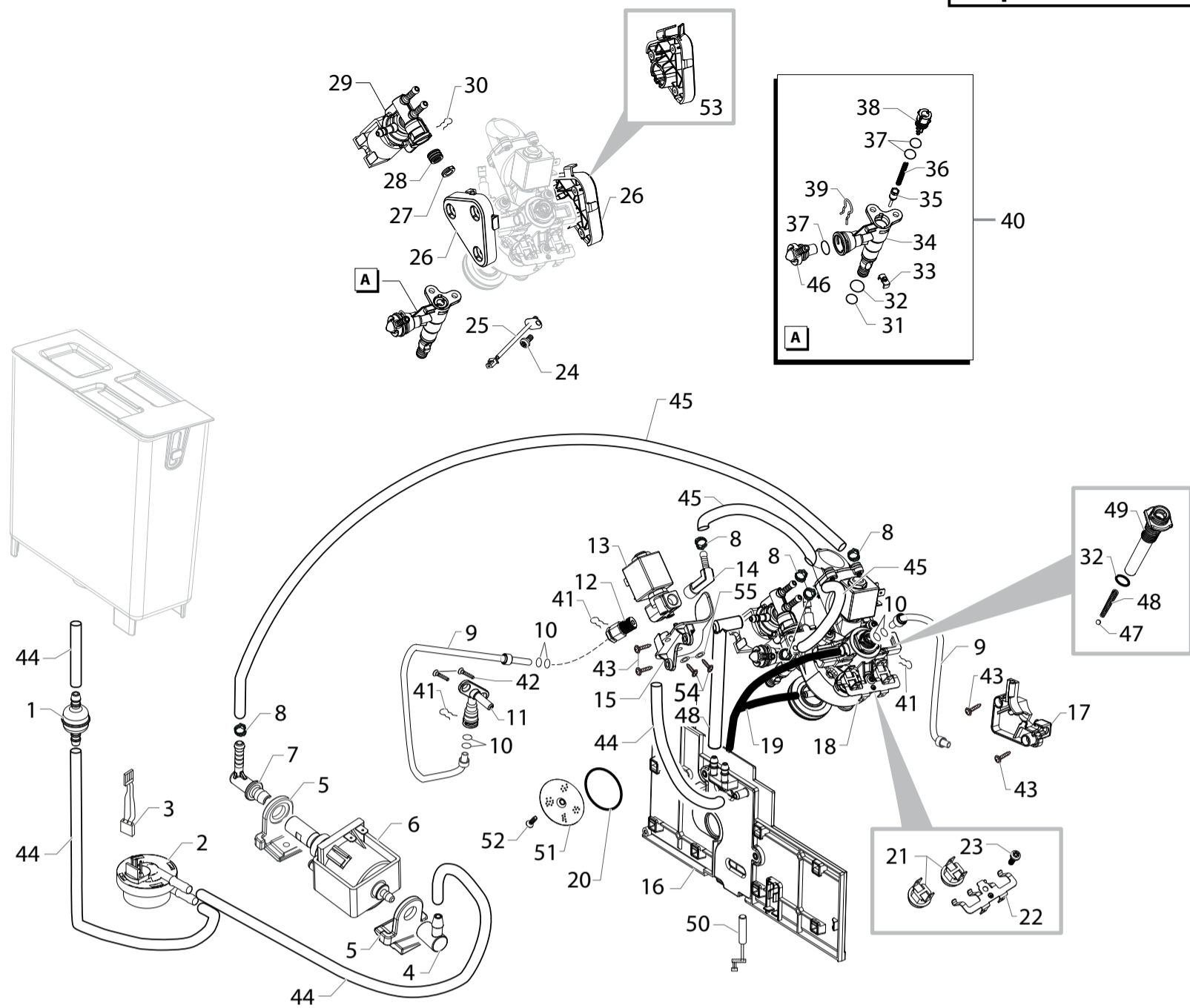
HD8964/01-05-08-47  
 HD8965/01 HD8966/01-05-06  
 HD8966/08-11-13-16-47



Cod. 10004234-882896405710-6408150-6447540  
 Cod. 882896501010-10004434-882896605710-6606470  
 Cod. 882896608150-6611010-6613530-6616660-6647540

| POS | CODE      | 12NC         | DESCRIPTION                              | NOTE          | POS | CODE | 12NC | DESCRIPTION | NOTE |
|-----|-----------|--------------|--|---------------|-----|------|------|-------------|------|
| 01  | 224640200 | 996530029115 | WHITE WATER CONTAINER EXT.FILTER ASSY.   | WITH PART.N°2 |     |      |      |             |      |
| 02  | 140328461 | 996530013571 | OR ORM 0190-10 EPDM                      |               |     |      |      |             |      |
| 03  |           | 421944000221 | NAT/GRY WATER CONTAINER HANDLE V2 CST    |               |     |      |      |             |      |
| 04  | 11003672  | 996530001831 | SS SPRING FOR WATER CONTAIN.VALVE P0049  |               |     |      |      |             |      |
| 05  |           | 421941157852 | GRY WATER CONTAINER VALVE INSERT P0049   |               |     |      |      |             |      |
| 06  | 11003671  | 996530001829 | TRANSP.VALVE FOR WATER CONTAINER P0049   |               |     |      |      |             |      |
| 07  | 17001366  | 996530073463 | BLACK LID FOR DUCKBILL VALVE SMR         |               |     |      |      |             |      |
| 08  | 17001736  | 996530073774 | WATER CONTAINER CST ASSY.                |               |     |      |      |             |      |
| 09  | 17001714  | 996530073781 | SS DRIP TRAY GRATE CST                   |               |     |      |      |             |      |
| 10  |           | 421944003041 | RED/BLK FLOAT FOR DRIP TRAY CST          |               |     |      |      |             |      |
|     |           | 421941306131 | RED/WHT FLOAT FOR DRIP TRAY CST          | MID /SS       |     |      |      |             |      |
| 11  | 17000947  | 996530073792 | BLACK DRIP TRAY CST ASSY.                |               |     |      |      |             |      |
|     |           | 421944028621 | BLK DRIP TRAY V2 CST ASSY.               |               |     |      |      |             |      |
|     |           | 421941301591 | WHT DRIP TRAY CST ASSY.                  |               |     |      |      |             |      |
|     |           | 421944030111 | WHY DRIP TRAY V2 CST ASSY.               |               |     |      |      |             |      |
| 12  | 17001905  | 996530073696 | BLACK COFFEE UNIT DRIP TRAY CST          |               |     |      |      |             |      |
| 13  | 17000946  | 996530073701 | BLACK DUMP BOX CST ASSY.                 |               |     |      |      |             |      |
| 14  |           | 421944000371 | BLK DRIP TRAY COF.BREW UNIT COVER CST    |               |     |      |      |             |      |
| 15  |           | 421944015541 | DRIPTRAY COF.BREW UNIT COVER SEAL V2 CST |               |     |      |      |             |      |
| 16  | 17000006  | 996530009559 | TWO WAY TEFLON TUBES SUPPORT SPRING MYB9 |               |     |      |      |             |      |
| 17  |           | 421944028551 | LEV.HOOK FOR RECOV.TAN. WAT.V2 CST       |               |     |      |      |             |      |





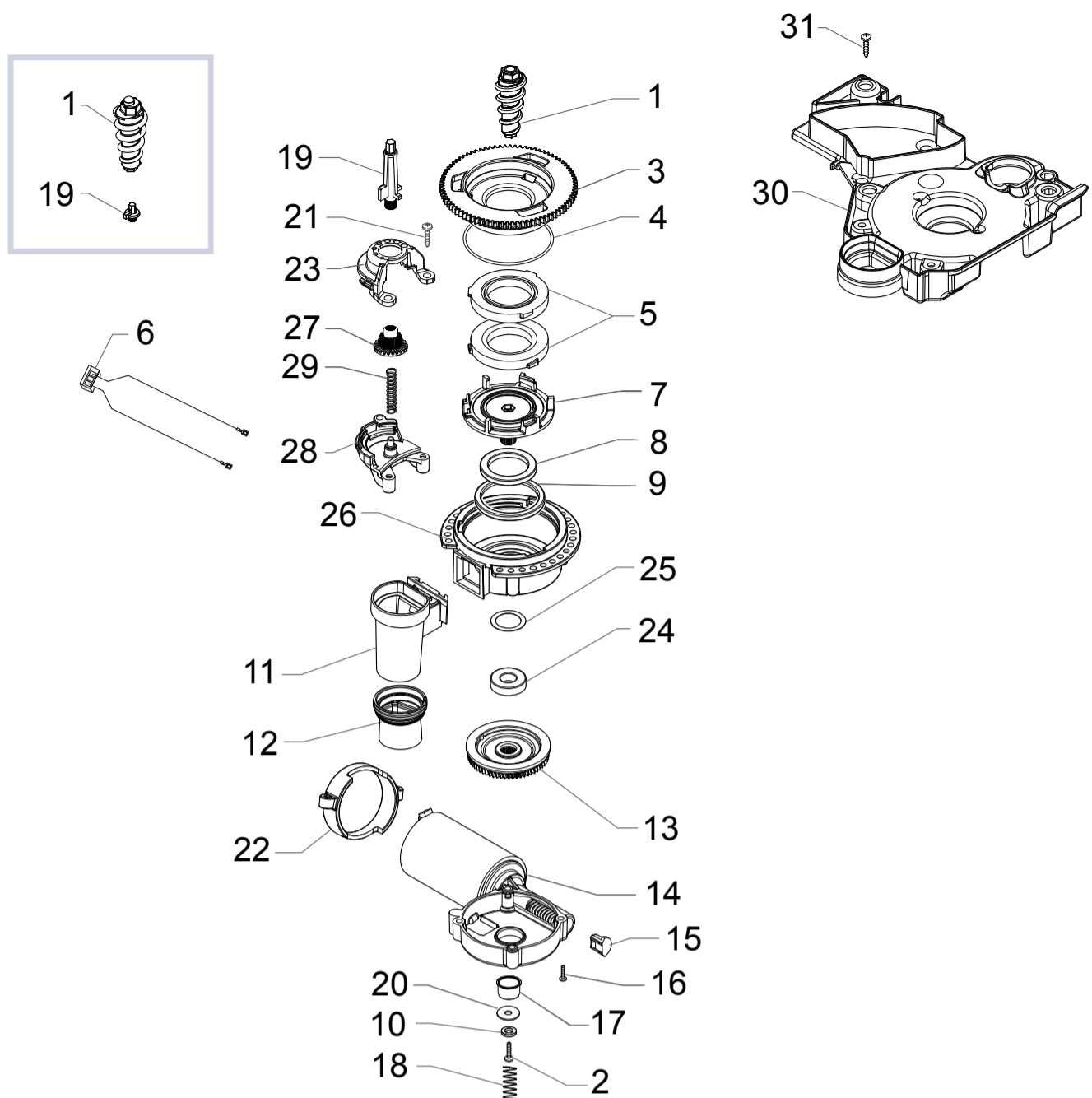
HD8964/01-05-08-47  
 HD8965/01 HD8966/01-05-06  
 HD8966/08-11-13-16-47



Cod. 10004234-882896405710-6408150-6447540  
 Cod. 882896501010-10004434-882896605710-6606470  
 Cod. 882896608150-6611010-6613530-6616660-6647540

| POS | CODE      | 12NC         | DESCRIPTION                              | NOTE      | POS | CODE      | 12NC         | DESCRIPTION                             | NOTE    |
|-----|-----------|--------------|--|-----------|-----|-----------|--------------|---|---------|
| 01  | 12001595  | 996530067498 | TRANSPWHITE ASPIRATION FILTER MDS        |           | 36  | 9011.132  | 996530048874 | SS SPRING FOR PIN                       |         |
| 02  | NV99.099  | 996530059843 | TURBINE D=1,2 932-8521/00 ASSY.          |           | 37  | 12000621  | 996530007857 | O-RING 2031 EPDM                        |         |
| 03  | 17800446  | 996530073716 | 6POLES CONNECT.DRIP TRAY+FLOWMETER CST   |           | 38  | 17001778  | 996530073745 | BLACK CAP FOR PIN BOILER CST            |         |
| 04  | 147920150 | 996530017348 | 90° INLET PUMP CONNECTOR                 |           | 39  | 11005096  | 996530002744 | SS FORK SPRING FOR BLOWDOWN VALVE P0049 |         |
| 05  | 17001235  | 996530073716 | BLACK PUMP SUPPORT CST                   |           | 40  | 17001776  | 996530073687 | PIN FOR BOILER CST ASSY.                |         |
| 06  | 12000140  | 996530007753 | ULKA PUMP EP5/S GW                       | 230V-50HZ | 41  | 9011.144  | 996530048885 | SS FORK FOR TUBE D=4                    |         |
|     | 12000142  | 996530007754 | ULKA PUMP EAP5/S 120V-60HZ               | 120V-60HZ | 42  | 12001787  | 996530073717 | SCREW TCB TORX 10 3X8 PLAST.SS          |         |
| 07  | 17002000  | 996530073716 | BLK PUMP OUTLET CH12 90°CONNECTOR CST    |           | 43  | 12001622  | 996530068586 | SCREW TCB TORX B 3,5X9,5 SCHEET NIK     |         |
| 08  | 12000892  | 996530007947 | OETIKER CLAMP D=9,5 16700004             |           | 44  | JS01.022  | 996530057357 | SILICONE TUBE 5X10 60SH                 | IN ROLL |
| 09  |           | 421941305021 | TEFLON TUBE 2X4 L=220 MM ASSY.           |           | 45  | 16000380  | 996530009505 | 5X8,9 SILICONE TUBE                     | IN ROLL |
| 10  | 140328059 | 996530013564 | OR 2015 SILICONE PTFE/FDA                |           | 46  |           | 421941200532 | BLK BLOWDOWN VALVE CAP V2 MYB9          |         |
| 11  |           | 421944007811 | BLK OUTPUT STEAM TUBE CONNECTOR CST      |           | 47  |           | 421944034451 | BOROSILICATE SPHERE D.5 MM              |         |
| 12  | 11008875  | 996530005076 | TEA/BRASS CONNECTOR 1/8" FOR TUBE D=4    |           | 48  | 9161.222  | 996530050657 | SS.CONICAL SPRING                       |         |
| 13  | 17001262  | 996530073681 | LFBRASS 2W.EV 21JN1RRV20-X005+LBV05024CU |           | 49  | 17001769  | 996530073778 | BLK PISTON UNIT COFF.OUTLET CONNECT.CST |         |
| 14  |           | 421944026231 | L-F/BRASS BOILER CONNECT.CST             |           | 50  | 17800442  | 996530073661 | 2POLES CONNECT.SENSOR REED DUMP BOX CST |         |
| 15  | 17001697  | 996530073763 | BLACK SOLENOID VALVE SUPPORT CST         |           | 51  | 9161.268  | 996530050709 | PERCOLATOR DE=35,8 ELFO                 |         |
| 16  |           | 421944015991 | BLK BREW UNIT LEFT SUPP.PLATE V2 CST ASS |           | 52  | 12000895  | 996530007951 | SCREW TSP TORX 10 3X10 PLAST.SS         |         |
| 17  | 17001758  | 996530073763 | BLACK TEFLON TUBE SUPPORT CST            |           | 53  |           | 421944032332 | BLK PISTON UNIT UPPER PART SUPP.V3 CST  |         |
| 18  |           | 421944033851 | PISTON UNIT V4 CST 230V ASSY.            |           |     |           |              | <b>FROM S/N. TU901446163585</b>         |         |
|     |           | 421944033871 | PISTON UNIT V2 CST 120V ASSY.            |           | 54  | 129583102 | 996530012941 | SCREW TCB M4X12 AUTOFORMING ZN-B        |         |
| 19  | 17001902  | 996530073741 | TRANSP.DRAIN OIL CONNECTOR CST           |           | 55  | 128310404 | 996530012342 | WASHER UNI 8842 A4 BURNISHED            |         |
| 20  | NM01.044  | 996530059406 | OR ORM 0320-40 SILICONE PTFE/FDA         |           |     |           |              |   |         |
| 21  | 12001033  | 996530007973 | THERMOSTAT ONE SHOT 190°                 |           |     |           |              |   |         |
| 22  | 17001521  | 996530073785 | TUB.BOILER THERMOST.FIXING SPRING CST    |           |     |           |              |   |         |
| 23  | 129583102 | 996530012941 | SCREW TCB M4X12 AUTOFORMING ZN-B         |           |     |           |              |   |         |
| 24  | 129573202 | 996530012921 | SCREW TCB TORX 20 M4X8 AUTOFORMING ZN-B  |           |     |           |              |   |         |
| 25  | 17800628  | 996530073428 | TEMPERATURE SENSOR NTC UL L=550MM        |           |     |           |              |   |         |
| 26  |           | 421944032331 | BLK PISTON UNIT UPPER PART SUPP.V2 CST   |           |     |           |              |   |         |
| 27  |           | 421944000281 | WHT BOILER TUBE SPACER V2 CST            |           |     |           |              |   |         |
| 28  |           | 421944000271 | BLK VALVE/BOILER WATER TUBE SEAL V2 CST  |           |     |           |              |   |         |
| 29  |           | 421944001171 | BLOWDOWN VALVE V2 CST 24V ASSY.          |           |     |           |              |   |         |
| 30  |           | 421944000261 | SS FORK FOR TUBE D=6,25                  |           |     |           |              |   |         |
| 31  | NM01.057  | 996530059419 | OR ORM 0050-20 IN SILICONE               |           |     |           |              |   |         |
| 32  | NM01.035  | 996530059399 | OR ORM 0090-20 SILICONE                  |           |     |           |              |   |         |
| 33  | 11005099  | 996530002747 | NATURAL CURSOR V2 FOR BOILER P119        |           |     |           |              |   |         |
| 34  | 17001777  | 996530073785 | NAT.PIN FOR BOILER CST                   |           |     |           |              |   |         |
| 35  | 11009019  | 996530005183 | TEA/BRASS PISTON L=20,9 ASSY.            |           |     |           |              |   |         |





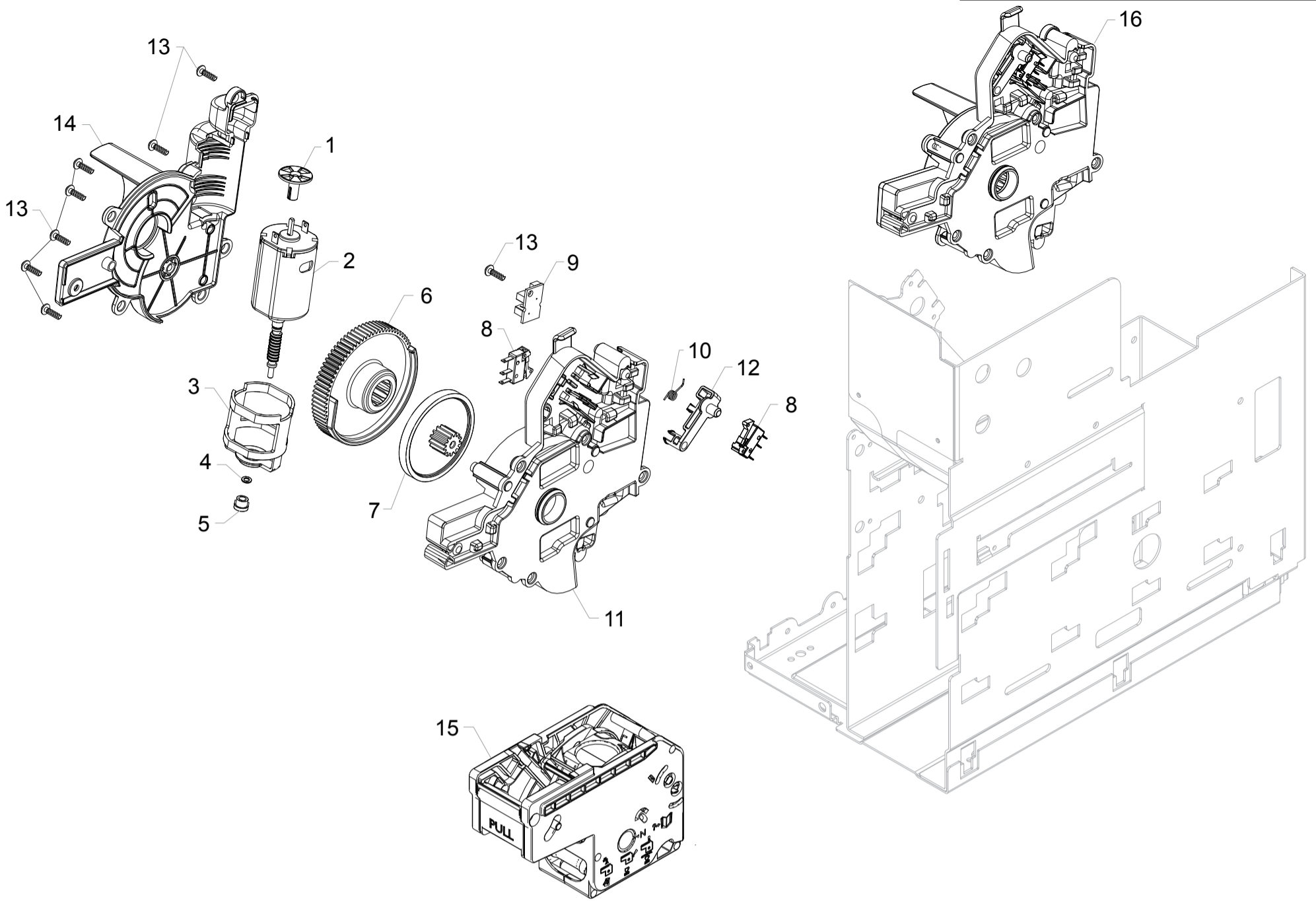
HD8964/01-05-08-47  
 HD8965/01 HD8966/01-05-06  
 HD8966/08-11-13-16-47



Cod. 10004234-882896405710-6408150-6447540  
 Cod. 882896501010-10004434-882896605710-6606470  
 Cod. 882896608150-6611010-6613530-6616660-6647540

| POS | CODE      | 12NC         | DESCRIPTION                              | NOTE             | POS | CODE | 12NC         | DESCRIPTION                              | NOTE |
|-----|-----------|--------------|--|------------------|-----|------|--------------|--|------|
| 01  | 11011205  | 996530005991 | TEA ZAMA INCREASE SCREW GRINDER          |                  |     |      | 421944038331 | GEN.MOTOR COF.GRIND.V2 CST/HM 120V ASSY. | 120V |
|     |           | 421944038321 | TEA ZAMA GRIND.INCREASE SCREW V2 CST AS  | STEEL WHITE ONLY |     |      |              |  |      |
| 02  | 129574802 | 996530012928 | SCREW TCB TORX 20 M4X30 ZN-B             |                  |     |      |              |  |      |
| 03  |           | 421941094152 | BLK COF.GRINDER UPPER GRINDER SUPPORT V2 |                  |     |      |              |  |      |
| 04  | 140328960 | 996530013577 | OR ORM 0530-15 NBR FDA                   |                  |     |      |              |  |      |
| 05  | 146520100 | 996530016342 | BAKED CLAY GRINDER 48X28                 |                  |     |      |              |  |      |
| 06  | 17800450  | 996530073694 | 2POLES CONNECTOR GRINDER MOTOR CST       |                  |     |      |              |  |      |
| 07  | 149198350 | 996530017952 | BLK LOWER COFFEEGRINDER GRINDER SUPPORT  |                  |     |      |              |  |      |
| 08  | 123030300 | 996530011183 | AXIAL BEARING EKKO 342.35252             |                  |     |      |              |  |      |
| 09  | 140360500 | 996530013597 | FELT RING 45,4X39,4X4                    |                  |     |      |              |  |      |
| 10  | 128310402 | 996530068049 | GALV.WASHER UNI 8842 A4                  |                  |     |      |              |  |      |
| 11  | 11026355  | 996530068049 | BLK GROUND COFF.OUTLET CONVEYOR V4 ASSY. |                  |     |      |              |  |      |
| 12  | 17001261  | 996530073695 | TRANSP.GROUND COFFEE CONT.LOWER SEAL CST |                  |     |      |              |  |      |
| 13  | 226000300 | 996530029609 | GEAR SX Z=38 FOR GRINDER MOTION ASSY.    |                  |     |      |              |  |      |
| 14  | 11000513  | 996530000317 | MOTOR COFFEEGRINDER V3.1 230V ASSY.      |                  |     |      |              |  |      |
|     |           | 421941305001 | MOTOR COFFEEGRINDER V3.1 120V ASSY.      |                  |     |      |              |  |      |
| 15  | 149214800 | 996530018139 | MC V3 MOD=1,25 WORM SCREW CENTRING CAP   |                  |     |      |              |  |      |
| 16  | 129661702 | 996530012992 | SCREW TCB TORX 3,5X30 PLAST.ZN-B         |                  |     |      |              |  |      |
| 17  | 11002873  | 996530001389 | INSULATOR BUSH FOR GRINDER MOTOR P124    |                  |     |      |              |  |      |
| 18  | 11000597  | 996530000376 | STEEL COF.GRINDER SUPPORT SPRING P124    |                  |     |      |              |  |      |
| 19  |           | 421944012702 | BLK BEAN COFFEE GRINDER INSERT V2 CST/B  |                  |     |      |              |  |      |
|     |           | 421944001091 | INS.REG.MACINAT.CAF.GRA.HGO GIA.         | STEEL WHITE ONLY |     |      |              |  |      |
| 20  | 128381902 | 996530012375 | STEEL FLAT WASHER DI=4,3 DE=14 SP=1,5    |                  |     |      |              |  |      |
| 21  | 129914002 | 996530013165 | SCREW TCB TORX 10 3,5X16 PLAST.ZN-B      |                  |     |      |              |  |      |
| 22  | 11000194  | 996530000115 | BLACK COFFEEGRINDER MOTOR SUPPORT P124   |                  |     |      |              |  |      |
| 23  | 11002508  | 996530001296 | UPPER COFFEEGRINDER GEAR SUPPORT P124    |                  |     |      |              |  |      |
| 24  | 123030200 | 996530011182 | RADIAL BEARING 61900.2RS1                |                  |     |      |              |  |      |
| 25  | 128381800 | 996530012374 | STEEL CRINKLE WASHER 21,8X14X0,25        |                  |     |      |              |  |      |
| 26  | 142905450 | 996530015258 | BLK UPPER BODY WITH COFFEE GROUND OUTLET |                  |     |      |              |  |      |
| 27  | 11003784  | 996530001907 | COFFEE GRINDING ADJUSTMENT GEAR P0049    |                  |     |      |              |  |      |
| 28  | 11002613  | 996530001314 | LOWER COFFEEGRINDER GEAR SUPPORT P124    |                  |     |      |              |  |      |
| 29  | 11002572  | 996530001308 | COFFEEGRINDER REGULATION SPRING P124     |                  |     |      |              |  |      |
| 30  | 17001681  | 996530073702 | BLK COF.GRINDER SOUNDPROOFING COVER CST  |                  |     |      |              |  |      |
| 31  | 12000450  | 996530007819 | SCREW TCB TORX 10 3,5X12 PLAST.ZN-N      |                  |     |      |              |  |      |
|     | 17001683  | 996530073737 | GEN.MOTOR COFFEE GRINDER CST 230V ASSY.  |                  |     |      |              |  |      |
|     |           | 421944038311 | GEN.MOTOR COF.GRINDER V2 CST/HM 230V AS  | STEEL WHITE ONLY |     |      |              |  |      |





HD8964/01-05-08-47  
 HD8965/01 HD8966/01-05-06  
 HD8966/08-11-13-16-47

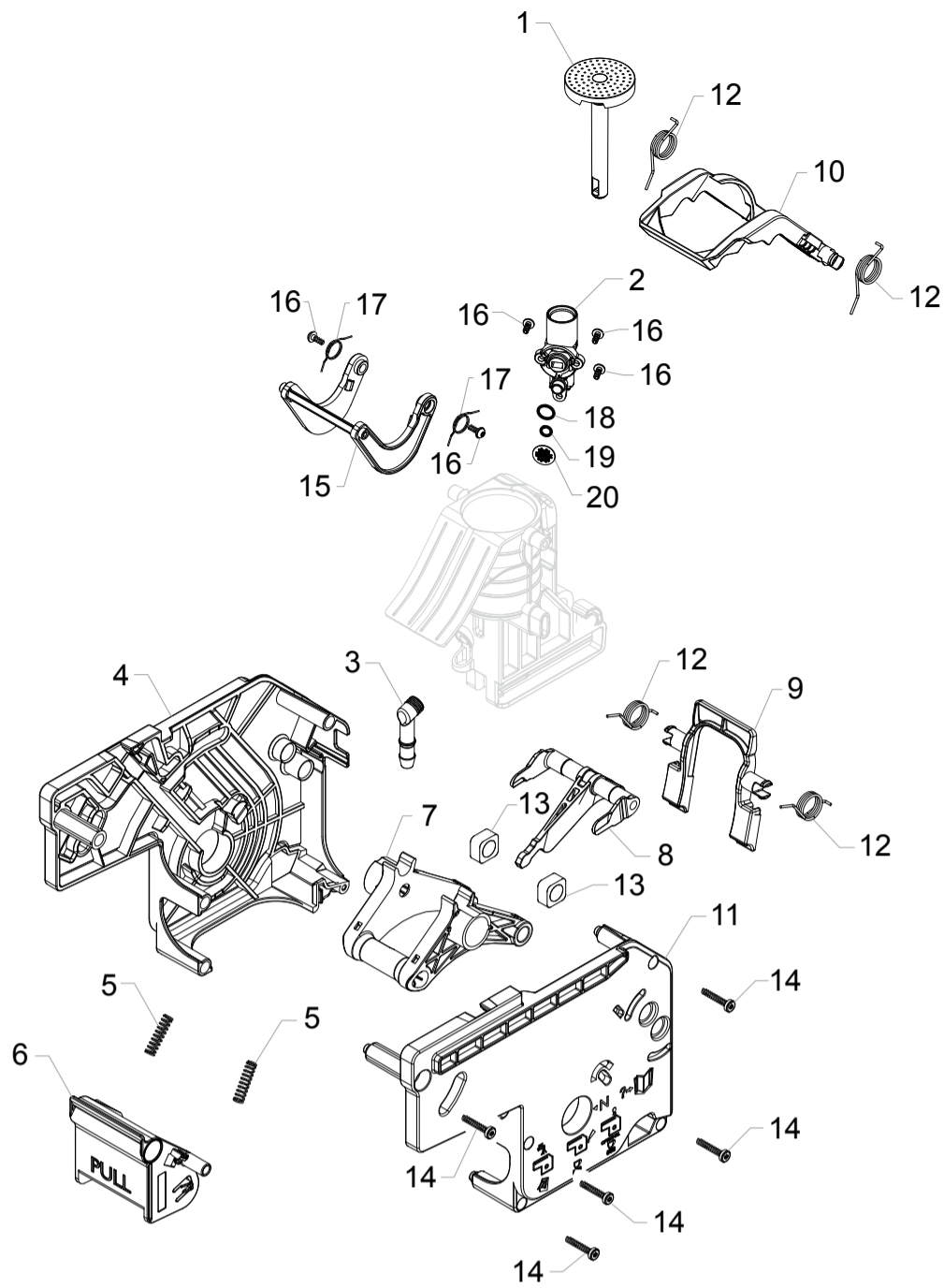


Cod. 10004234-882896405710-6408150-6447540  
 Cod. 882896501010-10004434-882896605710-6606470  
 Cod. 882896608150-6611010-6613530-6616660-6647540

| POS | CODE      | 12NC         | DESCRIPTION                              | NOTE | POS | CODE | 12NC | DESCRIPTION | NOTE |
|-----|-----------|--------------|--|------|-----|------|------|-------------|------|
| 01  | 17000797  | 996530073711 | BLACK ENCODER MOTOR INSERT CST           |      |     |      |      |             |      |
| 02  | 17001611  | 996530073707 | MOTOR FOR RATIOMOTOR CST ASSY.           |      |     |      |      |             |      |
| 03  | 9121.044  | 996530049896 | ANTIVIBRATION FOR MOTOR                  |      |     |      |      |             |      |
| 04  | 148380200 | 996530017424 | BAKELIZZATE WASHER D=5,5                 |      |     |      |      |             |      |
| 05  | 9121.046  | 996530049898 | BRONZE SINTERED BUSH FOR MOTOR RATIOMOT. |      |     |      |      |             |      |
| 06  | 17000800  | 996530073735 | BLACK GEAR Z=77 FOR RATIOMOTOR CST       |      |     |      |      |             |      |
| 07  | 146002800 | 996530016272 | GREY GEAR Z=13/90 FOR RATIOMOTOR P124    |      |     |      |      |             |      |
| 08  | NE05.038  | 996530058869 | MICROSWITCH SAIA XCG5-81-P5              |      |     |      |      |             |      |
| 09  | 11027610  | 996530073742 | GHEAR BOX ENCODER BOARD CST              |      |     |      |      |             |      |
| 10  | 11013785  | 996530006856 | STEEL TEFLON TUBES SUPPORT SPRING MYB9   |      |     |      |      |             |      |
| 11  | 17000807  | 996530073689 | BLK RATIOMOTOR CASING WITH PIN CST ASSY. |      |     |      |      |             |      |
| 12  | 17000798  | 996530073691 | BLK BREW UNIT PRESENCE MICRO LEVER CST   |      |     |      |      |             |      |
| 13  | 12000450  | 996530007819 | SCREW TCBR TORX 10 3,5X12 PLAST.ZN-N     |      |     |      |      |             |      |
| 14  | 17000795  | 996530073771 | BLACK RATIOMOTOR COVER CST               |      |     |      |      |             |      |
| 15  |           | 421944028571 | BLK BREW UNIT V2 CST                     |      |     |      |      |             |      |
| 16  | 17000794  | 996530073697 | BLACK RATIOMOTOR CST ASSY.               |      |     |      |      |             |      |







HD8964/01-05-08-47  
 HD8965/01 HD8966/01-05-06  
 HD8966/08-11-13-16-47



Cod. 10004234-882896405710-6408150-6447540  
 Cod. 882896501010-10004434-882896605710-6606470  
 Cod. 882896608150-6611010-6613530-6616660-6647540

| POS | CODE         | 12NC         | DESCRIPTION                              | NOTE | POS | CODE | 12NC | DESCRIPTION | NOTE |
|-----|--------------|--------------|--|------|-----|------|------|-------------|------|
| 01  | 17000764     | 996530073722 | BLK BREW UNIT INTEGRAL PISTON CST ASSY.  |      |     |      |      |             |      |
| 02  | 17000757     | 996530073789 | BLACK BREW UNIT WATER INLET SLEEVE CST   |      |     |      |      |             |      |
| 03  | 17001293     | 996530073729 | BLK BREW UNIT DRAIN COFFEE CONNECT.CST   |      |     |      |      |             |      |
| 04  | 17000751     | 996530073727 | BLACK BREW UNIT LEFT PLATE CST           |      |     |      |      |             |      |
| 05  | 17000006     | 996530009559 | TWO WAY TEFLON TUBES SUPPORT SPRING MYB9 |      |     |      |      |             |      |
| 06  | 17000767     | 996530073728 | BLACK BREW UNIT COUPLING LEVER CST       |      |     |      |      |             |      |
| 07  | 17000753     | 996530073766 | BLACK BREW UNIT ELBOW SHAFT CST          |      |     |      |      |             |      |
| 08  | 17000754     | 996530073714 | BLACK BREW UNIT CONNECTING ROD CST       |      |     |      |      |             |      |
| 09  | 17000768     | 996530073768 | BLACK BREW UNIT LOCKING LEVER CST        |      |     |      |      |             |      |
| 10  | 17000755     | 996530073705 | BLACK BREW UNIT PISTON SCRAPER CST       |      |     |      |      |             |      |
| 11  | 17000752     | 996530073704 | BLACK BREW UNIT RIGHT PLATE CST          |      |     |      |      |             |      |
| 12  | 17000765     | 996530073713 | SS BREW UNIT COUNTERP:SCRAPER SPRING CST |      |     |      |      |             |      |
| 13  | 9161.094.050 | 996530050539 | BLACK BREW UNIT DRILLED BLOCK            |      |     |      |      |             |      |
| 14  | 12000897     | 996530007953 | SCREW TCB TORX 10 3,5X20 PLAST.SS        |      |     |      |      |             |      |
| 15  | 17000756     | 996530073767 | BLK BREW UNIT COUNTERPISTON SCRAPER CST  |      |     |      |      |             |      |
| 16  | 12001787     | 996530073767 | SCREW TCB TORX 10 3X8 PLAST.SS           |      |     |      |      |             |      |
| 17  | 17000766     | 996530073733 | SS BREW UNIT PISTON SCRAPER SPRING CST   |      |     |      |      |             |      |
| 18  | NM01.035     | 996530059399 | OR ORM 0090-20 SILICONE                  |      |     |      |      |             |      |
| 19  | 12000070     | 996530007732 | OR ORM 0060-15 SILICONE                  |      |     |      |      |             |      |
| 20  |              | 421944015931 | SS COF.FILTER HOLES D=1 BREW UNIT CST    |      |     |      |      |             |      |
|     |              | 421944028571 | BLK BREW UNIT V2 CST                     |      |     |      |      |             |      |

