

**GAGGIA**

**SUP034OR**

RI 8174/00- 02- 03- 41- 43  
RI 9304/21- 48



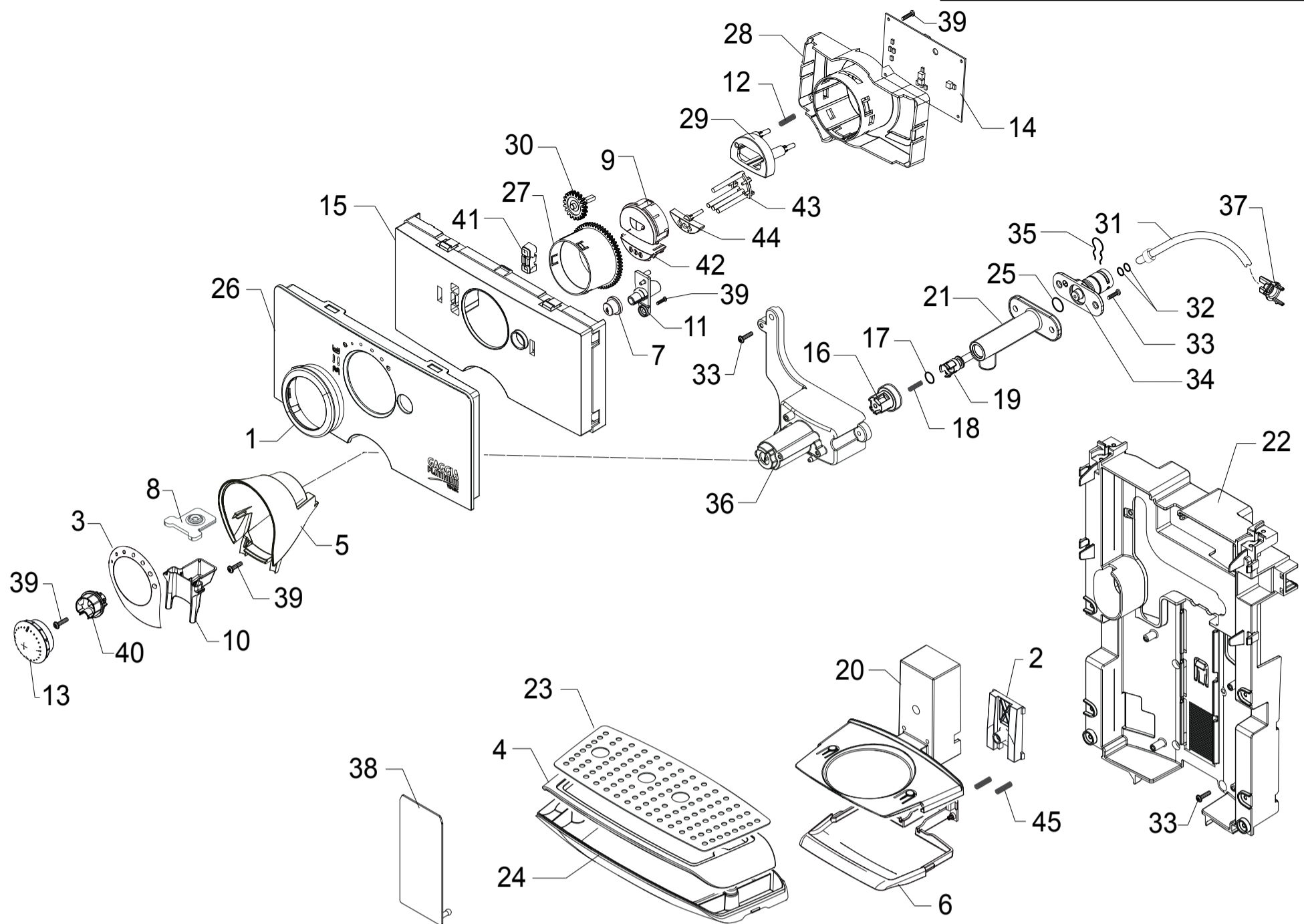
Cod.10002007-1952-2486-2511-2487  
Cod. 10001705- 2488

POS	CODE	12NC	DESCRIPTION	NOTE	POS	CODE	12NC	DESCRIPTION	NOTE
01	15001107	996530008919	MANUAL GAG SUP034OR G0053/A D/I		28	11007173	996530004105	TITANIO COVER CASING G0053	
	15001108	996530008921	MANUAL GAG SUP034OR G0053/A GB/F		29	11030061	996530072442	MOUNTING PLATE W/PIN V3 P0049 ASSY.	
	15001109	996530008922	MANUAL GAG SUP034OR G0053/A E/P			11030062	996530072441	MOUNTING PLATE W/PIN V3 P0049 UL ASSY.	
	15001130	996530008938	MANUAL GAG SUP034OR G0053/A NL/PL		30	12001883	996530072437	CUP SOCKET V3 EN 60320 C 13	
	15001276	996530008998	MANUAL GAG SUP034OR G0053/A GB/P		31	U140.001	996530061964	SCREW TCB TORX 10 3,5X40 PLAST.ZN-N	
02	21001711	996530010528	ACC GAG MAVEA UNI.WAT.FILTERX1 USA		32	11007060	996530004022	GENERAL SWITCH P124	
03	183911050	996530025808	BLACK POWER CABLE SCHUKO L=1200		33	11007174	996530004106	TITANIO RIGHT SIDE CASING G0053	
	183930650	996530025858	POWER CABLE CH BLACK 3X1 H05VV-F L=1200		34	11000223	996530000126	BLACK WHEEL FOR CASING BOTTOM P124	
	183970350	996530025882	BLACK POWER CABLE UK L=1200		35	140321461	996530013461	O-RING 2018 EPDM	
	183940650	996530025872	BLACK POWER CABLE AUSTRALIA L=1200		36	11003821	996530001933	BLACK CAP FOR CONNECTIONS P0049/P0053	
	183921950	996530025843	POWER CABLE SJT3 USA BLACK UL L=1200		37	9161.111	996530050555	MAGNET FOR FLOAT SUPERAUT.	
	17800019	996530009627	BLACK POWER CABLE BRAZIL L=1200	230V/ 50HZ	38	11005046	996530002702	BLACK INSIDE COVER DOOR G0053	
	17800330	996530069926	BLACK POWER CABLE BRAZIL L=1200	120V/ 60HZ	39	11003533	996530001717	BLACK DUMP BOX P0049 ASSY.	
04	11003785	996530001908	BLACK GRINDER ADJUSTMENT KEY P0049		40	11007178	996530004111	TITANIO DOOR G0053	
05	11022867	996530007474	GAGGIA KLUBER TRIBOSTAR SIL 2 TUBE 5GR.		41	11001340	996530000764	BLACK DOOR PIN P0049	
06	11007212	996530004147	TITANIO WATER TANK OUTLET COVER G0053		42	11008956	996530005133	SS DOOR LOCK SPRING G0053	
07	11001668	996530000954	NAT/GREY WATER CONTAINER LID P0053		43	11007177	996530004109	TITANIO COFFEE UNIT DRIP TRAY G0053	
08	11002017	996530001109	NAT/GREY WATER CONTAINER P0053 ASSY.		44	11022788	996530007441	PWR BOARD V2 P0053	230V
09	224640200	996530029115	WHITE WATER CONTAINER EXT.FILTER ASSY.	WITH PART. N°10		11003968	996530001977	PWR BOARD P0049/P0053	120V
10	140328461	996530013571	OR ORM 0190-10 EPDM		45	11001339	996530000763	TRANSP.INFRAREDS PLATE P0049	
11	11003672	996530001831	SS SPRING FOR WATER CONTAIN.VALVE P0049		46	129912702	996530013151	GALVAN.SCREW PT TORX 3X10 WN 1411	
12	11003673	996530001832	GREY WATER CONTAINER VALVE INSERT P0049		47	11007605	996530004447	2POLES CONNECTOR SENSOR REED DOOR G0053	
13	11003671	996530001829	TRANSP.VALVE FOR WATER CONTAINER P0049		48	11003154	996530001476	BLACK REED SENSOR SUPPORT P0049	
14	11001298	996530000733	BLACK LID FOR DUCKBILL VALVE P0049		49	11004055	996530002004	TITANIO ON-OFF BUTTON INSERT P0049	
15	20006877	996530071488	KIT PS-E INSERTS FOR BOX G0053		50	11011129	996530005982	SPECCHIATO ON-OFF SWITCH BUTTON P0049	
16	129914002	996530013165	SCREW TCB TORX 10 3,5X16 PLAST.ZN-B		51	13000526	996530008214	CARTON INSERT FOR BOX G0053	
17	13000544	996530008227	DISPLAY BOX G0053 GAG PLATINUM		52	149360300	996530018271	SILCONE TUBE 7X10	IN ROLL
18	11007195	996530004128	NAT/GREY BEAN COFF.CONT.LID G0053 ASSY.		53	11006567	996530003666	LOWER INSULATE SHEET PWR ELE.BOARD P0053	(ONLY 120V)
19	11004793	996530002544	SB/SS CUP WARMING LID G0053		54	11007234	996530004168	UPPER INSULATE SHEET PWR ELE.BOARD P0053	(ONLY 120V)
20	11008183	996530004759	GREY SEAL FOR CUP WARMING LID G0053						
21	11009191	996530005331	BLACK POWER BOARD PROTECTION V2 P0049						
22	11007175	996530004107	TITANIO LEFT SIDE CASING G0053						
23	12000450	996530007819	SCREW TCB TORX 10 3,5X12 PLAST.ZN-N						
24	11007232	996530004166	TITANIO WATER-STEAM KNOB G0053						
25	11007207	996530004142	BLACK FRONT CASING G0053/A-B ASSY.						
26	11008094	996530004719	NAT/GREY GROUND COFF.CONTAINER CAP G0053						
27	129661702	996530012992	SCREW TCB TORX 3,5X30 PLAST.ZN-B						

**GAGGIA**

**GAGGIA PLATINUM VOGUE**

TABLE 1/5


**GAGGIA**®

**SUP034OR**

 RI 8174/00- 02- 03- 41- 43  
 RI 9304/21- 48

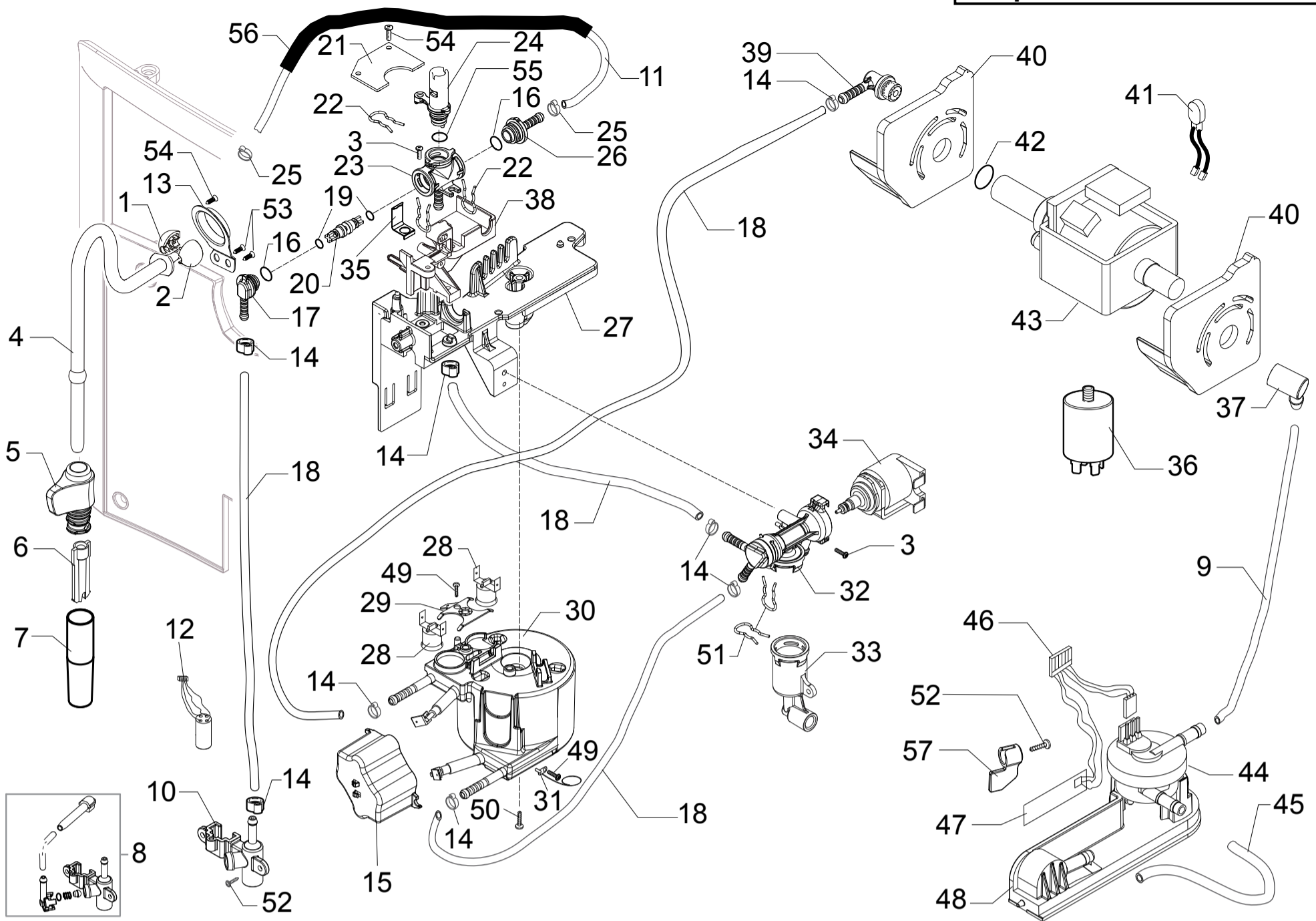
 Cod.10002007-1952-2486-2511-2487  
 Cod. 10001705- 2488

POS	CODE	12NC	DESCRIPTION	NOTE	POS	CODE	12NC	DESCRIPTION	NOTE
01	11004100	996530002042	CHROM.COFFEE HEIGHT REGULATION NUT P0049		37	11006504	996530003617	BLACK TUBE TEFLON INSERT G0053	
02	148740600	996530017514	SLIDE FOR DRIP TRAY P117		38	11003399	996530001647	SPECCHIATO DRIP TRAY PROTECTION P0053	
03	11007211	996530004146	CHROM.FRONT COF.DISPENS.COVER S/SC.G0053		39	129913202	996530013156	SCREW TCB TORX 10 3X8 PLAST.ZN-B	
04	11007213	996530004148	CHROMATED DRIP TRAY GRATE SUPPORT G0053		40	11007420	996530004295	COFF.DISPENSER INTERNAL CONNECT.V2 P124	
05	11007179	996530004112	TITANIO REAR COFF.DISPENSER COVER G0053		41	11008901	996530005093	BLACK LIGHT GUIDE BODY G0053/A	
06	11005115	996530002758	CARBONA DRIP TRAY SUPPORT INSERT G0053		42	11001355	996530000773	BLACK COFFEE DOSE BUTTON P0049/B	
07	11006036	996530003308	BLACK BUTTON INSERT S/SCR.WATER G0053/A		43	11002065	996530001132	TRANSP.CAP LED COVER P0053/A	
08	11002111	996530001158	BLACK COFFEE DISPEN.HEAD BODY CAP P0053		44	11002067	996530001134	BLACK COFFEE DOSE BUTTON SPACER P0053/A	
09	11001354	996530000772	BLACK COFFEE BUTTON P0049/B		45	11008956	996530005133	SS DOOR LOCK SPRING G0053	
10	11002049	996530001126	BLACK COFFEE DISPENSER BODY P0053						
11	11004782	996530002535	BLACK WATER BUTTON G0053/A						
12	11002068	996530001135	SS BUTTONS SPRING P0053/A						
13	11007214	996530004149	TITANIO CREAM ADJUSTMENT KNOB G0053						
14	20003341	996530010153	KIT SPARES CPU+SW V2 P0053/A-G0053/P ASS						
15	11007277	996530004197	BLACK FRONT PANEL SUPPORT G0053/A						
16	149198700	996530017958	BLK COFF.CREAM ADJUSTMENT SHAFT SUPPORT						
17	140326661	996530013546	OR ORM 0040-20 BLACK EPDM						
18	126772518	996530011711	SS COFF.CREAM ADJUSTMENT SHAFT SPRING						
19	140640200	996530013621	WHITE COFFEE CREAM ADJUSTMENT SHAFT						
20	11004795	996530002546	CARBONA DRIP TRAY SUPPORT G0053						
21	11000290	996530000179	BLACK COFFEE DISPENSER TUBE P124						
22	11004741	996530002513	BLACK DRIP TRAY GUIDE G0053						
	11009286	996530005377	BLACK DRIP TRAY GUIDE G0053 UL						
23	11004773	996530002527	SB/STAINLESS STEEL GRATE G0053						
24	11008883	996530005085	TITANIO DRIP TRAY G0053 ASSY.						
25	12000070	996530007732	OR ORM 0060-15 SILICONE						
26	11012479	996530006417	BLACK FRONT PLATE DISPLAY G0053/A ASSY.						
27	11002061	996530001127	BLACK SUPPORT FOR RING NUT P0053/A						
28	11002062	996530001128	BLACK BUTTONS SUPPORT P0053/A						
29	11002066	996530001133	BLACK COFFEE BUTTON SPACER P0053/A						
30	11001320	996530000752	BLACK GEAR Z=19 P0049						
31	11001766	996530001008	TEFLON TUBE 2X4 L=125 MM ASSY.						
32	140328059	996530013564	OR 2015 SILICONE PTFE/FDA						
33	12000450	996530007819	SCREW TCB TORX 10 3,5X12 PLAST.ZN-N						
34	11002130	996530001168	COFF.DISPENSER FAST LOCK CONNECTOR P0053						
35	9011.144	996530048885	SS FORK FOR TUBE D=4						
36	11005996	996530003276	BLACK COFFEE DISPENSER G0053						

**GAGGIA**®

**GAGGIA PLATINUM VOGUE**

TABLE 2/5



**GAGGIA**

**SUP034OR**

RI 8174/00- 02- 03- 41- 43  
RI 9304/21- 48



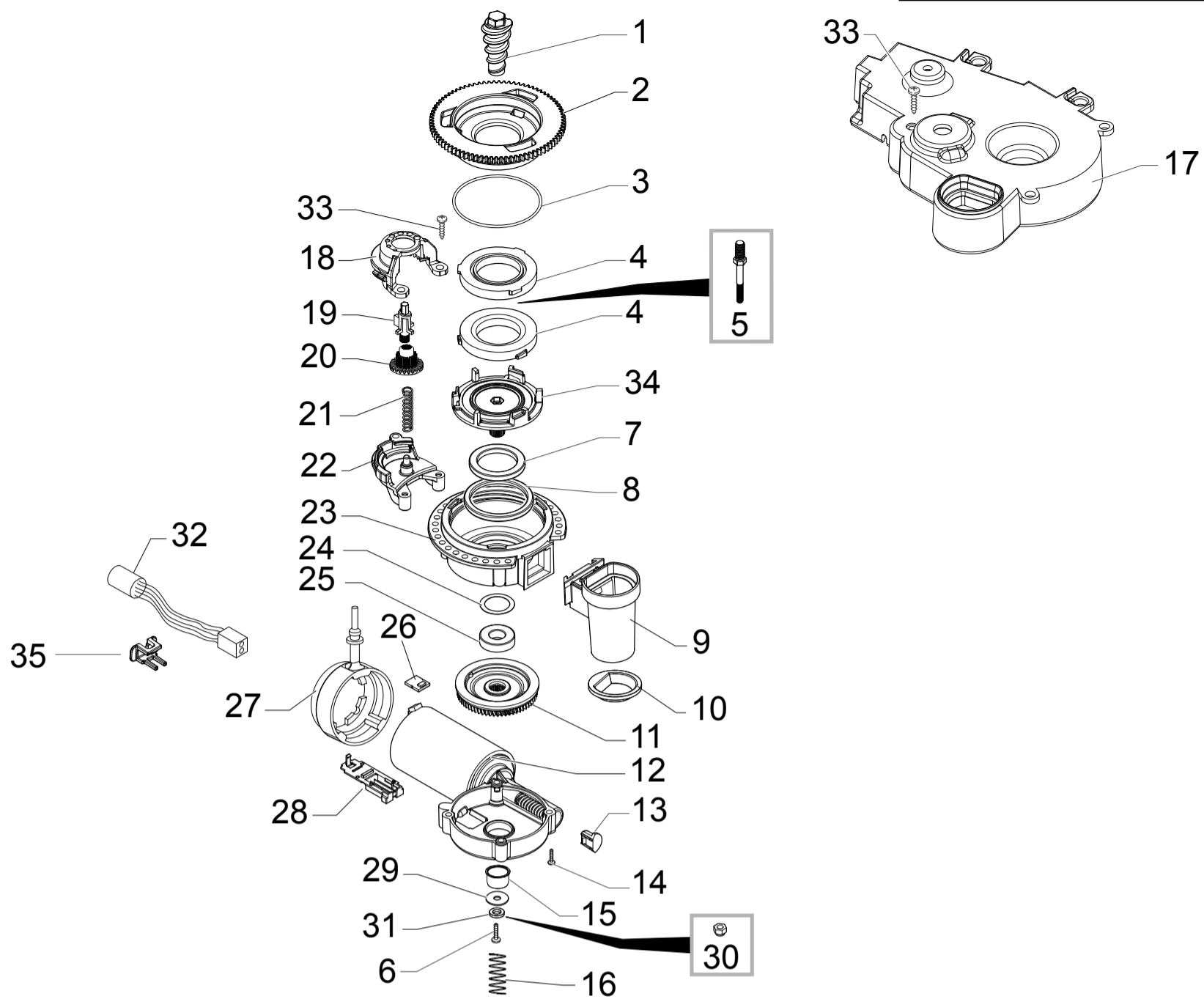
Cod.10002007-1952-2486-2511-2487  
Cod. 10001705- 2488

POS	CODE	12NC	DESCRIPTION	NOTE	POS	CODE	12NC	DESCRIPTION	NOTE	
01	11007189	996530004122	BLACK LEFT INSERT FOR STEAM TUBE G0053		36	12000005	996530007709	ANTIDISTURB FILTER 10A FNC 1005474103P	230V	
02	11006922	996530003904	BLACK RIGHT INSERT FOR STEAM TUBE G0053			12000007	996530007711	QUICK-LOCK ANTIDISTURB FILTER 16A	120V	
03	129913902	996530013164	SCREW TCB TORX 10 3X12 PLAST.ZN-B		37	147920150	996530017348	90° INLET PUMP CONNECTOR		
04	11005992	996530003274	SS STEAM TUBE + PANN.G0053 ASSY.		38	11006022	996530003294	BLACK FAUCET SUPPORT G0053		
05	11007194	996530004127	BLACK/EPDM STEAM TUBE HANDGRIP G0053		39	11001054	996530000624	BLK PUMP OUTLET 90°CONNECTOR P0049/B		
06	11001620	996530000925	BLACK PANNARELLO INNER TUBE P0049		40	11006296	996530003462	BLACK PUMP SUPPORT P0049 ASSY.		
07	11011504	996530006079	TF/CHROM.PANNARELLO COVER P0049		41	11005668	996530003036	2POLES CONNECTOR PUMP P0049 UL		
08			PARTICULARS NOT AVAILABLE <b>UP TO S/N.9007GA40049955</b>	SEE PART.N°10	42	140321961	996530013471	O-RING 2031 TERMOIL		
09	149360200	996530018269	SILICONE TUBE 5X8 70SR	IN ROLL	43	12000140	996530007753	ULKA PUMP EP5/S GW	230V-50HZ	
10	11007421	996530004296	BLACK CONNECTOR P0054 <b>FROM S/N.9007GA40049956</b>			12000142	996530007754	ULKA PUMP EAP5/S	120V-60HZ	
11	16000170	996530009478	WHITE BRAIDED SILICON TUBE 3X6	IN ROLL		12000182	996530007782	ULKA PUMP EP5/S GW	220V-60HZ	
12	11000465	996530000289	4POLE FEMALE CONNECTOR P0054		44	12000781	996530007887	TURBINE D=1,2 932-8521/90 ASSY.		
13	4332055000	996530037162	SS SUPPORT FOR SPHERIC UNION		45	JS01.022	996530057357	SILICONE TUBE 5X10 60SH	IN ROLL	
14	12000892	996530007947	OETIKER CLAMP D=9,5 16700004		46	11007550	996530004408	6POLES CONNECTOR LEVEL+FLOWMETER G0053		
15	11005284	996530002821	BLACKBOILER CONNECTORS COVER P0049/P0053		47	11000651	996530000425	WATER LEVEL SENSOR BOARD P124		
16	12001613	9965300067867	O-RING 108 EPDM PEROX.FOOD 70 SH		48	11003670	996530001828	BLACK TURBINE SUPPORT V2 P0049		
17	11001544	996530000888	BLACK FAUCET CONNECTOR P0049		49	12001715	9965300069758	SCREW TCB TORX 20 M4X8 AUTOFORMING ZN-B		
18	16000703	996530009543	PLATINIC SILICONE TUBE 5X9,1	IN ROLL	50	129932502	996530013201	SCREW TSP 5X30 PLAST.ZN-B		
19	12001614	9965300067769	OR 2012 IN EPDM PEROX.FOOD 70 SH		51	11005096	996530002744	SS FORK SPRING FOR BLOWDOWN VALVE P0049		
20	11004134	996530002075	TEA/BRASS FAUCET SHAFT P0049		52	12000450	996530007819	SCREW TCB TORX 10 3,5X12 PLAST.ZN-N		
21	11007569	996530004425	FAUCET ELECTRONIC CARD G0053 ASSY.		53	U043.017	9965300061819	SCREW TCB TORX 10 M3X12 ZN-B		
22	11001499	996530000853	SS FAUCET FORK SPRING P0049		54	129913202	996530013156	SCREW TCB TORX 10 3X8 PLAST.ZN-B		
23	11004625	996530002455	TEA/BRASS FAUCET CASING P0049		55	12001615	9965300067929	OR 2025 IN EPDM PEROX.FOOD 70 SH		
24	11025776	9965300067941	PLAST/BRASS FAUCET SHAFT V2 P0049 ASSY.		56	149361200	996530018278	BLACK SILICONE TUBE 7,5X9,3	IN ROLL	
25	NF11.052	996530059178	OETIKER CLIP		57	17001879	996530073171	BLK CAPACIT.SENSOR DEADLOCK INSERT P0049		
26	11001546	996530000891	BLACK FAUCET STRAIGHT CONNECTOR P0049			11025775	996530067768	TEA/BRASS FAUCET V2 P0049-P0053 ASSY. WITH PART. N°16-17-19-20-22-23-24-26-55		
27	11001332	996530000755	BLACK BOILER-FAUCET-VALVE SUPPORT P0049			11001543	996530000887	BLOWDOWN VALVE P0049 ASSY.	230V	
28	189428600	996530026958	THERMOSTAT 175° 1NT-08L-5125 <b>UP TO S/N. 9008GA40129106</b> THERMOSTAT ONE SHOT 175° <b>FROM S/N. 9008GA40129107</b>			11005604	996530003001	BLOWDOWN VALVE P0049 ASSY.	120V	
		12001034	996530007974			11009021	996530005185	BLOWDOWN VALVE P0049 ASSY. CON PART. N°32-33-34-51	220V-60HZ	
29	11001751	996530000997	TUB.BOILER V3 UPPER THERM.FIXING SPRING			11005994	996530003275	TUB.BOILER G0053 230V ASSY.	COMPLETE	
30	11011341	996530006025	V4 TUB.BOILER ASSY.	1300W 230V		11008845	996530005057	TUB.BOILER G0053 120V ASSY.	COMPLETE	
		11011342	996530006026	V4 TUB.BOILER ASSY.	1300W 120V		11027710	996530072802	TUB.BOILER G0053 220V-60HZ ASSY.	COMPLETE
31	190800100	996530026997	TEMPERATURE SENSOR NTC UL L=280MM							
32	20000591	996530009861	BLK BLOWDOWN VALVE CASING KIT P0049							
33	20000592	996530009862	BLOWDOWN VALVE CONNECTOR P0049 ASSY.							
34	20000590	996530009859	BLOWDOWN VALVE COIL P0049 ASSY.	230V						
		20000680	996530009874	BLOWDOWN VALVE COIL P0049 ASSY.	120V					
		20000920	996530009914	BLOWDOWN VALVE COIL P0049 ASSY	220V-60HZ					
35	11002957	996530001408	SS.FAUCET FOR SPRING P0049							

**GAGGIA**

**GAGGIA PLATINUM VOGUE**

**TABLE 3/5**



**GAGGIA**®

**SUP034OR**

RI 8174/00- 02- 03- 41- 43  
RI 9304/21- 48



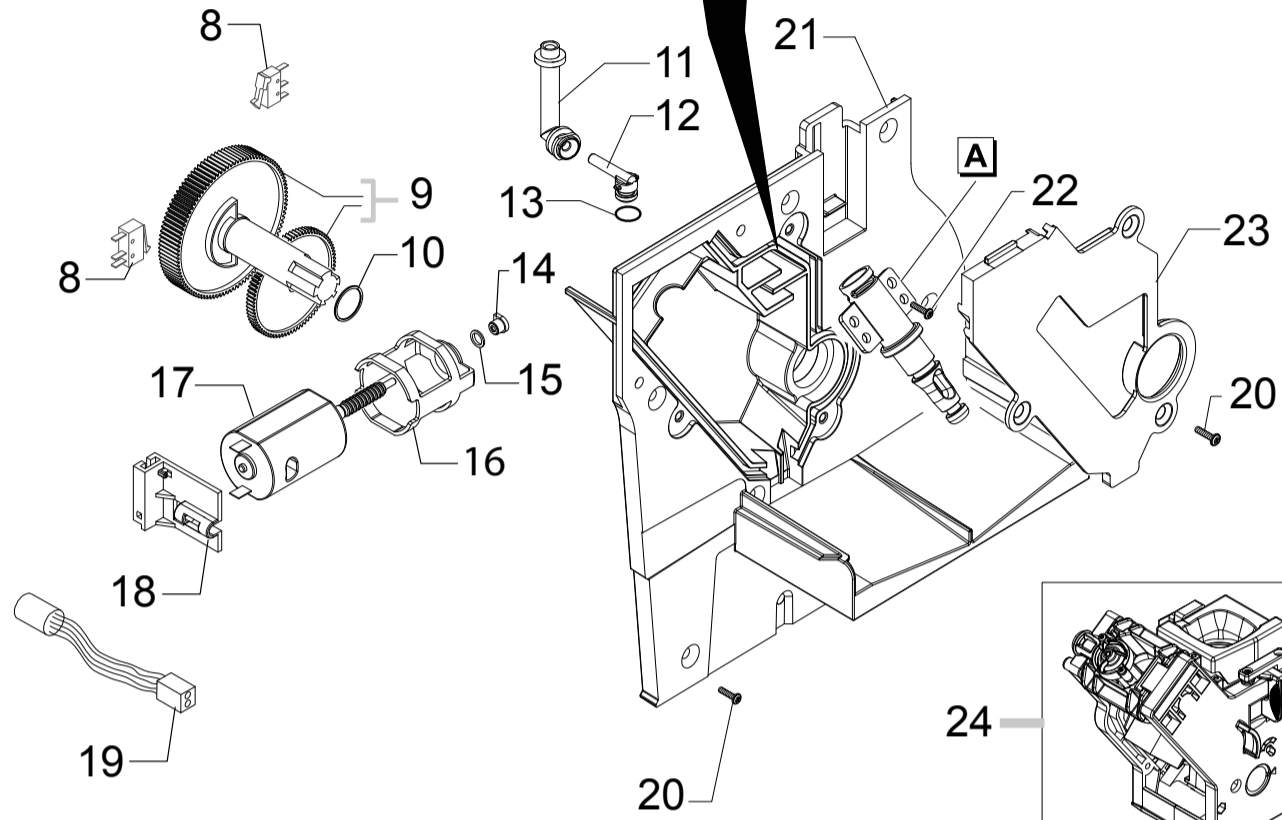
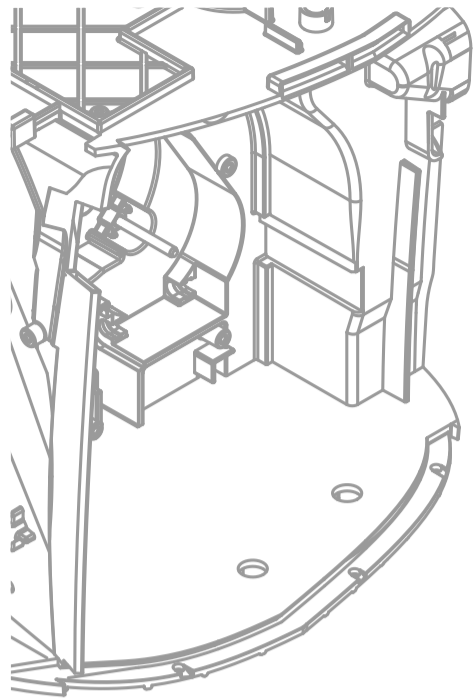
Cod.10002007-1952-2486-2511-2487  
Cod. 10001705- 2488

POS	CODE	12NC	DESCRIPTION	NOTE	POS	CODE	12NC	DESCRIPTION	NOTE
01	9141.001	996530050195	BRASS INCREMENT SCREW MC <b>UP TO S/N.9008GA40111060</b>		31	128310402	996530012341	GALV.WASHER UNI 8842 A4 <b>FROM S/N.9008GA40111061</b>	
	11011205	996530005991	TEA ZAMA INCREASE SCREW GRINDER <b>FROM S/N.9008GA40111061</b>		32	11005658	996530003033	5POLES CONNECTOR MC SENSORS P0049 UL	
02	149198250	996530017951	BLK UPPER COFFEEGRINDER GRINDER SUPPORT		33	129914002	996530013165	SCREW TCB TORX 10 3,5X16 PLAST.ZN-B	
03	140328960	996530013577	OR ORM 0530-15 NBR FDA		34	149198350	996530017952	BLK LOWER COFFEEGRINDER GRINDER SUPPORT	
04	146520100	996530016342	BAKED CLAY GRINDER 48X28		35	17001921	996530072477	BLK WIRING FIX INSERT FOR GRINDER BOARD	
05	127473603	996530012028	STEEL PIN M4-M6 FOR INCREMENT SCREW <b>UP TO S/N.9008GA40111060</b>			11007416	996530004292	GEN.MOTOR COF.GRINDER V2 P0049 230V ASSY	
06	129574802	996530012928	SCREW TCB TORX 20 M4X30 ZN-B <b>FROM S/N.9008GA40111061</b>			11007417	996530004293	GEN.MOTOR COF.GRINDER V2 P0049 120V ASSY	
07	123030300	996530011183	AXIAL BEARING EKKO 342.35252						
08	140360500	996530013597	FELT RING 45,4X39,4X4						
09	11026355	996530068049	BLK GROUND COFF.OUTLET CONVEYOR V4 ASSY.						
10	11030459	996530072511	GRY GROUND COFFEE CONT.LOWER SEAL SMART1						
11	226000300	996530029609	GEAR SX Z=38 FOR GRINDER MOTION ASSY.						
12	11000513	996530000317	MOTOR COFFEEGRINDER V3.1 ASSY.	230V					
	11000511	996530000315	MOTOR COFFEEGRINDER V3.1 ASSY.	120V					
13	149214800	996530018139	MC V3 MOD=1,25 WORM SCREW CENTRING CAP						
14	129661702	996530012992	SCREW TCB TORX 3,5X30 PLAST.ZN-B						
15	11002873	996530001389	INSULATOR BUSH FOR GRINDER MOTOR P124						
16	11000597	996530000376	STEEL COF.GRINDER SUPPORT SPRING P124						
17	11001826	996530001044	COFFEE GRINDER SOUNDPROOFING COVER P0053						
18	11002508	996530001296	UPPER COFFEEGRINDER GEAR SUPPORT P124						
19	11003446	996530001673	BLACK BEAN COFFEE GRINDER INSERT P0049						
20	11003784	996530001907	COFFEE GRINDING ADJUSTMENT GEAR P0049						
21	11002572	996530001308	COFFEEGRINDER REGULATION SPRING P124						
22	11002613	996530001314	LOWER COFFEEGRINDER GEAR SUPPORT P124						
23	142905450	996530015258	BLK UPPER BODY WITH COFFEE GROUND OUTLET						
24	128381800	996530012374	STEEL CRINKLE WASHER 21,8X14X0,25						
25	123030200	996530011182	RADIAL BEARING 61900.2RS1						
26	181540900	996530022784	ELECTR.BOARD WITH SENSOR HAL506 SF-K						
27	11001367	996530000785	BLACK COFFEE GRINDER SUPPORT P0049						
28	149199050	996530017963	BLK SENSOR SUPPORT FOR COF.GRINDER MOTOR						
29	128381902	996530012375	STEEL FLAT WASHER DI=4,3 DE=14 SP=1,5						
30	123453102	996530011241	GALV.SELF LOCK NUT HIGH M4 DIN 982 <b>UP TO S/N.9008GA40111060</b>						

**GAGGIA**®

**GAGGIA PLATINUM VOGUE**

TABLE 4/5



**GAGGIA**<sup>®</sup>

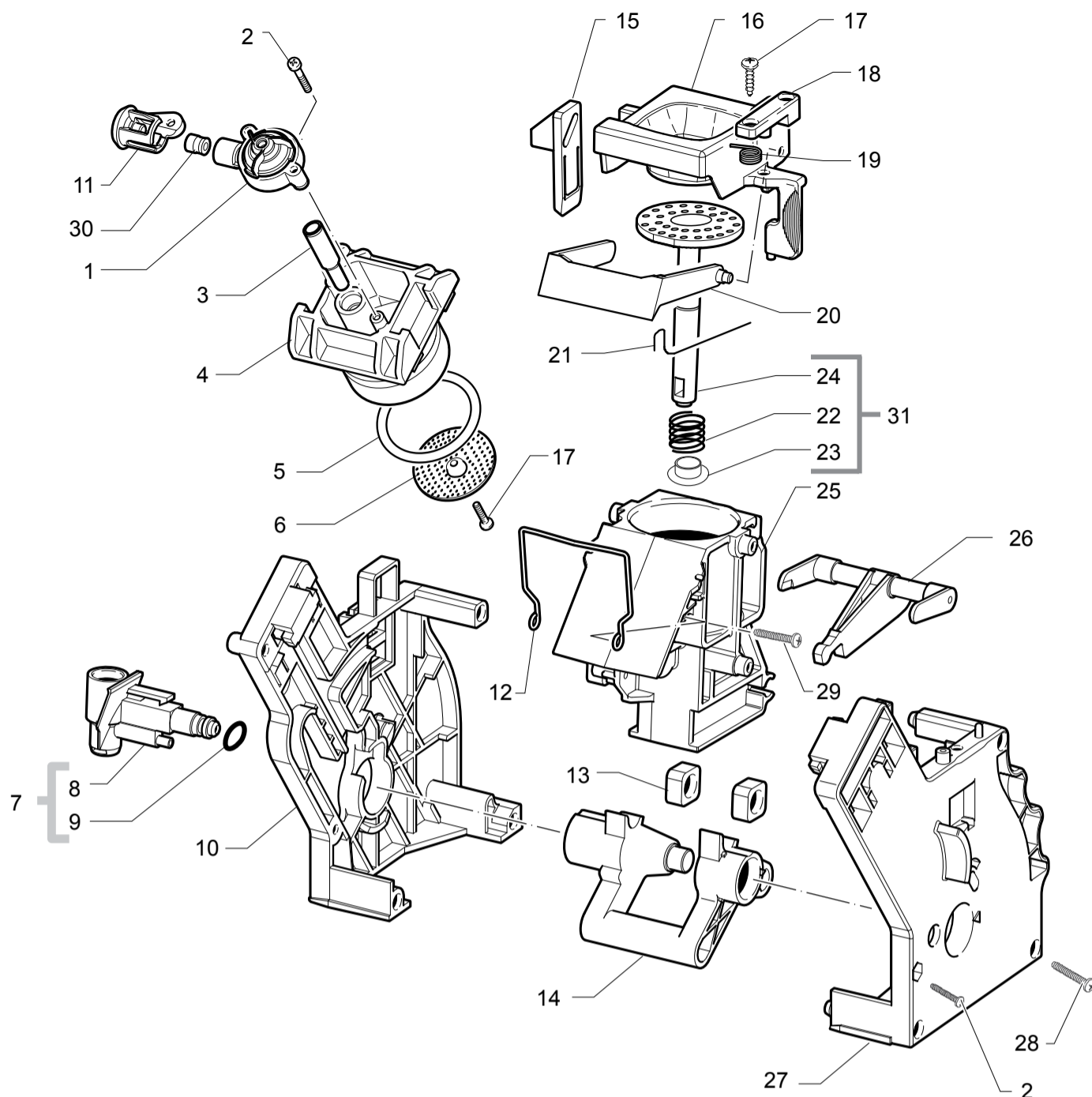
**SUP034OR**

RI 8174/00- 02- 03- 41- 43  
RI 9304/21- 48



Cod.10002007-1952-2486-2511-2487  
Cod. 10001705- 2488

POS	CODE	12NC	DESCRIPTION	NOTE	POS	CODE	12NC	DESCRIPTION	NOTE
01	11005113	996530002757	PIN V2 FOR BOILER P049/B ASSY.						
02	140324459	996530013508	OR ORM 0060-20 SILICONE PTFE/FDA						
03	11003820	996530001932	BLACK CAP V2 FOR PIN BOILER P119						
04	140328059	996530013564	OR 2015 SILICONE PTFE/FDA						
05	NM01.035	996530059399	OR ORM 0090-20 SILICONE						
06	11003801	996530001926	NAT.PIN V2 FOR BOILER P119						
07	NM01.057	996530059419	OR ORM 0050-20 IN SILICONE						
08	NE05.038	996530058869	MICROSWITCH SAIA XCG5-81-P5						
09	20000900	996530009913	SPARES KIT GEARS FOR RATIOMOTOR V2						
10	9161.132	996530050569	MYLAR WASHER FOR RATIOMOTOR						
11	11004086	996530002028	BLK VALVE WATER DESCARGING 90°CONN.P0049						
12	11003648	996530001805	BLK COVER WATER DESCARGING 90°CONN.P0049						
13	140325462	996530013526	OR ORM 0070-20 SILICONE						
14	9121.046	996530049898	BRONZE SINTERED BUSH FOR MOTOR RATIOMOT.						
15	148380200	996530017424	BAKELIZZATE WASHER D=5,5						
16	9121.044	996530049896	ANTIVIBRATION FOR MOTOR						
17	11005214	996530002796	MOTOR FOR RATIOMOTOR P124 ASSY.						
18	11001331	996530000754	BLACK DUMP BOX MICROSWITCH SUPPORT P0049						
19	11003661	996530001819	REED SENSOR MK3-1A66-BV16451						
20	129914102	996530013166	SCREW TSP TORX 10 3,5X12 PLAST.ZN-B						
21	11006337	996530003482	BLACK COVER MOUNTING PLATE P0049 ASSY.						
	11009287	996530005378	BLACK COVER MOUNTING PLATE P0049 UL ASSY						
22	129914002	996530013165	SCREW TCB TORX 10 3,5X16 PLAST.ZN-B						
23	11001312	996530000748	BLACK COVER FOR BOILER VAIN P0049						
	11009284	996530005375	BLACK COVER FOR BOILER VAIN P0049 UL						
24	11005921	996530003229	BLACK BREW UNIT 8GR/SBS V2 P124						
			<b>SEE EXPL.CODE E90060 NEXT PAGE</b>						
25	11022216	996530007256	BLACK MOUNTING PLATE COVER PROTECT.P0049						



SUP030-032



Cod. 11005921

POS	CODE	12NC	DESCRIPTION	NOTE	POS	CODE	12NC	DESCRIPTION	NOTE
01	11010660	996530005823	SBS VALVE STD ASSY.						
02	12000550	996530007838	SCREW TCB TORX 10 3X25 PLAST.SS						
03	11009276	996530005372	BLK COUNTER PISTON TUBE BREW UNIT S0053						
04	11001840	996530001046	BLACK COUNTER PISTON BREW UNIT 8GR.P124						
05	NM01.044	996530059406	OR ORM 0320-40 SILICONE PTFE/FDA						
06	9161.268	996530050709	PERCOLATOR DE=35,8 ELFO						
07	20000440	996530009825	BLACK WATER INLET SLEEVE BREW UNIT ASSY.						
08	9161.064.050	996530050488	BLACK WATER INLET SLEEVE BREW UNIT ROYAL						
09	NM02.007	996530059441	OR 2025 IN TERMOIL						
10	9161.375.050	996530050832	BLACK BREW UNIT REAR PLATE SMART						
11	145899250	996530016147	BLK COFFEE CONNECTION BREW UNIT P124						
12	11001556	996530000898	SS BREW UNIT SPRING H=49 SMART						
13	9161.094.050	996530050539	BLACK BREW UNIT DRILLED BLOCK						
14	9161.066.050	996530050492	BLACK BREW UNIT ELBOW SHAFT M5000						
15	9161.373.050	996530050827	BLACK BREW UNIT COUPLING PLATE SMART						
16	149261350	996530018241	BLACK HOPPER DOSER BREW UNIT SMART1						
17	12000895	996530007951	SCREW TSP TORX 10 3X10 PLAST.SS						
18	9161.374.050	996530050829	BLK BREWUNIT HOPPER BLOCKING PLATE SMART						
19	9161.378	996530050838	SS HOPPER SPRING FOR BREW UNIT SMART						
20	11004161	996530002096	BLACK SCRAPER FOR BREW UNIT M5000						
21	9161.046	996530050455	SS SCRAPER SPRING FOR BREW UNIT						
22	9161.198	996530050627	SS.8GR.BREW UNIT PISTON SPRING						
23	9161.191	996530050618	WHITE 8GR.-12GR.BREW UNIT PISTON BUSH						
24	11003077	996530001451	BLK BREW UNIT INTEGRAL PISTON 8GR.ASSY.						
25	11003075	996530001448	BLACK COFFEE CONTAINER BREW UNIT P124						
26	11003078	996530001452	BLACK CONNECTING ROD BREW UNIT 8GR.						
27	11005920	996530003228	BLACK BREW UNIT FRONT PLATE S/SCR.SMART						
28	12000897	996530007953	SCREW TCB TORX 10 3,5X20 PLAST.SS						
29	129912521	996530013148	SCREW TCB TORX 10 3,5X14 PLAST.SS						
30	145857962	996530016004	BLACK COFFEE CONNECTOR INSERT SEAL P124						
31	11023086	996530007577	BLK 8GR.BREW UNIT NTEGR.PISTON GEN.ASSY.						
	11005921	996530003229	BLACK BREW UNIT 8GR/SBS V2 P124						



GRUPPO CAFFE' SBS 8GR. SBS NERO