

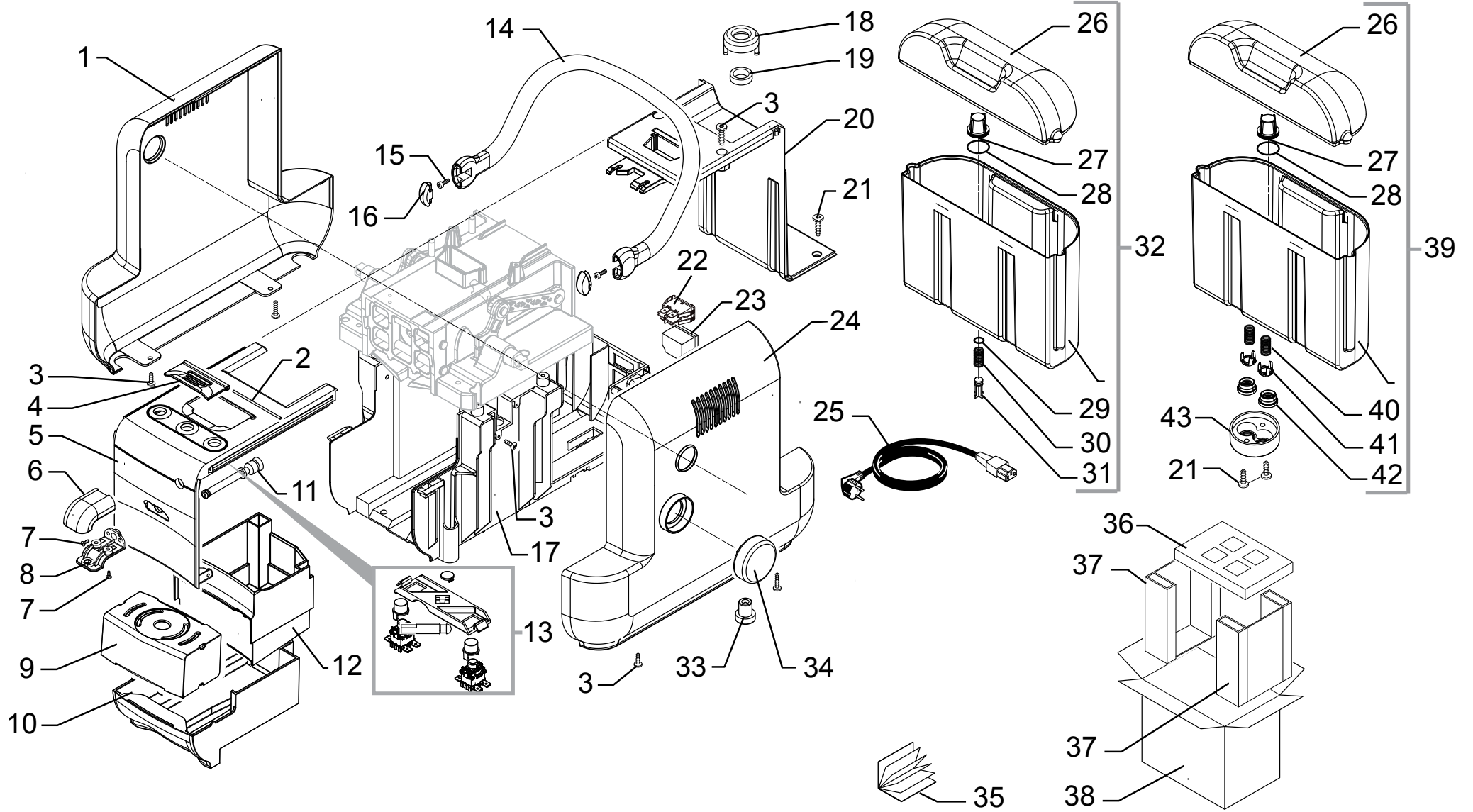
Saeco SIN029
INTERNATIONAL GROUP

RI9575/05-08-11-13-15-16-17-18-19
RI9575/21-25-27-28-29-31-35-36-38-39-48
RI9575/71-81 RI9576/05-15-25-35-41-71



Cod.10003305-07-3420-22-3086-87-88-3109-3213
3089-3134-60-68-3214-15-41-42-3306-08-66-3421-23
3694-3708-3919-17-18-27-26-30-2953-54-55-56

POS	CODE	12NC	DESCRIPTION	NOTE	POS	CODE	12NC	DESCRIPTION	NOTE
01	11012671	996530006457	ORANGE LEFT SIDE CASING S/SCR.EXTRA P604		17	11007933	996530004643	SILVER CASING BOTTOM P604	
	11011305	996530006019	WHITE LEFT SIDE CASING S/SCR.EXTRA P604					UP TO S.N. 9010SC10107992	
	11012673	996530006459	BLUE LEFT SIDE CASING S/SCR.EXTRA P604			11024884	996530068467	SILVER CASING BOTTOM V3 P604	
	11012670	996530006456	GREEN LEFT SIDE CASING S/SCR.EXTRA P604					FROM S.N.9010SC10107993	
	11012672	996530006458	FUCHSIA LEFT SIDE CASING S/SC.EXTRA P604		18	0701.031.150	996530044417	GREY WATER VALVE GACO DIM 14 SEAL COVER	
	11008346	996530004816	BLACK LEFT SIDE CASING S/SCR.EXTRA P604					UP TO S.N.9011SC10080093	
	11021708	996530007112	RED LEFT SIDE CASING S/SCR.EXTRA P604		19	145842900	996530015823	NBR WATER CONT.VALVE GACO DIM14 SEAL	
	11025123	996530069901	PURPLE LEFT SIDE CASING S/SC.EXTRA P604					UP TO S.N.9011SC10080093	
	11025168	996530069893	YELLOW LEFT SIDE CASING S/SC.EXTRA P604		20	11007932	996530004642	SILVER REAR CASING COVER P604	
02	11007438	996530004313	STEEL PIN UPPER COVER CASING DOOR P604					UP TO S.N.9010SC10107992	
03	129912104	996530013143	SCREW TCBR TORX 20 4X10 PLAST.ZN-N			11024908	996530068472	SILVER REAR CASING COVER V2 P604	
04	11007931	996530004641	SILVER UPPER COVER CASING DOOR P604					FROM S.N.9010SC10107993	
05	11012720	996530006499	SILV.UPPER COVER CASING P604/M S/SCR.GRN					UP TO S.N.9011SC10080093	
	11012721	996530006501	SILV.UPPER COVER CASING P604/M S/SCR.ORG			11026142	996530069895	SILVER REAR CASING COVER V3 P604	
	11012722	996530006502	SILV.UPPER COVER CASING P604/M S/SCR.FUC					FROM S.N.9011SC10080094	
	11012723	996530006503	SILV.UPPER COVER CASING P604/M S/SCR.BLU		21	129912521	996530013148	SCREW TCBR TORX 10 3,5X14 PLAST.SS	
	11008047	996530004694	SILVER UPPER COVER CASING P604/M S/SCR.		22	NE03.038	996530058836	BIPOLAR SWITCH FUSIT C1250AR	
	11021754	996530007134	SILV.UPPER COVER CASING P604/M S/SCR.RED		23	12000280	996530007788	CUP SOCKET EN 60320 C 13	
	11025120	996530069898	SILV.UPPER COVER CASING P604/M S/SCR.PRP		24	11012661	996530006453	ORANGE RIGHT SIDE CASING P604/E-M	
	11025166	996530069892	SILV.UPPER COVER CASING P604/M S/SCR.YLW			11011300	996530006018	WHITE RIGHT SIDE CASING P604/E-M	
06	11007489	996530004361	CHROM.COFFEE DISPENSER COVER P604			11012665	996530006455	BLUE RIGHT SIDE CASING P604/E-M	
07	U110.010	996530061921	SCREW AUT.TCB 2,9X6,5 DIN 7981 F			11012606	996530006436	GREEN RIGHT SIDE CASING P604/E-M	
08	11007461	996530004332	BLACK COFFEE DISPENSER SUPPORT P604			11012662	996530006454	FUCHSIA RIGHT SIDE CASING P604/E-M	
09	11007927	996530004637	SILVER GRATE FOR DRIP TRAY P604			11007431	996530004306	BLACK RIGHT SIDE CASING P604/E-M	
			UP TO S.N. 9010SC10107992			11007499	996530004367	RED RIGHT SIDE CASING P604/E-M	
	11024891	996530068468	SILVER GRATE V2 FOR DRIP TRAY P604			11025121	996530069899	PURPLE RIGHT SIDE CASING P604/E-M	
			FROM S.N.9010SC10107993			11025169	996530069891	YELLOW RIGHT SIDE CASING P604/E-M	
10	11007928	996530004638	SILVER DRIP TRAY P604		25	183911050	996530025808	BLACK POWER CABLE SCHUKO L=1200	
			UP TO S.N. 9010SC10107992			183970350	996530025882	BLACK POWER CABLE UK L=1200	
	11024888	996530068471	SILVER DRIP TRAY V2 P604			183940650	996530025872	BLACK POWER CABLE AUSTRALIA L=1200	
			FROM S.N.9010SC10107993			11021907	996530007196	BLACK POWER CABLE SOUTHAFRICA L=1200MM	
11	11007463	996530004333	BLACK COFFEE OUTLET CONVEYOR P604		26	11007426	996530004302	NAT/GREY WATER CONTAINER LID P604	
12	11007929	996530004639	SILVER DUMP BOX P604		27	224640200	996530029115	WHITE WATER CONTAINER EXT.FILTER ASSY.	WITH PART.N°28
13	20006975	996530068443	KIT SPARES 230V BLK/SIL.BUTT.SUPP.P604/M		28	140328461	996530013571	OR ORM 0190-10 EPDM	
14	11007454	996530004325	ALUM.HANDLE FOR MECH.P604		29	140324362	996530013507	OR ORM 0060-30 SILICONE	
15	UN5931-5X25Z	996530062185	ZN-B TCEI SCREW M5X25 UNI 5931		30	126764718	996530011626	SS WATER CONTAINER VALVE SPRING	
60	11007488	996530004359	CHROMED CAP FOR HANDLE MECH.P604		31	147660562	996530016894	GREY PISTON FOR WATER CONTAINER VALVE	



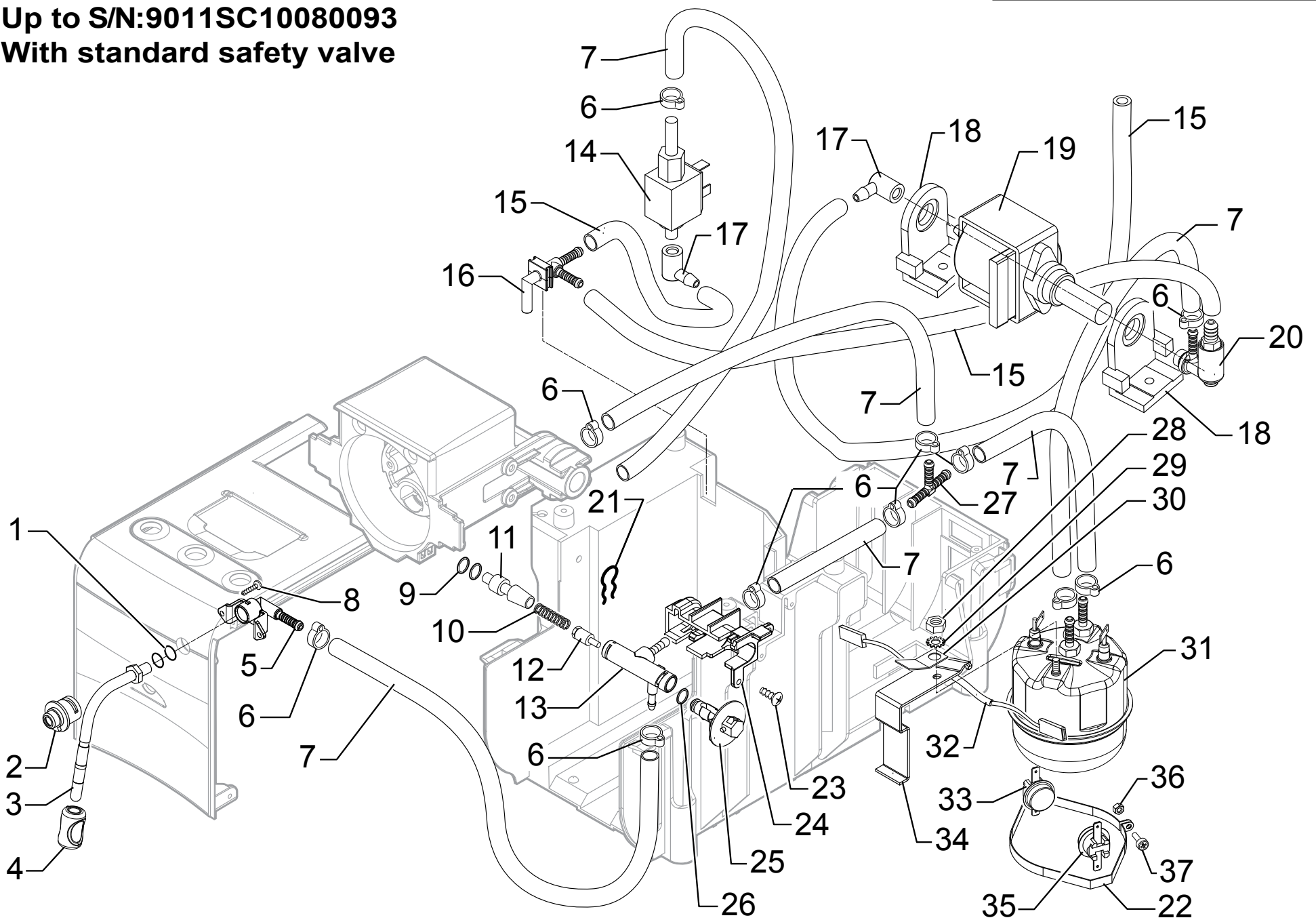
RI9575/05-08-11-13-15-16-17-18-19
 RI9575/21-25-27-28-29-31-35-36-38-39-48
 RI9575/71-81 RI9576/05-15-25-35-41-71



Cod.10003305-07-3420-22-3086-87-88-3109-3213
 3089-3134-60-68-3214-15-41-42-3306-08-66-3421-23
 3694-3708-3919-17-18-27-26-30-2953-54-55-56

POS	CODE	12NC	DESCRIPTION	NOTE	POS	CODE	12NC	DESCRIPTION	NOTE
32	11007922	996530004634	NAT/GREY WATER CONTAINER P604 ASSY. UP TO S.N.9011SC10080093						
33	147622800	996530016875	TRANSPARENT SILICONE FOOT						
34	11008006	996530004677	SILVER WATER-STEAM KNOB S/SCR.P604						
35	15001916	996530009332	MANUAL SAE LV AMM V2 11L. UP TO S.N. 9010SC10107992						
	15002628	996530068479	MANUAL SAE LV AMM V3 11L. FROM S.N.9010SC10107993						
	15001917	996530009333	MANUAL SAE LV AMM V2 EO UP TO S.N. 9010SC10107992						
	15002629	996530068464	MANUAL SAE LV AMM V3 EO FROM S.N.9010SC10107993						
36	13001094	996530008401	CARDBOARD BOX UPPER INSERT V2 P604 UP TO S.N. 9010SC10107992						
	13001298	996530068462	CARDBOARD BOX UPPER INSERT V3 P604 FROM S.N.9010SC10107993						
37	13000529	996530008216	CARDBOARD BOX LATERAL INSERT P604						
38	13001294	996530068469	DISPLAY BOX 11L.SAE LV AMM EXTRA V3						
	13001295	996530068466	DISPLAY BOX EO SAE LV AMM EXTRA V3						
39	11025954	996530069897	NAT/GREY WATER CONTAINER V3 P604 ASSY. FROM S.N.9011SC10080094						
40	11003672	996530001831	SS SPRING FOR WATER CONTAIN.VALVE P0049						
41	11003673	996530001832	GREY WATER CONTAINER VALVE INSERT P0049						
42	11003671	996530001829	TRANSP.VALVE FOR WATER CONTAINER P0049						
43	17001019	996530069894	NAT/GREY WATER CONT.V3 CONNECT.RING P604						

Up to S/N:9011SC10080093
With standard safety valve



SIN029

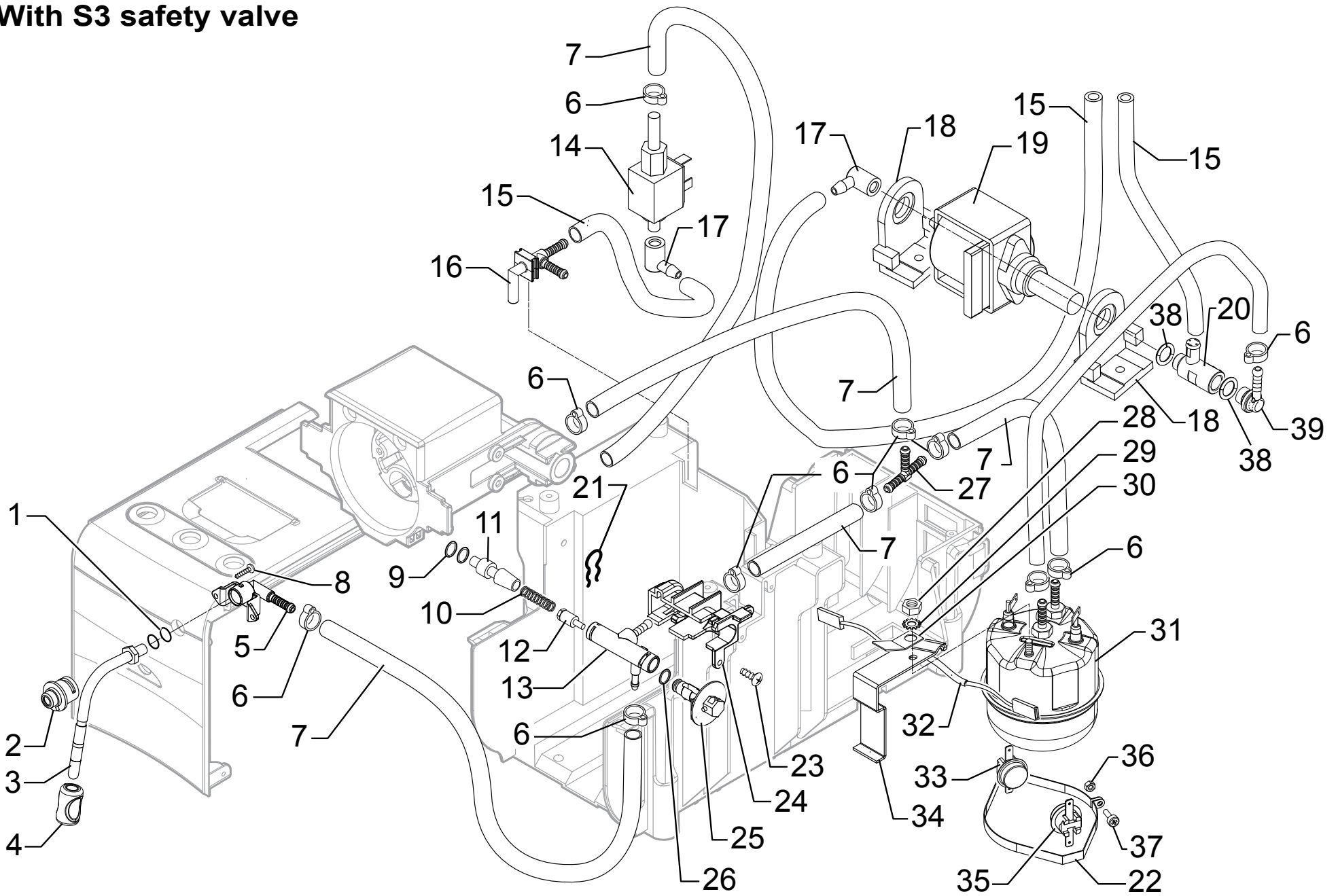
RI9575/05-08-11-13-15-16-17-18-19
RI9575/21-25-27-28-29-31-35-36-38-39-48
RI9575/71-81 RI9576/05-15-25-35-41-71



Cod.10003305-07-3420-22-3086-87-88-3109-3213
3089-3134-60-68-3214-15-41-42-3306-08-66-3421-23
3694-3708-3919-17-18-27-26-30-2953-54-55-56

POS	CODE	12NC	DESCRIPTION	NOTE	POS	CODE	12NC	DESCRIPTION	NOTE
01	140324461	996530013509	OR ORM 0060-20 TERMOIL		34	11008031	996530004688	STEEL BOILER SUPPORT P604	
02	141711350	996530013726	BLACK PC BUSH FOR STEAM TUBE P117		35	12000818	996530007905	THERMOSTAT 127° US-622PXRDN0	
03	11007926	996530004636	CHROM.STEAM TUBE P604 ASSY.		36	U310.001	996530062075	GALV.SELF LOCK. NUT M3 UNI 7473	
			UP TO S.N. 9010SC10107992		37	129570802	996530012908	SCREW TAPT M3X10 DIN 7985 GALV.	
	11013342	996530006747	CHROM.STEAM TUBE V3 P604 ASSY.						
			FROM S.N.9010SC10107993						
04	11008991	996530005152	BLACK STEAM TUBE HANDGRIP P604						
05	11007447	996530004321	BLACK CONNECTOR FOR BUSH+STEAM TUBE P604						
06	12000892	996530007947	OETIKER CLAMP D=9,5 16700004						
07	16000380	996530009505	5X8,9 SILICONE TUBE	IN ROLL					
08	U110.010	996530061921	SCREW AUT.TCB 2,9X6,5 DIN 7981 F						
09	140328059	996530013564	OR 2015 SILICONE PTFE/FDA						
10	126765317	996530011633	STEEL SPRING BOILER PISTON MAGIC						
11	11024769	996530069887	L-F/BRASS CAP FOR FAUCET NESPRESSO						
12	11024785	996530069889	L-F/BRASS PISTON L=15,1 ASSY.						
13	11024787	996530069888	L-F/BRASS STEAM FAUCET V2 P604						
14	12001223	996530008009	JIAYIN SOLENOID VALVE P604	230V					
15	JS01.022	996530057357	SILICONE TUBE 5X10 60SH	IN ROLL					
16	11007452	996530004324	BLACK OPEN DRIP TRAY CONNECTOR P604						
17	147920150	996530017348	90° INLET PUMP CONNECTOR						
18	17000449	996530068465	BLACK PUMP SUPPORT V2 P604						
19	12001721	996530068829	ULKA PUMP EP5/S M GW	230V-50HZ					
	12000167	996530007776	ULKA PUMP EP5/S GW	240V-50HZ					
20	11004689	996530002484	TEA/BRASS SAFETY VALVE 16-18 BAR ASSY.						
21	9011.144	996530048885	SS FORK FOR TUBE D=4						
22	11005973	996530003257	AUT/CAPS BOILER THERMOST.FIXING SPRING						
23	129660302	996530012971	PANELVIT TCB SCREW 3X10 DIN 7505 Z						
24	11007446	996530004319	BLACK FAUCET SUPPORT P604						
25	140640300	996530013622	FAUCET SHAFT SMART						
26	140328561	996530013573	O-RING 4,18X1,90 TERMOIL						
27	11007493	996530004363	T CONNECTOR FOR BOILER P604						
28	U302.003	996530062065	GALV.NUT HEXAGONAL M4 UNI 5588						
29	128310402	996530012341	GALV.WASHER UNI 8842 A4						
30	124390520	996530011326	BRASS BENT FASTON 45° 6,3X0,8						
31	20000921	996530009915	TEA/BR-SS BOILER AUT/CAPS P604 ASSY	230V					
32	11006956	996530003938	CABLE 1 WIRE SILIC.BLUE TH/FUSE 184°						
33	12000817	996530007904	THERMOSTAT 87° US-622PXRDN0						

From S/N:9011SC10080094
With S3 safety valve

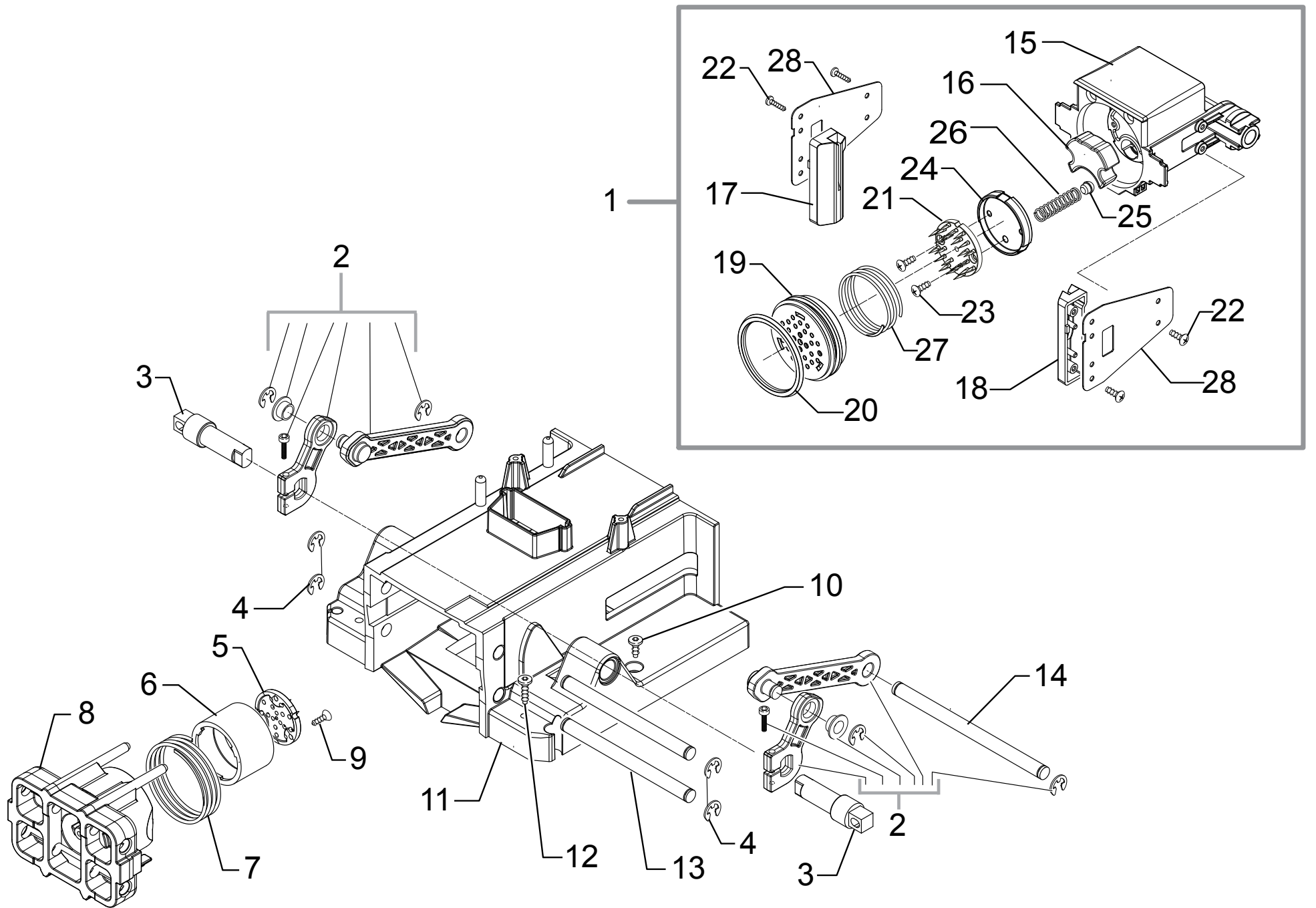


RI9575/05-08-11-13-15-16-17-18-19
RI9575/21-25-27-28-29-31-35-36-38-39-48
RI9575/71-81 RI9576/05-15-25-35-41-71



Cod.10003305-07-3420-22-3086-87-88-3109-3213
3089-3134-60-68-3214-15-41-42-3306-08-66-3421-23
3694-3708-3919-17-18-27-26-30-2953-54-55-56

POS	CODE	12NC	DESCRIPTION	NOTE	POS	CODE	12NC	DESCRIPTION	NOTE
01	140324461	996530013509	OR ORM 0060-20 TERMOIL		34	11008031	996530004688	STEEL BOILER SUPPORT P604	
02	141711350	996530013726	BLACK PC BUSH FOR STEAM TUBE P117		35	12000818	996530007905	THERMOSTAT 127° US-622PXR DNO	
03	11007926	996530004636	CHROM.STEAM TUBE P604 ASSY.		36	U310.001	996530062075	GALV.SELF LOCK. NUT M3 UNI 7473	
			UP TO S.N. 9010SC10107992		37	129570802	996530012908	SCREW TAPT M3X10 DIN 7985 GALV.	
	11013342	996530006747	CHROM.STEAM TUBE V3 P604 ASSY.		38	140321861	996530013467	O-RING 2025 EPDM	
			FROM S.N.9010SC10107993		39	11013594	996530006814	BLACK 90°SAFETY VALVE CONNECT.ULKA S3	
04	11008991	996530005152	BLACK STEAM TUBE HANDGRIP P604						
05	11007447	996530004321	BLACK CONNECTOR FOR BUSH+STEAM TUBE P604						
06	12000892	996530007947	OETIKER CLAMP D=9,5 16700004						
07	16000380	996530009505	5X8,9 SILICONE TUBE	IN ROLL					
08	U110.010	996530061921	SCREW AUT.TCB 2,9X6,5 DIN 7981 F						
09	140328059	996530013564	OR 2015 SILICONE PTFE/FDA						
10	126765317	996530011633	STEEL SPRING BOILER PISTON MAGIC						
11	11024769	996530069887	L-F/BRASS CAP FOR FAUCET NESPRESSO						
12	11024785	996530069889	L-F/BRASS PISTON L=15,1 ASSY.						
13	11024787	996530069888	L-F/BRASS STEAM FAUCET V2 P604						
14	12001223	996530008009	JIAYIN SOLENOID VALVE P604	230V					
15	JS01.022	996530057357	SILICONE TUBE 5X10 60SH	IN ROLL					
16	17001017	996530069886	GREY CLOSED DRIP TRAY CONNECTOR P604						
17	147920150	996530017348	90° INLET PUMP CONNECTOR						
18	17000449	996530068465	BLACK PUMP SUPPORT V2 P604						
19	12000167	996530007776	ULKA PUMP EP5/S GW	240V-50HZ					
	12001721	996530068829	ULKA PUMP EP5/S M GW	230V-50HZ					
20	149452450	996530018332	VALVE ULKA S3 AP FOR PUMP						
21	9011.144	996530048885	SS FORK FOR TUBE D=4						
22	11005973	996530003257	AUT/CAPS BOILER THERMOST.FIXING SPRING						
23	129660302	996530012971	PANELVIT TCB SCREW 3X10 DIN 7505 Z						
24	11007446	996530004319	BLACK FAUCET SUPPORT P604						
25	140640300	996530013622	FAUCET SHAFT SMART						
26	140328561	996530013573	O-RING 4,18X1,90 TERMOIL						
27	11007493	996530004363	T CONNECTOR FOR BOILER P604						
28	U302.003	996530062065	GALV.NUT HEXAGONAL M4 UNI 5588						
29	128310402	996530012341	GALV.WASHER UNI 8842 A4						
30	124390520	996530011326	BRASS BENT FASTON 45° 6,3X0,8						
31	20000921	996530009915	TEA/BR-SS BOILER AUT/CAPS P604 ASSY	230V					
32	11006956	996530003938	CABLE 1 WIRE SILIC.BLUE TH/FUSE 184°						
33	12000817	996530007904	THERMOSTAT 87° US-622PXR DNO						



Saeco SIN029
INTERNATIONAL GROUP

RI9575/05-08-11-13-15-16-17-18-19
RI9575/21-25-27-28-29-31-35-36-38-39-48
RI9575/71-81 RI9576/05-15-25-35-41-71



Cod.10003305-07-3420-22-3086-87-88-3109-3213
3089-3134-60-68-3214-15-41-42-3306-08-66-3421-23
3694-3708-3919-17-18-27-26-30-2953-54-55-56

POS	CODE	12NC	DESCRIPTION	NOTE	POS	CODE	12NC	DESCRIPTION	NOTE
01	-	-	ASSEMBLY NOT AVAILABLE - (ORDER SINGLE PARTS)						
02	20000940	996530009918	KIT SPARES BLACK CRANK MECH.MOVING P604						
03	11007486	996530004357	ZAMA PIN FOR HANDLE MECH.P604						
04	12000850	996530007927	LOCKING SHAFT RING D=6 UNI 7434						
05	11014278	996530007054	PEEK LB2-LB5UPPER DRILLING SUPPORT LB400						
06	11007467	996530004337	BLACK RING FOR MECH.FIX CHAMBER P604						
07	11007490	996530004362	SPRING FOR RING FIX CHAMBER MECH.P604						
08	11007466	996530004336	BLACK FIX CHAMBER FOR MECH.P604						
09	129912621	996530013149	SCREW PT KB 30X8 WN 1413 INOX A2						
10	129912104	996530013143	SCREW TCB TORX 20 4X10 PLAST.ZN-N						
11	11007427	996530004303	BLACK MECH.SUPPORT P604						
12	V411760	996530062566	SCREWS 3.9X16 TORX						
13	11007485	996530004356	STEEL PIN FOR FIX CHAMBER MECH.P604						
14	11007484	996530004355	STEEL PIN FOR MOVE CHAMBER MECH.P604						
15	11024783	996530073489	L-F/BRASS-BLK MOVE CHAMBER FOR MECH.P604						
16	11007942	996530004652	WHITE CAP FOR MECH.MOVE CHAMBER P604						
17	11007469	996530004339	BLACK MECH.CAPSULE LEFT SUPPORT P604						
18	11007480	996530004352	BLACK MECH.CAPSULE RIGHT SUPPORT P604						
19	11008232	996530073491	DRILLING CASE OVERMOULDED V2 P604						
20	11010119	996530073492	BLK LIP SEAL FOR CASE OVERMOULDED P604						
21	149198000	996530017948	COFFEE CAPS.LOWER DRILLING SUPPORT LAV.						
22	U110.010	996530061921	SCREW AUT.TCB 2,9X6,5 DIN 7981 F						
23	129910921	996530013128	SCREW TCB TORX 10 3X10 SS						
24	11007481	996530004353	BLACK ADAPTER FOR MOVE CHAMBER MECH.P604						
25	149450588	996530018311	65SH SILICONE BOILER SEALING VALVE						
26	11009642	996530073493	SPRING VALVE FOR MECH.MOVE CHAMBER P604						
27	126772418	996530011709	COFF.CAPSULE EXPELLER PISTON SPRING LAV.						
28	11007482	996530004354	STEEL FOR CAPSULE RETAINING MECH.P604						