

Saeco® SIN 029



Cod.10002953-54-55-56-3086-87-88-89-3109-34-60-10003161-68

Cod.10003213-14-15-41-42-3305-06-07-08-66-10003420-21-22-23

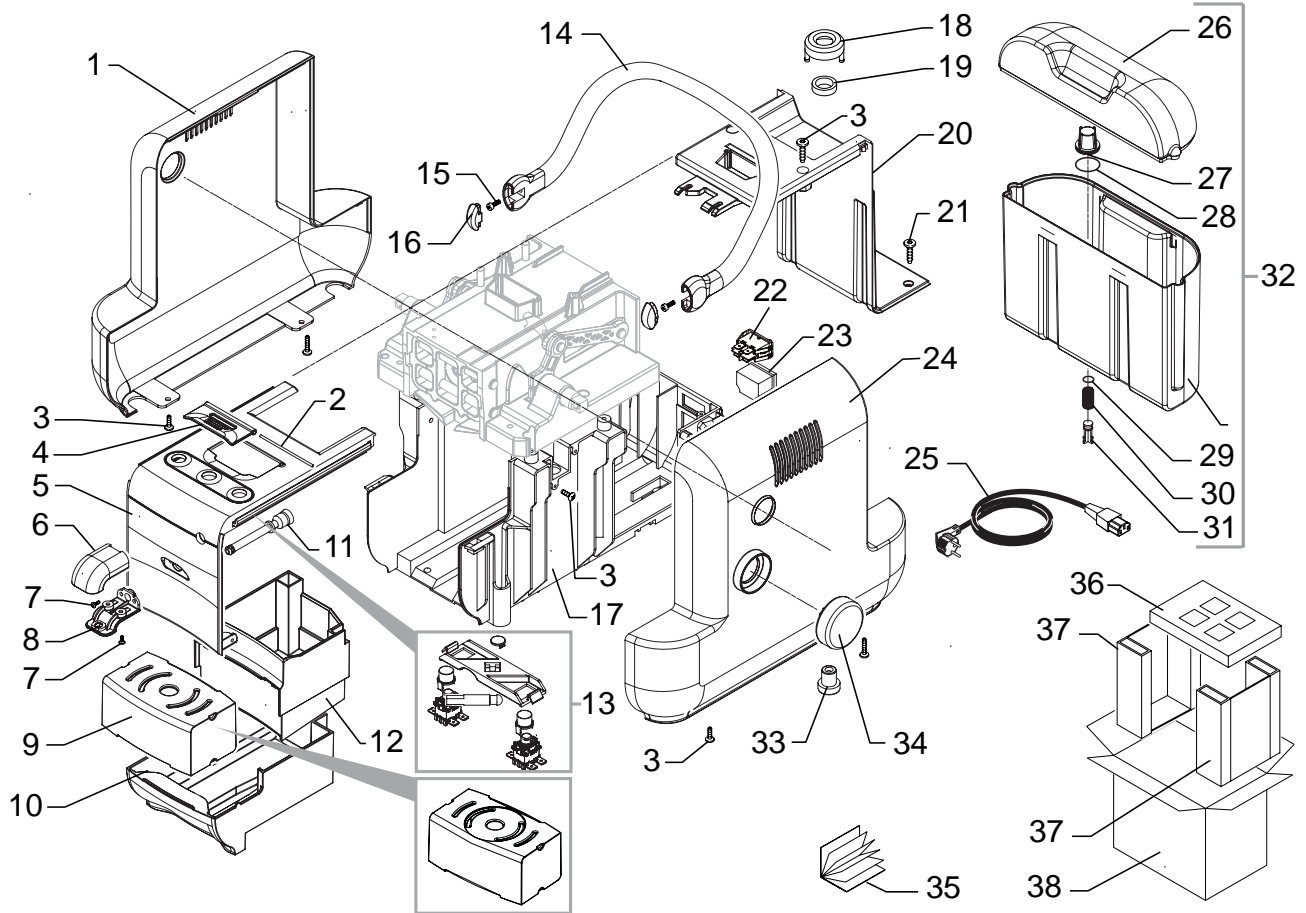
POS	CODICE	DESCRIZIONE	NOTE
01	11012671	CARC.LAT.SX P604 ARN.SER.SAECO EXTRA	
	11011305	CARC.LAT.SX P604 BIA.SER.SAECO EXTRA	
	11012673	CARC.LAT.SX P604 BLU SER.SAECO EXTRA	
	11012670	CARC.LAT.SX P604 VER.SER.SAECO EXTRA	
	11012672	CARC.LAT.SX P604 FUC.SER.SAECO EXTRA	
	11008346	CARC.LAT.SX P604 NER.SER.SAECO EXTRA	
	11021708	CARC.LAT.SX P604 ROS.SER.SAECO EXTRA	
02	11007438	PERNO SPORT.COPERT.SUP.CARC.P604 ACC.	
03	129912104	VITE TORX 4X10 FILET.9786 ZINC.NERO	
04	11007931	SPORTEL.COPERT.SUP.CARC.P604 VERN.ARG.	
05	11012720	COPERTURA SUP.CARC.P604/M ARG.SER.VER.	
	11012721	COPERTURA SUP.CARC.P604/M ARG.SER.ARN.	
	11012722	COPERTURA SUP.CARC.P604/M ARG.SER.FUC.	
	11012723	COPERTURA SUP.CARC.P604/M ARG.SER.BLU	
	11008047	COPERTURA SUP.CARC.P604/M ARG.SER.	
	11021754	COPERTURA SUP.CARC.P604/M ARG.SER.ROS.	
06	11007489	COPERTURA EROGAT.CAFF.P604 CROM.	
07	U110.010	VITE AUT.TCB 2,9X6,5 DIN 7981 F INOX	
08	11007461	SUPPORTO EROGATORE CAFFE' P604 NERO	
09	11007927	GRIGLIA VASCA REC.ACQUA P604 VERN.ARG. FINO A MATR. 9010SC10107992	
	11024891	GRIGLIA VASCA REC.ACQ.V2 P604 VERN.ARG. DA MATR. 9010SC10107993	
10	11007928	VASCA RECUPERO ACQUA P604 VERN.ARG. FINO A MATR. 9010SC10107992	
	11024888	VASCA REC.ACQ.V2 P604 VERN.ARG. DA MATR. 9010SC10107993	
11	11007463	CONVOGLIATORE USCITA CAFFE' P604 NERO	
12	11007929	CAS.RACC.CAPSULE USATE P604 VERN.ARG.	
13	20006975	KIT RIC.AS.SUPP.TAST.P604/M NER/ARG.230V	
14	11007454	IMPUGNAT.APRI/CHIUDI MECH.P604 ALLUM.	
15	UN5931-5X25Z	VITE M 5X25 ZINCATA	
16	11007488	TAPPO IMPUGN.APRI/CHIUDI MECH.P604 CROM.	
17	11007933	FONDO CARC+STRUT.CENTR.P604 VERN.ARG. FINO A MATR. 9010SC10107992	
	11024884	FONDO CARC+STRUT.CENT.V3 P604 VER.ARG. DA MATR. 9010SC10107993	
18	0701.031.150	COPERTURA GUARNIZIONE GRIGIO	
19	145842900	GUARNIZ.GACO DIM 14 X VALV.CONTEN.ACQUA	
20	11007932	COPERTURA POSTCARC.P604 VERN.ARG. FINO A MATR. 9010SC10107992	

POS	CODE	DESCRIPTION	NOTE
01	11012671	ORANGE LEFT SIDE CASING S/SCR.EXTRA P604	
	11011305	WHITE LEFT SIDE CASING P604 S/SCR.EXTRA	
	11012673	BLUE LEFT SIDE CASING P604 S/SCR.EXTRA	
	11012670	GREEN LEFT SIDE CASING P604 S/SCR.EXTRA	
	11012672	FUCHSIA LEFT SIDE CASING P604 S/SCR.EXTRA	
	11008346	BLACK LEFT SIDE CASING S/SCR.EXTRA P604	
	11021708	CARC.LAT.SX P604 ROS.SER.SAECO EXTRA	
02	11007438	STEEL PIN UPPER COVER CASING DOOR P604	
03	129912104	SCREW TORX 4X10 UNI 9786 GALVANIZED	
04	11007931	SILVER UPPER COVER CASING DOOR P604	
05	11012720	SILV.UPPER COVER CASING P604/M S/SCR.GRN	
	11012721	SILV.UPPER COVER CASING P604/M S/SCR.ORG	
	11012722	SILV.UPPER COVER CASING P604/M S/SCR.FUC	
	11012723	SILV.UPPER COVER CASING P604/M S/SCR.BLU	
	11008047	SILVER UPPER COVER CASING P604/M S/SCR.	
	11021754	SILV.UPPER COVER CASING P604/M S/SCR.RED	
06	11007489	CHROMED COFFEE DISPENSER COVER P604	
07	U110.010	SCREW AUT.TCB 2,9X6,5 DIN 7981 F	
08	11007461	BLACK COFFEE DISPENSER SUPPORT P604	
09	11007927	SILVER GRATE FOR DRIP TRAY P604 UP TO S.N. 9010SC10107992	
	11024891	SILVER GRATE V2 FOR DRIP TRAY P604 FROM S.N.9010SC10107993	
10	11007928	SILVER DRIP TRAY P604 UP TO S.N. 9010SC10107992	
	11024888	SILVER DRIP TRAY V2 P604 FROM S.N.9010SC10107993	
11	11007463	BLACK COFFEE OUTLET CONVEYOR P604	
12	11007929	SILVER DUMP BOX P604	
13	20006975	KIT SPARES 230V BLK/SIL.BUTT.SUPP.P604/M	
14	11007454	ALLUM.HANDLE FOR MECH.P604	
15	UN5931-5X25Z	SCREWS M 5X25 GALVANISED	
16	11007488	CHROMED CAP FOR HANDLE MECH.P604	
17	11007933	SILVER CASING BOTTOM P604 UP TO S.N. 9010SC10107992	
	11024884	SILVER CASING BOTTOM V3 P604 FROM S.N.9010SC10107993	
18	0701.031.150	SEAL COVER GREY	
19	145842900	WATER CONTAIN.VALVE SEAL GACO DIM14	
20	11007932	SILVER BACK CASING COVER P604 UP TO S.N. 9010SC10107992	

Saeco®

SAECO LV AMM EXTRA V2

TAVOLA 1A/3



Saeco® SIN 029



Cod.10002953-54-55-56-3086-87-88-89-3109-34-60-10003161-68

Cod.10003213-14-15-41-42-3305-06-07-08-66-10003420-21-22-23

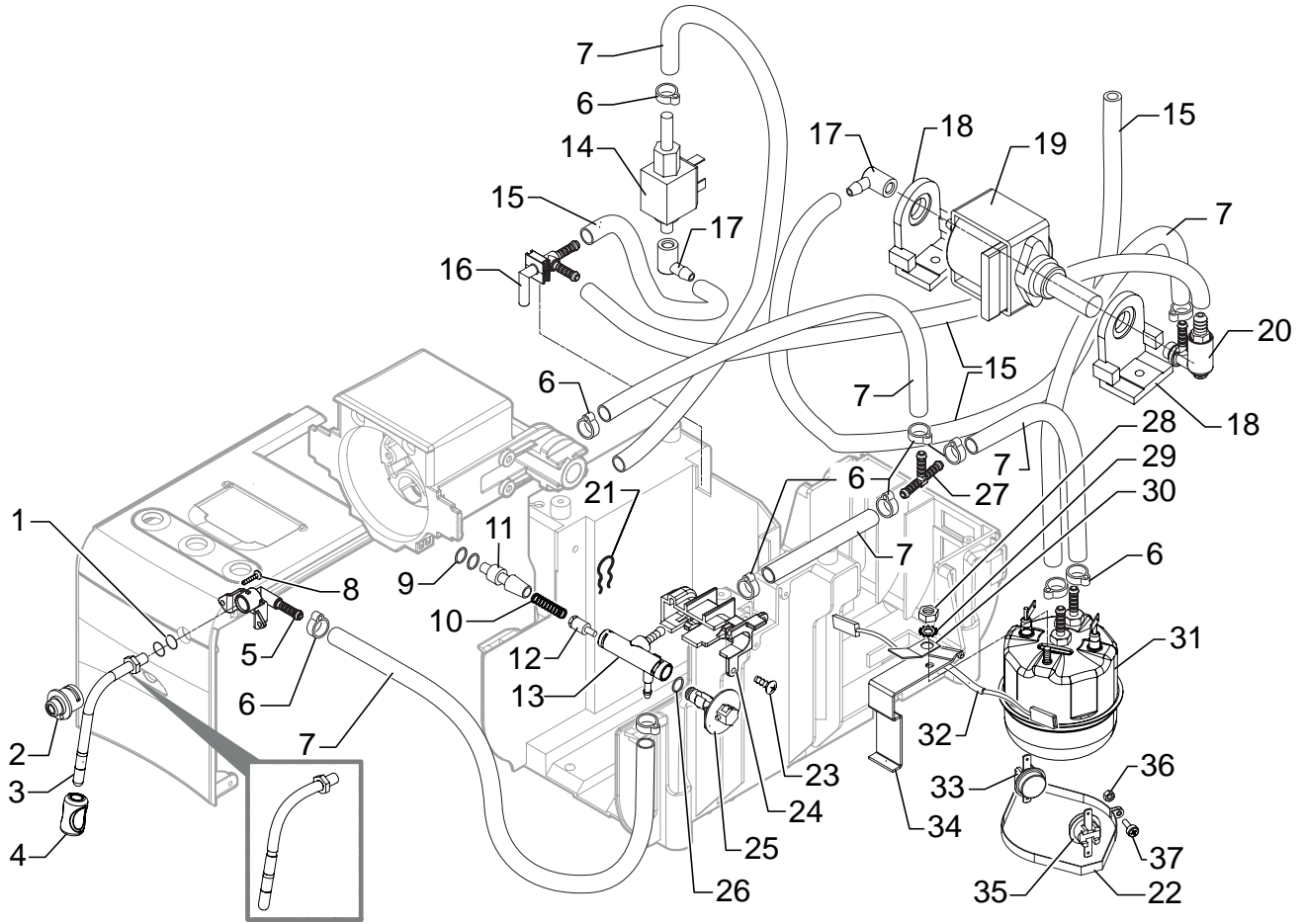
POS	CODICE	DESCRIZIONE	NOTE
20	11024908	COPERT.POST.CARC.V2 P604 VERN.ARG. DA MATR. 9010SC10107993	
21	129912521	VITE TORX 3,5X14 FILET.9786 INOX	
22	NE03.038	INTERRUTTORE BIPOLARE FUSIT C1250AR	
23	12000280	PRESA A VASCHETTA C/SMUSSI EN 60320 C 13	
24	11012661	CARC.LAT.DX P604 ARN.	
	11011300	CARC.LAT.DX P604 BIA.	
	11012665	CARC.LAT.DX P604 BLU	
	11012606	CARC.LAT.DX P604 VER.	
	11012662	CARC.LAT.DX P604 FUC.	
	11007431	CARC.LAT.DX P604 NER.	
	11007499	CARC.LAT.DX P604 ROS.	
25	183911050	CAVO AL.SCHUKO 3X1 H05VV-F NERO L=1200MM	
	183970350	CAVO ALIM.UK H05VV-F 3X1 NERO L=1200MM	
	183940650	CAVO AL.AUSTRAL.3X1 H05VV-F NERO L=1200MM	
	11021907	CAVO AL.SUDAFR.3X1 H05VV-F NERO L=1200MM	
26	11007426	COPERCHIO CONTEN.ACQUA P604 TRASP/NAT.	
27	224640200	AS.FILTRO ESTERNO X CONTENITORI ACQUA	CON PART. N°28
28	140328461	OR METRICO 0190-10 IN EPDM	
29	140324362	OR METRICO 0060-30 IN SILICONE	
30	126764718	MOLLA CILINDRICA X VALVOLA CONTEN.ACQUA	
31	147660562	PISTONCINO X VALVOLA CONTEN.ACQUA GRIGIO	
32	11007922	AS.CONTENIT.ACQUA P604 TRASP/NAT.SER.MAX	
33	147622800	PIEDINO X PIANETA CAFFE' TRASPARENTE	
34	11008006	POMELLO ACQUA-VAPORE P604 ARG.SER.	
35	15001916	LIBRET.ISTRUZ.SAE LV AMM V2 11L. FINO A MATR. 9010SC10107992	
	15002628	LIBRET.ISTRUZ.SAE LV AMM V3 11L. DA MATR. 9010SC10107993	
	15001917	LIBRET.ISTRUZ.SAE LV AMM V2 EO FINO A MATR. 9010SC10107992	
	15002629	LIBRET.ISTRUZ.SAE LV AMM V3 EO DA MATR. 9010SC10107993	
36	13001094	INSERTO SUP.SCATOLA V2 P604 IN CARTONE FINO A MATR. 9010SC10107992	
	13001298	INSERTO SUP.SCATOLA V3 P604 IN CARTONE DA MATR. 9010SC10107993	
37	13000529	INSERTO LAT.SCATOLA P604 IN CARTONE	
38	13001294	SCATOLA LITOG.SAE LV AMM EXTRA V3 11L.	
	13001295	SCATOLA LITOG.SAE LV AMM EXTRA V3 EO	

POS	CODE	DESCRIPTION	NOTE
20	11024908	SILVER REAR CASING COVER V2 P604 FROM S.N.9010SC10107993	
21	129912521	SCREW TORX 3,5X14 UNI 9786 S.STEEL	
22	NE03.038	BIPOLAR SWITCH FUSIT C1250AR	
23	12000280	CUP SOCKET EN 60320 C 13	
24	11012661	ORANGE RIGHT SIDE CASING P604	
	11011300	WHITE RIGHT SIDE CASING P604	
	11012665	BLUE RIGHT SIDE CASING P604	
	11012606	GREEN RIGHT SIDE CASING P604	
	11012662	FUCHSIA RIGHT SIDE CASING P604	
	11007431	BLACK RIGHT SIDE CASING P604	
	11007499	RED RIGHT SIDE CASING P604	
25	183911050	POWER CABLE SCHUKO BLACK L=1200MM	
	183970350	BLACK POWER CAB. UK 3X1 H05VV-F L=1200MM	
	183940650	BLACK POWER CABLE AUSTRALIA L=1200MM	
	11021907	BLACK POWER CABLE SOUTHAFRICA L=1200MM	
26	11007426	NATURAL/GREY WATER CONTAINER LID P604	
27	224640200	EXTERNAL FILTER FOR WATER CONTAINER ASS.	WITH PART. N°28
28	140328461	EPDM OR METRIC 0190-10	
29	140324362	OR METRIC 0060-30 IN SILICONE	
30	126764718	SPRING FOR WATER CONTAINER VALVE	
31	147660562	GREY WATER VALVE CONTAINER PISTON	
32	11007922	NATURAL/TRASP.WATER CONTAINER P604 ASS.	
33	147622800	TRANSPARENT FOOT	
34	11008006	SILVER WATER-STEAM KNOB P604 SILK/SCREEN	
35	15001916	INSTRUCT.MANUAL 11L.SAE LV AMM V2 UP TO S.N. 9010SC10107992	
	15002628	INSTRUCT.MANUAL 11L.SAE LV AMM V3 FROM S.N.9010SC10107993	
	15001917	INSTRUCT.MANUAL EO SAE LV AMM V2 UP TO S.N. 9010SC10107992	
	15002629	INSTRUCT.MANUAL EO SAE LV AMM V3 FROM S.N.9010SC10107993	
36	13001094	CARDBOARD UPPER INSERT BOX V2 P604 UP TO S.N. 9010SC10107992	
	13001298	CARDBOARD UPPER INSERT BOX V3 P604 FROM S.N.9010SC10107993	
37	13000529	CARDBOARD LATERAL INSERT BOX P604	
38	13000945	DISPLAY BOX 11L.SAE LV AMM EXTRA V2	
	13000946	DISPLAY BOX EO SAE LV AMM EXTRA V2	

Saeco®

SAECO LV AMM EXTRA V2

TAVOLA 1B/3



Saeco® SIN 029



Cod.10002953-54-55-56-3086-87-88-89-3109-34-60-10003161-68

Cod.10003213-14-15-41-42-3305-06-07-08-66-10003420-21-22-23

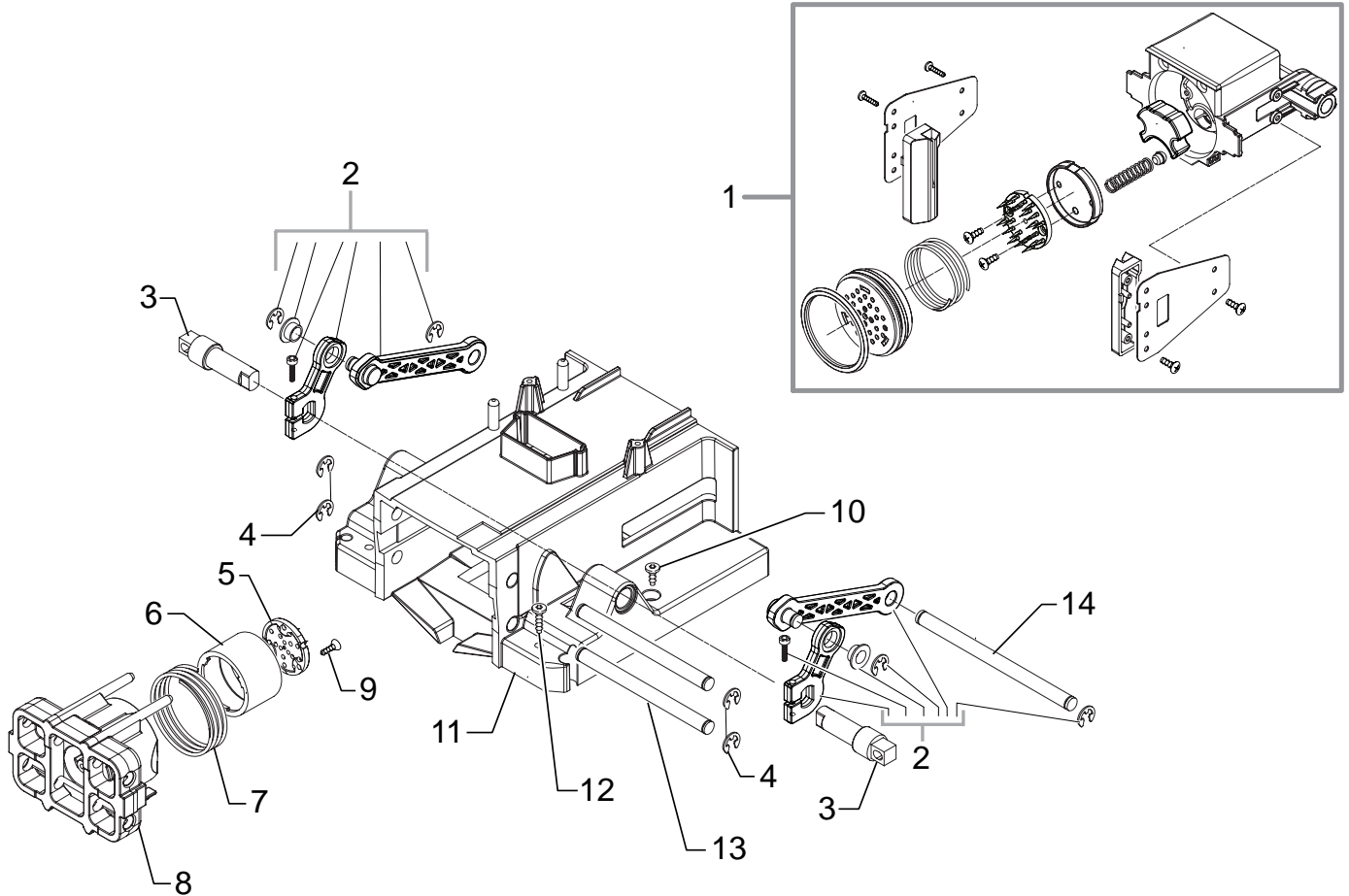
POS	CODICE	DESCRIZIONE	NOTE
01	140324461	OR METRICO 0060-20 IN TERMOIL	
02	141711350	BOCCOLA TUBO VAPORE P117 NERA	
03	11007926	AS.TUBO VAPORE + DADO P604 OT/CROMATO	
	11013342	FINO A MATR. 9010SC10107992 AS.TUBO VAPORE V3 P604 OT/CROMATO DA MATR. 9010SC10107993	
04	11008991	IMPUGNATURA TUBO VAPORE P604 NERO	
05	11007447	RACCORDO BOCCOLA E TUBO VAPP604 NERO	
06	12000892	FASCETTA OETIKER D=9,5 16700004	
07	16000380	TUBO SIL.RETINATO 5X8,9 REHAU MATASSA	
08	U110.010	VITE AUT.TCB 2,9X6,5 DIN 7981 F INOX	
09	140328059	OR 2015 IN SILICONE PTFE/FDA	
10	126765317	MOLLA AC.X PIST.CALD.MAGIC 9011.007	
11	11009007	TAPPO X RUBINETTO NESPRESSO OTT/TEA	
12	11009018	AS.PISTONCINO C/GOLA L=15,1 OTT/TEA	
13	11011889	RUBINETTO VAPORE V2 P604 OTTONE	
14	12001223	ELETTROVALVOLA JIAYIN P604	
15	JS01.022	TUBO SILICONE 5X10 60 SHORE IN MATASSA	230V
16	11007452	RACCORDO VASCA RECUP.ACQUA P604 NERO	
17	147920150	RACC.INGRESSO A 90° POMPA	
18	17000449	SUPPORTO POMPA V2 P604 NERO	
19	12000140	POMPA ULKA EP5/S GW	230V-50HZ
	12000167	POMPA ULKA EP5/S GW	240V-50HZ
20	11004689	AS.VALVOLA DI SICUREZZA 16-18 BAR P0049	
21	9011.144	FORCELLA X TUBO D.4	
22	11005973	MOLLA FERMA THERMOST.CALD.INOX AUTCAPS	
23	129660302	VITE PANELVIT TCB 3X10 DIN 7505 ZNP	
24	11007446	SUPPORTO RUBINETTO P604 NERO	
25	140640300	ASTA RUBINETTO X SMART	
26	140328561	OR D=4,18 X 1,90 IN TERMOIL	
27	11007493	RACCORDO A T USCITA CALD.P604 NEUTRO	
28	U302.003	DADO ESAGONALE M4 UNI 5588 ZN	
29	128310402	ROSETTA UNI 8842 A4 ZINCATA	
30	124390520	FASTON PIEGATO 45° 6,3X0,8 OTTONE	
31	20000921	AS.CALDAIA INOX AUT-CAPS P604 C/RAC.	230V
32	11006956	CAV.1FILO SILIC.BLUE C/TERMOFUS.184°	
33	12000817	TERMOSTATO 87° US-622PXRDN0	
34	11008031	SUPPORTO CALDAIA P604 ACC.	
35	12000818	TERMOSTATO 127° US-622PXRDN0	
36	U310.001	DADO AUTOBLOC.M3 UNI 7473 ZNP	
37	129570802	VITE TAPT.M3X10 DIN 7985 ZINC.	

POS	CODE	DESCRIPTION	NOTE
01	140324461	OR METRIC 0060-20 IN TERMOIL	
02	141711350	BLACK BUSH FOR STEAM TUBE P117	
03	11007926	CHROMED STEAM TUBE+NUT P604 ASSY.	
	11013342	UP TO S.N. 9010SC10107992 CHROMED STEAM TUBE V3 P604 ASSY. FROM S.N.9010SC10107993	
04	11008991	BLACK STEAM TUBE HANDGRIP P604	
05	11007447	BLACK CONNECT. FOR BUSH+STEAM TUBE P604	
06	12000892	OETIKER CLAMP D=9,5 16700004	
07	16000380	5X8,9 SILICONE TUBE IN ROLL	
08	U110.010	SCREW AUT.TCB 2,9X6,5 DIN 7981 F	
09	140328059	OR 2015 IN SILICONE PTFE/FDA	
10	126765317	STEEL SPRING BOILER PISTON MAGIC	
11	11009007	TEA/BRASS CAP FOR FAUCET NESPRESSO	
12	11009018	TEA/BRASS PISTON L=15,1 ASSY.	
13	11011889	BRASS STEAM FAUCET V2 P604	
14	12001223	SOLENOID VALVE JIAYIN P604	230V
15	JS01.022	SILICONE TUBE 5X10 60 SHORE IN ROLL	
16	11007452	BLACK DRIP TRAY CONNECTOR P604	
17	147920150	90° INLET PUMP CONNECTOR	
18	17000449	BLACK PUMP SUPPORT V2 P604	
19	12000140	ULKA PUMP EP5/S GW	230V-50HZ
	12000167	ULKA PUMP EP5/S GW	240V-50HZ
20	11004689	SAFETY VALVE 16-18 BAR P0049 ASSY.	
21	9011.144	FORK FOR TUBE D.4	
22	11005973	THERMOST.FIXER SPRING BOILER AUTCAPS	
23	129660302	PANELVIT TCB SCREW 3X10 DIN 7505 Z	
24	11007446	BLACK FAUCET SUPPORT P604	
25	140640300	FAUCET SHAFT FOR SMART	
26	140328561	OR D=4,18 X 1,90 IN TERMOIL	
27	11007493	T CONNECTOR FOR BOILER P604	
28	U302.003	NUT HEXAGONAL M4 UNI 5588	
29	128310402	GALV.WASHER UNI 8842 A4	
30	124390520	BENT FASTON 45° 6,3X0,8 BRASS	
31	20000921	SS BOILER AUT-CAPS P604 W/CONN.ASSY	230V
32	11006956	CABLE 1WIRE SILICONE BLUE TH/FUSE 184°	
33	12000817	THERMOSTAT 87° US-622PXRDN0	
34	11008031	STEEL BOILER SUPPORT P604	
35	12000818	THERMOSTAT 127° US-622PXRDN0	
36	U310.001	NUT SELF LOCK.M3 UNI 7473	
37	129570802	SCREW TAPT M3X10 DIN 7985 GALV	

Saeco®

SAECO LV AMM EXTRA V2

TAVOLA 2/3



Saeco® SIN 029



Cod.10002953-54-55-56-3086-87-88-89-3109-34-60-10003161-68

Cod.10003213-14-15-41-42-3305-06-07-08-66-10003420-21-22-23

POS	CODICE	DESCRIZIONE	NOTE
01	11007914	AS.CAMERA MOBILE MECH.P604 NERO	
02	20000940	KIT RIC.MANOVEL.MOVIMENTO MECH.P604 NER.	
03	11007486	PERNO IMPUGN.APRI/CHIUDI MECH.P604 ZAMA	
04	12000850	ANELLO EL.BLOCC.ALBERI D=6 UNI 7434	
05	11014278	SUPPORTO FORATORE PEEK LB2-LB5 LB4000	
06	11007467	ANELLO CAMERA FISSA MECH.P604 NERO	
07	11007490	MOLLA ANELLO CAMERA FISSA MECH.P604 ACC.	
08	11007466	CAMERA FISSA MECH.P604 NERO	
09	129912621	VITE PT KB 30X8 WN 1413 INOX A2	
10	129912104	VITE TORX 4X10 FILET.9786 ZINC.NERO	
11	11007427	SUPPORTO MECH.P604 NERO	
12	V411760	VITE 3.9X16 TORX	
13	11007485	PERNO CAMERA FISSA MECH.P604 ACC.	
14	11007484	PERNO CAMERA MOBILE MECH.P604 ACC.	

POS	CODE	DESCRIPTION	NOTE
01	11007914	BLACK MOVE CHAMBER FOR MECH.P604 ASSY.	
02	20000940	KIT SPARES BLACK CRANK MECH.MOVING P604	
03	11007486	ZAMA PIN FOR HANDLE MECH.P604	
04	12000850	LOCKING SHAFT RING D=6 UNI 7434	
05	11014278	SUPPORTO FORATORE PEEK LB2-LB5 LB4000	
06	11007467	BLACK RING FOR FIX CHAMBER MECH.P604	
07	11007490	SPRING FOR RING FIX CHAMBER MECH.P604	
08	11007466	BLACK FIX CHAMBER FOR MECH.P604	
09	129912621	SCREW PT KB 30X8 WN 1413 INOX A2	
10	129912104	SCREW TORX 4X10 UNI 9786 GALVANIZED	
11	11007427	BLACK MECH.SUPPORT P604	
12	V411760	SCREWS 3.9X16 TORX	
13	11007485	STEEL PIN FOR FIX CHAMBER MECH.P604	
14	11007484	STEEL PIN FOR MOVE CHAMBER MECH.P604	