

Saeco® SIN 029 H



Cod.10003162-63-64-69-3216-10003672

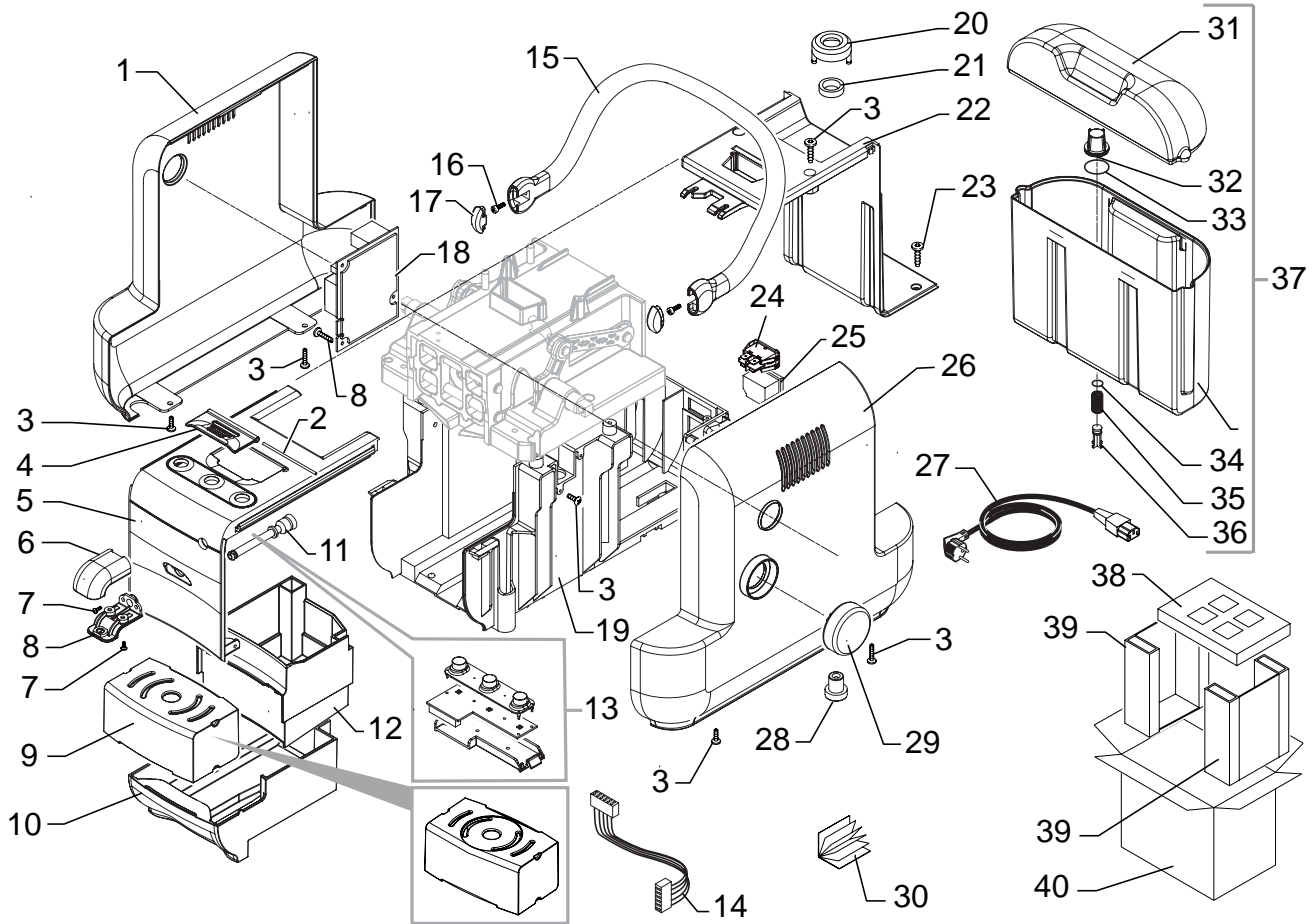
POS	CODICE	DESCRIZIONE	NOTE
01	11022054	CARC.LAT.SX P604 SPC.SER.SAECO PREMIUM	
	11025020	CARC.LAT.SX P604 BIA/P SER.SAECO PREMIUM	
02	11007438	PERNO SPORT.COPERT.SUP.CARC.P604 ACC.	
03	129912104	VITE TORX 4X10 FILET.9786 ZINC.NERO	
04	11022056	SPORT.COPERT.SUP.CARC.P604 VERN.URB.	
	11024952	FINO A MATR. 9010SC10113974	
		SPORT.COPERT.SUP.CARC.P604 VERN.GRI.	
		DA MATR.9010SC10113975	
05	11022049	COPERTURA SUP.CARC.P604/E URB.SER.ARG.	
	11024951	FINO A MATR. 9010SC10113974	
		COPERT.SUP.CARC.P604/E GRI.SER.ARG.	
		DA MATR.9010SC10113975	
06	11007489	COPERTURA EROGAT.CAFF.P604 CROM.	
07	U110.010	VITE AUT.TCB 2,9X6,5 DIN 7981 F INOX	
08	11007461	SUPPORTO EROGATORE CAFFE' P604 NERO	
09	11022042	GRIGLIA VASCA REC.ACQUA P604 VERN.URB.	
	11024895	FINO A MATR. 9010SC10113974	
		GRIGLIA VASCA REC.ACQ.V2 P604 VERN.GRI.	
		DA MATR.9010SC10113975	
10	11022044	VASCA RECUPERO ACQUA P604 VERN.URB.	
	11024887	FINO A MATR. 9010SC10113974	
		VASCA RECUPERO ACQUA V2 P604 VERN.GRI.	
		DA MATR.9010SC10113975	
11	11007463	CONVOGLIATORE USCITA CAFFE' P604 NERO	
12	11022046	CAS.RACC.CAPSULE USATE P604 VERN.URB.	
	11024949	FINO A MATR. 9010SC10113974	
		CAS.RACC.CAPSULE USATE P604 VERN.GRI.	
		DA MATR.9010SC10113975	
13	11007915	AS.SCHEDA KBD P604/E ARG.SER.	
	11024966	FINO A MATR. 9010SC10113974	
		AS.SCHEDA KBD P604/E GRI.SER.	
		DA MATR.9010SC10113975	
14	11007193	AS.CONNET.9POLI COLLEGAM.SCHEDE P604/E	
15	11007454	IMPUGNAT.APRI/CHIUDI MECH.P604 ALLUM.	
16	UN5931-5X25Z	VITE M 5X25 ZINCATA	
17	11007488	TAPPO IMPUGN.APRI/CHIUDI MECH.P604 CROM.	
18	20006704	KIT RIC.AS.CPU+SW P604/E	
	11005831	FINO A MATR. 9009SC10084225	
		AS.CPU+SW P234-P604/E 230V	
		DA MATR. 9009SC10084226	
19	11022063	FONDO CARC+STRUT.CENTR.P604 VERN.URB.	
	11024911	FINO A MATR. 9010SC10113974	
		FONDO CARC+STRUT.CENT.V3 P604 VER.GRI.	
		DA MATR.9010SC10113975	

POS	CODE	DESCRIPTION	NOTE
01	11022054	SPECC.LEFT SIDE CASING S/SC.PREMIUM P604	
	11025020	PEARL/WHT LEFT SIDE CAS.S/S.PREMIUM P604	
02	11007438	STEEL PIN UPPER COVER CASING DOOR P604	
03	129912104	SCREW TORX 4X10 UNI 9786 GALVANIZED	
04	11022056	URBAN UPPER COVER CASING DOOR P604	
	11024952	UP TO S.N. 9010SC10113974	
		GREY UPPER COVER CASING DOOR P604	
		FROM S.N. 9010SC10113975	
05	11022049	URB.UPPER COVER CASING S/SCR.SILV.P604/E	
	11024951	UP TO S.N. 9010SC10113974	
		GREY UPPER COVER CASING S/SC.SILV.P604/E	
		FROM S.N. 9010SC10113975	
06	11007489	CHROMED COFFEE DISPENSER COVER P604	
07	U110.010	SCREW AUT.TCB 2,9X6,5 DIN 7981 F	
08	11007461	BLACK COFFEE DISPENSER SUPPORT P604	
09	11022042	URBAN GRATE FOR DRIP TRAY P604	
	11024895	UP TO S.N. 9010SC10113974	
		GREY GRATE V2 FOR DRIP TRAY P604	
		FROM S.N. 9010SC10113975	
10	11022044	URBAN DRIP TRAY P604	
	11024887	UP TO S.N. 9010SC10113974	
		GREY DRIP TRAY V2 P604	
		FROM S.N. 9010SC10113975	
11	11007463	BLACK COFFEE OUTLET CONVEYOR P604	
12	11022046	URBAN DUMP BOX P604	
	11024949	UP TO S.N. 9010SC10113974	
		GREY DUMP BOX P604	
		FROM S.N. 9010SC10113975	
13	11007915	KBD BOARD P604/E ASSY.	
	11024966	UP TO S.N. 9010SC10113974	
		GREY KBD BOARD S/SCR.P604/E ASSY.	
		FROM S.N. 9010SC10113975	
14	11007193	9POLES CONNECTOR BOARD LINK P604/E	
15	11007454	ALLUM.HANDLE FOR MECH.P604	
16	UN5931-5X25Z	SCREWS M 5X25 GALVANIZED	
17	11007488	CHROMED CAP FOR HANDLE MECH.P604	
18	20006704	KIT SPARES CPU+SW P604/E ASSY.	
	11005831	UP TO S.N. 9009SC10084225	
		AS.CPU+SW P234-P604/E 230V	
		FROM S.N. 9009SC10084226	
19	11022063	URBAN CASING BOTTOM P604	
	11024911	UP TO S.N. 9010SC10113974	
		GREY CASING BOTTOM V3 P604	
		FROM S.N. 9010SC10113975	

Saeco®

SAECO LV AMM PREMIUM V2

TAVOLA 1a/3



Saeco® SIN 029 H



Cod.10003162-63-64-69-3216-10003672

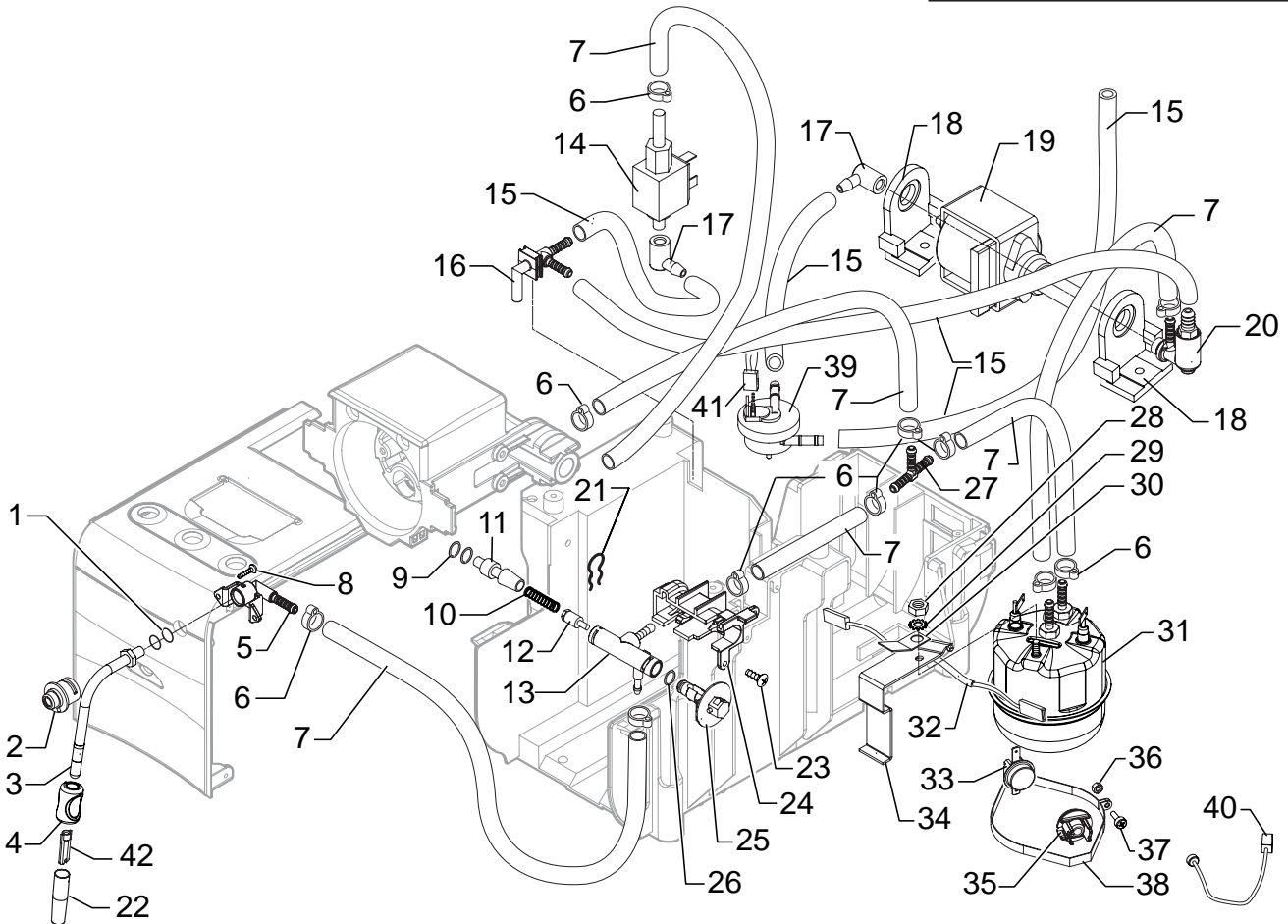
POS	CODICE	DESCRIZIONE	NOTE
20	0701.031.150	COPERTURA GUARNIZIONE GRIGIO	
21	145842900	GUARNIZ. GACO DIM 14 X VALV. CONTEN. ACQUA	
22	11022058	COPERTURA POST. CARC. P604 VERN. URB.	
	11024907	FINO A MATR. 9010SC10113974 COPERT. POST. CARC. V2 P604 VERN. GRI.	
23	129912521	VITE TORX 3,5X14 FILET. 9786 INOX	
24	NE03.038	INTERRUTTORE BIPOLARE FUSIT C1250AR	
25	12000280	PRESA A VASCHETTA C/SMUSSI EN 60320 C 13	
26	11022051	CARC. LAT. DX P604 VERN. SPC	
	11025021	CARC. LAT. DX P604 VERN. BIA/P	
27	183911050	CAVO AL. SCHUKO 3X1 H05VV-F NERO L=1200MM	
	183970350	CAVO AL. UK H05VV-F 3X1 NERO L=1200MM	
	183940650	CAVO AL. AUSTRAL. 3X1 H05VV-F NERO L=1200MM	
	11021907	CAVO AL. SUDAFR. 3X1 H05VV-F NERO L=1200MM	
28	147622800	PIEDINO X PIANETA CAFFE' TRASPARENTE	
29	11022060	POMEL. ACQUA-VAPORE P604 SPC. SER.	
	11024955	FINO A MATR. 9010SC10113974 POM. ACQUA-VAPORE P604 GRI. SER.	
	15001916	DA MATR. 9010SC10113975 LIBRET. ISTRUZ. SAE LV AMM V2 11L.	
	15002628	FINO A MATR. 9010SC10113974 LIBRET. ISTRUZ. SAE LV AMM V3 11L.	
	15001917	DA MATR. 9010SC10113975 LIBRET. ISTRUZ. SAE LV AMM V2 EO	
	15002629	FINO A MATR. 9010SC10113974 LIBRET. ISTRUZ. SAE LV AMM V3 EO	
	15002629	DA MATR. 9010SC10113975	
31	11007426	COPERCHIO CONTEN. ACQUA P604 TRASP/NAT.	
32	224640200	AS. FILTRO ESTERNO X CONTENITORI ACQUA	CON PART. N°33
33	140328461	OR METRICO 0190-10 IN EPDM	
34	140324362	OR METRICO 0060-30 IN SILICONE	
35	126764718	MOLLA CILINDRICA X VALVOLA CONTEN. ACQUA	
36	147660562	PISTONCINO X VALVOLA CONTEN. ACQUA GRIGIO	
37	11007922	AS. CONTENIT. ACQUA P604 TRASP/NAT. SER. MAX	
38	13001094	INSERTO SUP. SCATOLA V2 P604 IN CARTONE	
	13001298	FINO A MATR. 9010SC10113974 INS. SUP. SCATOLA V3 P604 IN CARTONE	
	13000529	DA MATR. 9010SC10113975 INSERTO LAT. SCATOLA P604 IN CARTONE	
39	13000529	SCATOLA LITOG. SAE LV AMM PREMIUM V3 11L.	
40	13001296	SCATOLA LITOG. SAE LV AMM PREMIUM V3 EO	
	13001297		

POS	CODE	DESCRIPTION	NOTE
20	0701.031.150	SEAL COVER GREY	
21	145842900	WATER CONTAIN. VALVE SEAL GACO DIM14	
22	11022058	URBAN REAR CASING COVER P604	
	11024907	UP TO S.N. 9010SC10113974 GREY REAR CASING COVER V2 P604	
	11024907	FROM S.N. 9010SC10113975	
23	129912521	SCREW TORX 3,5X14 UNI 9786 S. STEEL	
24	NE03.038	BIPOLAR SWITCH FUSIT C1250AR	
25	12000280	CUP SOCKET EN 60320 C 13	
26	11022051	SPECCHIATO RIGHT SIDE CASING P604	
	11025021	PEARL/WHITE RIGHT SIDE CASING P604	
27	183911050	POWER CABLE SCHUKO BLACK L=1200	
	183970350	BLACK POWER CAB. UK 3X1 H05VV-F L=1200MM	
	183940650	BLACK POWER CABLE AUSTRALIA L=1200MM	
	11021907	BLACK POWER CABLE SOUTHAFRICA L=1200MM	
28	147622800	TRANSPARENT FOOT	
29	11022060	SPECCHIATO WATER-STEAM KNOB S/SCR. P604	
	11024955	UP TO S.N. 9010SC10113974 GREY WATER-STEAM KNOB SILK/SCREEN P604	
	15001916	FROM S.N. 9010SC10113975 INSTRUCT. MANUAL 11L. SAE LV AMM V2	
	15002628	UP TO S.N. 9010SC10113974 INSTRUCT. MANUAL 11L. SAE LV AMM V3	
	15001917	FROM S.N. 9010SC10113975 LIBRET. ISTRUZ. SAE LV AMM V2 EO	
	15002629	UP TO S.N. 9010SC10113974 INSTRUCT. MANUAL EO SAE LV AMM V3	
	15002629	FROM S.N. 9010SC10113975	
31	11007426	NATURAL/GREY WATER CONTAINER LID P604	
32	224640200	EXTERNAL FILTER FOR WATER CONTAINER ASS.	WITH PART. N°33
33	140328461	EPDM OR METRIC 0190-10	
34	140324362	OR METRIC 0060-30 IN SILICONE	
35	126764718	SPRING FOR WATER CONTAINER VALVE	
36	147660562	GREY WATER VALVE CONTAINER PISTON	
37	11007922	NATURAL/TRANSP. WATER CONTAINER P604 AS.	
38	13001094	CARDBOARD UPPER INSERT BOX V2 P604	
	13001298	UP TO S.N. 9010SC10113974 CARDBOARD UPPER INSERT BOX V3 P604	
	13000529	FROM S.N. 9010SC10113975 CARDBOARD LATERAL INSERT BOX P604	
39	13000529	DISPLAY BOX 11L. SAE LV AMM PREMIUM V3	
40	13001296	DISPLAY BOX EO SAE LV AMM PREMIUM V3	
	13001297		

Saeco®

SAECO LV AMM PREMIUM V2

TAVOLA 1b/3

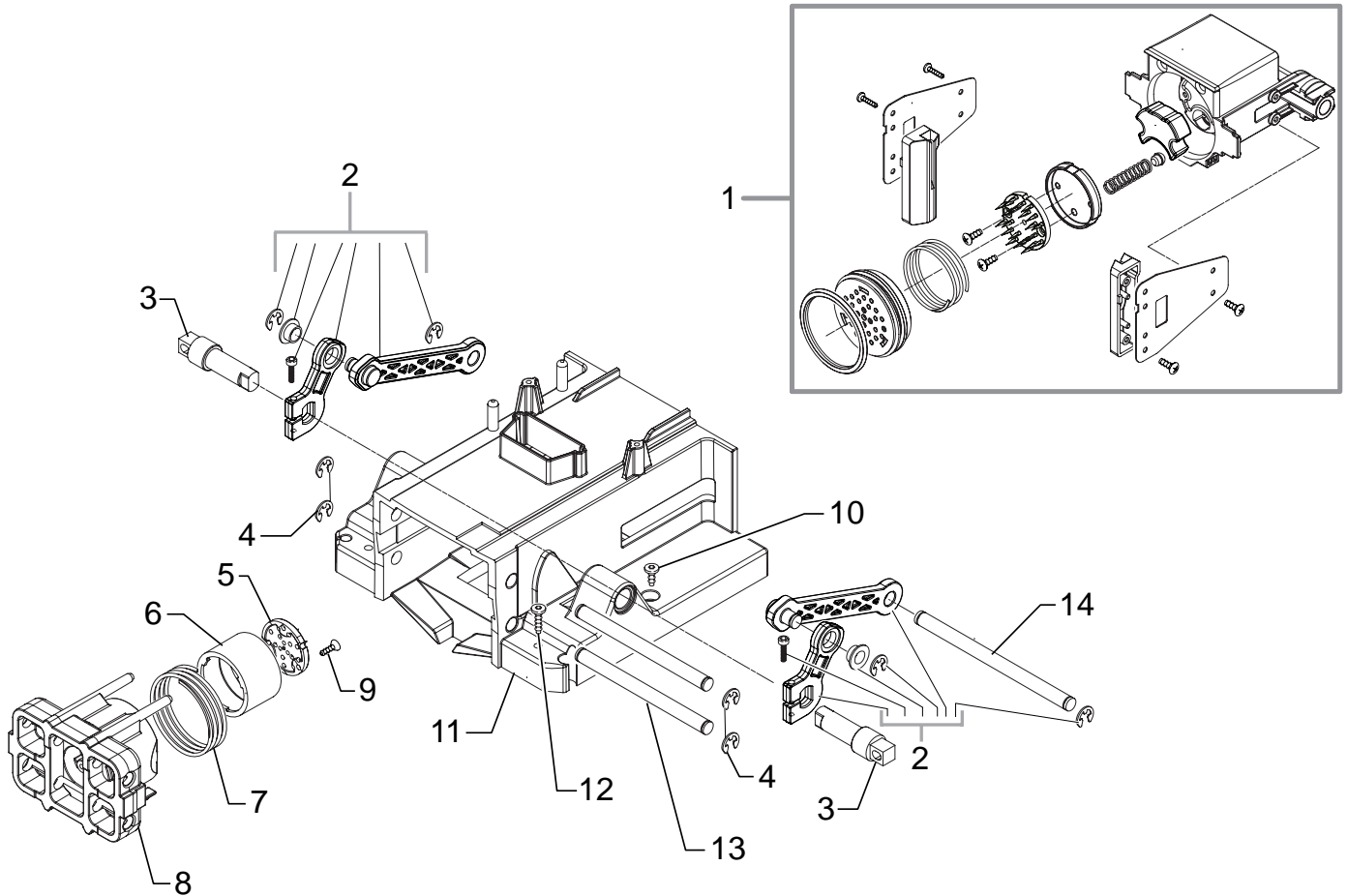


Saeco® SIN 029 H



Cod.10003162-63-64-69-3216-10003672

POS	CODICE	DESCRIZIONE	NOTE	POS	CODE	DESCRIPTION	NOTE
01	140324461	OR METRICO 0060-20 IN TERMOIL		01	140324461	OR METRIC 0060-20 IN TERMOIL	
02	141711350	BOCCOLA TUBO VAPORE P117 NERA		02	141711350	BLACK BUSH FOR STEAM TUBE P117	
03	11013342	AS.TUBO VAPORE V3 P604 OT/CROMATO		03	11013342	CHROMED STEAM TUBE V3 P604 ASSY.	
04	11008991	IMPUGNATURA TUBO VAPORE P604 NERO		04	11008991	BLACK STEAM TUBE HANDGRIP P604	
	11007194	IMPUGNATURA TUBO VAPORE G0053 NER.			11007194	BLACK STEAM TUBE HANDGRIP G0053	
05	11007447	RACCORDO BOCCOLA E TUBO VAP.P604 NERO		05	11007447	BLACK CONNec. FOR BUSH+STEAM TUBE P604	
06	12000892	FASCETTA OETIKER D=9,5 16700004		06	12000892	OETIKER CLAMP D=9,5 16700004	
07	16000380	TUBO SIL.RETINATO 5X8,9 REHAU MATASSA		07	16000380	5X8,9 SILICONE TUBE IN ROLL	
08	U110.010	VITE AUT.TCB 2,9X6,5 DIN 7981 F INOX		08	U110.010	SCREW AUT.TCB 2,9X6,5 DIN 7981 F	
09	140328059	OR 2015 IN SILICONE PTFE/FDA		09	140328059	OR 2015 IN SILICONE PTFE/FDA	
10	126765317	MOLLA AC.X PIST.CALD.MAGIC 9011.007		10	126765317	STEEL SPRING BOILER PISTON MAGIC	
11	11009007	TAPPO X RUBINETTO NESPRESSO OTT/TEA		11	11009007	TEA/BRASS CAP FOR FAUCET NESPRESSO	
12	11009018	AS.PISTONCINO C/GOLA L=15,1 OTT/TEA		12	11009018	TEA/BRASS PISTON L=15,1 ASSY.	
13	11011889	RUBINETTO VAPORE V2 P604 OTTONE		13	11011889	BRASS STEAM FAUCET V2 P604	
14	12001223	ELETTROVALVOLA JIAYIN P604	230V	14	12001223	SOLENOID VALVE JIAYIN P604	230V
15	JS01.022	TUBO SILICONE 5X10 60 SHORE IN MATASSA		15	JS01.022	SILICONE TUBE 5X10 60 SHORE IN ROLL	
16	11007452	RACCORDO VASCA RECUP.ACQUA P604 NERO		16	11007452	BLACK DRIP TRAY CONNECTOR P604	
17	147920150	RACCORDO INGRESSO POMPA A 90°		17	147920150	90°CONNECTOR PUMP INLET	
18	17000449	SUPPORTO POMPA V2 P604 NERO		18	17000449	BLACK PUMP SUPPORT V2 P604	
19	12000140	POMPA ULKA EP5/S GW	230V-50HZ	19	12000140	ULKA PUMP EP5/S GW	230V-50HZ
	12000167	POMPA ULKA EP5/S GW	240V-50HZ		12000167	ULKA PUMP EP5/S GW	240V-50HZ
20	11004689	AS.VALVOLA DI SICUREZZA 16-18 BAR P0049		20	11004689	SAFETY VALVE 16-18 BAR P0049 ASSY.	
21	9011.144	FORCELLA X TUBO D.4		21	9011.144	FORK FOR TUBE D.4	
22	11011504	COPERTURA PANNARELLO P0049 OT/CROM.TF		22	11011504	TF/CHROM.PANNARELLO COVER P0049	
23	129660302	VITE PANELVIT TCB 3X10 DIN 7505 ZNP		23	129660302	PANELVIT TCB SCREW 3X10 DIN 7505 Z	
24	11007446	SUPPORTO RUBINETTO P604 NERO		24	11007446	BLACK FAUCET SUPPORT P604	
25	140640300	ASTA RUBINETTO X SMART		25	140640300	FAUCET SHAFT FOR SMART	
26	140328561	OR D=4,18 X 1,90 IN TERMOIL		26	140328561	OR D=4,18 X 1,90 IN TERMOIL	
27	11007493	RACCORDO A T USCITA CALD.P604 NEUTRO		27	11007493	T CONNECTOR FOR BOILER P604	
28	U302.003	DADO ESAGONALE M4 UNI 5588 ZN		28	U302.003	NUT HEXAGONAL M4 UNI 5588	
29	128310402	ROSETTA UNI 8842 A4 ZINCATA		29	128310402	GALV.WASHER UNI 8842 A4	
30	124390520	FASTON PIEGATO 45° 6,3X0,8 OTTONE		30	124390520	BENT FASTON 45° 6,3X0,8 BRASS	
31	20000921	AS.CALDAIA INOX AUT-CAPS P604 C/RAC.	230V	31	20000921	SS BOILER AUT-CAPS P604 W/CONN.ASSY	230V
32	11006956	CAV.1FILO SILIC.BLUE C/TERMOFUS.184°		32	11006956	CABLE 1WIRE SILICONE BLUE TH/FUSE 184°	
33	12000894	TERMOSTATO 175° US-622PXRDN0-LC		33	12000894	THERMOSTAT 175° US-622PXRDN0-LC	
34	11008031	SUPPORTO CALDAIA P604 ACC.		34	11008031	STEEL BOILER SUPPORT P604	
35	11003514	SUPPORTO SENSORE CALDAIA MAGIC ESP/RD		35	11003514	BOILER SENSOR SUPPORT MAGIC ESP/RD	
36	U310.001	DADO AUTOBLOC.M3 UNI 7473 ZNP		36	U310.001	NUT SELF LOCK.M3 UNI 7473	
37	129570802	VITE TAPT.M3X10 DIN 7985 ZINC.		37	129570802	SCREW TAPT M3X10 DIN 7985 GALV	
38	11005973	MOLLA FERMA TERMOST.CALD.INOX AUTCAPS		38	11005973	THERMOST.FIXER SPRING BOILER AUTCAPS	
39	12000781	AS.TURBINA D=1,2 932-8521/90		39	12000781	TURBINE D=1,2 932-8521/90 ASSY.	
40	12000402	SENSORE TEMPERATURA NTC TESTA PIATTA		40	12000402	NTC TEMPERATURE SENSOR	
41	11007192	AS.CONNETTORE 3POLI TURBINA P604/E		41	11007192	3POLES CONNECTOR TURBINE P604/E	
42	11001620	CANOTTO INT.PANNARELLO P0049 NER.		42	11001620	BLACK PANNARELLO INTERNAL TUBE P0049	



Saeco® SIN 029 H



Cod.10003162-63-64-69-3216-10003672

POS	CODICE	DESCRIZIONE	NOTE	POS	CODE	DESCRIPTION	NOTE
01	11007914	AS.CAMERA MOBILE MECH.P604 NERO		01	11007914	BLACK MOVE CHAMBER FOR MECH.P604 ASSY.	
02	20000940	KIT RIC.MANOVEL.MOVIMENTO MECH.P604 NER.		02	20000940	KIT SPARES BLACK CRANK MECH.MOVING P604	
03	11007486	PERNO IMPUGN.APRI/CHIUDI MECH.P604 ZAMA		03	11007486	ZAMA PIN FOR HANDLE MECH.P604	
04	12000850	ANELLO EL.BLOCC.ALBERI D=6 UNI 7434		04	12000850	LOCKING SHAFT RING D=6 UNI 7434	
05	11014278	SUPPORTO FORATORE PEEK LB2-LB5 LB4000		05	11014278	PEEK LB2-LB5UPPER DRILLING SUPPORT LB400	
06	11007467	ANELLO CAMERA FISSA MECH.P604 NERO		06	11007467	BLACK RING FOR FIX CHAMBER MECH.P604	
07	11007490	MOLLA ANELLO CAMERA FISSA MECH.P604 ACC.		07	11007490	SPRING FOR RING FIX CHAMBER MECH.P604	
08	11007466	CAMERA FISSA MECH.P604 NERO		08	11007466	BLACK FIX CHAMBER FOR MECH.P604	
09	129912621	VITE PT KB 30X8 WN 1413 INOX A2		09	129912621	SCREW PT KB 30X8 WN 1413 INOX A2	
10	129912104	VITE TORX 4X10 FILET.9786 ZINC.NERO		10	129912104	SCREW TORX 4X10 UNI 9786 GALVANIZED	
11	11007427	SUPPORTO MECH.P604 NERO		11	11007427	BLACK MECH.SUPPORT P604	
12	V411760	VITE 3.9X16 TORX		12	V411760	SCREWS 3.9X16 TORX	
13	11007485	PERNO CAMERA FISSA MECH.P604 ACC.		13	11007485	STEEL PIN FOR FIX CHAMBER MECH.P604	
14	11007484	PERNO CAMERA MOBILE MECH.P604 ACC.		14	11007484	STEEL PIN FOR MOVE CHAMBER MECH.P604	