

**GAGGIA®**

**SUP038G RI9702/01-02-03-04-05-47**



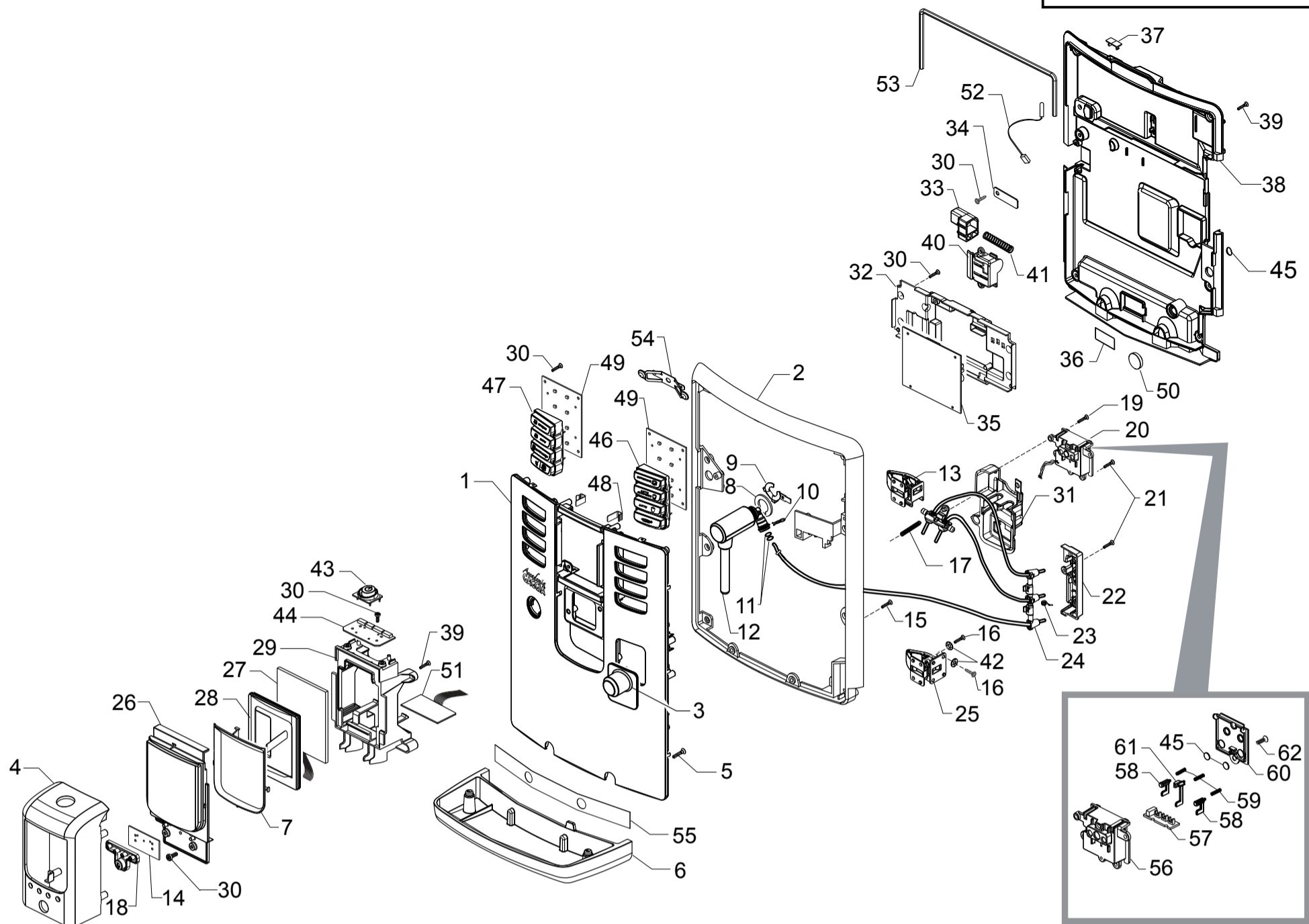
**Cod.10003301-80-81**  
**Cod.10003659-61-10003742**

POS	CODE	DESCRIPTION	NOTE	POS	CODE	DESCRIPTION	NOTE
01	15001992	MANUAL GAG SUP038G GMYB/H D/I		26	11024263	PWR BOARD MDS	230V
	15001993	MANUAL GAG SUP038G GMYB/H GB/F			11021342	PWR BOARD MYB9	120V
	15001994	MANUAL GAG SUP038G GMYB/H E/P		27	11012035	BLACK PWR BOARD COVER MYB9	
	15001995	MANUAL GAG SUP038G GMYB/H NL/PL		28	17000126	LK REAR PANEL WHIT LOGO GAGGIA V2 GMYB	
	15002625	MANUAL GAG SUP038G GMYB/H GB/CHN		29	11023304	INSULATE SHEET PWR ELECT.BOARD MYB9	120V
	15002627	MANUAL GAG SUP038G GMYB/H GB/P		30	11024521	M/BLK RIGHT SIDE PANEL V2 MYB9/H-T ASSY.	
02	146680850	BLACK COFFEE MEASURE SMART		31	11022808	OP/BLK FRONT COVER CASIN.INS.MYB9/H-P AS	
03	127390100	BRUSH FOR CLEANING		32	11013170	BLACK STEEL CASING MYB9 ASSY.	
04	11022867	GAGGIA KLUBER TRIBOSTAR SIL 2 TUBE 5GR.		33	11021769	BLACK RIGID FOOT FIXING PIN MYB9	
05	21001419	ACC GAG BRITA UNI.WAT.FILTERX1 EUR-ASIA		34	11021829	BLACK/TRANSP.RIGID FOOT MYB9	
	21001711	ACC GAG MAVEA UNI.WAT.FILTERX1 USA/BRA		35	11022527	BLACK DUMP BOX PROTECTION MYB9	
06	0301.961	STICKER FOR WATER HARDNESS TEST		36	11013595	BLACK DUMP BOX MYB9 ASSY.	
07	183911050	BLACK POWER CABLE SCHUKO L=1200MM		37	11022169	BLK DRIP TRAY COFF.BREW UNIT COVER MYB9	
	183921950	POWER CABLE SJT3 USA BLACK UL L=1200		38	17001901	BLACK COFFEE UNIT DRIP TRAY V2 MYB9	
	183970350	BLK POWER CABLE 3X1 H05VV-F UK L=1200MM		39	11013128	40POLES FLAT CABLE BOARDS LINK MYB9 UL	
	183940650	BLACK POWER CABLE AUSTRALIA L=1200		40	11013806	BLACK FLAT-CABLE COVER MYB9	
	183930650	POWER .CABL.CH BLACK 3X1 H05VV-F L=1200		41	WGA4316031000	ADESIVE HEATING-ELEMENT	230V
	11004247	BLACK POWER CABLE RVV 3X1 CHINAL=1200MM			11000791	ADESIVE HEATING-ELEMENT	120V
	17800019	BLACK POWER CABLE BRAZILL=1200		42	11008844	2POLES CONNECT.SUPPLY CUPWARMING G0053UL	
08	13001097	BAND FOR LIFTING L=1800 H=300 MM MYB9		43	17000420	BLACK SLIM BOILER PROTECTION MYB9	
09	20006919	KIT PS-E INSERT FOR BOX GMYB					
10	17000007	INSULATE SHEET COMPONENTS SUPPORT MYB9	120V				
11	13001095	DISPLAY BOX MYB9 GAGGIA ACCADEMIA					
12	12000450	SCREW TCBR TORX 10 3,5X12 PLAST.ZN-N					
13	11013210	SB/SS GROUND CONT.DOOR COVER S/S.MYB9 AS					
		<b>UP TO S/N. TU901227104140</b>					
	11025978	SB/SS GROUND CONT.DOOR COVER S/S.MYB9 AS					
		<b>FROM S/N TU901227104141</b>					
14	11029407	MATT/BLK WATER CONT.DOOR COV.V2 MYB9 ASS					
15	11024525	M/BLK LEFT SIDE PANEL V2 MYB9/H-T ASSY.					
16	11022426	SS SPRING FOR WATER CONTAINER LEVER MYB9					
17	12001263	BLACK PUSH-PUSH MYB9					
18	11022425	YELLOW LEVER FOR WATER CONTAIN.S/SC.MYB9					
19	17000059	SB/SS CUP WARMING LID V2 MYB9					
		<b>UP TO S/N. TU901227104140</b>					
	11025965	SB/SS CUP WARMING LID V2 MYB9					
		<b>FROM S/N TU901227104141</b>					
20	11029389	MATT/BLK BEAN CONT.DOOR COV.V2 MYB9 ASSY					
21	12001330	TRANSPAR.ROUND ADHESIVE FOOT SJ-5382					
22	11022822	OP/BLK REAR COVER CASING INS.MYB9 ASSY.					
23	17000205	BLACK COVER CASING W/PROTECT.V2 MYB9/T-H					
24	11000651	WATER LEVEL SENSOR BOARD P124					
25	11014017	BLACK HORIZONTAL MOUNTING PLATE MYB9 ASS					

**GAGGIA®**

**SUP038G**

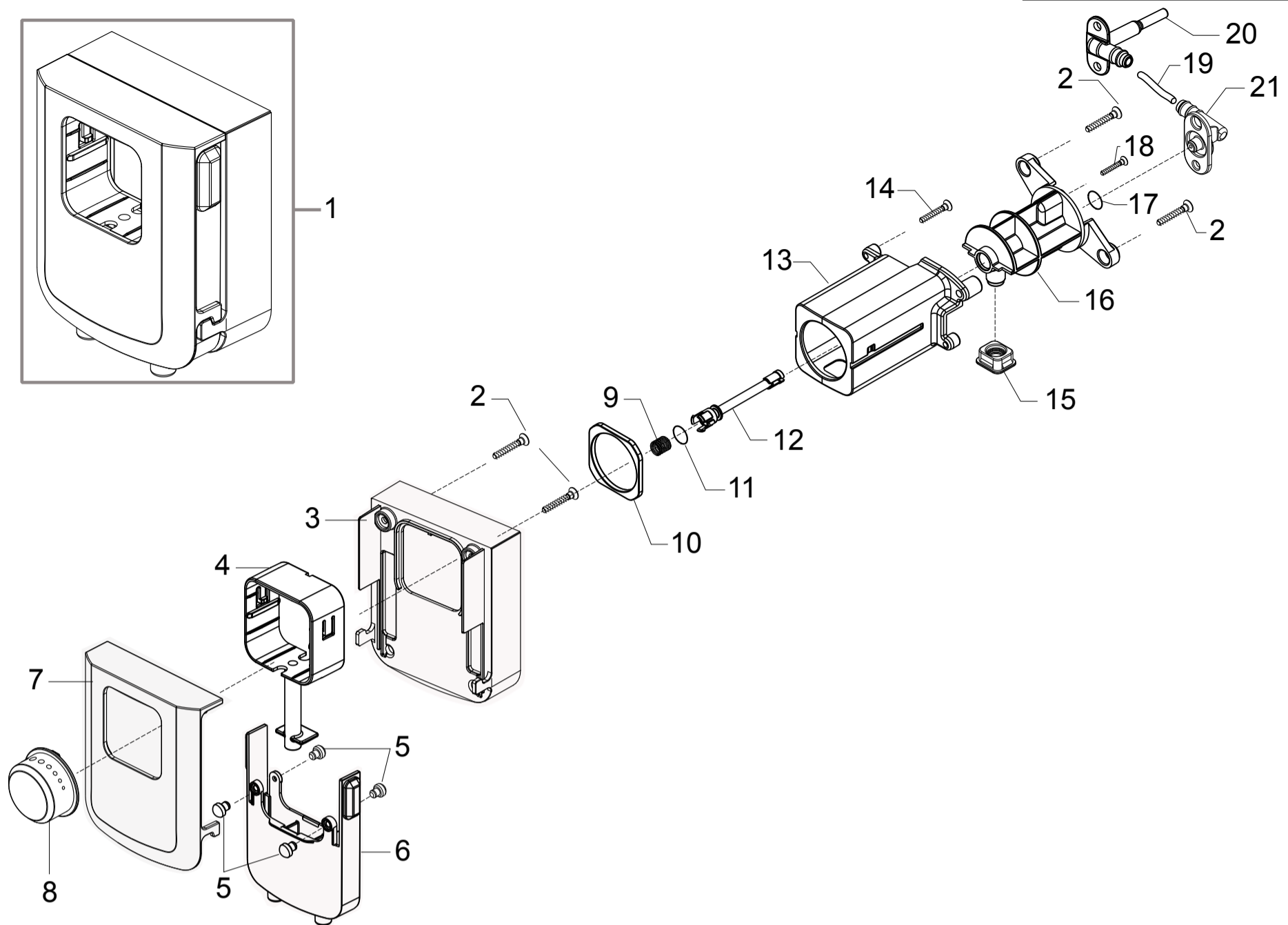
**GAGGIA ACCADEMIA**


**GAGGIA®**
**SUP038G RI9702/01-02-03-04-05-47**

**Cod.10003301-80-81  
Cod.10003659-61-10003742**

POS	CODE	DESCRIPTION	NOTE	POS	CODE	DESCRIPTION	NOTE
01	11022399	SB/SS FRONTAL PANEL S/SCREEN GMYB ASSY.		41	11021747	SPRING FOR DOOR RELEASE BUTTON MYB9	
02	11014003	CHROMED FRONT FRAME GMYB		42	128310402	GALV.WASHER UNI 8842 A4	
03	11024247	CHROM.CONNECT.CAP V2 FOR CARAFE MYB9 ASSY.		43	11021800	WHITE TOUCH PANEL 1 BUTTON S/SCR.GMYB	
04	11022411	CHROMED FRONT PANEL GMYB		44	11022454	KBD+SW STAND-BY GMYB ASSY.	
05	12001421	SCREW TCBD TORX 20 M4X12 SS		45	12001330	TRANSPAR.ROUND ADHESIVE FOOT SJ-5382	
06	11013999	CHROMED DRIP TRAY SUPPORT GMYB ASSY.		46	11021333	BLACK RIGHT BUTTONS S/SCR.GMYB ASSY.	
07	11023351	BLACK DISPLAY INSERT V2 GMYB		47	11021326	BLACK LEFT BUTTON S/SCR.GMYB ASSY.	
08	11001624	STEAM TUBE WASHER P0049		48	17000023	BRONZE FRONT FRAME SPRING GMYB	
09	17000055	GALVAN/STEEL FOLK SPRING W/FASTON		49	11022457	KEYBOARD BEVERAGE GMYB	
10	9011.144	SS FORK FOR TUBE D.4		50	17000025	BLACK INSIDE COVER FRONT PANEL CAP GMYB	
11	140328059	OR 2015 IN SILICONE PTFE/FDA		51	11022508	DISPLAY KEYBOARD GMYB	
12	11013244	TF/CHROM.STEAM TUBE MYB9 ASSY.		52	11013127	2POLES CONNECT.SENSOR REED DOOR MYB9 UL	
13	17000106	DOOR UPPER HINGE MYB9 V2		53	16000890	ADHES.TAPE ROLL 4959 W/EPDM H=5MM SP=2MM	
14	11022458	KEYBOARD MENU GMYB		54	11006740	BRONZE SPRING FOR FRONT CASING G0053	
15	12001430	SCREW TCB TORX 20 4X10 PLAST.SS		55	17000050	ADHES. PROTECTION	
16	129823821	TCB SCREW M4X8 UNI 7687 SS		56	11023238	BLACK V4 CARAFE BOARD SUPPORT MYB9 ASSY	
17	17000006	TWO WAY TEFLON TUBES SUPPORT SPRING MYB9		57	11013368	MILKCARAFE BOARD V2 MYB9	
18	11021789	BLACK TOUCH PANEL 5 BUTTONS S/SCR.GMYB		58	17000002	BLACK CARAFE MICRO INSERT V2 MYB9	
19	12000450	SCREW TCB TORX 10 3,5X12 PLAST.ZN-N		59	17000019	SS CARAFE MICRO INSERT SPRING MYB9	
20	11023423	BLK CARAFE BOARD SUPP.GEN.V2 MYB9 ASSY.		60	11013328	BLACK CARAFE BOARD COVER MYB9	
21	12001431	SCREW TCB TORX 10 3X12 PLAST.SS		61	17000045	BLK PRESENCE CARAFE MICRO INSERT V2 MYB9	
22	11013784	BLACK TEFLON TUBES SUPPORT COVER MYB9		62	12000895	SCREW TSP TORX 10 3X10 PLAST.SS	
23	11013785	TEFLON TUBES SUPPORT SPRING MYB9					
24	11023352	WHT PREFORM.TEFLON TUBES SUPP.MYB9 ASSY.					
25	17000094	DOOR LOWER HINGE V2 MYB9					
26	11021786	TRANSPARENT GLASS FOR DISPLAY GMYB					
27	12001261	DISPLAY 320x240 NO TOUCH BRIGHTNESS+MYB9					
28	11022039	BLACK DISPLAY SEAL GMYB					
29	11021803	BLACK DISPLAY SUPPORT GMYB					
30	129913202	SCREW TCB TORX 10 3X8 PLAST.ZN-B					
31	11023251	BLACK FRONTAL PANEL INSERT MYB9					
32	11022080	BLACK CPU BOARD COVER GMYB					
33	11014215	BLACK BUTTON FOR DOOR RELEASE MYB9					
34	11021976	GALV.PLATE FOR DOOR CLOSURE MYB9					
35	11022452	CPU+SW GMYB9 ASSY.					
	11026864	AS. CPU+SW GMYB SLIM	WITH BOILER SLIM				
		FROM TO S/N TU901150186483					
36	11000651	WATER LEVEL SENSOR BOARD P124					
37	11001339	TRANSPARENT INFRAREDS PLATE P0049					
38	11024065	BLK INSIDE COVER FRONT.PANEL S/SCR.GMYB					
39	129912521	SCREW TCB TORX 10 3,5X14 PLAST.SS					
40	17000008	BLACK COVER BUTTON FOR DOOR RELEASE GMYB					

**GAGGIA®**
**SUP038G**
**GAGGIA ACCADEMIA**

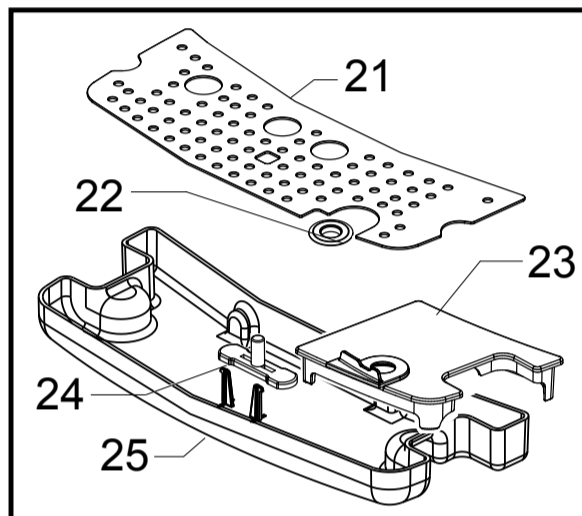
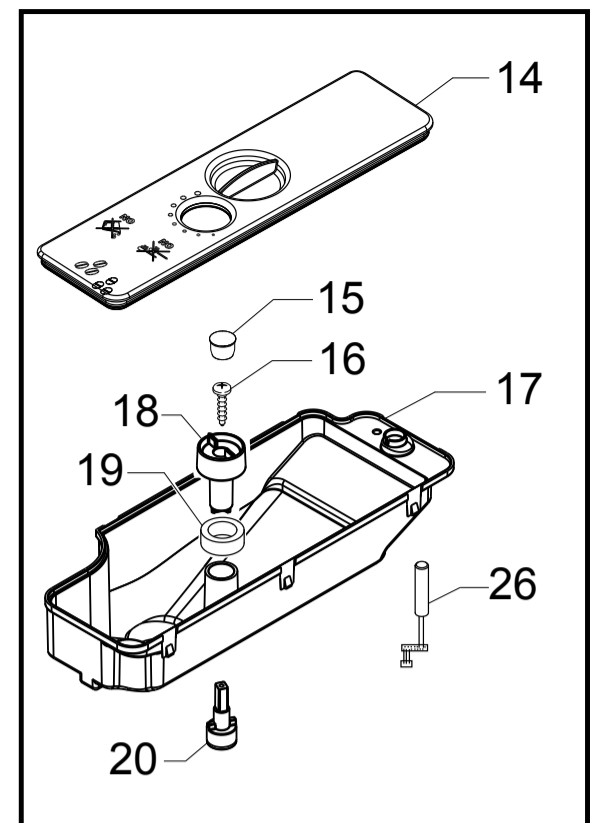
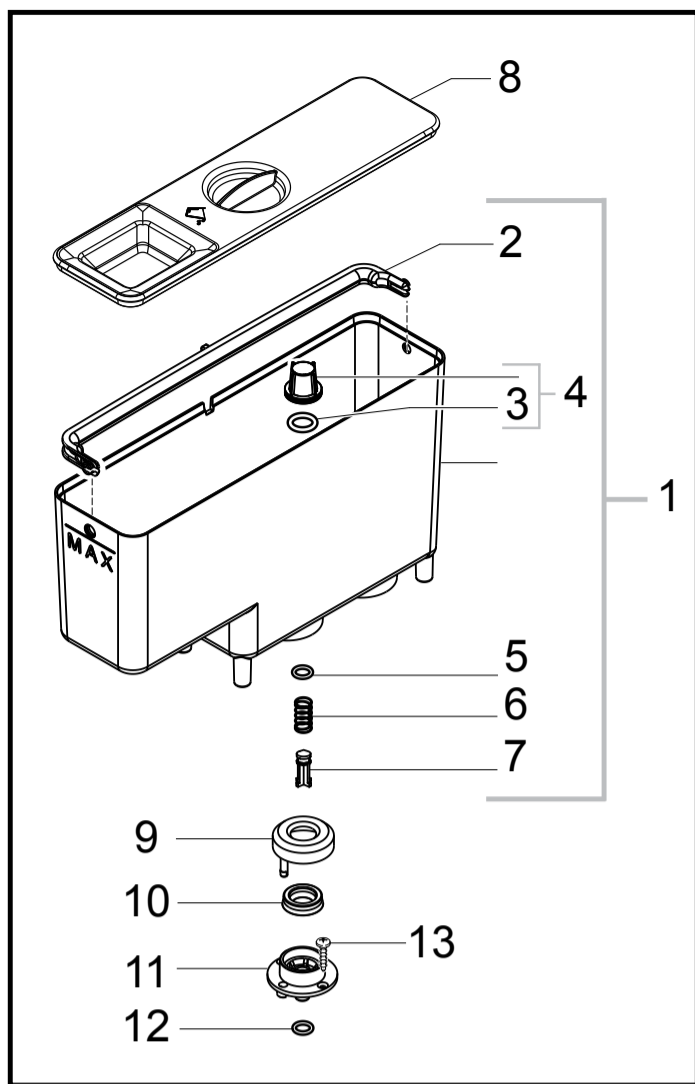

**GAGGIA®**
**SUP038G RI9702/01-02-03-04-05-47**

**Cod.10003301-80-81  
Cod.10003659-61-10003742**

POS	CODE	DESCRIPTION	NOTE	POS	CODE	DESCRIPTION	NOTE
01	11022403	CHROM.COFFEE DISPENSER GMYB ASSY. WITH PART. N° 02 - 03 - 04 - 05 - 06 - 07					
02	129570721	SCREW TCB TORX 10 M3X8 AUTOFORMING SS					
03	11022283	CHROM.REAR COVER COFFEE DISPENSER GMYB					
04	11021746	BLACK INNER BODY COFFEE DISPENS.GMYB					
05	11013085	WHITE COFFEE DISPENSER SLIDER MYB9					
06	11021389	BLACK EXT.MOBILE PART COF.DISPENSER GMYB					
07	11022402	CHROM.FRONT COFFEE DISPENSER COVER GMYB					
08	11022128	CHROMED CREAMADJUSTMENT KNOB SSCR.MYB9					
09	126772518	SS.SPRING FOR COF.CREAMADJUSTMENT SHAFT					
10	11013324	BLACK CREAMADJUSTMENT KNOB RING MYB9					
11	140326661	BLACK OR METRIC 0040-20 IN EPDM					
12	140640200	WHITE COFFEE CREAMADJUSTMENT SHAFT					
13	11013323	CHROM.COFFEE DISPENSER SUPPORT MYB9					
14	12000897	SCREW TCB TORX 10 3,5X20 PLAST.SS					
15	11013072	BLACK SEAL FOR COFFEE DISPENSER MYB9					
16	11013013	BLACK COFFEE DISPENSER TUBE MYB9					
17	12000070	OR METRIC 0060-15 IN SILICONE					
18	12000450	SCREW TCB TORX 10 3,5X12 PLAST.ZN-N					
19	149360200	SILICONE TUBE 5X8 70SR	IN ROLL				
20	11021967	BLACK DISPENSER COFF.INLET CONNECT.GMYB					
21	11021966	BLACK COFFEE DISPENSER CONNECTOR GMYB					

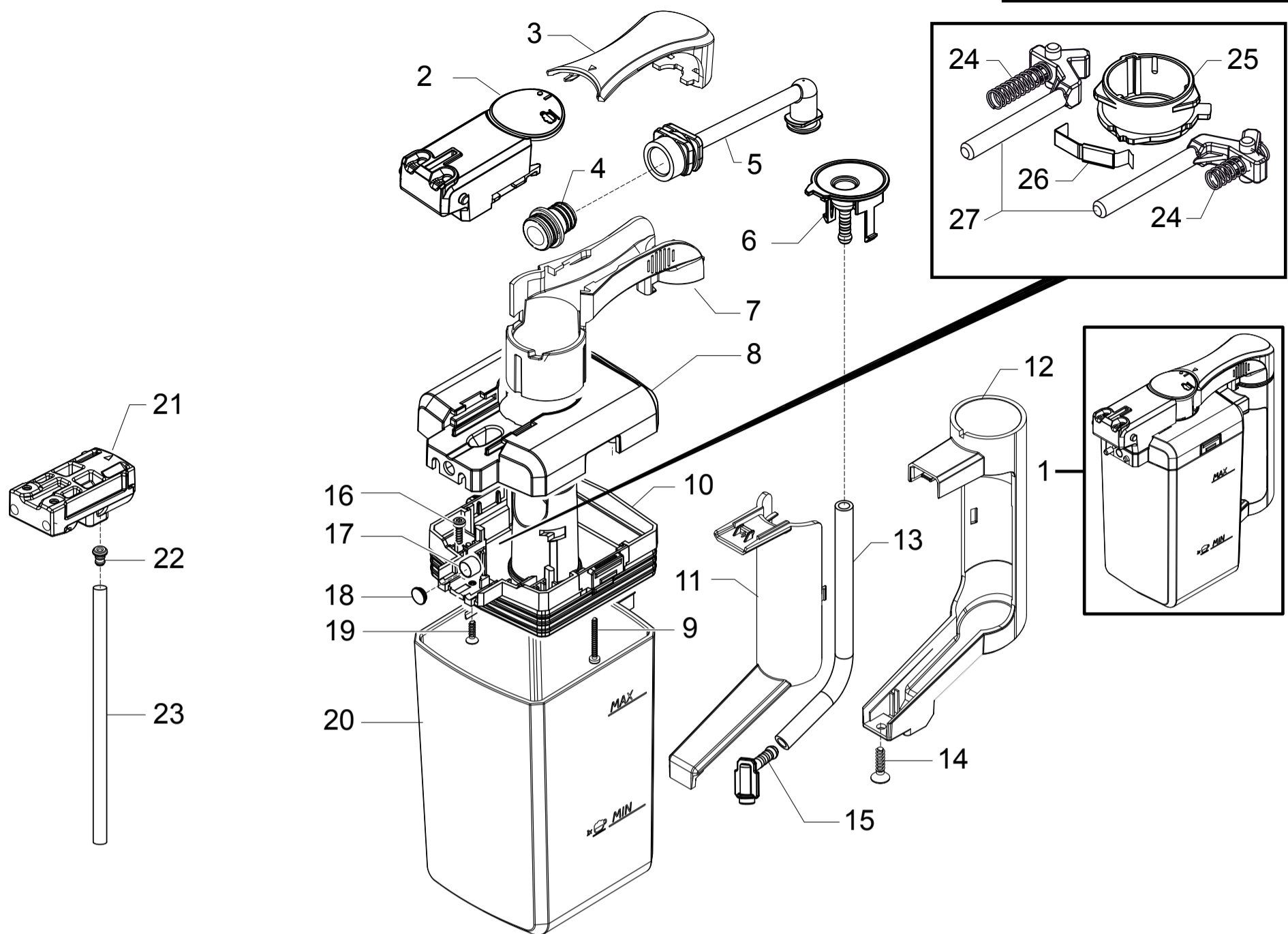
**GAGGIA®**
**SUP038G**
**GAGGIA ACCADEMIA**




**GAGGIA®**
**SUP038G RI9702/01-02-03-04-05-47**

**Cod.10003301-80-81  
Cod.10003659-61-10003742**

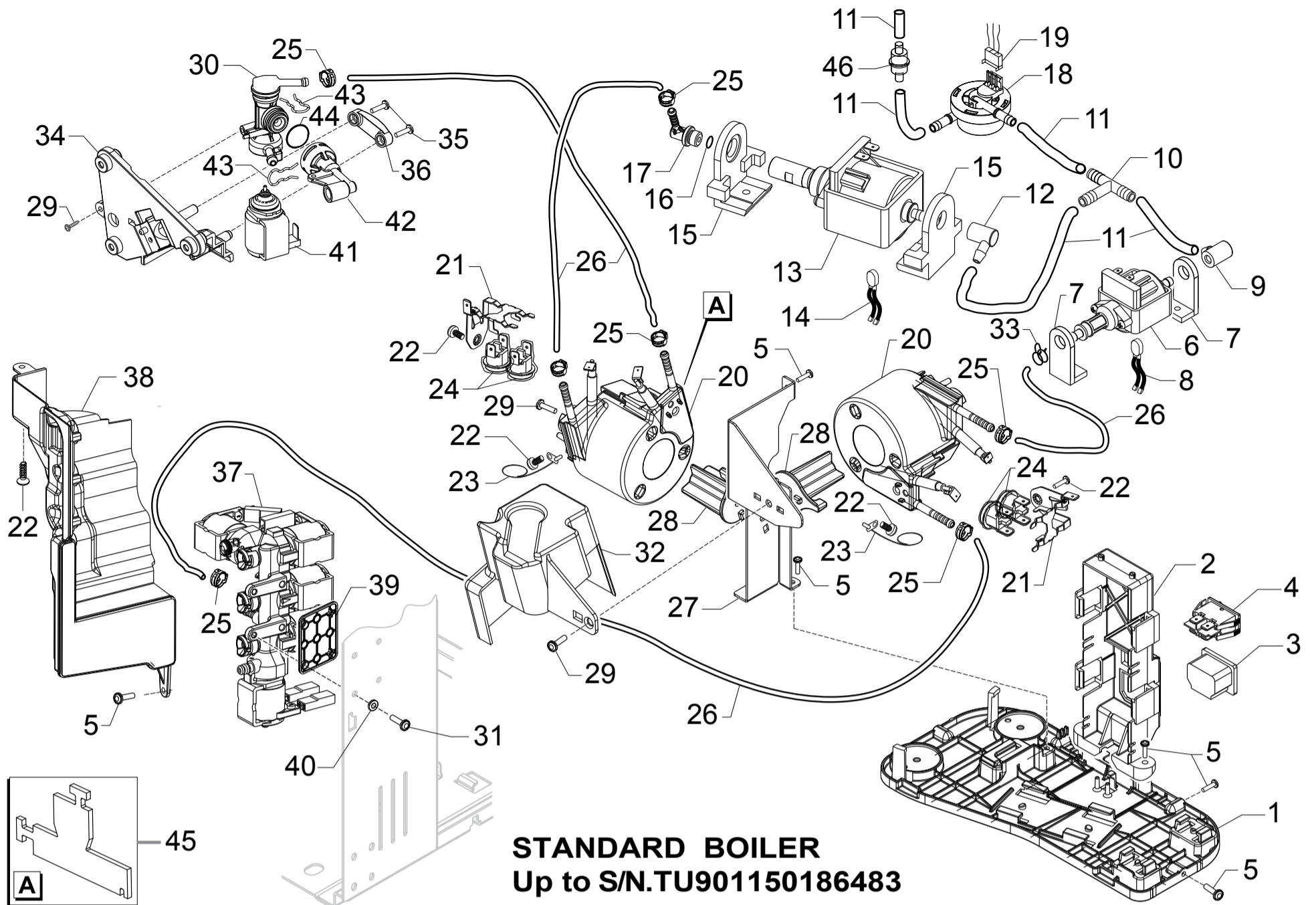
POS	CODE	DESCRIPTION	NOTE	POS	CODE	DESCRIPTION	NOTE
01	11013212	NATURAL/GREY WATER CONTAINER MYB9 ASSY.					
02	11012738	BLACK HANDLE WATER CONTAINER LID MYB9					
03	140328461	EPDM OR METRIC 0190-10					
04	224640200	EXTERNAL FILTER FOR WATER CONTAINER ASSY					
05	140324362	OR METRIC 0060-30 IN SILICONE					
06	126764718	SPRING FOR WATER CONTAINER VALVE					
07	147660562	GREY WATER VALVE CONTAINER PISTON					
08	11012736	NAT/GREY WATER CONTAINER LID MYB9					
09	0701.031.150	SEAL COVER GREY					
10	145842900	WATER CONTAIN.VALVE SEAL GACO DIM14					
11	0701.014.150	SEAL CONTAINER GREY					
12	140320461	OR ORM 0080-20 IN TERMOIL					
13	129535721	SCREW TSP TORX 10 3,5X9,5 SHEET SS					
14	17000202	AS.COP.CONT.CAF.GRANI V2 MYB9 GRI/NAT.					
15	149213059	GREY CAP FOR KNOBS BEAN CONTAINER					
16	129913902	SCREW TCB TORX 10 3X12 PLAST.ZN-B					
17	17000194	BLACK BEAN CONTAINER MYB9					
18	11012852	BLACK GRIND.ADJUSTMENT KNOB MBY9					
19	11022528	WASHER FOR GRIND.ADJUSTMENT KNOB MBY9					
20	145897300	INSERT GRINDING ADJUSTM.KNOB SMART					
21	11013997	BA/SS DRIP TRAY GRATE GMYB					
22	17000147	BLACK GRATE SEAL V3 MYB9/H-P					
23	11022418	BLACK DRIP TRAY COVER GMYB					
24	11013184	RED FLOAT FOR DRIP TRAY XSM					
25	11021796	BLACK DRIP TRAY GMYB					
26	17800061	5POLES CONNECTOR MC SENSORS V2 MYB9 UL					


**GAGGIA®**
**SUP038G RI9702/01-02-03-04-05-47**

**Cod.10003301-80-81  
Cod.10003659-61-10003742**

POS	CODE	DESCRIPTION	NOTE	POS	CODE	DESCRIPTION	NOTE
01	11022167	TRANSP//BLACK GENERAL CARAFE GMYB ASSY.					
02	11023235	CHR.CARAFE CAPP.COVER V2 S/SC.MYB9 ASSY.					
03	11022578	CHROM.UPPER CARAFE SUPPORT S/SCREEN GMYB					
04	11012812	VENTURI TUBE FOR CAPPUCCINATORE MYB9					
05	11022825	BLACK CARAFE MILK DISPENSER TUBE GMYB					
06	11022408	BLACK UPPER TUBE CARAFE CONNECT.GMYB					
07	11022576	CHROM.LOWER CARAFE SUPPORT GMYB					
08	11012816	BLACK UPPER COVER PART CARAFE MYB9					
09	12000550	SCREW TCB TORX 10 3X25 PLAST.SS					
10	11021893	BLACK LOWER COVER PART CARAFE MYB9 ASSY.					
11	11022580	CHROMED REAR PART HILT CARAFE GMYB					
12	11022579	CHROMED FRONT PART HILT CARAFE GMYB					
13	149360200	SILICONE TUBE 5X8 70SR	IN ROLL				
14	129911721	SCREW TSP TORX 4X16 PLAST STEEL					
15	11013164	BLACK LOWER TUBE CARAFE CONNECT.MYB9					
16	129910921	SCREW TCB TORX 10 3X10 SS					
17	9161.111	MAGNET FOR FLOAT SUPERAUTOM.					
18	11014016	SS.INSERT FOR MAGNET MYB9					
19	12000895	SCREW TSP TORX 10 3X10 PLAST.SS					
20	11024104	TRANSP.CARAFE V3 S/SCREEN MYB9					
21	17000004	BLK CARAFE CAPPUCCIN.CASING W/CAPS MYB9					
22	11026779	WHITE MILK TUBE CONNECTOR V2 MYB9					
23	11012814	SILICONE TUBE 3,5X6 L=140 MM					
24	11013765	STEEL SPRING FOR CARAFE LEVER MYB9					
25	11022752	BLACK CAM FOR CARAFE LEVERS GMYB					
26	11013832	CARAFE SPRING WITH INSERT MYB9 ASSY.					
27	17000131	BLACK LEVER FOR CARAFE CAM V3 MYB9					

**GAGGIA®**
**SUP038G**
**GAGGIA ACCADEMIA**
**TABLE 5/9**

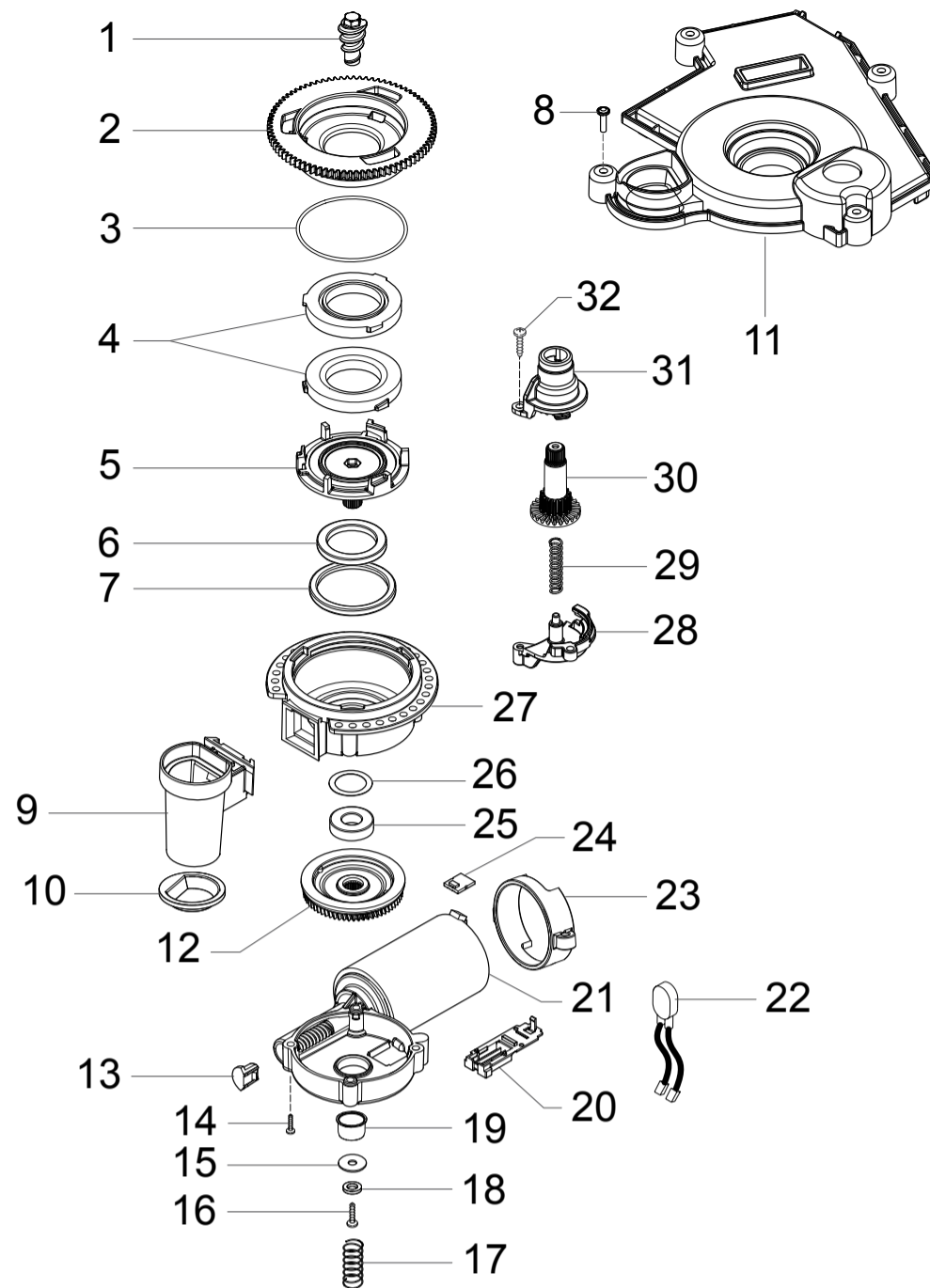

**GAGGIA®**
**SUP038G RI9702/01-02-03-04-05-47**

**Cod.10003301-80-81  
Cod.10003659-61-10003742**

POS	CODE	DESCRIPTION	NOTE	POS	CODE	DESCRIPTION	NOTE
01	11012205	BLACK COMPONENTS SUPPORT MYB9		38	11013528	BLACK DIFFUSER PROTECT.VALVE MYB9 ASSY.	
02	11012412	BLACK SOCKET-SWITCH SUPPORT MYB9		39	11021841	SOLENOID VALVE CONNECT.INSUL.PLATE MYB9	
	11023406	BLACK SOCKET-SWITCH SUPPORT MYB9 UL		40	11021842	SOLENOID VALVE CONNECT.INSUL.WASHER MYB9	
03	12001645	CUP SOCKET V2 EN 60320 C 13		41	20000590	BLOWDOWN VALVE COIL P0049 ASSY.	230V
04	NE03.038	BIPOLAR SWITCH FUSIT C1250AR			20000680	BLOWDOWN VALVE COIL P0049 ASSY.	120V
05	12000450	SCREW TCB TORX 10 3,5X12 PLAST.ZN-N			20000920	BLOWDOWN VALVE COIL P0049 ASSY.	220V-60HZ
06	12001212	ULKA PUMP MF	230V-50HZ	42	11007565	BLOWDOWN VALVE CONNECTOR V2 P0049	
	12001346	ULKA PUMP MF	120V-60HZ	43	11005096	FORK SPRING FOR VALVE P0049	
	12001348	ULKA PUMP MF	220V-50/60HZ	44	12000620	OR ORM 0130-20 IN EPDM	
07	11012194	BLACK ULKA MF PUMP SUPPORT		45	11021450	TUB.BOILER STD C1 INSULATING	FOR 230V - 240V
08	11013116	2POLES CONNECTOR STEAM PUMP MYB9 UL		46	144650300	SUCTION FILTER GAUZE NET 500 (NEW)	
09	11012193	90° INLET CONNECTOR FOR PUMP ULKA MF			11006995	V2 BLOWDOWN VALVE MYB9 230V ASSY.	
10	147920300	TEE CONNECTOR D=8 ART.80.26.047 KA.461			11022038	V2 BLOWDOWN VALVE MYB9 120V ASSY. WITH PART. N°30-41-42-43-44	
11	JS01.022	SILICONE TUBE 5X10 60 SHORE	IN ROLL		11009776	TUB.BOILER STD C1 ASSY.	230V- 1300W
12	147920150	90° INLET CONNECTOR PUMP			11009778	TUB.BOILER STD C1 ASSY. WITH PART. N°20-21-22-23-24	120V- 1300W
13	12000140	ULKA PUMP EP5/S GW	230V-50HZ				
	12000142	ULKA PUMP EAP5/S	120V-60HZ				
	12000182	ULKA PUMP EP5/S GW	220V-60HZ				
14	11013076	2POLES CONNECTOR COFFEE PUMP MYB9 UL					
15	11022857	BLACK PUMP SUPPORT GMYB					
16	140321961	OR 2031 IN TERMOIL					
17	11001054	90°CONNECTOR PUMP OUTLET P0049/B					
18	12000781	TURBINE D=1,2 932-8521/90 ASSY.					
19	11013122	6POLES CONNECTOR FLOWMETER MYB9 UL					
20	11011341	V4 TUB.BOILER	230V -1300W ASSY.				
	11011342	V4 TUB.BOILER	120V - 1300W ASSY.				
21	11010164	THERMOSTATES SPRING FOR BOILER					
22	12001715	SCREW TCB TORX 20 M4X8 AUTOFORMING ZN-B					
23	190800100	TEMPERATURE SENSOR NTC UL L=280MM					
24	12001034	THERMOSTAT ONE SHOT 175°					
25	12000892	OETIKER CLAMP D=9,5 16700004					
26	16000380	5X8,9 SILICONE TUBE	IN ROLL				
27	17000143	SUPP.CALD.TUB.SLIM MYB9 ACC.					
28	11012214	BLACK BOILERS SUPPORT MYB9					
29	12001280	SCREW TSP TORX 10 5X20 PLAST.ZN-B					
30	20006558	BLOWDOWN VALVE CASING MYB9 ASSY.					
31	129914302	SCREW TORX M4X10 TESTA D=8X1,5 GALV					
32	11022428	BLK COFFEE BOILER INSULATING COVER MYB9					
33	184320200	SPRING HOSE CLAMP D=9,5MM					
34	11012206	BLACK BLOWDOWN VALVE SUPPORT MYB9					
35	129913902	SCREW TCB TORX 10 3X12 PLAST.ZN-B					
36	11013711	BLACK VALVE FIXING FLANGE MYB9					
37	11013165	DIFFUSER VALVE MYB9 ASSY.					

**GAGGIA®**
**SUP038G**
**GAGGIA ACCADEMIA**
**TABLE 6/9**

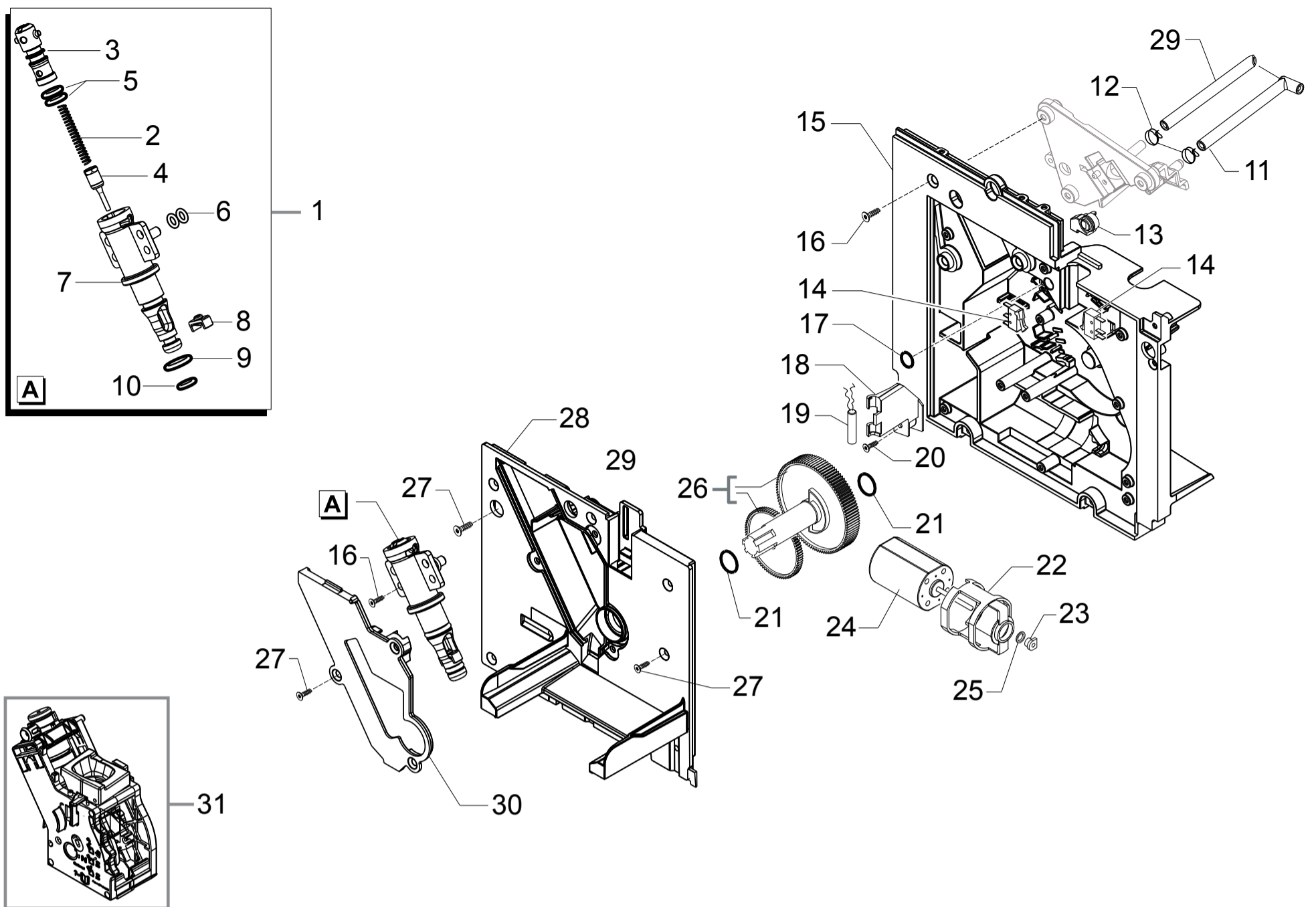



**GAGGIA®**
**SUP038G RI9702/01-02-03-04-05-47**

**Cod.10003301-80-81  
Cod.10003659-61-10003742**

POS	CODE	DESCRIPTION	NOTE	POS	CODE	DESCRIPTION	NOTE
01	11011205	TEA ZAMA INCREASE SCREW GRINDER					
02	149198250	UPPER GRINDER SUPPORT COFFEEGRINDER					
03	140328960	NBR FDA OR METRIC 0530-15					
04	146520100	BAKED CLAY GRINDER 48X28					
05	149198350	LOWER GRINDER SUPPORT COFFEEGRINDER					
06	123030300	AXIAL BEARING EKKO 342.35252					
07	140360500	FELT RING 45,4X39,4X4					
08	12000450	SCREW TCB TORX 10 3,5X12 PLAST.ZN-N					
09	11026355	BLK GROUND COFF.OUTLET CONVEYOR V4 ASSY.					
10	11030459	GRY GROUND COFFEE CONTLOWER SEAL SMART1					
11	11012856	SOUNDPROOFING COVER FOR COF.GRINDER MYB9					
12	226000300	GEAR SX Z=38 FOR GRINDER MOTION ASSY.					
13	149214800	CAP FOR WORM SCREW MC/V3 CENTRING					
14	129661702	SCREW TCB TORX 3,5X30 PLAST.ZN-B					
15	128381902	GALVAN.FLAT WASH.DI=4,3 DE=14 SP=1,5					
16	129574802	SCREW TCB TORX 20 M4X30 ZN-B					
17	11000597	COFFEE GRINDER SUPPORT SPRING P124					
18	128310402	GALV.WASHER UNI 8842 A4					
19	11002873	INSULATOR BUSH FOR GRINDER MOTOR P124					
20	149199050	SENSOR SUPPORT FOR COFF.GRIND.MOTOR					
21	11000513	MOTOR COFFEEGRINDER V3.1 ASSY	230V				
	11000511	MOTOR COFFEEGRINDER V3.1 ASSY	120V				
22	11013079	2POLES CONNECTOR GRINDER MOTOR MYB9 UL					
23	11000194	BLACK GRINDER MOTOR SUPPORT P124					
24	181540900	ELECTRONIC BOARD WITH SENSOR HAL506					
25	123030200	RADIAL BEARING 61900.2RS1					
26	128381800	CRINKLE WASHER 21,8X15,8X0,2					
27	142905450	UPPER BODY WITH COFFEE.GROUND OUTLET					
28	149199850	LOWER GEAR SUPPORT COFFEEGRINDER SMART					
29	126772918	SPRING FOR ADJUSTMENT GRINDING GEAR					
30	146002150	COFFEE GRINDING ADJUSTMENT GEAR SMART					
31	149199750	UPPER GEAR SUPPORT COFFEEGRINDER SMART					
32	129914002	SCREW TCB TORX 10 3,5X16 PLAST.ZN-B					
	11013147	GENERAL MOTOR MC MYB9 ASSY.	230V				
	11022036	GENERAL MOTOR MC MYB9 ASSY.	120V				

**GAGGIA®**
**SUP038G**
**GAGGIA ACCADEMIA**
**TABLE 7/9**

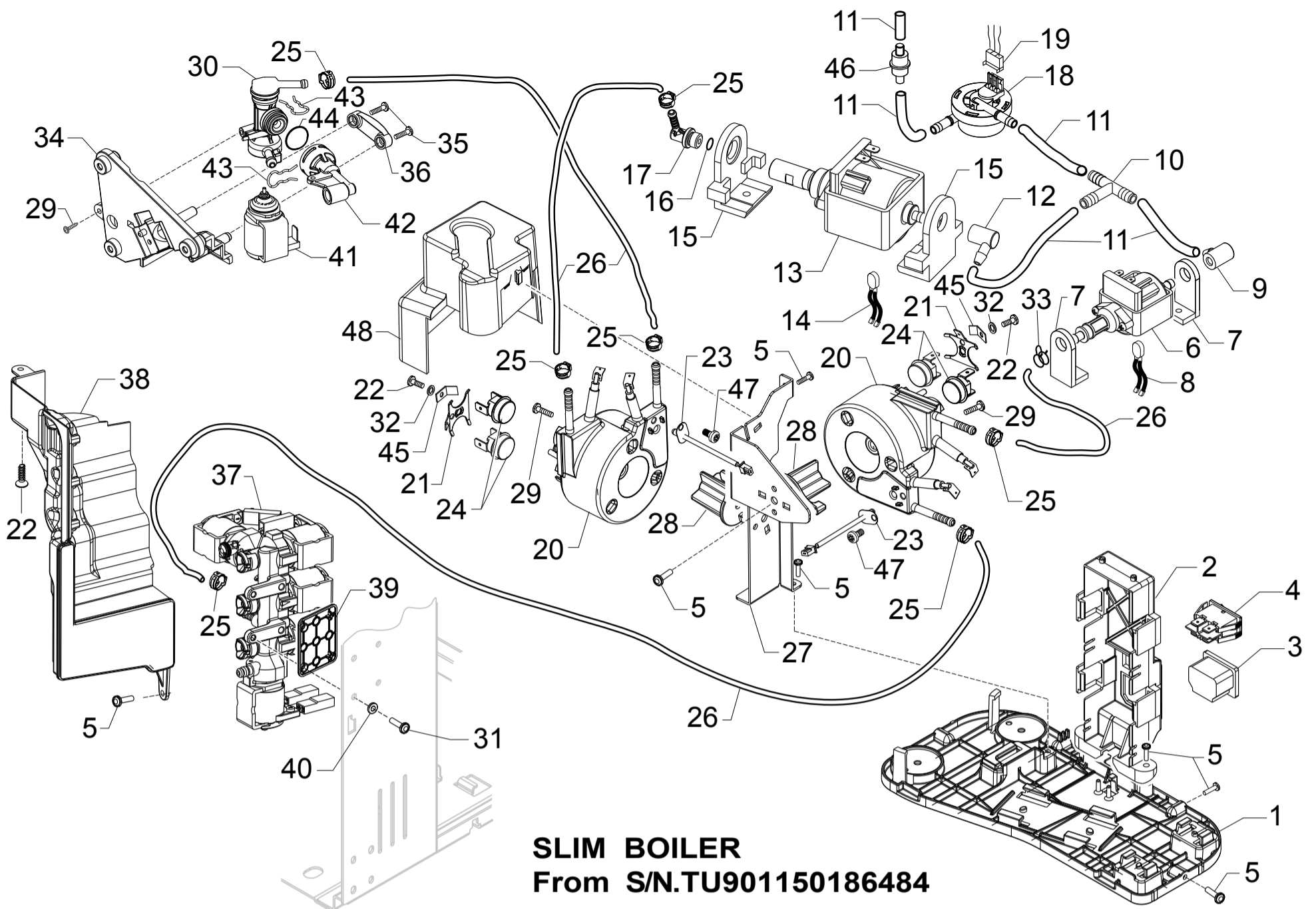

**GAGGIA**<sup>®</sup>
**SUP038G RI9702/01-02-03-04-05-47**

**Cod.10003301-80-81  
Cod.10003659-61-10003742**

POS	CODE	DESCRIPTION	NOTE	POS	CODE	DESCRIPTION	NOTE
01	11005060	PIN V2 FOR BOILER P119 ASSY.					
02	9011.132	SPRING FOR PIN					
03	11003820	CAP V2 FOR PIN BOILER P119					
04	11009019	TEA/BRASS PISTON L=20,9 ASSY.					
05	140324459	OR ORM 0060-20 IN SILICONE PTFE/FDA					
06	140328059	OR 2015 IN SILICONE PTFE/FDA					
07	11003801	NATURAL PIN V2 FOR BOILER P119					
08	11005099	NATURAL CURSOR V2 FOR BOILER P119					
09	NM01.035	OR ORM 0090-20 SILICONE					
10	NM01.057	OR ORM 0050-20 IN SILICONE					
11	11012337	WATER DRAIN CONNECTOR MYB9					
12	NV99.087	BAND D=11/11,6					
13	11013514	BLACK COVER MOUNTING PLATE SEAL MYB9					
14	NE05.038	MICROSWITCH					
15	227533550	BLACK MOUNTING PLATE WITH PIN P119 ASSY.					
16	12000450	SCREW TCB TORX 10 3,5X12 PLAST.ZN-N					
17	140325462	OR METRIC 0070-20 IN SILICONE					
18	11012976	BLACK SENSOR SUPPORT MYB9					
19	11003661	REED SENSOR MK3-1A66-BV16451					
20	129913902	SCREW TCB TORX 10 3X12 PLAST.ZN-B					
21	9161.132	MYLAR WASHER FOR RATIOMOTOR					
22	9121.044	ANTIVIBRATION FOR MOTOR					
23	9121.046	SINTERED BUSH FOR MOTOR					
24	11005214	MOTOR FOR RATIOMOTOR P124 ASSY.					
25	148380200	WASHER BAKELIZZATE D=5,5					
26	20000900	SPARES KIT GEARS FOR RATIOMOTOR V2					
27	12001860	SCREW TSP TORX 10 3,5X14 PLAST.SS					
28	11013513	BLACK COVER MOUNTING PLATE MYB9					
29	JS01.022	SILICONE TUBE 5X10 60 SHORE	IN ROLL				
30	142856550	BLACK COVER FOR VAIN BOILER P119					
31	11012810	BLACK BREW UNIT 8GR.SBS MYB9 <b>SEE COD. EXPL. E90071 LAST PAGE</b>					

**GAGGIA**<sup>®</sup>
**SUP038G**
**GAGGIA ACCADEMIA**
**TABLE 8/9**





**SLIM BOILER**  
From S/N.TU901150186484

**GAGGIA®**

**SUP038G RI9702/01-02-03-04-05-47**



**Cod.10003301-80-81**  
**Cod.10003659-61-10003742**

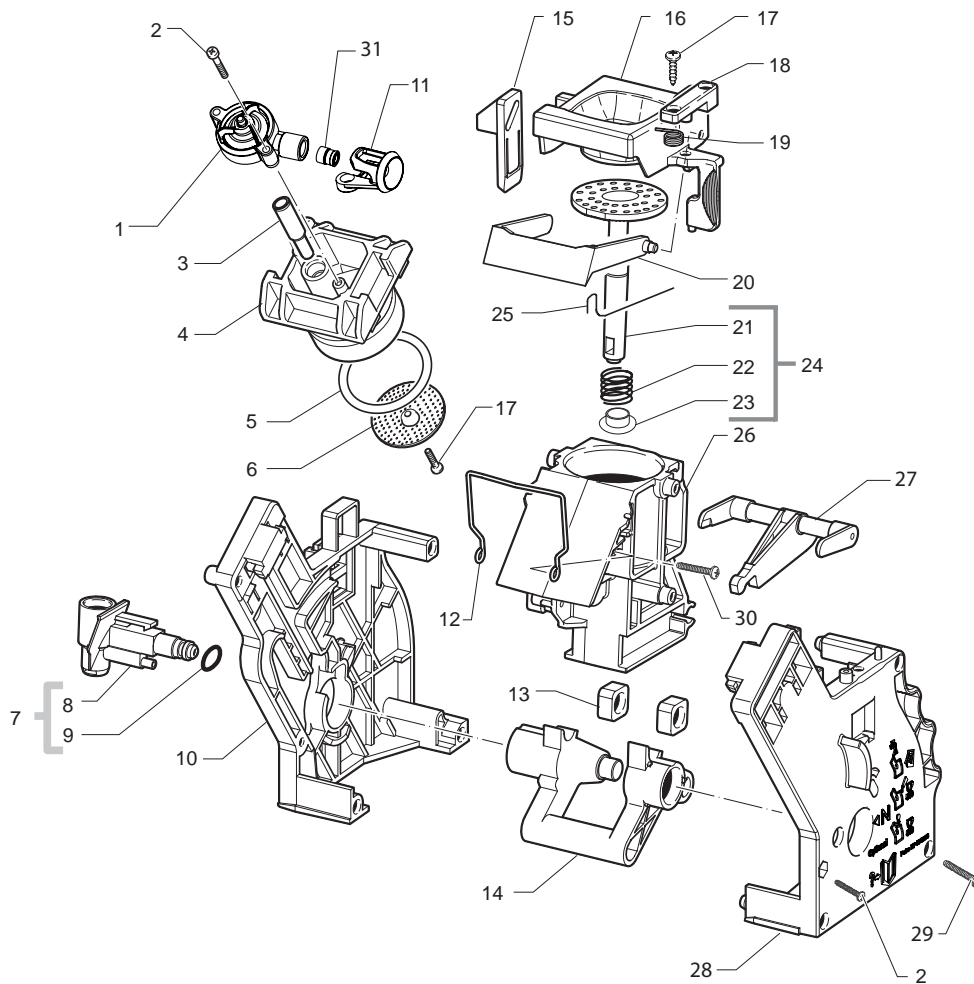
POS	CODE	DESCRIPTION	NOTE	POS	CODE	DESCRIPTION	NOTE
01	11012205	BLACK COMPONENTS SUPPORT MYB9		39	11021841	SOLENOID VALVE CONNECT.INSUL.PLATE MYB9	
02	11023406	BLACK SOCKET-SWITCH SUPPORT MYB9 UL		40	11021842	SOLENOID VALVE CONNECT.INSUL.WASHER MYB9	
03	12000280	CUP SOCKET EN 60320 C 13		41	20000590	BLOWDOWN VALVE COIL P0049 ASSY.	230V
04	NE03.038	BIPOLAR SWITCH FUSIT C1250AR			20000680	BLOWDOWN VALVE COIL P0049 ASSY.	120V
05	12000450	SCREW TCB TORX 10 3,5X12 PLAST.ZN-N		42	11007565	BLACK BLOWDOWN VALVE CONNECTOR V2 P0049	
06	12001212	ULKA PUMP MF	230V-50HZ	43	11005096	SS FORK SPRING FOR BLOWDOWN VALVE P0049	
	12001346	ULKA PUMP MF	120V-60HZ	44	12000620	OR ORM 0130-20 IN EPDM	
07	11012194	BLACK ULKA MF PUMP SUPPORT		45	124390520	BRASS BENT FASTON 45° 6,3X0,8	
08	11013116	2POLES CONNECTOR STEAM PUMP MYB9 UL		46	144650300	ASPIRATION FILTER GAUZE NET 500 (NEW)	
09	11012193	90° INLET CONNECTOR FOR PUMP ULKA MF		47	12001715	SCREW TCB TORX 20 M4X8 AUTOFORMING ZN-B	
10	147920300	TEE CONNECTOR D=8 ART.80.26.047 KA.461		48	17000042	BLK COFF. BOILER INSULATING COVER MYB9/P	
11	JS01.022	SILICONE TUBE 5X10 60SH	IN ROLL		11006995	BLOWDOWN VALVE V2 MYB9 ASSY.	230V
12	147920150	90° INLET PUMP CONNECTOR			11022038	BLOWDOWN VALVE V2 MYB9 ASSY.	120V
13	12000140	ULKA PUMP EP5/S GW	230V-50HZ			BLOWDOWN VALVE V2 MYB9 ASSY.	WITH PART. N°30-41-42-43-44
	12000142	ULKA PUMP EAP5/S	120V-60HZ			BLOWDOWN VALVE V2 MYB9 ASSY.	WITH PART. N°30-41-42-43-44
14	11013076	2POLES CONNECTOR COFFEE PUMP MYB9 UL		11026313	SLIM TUB. BOIL. STD C2 T190° AS	230V-1300W	
15	11022857	BLACK PUMP SUPPORT GMYB			11026314	SLIM TUB. BOIL. STD C2 T190° AS	120V -1300W
16	140321961	OR 2031 IN TERMOIL				SLIM TUB. BOIL. STD C2 T190° AS	WITH PART. N°20-21-22-23-24-32-45
17	11001054	BLK PUMP OUTLET 90°CONNECTOR P0049/B				SLIM TUB. BOIL. STD C2 T190° AS	WITH PART. N°20-21-22-23-24-32-45
18	12000781	TURBINE D=1,2 932-8521/90 ASSY.				SLIM TUB. BOIL. STD C2 T190° AS	WITH PART. N°20-21-22-23-24-32-45
19	11013122	6POLES CONNECTOR FLOWMETER MYB9 UL				SLIM TUB. BOIL. STD C2 T190° AS	WITH PART. N°20-21-22-23-24-32-45
20	11013735	SLIM TUB. BOILER ASSY.	230V-1300W			SLIM TUB. BOILER 1300W 120V ASSY.	
	11023153	SLIM TUB. BOILER 1300W 120V ASSY.	120V-1300W			TUB. BOILER V3 UPPER THERMOSTATES SPRING	
21	11001751	TUB. BOILER V3 UPPER THERMOSTATES SPRING		22	129573402	SCREW TAPT M4X10 DIN 7985 GALV	
22	129573402	SCREW TAPT M4X10 DIN 7985 GALV		23	190800100	TEMPERATURE SENSOR NTC UL L=280MM	
23	190800100	TEMPERATURE SENSOR NTC UL L=280MM		24	12001033	THERMOSTAT ONE SHOT 190°	
24	12001033	THERMOSTAT ONE SHOT 190°		25	12000892	OETIKER CLAMP D=9,5 16700004	
25	12000892	OETIKER CLAMP D=9,5 16700004		26	16000380	5X8,9 SILICONE TUBE	IN ROLL
26	16000380	5X8,9 SILICONE TUBE	IN ROLL	27	17000143	STEEL SLIM TUB. BOILER SUPPORT MYB9	
27	17000143	STEEL SLIM TUB. BOILER SUPPORT MYB9		28	11023282	BLACK SLIM TUB. BOILERS SUPPORT MYB9	
28	11023282	BLACK SLIM TUB. BOILERS SUPPORT MYB9		29	12001369	SCREW TSP TORX 10 5X35 PLAST.SS	
29	12001369	SCREW TSP TORX 10 5X35 PLAST.SS		30	20006558	BLOWDOWN VALVE CASING MYB9 ASSY.	
30	20006558	BLOWDOWN VALVE CASING MYB9 ASSY.		31	129914302	SCREW TORX M4X10 TESTA D=8X1,5 GALV	
31	129914302	SCREW TORX M4X10 TESTA D=8X1,5 GALV		32	128310402	GALV. WASHER UNI 8842 A4	
32	128310402	GALV. WASHER UNI 8842 A4		33	184320200	SPRING HOSE CLAMP D=9,5MM	
33	184320200	SPRING HOSE CLAMP D=9,5MM		34	11012206	BLACK BLOWDOWN VALVE SUPPORT MYB9	
34	11012206	BLACK BLOWDOWN VALVE SUPPORT MYB9		35	129913902	SCREW TCB TORX 10 3X12 PLAST.ZN-B	
35	129913902	SCREW TCB TORX 10 3X12 PLAST.ZN-B		36	11013711	BLACK VALVE FIXING FLANGE MYB9	
36	11013711	BLACK VALVE FIXING FLANGE MYB9		37	11013165	DIFFUSER VALVE MYB9 ASSY.	
37	11013165	DIFFUSER VALVE MYB9 ASSY.		38	11013528	BLACK DIFFUSER PROTECT. VALVE MYB9 ASSY.	
38	11013528	BLACK DIFFUSER PROTECT. VALVE MYB9 ASSY.					

**GAGGIA®**

**SUP038G**

**GAGGIA ACCADEMIA**

**TABLE 9/9**



**Saeco**  
INTERNATIONAL GROUP

**SUP038**



**Cod. 11012810**

POS	CODICE	DESCRIZIONE	NOTE
01	11010660	AS.VALVOLA SAECO BREWING SYSTEM STD	
02	12000550	VITE TCB 3X25 PLAST.INOX	
03	11009276	TUBO X CONTROPIST.GRUPPO S0053 NERO	
04	11001840	CONTROPISTONE GRUPPO P124 8GR. NERO	
05	NM01.044	OR ORM 0320-40 IN SILICONE PTFE/FDA	
06	9161.268	DOCCIA DE=35,8 ELFO	
07	20000440	GRUPPO RICAMBIO MANICOTTO NERO	
08	9161.064.050	MANICOTTO ENTRATAACQUA GRUP.CAFFE.NERO	
09	NM02.007	OR 2025 TERMOIL	
10	9161.375.050	PIASTRA POSTERIORE GRUPPO SMART NERO	
11	145899250	INSERTO CENTRAGGIO RAC.USCITA CAF.P124	
12	11001556	MOLLA RASATORE H=49 X GRUPPO CAF.SMART	
13	9161.094.050	BLOCCETTO FORATO GRUP.CAFFE' PA/NERO	
14	9161.066.050	ALBERO A GOMITO X GRUPPO NERO	
15	9161.373.050	PIASTRINA AGGANCIO GRUP.CAF.SMART NERO	
16	149261350	TRAMOGGIA GRUPPO CAFFE' SMART1 NERO	
17	12000895	VITE TSP 3X10 PLAST.INOX	
18	9161.374.050	PIASTRA FISS.TRAMOG.GRUP.CAF.SMART NERO	
19	9161.378	MOLLA TRAMOGGIA GRUPPO CAFFE' SMART	
20	11004161	RASATORE X GRUPPO CAFFE' NERO	
21	11003077	AS.PISTONE INTEGRALE GRUP.P124 8GR.NERO	
22	9161.198	MOLLA PISTONE GRUPPO CAFFE' M5000	
23	9161.191	BOCCOLA PISTONE GRUP.CAFF.M5000 NEUTRO	
24	11023086	AS.GEN.PISTONE INTEGR.GRUP.CAF.8GR.NER.	
25	9161.046	MOLLA X RASATORE GRUPPO	
26	11003075	AS.CONT.CAF.C/BOCC.SALD.GRUP.P124 8G.NER	
27	11003078	BIELLA X GRUPPO P124 8GR.NERO	
28	11005920	PIASTRA ANT.GRUPPO SMART S/F.NER.SER.NEW	
29	12000897	VITE TCB 3,5X20 PLAST.INOX	
30	129912521	VITE TCBR 3,5X14 PLAST.INOX	
31	145857962	GUARNIZ.INSERTO RACC.USCITA CAF.P124 NER	
	11012810	GRUPPO CAFFE' 8GR/SBS MYB9 NER.	

POS	CODE	DESCRIPTION	NOTA
01	11010660	SAECO BREWING SYSTEM VALVE STD ASSY.	
02	12000550	SCREW TCB TORX 10 3X25 PLAST.SS	
03	11009276	TUBE FOR COUNTER PISTON BREW UNIT S0053	
04	11001840	BLACK COUNTER PISTON BREW UNIT 8GR.P124	
05	NM01.044	OR ORM 0320-40 IN SILICONE PTFE/FDA	
06	9161.268	PERCOLATOR DE=35,8 ELFO	
07	20000440	BLACK SPARE SLEEVE UNIT	
08	9161.064.050	BLACK WATER INLET SLEEVE BREW UNIT	
09	NM02.007	OR 2025 TERMOIL	
10	9161.375.050	BLACK REAR PLATE FOR BREW UNIT SMART	
11	145899250	CONNECTION COFFEE FOR P124 GROUP	
12	11001556	SPRING H=49 FOR COFFEE BREW UNIT SMART	
13	9161.094.050	BLACK DRILLED BLOCK BREW UNIT	
14	9161.066.050	ELBOW SHAFT FOR UNIT BLACK	
15	9161.373.050	BLACK COUPLING PLATE BREW UNIT SMART	
16	149261350	BLACK HOPPER DOSER BREW UNIT SMART1	
17	12000895	SCREW TSP TORX 10 3X10 PLAST.SS	
18	9161.374.050	BLACK HOPPER BLOCKING PLATE UNIT SMART	
19	9161.378	SPRING HOPPER SMART BREW UNIT	
20	11004161	BLACK SCRAPER FOR COFFEE UNIT	
21	11003077	BLACK INTEGRAL PISTON UNIT P124 8GR.ASS	
22	9161.198	PISTON SPRING BREW UNIT M5000	
23	9161.191	NEUTRAL PISTON BUSH BREW UNIT M5000	
24	11023086	BLK 8GR.BREW UNIT NTEGR.PISTON GEN.ASSY.	
25	9161.046	SPRING FOR UNIT SCRAPER	
26	11003075	BLACK COFFEE CONTAINER BREW UNIT P124	
27	11003078	BLACK CONNECTING ROD FOR UNIT P124 8GR.	
28	11005920	BLACK FRONT PLATE BREW UNIT SMART S.SCR.	
29	12000897	SCREW TCB TORX 10 3,5X20 PLAST.SS	
30	129912521	SCREW TCBR TORX 10 3,5X14 PLAST.SS	
31	145857962	BLACK INSERT SEAL P124	
	11012810	BLACK BREW UNIT 8GR.V2 P124/SBS	

**Saeco**  
INTERNATIONAL GROUP

**GRUPPO CAFFE' XELSIS**

Rev. 00 - 22/09/09

TAVOLA 1/1