

GAGGIA

SUP038G

**RI9702/01-02-03-04
RI9702/05-41-47**



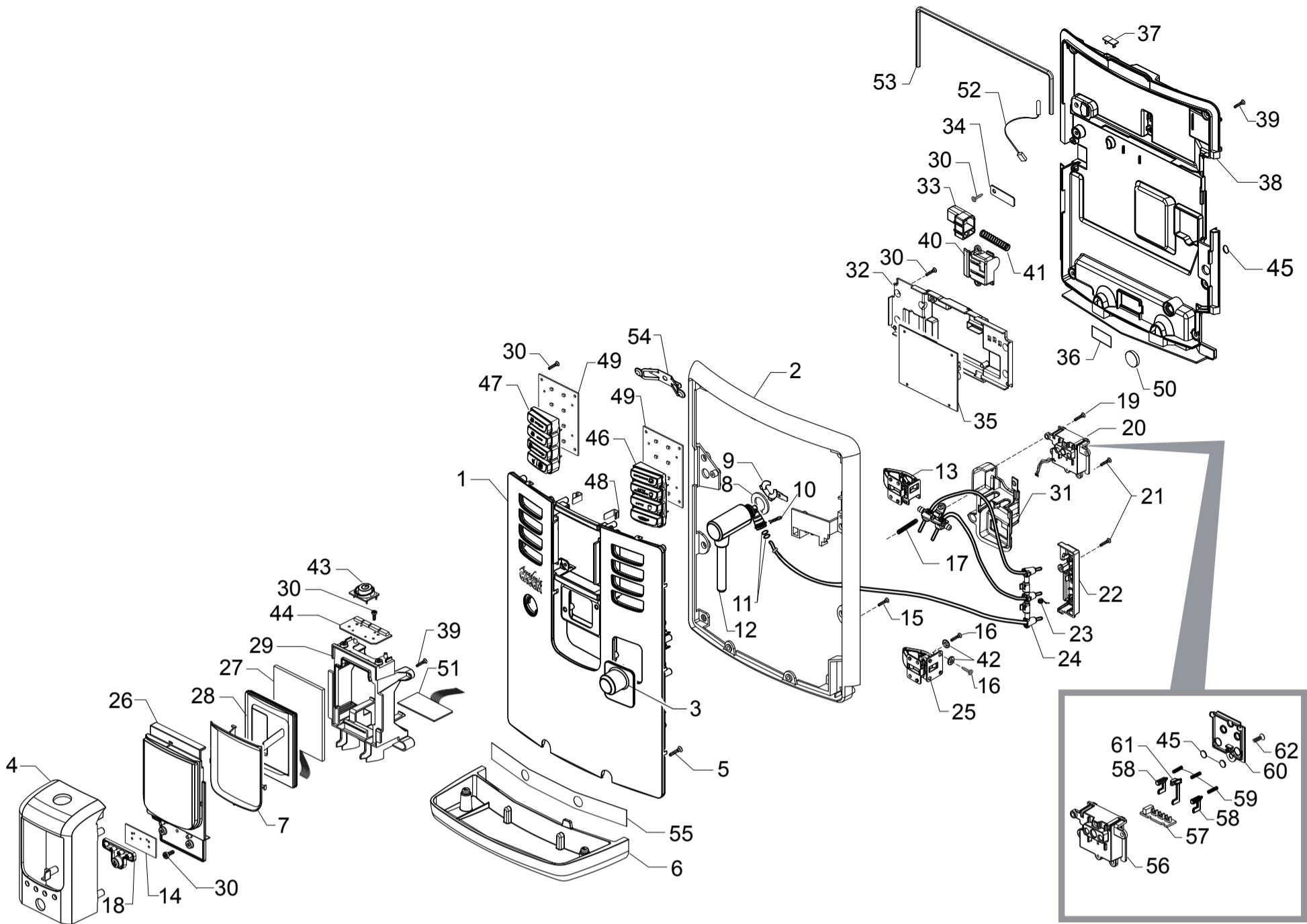
**Cod. 10003301-3742-3659-3381
Cod. 10003661-4125-3380**

POS	CODE	12NC	DESCRIPTION	NOTE	POS	CODE	12NC	DESCRIPTION	NOTE
01	15001992	996530009349	MANUAL GAG SUP038G GMYB/H D/I		22	11022822	996530007455	MATT/BLK REAR COVER CASING INS.MYB9 ASSY	
	15001993	996530009351	MANUAL GAG SUP038G GMYB/H GB/F		23	17000205	996530066735	BLACK COVER CASING W/PROTECT.V2 MYB9/H-T	
	15001994	996530009352	MANUAL GAG SUP038G GMYB/H E/P		24	11000651	996530000425	WATER LEVEL SENSOR BOARD P124	
	15001995	996530009353	MANUAL GAG SUP038G GMYB/H NL/PL		25	11014017	996530006969	BLACK HORIZONTAL MOUNTING PLATE MYB9 ASS	
	15002625	996530067833	MANUAL GAG SUP038G GMYB/H GB/CHN		26	11024263	996530067506	PWR BOARD MDS	230V
02	146680850	996530016529	BLACK COFFEE MEASURE SMART			11021342	996530007079	PWR BOARD MYB9/MDS	120V
03	127390100	996530011867	BRUSH FOR CLEANING		27	11012035	996530006299	BLACK PWR BOARD COVER MYB9	
04	11022867	996530007474	GAGGIA KLUBER TRIBOSTAR SIL 2 TUBE 5GR.		28	17000126	996530067829	BLK REAR PANEL WHIT LOGO GAGGIA V2 GMYB	
05	21001711	996530010528	ACC GAG MAVEA UNI.WAT.FILTERX1 USA		29	11023304	996530007613	PWR ELECTR.BOARD INSULATE SHEET MYB9	120V
06	0301.961	996530039604	STICKER FOR WATER HARDNESS TEST		30	11024521	996530070324	M/BLK RIGHT SIDE PANEL V2 MYB9/H-T ASSY.	
07	183911050	996530025808	BLACK POWER CABLE SCHUKO L=1200		31	11022808	996530007451	MATT/BLK FRONT COV.CASIN.INS.MYB9/H-P AS	
	183921950	996530025843	POWER CABLE SJT3 USA BLACK UL L=1200		32	11013170	996530006676	BLACK STEEL CASING MYB9 ASSY.	
	183970350	996530025882	BLACK POWER CABLE UK L=1200		33	11021769	996530007136	BLACK RIGID FOOT FIXING PIN MYB9	
	183940650	996530025872	BLACK POWER CABLE AUSTRALIA L=1200		34	11021829	996530007156	BLACK/TRANSP.RIGID FOOT MYB9	
	183930650	996530025858	POWER CABLE CH BLACK 3X1 H05VV-F L=1200		35	11022527	996530007397	BLACK DUMP BOX PROTECTION MYB9	
	11004247	996530002167	BLACK POWER CABLE RVV 3X1 CHINA L=1200		36	11013595	996530006815	BLACK DUMP BOX MYB9 ASSY.	
	17800019	996530009627	BLACK POWER CABLE BRAZIL L=1200		37	11022169	996530007247	BLK DRIP TRAY COFF.BREW UNIT COVER MYB9	
08	-	421944005541	BLK SLIM BOILER PROTECTION V2 MYB9		38	17001901	996530071992	BLACK COFFEE UNIT DRIP TRAY V2 MYB9	
09	20006919	996530067834	KIT PS-E INSERT FOR BOX GMYB		39	11013128	996530006642	40POLES FLAT CABLE BOARDS LINK MYB9 UL	
10	17000007	996530066726	COMPONENTS SUPPORT INSULATE SHEET MYB9	120V	40	11013806	996530006864	BLACK FLAT-CABLE PROTECTION MYB9	
11	13001673	996530073406	DISPLAY BOX V2 GMYB GAG ACCADEMIA		41	WGA4316031000	996530063553	ADHESIVE HEATING-ELEMENT	230V
12	12000450	996530007819	SCREW TCBR TORX 10 3,5X12 PLAST.ZN-N			11000791	996530000503	ADHESIVE HEATING-ELEMENT	120V
13	11013210	996530006691	SB/SS GROUND CONT.DOOR COVER S/S.MYB9 AS		42	11008844	996530005056	2POLES CONNECT.SUPPLY CUPWARMING G0053UL	
	11025978	996530072657	SB/SS GROUND CONT.DOOR COVER S/S.MYB9 AS						
			UP TO S/N. TU901227104140						
			FROM S/N TU901227104141						
14	11029407	996530072438	MATT/BLK WATER CONT.DOOR COV.V2 MYB9 ASS						
15	11024525	996530070325	M/BLK LEFT SIDE PANEL V2 MYB9/H-T ASSY.						
16	11022426	996530007365	SS SPRING FOR WATER CONTAINER LEVER MYB9						
17	12001263	996530008019	BLACK PUSH-PUSH MYB9						
18	11022425	996530007364	YELLOW LEVER FOR WATER CONTAIN.S/SC.MYB9						
19	17000059	996530067839	SB/SS CUP WARMING LID V2 MYB9						
			UP TO S/N. TU901227104140						
	11025965	996530072656	SB/SS CUP WARMING LID V2 MYB9						
			FROM S/N TU901227104141						
20	11029389	996530072439	MATT/BLK BEAN CONT.DOOR COV.V2 MYB9 ASSY						
21	12001330	996530008026	TRANSP.ROUND ADHESIVE FOOT SJ-5382						

GAGGIA

SUP038G

GAGGIA ACCADEMIA



GAGGIA[®]

SUP038G

**RI9702/01-02-03-04
RI9702/05-41-47**



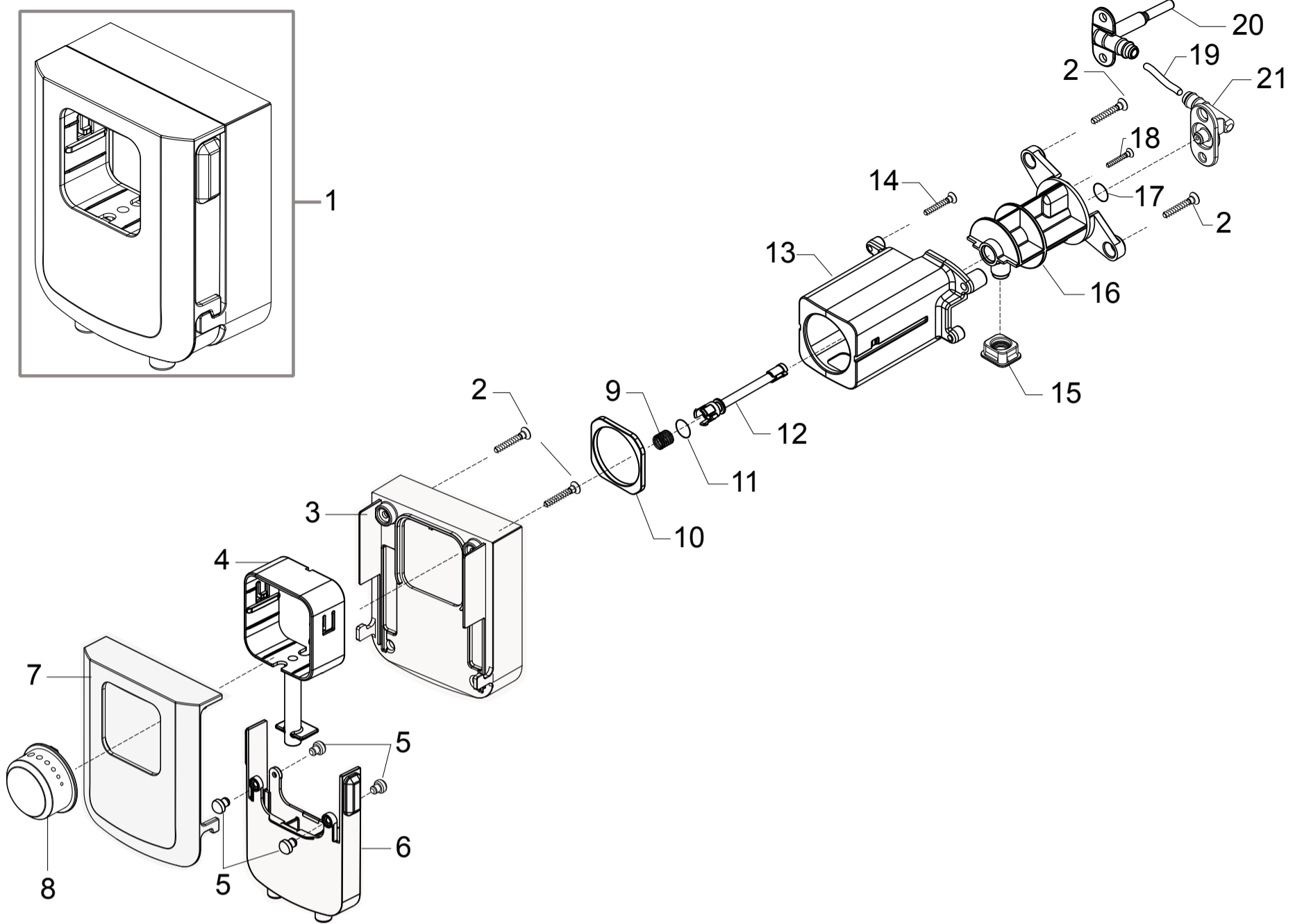
**Cod. 10003301-3742-3659-3381
Cod. 10003661-4125-3380**

POS	CODE	12NC	DESCRIPTION	NOTE	POS	CODE	12NC	DESCRIPTION	NOTE
01	11031291	996530073405	SB/SS FRONTAL PANEL V2 S/SCR.GMYB ASSY.		36	11000651	996530000425	WATER LEVEL SENSOR BOARD P124	
02	11014003	996530006966	CHROM.ZAMA FRONT FRAME GMYB		37	11001339	996530000763	TRANSP.INFRAREDS PLATE P0049	
03	11024247	996530066715	CHROM.CONNEC.CAP FOR CARAFE V2 MYB9 ASSY		38	11024065	996530067832	BLK INSIDE COVER FRONT.PANEL S/SCR.GMYB	
04	11022411	996530007358	CHROM.FRONT PANEL GMYB		39	129912521	996530013148	SCREW TCB TORX 10 3,5X14 PLAST.SS	
06	11013999	996530006963	CHROMED DRIP TRAY SUPPORT GMYB ASSY.		41	11021747	996530007128	SPRING FOR DOOR RELEASE BUTTON MYB9	
07	11023351	996530007619	BLACK DISPLAY INSERT V2 GMYB		42	128310402	996530012341	GALV.WASHER UNI 8842 A4	
08	11001624	996530000929	BLACK STEAM TUBE WASHER P0049		43	11021800	996530007151	WHITE TOUCH PANEL 1 BUTTON S/SCR.GMYB	
09	17000055	996530072431	GALVAN/STEEL FOLK SPRING W/FASTON		44	11022454	996530007375	KBD+SW STAND-BY GMYB ASSY.	
10	9011.144	996530048885	SS FORK FOR TUBE D=4		45	12001330	996530008026	TRANSP.ROUND ADHESIVE FOOT SJ-5382	
11	140328059	996530013564	OR 2015 SILICONE PTFE/FDA		46	11021333	996530007074	BLACK RIGHT BUTTONS S/SCR.GMYB ASSY.	
12	11013244	996530006708	TF/CHROM.- CHROM.STEAM TUBE MYB9 ASSY.		47	11021326	996530007069	BLACK LEFT BUTTON S/SCR.GMYB ASSY.	
13	17000106	996530009584	ZAMA DOOR UPPER HINGE V2 MYB9		48	17000023	996530009571	BRONZE FRONT FRAME SPRING GMYB	
14	11022458	996530007377	KEYBOARD MENU GMYB		49	11022457	996530007376	KEYBOARD BEVERAGE GMYB	
15	12001430	996530008051	SCREW TCB TORX 20 4X10 PLAST.SS		50	17000025	996530009573	BLACK INSIDE COVER FRONT PANEL CAP GMYB	
16	129823821	996530013079	TCB SCREW M4X8 UNI 7687 SS		51	11022508	996530007391	DISPLAY KEYBOARD GMYB	
17	17000006	996530009559	TWO WAY TEFLON TUBES SUPPORT SPRING MYB9		52	11013127	996530006641	2POLES CONNECT.SENSOR REED DOOR MYB9 UL	
18	11021789	996530007145	BLACK TOUCH PANEL 5 BUTTONS S/SCR.GMYB		53	16000890	996530067838	ADHES.TAPE ROLL 4959 W/EPDM H=5MM SP=2MM	
19	12000450	996530007819	SCREW TCB TORX 10 3,5X12 PLAST.ZN-N		54	11006740	996530003793	BRONZE SPRING FOR FRONT CASING G0053	
20	11023423	996530066676	BLK CARAFE BOARD SUPP.GEN.V2 MYB9 ASSY.		55	17000050	996530068008	DRIP TRAY SUPPORT BIADHESIVE STRIP GMYB	
21	12001431	996530008052	SCREW TCB TORX 10 3X12 PLAST.SS		56	11023238	996530007602	BLK CARAFE BOARD SUPPORT V4 MYB9 ASSY.	
22	11013784	996530006855	BLACK TEFLON TUBES SUPPORT COVER MYB9		57	11013368	996530006754	MILKCARAFE BOARD V2 MYB9	
23	11013785	996530006856	STEEL TEFLON TUBES SUPPORT SPRING MYB9		58	17000002	996530009555	BLACK CARAFE MICRO INSERT V2 MYB9	
24	11023352	996530066675	WHT PREFORM.TEFLON TUBES SUPP.MYB9 ASSY.		59	17000019	996530009566	SS CARAFE MICRO INSERT SPRING MYB9	
25	17000094	996530009581	DOOR LOWER HINGE V2 MYB9		60	11013328	996530006745	BLACK CARAFE BOARD COVER MYB9	
26	11021786	996530007143	TRANSPARENT GLASS FOR DISPLAY GMYB		61	17000045	996530009578	BLK PRESENCE CARAFE MICRO INSERT V2 MYB9	
27	12001261	996530008018	DISPLAY 320x240 NO TOUCH BRIGHTNESS+MYB9		62	12000895	996530007951	SCREW TSP TORX 10 3X10 PLAST.SS	
28	11022039	996530007216	BLACK DISPLAY SEAL GMYB						
29	11021803	996530007152	BLACK DISPLAY SUPPORT GMYB						
30	129913202	996530013156	SCREW TCB TORX 10 3X8 PLAST.ZN-B						
31	11023251	996530007606	BLACK FRONTAL PANEL INSERT MYB9						
32	11022080	996530007231	BLACK CPU BOARD COVER GMYB						
33	11014215	996530007042	BLACK BUTTON FOR DOOR RELEASE MYB9						
34	11021976	996530007207	STEEL PLATE FOR DOOR CLOSURE MYB9						
35	11022452	996530007374	CPU+SW GMYB9 ASSY.						
			UP TO S/N TU901150186483						
35	11026864	996530070323	CPU+SW GMYB SLIM ASSY.	WITH SLIM BOILER					
			FROM TO S/N TU901150186484						

GAGGIA[®]

SUP038G

GAGGIA ACCADEMIA



GAGGIA[®]

SUP038G

**RI9702/01-02-03-04
RI9702/05-41-47**



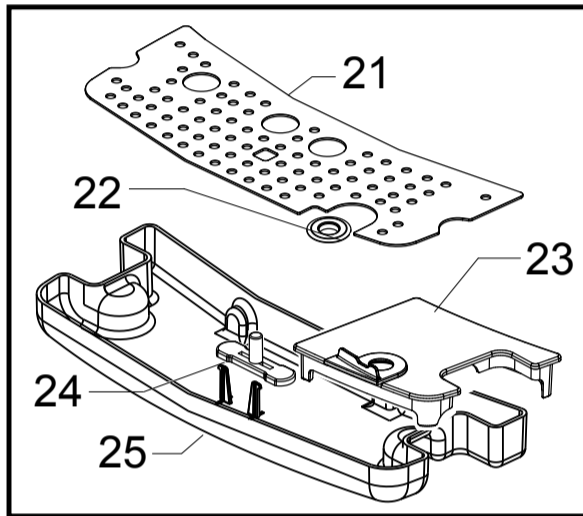
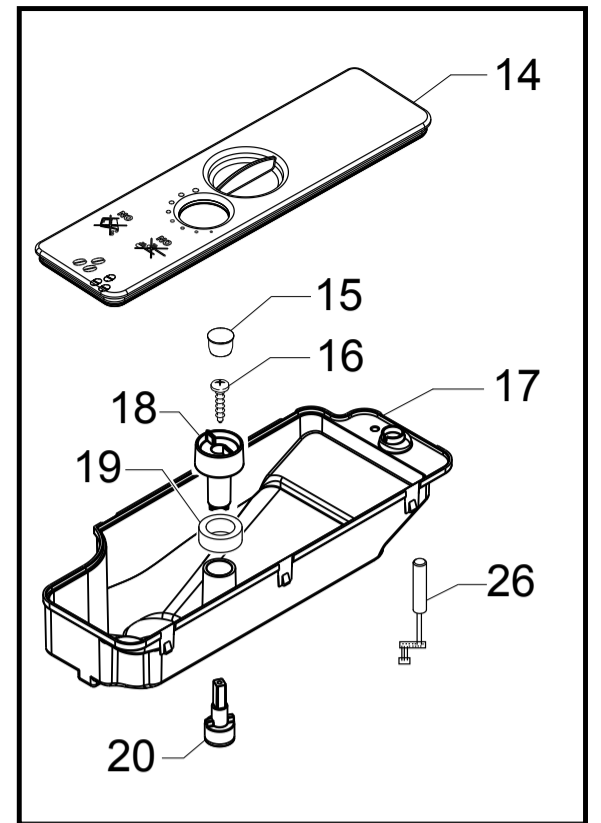
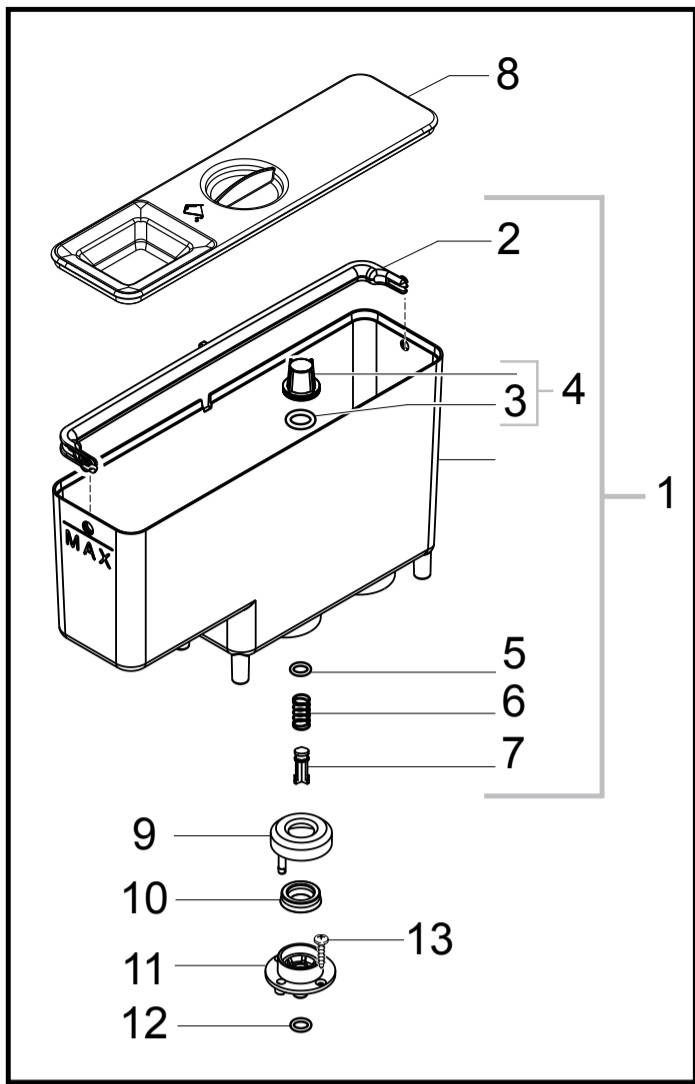
**Cod. 10003301-3742-3659-3381
Cod. 10003661-4125-3380**

POS	CODE	12NC	DESCRIPTION	NOTE	POS	CODE	12NC	DESCRIPTION	NOTE
01	11022403	996530067835	CHROM.COFFEE DISPENSER GMYB ASSY.						
02	129570721	996530012907	SCREW TCB TORX 10 M3X8 AUTOFORMING SS						
03	11022283	996530007294	CHROM.REAR COVER COFFEE DISPENSER GMYB						
04	11021746	996530007127	BLACK INNER BODY COFFEE DISPENS.GMYB						
05	11013085	996530006614	WHITE COFFEE DISPENSER SLIDER MYB9						
06	11021389	996530007097	BLACK EXT.MOBILE PART COF.DISPENSER GMYB						
07	11022402	996530007355	CHROM.FRONT COFFEE DISPENSER COVER GMYB						
08	11012736	996530006507	NAT/GREY WATER CONTAINER LID MYB9						
09	126772518	996530011711	SS COFF.CREAM ADJUSTMENT SHAFT SPRING						
10	11013324	996530006743	BLACK CREAM ADJUSTMENT KNOB RING MYB9						
11	140326661	996530013546	OR ORM 0040-20 BLACK EPDM						
12	140640200	996530013621	WHITE COFFEE CREAM ADJUSTMENT SHAFT						
13	11013323	996530006742	CHROM.COFFEE DISPENSER SUPPORT MYB9						
14	12000897	996530007953	SCREW TCB TORX 10 3,5X20 PLAST.SS						
15	11013072	996530006604	BLACK SEAL FOR COFFEE DISPENSER MYB9						
16	11013013	996530006585	BLACK COFFEE DISPENSER TUBE MYB9						
17	12000070	996530007732	OR ORM 0060-15 SILICONE						
18	12000450	996530007819	SCREW TCB TORX 10 3,5X12 PLAST.ZN-N						
19	149360200	996530018269	SILICONE TUBE 5X8 70SR	IN ROLL					
20	11021967	996530007202	BLACK DISPENSER COFF.INLET CONNECT.GMYB						
21	11021966	996530007201	BLACK COFFEE DISPENSER CONNECTOR GMYB						

GAGGIA[®]

SUP038G

GAGGIA ACCADEMIA



GAGGIA[®]

SUP038G

**RI9702/01-02-03-04
RI9702/05-41-47**



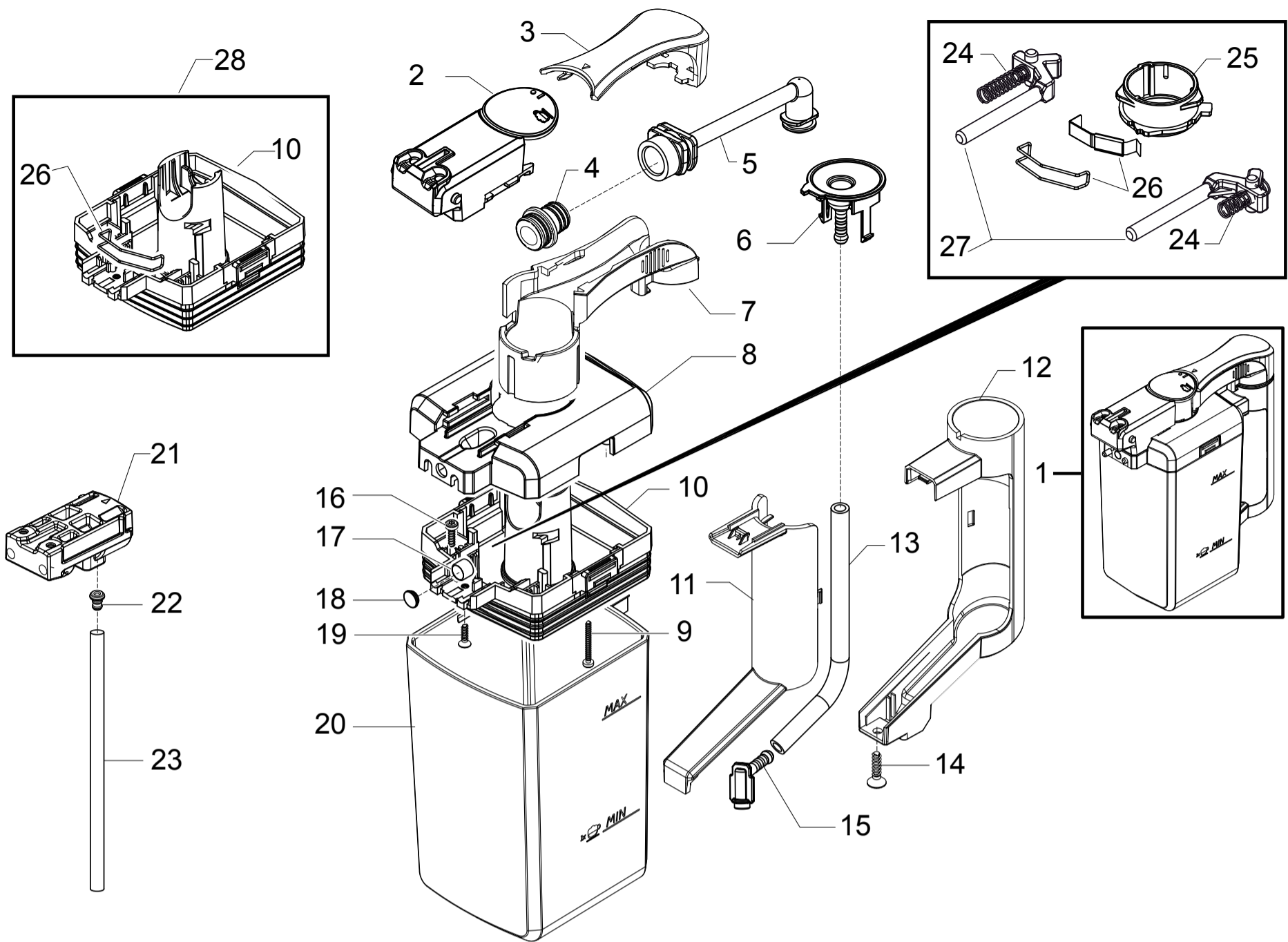
**Cod. 10003301-3742-3659-3381
Cod. 10003661-4125-3380**

POS	CODE	12NC	DESCRIPTION	NOTE	POS	CODE	12NC	DESCRIPTION	NOTE
01	11013212	996530006692	NAT/GREY WATER CONTAINER MYB9 ASSY.						
02	11012738	996530006509	BLACK HANDLE WATER CONTAINER LID MYB9						
03	140328461	996530013571	OR ORM 0190-10 EPDM						
04	224640200	996530029115	WHITE WATER CONTAINER EXT.FILTER ASSY.						
05	140324362	996530013507	OR ORM 0060-30 SILICONE						
06	126764718	996530011626	SS WATER CONTAINER VALVE SPRING						
07	147660562	996530016894	GREY PISTON FOR WATER CONTAINER VALVE						
08	11022127	996530007236	NAT/GREY WATER CONTAINER LID S/SCR.MYB9						
09	0701.031.150	996530044417	GREY WATER VALVE GACO DIM 14 SEAL COVER						
10	145842900	996530015823	NBR WATER CONT.VALVE GACO DIM14 SEAL						
11	0701.014.150	996530044404	GREY WATER VALVE GACO DIM 14 SEAL CONT.						
12	140320461	996530013446	OR ORM 0080-20 TERMOIL						
13	129535721	996530012898	SCREW TSP TORX 10 AB 3,5X9,5 SHEET SS						
14	17000202	996530066734	NAT/GREY BEAN COFF.CONT.LID V2 MYB9 ASSY						
15	149213059	996530018116	GREY CAP FOR KNOBS BEAN CONTAINER						
16	129913902	996530013164	SCREW TCB TORX 10 3X12 PLAST.ZN-B						
17	17000194	996530066733	BLACK BEAN CONTAINER V2 MYB9						
18	11012852	996530006551	BLACK GRIND.AJUSTMENT KNOB MBY9						
19	11022528	996530007398	GREY GRIND.AJUSTMENT KNOB WASHER MYB9						
20	145897300	996530016123	BLK INSERT GRIND.AJUSTMENT KNOB SMART1						
21	11013997	996530006962	BA/SS DRIP TRAY GRATE GMYB						
22	17000147	996530066732	BLACK GRATE SEAL V3 MYB9/H-P						
23	11022418	996530007361	BLACK DRIP TRAY COVER GMYB						
24	11013184	996530006683	RED FLOAT FOR DRIP TRAY XSM						
25	11021796	996530007148	BLACK DRIP TRAY GMYB						
26	17800431	996530073364	5POLES CONNECTOR MC SENSORS V3 MYB9 UL						

GAGGIA[®]

SUP038G

GAGGIA ACCADEMIA



GAGGIA®

SUP038G

**RI9702/01-02-03-04
RI9702/05-41-47**



**Cod. 10003301-3742-3659-3381
Cod. 10003661-4125-3380**

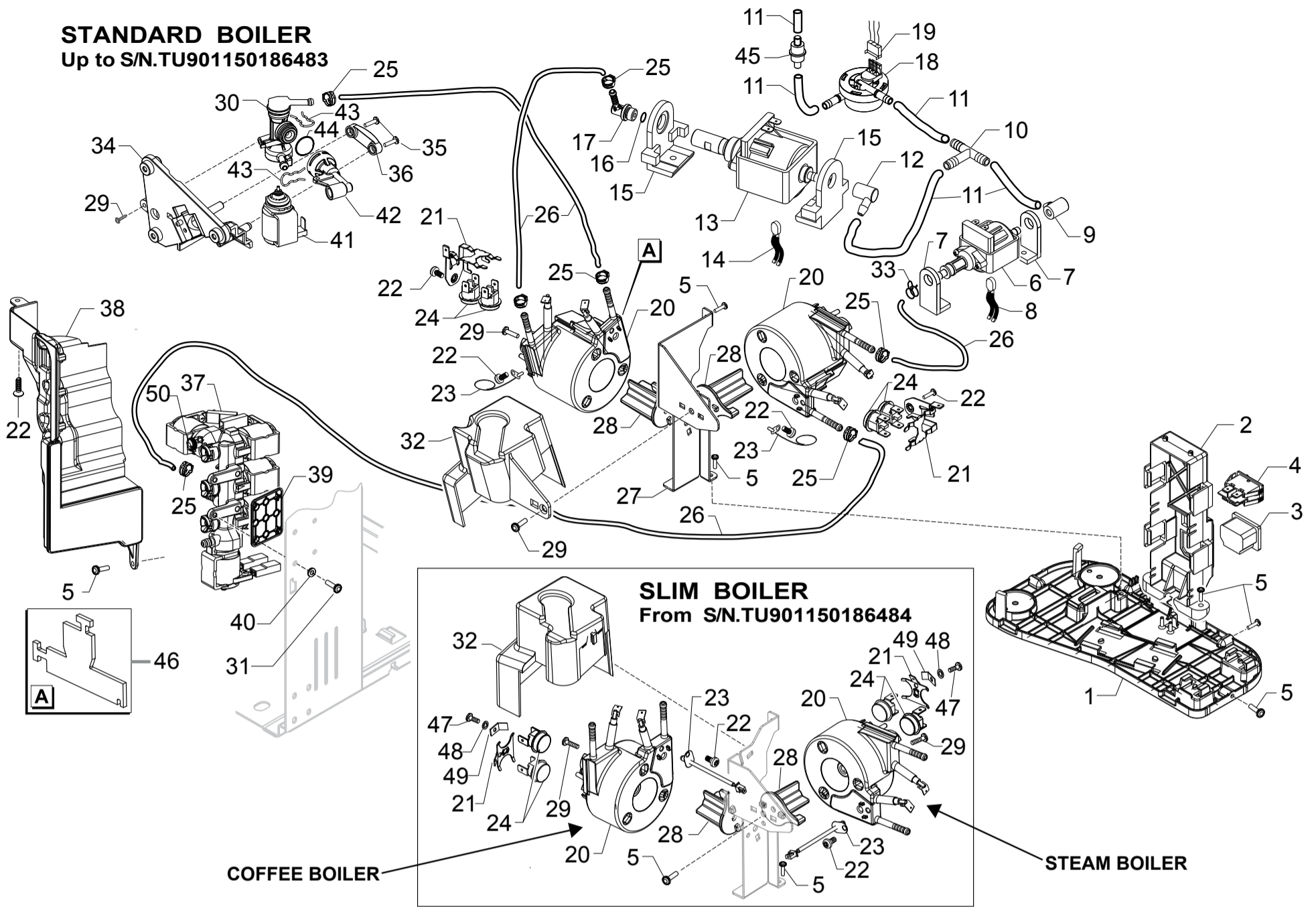
POS	CODE	12NC	DESCRIPTION	NOTE	POS	CODE	12NC	DESCRIPTION	NOTE
01	11022167	996530067831	TRANSP//CHROM.GENERAL CARAFE GMYB ASSY.						
02	11023235	996530007599	CHR.CARAFE CAPP.COVER V2 S/SC.MYB9 ASSY.						
03	11022578	996530007407	CHROM.UPPER CARAFE SUPPORT S/SCREEN GMYB						
04	11012812	996530006527	VENTURI TUBE FOR CAPPUCINATORE MYB9						
05	11022825	996530067836	BLACK CARAFE MILK DISPENSER TUBE GMYB						
06	11022408	996530007356	BLACK UPPER TUBE CARAFE CONNECT.GMYB						
07	11022576	996530007406	CHROM.CARAFE LOWER DISPENSER SUPP.GMYB						
08	11030950	996530072575	MATT/BLACK UPPER COVER PART CARAFE MYB9						
09	12000550	996530007838	SCREW TCB TORX 10 3X25 PLAST.SS						
10	11021893	996530007192	BLACK LOWER COVER PART CARAFE MYB9 ASSY.						
			UP TO S/N.9013381627776						
		421944012821	BLK LOWER COVER PART CARAFE V2 MYB9 ASSY						
			FROM S/N 9013381627777						
11	11022580	996530007409	CHROM.CARAFE REAR PART HANDLE GMYB						
12	11022579	996530007408	CHROM.CARAFE FRONT PART HANDLE GMYB						
13	149360200	996530018269	SILICONE TUBE 5X8 70SR	IN ROLL					
14	129911721	996530013137	SCREW TSP TORX 4X16 PLAST STEEL						
15	11013164	996530006669	BLACK LOWER TUBE CARAFE CONNECT.MYB9						
16	129910921	996530013128	SCREW TCB TORX 10 3X10 SS						
17	9161.111	996530050555	MAGNET FOR FLOAT SUPERAUT.						
18	11014016	996530006968	SS.INSERT FOR MAGNET MYB9						
19	12000895	996530007951	SCREW TSP TORX 10 3X10 PLAST.SS						
20	11024104	996530007705	TRANSP.CARAFE V3 S/SCREEN MYB9						
21	17000004	996530009557	BLK CARAFE CAPPUCIN.CASING W/CAPS MYB9						
22	11026779	996530067887	WHITE MILK TUBE CONNECTOR V2 MYB9						
23	11012814	996530067584	SILICONE TUBE 3,5X6 L=140 MM						
24	11013765	996530006849	STEEL SPRING FOR CARAFE LEVER MYB9						
25	11022752	996530007431	BLACK CAM FOR CARAFE LEVERS GMYB						
26	11013832	996530006873	CARAFE SPRING WITH INSERT MYB9 ASSY.						
			UP TO S/N 9013381627776 NOT AVAILABLE - ORDER PART. 28						
		421944007011	SS SPRING V2 FOR CARAFE MYB9						
			FROM S/N 9013381627777						
27	17000131	996530067459	BLACK LEVER FOR CARAFE CAM V3 MYB9						
28	-	421940813091	KIT SPARES LOW.COVER PART CARAFE V2 MYB9						

GAGGIA®

SUP038G

GAGGIA ACCADEMIA

STANDARD BOILER
Up to S/N.TU901150186483



GAGGIA[®]

SUP038G

RI9702/01-02-03-04
RI9702/05-41-47



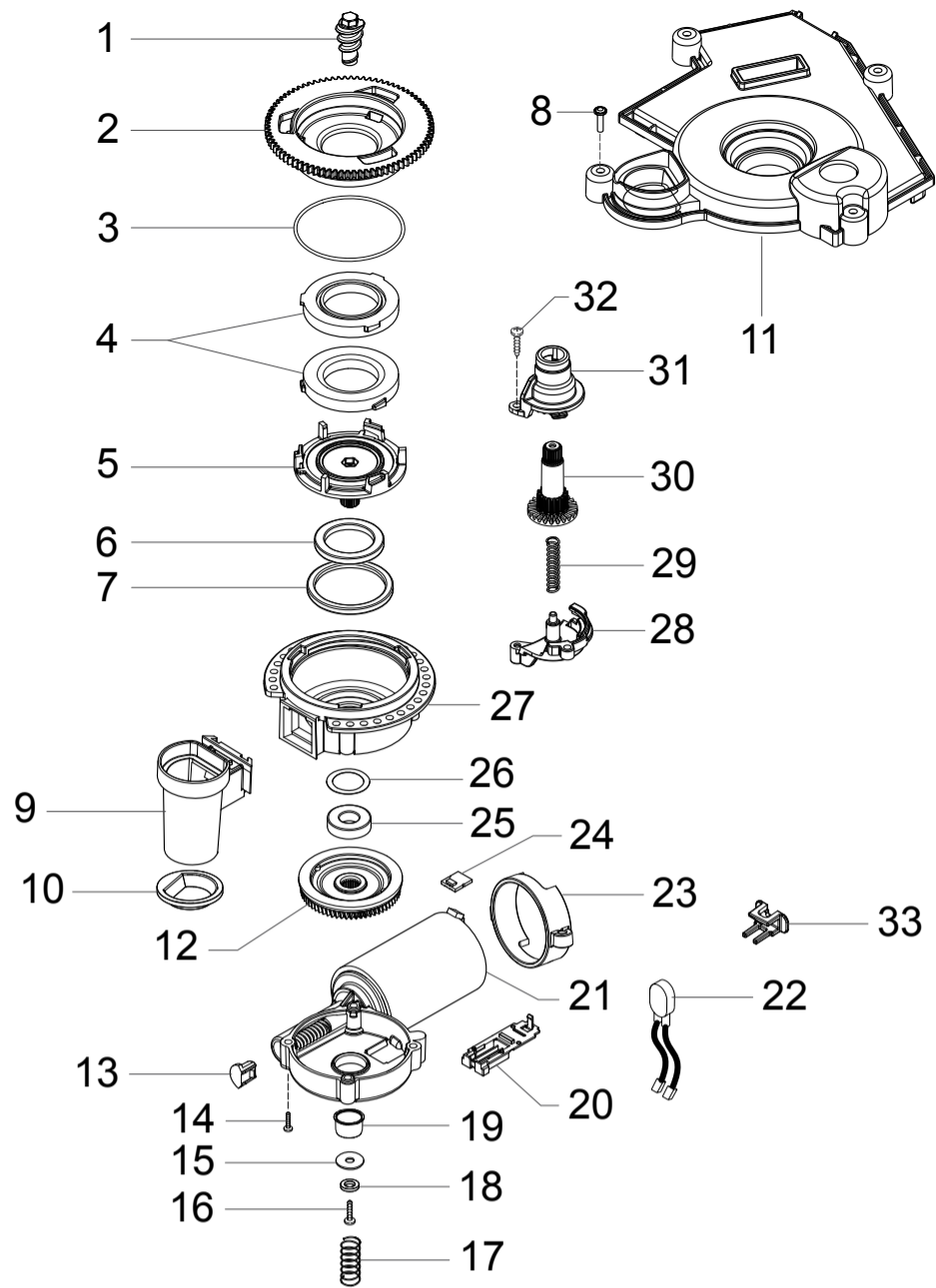
Cod. 10003301-3742-3659-3381
Cod. 10003661-4125-3380

POS	CODE	12NC	DESCRIPTION	NOTE	POS	CODE	12NC	DESCRIPTION	NOTE
01	11012205	996530006316	BLACK COMPONENTS SUPPORT MYB9		30	20006558	996530010201	BLOWDOWN VALVE CASING MYB9 ASSY.	
02	11012412	996530006399	BLACK SOCKET-SWITCH SUPPORT MYB9		31	129914302	996530013168	SCREW TORX M4X10 TESTA D=8X1,5 GALV	
	11023406	996530007626	BLACK SOCKET-SWITCH SUPPORT MYB9 UL		32	11022428	996530007366	BLK COF.BOILER INSULATING COVER MYB9/H-T	STD
03	12001883	996530072437	CUP SOCKET V3 EN 60320 C 13	SLIM		17000042	996530067913	BLK COFF.BOILER INSULATING COVER MYB9/P	SLIM
	12001645	996530069782	CUP SOCKET V2 EN 60320 C 13	STD	33	184320200	996530025907	SPRING HOSE CLAMP D=9,5MM	
04	NE03.038	996530058836	BIPOLAR SWITCH FUSIT C1250AR		34	11012206	996530006317	BLACK BLOWDOWN VALVE SUPPORT MYB9	
05	12000450	996530007819	SCREW TCB TORX 10 3,5X12 PLAST.ZN-B		35	129913902	996530013164	SCREW TCB TORX 10 3X12 PLAST.ZN-B	
06	12001212	996530008003	ULKA PUMP MF	230V-50HZ	36	11013711	996530006834	BLACK VALVE FIXING FLANGE MYB9	
	12001346	996530008028	ULKA PUMP MF	120V-60HZ	37	11013165	996530006671	DIFFUSER VALVE MYB9 ASSY.	
	12001348	996530008031	ULKA PUMP MF	220V-50/60HZ	38	11013528	996530006802	BLACK DIFFUSER PROTECT.VALVE MYB9 ASSY.	
07	11012194	996530006315	BLACK/SBR ULKA MF PUMP SUPPORT		39	11021841	996530007157	SOLENOID VALVE CONNECT.INSUL.PLATE MYB9	
08	11013116	996530006631	2POLES CONNECTOR STEAM PUMP MYB9 UL		40	11021842	996530007158	SOLENOID VALVE CONNECT.INSUL.WASHER MYB9	
09	11012193	996530006314	90° INLET CONNECTOR FOR PUMP ULKA MF		41	20000590	996530009859	BLOWDOWN VALVE COIL P0049 ASSY.	230V
10	147920300	996530017351	TRANS.CONNECTOR D=8 ART.80.26.047 KA.461			20000680	996530009874	BLOWDOWN VALVE COIL P0049 ASSY.	120V
11	JS01.022	996530057357	SILICONE TUBE 5X10 60SH	IN ROLL		20000920	996530009914	BLOWDOWN VALVE COIL P0049 ASSY	220V-60HZ
12	147920150	996530017348	90° INLET PUMP CONNECTOR		42	11007565	996530004421	BLACK BLOWDOWN VALVE CONNECTOR V2 P0049	
13	12000140	996530007753	ULKA PUMP EP5/S GW	230V-50HZ	43	11005096	996530002744	SS FORK SPRING FOR BLOWDOWN VALVE P0049	
	12000142	996530007754	ULKA PUMP EAP5/S	120V-60HZ	44	12000620	996530007856	OR ORM 0130-20 EPDM	
	12000182	996530007782	ULKA PUMP EP5/S GW	220V-60HZ	45	144650300	996530015428	ASPIRATION FILTER GAUZE NET 500 (NEW)	
14	11013076	996530006607	2POLES CONNECTOR COFFEE PUMP MYB9 UL		46	11021450	996530007104	TUB.BOILER STD C1 INSULATING	FOR 230V - 240V
15	11022857	996530007468	BLACK PUMP SUPPORT GMYB		47	129573402	996530012923	SCREW TAPT M4X10 DIN 7985 GALV	SLIM
16	140321961	996530013471	O-RING 2031 TERMOIL		48	128310402	996530012341	GALV.WASHER UNI 8842 A4	SLIM
17	11001054	996530006624	BLK PUMP OUTLET 90°CONNECTOR P0049/B		49	124390520	996530011326	BRASS BENT FASTON 45° 6,3X0,8	SLIM
18	12000781	996530007887	TURBINE D=1,2 932-8521/90 ASSY.		50	11013825	996530006868	BLACK MILK-AIR FLOW SELECTOR MYB9	
19	11013122	996530006635	6POLES CONNECTOR FLOWMETER MYB9 UL			11006995	996530003974	BLOWDOWN VALVE V2 MYB9 ASSY.	230V
20	11011341	996530006025	V4 TUB.BOILER ASSY. 1300W 230V	STD		11022038	996530007215	BLOWDOWN VALVE V2 MYB9 ASSY. WITH PART. N°30-41-42-43-44	120V
	11011342	996530006026	V4 TUB.BOILER ASSY. 1300W 120V	STD		11009776	996530005509	TUB.BOILER STD C1 ASSY 1300W 230V	STD
	11013735	996530006841	SLIM TUB.BOILER 1300W 230V ASSY.	SLIM		11009778	996530005511	TUB.BOILER STD C1 ASSY.1300W 120V WITH PART. N°20-21-22-23-24	STD
	11023153	996530007586	SLIM TUB.BOILER 1300W 120V ASSY.	SLIM		11026313	996530067955	SLIM TUB.BOIL.C2 T190°-190°1300W 230V AS	SLIM
21	11010164	996530005641	TUB.BOILER V6 SIDE THERMOS.FIXING SPRING	STD		-	421941302131	SLIM TUB.BOIL.C2 T150-204 1300W 230V ASSY FINO A MATR. TU901318072649	COFFEE BOILER
	11001751	996530000997	TUB.BOILER V3 UPPER THERM.FIXING SPRING	SLIM		-	421941302101	SLIM TUB.BOIL.C2 T170-204 1300W 230V ASSY DA MATR. TU901318072650	STEAM BOILER
22	12001715	996530069758	SCREW TCB TORX 20 M4X8 AUTOFORMING ZN-B	STD		11026314	996530069915	AS.CALD.TUB.SLIM C2 T190°-190°1300W 120V FINO A MATR. TU901318072649	SLIM
23	190800100	996530026997	TEMPERATURE SENSOR NTC UL L=280MM			-	421941302141	SLIM TUB.BOIL.C2 T150-204 1300W 120V ASSY DA MATR. TU901318072650	COFFEE BOILER
24	12001034	996530007974	THERMOSTAT ONE SHOT 175°	STD		-	421941302111	SLIM TUB.BOIL.C2 T170-204 1300W 120V ASSY DA MATR. TU901318072650	STEAM BOILER
	12001033	996530007973	THERMOSTAT ONE SHOT 190°	SLIM				WITH PART. 20-21-22-23-24-47-48-49	
	-	421940812991	KIT SPARES COFFEE BOILER THERMOSTATS FROM S/N TU901318072650	COFFEE BOILER					
	-	421940813001	KIT SPARES STEAM BOILER THERMOSTATS FROM S/N TU901318072650	STEAM BOILER					
25	12000892	996530007947	OETIKER CLAMP D=9,5 16700004						
26	16000380	996530009505	5X8,9 SILICONE TUBE	IN ROLL					
27	17000143	996530067888	STEEL SLIM TUB.BOILER SUPPORT MYB9						
28	11012214	996530006322	BLACK TUB.BOILERS SUPPORT MYB9	STD					
	11023282	996530007608	BLACK SLIM TUB.BOILERS SUPPORT MYB9	SLIM					
29	12001280	996530008024	SCREW TSP TORX 10 5X20 PLAST.ZN-B	STD					
	12001369	996530008039	SCREW TSP TORX 10 5X35 PLAST.SS	SLIM					

GAGGIA[®]

SUP038G

GAGGIA ACCADEMIA



GAGGIA[®]

SUP038G

**RI9702/01-02-03-04
RI9702/05-41-47**



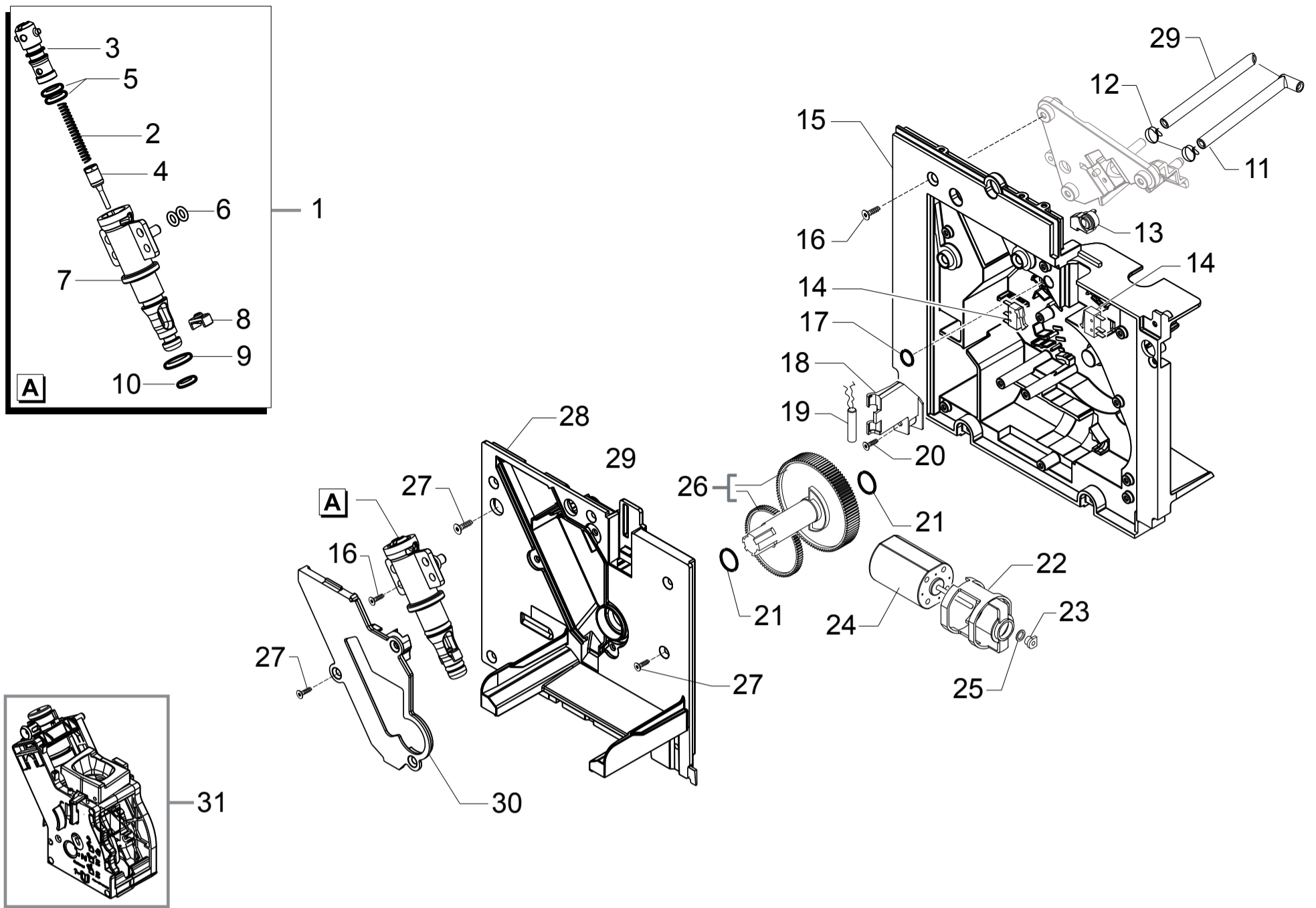
**Cod. 10003301-3742-3659-3381
Cod. 10003661-4125-3380**

POS	CODE	12NC	DESCRIPTION	NOTE	POS	CODE	12NC	DESCRIPTION	NOTE
01	11011205	996530005991	TEA ZAMA INCREASE SCREW GRINDER						
02	-	421941094152	BLK COF.GRINDER UPPER GRINDER SUPPORT V2						
03	140328960	996530013577	OR ORM 0530-15 NBR FDA						
04	146520100	996530016342	BAKED CLAY GRINDER 48X28						
05	149198350	996530017952	BLK LOWER COFFEEGRINDER GRINDER SUPPORT						
06	123030300	996530011183	AXIAL BEARING EKKO 342.35252						
07	140360500	996530013597	FELT RING 45,4X39,4X4						
08	12000450	996530007819	SCREW TCB TORX 10 3,5X12 PLAST.ZN-N						
09	11026355	996530068049	BLK GROUND COFF.OUTLET CONVEYOR V4 ASSY.						
10	11030459	996530072511	GRY GROUND COFFEE CONT.LOWER SEAL SMART1						
11	11012856	996530006555	COFFEE GRINDER SOUNDPROOFING COVER MYB9						
12	226000300	996530029609	GEAR SX Z=38 FOR GRINDER MOTION ASSY.						
13	149214800	996530018139	MC V3 MOD=1,25 WORM SCREW CENTRING CAP						
14	129661702	996530012992	SCREW TCB TORX 3,5X30 PLAST.ZN-B						
15	128381902	996530012375	STEEL FLAT WASHER DI=4,3 DE=14 SP=1,5						
16	129574802	996530012928	SCREW TCB TORX 20 M4X30 ZN-B						
17	11000597	996530000376	STEEL COF.GRINDER SUPPORT SPRING P124						
18	128310402	996530012341	GALV.WASHER UNI 8842 A4						
19	11002873	996530001389	INSULATOR BUSH FOR GRINDER MOTOR P124						
20	149199050	996530017963	BLK SENSOR SUPPORT FOR COF.GRINDER MOTOR						
21	11000513	996530000317	MOTOR COFFEEGRINDER V3.1 ASSY.	230V					
	11000511	996530000315	MOTOR COFFEEGRINDER V3.1 ASSY.	120V					
22	11013079	996530006611	2POLES CONNECTOR GRINDER MOTOR MYB9 UL						
23	11000194	996530000115	BLACK COFFEEGRINDER MOTOR SUPPORT P124						
24	181540900	996530022784	ELECTR.BOARD WITH SENSOR HAL506 SF-K						
25	123030200	996530011182	RADIAL BEARING 61900.2RS1						
26	128381800	996530012374	STEEL CRINKLE WASHER 21,8X14X0,25						
27	142905450	996530015258	BLK UPPER BODY WITH COFFEE GROUND OUTLET						
28	149199850	996530017976	LOWER GEAR SUPPORT COFFEEGRINDER SMART						
29	126772918	996530011715	SPRING FOR ADJUSTMENT GRINDING GEAR						
30	146002150	996530016264	COFFEE GRINDING ADJUSTMENT GEAR SMART						
31	149199750	996530017975	UPPER GEAR SUPPORT COFFEEGRINDER SMART						
32	129914002	996530013165	SCREW TCB TORX 10 3,5X16 PLAST.ZN-B						
33	17001921	996530072477	BLK WIRING FIX INSERT FOR GRINDER BOARD						
	11013147	996530006652	GEN.MOTOR COFFEE GRINDER MYB9 ASSY.	230V					
	11022036	996530007214	GEN.MOTOR COFFEE GRINDER MYB9 ASSY.	120V					

GAGGIA[®]

SUP038G

GAGGIA ACCADEMIA



GAGGIA[®]

SUP038G

**RI9702/01-02-03-04
RI9702/05-41-47**



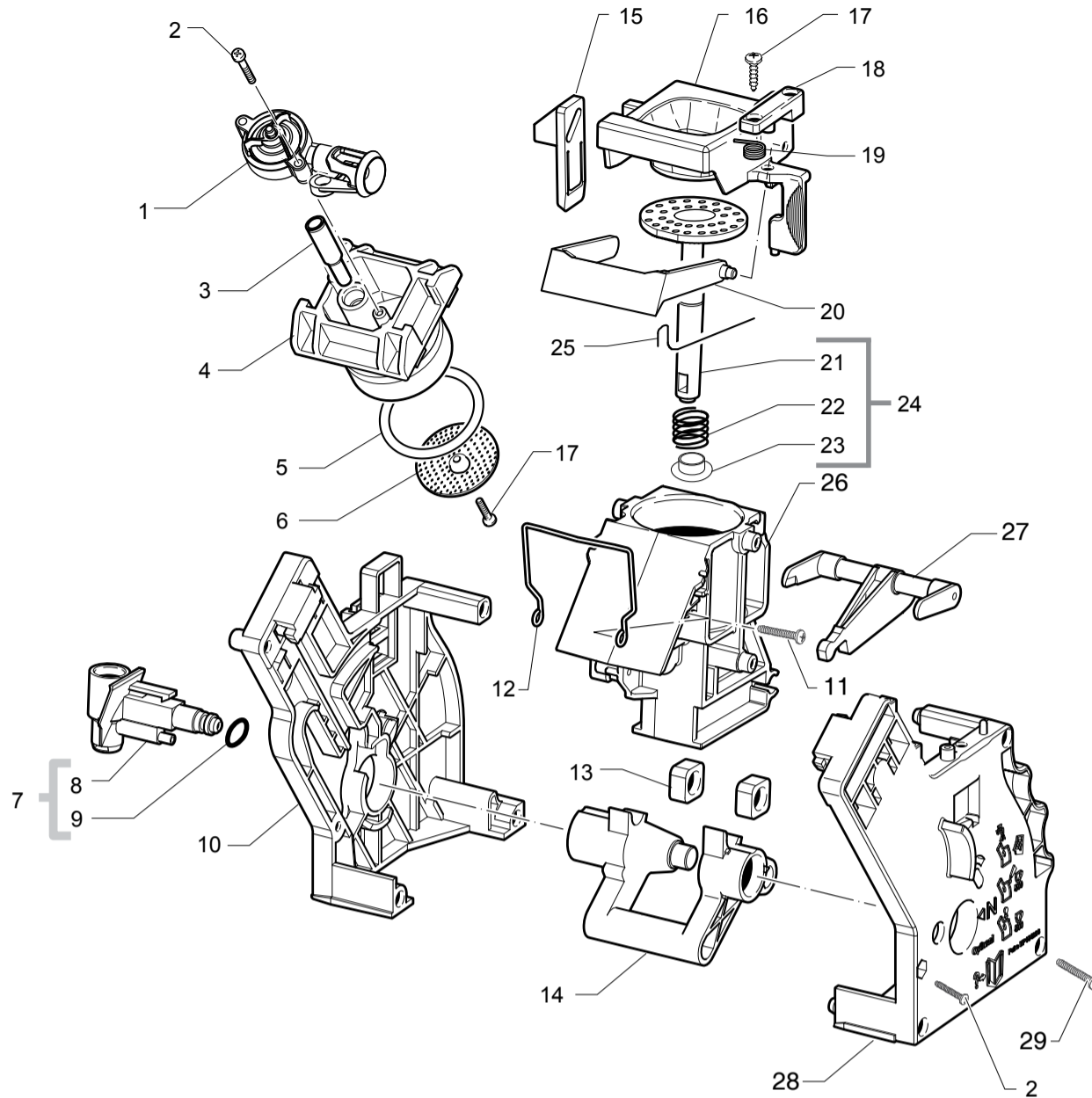
**Cod. 10003301-3742-3659-3381
Cod. 10003661-4125-3380**

POS	CODE	12NC	DESCRIPTION	NOTE	POS	CODE	12NC	DESCRIPTION	NOTE
01	11005060	996530002717	PIN V2 FOR BOILER P119 ASSY.						
02	9011.132	996530048874	SS SPRING FOR PIN						
03	11003820	996530001932	BLACK CAP V2 FOR PIN BOILER P119						
04	11009019	996530005183	TEA/BRASS PISTON L=20,9 ASSY.						
05	140324459	996530013508	OR ORM 0060-20 SILICONE PTFE/FDA						
06	140328059	996530013564	OR 2015 SILICONE PTFE/FDA						
07	11003801	996530001926	NAT.PIN V2 FOR BOILER P119						
08	11005099	996530002747	NATURAL CURSOR V2 FOR BOILER P119						
09	NM01.035	996530059399	OR ORM 0090-20 SILICONE						
10	NM01.057	996530059419	OR ORM 0050-20 IN SILICONE						
11	11012337	996530006375	WATER DRAIN CONNECTOR MYB9						
12	NV99.087	996530059836	BAND D=11/11,6						
13	11013514	996530006796	BLACK MOUNTING PLATE COVER SEAL MYB9						
14	NE05.038	996530058869	MICROSWITCH SAIA XCG5-81-P5						
15	11030108	996530072933	BLK MOUNTING PLATE WITH PIN V2 P119 ASSY						
16	12000450	996530007819	SCREW TCB TORX 10 3,5X12 PLAST.ZN-N						
17	140325462	996530013526	OR ORM 0070-20 SILICONE						
18	11012976	996530006577	BLACK SENSOR SUPPORT MYB9 UP TO S/N TU901236137717						
19	11003661	996530001819	REED SENSOR MK3-1A66-BV16451						
20	129913902	996530013164	SCREW TCB TORX 10 3X12 PLAST.ZN-B UP TO S/N TU901236137717						
21	9161.132	996530050569	MYLAR WASHER FOR RATIOMOTOR						
22	9121.044	996530049896	ANTIVIBRATION FOR MOTOR						
23	9121.046	996530049898	BRONZE SINTERED BUSH FOR MOTOR RATIOMOT.						
24	11005214	996530002796	MOTOR FOR RATIOMOTOR P124 ASSY.						
25	148380200	996530017424	BAKELIZZATE WASHER D=5,5						
26	20000900	996530009913	SPARES KIT GEARS FOR RATIOMOTOR V2						
27	12001860	996530072411	SCREW TSP TORX 10 3,5X14 PLAST.SS						
28	11013513	996530006795	BLACK MOUNTING PLATE COVER MYB9						
29	JS01.022	996530057357	SILICONE TUBE 5X10 60SH	IN ROLL					
30	142856550	996530015064	BLACK COVER FOR BOILER VAIN P119						
31	11012810	996530006525	BLACK BREW UNIT 8GR.SBS MYB9						

GAGGIA[®]

SUP038G

GAGGIA ACCADEMIA



GAGGIA®

SUP038G

**RI9702/01-02-03-04
RI9702/05-41-47**



**Cod. 10003301-3742-3659-3381
Cod. 10003661-4125-3380**

POS	CODE	12NC	DESCRIPTION	NOTE	POS	CODE	12NC	DESCRIPTION	NOTE
01	11002154	996530001192	SBS VALVE P124 ASSY.						
02	12000550	996530007838	SCREW TCB TORX 10 3X25 PLAST.SS						
03	11009276	996530005372	BLK COUNTER PISTON TUBE BREW UNIT S0053						
04	11001840	996530001046	BLACK COUNTER PISTON BREW UNIT 8GR.P124						
05	NM01.044	996530059406	OR ORM 0320-40 SILICONE PTFE/FDA						
06	9161.268	996530050709	PERCOLATOR DE=35,8 ELFO						
07	20000440	996530009825	BLACK WATER INLET SLEEVE BREW UNIT ASSY.						
08	9161.064.050	996530050488	BLACK WATER INLET SLEEVE BREW UNIT ROYAL						
09	NM02.007	996530059441	OR 2025 IN TERMOIL						
10	9161.375.050	996530050832	BLACK BREW UNIT REAR PLATE SMART						
11	129912521	996530013148	SCREW TCBR TORX 10 3,5X14 PLAST.SS						
12	11001556	996530000898	SS BREW UNIT SPRING H=49 SMART						
13	9161.094.050	996530050539	BLACK BREW UNIT DRILLED BLOCK						
14	9161.066.050	996530050492	BLACK BREW UNIT ELBOW SHAFT M5000						
15	9161.373.050	996530050827	BLACK BREW UNIT COUPLING PLATE SMART						
16	149261350	996530018241	BLACK HOPPER DOSER BREW UNIT SMART1						
17	12000895	996530007951	SCREW TSP TORX 10 3X10 PLAST.SS						
18	9161.374.050	996530050829	BLK BREWUNIT HOPPER BLOCKING PLATE SMART						
19	9161.378	996530050838	SS HOPPER SPRING FOR BREW UNIT SMART						
20	11004161	996530002096	BLACK SCRAPER FOR BREW UNIT M5000						
21	11003077	996530001451	BLK BREW UNIT INTEGRAL PISTON 8GR.ASSY.						
22	9161.198	996530050627	SS.8GR.BREW UNIT PISTON SPRING						
23	9161.191	996530050618	WHITE 8GR.-12GR.BREW UNIT PISTON BUSH						
24	11023086	996530007577	BLK 8GR.BREW UNIT NTEGR.PISTON GEN.ASSY.						
25	9161.046	996530050455	SS SCRAPER SPRING FOR BREW UNIT						
26	11003075	996530001448	BLACK COFFEE CONTAINER BREW UNIT P124						
27	11003078	996530001452	BLACK CONNECTING ROD BREW UNIT 8GR.						
28	11005920	996530003228	BLACK BREW UNIT FRONT PLATE S/SCR.SMART						
29	12000897	996530007953	SCREW TCB TORX 10 3,5X20 PLAST.SS						
	11012810	996530006525	BLACK BREW UNIT 8GR.SBS MYB9						

GAGGIA®

SUP038G

GAGGIA ACCADEMIA