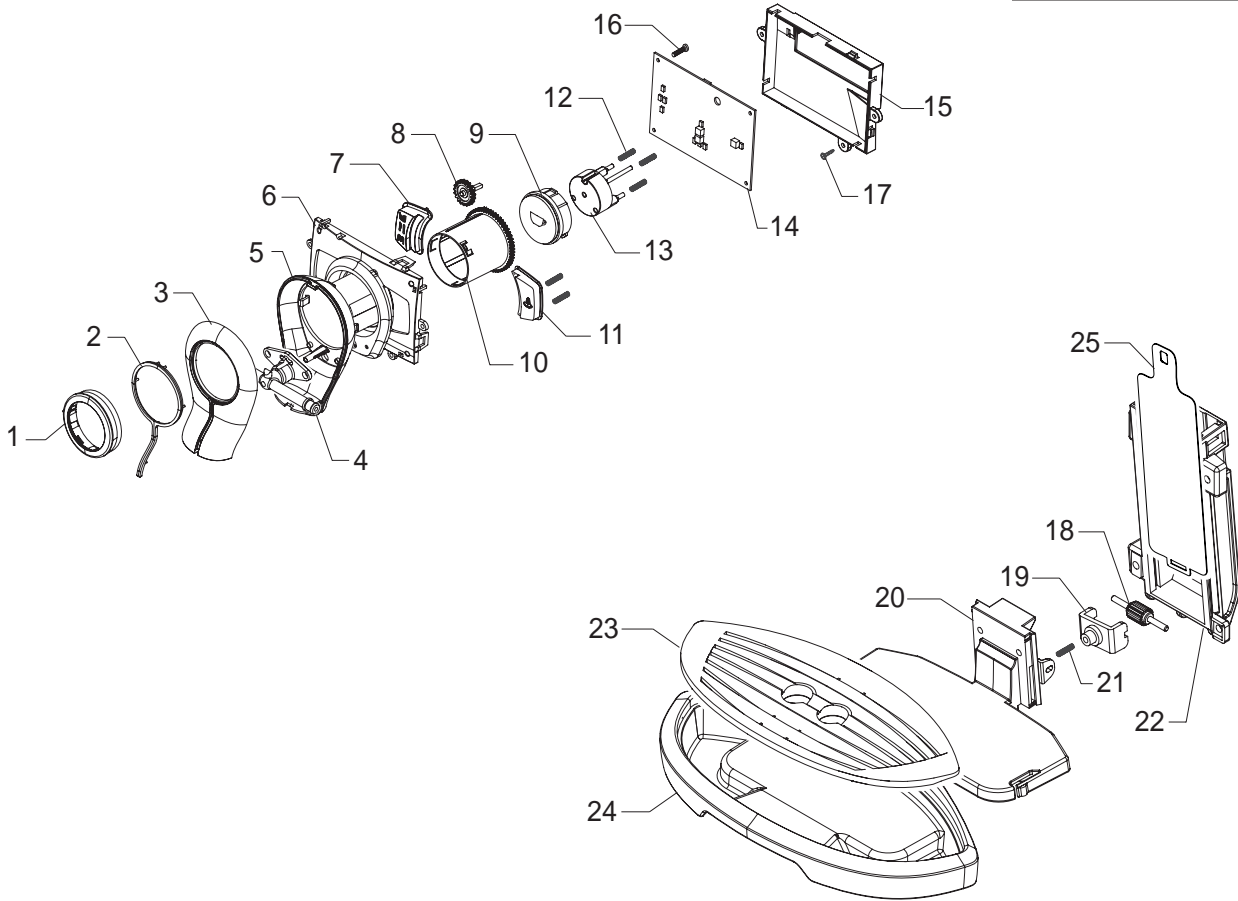


Saeco SUP0310
INTERNATIONAL GROUP



Cod.10003401
Cod.10003674

POS	CODE	DESCRIPTION	NOTE	POS	CODE	DESCRIPTION	NOTE
01	15002181	MANUAL V4 SAE P0049/A SUP0310 D/I		35	11001340	BLACK DOOR PIN P0049	
	15002182	MANUAL V4 SAE P0049/A SUP0310 GB/F		36	11023702	TXT/BLACK DOOR P0049	
	15002183	MANUAL V4 SAE P0049/A SUP0310 E/P		37	11001091	BLACK INSIDE COVER DOOR P0049	
	15002184	MANUAL V4 SAE P0049/A SUP0310 NL/PL		38	11023689	TXT/BLACK ON-OFF BUTTON INSERT P0049	
02	11003889	2POLES CONNECTOR SENSOR REED DOOR P0049		39	11011129	SPECCHIATO ON-OFF SWITCH BUTTON P0049	
03	11003785	BLACK GRINDER ADJUSTMENT KEY P0049		40	129913202	SCREW TCB TORX 10 3X8 PLAST.ZN-B	
04	183911050	BLACK POWER CABLE SCHUKO L=1200MM		41	11001339	TRANSPARENT INFRAREDS PLATE P0049	
	183930650	PO.CABL.CH BLACK 3X1 H05VV-F L=1200		42	NF11.084	PHOSPH/STEEL FOLK SPRING	
	183921950	POWER CABLE SJT3 USA BLACK UL L=1200		43	11001624	STEAM TUBE WASHER P0049	
05	13000859	PS-E UPPER INSERT V3 FOR BOX P0049		44	11005287	BLACK BUSH FOR STEAM KNOB	
06	13000858	PS-E LOWER INSERT V3 FOR BOX P0049		45	11003154	BLACK REED SENSOR SUPPORT P0049	
07	13001180	DISPLAY BOX P0049 SAECO BLACK LINE		46	11005044	SAECO KLUBER TRIBOSTAR SIL 2 TUBE 5GR.	
08	11001746	NATUR/GREY WATER CONTAINER P0049 ASSY.		47	129661702	SCREW TCB TORX 3,5X30 PLAST.ZN-B	
09	224640200	EXTERNAL FILTER FOR WATER CONTAINER ASSY.	WITH PART. N° 10	48	11006567	LOWER INSULATE SHEET PWR ELE.BOARD P0053	(ONLY FOR 120V)
10	140328461	EPDM OR METRIC O190-10		49	11007234	UPPER INSULATE SHEET PWR ELE.BOARD P0053	(ONLY FOR 120V)
11	11003672	SPRING FOR WATER CONTAINER VALVE P0049					
12	11003673	GREY WATER CONTAINER VALVE INSERT P0049					
13	11003671	TRANSP.VALVE FOR WATER CONTAINER P0049					
14	11001298	BLACK LID FOR DUCKBILL VALVE P0049					
15	11001308	NATURAL/GREY WATER CONTAINER LID P0049					
16	11004687	MOUNTING PLATE WITH PIN P0049 PP+T ASSY.					
	11009301	MOUNTING PLATE WITH PIN P0049 UL ASSY.					
17	11000223	BLACK WHEEL FOR CASING BOTTOM P124					
18	11023663	GLOSS/BLACK CASING COVER V3 P0049					
19	11010717	SPECCHIATO WATER-STEAM KNOB P0049					
20	11004142	SILVER PLATE LOGO SAECO NEW P0049/P0053					
21	11023643	BLK PLATE W/LOGO "BLACK" S/SCR.GO					
22	11023667	TXT/BLACK RIGHT SIDE CASING P0049					
23	11023668	TXT/BLACK LEFT SIDE CASING P0049					
24	11003533	BLACK DUMP BOX P0049 ASSY.					
25	11023669	TXT/BLACK DRIP TRAY COFFEE UNIT P0049					
26	12000280	CUP SOCKET EN 60320 C 13					
27	11007060	GENERAL SWITCH FOR P124					
28	11023728	TXT/BLACK WATER TANK OUTLET COVER P0049					
29	11011355	TRANSPAR.BEAN CONTAINER V2 P0049					
30	11001762	NATUR/GREY BEAN COFF.CONT.LID P0049 ASSY					
31	11009191	BLACK POWER BOARD PROTECTION V2 P0049					
32	11022788	PWR BOARD V2 P0053	230V				
	11003968	PWR BOARD P0049/P0053	120V				
33	9161.111	MAGNET FOR FLOAT SUPERAUTOM.					
34	11008956	SS SPRING FOR LOCK DOOR G0053					

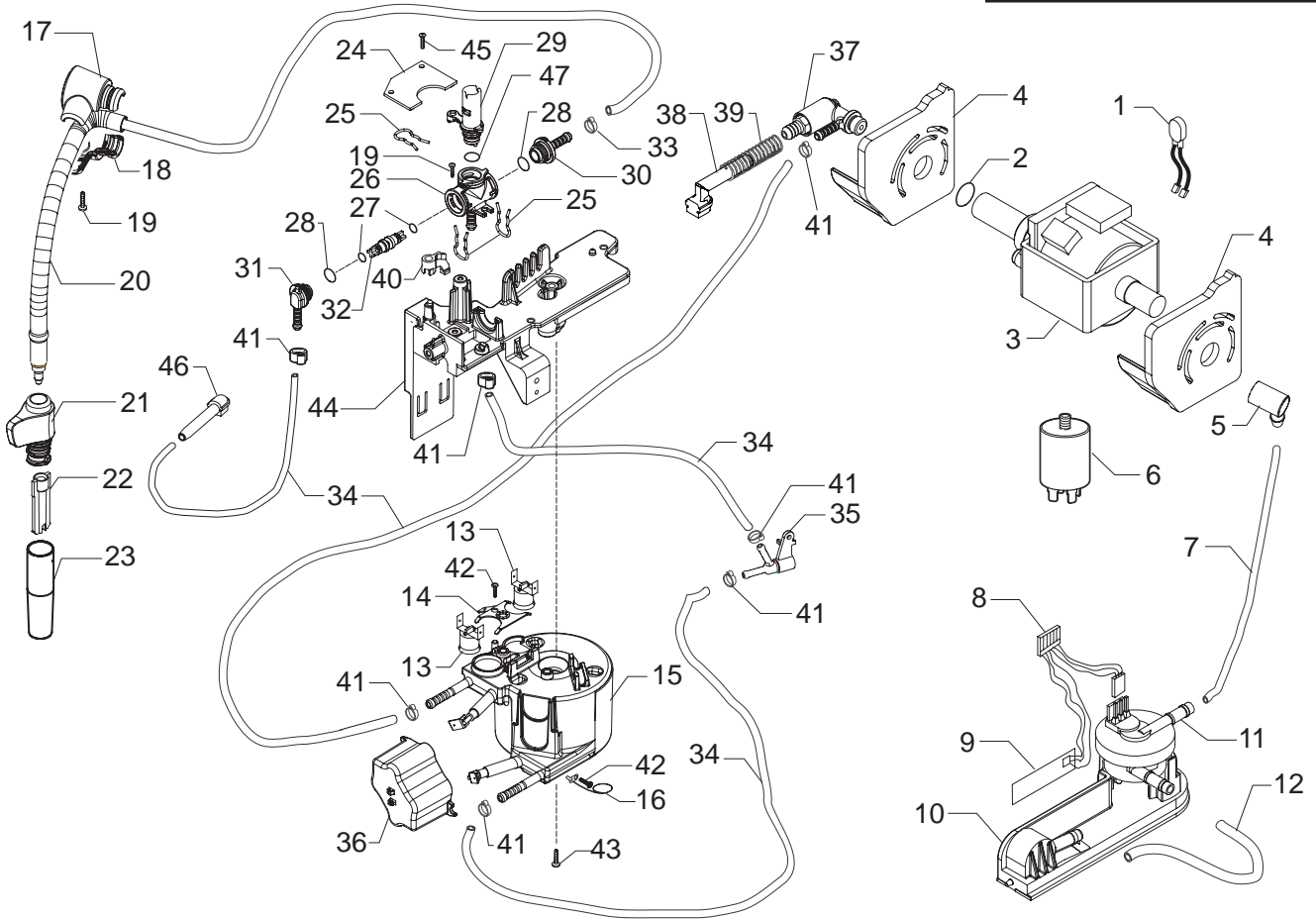


Saeco SUP0310
INTERNATIONAL GROUP



Cod.10003401
Cod.10003674

POS	CODE	DESCRIPTION	NOTE	POS	CODE	DESCRIPTION	NOTE
01	11011220	SPECCHIATO HEIGHT REGULATION NUT P0049					
02	11023221	BLACK COFFEE DISPENSER LENS P0049					
03	11011223	SPECCH.FRONT COF.DISPENSER COVER P0049					
04	11001772	BLACK INNER CASING COFF.DISPENSER P0049					
05	11011221	SPECCHIAT.REAR COF.DISPENSER COVER P0049					
06	11011224	SPECCHIATO SUPPORT ELECTR.CARD P0049					
07	11001351	BLACK BUTTON FOR ALLARMS P0049					
08	11001320	BLACK GEAR Z=19 FOR P0049					
09	11004388	CARBONA COFFEE BUTTON P0049/A S.SCREEN					
10	11001314	BLACK SUPPORT FOR RING NUT P0049					
11	11001353	BLACK STEAM BUTTON P0049					
12	11001363	SPRING FOR BUTTONS P0049					
13	11001334	BLACK COFFEE BUTTON SPACER P0049/A					
14	20006860	KIT SPARES CPU+SW V3 P0049 ASSY.230V	(SLIM BOILER)				
	20003340	KIT SPARES CPU+SW V2 P0049 ASSY.120V	(STANDARD BOILER)				
15	11001299	BLACK SUPPORT ELECTR.CARD CPU P0049.					
16	129913202	SCREW TCB TORX 10 3X8 PLAST.ZN-B					
17	12000450	SCREW TCB TORX 10 3.5X12 PLAST.ZN-N					
18	11001758	PIN WITH BLACK INSERT ASSY.P0049					
19	11001335	BLACK PIN INSERT FOR DRIP TRAY P0049					
20	11001295	BLACK DRIP TRAY SUPPORT P0049					
21	11001364	MOVE DRIP TRAY SPRING P0049					
22	11001294	BLACK DRIP TRAY GUIDE P0049					
23	11011128	SPECCHIATO GRATE FOR DRIP TRAY P0049					
24	11023656	TXT/BLACK DRIP TRAY P0049					
25	11023580	BLACK DRIP TRAY PROTECTION V2 P0049					



SUP0310

230V STANDARD BOILER



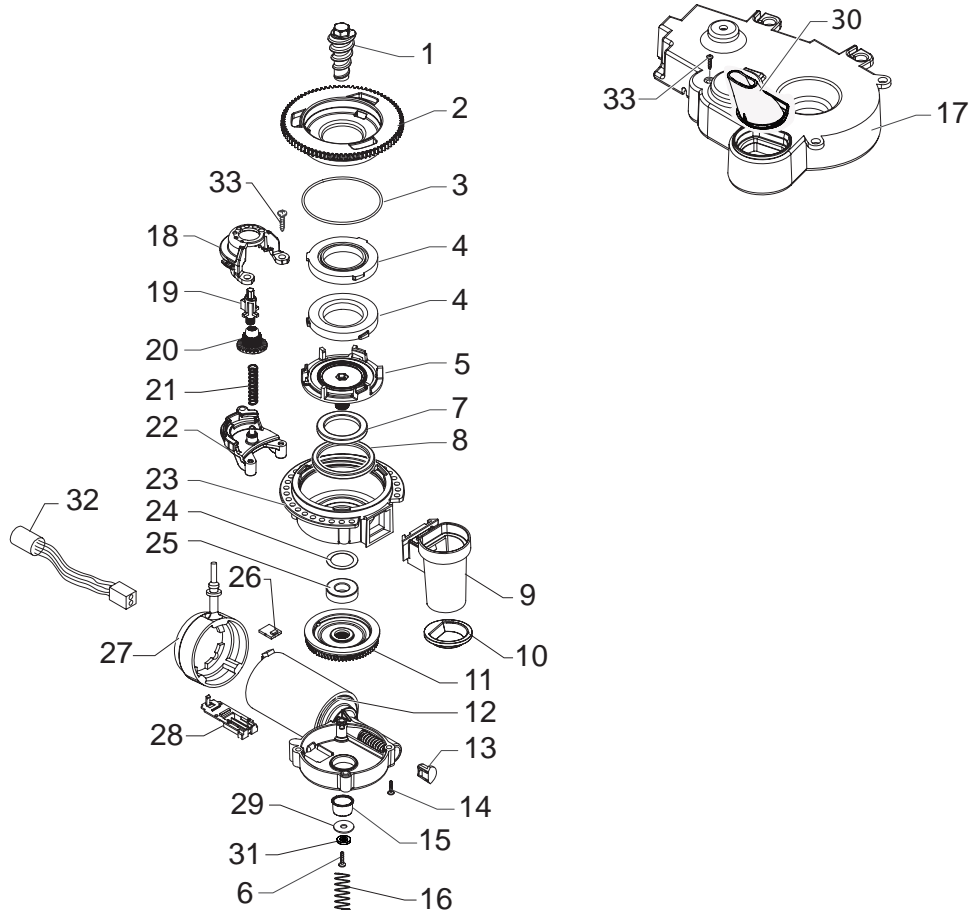
Cod.10003401
Cod.10003674

POS	CODE	DESCRIPTION	NOTE	POS	CODE	DESCRIPTION	NOTE
01	11005668	2POLES CONNECTOR PUMP P0049 UL	120V	42	129573202	SCREW TCB TORX 20 M4X8 AUTOFORMING ZN-B	
02	140321961	OR 2031 IN TERMOIL		43	129932502	SCREW TSP 5X30 PLAST.ZN-B	
03	12000142	ULKA PUMP EAP5/S	120V-60HZ	44	11001332	BLACK BOILER-FAUCET-VALVE SUPPORT P0049	
04	11006296	BLACK PUMP SUPPORT P0049 ASSY.		45	129913202	SCREW TCB TORX 10 3X8 PLAST.ZN-B	
05	147920150	90° INLET PUMP CONNECTOR		46	11001630	BLK MILK ISLAND DESCARGING WATER CONNECT	
06	12000007	QUICK-LOCK ANTIDISTURB FILTER 16A	120V	47	12001615	OR 2025 IN EPDM PEROX.FDA 70 SH	
07	149360200	SILICONE TUBE 5X8 70SR 25 MT	IN ROLL				
08	11005648	6 POLES CONNECT.LEVEL+FLOWMETER P0049 UL	120V		11025775	TEA/BRASS FAUCET V2 P0049-P0053 ASSY. WITH PART. N°25-26-27-28-29-30-31-32-47	
09	11000651	WATER LEVEL SENSOR BOARD P124			11005774	TUB.BOILER P0049/A 120V ASSY.	COMPLETO
10	11003670	BLACK TURBINE SUPPORT V2 P0049					
11	12000781	TURBINE D=1,2 932-8521/90 ASSY.					
12	JS01.022	SILICONE TUBE 5X10 60SH	IN ROLL				
13	12001034	THERMOSTAT ONE SHOT 175°					
14	11001751	TUB.BOILER V3 UPPER THERMOSTATES SPRING					
15	11011342	V4 TUB.BOILER ASSY	120V-1300W				
16	190800100	TEMPERATURE SENSOR NTC UL L=280MM					
17	11004196	CHROM.UPPER STEAM TUBE COVER P0049					
18	11004197	CHROM.LOWER STEAM TUBE COVER P0049					
19	129913902	SCREW TCB TORX 10 3X12 PLAST.ZN-B					
20	11022486	TF/CHROM.STEAM TUBE V2 P0049/P0053 ASSY.					
21	11001625	BLACK STEAM TUBE HANDGRIP P0049					
22	11001620	BLACK PANNARELLO INNER TUBE P0049					
23	11001769	BLACK PANNARELLO COVER P0049					
24	11007569	FAUCET ELECTRONIC CARD G0053 ASSY.					
25	11001499	SS FAUCET FORK SPRING P0049					
26	11004625	TEA/BRASS FAUCET CASING P0049					
27	12001614	OR 2012 IN EPDM PEROX.FDA 70 SH					
28	12001613	OR 108 IN EPDM PEROX.FDA 70 SH					
29	11025776	PLAST/BRASS FAUCET SHAFT V2 P0049 ASSY.					
30	11001546	BLACK FAUCET STRAIGHT CONNECTOR P0049					
31	11001544	BLACK FAUCET CONNECTOR P0049					
32	11004134	TEA/BRASS FAUCET SHAFT P0049					
33	NF11.052	OETIKER CLIP					
34	16000380	5X8,9 SILICONE TUBE	IN ROLL				
35	11001330	BLACK CONNECTOR FOR PIN BOILER P0049					
36	11005284	BLACKBOILER CONNECTORS COVER P0049/P0053					
37	11010166	PLAST-TEA/BR.SAFETY VALVE 16-18 BAR ASSY					
38	11001629	BLK PUMP WATER DESCARGING CONNECT.P0049					
39	11005003	SS DESCARGING WATER CONNECT.SPRING P0049					
40	11008876	BLK BRASS FAUCET BLOCK INSERT P0049/A					
41	12000892	OETIKER CLAMP D=9,5 16700004					



BLACK GO

TABLE 4/6

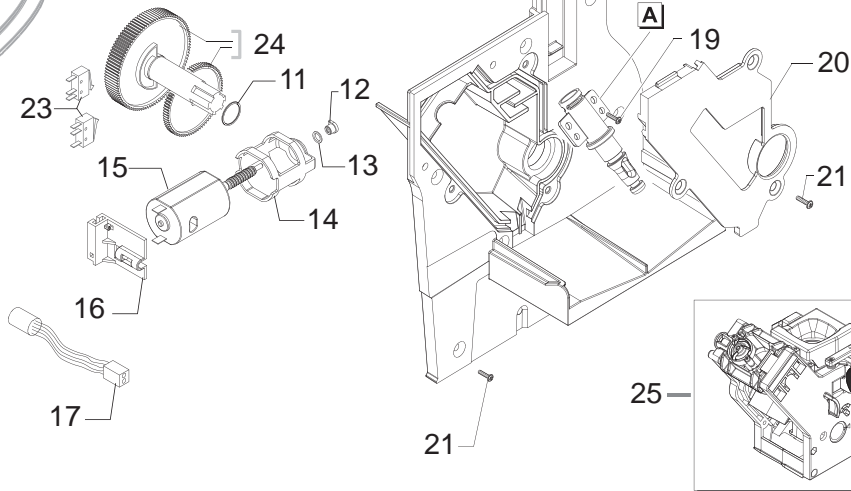
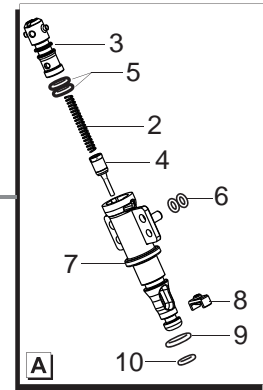
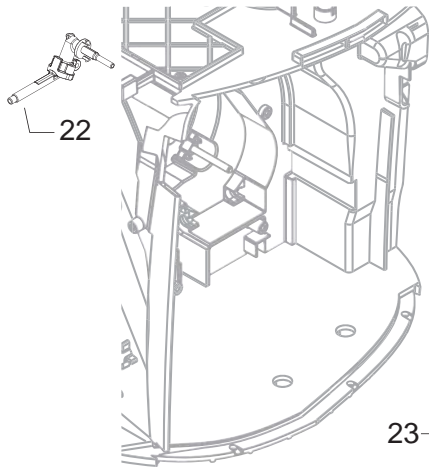


Saeco SUP0310
INTERNATIONAL GROUP



Cod.10003401
Cod.10003674

POS	CODE	DESCRIPTION	NOTE	POS	CODE	DESCRIPTION	NOTE
01	11011205	TEA ZAMA INCREASE SCREW GRINDER					
02	149198250	UPPER GRINDER SUPPORT COFFEEGRINDER					
03	140328960	NBR FDA OR METRIC 0530-15					
04	146520100	BAKED CLAY GRINDER 48X28					
05	149198350	LOWER GRINDER SUPPORT COFFEEGRINDER					
06	129574802	SCREW TCB TORX 20 M4X30 ZN-B					
07	123030300	AXIAL BEARING EKKO 342.35252					
08	140360500	FELT RING 45,4X39,4X4					
09	11026354	BLK GROUND COF. OUTLET CONVEYOR V4 SMART1					
10	145854462	GROUND COFFEE CONT. SEAL LOWER SMART1					
11	226000300	GEAR SX Z=38 FOR GRINDER MOTION ASSY.					
12	11000513	MOTOR COFFEEGRINDER/V3.1 ASSY.	230V				
	11000511	MOTOR COFFEEGRINDER V3.1 ASSY.	120V				
13	149214800	CAP FOR WORM SCREW MC/V3 CENTRING					
14	129661702	SCREW TCB TORX 3,5X30 PLAST.ZN-B					
15	11002873	INSULATOR BUSH FOR GRINDER MOTOR P124					
16	11000597	COFFEE GRINDER SUPPORT SPRING P124					
17	11001826	SOUNDPROOFING COVER FOR COFGRINDER P0053					
18	11002508	UPPER GEAR SUPPORT COFFEEGRINDER P124					
19	11003446	BLACK INSERT FOR COFFEE GRINDER P0049					
20	11003784	COFFEE GRINDING ADJUSTMENT GEAR P0049					
21	11002572	GRINDER REGULATION SPRING P124					
22	11002613	LOWER GEAR SUPPORT COFFEEGRINDER P124					
23	142905450	UPPER BODY WITH COFFEE.GROUND OUTLET					
24	128381800	CRINKLE WASHER 21,8X15,8X0,2					
25	123030200	RADIAL BEARING 61900.2RS1					
26	181540900	ELECTRONIC BOARD WITH SENSOR HAL506					
27	11001367	BLACK COFFEE GRINDER SUPPORT P0049					
28	149199050	SENSOR SUPPORT FOR COFF.GRIND.MOTOR					
29	128381902	GALVAN.FLAT WASH.DI=4,3 DE=14 SP=1,5					
30	11004199	BLACK CONDENSE CONVEYOR P0049					
31	128310402	GALV.WASHER UNI 8842 A4					
32	11005658	5POLES CONNECTOR MC SENSORS P0049 UL	120V=230V				
33	129914002	SCREW TCB TORX 10 3,5X16 PLAST.ZN-B					
	11007416	GENERAL MOTOR MC V2 P0049 ASSY.	230V				
	11007417	GENERAL MOTOR COF.GRINDER V2 P0049 ASSY	120V				



Saeco SUP0310
INTERNATIONAL GROUP

CE Cod.10003401
Cod.10003674

POS	CODE	DESCRIPTION	NOTE	POS	CODE	DESCRIPTION	NOTE
01	11005060	PIN V2 FOR BOILER P119 ASSY.					
02	9011.132	SPRING FOR PIN					
03	11003820	CAP V2 FOR PIN BOILER P119					
04	11009019	TEA/BRASS PISTON L=20,9 ASSY.					
05	140324459	OR ORM 0060-20 IN SILICONE PTFE/FDA					
06	140328059	OR 2015 IN SILICONE PTFE/FDA					
07	11003801	NATURAL PIN V2 FOR BOILER P119					
08	11005099	NATURAL CURSOR V2 FOR BOILER P119					
09	NM01.035	OR ORM 0090-20 SILICONE					
10	NM01.057	OR ORM 0050-20 IN SILICONE					
11	9161.132	MYLAR WASHER FOR RATIOMOTOR					
12	9121.046	SINTERED BUSH FOR MOTOR					
13	148380200	WASHER BAKELIZZATE D=5,5					
14	9121.044	ANTIVIBRATION FOR MOTOR					
15	11003037	MOTOR FOR RATIOMOTOR ASSY.					
16	11001331	BLACK MICROSWITCH SUPPORT DUMP BOX P0049					
17	11003661	REED SENSOR MK3-1A66-BV16451					
18	11006337	BLACK COVER MOUNTING PLATE P0049 ASSY.					
	11009287	BLACK COVER MOUNTING PLATE P0049 UL ASSY					
19	129914002	SCREW TCB TORX 10 3,5X16 PLAST.ZN-B					
20	11001312	BLACK COVER FOR VAIN BOILER P0049					
21	129914102	SCREW TSP TORX 10 3,5X12 PLAST.ZN-B					
22	11010544	V4 COFFEE DISPENSING VALVE P0049 ASSY.					
23	NE05.038	MICROSWITCH					
24	20000900	SPARES KIT GEARS FOR RATIOMOTOR V2					
26	11012382	BLACK BREW UNIT 8GR.5BAR P0057					
		SEE EXP. COD. E90067					