

SUP0310

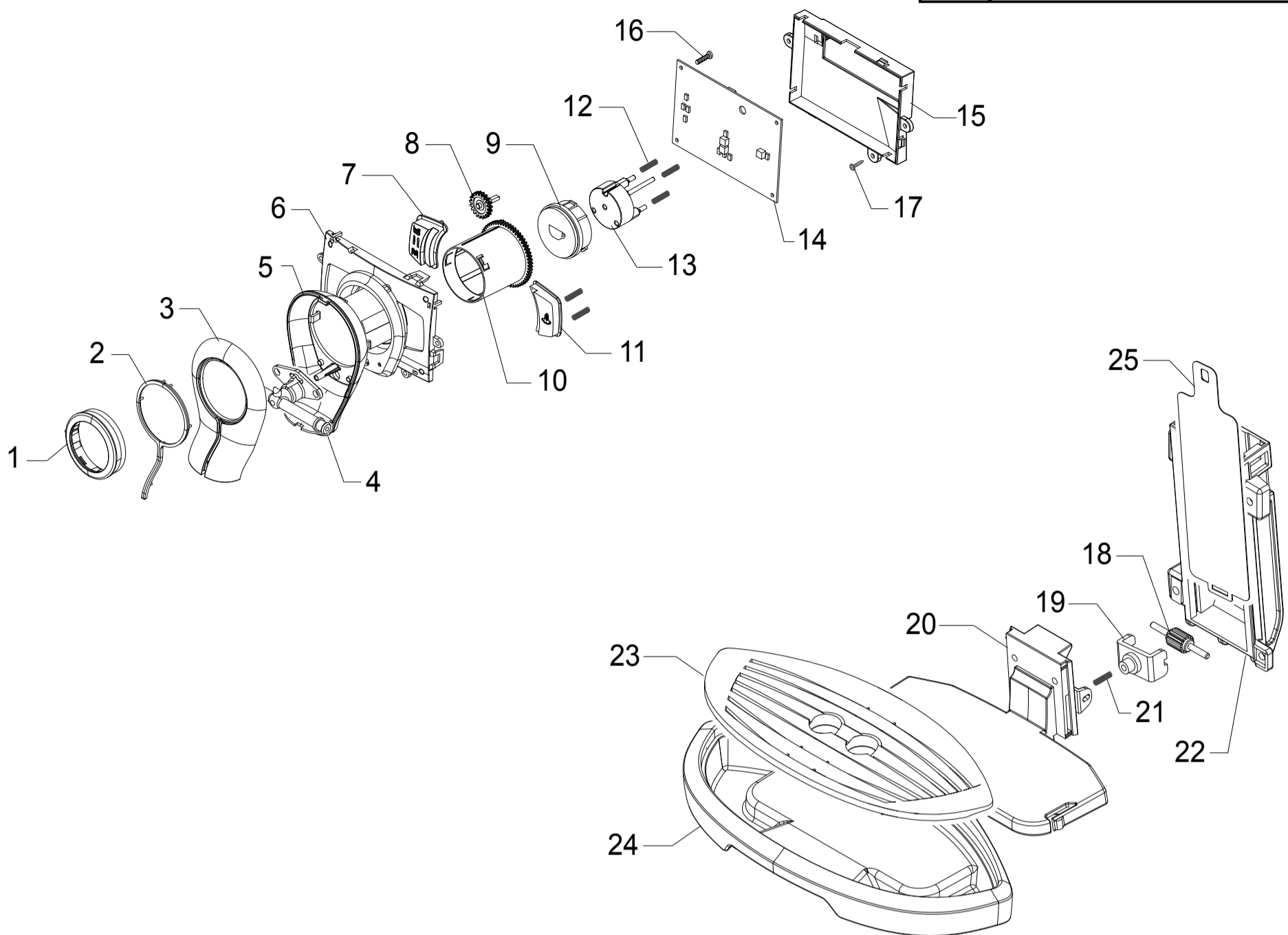
RI9752/11 - 47



Cod.10003401

Cod.10003674

POS	CODE	12NC	DESCRIPTION	NOTE	POS	CODE	12NC	DESCRIPTION	NOTE
01	15003336	996530073344	MANUAL V6 SAE SUP0310 P0049/A D/I		30	11001762	996530001005	NAT/GREY BEAN COFFEE CONT.LID P0049 ASSY	
	15003337	996530073343	MANUAL V6 SAE SUP0310 P0049/A GB/F		31	11009191	996530005331	BLACK POWER BOARD PROTECTION V2 P0049	
	15003338	996530073342	MANUAL V6 SAE SUP0310 P0049/A E/P		32	11022788	996530007441	PWR BOARD V2 P0053	230V
	15003342	996530073346	MANUAL V6 SAE SUP0310 P0049/A NL/PL					UP TO S/N TW901249599456	
02	11003889	996530001955	2POLES CONNECT.SENSOR REED DOOR P0049 UL		11029201	996530073291	POWER BOARD SB P0049	230V	
03	11003785	996530001908	BLACK GRINDER ADJUSTMENT KEY P0049					FROM S/N TW901249599457	
04		421946001591	BLK POWER CABLE SCHUKO L=800		11003968	996530001977	PWR BOARD P0049/P0053	120V	
	183930650	996530025858	POWER CABLE CH BLACK 3X1 H05VV-F L=1200		33	9161.111	996530050555	MAGNET FOR FLOAT SUPERAUT.	
	183921950	996530025843	POWER CABLE SJT3 USA BLACK UL L=1200		34	11008956	996530005133	SS DOOR LOCK SPRING G0053	
05	13001548	996530073295	PS-E UPPER INSERT V4 FOR BOX P0049		35	11001340	996530000764	BLACK DOOR PIN P0049	
06	13001547	996530073287	PS-E LOWER INSERT V4 FOR BOX P0049		36	11023702	996530066694	TXT/BLACK DOOR P0049	
07	13001180	996530066716	DISPLAY BOX P0049 SAE BLACK LINE		37	11001091	996530000642	BLACK DOOR INSIDE COVER P0049	
08	11001746	996530000992	NAT/GREY WATER CONTAINER P0049 ASSY.		38	11023689	996530007656	TXT/BLACK ON-OFF BUTTON INSERT P0049	
09	224640200	996530029115	WHITE WATER CONTAINER EXT.FILTER ASSY. WITH PART.N°10		39	11011129	996530005982	SPECCHIATO ON-OFF SWITCH BUTTON P0049	
10	140328461	996530013571	OR ORM 0190-10 EPDM		40	129913202	996530013156	SCREW TCB TORX 10 3X8 PLAST.ZN-B	
11	11003672	996530001831	SS SPRING FOR WATER CONTAIN.VALVE P0049		41	11001339	996530000763	TRANSP.INFRAREDS PLATE P0049	
12	11003673	996530001832	GREY WATER CONTAINER VALVE INSERT P0049		42	NF11.084	996530059199	PHOSPH/STEEL FOLK SPRING	
13	11003671	996530001829	TRANSP.VALVE FOR WATER CONTAINER P0049		43	11001624	996530000929	BLACK STEAM TUBE WASHER P0049	
14	11001298	996530000733	BLACK LID FOR DUCKBILL VALVE P0049		44	11005287	996530002822	BLACK STEAM KNOB BUSH P0053	
15	11001308	996530000744	NAT/GREY WATER CONTAINER LID P0049		45		421941155132	BLK REED SENSOR SUPPORT V2 P0049	
16	11030061	996530072442	MOUNTING PLATE W/PIN V3 P0049 ASSY.		46		421946017941	KLUBERLUB NH1 11-222 TUBE 5GR.	
	11030062	996530072441	MOUNTING PLATE W/PIN V3 P0049 UL ASSY.		47	129661702	996530012992	SCREW TCB TORX 3,5X30 PLAST.ZN-B	
17	11000223	996530000126	BLACK WHEEL FOR CASING BOTTOM P124		48	11006567	996530003666	LOWER INSULATE SHEET PWR ELE.BOARD P0053	(ONLY 120V)
18	11030681	996530073345	GL/BLK CASING COV.V4 S/S.BLACK.GO P0049		49	11007234	996530004168	UPPER INSULATE SHEET PWR ELE.BOARD P0053	(ONLY 120V)
19	11010717	996530005862	SPECCHIATO WATER-STEAM KNOB P0049						
20	11004142	996530002084	SILVER PLATE LOGO SAECO NEW P0049/P0053						
			UP TO S/N TW901248583301						
21	11023643	996530007645	BLK PLATE W/LOGO "BLACK" S/SCR.GO						
			FINO A MATR. TW901248583301						
22	11023667	996530066691	TXT/BLACK RIGHT SIDE CASING P0049						
23	11023668	996530066692	TXT/BLACK LEFT SIDE CASING P0049						
24	11003533	996530001717	BLACK DUMP BOX P0049 ASSY.						
25	11030322	996530072443	TXT/BLACK COFFEE UNIT DRIP TRAY V2 P0049						
26	12001883	996530072437	CUP SOCKET V3 EN 60320 C 13						
27	11007060	996530004022	GENERAL SWITCH P124						
28	11023728	996530066695	TXT/BLACK WATER TANK OUTLET COVER P0049						
29	11011355	996530006035	TRANSP.BEAN CONTAINER V2 P0049						



Saeco
INTERNATIONAL GROUP

SUP0310

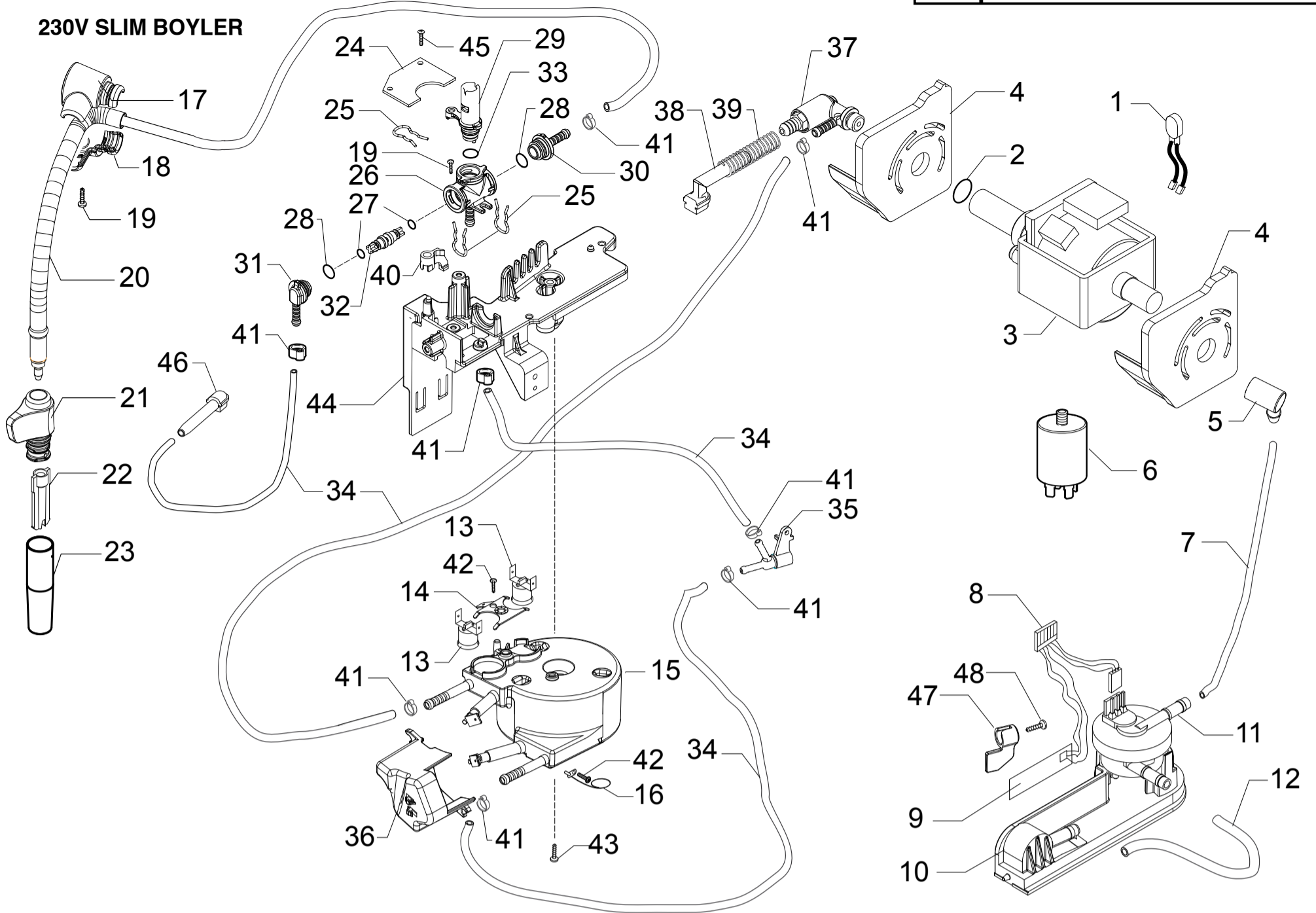
RI9752/11 - 47



Cod.10003401

Cod.10003674

POS	CODE	12NC	DESCRIPTION	NOTE	POS	CODE	12NC	DESCRIPTION	NOTE
01	11011220	996530005994	SPECCH.COFF.HEIGHT REGULATION NUT P0049						
02	11023221	996530066673	BLACK COFFEE DISPENSER LENS P0049						
03	11011223	996530005996	SPEC.FRONT COFF.DISPENS.COVER S/SC.P0049						
04	11001772	996530001015	BLACK COFFEE DISPENSER INNER TUBE P0049						
05	11011221	996530005995	SPECCH.REAR COF.DISPENSER COVER P0049						
06	11011224	996530005997	SPECCHIATO FRONT CPU CARD SUPPORT P0049						
07	11001351	996530000768	BLACK ALLARMS BUTTON P0049						
08	11001320	996530000752	BLACK GEAR Z=19 P0049						
09	11004388	996530002267	CARBONA COFFEE BUTTON S/SCR.P0049/A						
10	11001314	996530000751	BLACK SUPPORT FOR RING NUT P0049						
11	11001353	996530000771	BLACK STEAM BUTTON P0049						
12	11001363	996530000781	SS BUTTONS SPRING P0049						
13	11001334	996530000757	BLACK COFFEE BUTTON SPACER P0049/A						
14	20006860	996530066744	KIT SPARES CPU+SW V3 P0049 ASSY.	(SLIM BOILER)					
			UP TO S/N TW901249599456						
	20007210	996530073293	KIT SPARES CPU+SW SB P0049 ASSY.	(SLIM BOILER)					
			FROM S/N TW901249599457						
	20003340	996530010152	KIT SPARES CPU+SW V2 P0049 ASSY.	(STANDARD BOILER)					
15	11001299	996530000734	BLACK REAR CPU CARD SUPPORT P0049.						
16	129913202	996530013156	SCREW TCB TORX 10 3X8 PLAST.ZN-B						
17	12000450	996530007819	SCREW TCB TORX 10 3,5X12 PLAST.ZN-N						
18	11001758	996530001002	PIN WITH BLACK INSERT P0049 ASSY.						
19	11001335	996530000758	BLACK DRIP TRAY PIN INSERT P0049						
20	17002054	996530072781	BLACK DRIP TRAY SUPPORT V2 P0049						
21	11001364	996530000782	SS DRIP TRAY MOVE SPRING P0049						
22	11001294	996530000728	BLACK DRIP TRAY GUIDE P0049						
23	11011128	996530005981	SPECCHIATO DRIP TRAY GRATE P0049						
24	11023656	996530066688	TXT/BLACK DRIP TRAY P0049						
25	11023580	996530007638	BLACK DRIP TRAY PROTECTION V2 P0049						



SUP0310

RI9752/11 - 47

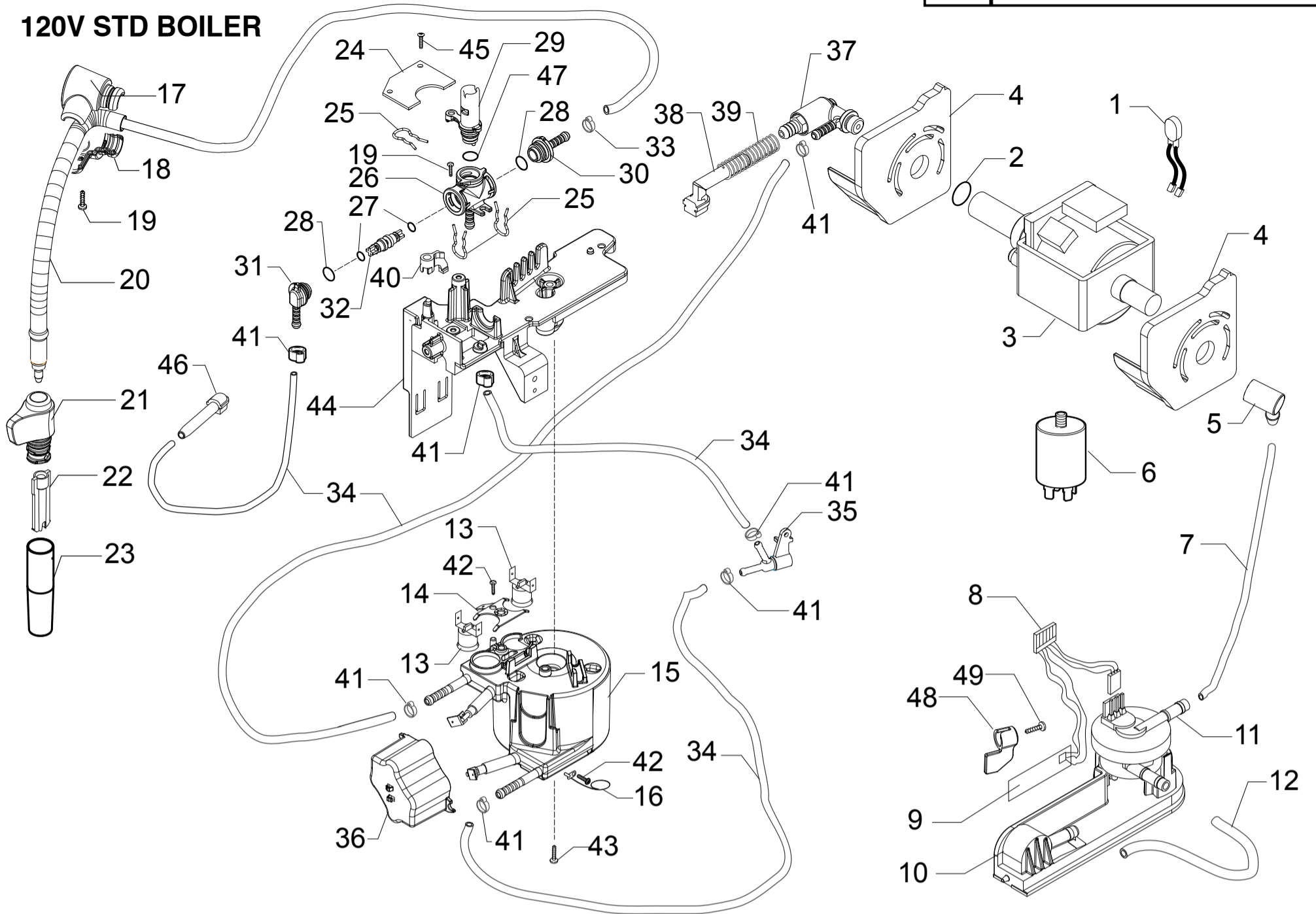


Cod.10003401

Cod.10003674

POS	CODE	12NC	DESCRIPTION	NOTE	POS	CODE	12NC	DESCRIPTION	NOTE
01	11005668	996530003036	2POLES CONNECTOR PUMP P0049 UL	230V	38	11001629	996530000934	BLK PUMP WATER DESCARGING CONNECT.P0049	
02	140321961	996530013471	O-RING 2031 TERMOIL		39	11005003	996530002662	SS DESCARGING WATER CONNECT.SPRING P0049	
03		421941305991	ULKA PUMP EP5FMGW 230V-50HZ	230V-50HZ	40	11008876	996530005077	BLK BRASS FAUCET BLOCK INSERT P0049/A	
04	11006296	996530003462	BLACK PUMP SUPPORT P0049 ASSY.		41	12000892	996530007947	OETIKER CLAMP D=9,5 16700004	
05	147920150	996530017348	90° INLET PUMP CONNECTOR		42	12001715	996530069758	SCREW TCB TORX 20 M4X8 AUTOFORMING ZN-B	
06	12000005	996530007709	ANTIDISTURB FILTER 10A FNC 1005474103P	230V	43	12001369	996530008039	SCREW TSP TORX 10 5X35 PLAST.SS	
07	149360200	996530018269	SILICONE TUBE 5X8 70SR	IN ROLL	44	11001332	996530000755	BLACK BOILER-FAUCET-VALVE SUPPORT P0049	
08	11005648	996530003031	6 POLES CONNECT.LEVEL+FLOWMETER P0049 UL	230V	45	129913202	996530013156	SCREW TCB TORX 10 3X8 PLAST.ZN-B	
09	11003232	996530001522	AS.CPU+SW WATER LEVEL SENSOR V2		46	11001630	996530000935	BLK MILK ISLAND DESCARG.WATER CONN.P0049	
10	11003670	996530001828	BLACK TURBINE SUPPORT V2 P0049		47	17001879	996530073171	BLK CAPACIT.SENSOR DEADLOCK INSERT P0049	
11	12000781	996530007887	TURBINE D=1,2 932-8521/90 ASSY.		48	12000450	996530007819	SCREW TCB TORX 10 3,5X12 PLAST.ZN-N	
12	JS01.022	996530057357	SILICONE TUBE 5X10 60SH	IN ROLL		11025775	996530067768	TEA/BRASS FAUCET V2 P0049-P0053 ASSY. WITH PART. N°25-26-27-28-29-30-31-32-33	
13	-	262279998757	THERMOSTAT OPEN/CLOSE 190/-35DEGC B			11023771	996530066698	SLIM TUB.BOILER P0049/A 230V ASSY.	COMPLETE
14	11001751	996530000997	TUB.BOILER V3 UPPER THERM.FIXING SPRING	230V 1300W					
15	11013735	996530006841	SLIM TUB.BOILER ASSY.						
16	190800100	996530026997	TEMPERATURE SENSOR NTC UL L=280MM						
17	11004196	996530002117	CHROM.UPPER STEAM TUBE COVER P0049						
18	11004197	996530002118	CHROM.LOWER STEAM TUBE COVER P0049						
19	129913902	996530013164	SCREW TCB TORX 10 3X12 PLAST.ZN-B						
20	11022486	996530007383	TF/CHROM.STEAM TUBE V2 P0049/P0053 ASSY.						
21	-	421941300681	BLK/SIL.STEAM TUBE HANDGRIP P0049						
22	11001620	996530000925	BLACK PANNARELLO INNER TUBE P0049						
23	11001769	996530001012	BLACK PANNARELLO COVER P0049						
24	11007569	996530004425	FAUCET ELECTRONIC CARD G0053 ASSY.						
25	11001499	996530000853	SS FAUCET FORK SPRING P0049						
26	11004625	996530002455	TEA/BRASS FAUCET CASING P0049						
27	12001614	996530067769	OR 2012 IN EPDM PEROX.FOOD 70 SH						
28	12001613	996530067867	O-RING 108 EPDM PEROX.FOOD 70 SH						
29	11025776	996530067941	PLAST/BRASS FAUCET SHAFT V2 P0049 ASSY.						
30	11001546	996530000891	BLACK FAUCET STRAIGHT CONNECTOR P0049						
31	11001544	996530000888	BLACK FAUCET CONNECTOR P0049						
32	11004134	996530002075	TEA/BRASS FAUCET SHAFT P0049						
33	12001615	996530067929	OR 2025 IN EPDM PEROX.FOOD 70 SH						
34	16000380	996530009505	5X8,9 SILICONE TUBE	IN ROLL					
35	11001330	996530000753	BLACK CONNECTOR FOR PIN BOILER P0049						
36	17000386	996530066737	BLK BOILER CONNECTORS COVER P0049/P0053						
37	11004689	996530002484	TEA/BRASS SAFETY VALVE 16-18 BAR ASSY.						

120V STD BOILER



SUP0310

RI9752/11 - 47



Cod.10003401

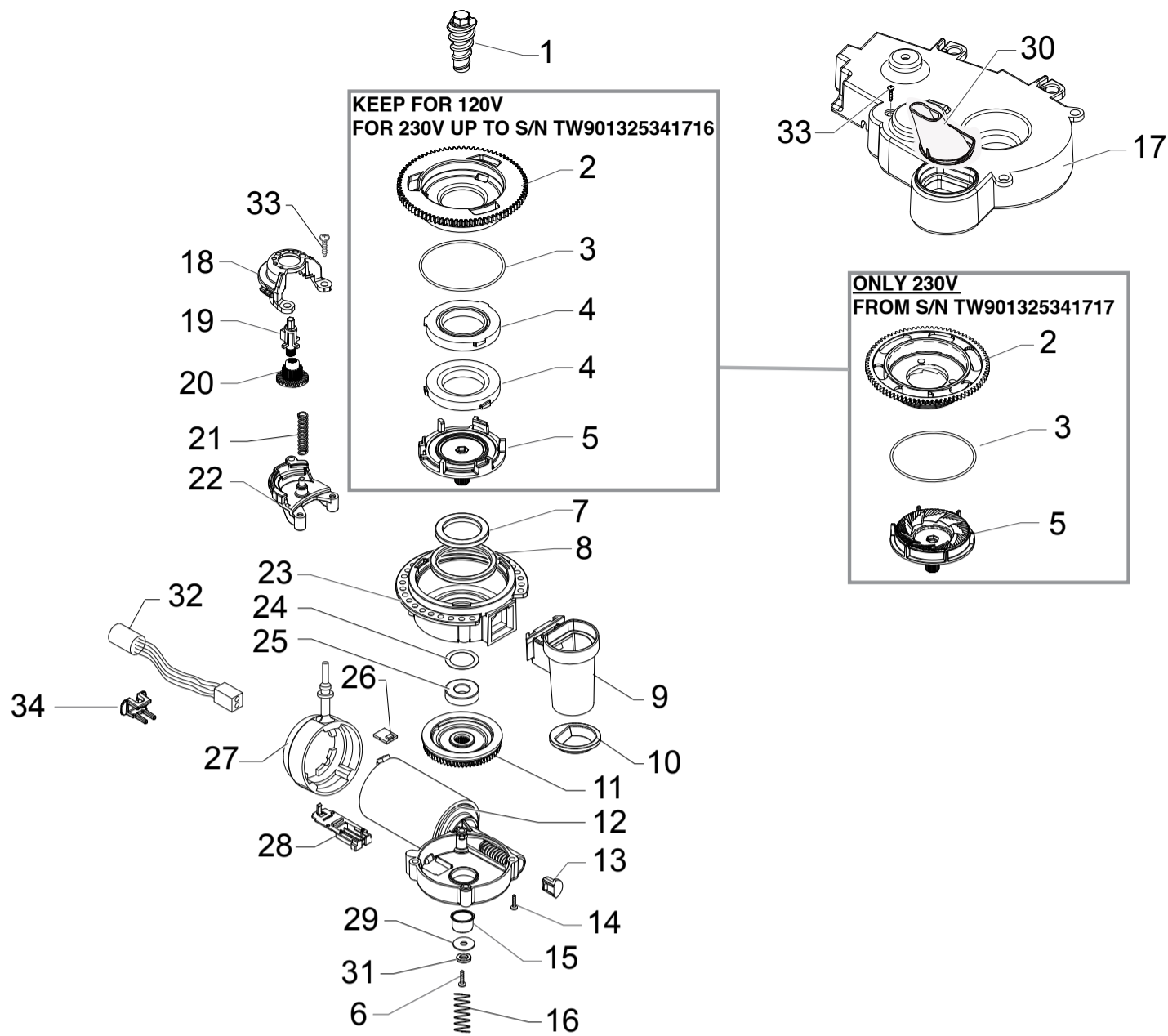
Cod.10003674

POS	CODE	12NC	DESCRIPTION	NOTE	POS	CODE	12NC	DESCRIPTION	NOTE
01	11005668	996530003036	2POLES CONNECTOR PUMP P0049 UL	120V	38	11001629	996530000934	BLK PUMP WATER DESCARGING CONNECT.P0049	
02	140321961	996530013471	O-RING 2031 TERMOIL		39	11005003	996530002662	SS DESCARGING WATER CONNECT.SPRING P0049	
03	12000142	996530007754	ULKA PUMP EAP5/S	120V-60HZ	40	11008876	996530005077	BLK BRASS FAUCET BLOCK INSERT P0049/A	
04	11006296	996530003462	BLACK PUMP SUPPORT P0049 ASSY.		41	12000892	996530007947	OETIKER CLAMP D=9,5 16700004	
05	147920150	996530017348	90° INLET PUMP CONNECTOR		42	12001715	996530069758	SCREW TCB TORX 20 M4X8 AUTOFORMING ZN-B	
06	12000007	996530007711	QUICK-LOCK ANTIDISTURB FILTER 16A	120V	43	129932502	996530013201	SCREW TSP 5X30 PLAST.ZN-B	
07	149360200	996530018269	SILICONE TUBE 5X8 70SR	IN ROLL	44	11001332	996530000755	BLACK BOILER-FAUCET-VALVE SUPPORT P0049	
08	11005648	996530003031	6 POLES CONNECT.LEVEL+FLOWMETER P0049 UL	120V	45	129913202	996530013156	SCREW TCB TORX 10 3X8 PLAST.ZN-B	
09	11000651	996530000425	WATER LEVEL SENSOR BOARD P124		46	11001630	996530000935	BLK MILK ISLAND DESCARG.WATER CONN.P0049	
10	11003670	996530001828	BLACK TURBINE SUPPORT V2 P0049		47	12001615	996530067929	OR 2025 IN EPDM PEROX.FOOD 70 SH	
11	12000781	996530007887	TURBINE D=1,2 932-8521/90 ASSY.		48	17001879	996530073171	BLK CAPACIT.SENSOR DEADLOCK INSERT P0049	
12	JS01.022	996530057357	SILICONE TUBE 5X10 60SH	IN ROLL	49	12000450	996530007819	SCREW TCBR TORX 10 3,5X12 PLAST.ZN-N	
13	12001034	996530007974	THERMOSTAT ONE SHOT 175°						
14	11001751	996530000997	TUB.BOILER V3 UPPER THERM.FIXING SPRING			11025775	996530067768	TEA/BRASS FAUCET V2 P0049-P0053 ASSY.	
15	11011342	996530006026	V4 TUB.BOILER ASSY.	120V 1300W		11005774	996530003113	TUB.BOILER P0049/A 120V ASSY.	COMPLETE
16	190800100	996530026997	TEMPERATURE SENSOR NTC UL L=280MM						
17	11004196	996530002117	CHROM.UPPER STEAM TUBE COVER P0049						
18	11004197	996530002118	CHROM.LOWER STEAM TUBE COVER P0049						
19	129913902	996530013164	SCREW TCB TORX 10 3X12 PLAST.ZN-B						
20	11022486	996530007383	TF/CHROM.STEAM TUBE V2 P0049/P0053 ASSY.						
21	-	421941300681	BLK/SIL.STEAM TUBE HANDGRIP P0049						
22	11001620	996530000925	BLACK PANNARELLO INNER TUBE P0049						
23	11001769	996530001012	BLACK PANNARELLO COVER P0049						
24	11007569	996530004425	FAUCET ELECTRONIC CARD G0053 ASSY.						
25	11001499	996530000853	SS FAUCET FORK SPRING P0049						
26	11004625	996530002455	TEA/BRASS FAUCET CASING P0049						
27	12001614	996530067769	OR 2012 IN EPDM PEROX.FOOD 70 SH						
28	12001613	996530067867	O-RING 108 EPDM PEROX.FOOD 70 SH						
29	11025776	996530067941	PLAST/BRASS FAUCET SHAFT V2 P0049 ASSY.						
30	11001546	996530000891	BLACK FAUCET STRAIGHT CONNECTOR P0049						
31	11001544	996530000888	BLACK FAUCET CONNECTOR P0049						
32	11004134	996530002075	TEA/BRASS FAUCET SHAFT P0049						
33	NF11.052	996530059178	OETIKER CLIP						
34	16000380	996530009505	5X8,9 SILICONE TUBE	IN ROLL					
35	11001330	996530000753	BLACK CONNECTOR FOR PIN BOILER P0049						
36	11005284	996530002821	BLACKBOILER CONNECTORS COVER P0049/P0053						
37	11010166	996530005642	PLAST-TEA/BR.SAFETY VALVE 16-18 BAR ASSY						



ODEA BLACK GO

TABLE 4/7



SUP0310

RI9752/11 - 47



Cod.10003401

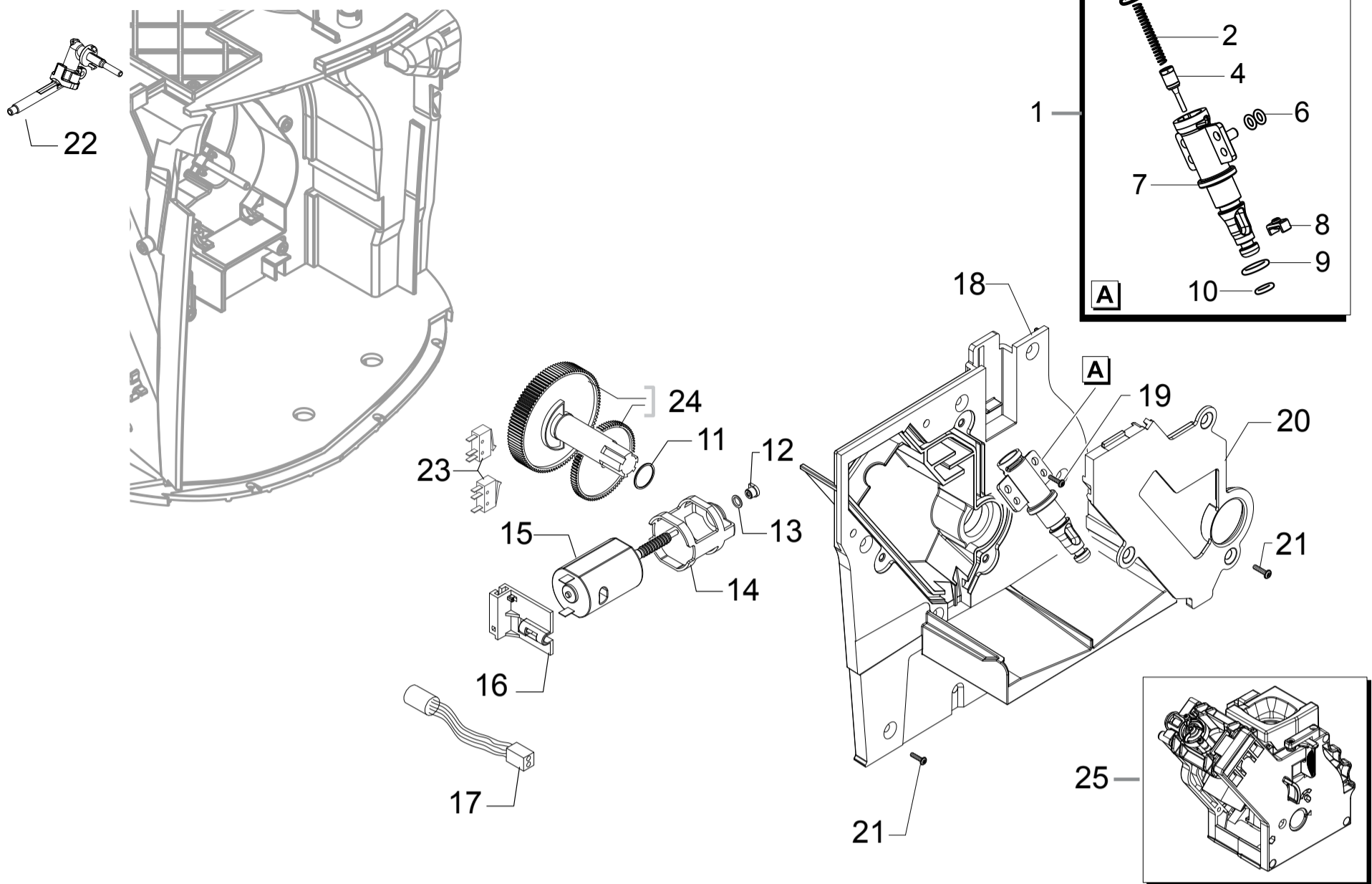
Cod.10003674

POS	CODE	12NC	DESCRIPTION	NOTE	POS	CODE	12NC	DESCRIPTION	NOTE
01	11011205	996530005991	TEA ZAMA INCREASE SCREW GRINDER		30	11004199	996530002119	BLACK BREW UNIT CONDENSE CONVEYOR P0049	
02	-	421941094152	BLK COF.GRINDER UPPER GRINDER SUPPORT V2 FOR 230V UP TO S/N TW901325341716	KEEP FOR 120V	31	128310402	996530012341	GALV.WASHER UNI 8842 A4	
02	11027349	996530073677	BLK UPPER SUPPORT WITH COMOLDED MILL V2 FROM S/N TW901325341717	ONLY 230V	32	11005658	996530003033	5POLES CONNECTOR MC SENSORS P0049 UL	120V-230V
03	140328960	996530013577	OR ORM 0530-15 NBR FDA		33	129914002	996530013165	SCREW TCB TORX 10 3,5X16 PLAST.ZN-B	
04	146520100	996530016342	BAKED CLAY GRINDER 48X28 FOR 230V UP TO S/N TW901325341716	KEEP FOR 120V	34	17001921	996530072477	BLK WIRING FIX INSERT FOR GRINDER BOARD	
05	149198350	996530017952	BLK LOWER COFFEEGRINDER GRINDER SUPPORT FOR 230V UP TO S/N TW901325341716	KEEP FOR 120V		11007416	996530004292	GEN.MOTOR COF.GRINDER V2 P0049 ASSY UP TO S/N TW901325341716	230V
	11027348	996530073671	BLK LOWER SUPPORT WITH COMOLDED MILL V2 FROM S/N TW901325341717	ONLY 230V		-	421941303031	GEN.MOTOR COF.GRINDER COM.P0049 230V ASSY FROM S/N TW901325341717	230V
06	129574802	996530012928	SCREW TCB TORX 20 M4X30 ZN-B			11007417	996530004293	GEN.MOTOR COF.GRINDER V2 P0049 ASSY	120V
07	123030300	996530011183	AXIAL BEARING EKKO 342.35252						
08	140360500	996530013597	FELT RING 45,4X39,4X4						
09	11026354	996530069997	BLK GROUND COF.OUTLET CONVEYOR V4 SMART1						
10	11030459	996530072511	GRY GROUND COFFEE CONT.LOWER SEAL SMART1						
11	226000300	996530029609	GEAR SX Z=38 FOR GRINDER MOTION ASSY.						
12	11000513	996530000317	MOTOR COFFEEGRINDER V3.1 ASSY.	230V					
	11000511	996530000315	MOTOR COFFEEGRINDER V3.1 ASSY.	120V					
13	149214800	996530018139	MC V3 MOD=1,25 WORM SCREW CENTRING CAP						
14	129661702	996530012992	SCREW TCB TORX 3,5X30 PLAST.ZN-B						
15	11002873	996530001389	INSULATOR BUSH FOR GRINDER MOTOR P124						
16	11000597	996530000376	COFFEE GRINDER SUPPORT SPRING P124						
17	11001826	996530001044	COFFEE GRINDER SOUNDPROOFING COVER P0053						
18	11002508	996530001296	UPPER COFFEEGRINDER GEAR SUPPORT P124						
19	11003446	996530001673	BLACK BEAN COFFEE GRINDER INSERT P0049						
20	11003784	996530001907	COFFEE GRINDING ADJUSTMENT GEAR P0049						
21	11002572	996530001308	COFFEEGRINDER REGULATION SPRING P124						
22	11002613	996530001314	LOWER COFFEEGRINDER GEAR SUPPORT P124						
23	142905450	996530015258	BLK UPPER BODY WITH COFFEE GROUND OUTLET						
24	128381800	996530012374	STEEL CRINKLE WASHER 21,8X14X0,25						
25	123030200	996530011182	RADIAL BEARING 61900.2RS1						
26	181540900	996530022784	ELECTR.BOARD WITH SENSOR HAL506 SF-K						
27	11001367	996530000785	BLACK COFFEE GRINDER SUPPORT P0049						
28	149199050	996530017963	BLK SENSOR SUPPORT FOR COF.GRINDER MOTOR						
29	128381902	996530012375	STEEL FLAT WASHER DI=4,3 DE=14 SP=1,5						



ODEA BLACK GO

TABLE 5/7



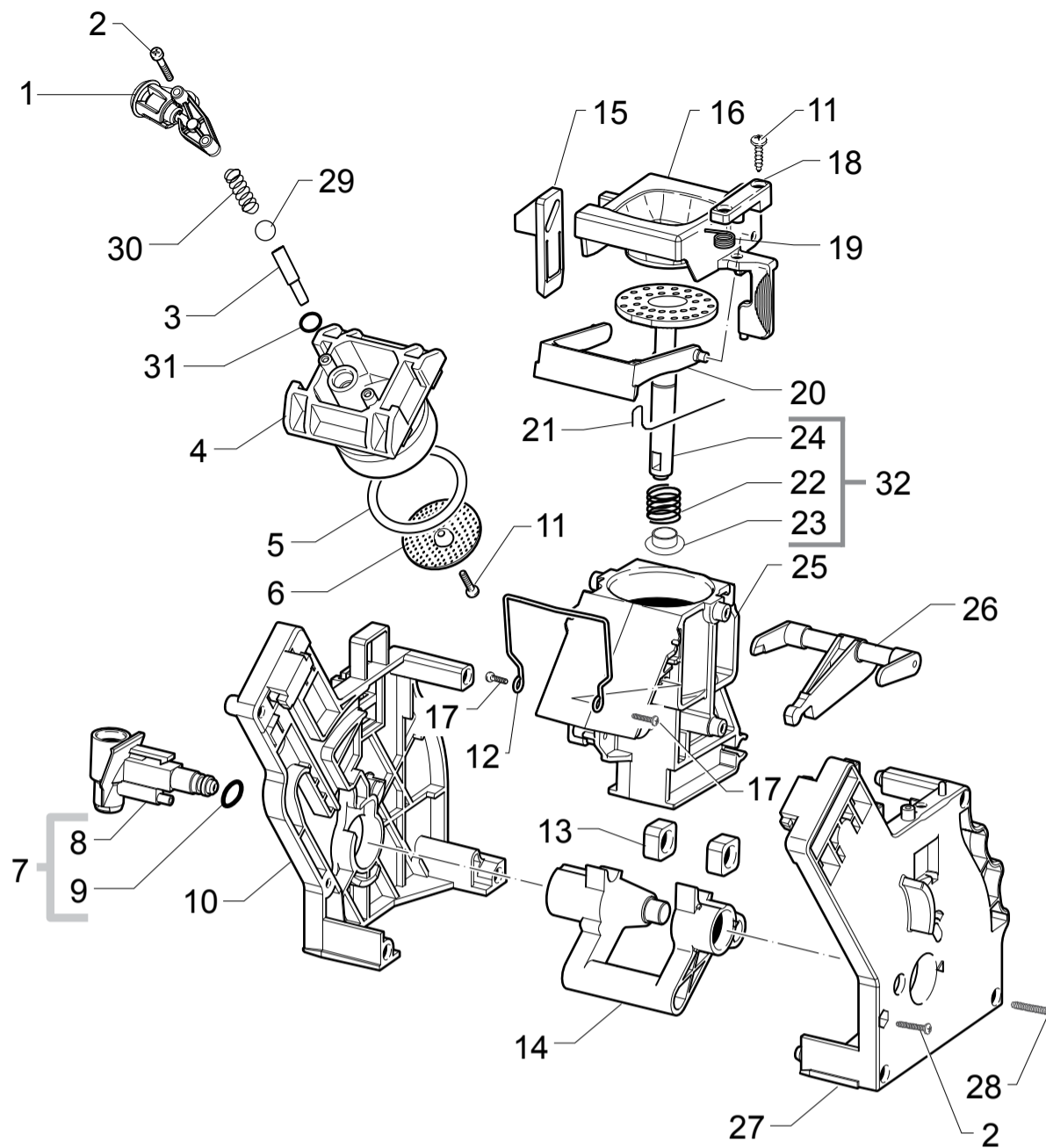
SUP0310

RI9752/11 - 47



Cod.10003401
Cod.10003674

POS	CODE	12NC	DESCRIPTION	NOTE	POS	CODE	12NC	DESCRIPTION	NOTE
01	11005060	996530002717	PIN V2 FOR BOILER P119 ASSY.						
02	9011.132	996530048874	SS SPRING FOR PIN						
03	11003820	996530001932	BLACK CAP V2 FOR PIN BOILER P119						
04	11009019	996530005183	TEA/BRASS PISTON L=20,9 ASSY.						
05	140324459	996530013508	OR ORM 0060-20 SILICONE PTFE/FDA						
06	140328059	996530013564	OR 2015 SILICONE PTFE/FDA						
07	11003801	996530001926	NAT.PIN V2 FOR BOILER P119						
08	11005099	996530002747	NATURAL CURSOR V2 FOR BOILER P119						
09	NM01.035	996530059399	OR ORM 0090-20 SILICONE						
10	NM01.057	996530059419	OR ORM 0050-20 IN SILICONE						
11	9161.132	996530050569	MYLAR WASHER FOR RATIOMOTOR						
12	9121.046	996530049898	BRONZE SINTERED BUSH FOR MOTOR RATIOMOT.						
13	148380200	996530017424	BAKELIZZATE WASHER D=5,5						
14	9121.044	996530049896	ANTIVIBRATION FOR MOTOR						
15	11005214	996530002796	MOTOR FOR RATIOMOTOR P124 ASSY.						
16	11001331	996530000754	BLACK DUMP BOX MICROSWITCH SUPPORT P0049						
17	11003661	996530001819	REED SENSOR MK3-1A66-BV16451						
18	11006337	996530003482	BLACK COVER MOUNTING PLATE P0049 ASSY.						
	11009287	996530005378	BLACK COVER MOUNTING PLATE P0049 UL ASSY						
19	129914002	996530013165	SCREW TCB TORX 10 3,5X16 PLAST.ZN-B						
20	11001312	996530000748	BLACK COVER FOR BOILER VAIN P0049						
21	129914102	996530013166	SCREW TSP TORX 10 3,5X12 PLAST.ZN-B						
22	11010544	996530005801	COFFEE DISPENSING VALVE V4 P0049 ASSY.						
23	NE05.038	996530058869	MICROSWITCH SAIA XCG5-81-P5						
24	20000900	996530009913	SPARES KIT GEARS FOR RATIOMOTOR V2						
25		421944036901	BLK BREW UNIT 8GR.5BAR V3 P0057						



Saeco
INTERNATIONAL GROUP

SUP0310

RI9752/11 - 47



Cod.10003401

Cod.10003674

POS	CODE	12NC	DESCRIPTION	NOTE	POS	CODE	12NC	DESCRIPTION	NOTE
01	11009362	996530005415	BLK COF.OUTLET SLEEVE BREW UNIT S0053 AS						
02	12000550	996530007838	SCREW TCB TORX 10 3X25 PLAST.SS						
03	11009276	996530005372	BLK COUNTER PISTON TUBE BREW UNIT S0053						
04	11001840	996530001046	BLACK COUNTER PISTON BREW UNIT 8GR.P124						
05	NM01.044	996530059406	OR ORM 0320-40 SILICONE PTFE/FDA						
06	9161.268	996530050709	PERCOLATOR DE=35,8 ELFO						
07	20000440	996530009825	BLACK WATER INLET SLEEVE BREW UNIT ASSY.						
08	9161.064.050	996530050488	BLACK WATER INLET SLEEVE BREW UNIT ROYAL						
09	NM02.007	996530059441	OR 2025 IN TERMOIL						
10	9161.375.050	996530050832	BLACK BREW UNIT REAR PLATE SMART						
11	12000895	996530007951	SCREW TSP TORX 10 3X10 PLAST.SS						
12	11001556	996530000898	SS BREW UNIT SPRING H=49 SMART						
13	9161.094.050	996530050539	BLACK BREW UNIT DRILLED BLOCK						
14	9161.066.050	996530050492	BLACK BREW UNIT ELBOW SHAFT M5000						
15	9161.373.050	996530050827	BLACK BREW UNIT COUPLING PLATE SMART						
16	149261350	996530018241	BLACK HOPPER DOSER BREW UNIT SMART1						
17	129912521	996530013148	SCREW TCB TORX 10 3,5X14 PLAST.SS						
18	9161.374.050	996530050829	BLK BREWUNIT HOPPER BLOCKING PLATE SMART						
19	9161.378	996530050838	SS HOPPER SPRING FOR BREW UNIT SMART						
20	11004161	996530002096	BLACK SCRAPER FOR BREW UNIT M5000						
21	9161.046	996530050455	SS SCRAPER SPRING FOR BREW UNIT						
22	9161.198	996530050627	SS.8GR.BREW UNIT PISTON SPRING						
23	9161.191	996530050618	WHITE 8GR.-12GR.BREW UNIT PISTON BUSH						
24		421944025621	BLK BREW UNIT INTEGR.PISTON 8GR.V3 ASSY.						
25		421944014611	BLK COF.CONTAIN.BREW UNIT V2 M5000 ASSY.						
26	11003078	996530001452	BLACK CONNECTING ROD BREW UNIT 8GR.						
27	11005920	996530003228	BLACK BREW UNIT FRONT PLATE S/SCR.SMART						
28	12000897	996530007953	SCREW TCB TORX 10 3,5X20 PLAST.SS						
29		421944034451	BOROSILICATE SPHERE D.5 MM						
30	11012095	996530006305	SS COFFEE UNIT CONTERPISTON SPRING S0053						
31	140328761	996530013575	OR ORM 0060-15 TERMOIL						
32		421944029791	BLK BREW UNIT 8GR.INT.PISTON GEN.V3 ASSY						
		421944036901	BLK BREW UNIT 8GR.5BAR V3 P0057						

Saeco
INTERNATIONAL GROUP

ODEA BLACK GO

TABLE 7/7