

**Saeco**  
INTERNATIONAL GROUP

**SUP031OR RI9755/11**



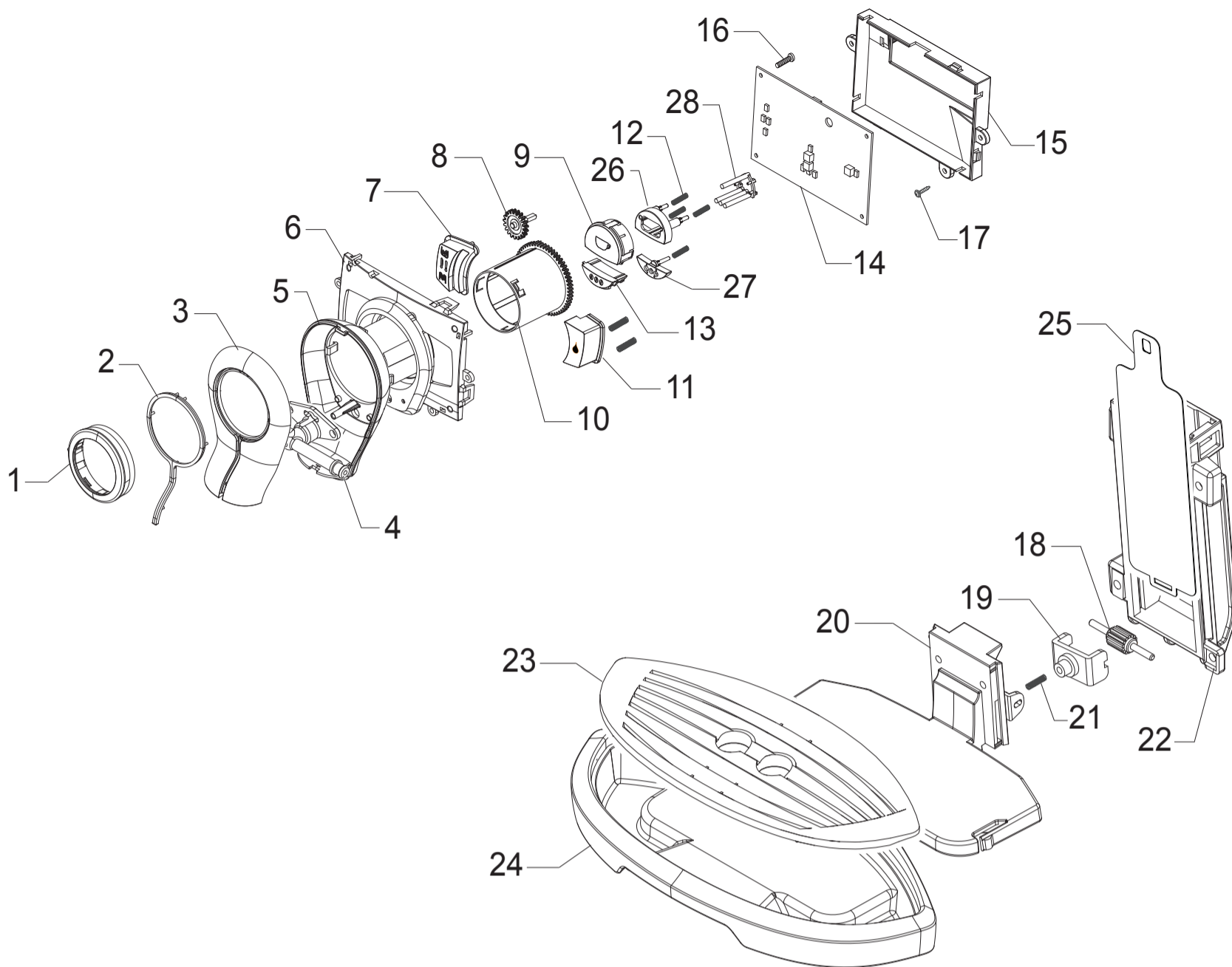
**Cod.10003400**

POS	CODE	DESCRIPTION	NOTE	POS	CODE	DESCRIPTION	NOTE
01	15002124	MANUAL V4 SAE P0049/B SUP031OR D/I		38	11023689	TXT/BLACK ON-OFF BUTTON INSERT P0049	
	15002126	MANUAL V4 SAE P0049/B SUP031OR GB/F		39	11011129	SPECCHIATO ON-OFF SWITCH BUTTON P0049	
	15002125	MANUAL V4 SAE P0049/B SUP031OR E/P		40	129913202	SCREW TCB TORX 10 3X8 PLAST.ZN-B	
	15002127	MANUAL V4 SAE P0049/B SUP031OR NL/PL		41	11001339	TRANSPARENT INFRAREDS PLATE P0049	
02	11003889	2POLES CONNECTOR SENSOR REED DOOR P0049		42	NF11.084	PHOSPH/STEEL FOLK SPRING	
03	11003785	BLACK GRINDER ADJUSTMENT KEY P0049		43	11001624	STEAM TUBE WASHER P0049	
04	183911050	BLACK POWER CABLE SCHUKO L=1200MM		44	11005287	BLACK BUSH FOR STEAM KNOB	
	183930650	PO.CABL.CH BLACK 3X1 H05VV-F L=1200		45	11003154	BLACK REED SENSOR SUPPORT P0049	
05	13000859	PS-E UPPER INSERT V3 FOR BOX P0049		46	11028379	PSA KLUBER TRIBOSTAR SIL 2 TUBE 5GR.	
06	13000858	PS-E LOWER INSERT V3 FOR BOX P0049		47	129661702	SCREW TCB TORX 3,5X30 PLAST.ZN-B	
07	13001180	DISPLAY BOX P0049 SAECO BLACK LINE					
08	11001746	NATUR/GREY WATER CONTAINER P0049 ASSY.					
09	224640200	EXTERNAL FILTER FOR WATER CONTAINER ASSY	WITH PART. N°10				
10	140328461	EPDM OR METRIC 0190-10					
11	11003672	SPRING FOR WATER CONTAINER VALVE P0049					
12	11003673	GREY WATER CONTAINER VALVE INSERT P0049					
13	11003671	TRANSP.VALVE FOR WATER CONTAINER P0049					
14	11001298	BLACK LID FOR DUCKBILL VALVE P0049					
15	11001308	NATURAL/GREY WATER CONTAINER LID P0049					
16	11030061	MOUNTING PLATE W/PIN V3 P0049 ASSY.					
17	11000223	BLACK WHEEL FOR CASING BOTTOM P124					
18	11023663	GLOSS/BLACK CASING COVER V3 P0049					
19	11010693	POMELLO ACQ-VAP.P0049 CROMATO					
20	11004142	SILVER PLATE LOGO SAECO NEW P0049/P0053					
21	11023644	BLK PLATE W/LOGO "BLACK" S/SCR.GIRO PLUS					
22	11023667	TXT/BLACK RIGHT SIDE CASING P0049					
23	11023668	TXT/BLACK LEFT SIDE CASING P0049					
24	11003533	BLACK DUMP BOX P0049 ASSY.					
25	11030322	TXT/BLACK COFFEE UNIT DRIP TRAY V2 P0049					
26	12000280	CUP SOCKET EN 60320 C 13					
27	11007060	GENERAL SWITCH FOR P124					
28	11023728	TXT/BLACK WATER TANK OUTLET COVER P0049					
29	11011355	TRANSPAR.BEAN CONTAINER V2 P0049					
30	11001762	NATUR/GREY BEAN COFF.CONT.LID P0049 ASSY					
31	11009191	BLACK POWER BOARD PROTECTION V2 P0049					
32	11022788	PWR BOARD V2 P0053	230V				
33	9161111	MAGNET FOR FLOAT SUPERAUTOM.					
34	11008956	SS SPRING FOR LOCK DOOR G0053					
35	11001340	BLACK DOOR PIN P0049					
36	11023702	TXT/BLACK DOOR P0049					
37	11001091	BLACK INSIDE COVER DOOR P0049					

**Saeco**  
INTERNATIONAL GROUP

**BLACK GIRO PLUS**

TABLE 1/5



**Saeco**  
INTERNATIONAL GROUP

SUP031OR

RI9755/11



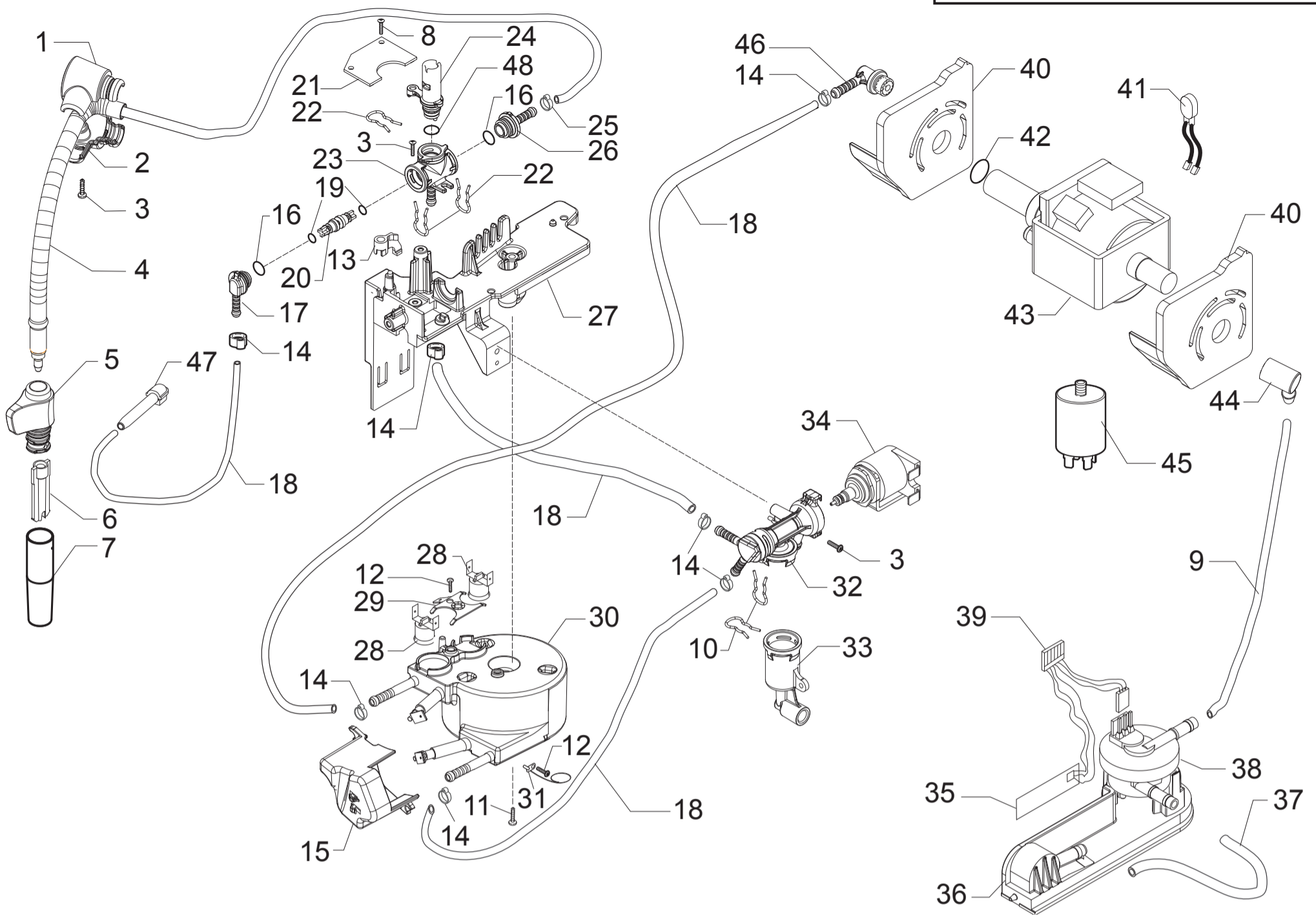
Cod.10003400

POS	CODE	DESCRIPTION	NOTE	POS	CODE	DESCRIPTION	NOTE
01	11004100	CHROMED HEIGHT REGULATION NUT P0049					
02	11023221	BLACK COFFEE DISPENSER LENS P0049					
03	11011223	SPECCH.FRONT COF.DISPENSER COVER P0049					
04	11001772	BLACK INNER CASING COFF.DISPENSER P0049					
05	11011221	SPECCHIAT.REAR COF.DISPENSER COVER P0049					
06	11011224	SPECCHIATO SUPPORT ELECTR.CARD P0049					
07	11001351	BLACK BUTTON FOR ALLARMS P0049					
08	11001320	BLACK GEAR Z=19 FOR P0049					
09	11001354	BLACK COFFEE BUTTON P0049/B					
10	11001314	BLACK SUPPORT FOR RING NUT P0049					
11	11001352	BLACK WATER BUTTON P0049					
12	11001363	SPRING FOR BUTTONS P0049					
13	11001355	BLACK COFFEE DOSE BUTTON P0049/B					
14	20006860	KIT SPARES CPU+SW V3 P0049 ASSY.					
15	11001299	BLACK SUPPORT ELECTR.CARD CPU P0049.					
16	129913202	SCREW TCB TORX 10 3X8 PLAST.ZN-B					
17	12000450	SCREW TCB TORX 10 3,5X12 PLAST.ZN-N					
18	11001758	PIN WITH BLACK INSERT ASSY.P0049					
19	11001335	BLACK PIN INSERT FOR DRIP TRAY P0049					
20	17002054	BLACK DRIP TRAY SUPPORT V2 P0049					
21	11001364	MOVE DRIP TRAY SPRING P0049					
22	11001294	BLACK DRIP TRAY GUIDE P0049					
23	11011128	SPECCHIATO GRATE FOR DRIP TRAY P0049					
24	11023656	TXT/BLACK DRIP TRAY P0049					
25	11023580	BLACK DRIP TRAY PROTECTION V2 P0049					
26	11001350	BLACK COFFEE BUTTON SPACER P0049/B					
27	11001309	BLACK SPACER FOR COFF.DOSE BUTTON P0049					
28	11001291	TRANSPARENT CAP LED COVER P0049					

**Saeco**  
INTERNATIONAL GROUP

BLACK GIRO PLUS

TABLE 2/5



**Saeco**  
INTERNATIONAL GROUP

**SUP031OR RI9755/11**



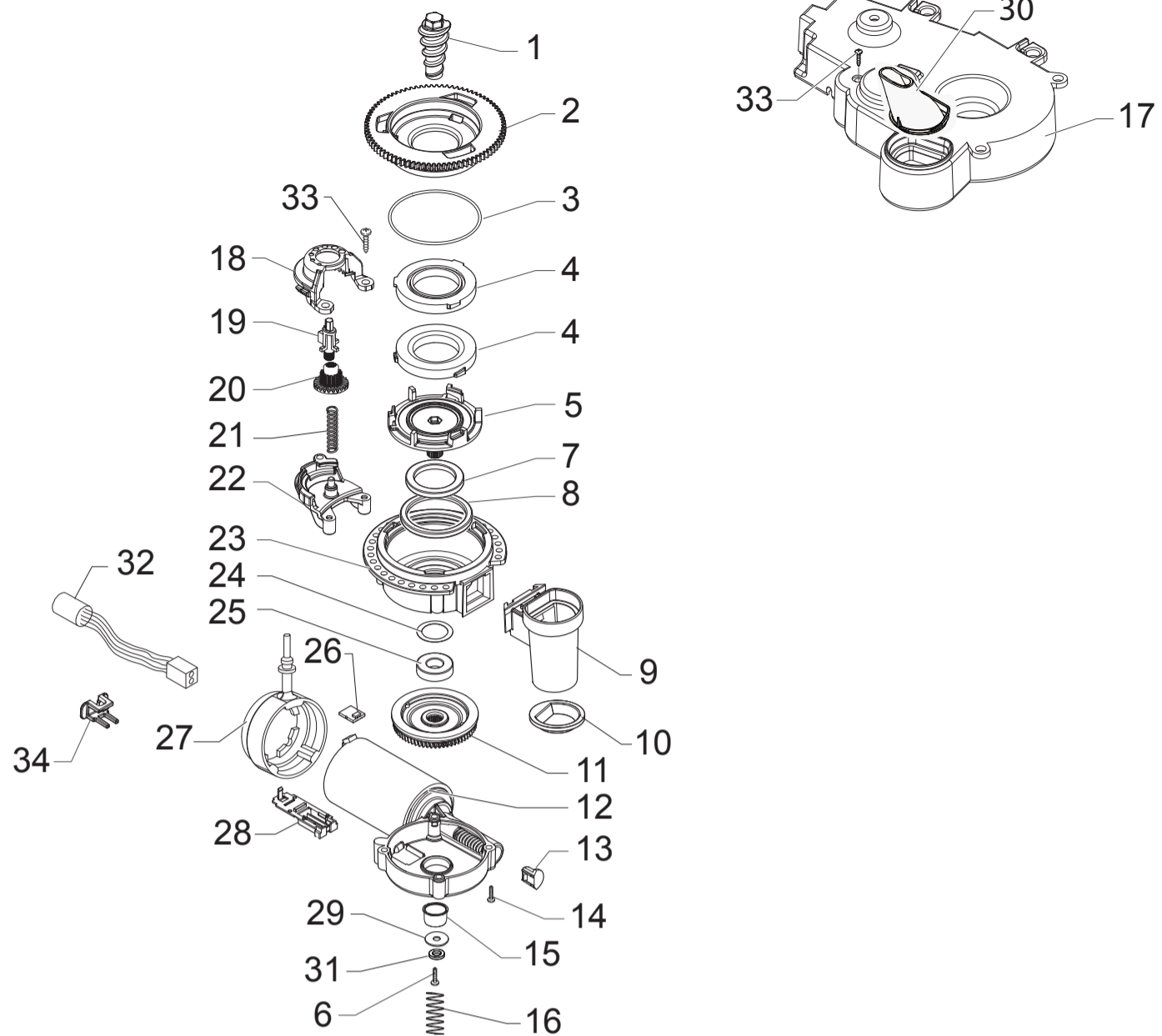
**Cod.10003400**

POS	CODE	DESCRIPTION	NOTE	POS	CODE	DESCRIPTION	NOTE
01	11004196	CHROMED UPPER STEAM TUBE COVER P0049		42	140321961	OR 2031 IN TERMOIL	
02	11004197	CHROMED LOWER STEAM TUBE COVER P0049		43	12000140	ULKA PUMP EP5/S GW	230V-50HZ
03	129913902	SCREW TCB TORX 10 3X12 PLAST.ZN-B		44	147920150	90° INLET CONNECTOR PUMP	
04	11022486	TF/CHROM.STEAM TUBE V2 P0049/P0053 ASSY.		45	12000005	ANTIDISTURB FILTER 10A FNC 1005474103P	230V
05	11001625	BLACK STEAM TUBE HANDGRIP P0049		46	11001054	90°CONNECTOR PUMP OUTLET P0049/B	
06	11001620	BLACK PANNARELLO INTERNAL TUBE P0049		47	11001630	MILK ISLAND DESCARGING WATER CONNECTION	
07	11001621	SS PANNARELLO COVER P0049		48	12001615	OR 2025 IN EPDM PEROX.FDA 70 SH	
08	129913202	SCREW TCB TORX 10 3X8 PLAST.ZN-B			11025775	TEA/BRASS FAUCET V2 P0049-P0053 ASSY. WITH PART. N°16-17-19-20-22-23-24-26-48	
09	149360200	SILICONE TUBE 5X8 70SR	IN ROLL		11001543	BLOWDOWN VALVE P0049 230V ASSY. WITH PART. N°10-32-33-34	
10	11005096	FORK SPRING FOR VALVE P0049			11023770	SLIM ALUM.BOILER P0049/C ASSY.230V	COMPLETE
11	12001369	SCREW TSP TORX 10 5X35 PLAST.SS					
12	12001715	SCREW TCB TORX 20 M4X8 AUTOFORMING ZN-B					
13	11008876	BRASS FAUCET BLOCK INSERT P0049/A					
14	12000892	OETIKER CLAMP D=9,5 16700004					
15	17000386	BLK BOILER CONNECTORS COVER P0049/P0053					
16	12001613	OR 108 IN EPDM PEROX.FDA 70 SH					
17	11001544	BLACK FAUCET CONNECTOR P0049					
18	16000380	5X8,9 SILICONE TUBE	IN ROLL				
19	12001614	OR 2012 IN EPDM PEROX.FDA 70 SH					
20	11004134	TEA/BRASS FAUCET SHAFT P0049					
21	11007569	TAP ELECTRONIC CARD G0053 ASSY.					
22	11001499	FORK SPRING FOR FAUCET P0049					
23	11004625	TEA/BRASS FAUCET CASING P0049					
24	11025776	PLAST/BRASS FAUCET SHAFT V2 P0049 ASSY.					
25	NF11.052	OETIKER CLIP					
26	11001546	BLACK FAUCET STRAIGHT CONNECTOR P0049					
27	11001332	BLACK BOILER-FAUCET-VALVE SUPPORT P0049					
28	12001033	THERMOSTAT ONE SHOT 190°					
29	11001751	THERMOSTATES SPRING FOR BOILER					
30	11013735	SLIM TUB.BOILER ASSY.	230V - 1300W				
31	190800100	TEMPERATURE SENSOR NTC UL L=280MM					
32	20000591	BLOWDOWN VALVE CASING P0049 ASSY.					
33	20000592	BLOWDOWN VALVE CONNECTOR P0049 ASSY.					
34	20000590	BLOWDOWN VALVE COIL P0049 ASSY.	230V				
35	11000651	WATER LEVEL SENSOR BOARD P124					
36	11003670	BLACK TURBINE SUPPORT V2 P0049					
37	JS01.022	SILICONE TUBE 5X10 60 SHORE	IN ROLL				
38	12000781	TURBINE D=1,2 932-8521/90 ASSY.					
39	11005648	6 POLES CONNECT.LEVEL+FLOWMETER P0049 UL	230V				
40	11006296	BLACK PUMP SUPPORT P0049 ASSY.					
41	11005668	2POLES CONNECTOR PUMP P0049 UL	230V				

**Saeco**  
INTERNATIONAL GROUP

**BLACK GIRO PLUS**

TABLE 3/5



**Saeco**  
INTERNATIONAL GROUP

SUP031OR RI9755/11



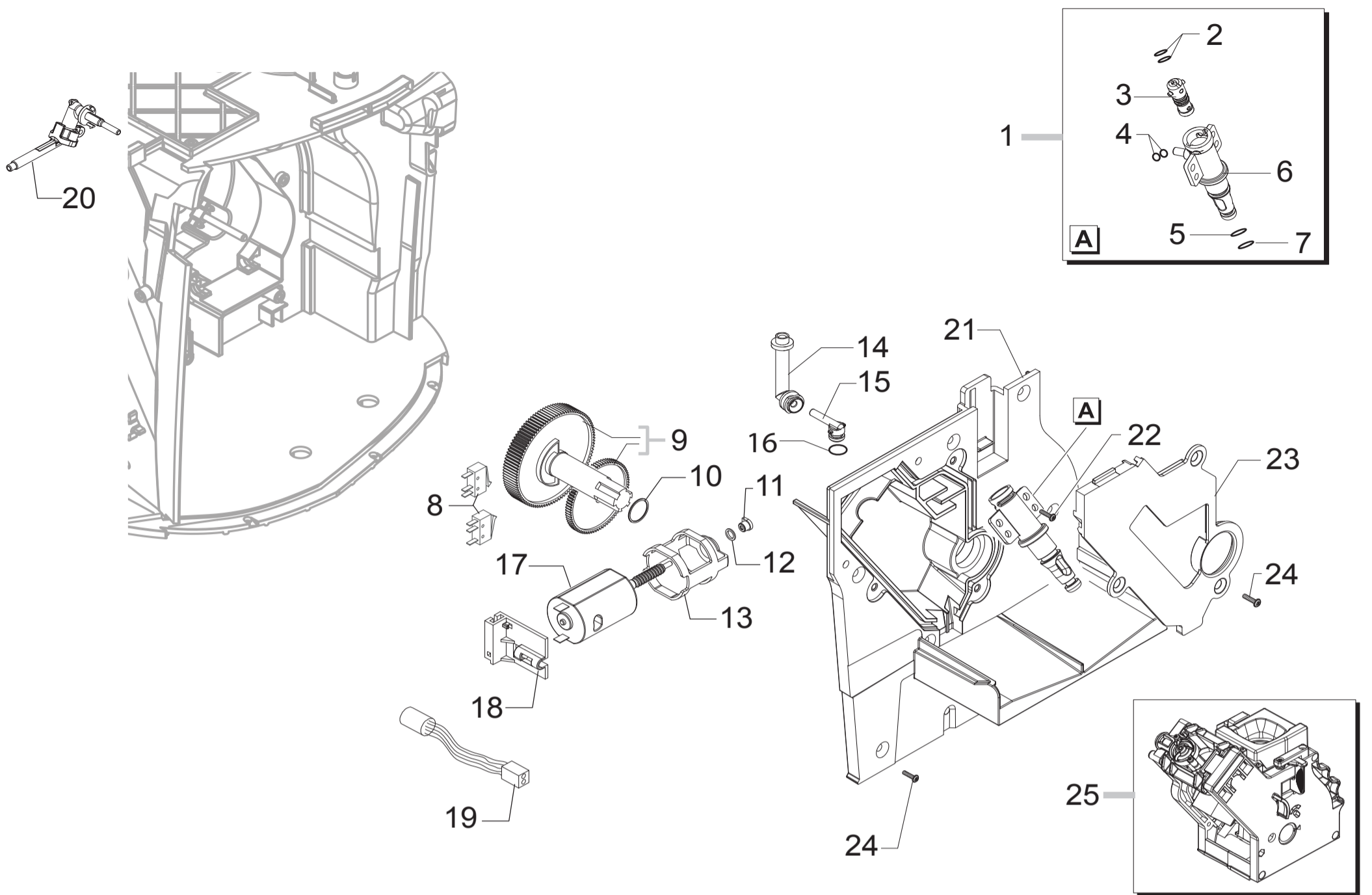
Cod.10003400

POS	CODE	DESCRIPTION	NOTE	POS	CODE	DESCRIPTION	NOTE
01	11011205	TEA ZAMA INCREASE SCREW GRINDER					
02	149198250	UPPER GRINDER SUPPORT COFFEEGRINDER					
03	140328960	NBR FDA OR METRIC 0530-15					
04	146520100	BAKED CLAY GRINDER 48X28					
05	149198350	LOWER GRINDER SUPPORT COFFEEGRINDER					
06	129574802	SCREW TCB TORX 20 M4X30 ZN-B					
07	123030300	AXIAL BEARING EKKO 342.35252					
08	140360500	FELT RING 45,4X39,4X4					
09	11026355	BLK GROUND COFF.OUTLET CONVEYOR V4 ASSY.					
10	11030459	GRY GROUND COFFEE CONT.LOWER SEAL SMART1					
11	226000300	GEAR SX Z=38 FOR GRINDER MOTION ASSY.					
12	11000513	MOTOR COFFEEGRINDER/V3.1 ASSY	230V				
13	149214800	CAP FOR WORM SCREW MC/V3 CENTRING					
14	129661702	SCREW TCB TORX 3,5X30 PLAST.ZN-B					
15	11002873	INSULATOR BUSH FOR GRINDER MOTOR P124					
16	11000597	COFFEE GRINDER SUPPORT SPRING P124					
17	11001826	SOUNDPROOFING COVER FOR COFGRINDER P0053					
18	11002508	UPPER GEAR SUPPORT COFFEEGRINDER P124					
19	11003446	BLACK INSERT FOR COFFEE GRINDER P0049					
20	11003784	COFFEE GRINDING ADJUSTMENT GEAR P0049					
21	11002572	GRINDER REGULATION SPRING P124					
22	11002613	LOWER GEAR SUPPORT COFFEEGRINDER P124					
23	142905450	UPPER BODY WITH COFFE.GROUND OUTLET					
24	128381800	CRINKLE WASHER 21,8X15,8X0,2					
25	123030200	RADIAL BEARING 61900.2RS1					
26	181540900	ELECTRONIC BOARD WITH SENSOR HAL506					
27	11001367	BLACK COFFEE GRINDER SUPPORT P0049					
28	149199050	SENSOR SUPPORT FOR COFF.GRIND.MOTOR					
29	128381902	GALVAN.FLAT WASH.DI=4,3 DE=14 SP=1,5					
30	11004199	BLACK CONDENSE CONVEYOR P0049					
31	128310402	GALV.WASHER UNI 8842 A4					
32	11005658	5POLES CONNECTOR MC SENSORS P0049 UL	230V				
33	129914002	SCREW TCB TORX 10 3,5X16 PLAST.ZN-B					
34	17001921	BLK WIRING FIX INSERT FOR GRINDER BOARD					
	11007416	GENERAL MOTOR MC V2 P0049 230V ASSY.					

**Saeco**  
INTERNATIONAL GROUP

BLACK GIRO PLUS

TABLE 4/5



**Saeco**  
INTERNATIONAL GROUP

**SUP031OR RI9755/11**



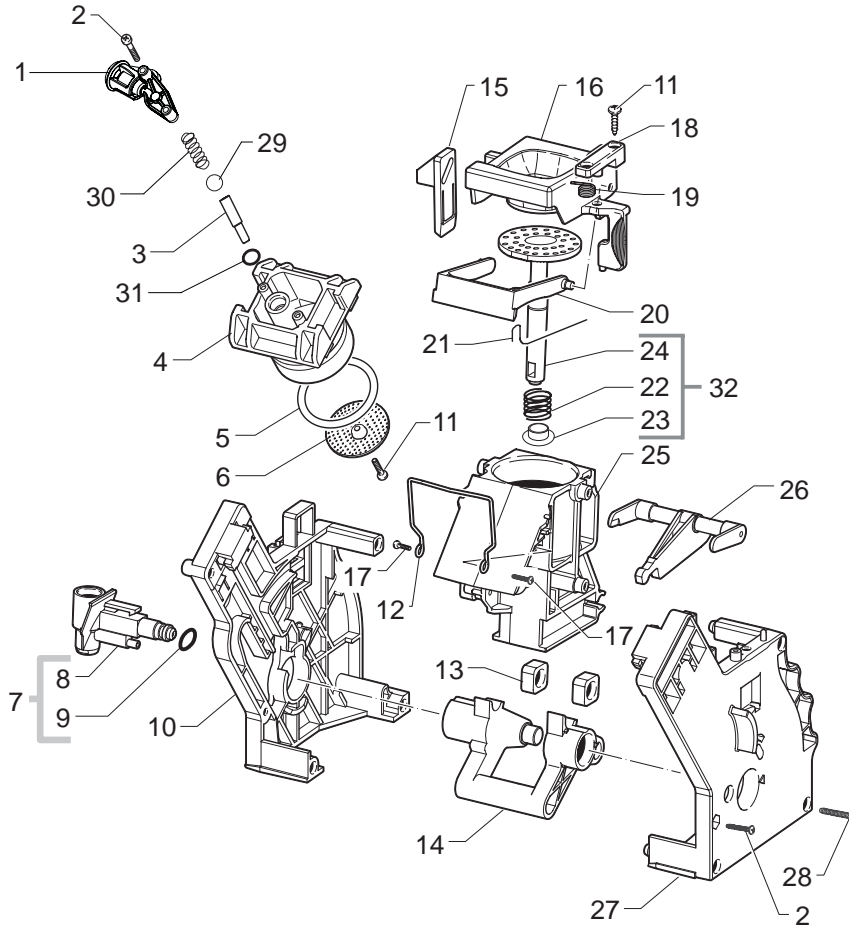
**Cod.10003400**

POS	CODE	DESCRIPTION	NOTE	POS	CODE	DESCRIPTION	NOTE
01	11005113	PIN V2 FOR BOILER P049/B ASSY.					
02	140324459	OR ORM 0060-20 IN SILICONE PTFE/FDA					
03	11003820	CAP V2 FOR PIN BOILER P119					
04	140328059	OR 2015 IN SILICONE PTFE/FDA					
05	NM01.035	OR ORM 0090-20 SILICONE					
06	11003801	NATURAL PIN V2 FOR BOILER P119					
07	NM01.057	OR ORM 0050-20 IN SILICONE					
08	NE05.038	MICROSWITCH					
09	20000900	SPARES KIT GEARS FOR RATIOMOTOR V2					
10	9161.132	MYLAR WASHER FOR RATIOMOTOR					
11	9121.046	SINTERED BUSH FOR MOTOR					
12	148380200	WASHER BAKELIZZATE D=5,5					
13	9121.044	ANTIVIBRATION FOR MOTOR					
14	11004086	VALVE DESCARGING WATER 90° CONNECTOR					
15	11003648	COVER DESCARGING WATER 90° CONNECTOR					
16	140325462	OR METRIC 0070-20 IN SILICONE					
17	11005214	MOTOR FOR RATIOMOTOR P124 ASSY.					
18	11001331	BLACK MICROSWITCH SUPPORT DUMP BOX P0049					
19	11003661	REED SENSOR MK3-1A66-BV16451					
20	11010544	V4 COFFEE DISPENSING VALVE P0049 ASSY.					
21	11006337	BLACK COVER MOUNTING PLATE P0049 ASSY.					
22	129914002	SCREW TCB TORX 10 3,5X16 PLAST.ZN-B					
23	11001312	BLACK COVER FOR VAIN BOILER P0049					
24	129914102	SCREW TSP TORX 10 3,5X12 PLAST.ZN-B					
25	11012382	BLACK BREW UNIT 8GR.5BAR P0057					
		<b>SEE EXP. COD. E90067 NEXT PAGE</b>					

**Saeco**  
INTERNATIONAL GROUP

**BLACK GIRO PLUS**

TABLE 5/5



POS	CODE	DESCRIPTION	NOTE	POS	CODE	DESCRIPTION	NOTE
01	11009362	BLACK COFFEE OUTLET SLEEVE S0053 ASSY.					
02	12000550	SCREW TCB TORX 10 3X25 PLAST.SS					
03	11009276	TUBE FOR COUNTER PISTON BREW UNIT S0053					
04	11001840	BLACK COUNTER PISTON BREW UNIT 8GR.P124					
05	NM01.044	OR ORM 0320-40 SILICONE PTFE/FDA					
06	9161.268	PERCOLATOR DE=35,8 ELFO					
07	20000440	BLACK SPARE SLEEVE UNIT					
08	9161.064.050	BLACK WATER INLET SLEEVE BREW UNIT					
09	NM02.007	OR 2025 TERMOIL					
10	9161.375.050	BLACK REAR PLATE FOR BREW UNIT SMART					
11	12000895	SCREW TSP TORX 10 3X10 PLAST.SS					
12	11001556	SPRING H=49 FOR COFFEE BREW UNIT SMART					
13	9161.094.150	GREY DRILLED BLOCK BREW UNIT					
14	9161.066.050	ELBOW SHAFT FOR UNIT BLACK					
15	9161.373.050	BLACK COUPLING PLATE BREW UNIT SMART					
16	149261350	BLACK HOPPER DOSER BREW UNIT SMART1					
17	129912521	SCREW TCB TORX 10 3,5X14 PLAST.SS					
18	9161.374.050	BLACK HOPPER BLOCKING PLATE UNIT SMART					
19	9161.378	SPRING HOPPER SMART BREW UNIT					
20	11004161	BLACK SCRAPER FOR COFFEE UNIT					
21	9161.046	SPRING FOR UNIT SCRAPER					
22	9161.198	PISTON SPRING BREW UNIT M5000					
23	9161.191	NEUTRAL PISTON BUSH BREW UNIT M5000					
24	11003077	BLACK INTEGRAL PISTON UNIT P124 8GR.ASS					
25	11003075	BLACK COFFEE CONTAINER BREW UNIT P124	WITH PART. N° 12				
26	11003078	BLACK CONNECTING ROD FOR UNIT P124 8GR.					
27	11005920	BLACK FRONT PLATE BREW UNIT SMART S.SCR.					
28	12000897	SCREW TCB TORX 10 3,5X20 PLAST.SS					
29	9991.168	GLASS SPHERE D.5MM					
30	11012095	SPRING FOR COUNTERPISTON UNIT S0053					
31	140328761	OR METRIC 0060-15 IN TERMOIL					
32	11023086	BLK 8GR.BREW UNIT NTEGR.PISTON GEN.ASSY.					
	11012382	BLACK BREW UNIT 8 GR.5 BAR S0053					