

Saeco
INTERNATIONAL GROUP

SUP031OR RI9753/47-RI9754/01-02-21-22-41
RI9754/43-47-RI9755/21-22-47-
RI9757/01-03-47



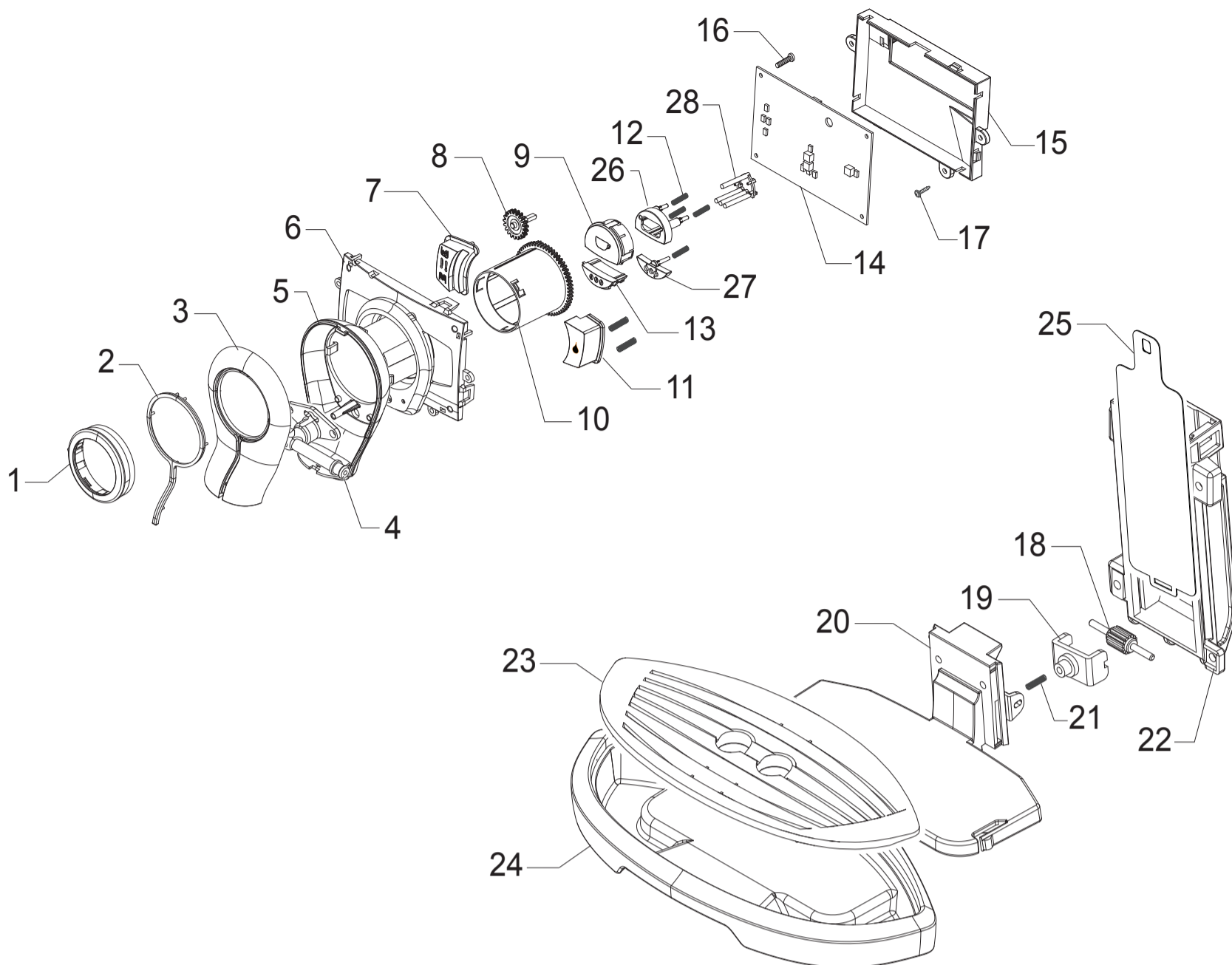
Cod.10002687-88-89-2743-44-45-2805-06-07
Cod.10002808-09-25-30-36-37-58-59-2962-
Cod.10003059-82-3222-3490-3695-3872-3960

POS	CODE	DESCRIPTION	NOTE	POS	CODE	DESCRIPTION	NOTE
01	15002124 15002125 15002126 15002127 15002178 15002179 15002180 15003000 15003001	MANUAL V4 SAE P0049/B SUP031OR D/I MANUAL V4 SAE P0049/B SUP031OR E/P MANUAL V4 SAE P0049/B SUP031OR GB/F MANUAL V4 SAE P0049/B SUP031OR NL/PL MANUAL V4 SAE P0049/B SUP031OR GB/CHN MANUAL V4 SAE P0049/B SUP031OR GB/JAP MANUAL V4 SAE P0049/B SUP031OR GB/KOR MANUAL V5 SAE P0049/B SUP031OR GB/F MANUAL V5 SAE P0049/B SUP031OR E/P	GO PLUS GO PLUS	23	11004412 11010670 11013871 11003533 11030318 11030321 11030327 11030315 11030326 12000280 11007060	MATTONE LEFT SIDE CASING P0049 VANILLA LEFT SIDE CASING P0049 SPECCHIATO LEFT SIDE CASING P0049 BLACK DUMP BOX P0049 ASSY. CARBONA COFFEE UNIT DRIP TRAY V2 P0049 MATTONE COFFEE UNIT DRIP TRAY V2 P0049 TITANIO COFFEE UNIT DRIP TRAY V2 P0049 VANILLA COFFEE UNIT DRIP TRAY V2 P0049 SPECCHIATO COFF.UNIT DRIP TRAY V2 P0049 CUP SOCKET EN 60320 C 13 GENERAL SWITCH FOR P124	
02	11003889	2POLES CONNECTOR SENSOR REED DOOR P0049		24	11004591	CARBONA WATER TANK OUTLET COVER P0049	
03	11003785	BLACK GRINDER ADJUSTMENT KEY P0049		25	11004393 11004415 11010692 11013874	TITANIO WATER TANK OUTLET COVER P0049 MATTONE WATER TANK OUTLET COVER P0049 VANILLA WATER TANK OUTLET COVER P0049 SPECCH. WATER TANK OUTLET COVER P0049	
04	183911050 183930650 183921950 183940650 183980650 11004245 11004246 11004247 11001985	POWER CABLE SCHUKO BLACK L=1200 PO.CABL.CH BLACK 3X1 H05VV-F L=1200 POWER CABLE SJT3 USA BLACK UL L=1200 BLACK POWER CABLE AUSTRALIA L=1200 POWER CABLE JAPPON VCTF BLACK L=1200 MM BLACK POWER CABLE BRAZIL W/CONNECT.L=1200 BLACK POWER CABLE TAIWAN HVCTF L=1200 BLACK POWER CABLE RVV 3X 1 CHINA L=1200MM BLACK POWER CABLE KOREA 3X1 L=1200	SEE PART.N°50	26	11010691 11013872 11001091 11009283	TRANSPAR.BEAN CONTAINER V2 P0049 NATUR/GREY BEAN COFF.CONT.LID P0049 ASSY BLACK POWER BOARD PROTECTION V2 P0049 PWR BOARD V2 P0053 PWR BOARD P0049/P0053 MAGNET FOR FLOAT SUPERAUTOM. SS SPRING FOR LOCK DOOR G0053	230V 100V-120V
05		PARTICULAR NOT AVAILABLE UP TO S/N. 9009SA40111759	SEE PART.N°50	27	11001340 11004578 11004391 11004413 11010691 11013872	BLACK DOOR PIN P0049 CARBONA DOOR P0049 TITANIO DOOR P0049 MATTONE DOOR P0049 VANILLA DOOR P0049 SPECCHIATO DOOR P0049	
06		PARTICULAR NOT AVAILABLE UP TO S/N. 9009SA40111759	SEE PART.N°50	28	11004592 11004055 11004540 11010671 11004072 11011129	BLACK INSIDE COVER DOOR P0049 BLACK INSIDE COVER DOOR P0049 UL CARBONA ON-OFF BUTTON INSERT P0049 TITANIO ON-OFF BUTTON INSERT P0049 MATTONE ON-OFF BUTTON INSERT P0049 VANILLA ON-OFF BUTTON INSERT P0049 SPECCHITO ON-OFF BUTTON INSERT P0049 SPECCHIATO ON-OFF SWITCH BUTTON P0049	
07		PARTICULAR NOT AVAILABLE UP TO S/N. 9009SA40111759	SEE PART.N°50	29	129913202	SCREW TCB TORX 10 3X8 PLAST.ZN-B	
08	11001746	NATUR/GREY WATER CONTAINER P0049 ASSY.		30	11001339	TRANSPARENT INFRAREDS PLATE P0049	
09	224640200	EXTERNAL FILTER FOR WATER CONTAINER ASSY	WITH PART.N°10	31	NF11.084	FOLK SPRING	
10	140328461	EPDM OR METRIC 0190-10		32	11001624 11005287 11003154 11028379 129661702	STEAM TUBE WASHER P0049 BLACK BUSH FOR STEAM KNOB BLACK REED SENSOR SUPPORT P0049 PSA KLUBER TRIBOSTAR SIL 2 TUBE 5GR. SCREW TCB TORX 3,5X30 PLAST.ZN-B	
11	11003672	SPRING FOR WATER CONTAINER VALVE P0049		33	11006567 11007234	LWR INSULATE SHEET PWR ELECT.BOARD P0053 UPP.INSULATE SHEET PWR ELECT.BOARD P0053	(ONLY 120V) (ONLY 120V)
12	11003673	GREY WATER CONTAINER VALVE INSERT P0049		34	20006675	KIT SPARES FOR PACKAGING V3 P0049	
13	11003671	TRANSP.VALVE FOR WATER CONTAINER P0049		35		FROM S/N. 9009SA40111760	
14	11001298	BLACK LID FOR DUCKBILL VALVE P0049		36			
15	11001308	NATURAL/GREY WATER CONTAINER LID P0049		37			
16	11030061 11030062	MOUNTING PLATE W/PIN V3 P0049 ASSY. MOUNTING PLATE W/PIN V3 P0049 UL ASSY.		38			
17	11000223	BLACK WHEEL FOR CASING BOTTOM P124		39			
18	11013549 11013548	SPECCHIATO CASING COVER V3 P0049 WHITE CASING COVER V3 P0049		40			
19	11010717 11010693	SPECCHIATO WATER-STEAM KNOB P0049 CHROMED WATER-STEAM KNOB P0049		41			
20	11004142	SILVER PLATE LOGO SAECO NEW P0049/P0053		42			
21	11004908 11004909 11027202	BLACK PLATE WITH LOGO ODEA P0049 GIRO BLACK PLATE W/LOGO ODEA P0049 GIRO PLUS BLACK PLATE W/LOGO ODEA P0049 GO PLUS		43			
22	11004575 11004389 11004411 11010667 11013870	CARBONA RIGHT SIDE CASING P0049 TITANIO RIGHT SIDE CASING P0049 MATTONE RIGHT SIDE CASING P0049 VANILLA RIGHT SIDE CASING P0049 SPECCHIATO RIGHT SIDE CASING P0049		44			
23	11004576 11004390	CARBONA LEFT SIDE CASING P0049 TITANIO LEFT SIDE CASING P0049		45			

Saeco
INTERNATIONAL GROUP

ODEA GIRO V2

TABLE 1/5



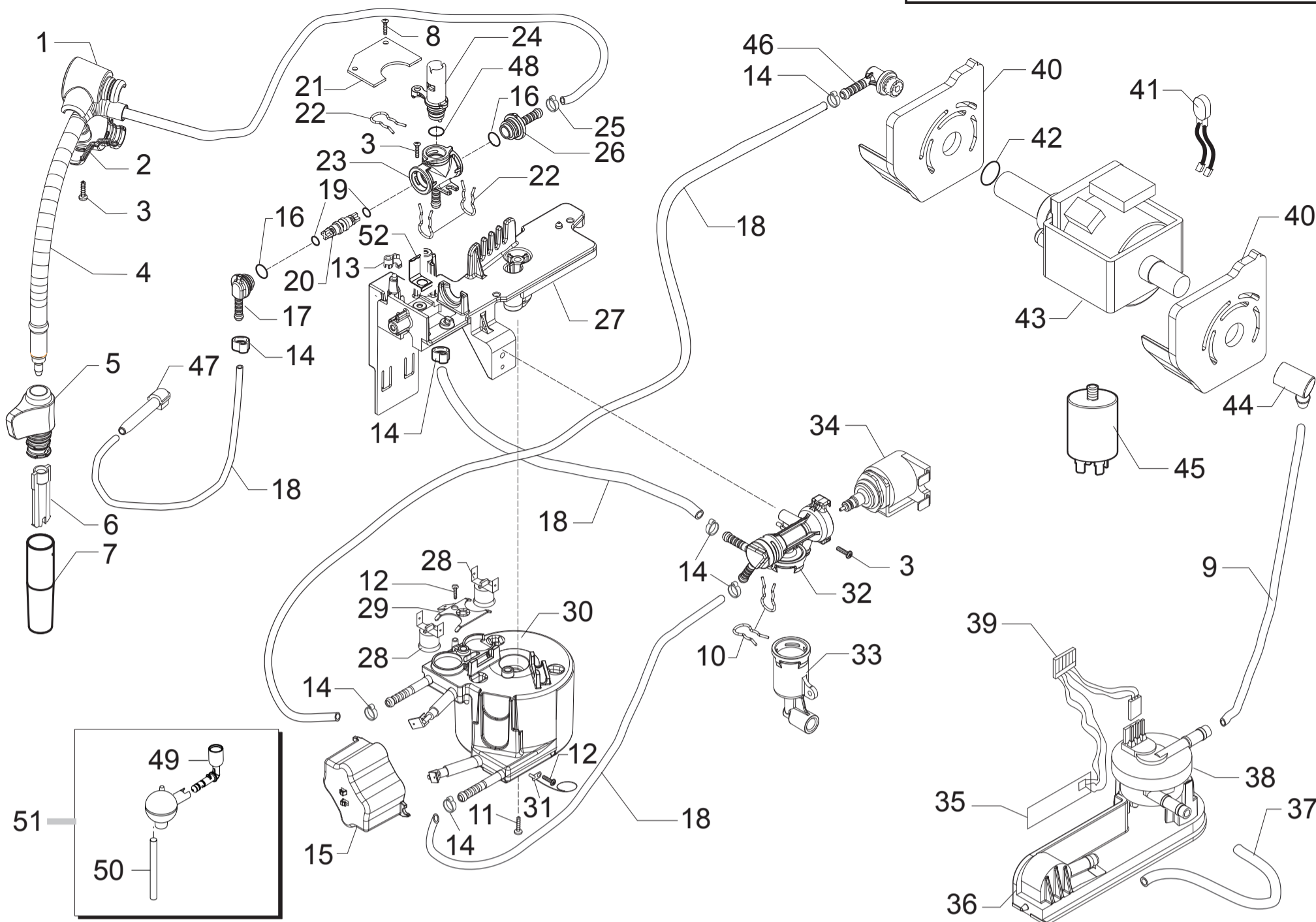
SUP031OR RI9753/47-RI9754/01-02-21-22-41
RI9754/43-47-RI9755/21-22-47-
RI9757/01-03-47



Cod.10002687-88-89-2743-44-45-2805-06-07
Cod.10002808-09-25-30-36-37-58-59-2962-
Cod.10003059-82-3222-3490-3695-3872-3960

POS	CODE	DESCRIPTION	NOTE	POS	CODE	DESCRIPTION	NOTE
01	11011220	SPECCHIATO HEIGHT REGULATION NUT P0049					
	11004100	CHROMED HEIGHT REGULATION NUT P0049					
02	11001788	AMBRA COFFEE DISPENSER LENS P0049					
03	11011223	SPECCH.FRONT COF.DISPENSER COVER P0049					
04	11001772	BLACK INNER CASING COFF.DISPENSER P0049					
05	11011221	SPECCHIAT.REAR COF.DISPENSER COVER P0049					
06	11011224	SPECCHIATO SUPPORT ELECTR.CARD P0049					
07	11001351	BLACK BUTTON FOR ALLARMS P0049					
08	11001320	BLACK GEAR Z=19 FOR P0049					
09	11001354	BLACK COFFEE BUTTON P0049/B					
	11004388	CARBONA COFFEE BUTTON S/SCR.P0049/A					
10	11001314	BLACK SUPPORT FOR RING NUT P0049					
11	11001352	BLACK WATER BUTTON P0049					
12	11001363	SPRING FOR BUTTONS P0049					
13	11001355	BLACK COFFEE DOSE BUTTON P0049/B					
14	20003340	KIT SPARES CPU+SW V2 P0049 ASSY					
15	11001299	BLACK SUPPORT ELECTR.CARD CPU P0049.					
16	129913202	SCREW TCB TORX 10 3X8 PLAST.ZN-B					
17	12000450	SCREW TCB TORX 10 3,5X12 PLAST.GALVANIZ					
18	11001758	PIN WITH BLACK INSERT ASSY.P0049					
19	11001335	BLACK PIN INSERT FOR DRIP TRAY P0049					
20	17002054	BLACK DRIP TRAY SUPPORT V2 P0049					
21	11001364	MOVE DRIP TRAY SPRING P0049					
22	11001294	BLACK DRIP TRAY GUIDE P0049					
23	11011128	SPECCHIATO GRATE FOR DRIP TRAY P0049					
24	11009633	CARBONA DRIP TRAY P0049					
25	11007037	SPECCHIATO DRIP TRAY PROTECTION V2 P0049					
26	11001350	BLACK COFFEE BUTTON SPACER P0049/B					
	11001334	BLACK COFFEE BUTTON SPACER P0049/A	USA UL				
27	11001309	BLACK SPACER FOR COFF.DOSE BUTTON P0049					
28	11001291	TRANSPARENT CAP LED COVER P0049					





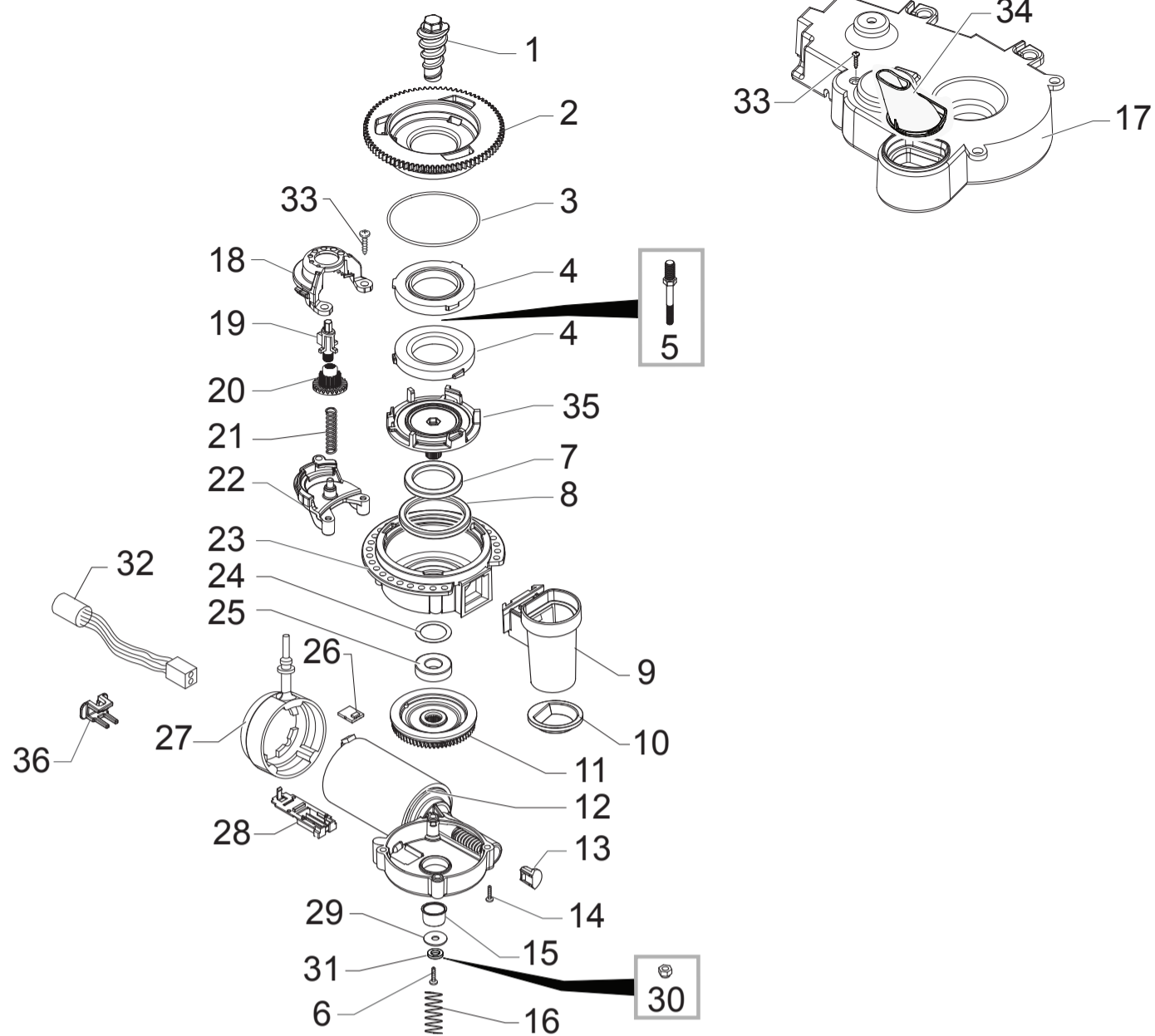
SUP031OR RI9753/47-RI9754/01-02-21-22-41
RI9754/43-47-RI9755/21-22-47-
RI9757/01-03-47



Cod.10002687-88-89-2743-44-45-2805-06-07
Cod.10002808-09-25-30-36-37-58-59-2962-
Cod.10003059-82-3222-3490-3695-3872-3960

POS	CODE	DESCRIPTION	NOTE	POS	CODE	DESCRIPTION	NOTE
01	11004196	CHROMED UPPER STEAM TUBE COVER P0049		34	20000681	BLOWDOWN VALVE COIL P0049 ASSY.	100V
02	11004197	CHROMED LOWER STEAM TUBE COVER P0049			20000920	BLOWDOWN VALVE COIL P0049 ASSY.	220V-60HZ
03	129913902	SCREW TCB TORX 10 3X12 PLAST.ZN-B		35	11000651	WATER LEVEL SENSOR BOARD P124	
04	11022486	TF/CHROM.STEAM TUBE V2 P0049/P0053 ASSY.		36	11003670	BLACK TURBINE SUPPORT/V2 P0049	
05	11001625	STEAM TUBE HANDGRIP P0049		37	JS01.022	SILICONE TUBE 5X10 60 SHORE	IN ROLL
06	11001620	BLACK PANNARELLO INTERNAL TUBE P0049		38	12000781	TURBINE D=1,2 932-8521/90 ASSY.	
07	11001769	BLACK COVER PANNARELLO P0049		39	11005648	6 POLES CONNE.LEVEL+FLOWMETER P0049 UL	100V±230V
	11001621	SS PANNARELLO COVER P0049		40	11006296	BLACK PUMP SUPPORT P0049 ASSY.	
08	129913202	SCREW TCB TORX 10 3X8 PLAST.ZN-B		41	11005668	2POLES CONNECTOR PUMP P0049 UL	100V±230V
09	149360200	SILICONE TUBE 5X8 70SR	IN ROLL	42	140321961	OR 2031 IN TERMOIL	
10	11005096	FORK SPRING FOR VALVE P0049		43	12000140	ULKA PUMP EP5/S GW	230V-50HZ
11	129932502	GALVANIZDE SELF DRILLING SCREW 5X30			12000130	ULKA PUMP EP5/S GW	100V-50/60HZ
12	12001715	SCREW TCB TORX 20 M4X8 AUTOFORMING ZN-B			12000142	ULKA PUMP EAP5/S	120V-60HZ
13	11008876	BRASS FAUCET BLOCK INSERT P0049/A			12000182	ULKA PUMP EP5/S GW	220V-60HZ
14	12000892	TECNOFIX CLAMP D=9,5 16700004		44	147920150	90°CONNECTOR PUMP INLET	
15	11005284	BLACKBOIL. CONNECTORS COVER P0049/P0053		45	12000005	ANTIDISTURB FILTER 10A FNC 1005474103P	230V
16	12001613	OR 108 IN EPDM PEROX.FDA 70 SH			12000007	ANTIDISTURB FILTER 16A F.NC.16.10.474.472.P	120V
17	11001544	FAUCET CONNECTOR P0049			12001363	QUICK-LOCK ANTIDISTURB FILTER 16A	100V
18	16000380	5X8,9 SILICONE TUBE	IN ROLL	46	11001054	90°CONNECTOR PUMP OUTLET P0049/B	
19	12001614	OR 2012 IN EPDM PEROX.FDA 70 SH		47	11001630	MILK ISLAND DESCARGING WATER CONNECT.	
20	11004134	BRASS FAUCET SHAFT P0049		48	12001615	OR 2025 IN EPDM PEROSS.FDA 70 SH	
21	11007569	TAP ELECTRONIC CARD G0053 ASSY.		49	11010217	BLACK CONNECT.FOR CAPPUCIN.P0049 ASSY	
22	11001499	FORK SPRING FOR FAUCET P0049		50	149360400	TRANSPARENT SILCONE TUBE 3,5X6	IN ROLL
23	11004625	TEA/BRASS FAUCET CASING P0049		51	11010494	BLACK GEN.SPHERICAL CAPP.P0049 ASSY	
24	11025776	PLAST/BRASS FAUCET SHAFT V2 P0049 ASSY.		52	11002957	SS.FAUCET FOR SPRING P0049	
25	NF11.052	OETIKER CLIP			11025775	AS.RUB.V2 P0049-P0053 OT/TEA	
26	11001546	FAUCET STRAIGHT CONNECTOR P0049				WITH PART. N°16-17-19-20-22-23-24-26-48	
27	11001332	SUPPORT FOR BOILER-FAUCET-VALVE P0049			11001543	BLOWDOWN VALVE P0049 230V ASSY.	
28	189428600	THERMOSTAT 175° 1NT-08L-5125			11005604	BLOWDOWN VALVE P0049 120V ASSY.	
		UP TO S/N.9008SA40365462	(ONLY FOR 120V)		11005751	BLOWDOWN VALVE P0049 100V ASSY.	
	12001034	THERMOSTAT ONE SHOT 175°			11009021	BLOWDOWN VALVE P0049 220V-60HZ ASSY.	
		FROM S/N.9008SA40365463	(ONLY FOR 120V)			WITH PART. N°10-32-33-34	
29	11001751	THERMOSTATES SPRING FOR BOILER			11002031	ALUM.BOILER P0049/C 230V ASSY.	COMPLETE
30	11011341	ALUM.BOILER/V4 ASSY.	220V±230V-1300W		11005776	ALUM.BOILER P0049/C 120V ASSY.	COMPLETE
	11011342	ALUM.BOILER/V4 ASSY.	120V-1300W		11005777	ALUM.BOILER P0049/C 100V ASSY.	COMPLETE
	11005609	ALUM.BOILER/V3 ASSY.	100V-1300W		11009110	ALUM.BOILER P0049/C 220V-60HZ ASSY.	COMPLETE
31	190800100	TEMPERATURE SENSOR NTC UL L=280MM					
32	20000591	BLOWDOWN VALVE CASING P0049 ASSY.					
33	20000592	BLOWDOWN VALVE CONNECTOR P0049 ASSY.					
34	20000590	BLOWDOWN VALVE COIL P0049 ASSY.	230V				
	20000680	BLOWDOWN VALVE COIL P0049 ASSY.	120V				





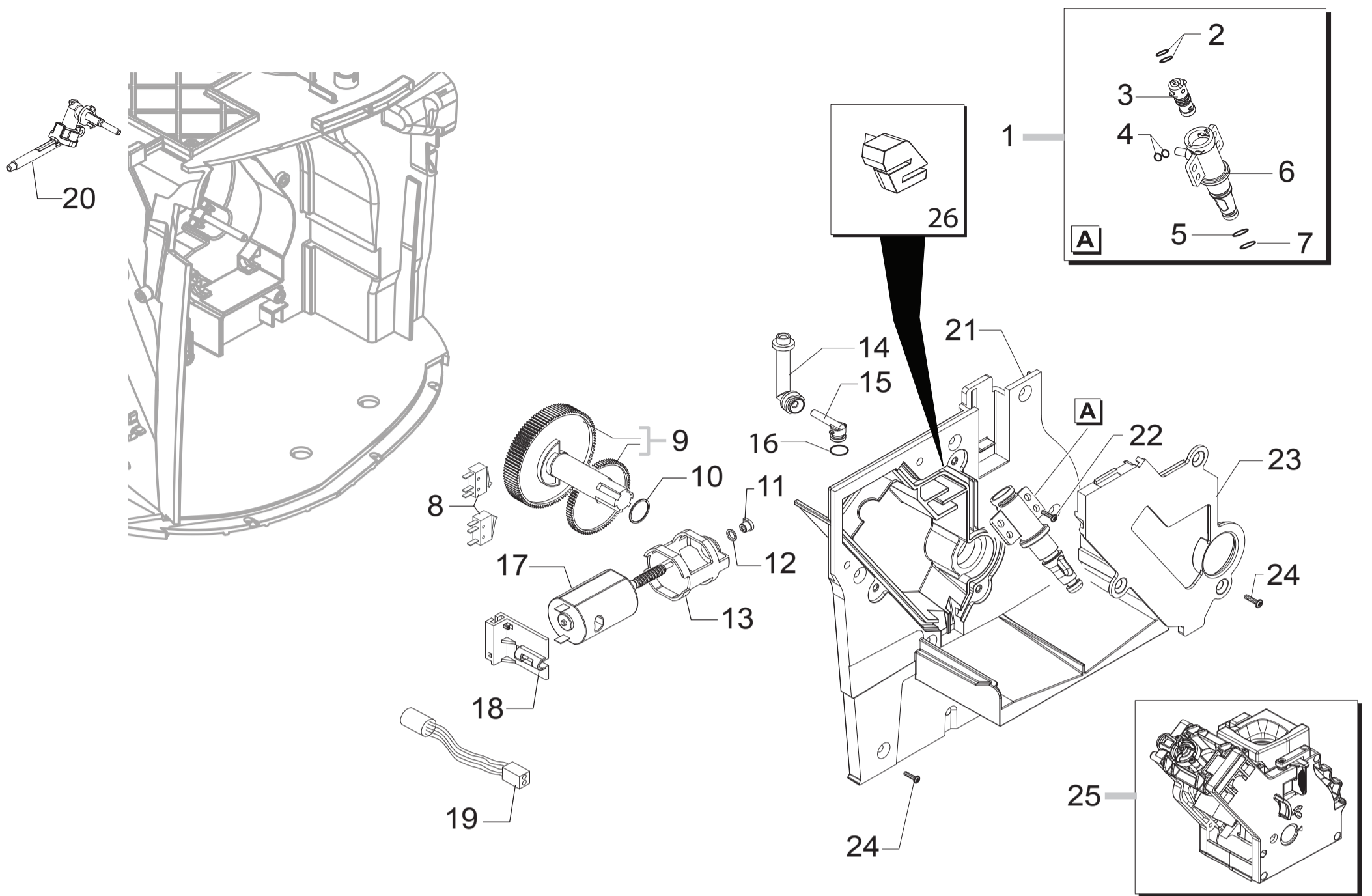
SUP031OR RI9753/47-RI9754/01-02-21-22-41
RI9754/43-47-RI9755/21-22-47-
RI9757/01-03-47



Cod.10002687-88-89-2743-44-45-2805-06-07
Cod.10002808-09-25-30-36-37-58-59-2962-
Cod.10003059-82-3222-3490-3695-3872-3960

POS	CODE	DESCRIPTION	NOTE	POS	CODE	DESCRIPTION	NOTE
01	9141.001	BRASS INCREMENT SCREW MC		32	11005658	5POLES CONNECTOR MC SENSORS P0049 UL	100V±230V
	11011205	TEA/ZAMA INCREASE SCREW GRINDER		33	129914002	SCREW TCB TORX 10 3,5X16 PLAST.ZN-B	
		FROM S/N. 9008SA40315751		34	11004199	CONVOGLIAT.CONDENSEA GRUP.CAF.P0049 NER	
02	149198250	UPPER GRINDER SUPPORT COFFEEGRINDER		35	149198350	LOWER GRINDER SUPPORT COFFEEGRINDER	
03	140328960	NBR FDA OR METRIC 0530-15		36	17001921	BLK WIRING FIX INSERT FOR GRINDER BOARD	
04	146520100	BAKED CLAY GRINDER 48X28			11007416	GENERAL MOTOR MC V2 P0049 230V ASSY.	
05	127473603	STEEL PIN M4-M6 FOR INCREMENT SCREW			11007417	GENERAL MOTOR MC V2 P0049 120V ASSY.	
		UP TO S/N. 9008SA40315750			11007418	GENERAL MOTOR MC V2 P0049 100V ASSY.	
06	129574802	SCREW TCB TORX 20 M4X30 ZN-B					
		FROM S/N. 9008SA40315751					
07	123030300	AXIAL BEARING EKKO 342.35252					
08	140360500	FELT RING 45,4X39,4X4					
09	11026355	BLK GROUND COFF.OUTLET CONVEYOR V4 ASSY.					
10	11030459	GRY GROUND COFFEE CONT.LOWER SEAL SMART1					
11	226000300	GEAR SX Z=38 FOR GRINDER MOTION ASSY.					
12	11000513	MOTOR COFFEEGRINDER/V3.1 DOMEL ASSY	230V				
	11000511	MOTOR COFFEEGRINDER/V3.1 DOMEL ASSY	120V				
	11000512	MOTOR COFFEEGRINDER/V3.1 DOMEL ASSY	100V				
13	149214800	CAP FOR WORM SCREW MC/V3 CENTRING					
14	129661702	PANELVIT TCB SCREW 3,5X25 D.7505 ZN					
15	11002873	INSULATOR BUSH FOR GRINDER MOTOR P124					
16	11000597	COFFEE GRINDER SUPPORT SPRING P124					
17	11001826	SOUNDPR. COVER FOR COFGRINDER P0053					
18	11002508	UPPER GEAR SUPPORT COFFEEGRINDER P124					
19	11003446	BLACK INSERT FOR COFFEE GRINDER P0049					
20	11003784	COFFEE GRINDING ADJUSTMENT GEAR P0049					
21	11002572	GRINDER REGULATION SPRING P124					
22	11002613	LOWER GEAR SUPPORT COFFEEGRINDER P124					
23	142905450	UPPER BODY WITH COFFE.GROUND OUTLET					
24	128381800	CRINKLE WASHER 21,8X15,8X0,2					
25	123030200	RADIAL BEARING 61900.2RS1					
26	181540900	ELECTRONIC BOARD WITH SENSOR HAL506					
27	11001367	BLACK COFFEE GRINDER SUPPORT P0049					
28	149199050	SENSOR SUPPORT FOR COFF.GRIND.MOTOR					
29	128381902	GALVAN.FLAT WASH.DI=4,3 DE=14 SP=1,5					
30	123453102	SELF LOCK NUT M4 DIN 982 HIGH GALV.					
		UP TO S/N. 9008SA40315750					
31	128310402	GALV.WASHER UNI 8842 A4					
		FROM S/N. 9008SA40315751					





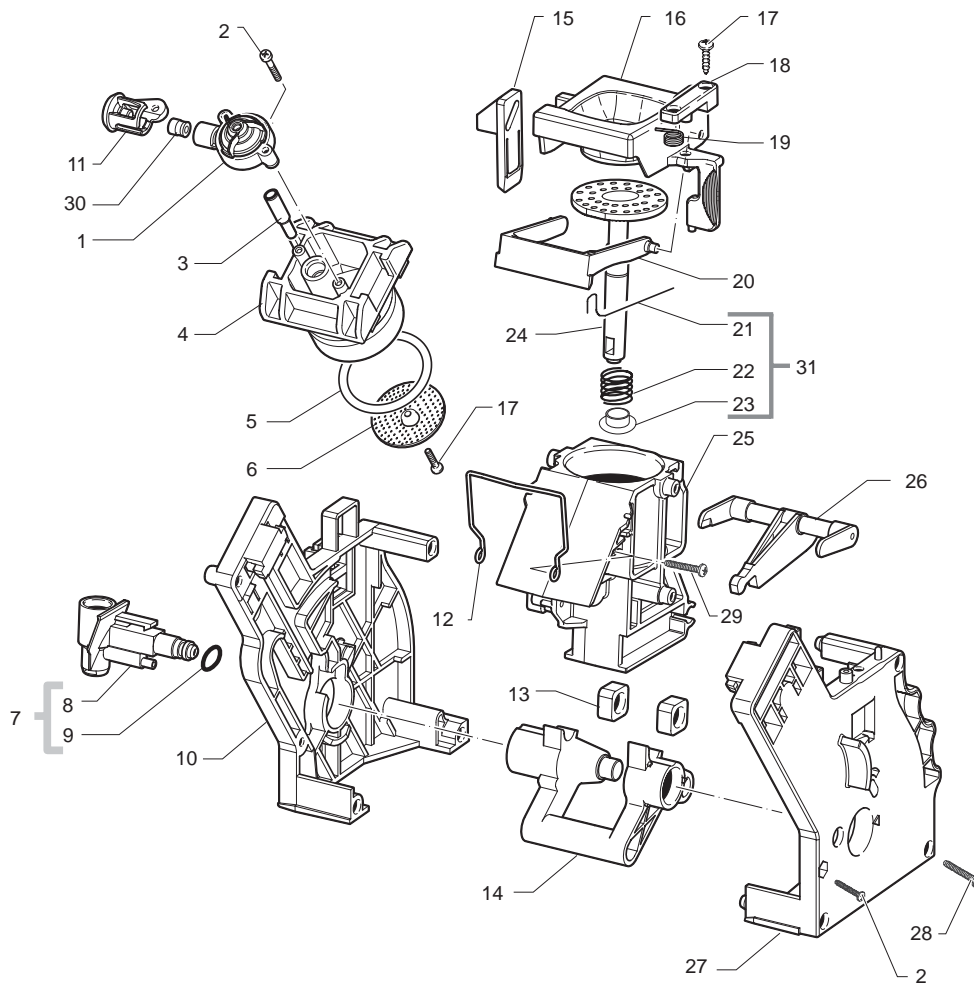
SUP031OR RI9753/47-RI9754/01-02-21-22-41
RI9754/43-47-RI9755/21-22-47-
RI9757/01-03-47



Cod.10002687-88-89-2743-44-45-2805-06-07
Cod.10002808-09-25-30-36-37-58-59-2962-
Cod.10003059-82-3222-3490-3695-3872-3960

POS	CODE	DESCRIPTION	NOTE	POS	CODE	DESCRIPTION	NOTE
01	11005113	PIN V2 FOR BOILER P049/B ASSY.		25	11002145	BLACK BREW UNIT 8GR. P124/SBS SEE EXP. COD.E90042 NEXT PAGE UP TO S/N.9008SA40436654	ALL COUNTRIES
02	140324459	OR ORM 0060-20 IN SILICONE PTFE/FDA					
03	11003820	CAP V2 FOR PIN BOILER P119					
04	140328059	OR 2015 IN SILICONE PTFE/FDA					
05	NM01.035	OR ORM 0090-20 SILICONE			11012382	BLACK BREW UNIT 8GR.5BAR P0057 SEE EXP. COD.E90067 LAST PAGE UP TO S/N.9008SA40436654 WITH COD.11010544 FROM S/N.9008SA40436655 ONE BY ONE	ONLY CH ONLY CH
06	11003801	PIN V2 FOR BOILER P119					
07	NM01.057	OR ORM 0050-20 SILICONE					
08	NE05.038	MICROSWITCH					
09	20000900	SPARES KIT GEARS FOR RATIOMOTOR V2					
10	9161.132	MYLAR WASHER FOR RATIOMOTOR					
11	9121.046	SINTERED BUSH FOR MOTOR					
12	148380200	WASHER BAKELIZZATE D=5,5		26	11022216	BLACK MOUNTING PLATE COVER PROTECT.P0049	OTHER COUNTRIES OTHER COUNTRIES
13	9121.044	ANTIVIBRATION FOR MOTOR					
14	11004086	VALVE DESCARGING WATER 90° CONNECTOR					
15	11003648	COVER DESCARGING WATER 90° CONNECTOR					
16	140325462	OR METRIC 0070-20 IN SILICONE					
17	11005214	MOTOR FOR RATIOMOTOR P124 ASSY.					
18	11001331	BLACK MICROSWITCH SUPPORT DUMP BOX P0049					
19	11003661	REED SENSOR MK3-1A66-BV16451					
20	11007647	V3 COFFEE DISPENSING VALVE P0049 ASSY. UP TO S/N.9008SA40436654	ALL COUNTRIES				
	11010544	V4 COFFEE DISPENSING VALVE P0049 ASSY. UP TO S/N.9008SA40436654 WITH KIT COD.20005362 FROM S/N. 9008SA40436655 ONE BY ONE	ONLY CH ONLY CH				
		UP TO S/N. 9009SA40039603 WITH KIT COD.20005362 FROM S/N.9009SA40039604 ONE BY ONE	OTHER COUNTRIES OTHER COUNTRIES				
21	11006337	BLACK COVER MOUNTING PLATE P0049 ASSY.					
	11009287	BLACK COVER MOUNTING PLATE P0049 UL ASSY					
22	129914002	SCREW TCB TORX 10 3,5X16 PLAST.ZN-B					
23	11001312	BLACK COVER FOR VAIN BOILER P0049					
	11009284	BLACK COVER FOR VAIN BOILER P0049 UL					
24	129914102	SCREW TSP TORX 10 3,5X12 PLAST.ZN-B					





Saeco
INTERNATIONAL GROUP

GRUPPO CAFFE' PRIMEA-TALEA-ODEA



Cod. 11002145

POS	CODICE	DESCRIZIONE	NOTE
01	11010660	AS.VALVOLA SAECO BREWING SYSTEM STD	
02	12000550	VITE TCB 3X25 PLAST.INOX	
03	11009276	TUBO X CONTROPIST.GRUPPO S0053 NERO	
04	11001840	CONTROPISTONE GRUPPO P124 8GR. NERO	
05	NM01.044	OR ORM 0320-40 IN SILICONE PTFE/FDA	
06	9161.268	DOCCIA DE=35,8 ELFO	
07	20000440	AS.MANICOT.ENTRATAACQUA GRUP.CAFF.NER.	
08	9161.064.050	MANICOT.ENTRATAACQUA GRUP.CAFF.NER.	
09	NM02.007	OR 2025 TERMOIL	
10	9161.375.050	PIASTRA POSTERIORE GRUPPO SMART NERO	
11	145899250	INSERTO CENTRAGGIO RAC.USCITA CAF.P124	
12	11001556	MOLLA RASATORE H=49 X GRUPPO CAF.SMART	
13	9161.094.150	BLOCCHETTO FORATO GRUP.CAFFE' PA/GRIGIO	
14	9161.066.050	ALBERO A GOMITO X GRUPPO NERO	
15	9161.373.050	PIASTRINA AGGANCIO GRUP.CAF.SMART NERO	
16	149261350	TRAMOGGIA GRUPPO CAFFE' SMART1 NERO	
17	12000895	VITE TSP 3X10 PLAST.INOX	
18	9161.374.050	PIASTRA FISS.TRAMOG. GRUP.CAF.SMART NERO	
19	9161.378	MOLLA TRAMOGGIA GRUPPO CAFFE' SMART	
20	11004161	RASATORE X GRUPPO CAFFE' NERO	
21	9161.046	MOLLA X RASATORE GRUPPO	
22	9161.198	MOLLA PISTONE GRUPPO CAFFE' 8GR.ACC.	
23	9161.191	BOCCOLA PISTONE GRUP.CAF.8GR.-12GR.BIA.	
24	11003077	AS.PISTONE INTEGRALE GRUP.CAF.8GR.NER.	
25	11003075	AS.CONT.CAF.C/BOCC.SALD.GRUP.P124 8G.NER	
26	11003078	BIELLA X GRUPPO P124 8GR.NERO	
27	11005920	PIASTRA ANT.GRUPPO SMART S/F.NER.SER.NEW	
28	12000897	VITE TCB 3,5X20 PLAST.INOX	
29	129912521	VITE TCBR 3,5X14 PLAST.INOX	
30	145857962	GUARNIZ.INSERTO RACC.USCITA CAF.P124 NER	
31	11023086	AS.GEN.PISTONE INTEGR.GRUP.CAF.8GR.NER.	
	11002145	GRUPPO CAFFE' 8GR/SBS P124 NERO	

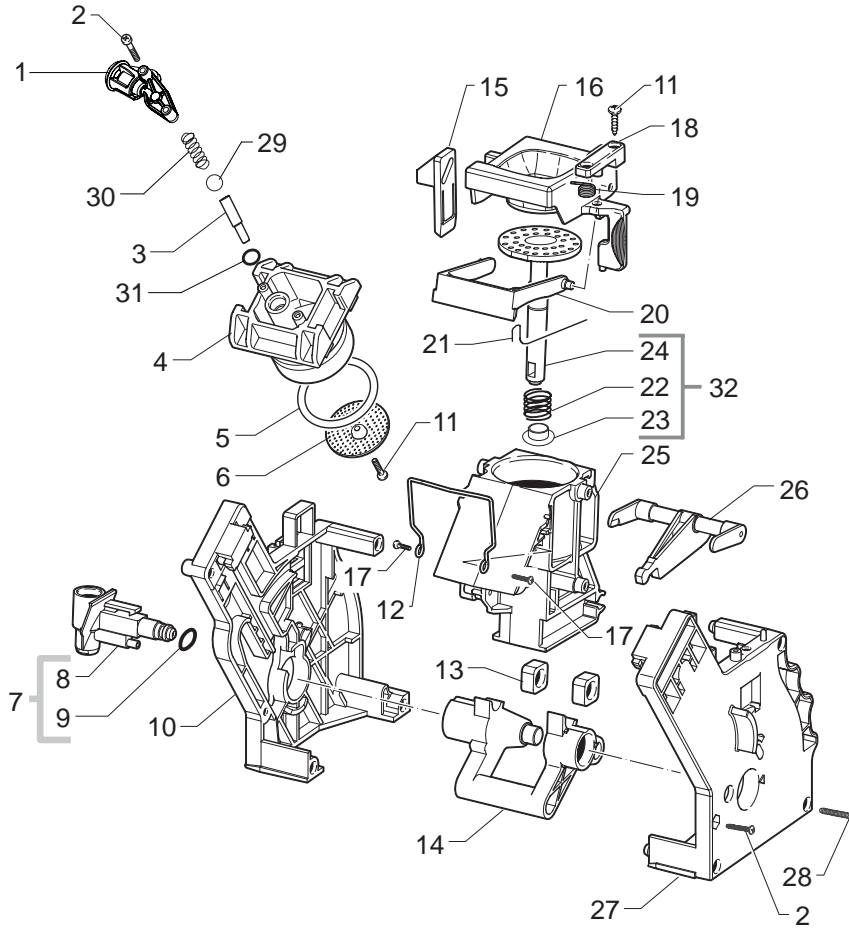
POS	KODE	BESCHREIBUNG	NOTE
01	11010660	SAECO BREWING SYSTEM VALVE STD ASSY.	
02	12000550	SCREW TCB TORX 10 3X25 PLAST.SS	
03	11009276	TUBE FOR COUNTER PISTON BREW UNIT S0053	
04	11001840	BLACK COUNTER PISTON BREW UNIT 8GR.P124	
05	NM01.044	OR ORM 0320-40 IN SILICONE PTFE/FDA	
06	9161.268	PERCOLATOR DE=35,8 ELFO	
07	20000440	BLACK WATER INLET SLEEVE BREW UNIT ASSY.	
08	9161.064.050	BLACK WATER INLET SLEEVE BREW UNIT	
09	NM02.007	OR 2025 TERMOIL	
10	9161.375.050	BLACK REAR PLATE FOR BREW UNIT SMART	
11	145899250	CONNECTION COFFEE FOR P124 GROUP	
12	11001556	SPRING H=49 FOR COFFEE BREW UNIT SMART	
13	9161.094.150	GREY DRILLED BLOCK BREW UNIT	
14	9161.066.050	ELBOW SHAFT FOR UNIT BLACK	
15	9161.373.050	BLACK COUPLING PLATE BREW UNIT SMART	
16	149261350	BLACK HOPPER DOSER BREW UNIT SMART1	
17	12000895	SCREW TSP TORX 10 3X10 PLAST.SS	
18	9161.374.050	BLACK HOPPER BLOCKING PLATE UNIT SMART	
19	9161.378	SPRING HOPPER SMART BREW UNIT	
20	11004161	BLACK SCRAPER FOR COFFEE UNIT	
21	9161.046	SPRING FOR UNIT SCRAPER	
22	9161.198	SS.8GR.BREW UNIT PISTON SPRING	
23	9161.191	WHITE 8GR.-12GR.BREW UNIT PISTON BUSH	
24	11003077	BLACK 8GR.BREW UNIT INTEGR.PISTON ASSY.	
25	11003075	BLACK COFFEE CONTAINER BREW UNIT P124	
26	11003078	BLACK CONNECTING ROD FOR UNIT P124 8GR.	
27	11005920	BLACK FRONT PLATE BREW UNIT SMART S.SCR.	
28	12000897	SCREW TCB TORX 10 3,5X20 PLAST.SS	
29	129912521	SCREW TCBR TORX 10 3,5X14 PLAST.SS	
30	145857962	BLACK INSERT SEAL P124	
31	11023086	BLK 8GR.BREW UNIT NTEGR.PISTON GEN.ASSY.	
	11002145	BLACK BREW UNIT 8GR/SBS P124	

Saeco
INTERNATIONAL GROUP

GRUPPO CAFFE' P124 SBS 8 GR. NERO

Rev. 03 - 07/12/09

TAVOLA 1/1



POS	CODE	DESCRIPTION	NOTE	POS	CODE	DESCRIPTION	NOTE
01	11009362	BLACK COFFEE OUTLET SLEEVE S0053 ASSY.					
02	12000550	SCREW TCB TORX 10 3X25 PLAST.SS					
03	11009276	TUBE FOR COUNTER PISTON BREW UNIT S0053					
04	11001840	BLACK COUNTER PISTON BREW UNIT 8GR.P124					
05	NM01.044	OR ORM 0320-40 SILICONE PTFE/FDA					
06	9161.268	PERCOLATOR DE=35,8 ELFO					
07	20000440	BLACK SPARE SLEEVE UNIT					
08	9161.064.050	BLACK WATER INLET SLEEVE BREW UNIT					
09	NM02.007	OR 2025 TERMOIL					
10	9161.375.050	BLACK REAR PLATE FOR BREW UNIT SMART					
11	12000895	SCREW TSP TORX 10 3X10 PLAST.SS					
12	11001556	SPRING H=49 FOR COFFEE BREW UNIT SMART					
13	9161.094.150	GREY DRILLED BLOCK BREW UNIT					
14	9161.066.050	ELBOW SHAFT FOR UNIT BLACK					
15	9161.373.050	BLACK COUPLING PLATE BREW UNIT SMART					
16	149261350	BLACK HOPPER DOSER BREW UNIT SMART1					
17	129912521	SCREW TCB TORX 10 3,5X14 PLAST.SS					
18	9161.374.050	BLACK HOPPER BLOCKING PLATE UNIT SMART					
19	9161.378	SPRING HOPPER SMART BREW UNIT					
20	11004161	BLACK SCRAPER FOR COFFEE UNIT					
21	9161.046	SPRING FOR UNIT SCRAPER					
22	9161.198	PISTON SPRING BREW UNIT M5000					
23	9161.191	NEUTRAL PISTON BUSH BREW UNIT M5000					
24	11003077	BLACK INTEGRAL PISTON UNIT P124 8GR.ASS					
25	11003075	BLACK COFFEE CONTAINER BREW UNIT P124	WITH PART. N° 12				
26	11003078	BLACK CONNECTING ROD FOR UNIT P124 8GR.					
27	11005920	BLACK FRONT PLATE BREW UNIT SMART S.SCR.					
28	12000897	SCREW TCB TORX 10 3,5X20 PLAST.SS					
29	9991.168	GLASS SPHERE D.5MM					
30	11012095	SPRING FOR CONTERPISTON UNIT S0053					
31	140328761	OR METRIC 0060-15 IN TERMOIL					
32	11023086	BLK 8GR.BREW UNIT NTEGR.PISTON GEN.ASSY.					
	11012382	BLACK BREW UNIT 8 GR.5 BAR S0053					