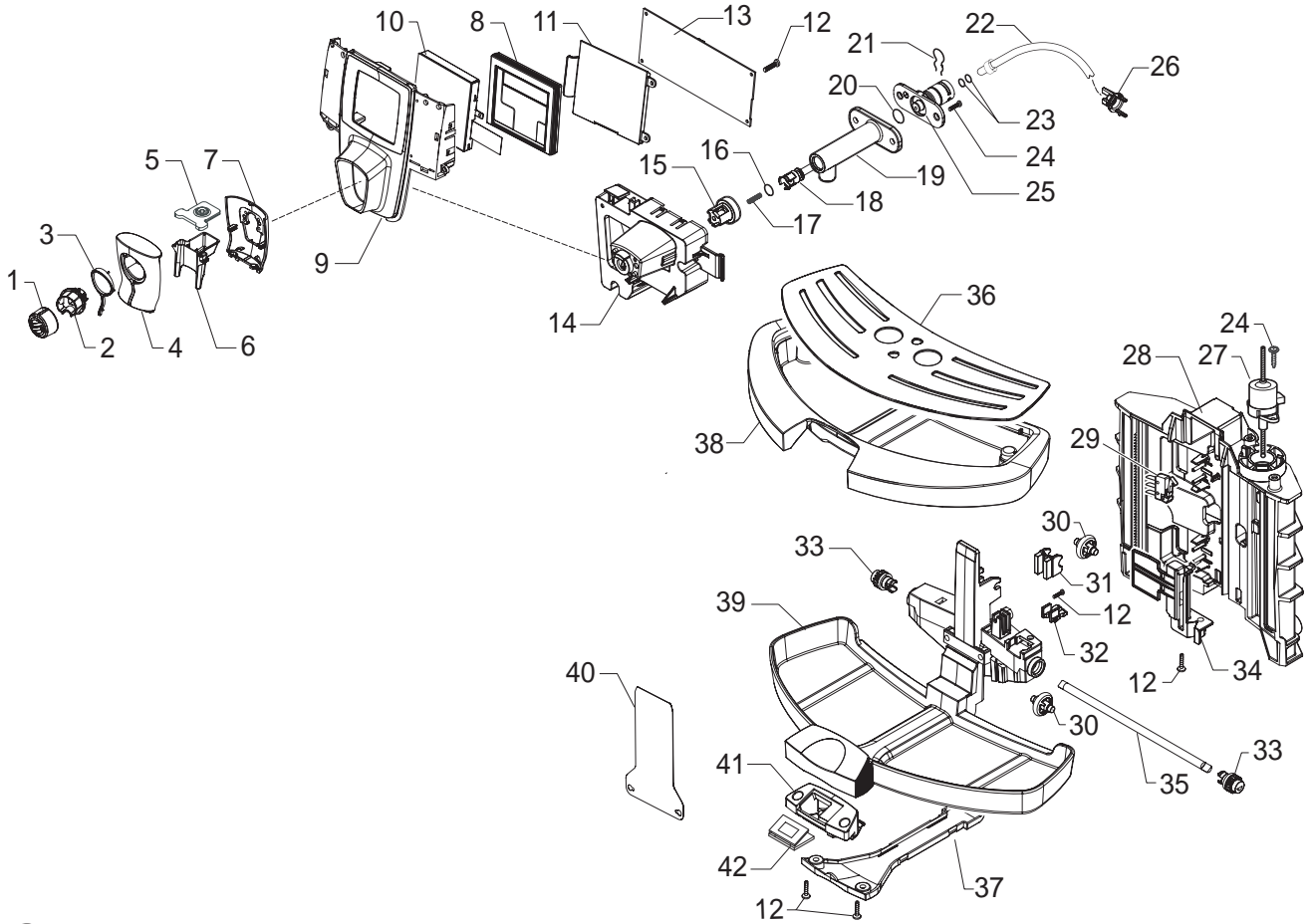


Saeco SUP032AR
INTERNATIONAL GROUP



Cod.10003403 - 3404

POS	CODE	DESCRIPTION	NOTE	POS	CODE	DESCRIPTION	NOTE	
01	11023799	TXT/BLACK WATER TANK OUTLET COVER P0053		42	11023791	TXT/BLACK DOOR P0053		
02	11001668	NATURAL/GREY WATER CONTAINER LID P0053		43	11003889	2POLES CONNECTOR SENSOR REED DOOR P0049		
03	11002017	TRANSPARENT WATER CONTAINER P0053 ASSY.		44	15002197	MANUAL V4 SAE P0053/D SUP032AR D/I		
04	224640200	EXTERNAL FILTER FOR WATER CONTAINER ASSY	WITH PART N° 05	45	15002198	MANUAL V4 SAE P0053/D SUP032AR GB/F		
05	140328461	EPDM OR METRIC 0190-10		46	15002199	MANUAL V4 SAE P0053/D SUP032AR E/P		
06	11003672	SPRING FOR WATER CONTAINER VALVE P0049		47	15002200	MANUAL V4 SAE P0053/D SUP032AR NL/PL		
07	11003673	GREY WATER CONTAINER VALVE INSERT P0049		48	21001404	ACC SAE BRITA UNI.WAT.FILTERX1 EUR-ASIA		
08	11003671	TRANSP.VALVE FOR WATER CONTAINER P0049		49	129914102	SCREW TSP TORX 10 3,5X12 PLAST.ZN-B		
09	11001298	BLACK LID FOR DUCKBILL VALVE P0049		50	183930650	PO.CABL.CH BLACK 3X1 H05VV-F L=1200		
10	13000841	INSERTO SUP.SCATOLA V4 P0053 PS-E		51	183911050	BLACK POWER CABLE SCHUKO L=1200MM		
11	13000840	INSERTO INF.SCATOLA V4 P0053 PS-E		52	11003154	BLACK REED SENSOR SUPPORT P0049		
12	13001181	DISPLAY BOX P0053 SAECO BLACK LINE		53	0301.961	STICKER FOR WATER HARDNESS TEST		
13	11004057	CHROMED WATER-STEAM KNOB P0053		54	146680850	BLACK COFFEE MEASURE SMART		
14	129913202	SCREW TCB TORX 10 3X8 PLAST.ZN-B		55	11005723	CLEAR/GREY CUPWARMING LID P0053 UL ASSY.	230V	
15	11004142	SILVER PLATE LOGO SAECO NEW P0049/P0053		56	11004303	SILVER WARM CUPS FINGER PROTECTION P0053		
16	11023777	GLOSS/BLACK COVER WITH OPEN V2 P0053		57	140329461	EPDM OR 2137		
17	11002096	TRANSPARENT INFRAREDS PLATE P0053		58	129661702	SCREW TCB TORX 3,5X30 PLAST.ZN-B		
18	11023646	BLK PLATE W/LOGO "BLACK" S/SC.TOUCH PLUS			55	11005044	SAECO KLUBER TRIBOSTAR SIL 2 TUBE 5GR.	
19	140321461	OR 2018 IN EPDM			56	13001182	LITOGR.EXTERN.BOX BLACK FOR 1DO P0053+MI	MILK ISLAND
20	11003821	BLACK CAP FOR CONNECTIONS P0049/P0053			57	13000902	CARDBOARD INSERT BOX P0053 W/MILK ISLAND	MILK ISLAND
21	11000223	BLACK WHEEL FOR CASING BOTTOM P124			58	21000403	ACC SAE MILK ISLAND 08L BLK	MILK ISLAND
22	11023772	TXT/BLACK LEFT SIDE CASING P0053					SEE COD. EXPL. E90062	
23	11001624	STEAM TUBE WASHER P0049						
24	NF11.084	PHOSPH/STEEL FOLK SPRING						
25	11022788	PWR BOARD V2 P0053	230V					
26	11002030	TRANSP.BEAN COFF.CONTAIN.LID P0053 ASSY.						
27	11009194	BLACK POWER BOARD PROTECT.V2 P0053/A-D						
28	11001670	NATUR/GREY GROUND COFF.CONTAIN.LID P0053						
29	11011354	TRANSPAR.BEAN CONTAINER V2 P0053						
30	11002016	MOUNTING PLATE WITH PIN P0053 PP+T ASSY.						
31	12000280	CUP SOCKET EN 60320 C 13						
32	11007060	GENERAL SWITCH FOR P124						
33	11023773	TXT/BLACK RIGHT SIDE CASING P0053						
34	11023689	TXT/BLACK ON-OFF BUTTON INSERT P0049						
35	11004056	CHROMED ON-OFF SWITCH BUTTON P0049						
36	11023774	TXT/BLACK DRIP TRAY COFFEE UNIT P0053						
37	11003533	BLACK DUMP BOX P0049 ASSY.						
38	11001659	BLACK INSIDE COVER DOOR P0053						
39	9161.111	MAGNET FOR FLOAT SUPERAUTOM.						
40	11001340	BLACK DOOR PIN P0049						
41	11008956	SS SPRING FOR LOCK DOOR G0053						



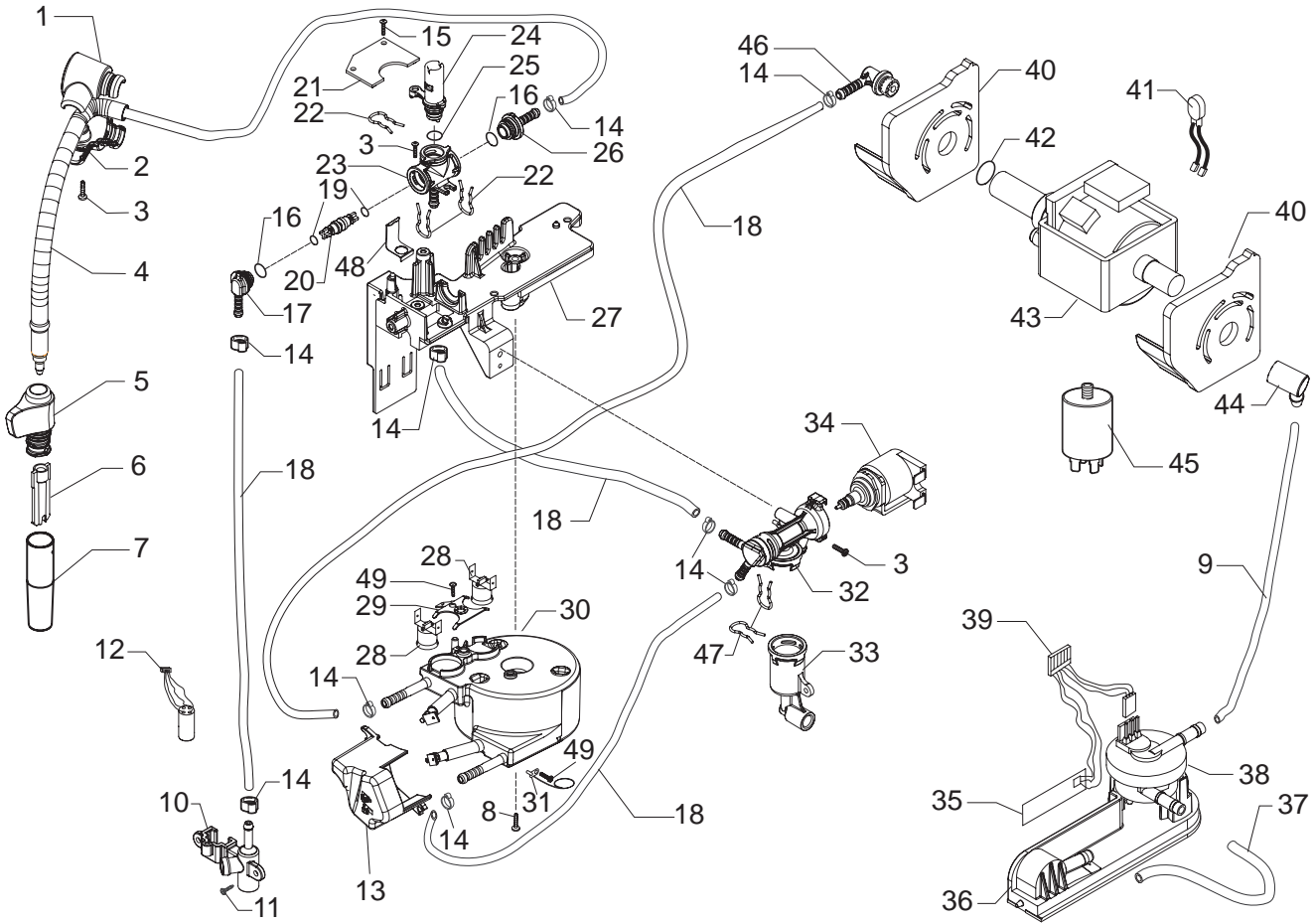
Saeco SUP032AR
INTERNATIONAL GROUP



Cod.10003403 - 3404

POS	CODE	DESCRIPTION	NOTE
01	11007378	CHR/PLAT.CREAM ADJUSTM.KNOB V2 P124 ASSY	
02	11007420	INTERNAL CONNECT.V2 FOR COFFEE DISPENSER	
03	11023797	SPECCHIATO COFFEE DISPENSER LENS P0053	
04	11004208	CHROMED FRONT COFFEE DISPENSER COVER	
05	11002111	BLACK CAP COFFEE DISPEN.HEAD BODY P0053	
06	11002049	BLACK COFFEE DISPENSER BODY P0053	
07	11004119	CHROMED REAR COFFEE DISPENSER COVER	
08	11009931	BLACK DISPLAY SUPPORT SEAL V2 P0053/D	
09	11010826	SPECCHIATO FRONT PANEL P0053/D	
10	12001133	DISPLAY 192x160 AMBER P0053/D MY08	
11	11009932	BLACK DISPLAY SUPPORT V2 P0053/D	
12	129913202	SCREW TCB TORX 10 3X8 PLAST.ZN-B	
13	11023834	CPU+SW AS.V4 SLIM BOYLER P0053/D	
14	11002112	BLACK DISPENSING SUPPORT P0053	
15	149198700	SUPPORT CREAM ADJUSTMENT SHAFT	
16	140326661	BLACK OR METRIC 0040-20 IN EPDM	
17	126772518	SPRING FOR COF.CREAM ADJUSTMENT SHAFT	
18	140640200	WHITE COFFEE CREAM ADJUSTMENT SHAFT	
19	11000290	BLACK COFFEE DISPENSER TUBE P124	
20	12000070	OR METRIC 0060-15 IN SILICONE	
21	9011.144	SS FORK FOR TUBE D.4	
22	11001766	TEFLON TUBE 2X4 L=125 MM ASSY.	
23	140328059	OR 2015 IN SILICONE PTFE/FDA	
24	12000450	SCREW TCB TORX 10 3.5X12 PLAST.ZN-N	
25	11002130	FAST LOCK CONNECTOR FOR EROGATOR P0053	
26	11001337	BLACK TUBE TEFLON INSERT P0049	
27	12000065	SAIA UCL MOTOR FOR P124 MOBILE TRAY ASSY	
28	11002204	BLACK DRIP TRAY GUIDE P0053	
29	11000662	MICROSWITCH DRIP TRAY P124 ASSY.	230V
30	11000113	BLACK WHELL FOR DRIP TRAY SUPPORT P124	
31	11000224	INSERT FOR ADJUSTMENT TRAY WHEEL P124	
32	11000115	FIXING PLATE FOR FEEDING SCREW P124	
33	11000081	GEAR Z=17 FOR MOBILE TRAY SUPPORT P124	
34	11002293	BLACK LOWER DRIP TRAY PROT.SUPPORT P124	
35	11000586	MOBILE DRIP TRAY GEARS SHAFT P124	
36	11010389	SB/STAINLESS STEEL GRATE P0053	
37	11002181	BLACK COVER FOR SENSORS CABLES P0053C-D	
38	11023795	TXT/BLACK MOBILE DRIP TRAY P0053 ASSY.	
39	11023790	TXT/BLACK DRIP TRAY SUPPORT P0053	
40	11023779	BLACK DRIP TRAY PROTECTION V2 P0053	

POS	CODE	DESCRIPTION	NOTE
41	11002184	BLACK SENSOR BOARD SUPPORT P0053/C-D	
42	11000585	MOBILE DRIP TRAY SENSOR BOARD P124	



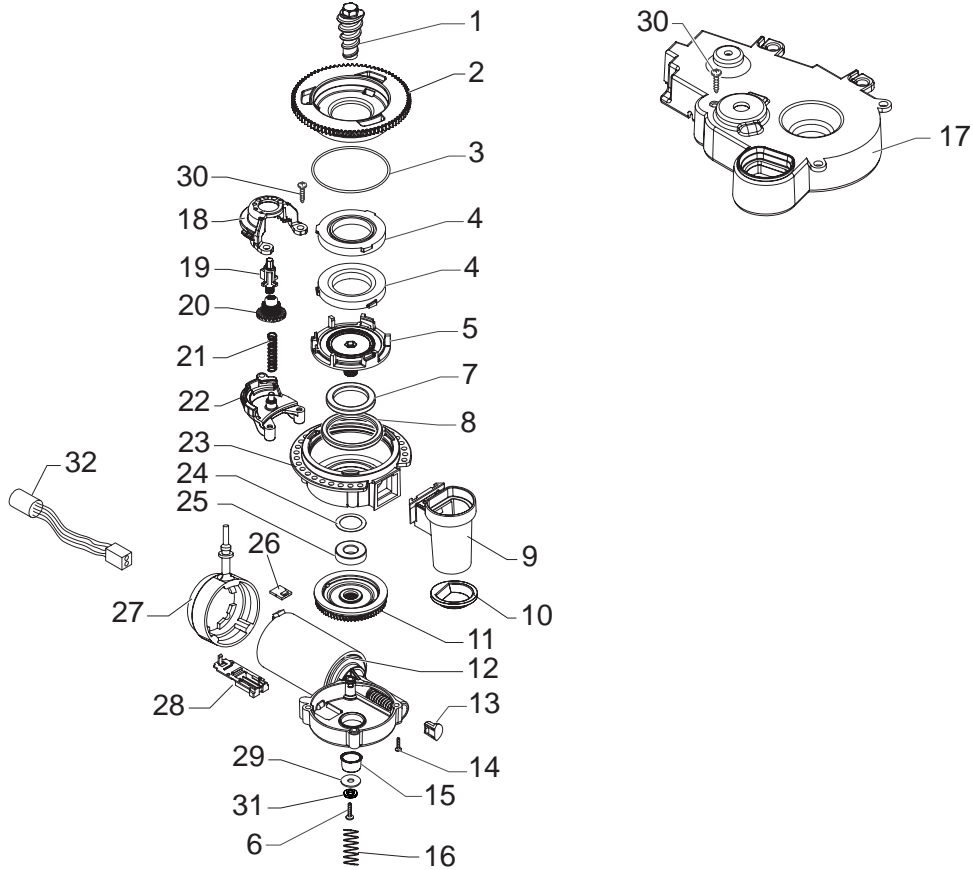
Saeco SUP032AR
INTERNATIONAL GROUP



Cod.10003403 - 3404

POS	CODE	DESCRIPTION	NOTE
01	11004196	CHROMED UPPER STEAM TUBE COVER P0049	
02	11004197	CHROMED LOWER STEAM TUBE COVER P0049	
03	129913902	SCREW TCB TORX 10 3X12 PLAST.ZN-B	
04	11022486	TF/CHROM.STEAM TUBE V2 P0049/P0053 ASSY.	
05	11001625	BLACK STEAM TUBE HANDGRIP P0049	
06	11001620	BLACK PANNARELLO INTERNAL TUBE P0049	
07	11011504	TF/CHROM.PANNARELLO COVER P0049	
08	12001369	SCREW TSP TORX 10 5X35 PLAST.SS	
09	149360200	SILICONE TUBE 5X8 70SR	IN ROLL
10	11007421	BLACK CONNECTOR FOR P0054	
11	12000450	SCREW TCB TORX 10 3,5X12 PLAST.ZN-N	
12	11000465	4POLE CONNECTOR FOR P0054	
13	17000386	BLK BOILER CONNECTORS COVER P0049/P0053	
14	12000892	OETIKER CLAMP D=9,5 16700004	
15	129913202	SCREW TCB TORX 10 3X8 PLAST.ZN-B	
16	12000931	OR 108 IN EPDM FDA 70 SH	
17	11001544	BLACK FAUCET CONNECTOR P0049	IN ROLL
18	16000380	5X8,9 SILICONE TUBE	IN ROLL
19	12000890	OR 2012 IN EPDM FDA 70 SH SV	
20	11004134	TEA/BRASS FAUCET SHAFT P0049	
21	11007569	TAP ELECTRONIC CARD G0053 ASSY.	
22	11001499	FORK SPRING FOR FAUCET P0049	
23	11004625	TEA/BRASS FAUCET CASING P0049	
24	11004135	PLAST/BRASS FAUCET SHAFT P0049 ASSY.	
25	140321861	OR 2025 IN EPDM	
26	11001546	BLACK FAUCET STRAIGHT CONNECTOR P0049	
27	11001332	BLACK BOILER-FAUCET-VALVE SUPPORT P0049	
28	12001034	THERMOSTAT ONE SHOT 175°	
29	11001751	THERMOSTATES SPRING FOR BOILER	
30	11013735	SLIM TUB.BOILER ASSY.	230V1300W
31	190800100	TEMPERATURE SENSOR NTC UL L=280MM	
32	20000591	BLOWDOWN VALVE CASING P0049 ASSY.	
33	20000592	BLOWDOWN VALVE CONNECTOR P0049 ASSY.	
34	20000590	BLOWDOWN VALVE COIL P0049 ASSY.	230V
35	11000651	WATER LEVEL SENSOR BOARD P124	
36	11003670	BLACK TURBINE SUPPORT V2 P0049	
37	JS01.022	SILICONE TUBE 5X10 60 SHORE	IN ROLL
38	12000781	TURBINE D=1,2 932-8521/90 ASSY.	
39	11005648	6 POLES CONNECT.LEVEL+FLOWMETER P0049 UL	230V
40	11006296	BLACK PUMP SUPPORT P0049 ASSY.	
41	11005668	2POLES CONNECTOR PUMP P0049 UL	230v

POS	CODE	DESCRIPTION	NOTE
42	140321961	OR 2031 IN TERMOIL	
43	12000140	ULKA PUMP EP5/S GW	230V-50HZ
44	147920150	90° INLET CONNECTOR PUMP	
45	12000005	ANTIDISTURB FILTER 10A FNC 1005474103P	230V
60	11001054	90°CONNECTOR PUMP OUTLET P0049/B	
47	11005096	FORK SPRING FOR VALVE P0049	
48	11002957	SS.FAUCET FOR SPRING P0049	
49	129573202	SCREW TCB TORX 20 M4X8 AUTOFORMING ZN-B	
	11008698	TEA/BRASS FAUCET P0049-P0053 ASSY. WITH PART. N°16-17-19-20-22-23-24-25-26	
	11001543	BLOWDOWN VALVE P0049 230V ASSY. WITH PART. N° 32-33-34-47	
	11023793	SLIM ALUM.BOILER P0053 ASSY.	230V

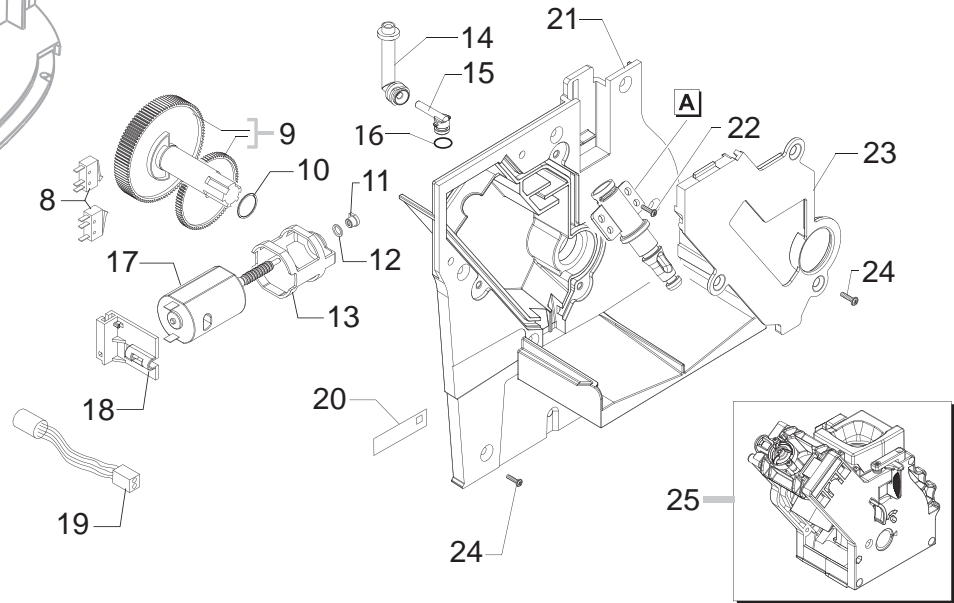
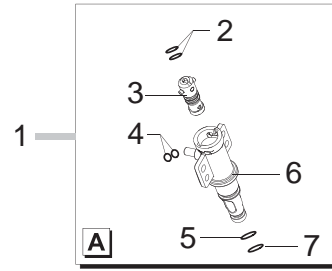
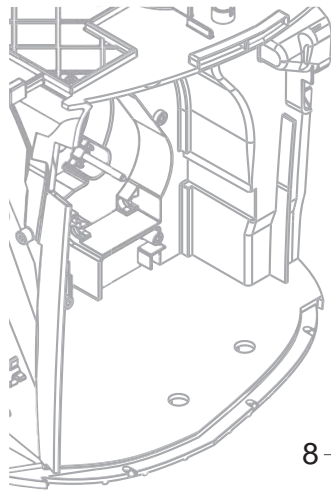


Saeco SUP032AR
INTERNATIONAL GROUP



Cod.10003403 - 3404

POS	CODE	DESCRIPTION	NOTE	POS	CODE	DESCRIPTION	NOTE
01	11011205	TEA ZAMA INCREASE SCREW GRINDER					
02	149198250	UPPER GRINDER SUPPORT COFFEEGRINDER					
03	140328960	NBR FDA OR METRIC 0530-15					
04	146520100	BAKED CLAY GRINDER 48X28					
05	149198350	LOWER GRINDER SUPPORT COFFEEGRINDER					
06	129574802	SCREW TCB TORX 20 M4X30 ZN-B					
07	123030300	AXIAL BEARING EKKO 342.35252					
08	140360500	FELT RING 45,4X39,4X4					
09	11012564	GROUND COFFEE OUTLET CONVEYOR V2 ASSY.					
10	145854462	GROUND COFFEE CONT.SEAL LOWER SMART1					
11	226000300	GEAR SX Z=38 FOR GRINDER MOTION ASSY.					
12	11000513	MOTOR COFFEEGRINDER/V3.1 ASSY	230V				
13	149214800	CAP FOR WORM SCREW MC/V3 CENTRING					
14	129661702	SCREW TCB TORX 3,5X30 PLAST.ZN-B					
15	11002873	INSULATOR BUSH FOR GRINDER MOTOR P124					
16	11000597	COFFEE GRINDER SUPPORT SPRING P124					
17	11001826	SOUNDPROOFING COVER FOR COFGRINDER P0053					
18	11002508	UPPER GEAR SUPPORT COFFEEGRINDER P124					
19	11003446	BLACK INSERT FOR COFFEE GRINDER P0049					
20	11003784	COFFEE GRINDING ADJUSTMENT GEAR P0049					
21	11002572	GRINDER REGULATION SPRING P124					
22	11002613	LOWER GEAR SUPPORT COFFEEGRINDER P124					
23	142905450	UPPER BODY WITH COFFE.GROUND OUTLET					
24	128381800	CRINKLE WASHER 21,8X15,8X0,2					
25	123030200	RADIAL BEARING 61900.2RS1					
26	181540900	ELECTRONIC BOARD WITH SENSOR HAL506					
27	11001367	BLACK COFFEE GRINDER SUPPORT P0049					
28	149199050	SENSOR SUPPORT FOR COFF.GRIND.MOTOR					
29	128381902	GALVAN.FLAT WASH.DI=4,3 DE=14 SP=1,5					
30	129914002	SCREW TCB TORX 10 3,5X16 PLAST.ZN-B					
31	128310402	GALV.WASHER UNI 8842 A4					
32	11005658	5POLES CONNECTOR MC SENSORS P0049 UL	230V				
	11007416	GENERAL MOTOR MC V2 P0049 ASSY.	230V				

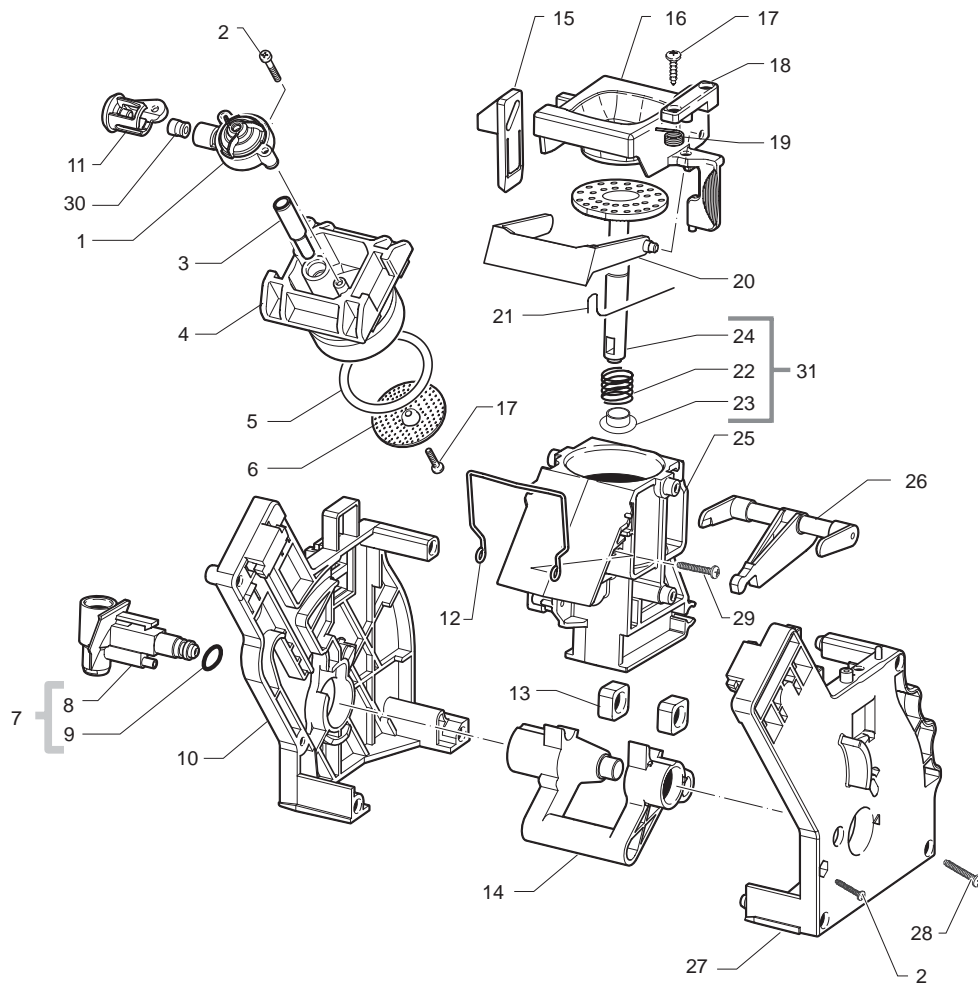


Saeco SUP032AR
INTERNATIONAL GROUP



Cod.10003403 - 3404

POS	CODE	DESCRIPTION	NOTE	POS	CODE	DESCRIPTION	NOTE
01	11005113	PIN V2 FOR BOILER P049/B ASSY.					
02	140324459	OR ORM 0060-20 IN SILICONE PTFE/FDA					
03	11003820	CAP V2 FOR PIN BOILER P119					
04	140328059	OR 2015 IN SILICONE PTFE/FDA					
05	NM01.035	OR ORM 0090-20 SILICONE					
06	11003801	NATURAL PIN V2 FOR BOILER P119					
07	NM01.057	OR ORM 0050-20 IN SILICONE					
08	NE05.038	MICROSWITCH					
09	20000900	SPARES KIT GEARS FOR RATIOMOTOR V2					
10	9161.132	MYLAR WASHER FOR RATIOMOTOR					
11	9121.046	SINTERED BUSH FOR MOTOR					
12	148380200	WASHER BAKELIZZATE D=5,5					
13	9121.044	ANTIVIBRATION FOR MOTOR					
14	11004086	VALVE DESCARGING WATER 90° CONNECTOR					
15	11003648	COVER DESCARGING WATER 90° CONNECTOR					
16	140325462	OR METRIC 0070-20 IN SILICONE					
17	11003037	MOTOR FOR RATIOMOTOR ASSY.					
18	11001331	BLACK MICROSWITCH SUPPORT DUMP BOX P0049					
19	11003661	REED SENSOR MK3-1A66-BV16451					
20	11000651	WATER LEVEL SENSOR BOARD P124					
21	11006337	BLACK COVER MOUNTING PLATE P0049 ASSY.					
22	129914002	SCREW TCB TORX 10 3,5X16 PLAST.ZN-B					
23	11001312	BLACK COVER FOR VAIN BOILER P0049					
24	129914102	SCREW TSP TORX 10 3,5X12 PLAST.ZN-B					
25	11005921	BLACK BREW UNIT 8GR/SBS V2 P124					
		SEE COD. EXPL. E90060 NEXT PAGE					



Saeco SUP030-032
INTERNATIONAL GROUP



Cod. 11005921

POS	CODICE	DESCRIZIONE	NOTE
01	11010660	AS.VALVOLA SAECO BREWING SYSTEM STD	
02	12000550	VITE TCB 3X25 PLAST.INOX	
03	11009276	TUBO X CONTROPIST.GRUPPO S0053 NERO	
04	11001840	CONTROPISTONE GRUPPO P124 8GR. NERO	
05	NM01.044	OR ORM 0320-40 IN SILICONE PTFE/FDA	
06	9161.268	DOCCIA DE=35,8 ELFO	
07	20000440	GRUPPO RICAMBIO MANICOTTO NERO	
08	9161.064.050	MANICOTTO ENTRATAACQUA GRUP.CAFFE.NERO	
09	NM02.007	OR 2025 TERMOIL	
10	9161.375.050	PIASTRA POSTERIORE GRUPPO SMART NERO	
11	145899250	INSERTO CENTRAGGIO RAC.USCITA CAF.P124	
12	11001556	MOLLA RASATORE H=49 X GRUPPO CAF.SMART	
13	9161.094.050	BLOCCHETTO FORATO GRUP.CAFFE' PA/NERO	
14	9161.066.050	ALBERO A GOMITO X GRUPPO NERO	
15	9161.373.050	PIASTRINA AGGANCIO GRUP.CAF.SMART NERO	
16	149261350	TRAMOGGIA GRUPPO CAFFE' SMART1 NERO	
17	12000895	VITE TSP 3X10 PLAST.INOX	
18	9161.374.050	PIASTRA FISS.TRAMOG.GRUP.CAF.SMART NERO	
19	9161.378	MOLLA TRAMOGGIA GRUPPO CAFFE' SMART	
20	11004161	RASATORE X GRUPPO CAFFE' NERO	
21	9161.046	MOLLA X RASATORE GRUPPO	
22	9161.198	MOLLA PISTONE GRUPPO CAFFE' M5000	
23	9161.191	BOCCOLA PISTONE GRUP.CAFF.M5000 NEUTRO	
24	11003077	AS.PISTONE INTEGRALE GRUP.P124 8GR.NERO	
25	11003075	AS.CONT.CAF.C/BOCC.SALD.GRUP.P124 8G.NER	
26	11003078	BIELLA X GRUPPO P124 8GR.NERO	
27	11005920	PIASTRA ANT.GRUPPO SMART S/F.NER.SER.NEW	
28	12000897	VITE TCB 3,5X20 PLAST.INOX	
29	129912521	VITE TCBR 3,5X14 PLAST.INOX	
30	145857962	GUARNIZ.INSERTO RACC.USCITA CAF.P124 NER	
31	11023086	AS.GEN.PISTONE INTEGR.GRUP.CAF.8GR.NER.	
	11005921	GRUPPO CAFFE' V2 P124/SBS 8GR.NERO	

POS	CODE	DESCRIPTION	NOTA
01	11010660	SAECO BREWING SYSTEM VALVE STD ASSY.	
02	12000550	SCREW TCB TORX 10 3X25 PLAST.SS	
03	11009276	TUBE FOR COUNTER PISTON BREW UNIT S0053	
04	11001840	BLACK COUNTER PISTON BREW UNIT 8GR.P124	
05	NM01.044	OR ORM 0320-40 IN SILICONE PTFE/FDA	
06	9161.268	PERCOLATOR DE=35,8 ELFO	
07	20000440	BLACK SPARE SLEEVE UNIT	
08	9161.064.050	BLACK WATER INLET SLEEVE BREW UNIT	
09	NM02.007	OR 2025 TERMOIL	
10	9161.375.050	BLACK REAR PLATE FOR BREW UNIT SMART	
11	145899250	CONNECTION COFFEE FOR P124 GROUP	
12	11001556	SPRING H=49 FOR COFFEE BREW UNIT SMART	
13	9161.094.050	BLACK DRILLED BLOCK BREW UNIT	
14	9161.066.050	ELBOW SHAFT FOR UNIT BLACK	
15	9161.373.050	BLACK COUPLING PLATE BREW UNIT SMART	
16	149261350	BLACK HOPPER DOSER BREW UNIT SMART1	
17	12000895	SCREW TSP TORX 10 3X10 PLAST.SS	
18	9161.374.050	BLACK HOPPER BLOCKING PLATE UNIT SMART	
19	9161.378	SPRING HOPPER SMART BREW UNIT	
20	11004161	BLACK SCRAPER FOR COFFEE UNIT	
21	9161.046	SPRING FOR UNIT SCRAPER	
22	9161.198	PISTON SPRING BREW UNIT M5000	
23	9161.191	NEUTRAL PISTON BUSH BREW UNIT M5000	
24	11003077	BLACK INTEGRAL PISTON UNIT P124 8GR.ASS	
25	11003075	BLACK COFFEE CONTAINER BREW UNIT P124	
26	11003078	BLACK CONNECTING ROD FOR UNIT P124 8GR.	
27	11005920	BLACK FRONT PLATE BREW UNIT SMART S.SCR.	
28	12000897	SCREW TCB TORX 10 3,5X20 PLAST.SS	
29	129912521	SCREW TCBR TORX 10 3,5X14 PLAST.SS	
30	145857962	BLACK INSERT SEAL P124	
31	11023086	BLK 8GR.BREW UNIT NTEGR.PISTON GEN.ASSY.	
	11005921	BLACK BREW UNIT 8GR.V2 P124/SBS	