

**Saeco**  
INTERNATIONAL GROUP

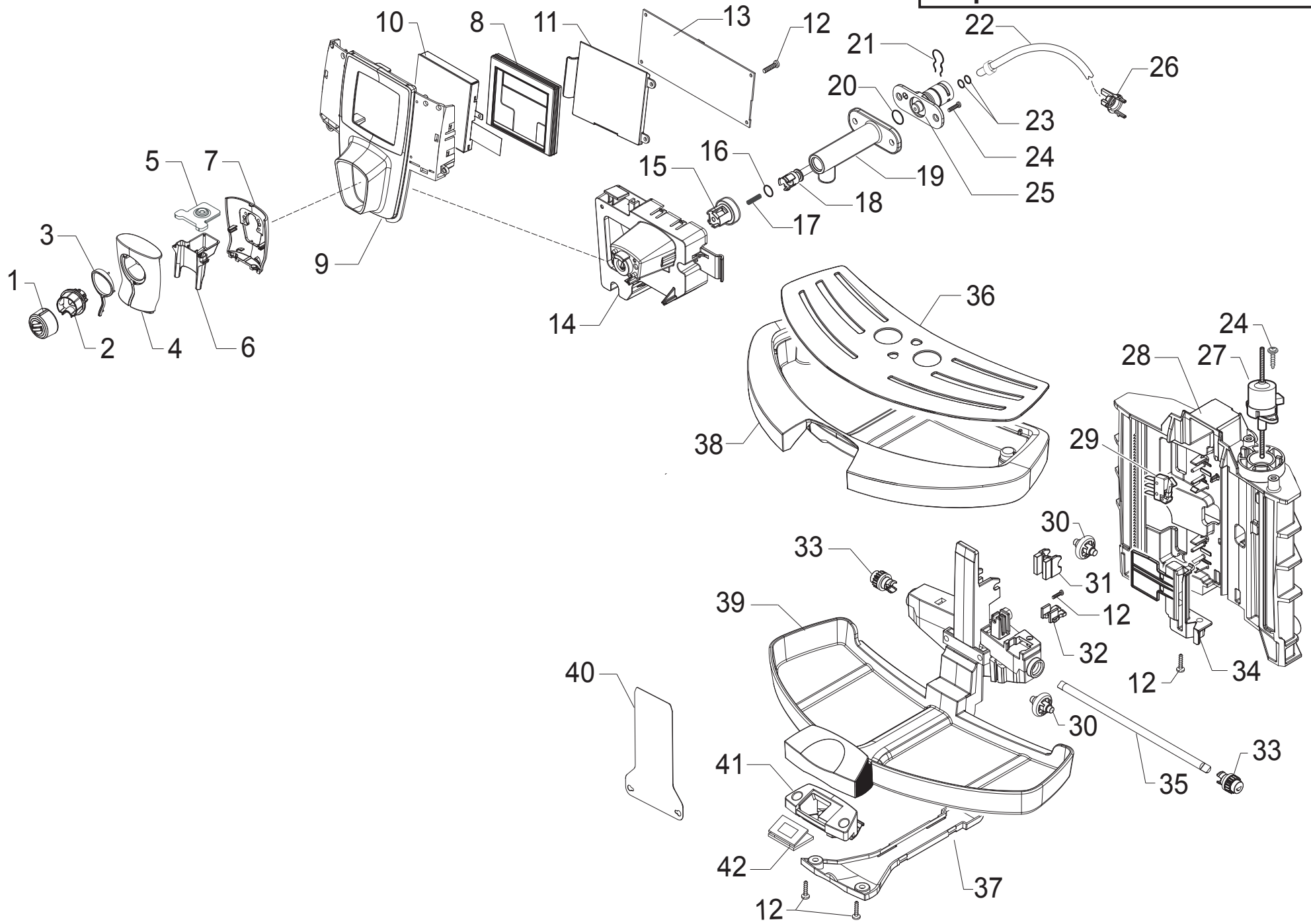
**SUP032AR**

**RI9828/11-RI9829/11**



**Cod. 10003403-3404**

POS	CODE	12NC	DESCRIPTION	NOTE	POS	CODE	12NC	DESCRIPTION	NOTE
01	11023799	996530066711	TXT/BLACK WATER TANK OUTLET COVER P0053		38	11001659	996530000949	BLACK INSIDE COVER DOOR P0053	
02	11001668	996530000954	NAT/GREY WATER CONTAINER LID P0053		39	9161.111	996530050555	MAGNET FOR FLOAT SUPERAUT.	
03	11002017	996530001109	NAT/GREY WATER CONTAINER P0053 ASSY.		40	11001340	996530000764	BLACK DOOR PIN P0049	
04	224640200	996530029115	WHITE WATER CONTAINER EXT.FILTER ASSY.	WITH PART N° 05	41	11008956	996530005133	SS DOOR LOCK SPRING G0053	
05	140328461	996530013571	OR ORM 0190-10 EPDM		42	11023791	996530066706	TXT/BLACK DOOR P0053	
06	11003672	996530001831	SS SPRING FOR WATER CONTAIN.VALVE P0049		43	11003889	996530001955	2POLES CONNECT.SENSOR REED DOOR P0049 UL	
07	11003673	996530001832	GREY WATER CONTAINER VALVE INSERT P0049		44	15002197	996530009429	MANUAL V4 SAE SUP032AR P0053/D D/I	
08	11003671	996530001829	TRANSP.VALVE FOR WATER CONTAINER P0049		15002198	996530009431	MANUAL V4 SAE SUP032AR P0053/D GB/F		
09	11001298	996530000733	BLACK LID FOR DUCKBILL VALVE P0049		15002199	996530066722	MANUAL V4 SAE SUP032AR P0053/D E/P		
10	13000841	996530008322	PS-E UPPER INSERT V4 FOR BOX P0053		15002200	996530009432	MANUAL V4 SAE SUP032AR SUP053/D NL/PL		
11	13000840	996530008321	PS-E LOWER INSERT V4 FOR BOX P0053		46	129914102	996530013166	SCREW TSP TORX 10 3,5X12 PLAST.ZN-B	
12	13001181	996530066717	DISPLAY BOX P0053 SAE TALEA BLACK LINE		47	183930650	996530025858	POWER CABLE CH BLACK 3X1 H05VV-F L=1200	
13	11004057	996530002006	CHROM.WATER-STEAM KNOB P0053		47	183911050	996530025808	BLACK POWER CABLE SCHUKO L=1200	
14	129913202	996530013156	SCREW TCB TORX 10 3X8 PLAST.ZN-B		48	11003154	996530001476	BLACK REED SENSOR SUPPORT P0049	
15	11004142	996530002084	SILVER PLATE LOGO SAECO NEW P0049/P0053		49	0301.961	996530039604	STICKER FOR WATER HARDNESS TEST	
16	11023777	996530066703	GLOSS/BLACK COVER WITH OPEN V2 P0053		50	146680850	996530016529	BLACK COFFEE MEASURE SMART	
17	11002096	996530001152	TRANSP.INFRAREDS PLATE P0053		51	11005723	996530003089	CLEAR/GREY CUPWARMING LID P0053 UL ASSY.	
18	11023646	996530007648	BLK PLATE W/LOGO "BLACK" S/SC.TOUCH PLUS		52	11004303	996530002189	SILVER WARM CUPS FINGER PROTECTION P0053	
19	140321461	996530013461	O-RING 2018 EPDM		53	140329461	996530013584	O-RING 2137 EPDM	
20	11003821	996530001933	BLACK CAP FOR CONNECTIONS P0049/P0053		54	129661702	996530012992	SCREW TCB TORX 3,5X30 PLAST.ZN-B	
21	11000223	996530000126	BLACK WHEEL FOR CASING BOTTOM P124		55	11028379	996530070318	PSA KLUBER TRIBOSTAR SIL 2 TUBE 5GR.	
22	11023772	996530066699	TXT/BLACK LEFT SIDE CASING P0053		56	13001182	996530066718	DISPL.EXTERN.BOX P0053 SAE TALEA BLK+MI	MILK ISLAND
23	11001624	996530000929	BLACK STEAM TUBE WASHER P0049		57	13000902	996530008342	CARDBOARD INSERT BOX P0053 W/MILK ISLAND	MILK ISLAND
24	NF11.084	996530059199	PHOSPH/STEEL FOLK SPRING		58	21000403	996530010272	ACC SAE MILK ISLAND 08L BLK	MILK ISLAND
25	11022788	996530007441	PWR BOARD V2 P0053 230V					<b>SEE EXP.CODE E90062 LAST PAGE</b>	
26	11002030	996530001113	NAT/GREY BEAN COFF.CONT.LID P0053 ASSY.						
27	11009194	996530005332	BLACK POWER BOARD PROTECT.V2 P0053/A-D						
28	11001670	996530000956	NAT/GREY GROUND COF.CONT.LID P0053/B/C/D						
29	11011354	996530006034	NAT/GREY BEAN COFFEE CONTAINER V2 P0053						
30	11002016	996530001108	MOUNTING PLATE WITH PIN P0053 PP+T ASSY.						
31	12000280	996530007788	CUP SOCKET EN 60320 C 13						
32	11007060	996530004022	GENERAL SWITCH P124						
33	11023773	996530066701	TXT/BLACK RIGHT SIDE CASING P0053						
34	11023689	996530007656	TXT/BLACK ON-OFF BUTTON INSERT P0049						
35	11004056	996530002005	CHROM.ON-OFF SWITCH BUTTON P0049						
36	11023774	996530066702	TXT/BLACK COFFEE UNIT DRIP TRAY P0053						
37	11003533	996530001717	BLACK DUMP BOX P0049 ASSY.						



SUP032AR

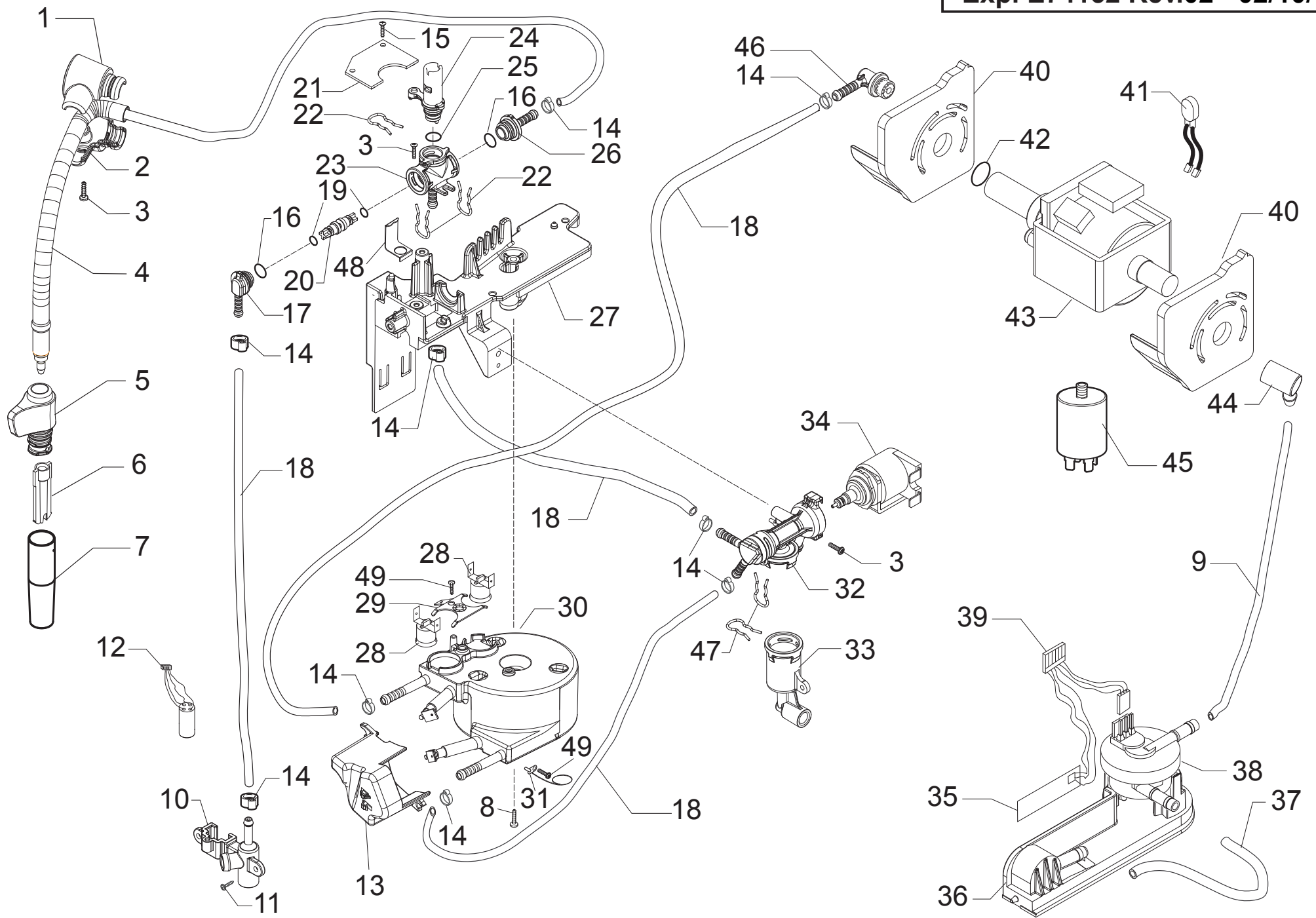
RI9828/11-RI9829/11



Cod. 10003403-3404

POS	CODE	12NC	DESCRIPTION	NOTE	POS	CODE	12NC	DESCRIPTION	NOTE
01	11007378	996530004259	CHROM.CREAM ADJUSTM.KNOB V2 P124 ASSY.		38	11023795	996530066708	TXT/BLACK MOBILE DRIP TRAY P0053 ASSY.	
02	11007420	996530004295	COFF.DISPENSER INTERNAL CONNECT.V2 P124		39	11023790	996530066705	TXT/BLACK DRIP TRAY SUPPORT P0053	
03	11023797	996530066709	SPECCHIATO COFFEE DISPENSER LENS P0053		40	11023779	996530066704	BLACK DRIP TRAY PROTECTION V2 P0053	
04	11004208	996530002129	CHROM.FRONT COFFEE DISPENSER COVER		41	11002184	996530001209	BLACK SENSOR BOARD SUPPORT P0053/C-D	
05	11002111	996530001158	BLACK COFFEE DISPEN.HEAD BODY CAP P0053		42	11000585	996530000364	MOBILE DRIP TRAY SENSOR BOARD P124	
06	11002049	996530001126	BLACK COFFEE DISPENSER BODY P0053						
07	11004119	996530002058	CHROM.REAR COFFEE DISPENSER COVER						
08	11009931	996530005566	BLACK DISPLAY SUPPORT SEAL V2 P0053/D						
09	11010826	996530005904	SPECCHIATO FRONT PANEL V2 P0053/D						
10	12001133	996530007984	DISPLAY 192x160 AMBER P0053/D MY08						
11	11009932	996530005567	BLACK DISPLAY SUPPORT V2 P0053/D						
12	129913202	996530013156	SCREW TCB TORX 10 3X8 PLAST.ZN-B						
13	11023834	996530007675	CPU+SW AS.V4 SLIM BOYLER P0053/D						
14	11002112	996530001159	BLACK COFFEE DISPENSING SUPPORT P0053						
15	149198700	996530017958	BLK COFF.CREAM ADJUSTMENT SHAFT SUPPORT						
16	140326661	996530013546	OR ORM 0040-20 BLACK EPDM						
17	126772518	996530011711	SS COFF.CREAM ADJUSTMENT SHAFT SPRING						
18	140640200	996530013621	WHITE COFFEE CREAM ADJUSTMENT SHAFT						
19	11000290	996530000179	BLACK COFFEE DISPENSER TUBE P124						
20	12000070	996530007732	OR ORM 0060-15 SILICONE						
21	9011.144	996530048885	SS FORK FOR TUBE D=4						
22	11001766	996530001008	TEFLON TUBE 2X4 L=125 MM ASSY.						
23	140328059	996530013564	OR 2015 SILICONE PTFE/FDA						
24	12000450	996530007819	SCREW TCB TORX 10 3,5X12 PLAST.ZN-N						
25	11002130	996530001168	COFF.DISPENSER FAST LOCK CONNECTOR P0053						
26	11001337	996530000761	BLACK TEFLON TUBE INSERT P0049						
27	12000065	996530007727	SAIA UCL MOTOR FOR P124 MOBILE TRAY ASSY						
28	11002204	996530001223	BLACK DRIP TRAY GUIDE P0053						
29	11000662	996530000432	MICROSWITCH DRIP TRAY P124 ASSY.						
30	11000113	996530000076	BLACK WHELL FOR DRIP TRAY SUPPORT P124						
31	11000224	996530000127	INSERT FOR ADJUSTMENT TRAY WHEEL P124						
32	11000115	996530000078	BLK FIXING PLATE FOR FEEDING SCREW P124						
33	11000081	996530000053	GEAR Z=17 FOR MOBILE TRAY SUPPORT P124						
34	11002293	996530001269	BLACK DRIP TRAY LOWER PROTECT.P124						
35	11000586	996530000365	MOBILE DRIP TRAY GEARS SHAFT P124						
36	11010389	996530005751	SB/SS GRATE FOR DRIP TRAY P0053						
37	11002181	996530001206	BLACK COVER FOR SENSORS CABLES P0053C-D						





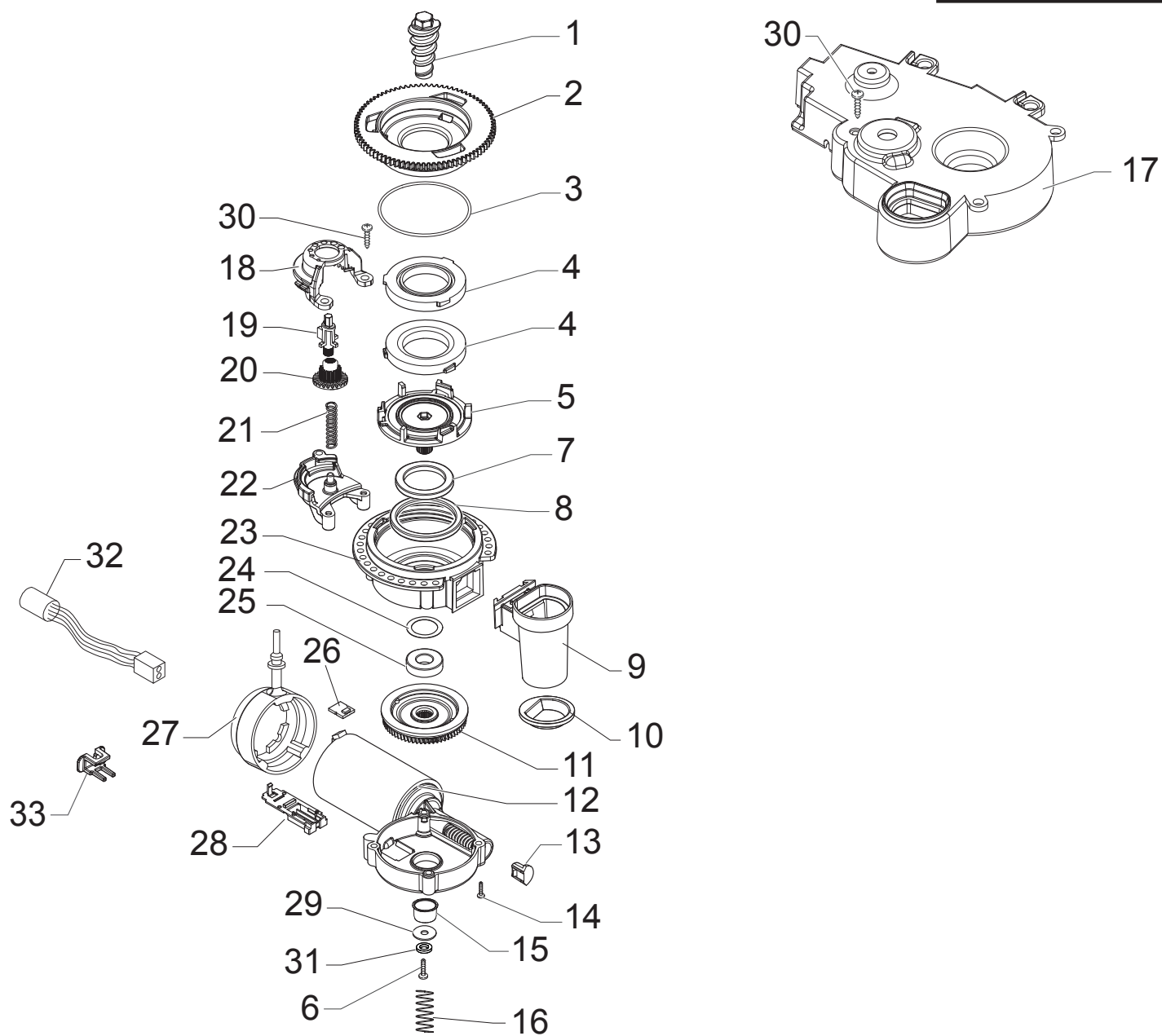
SUP032AR RI9828/11-RI9829/11



Cod. 10003403-3404

POS	CODE	12NC	DESCRIPTION	NOTE	POS	CODE	12NC	DESCRIPTION	NOTE
01	11004196	996530002117	CHROM.UPPER STEAM TUBE COVER P0049		38	12000781	996530007887	TURBINE D=1,2 932-8521/90 ASSY.	
02	11004197	996530002118	CHROM.LOWER STEAM TUBE COVER P0049		39	11005648	996530003031	6 POLES CONNECT.LEVEL+FLOWMETER P0049 UL	
03	129913902	996530013164	SCREW TCB TORX 10 3X12 PLAST.ZN-B		40	11006296	996530003462	BLACK PUMP SUPPORT P0049 ASSY.	
04	11022486	996530007383	TF/CHROM.STEAM TUBE V2 P0049/P0053 ASSY.		41	11005668	996530003036	2POLES CONNECTOR PUMP P0049 UL	
05	11001625	996530000931	BLACK STEAM TUBE HANDGRIP P0049		42	140321961	996530013471	O-RING 2031 TERMOIL	
06	11001620	996530000925	BLACK PANNARELLO INNER TUBE P0049		43	12000140	996530007753	ULKA PUMP EP5/S GW 230V-50HZ	
07	11001621	996530000926	SS PANNARELLO COVER P0049		44	147920150	996530017348	90° INLET PUMP CONNECTOR	
08	12001369	996530008039	SCREW TSP TORX 10 5X35 PLAST.SS		45	12000005	996530007709	ANTIDISTURB FILTER 10A FNC 1005474103P	
09	149360200	996530018269	SILICONE TUBE 5X8 70SR	IN ROLL	46	11001054	996530000624	BLK PUMP OUTLET 90°CONNECTOR P0049/B	
10	11007421	996530004296	BLACK CONNECTOR P0054		47	11005096	996530002744	SS FORK SPRING FOR BLOWDOWN VALVE P0049	
11	12000450	996530007819	SCREW TCB TORX 10 3,5X12 PLAST.ZN-N		48	11002957	996530001408	SS.FAUCET FOR SPRING P0049	
12	11000465	996530000289	4POLE FEMALE CONNECTOR P0054		49	12001715	996530069758	SCREW TCB TORX 20 M4X8 AUTOFORMING ZN-B	
13	17000386	996530066737	BLK BOILER CONNECTORS COVER P0049/P0053						
14	12000892	996530007947	OETIKER CLAMP D=9,5 16700004						
15	129913202	996530013156	SCREW TCB TORX 10 3X8 PLAST.ZN-B						
16	12001613	996530067867	O-RING 108 EPDM PEROX.FOOD 70 SH						
17	11001544	996530000888	BLACK FAUCET CONNECTOR P0049						
18	16000380	996530009505	5X8,9 SILICONE TUBE	IN ROLL					
19	12001614	996530067769	OR 2012 IN EPDM PEROX.FOOD 70 SH						
20	11004134	996530002075	TEA/BRASS FAUCET SHAFT P0049						
21	11007569	996530004425	FAUCET ELECTRONIC CARD G0053 ASSY.						
22	11001499	996530000853	SS FAUCET FORK SPRING P0049						
23	11004625	996530002455	TEA/BRASS FAUCET CASING P0049						
24	11025776	996530067941	PLAST/BRASS FAUCET SHAFT V2 P0049 ASSY.						
25	12001615	996530067929	OR 2025 IN EPDM PEROX.FOOD 70 SH						
26	11001546	996530000891	BLACK FAUCET STRAIGHT CONNECTOR P0049						
27	11001332	996530000755	BLACK BOILER-FAUCET-VALVE SUPPORT P0049						
28	12001033	996530007973	THERMOSTAT ONE SHOT 190°						
29	11001751	996530000997	TUB.BOILER V3 UPPER THERM.FIXING SPRING						
30	11013735	996530006841	SLIM TUB.BOILER ASSY.	230V-1300W					
31	190800100	996530026997	TEMPERATURE SENSOR NTC UL L=280MM						
32	20000591	996530009861	BLK BLOWDOWN VALVE CASING KIT P0049						
33	20000592	996530009862	BLOWDOWN VALVE CONNECTOR P0049 ASSY.						
34	20000590	996530009859	BLOWDOWN VALVE COIL P0049 ASSY. 230V						
35	11000651	996530000425	WATER LEVEL SENSOR BOARD P124						
36	11003670	996530001828	BLACK TURBINE SUPPORT V2 P0049						
37	JS01.022	996530057357	SILICONE TUBE 5X10 60SH	IN ROLL					
									230V-1300W

BLACK TOUCH PLUS



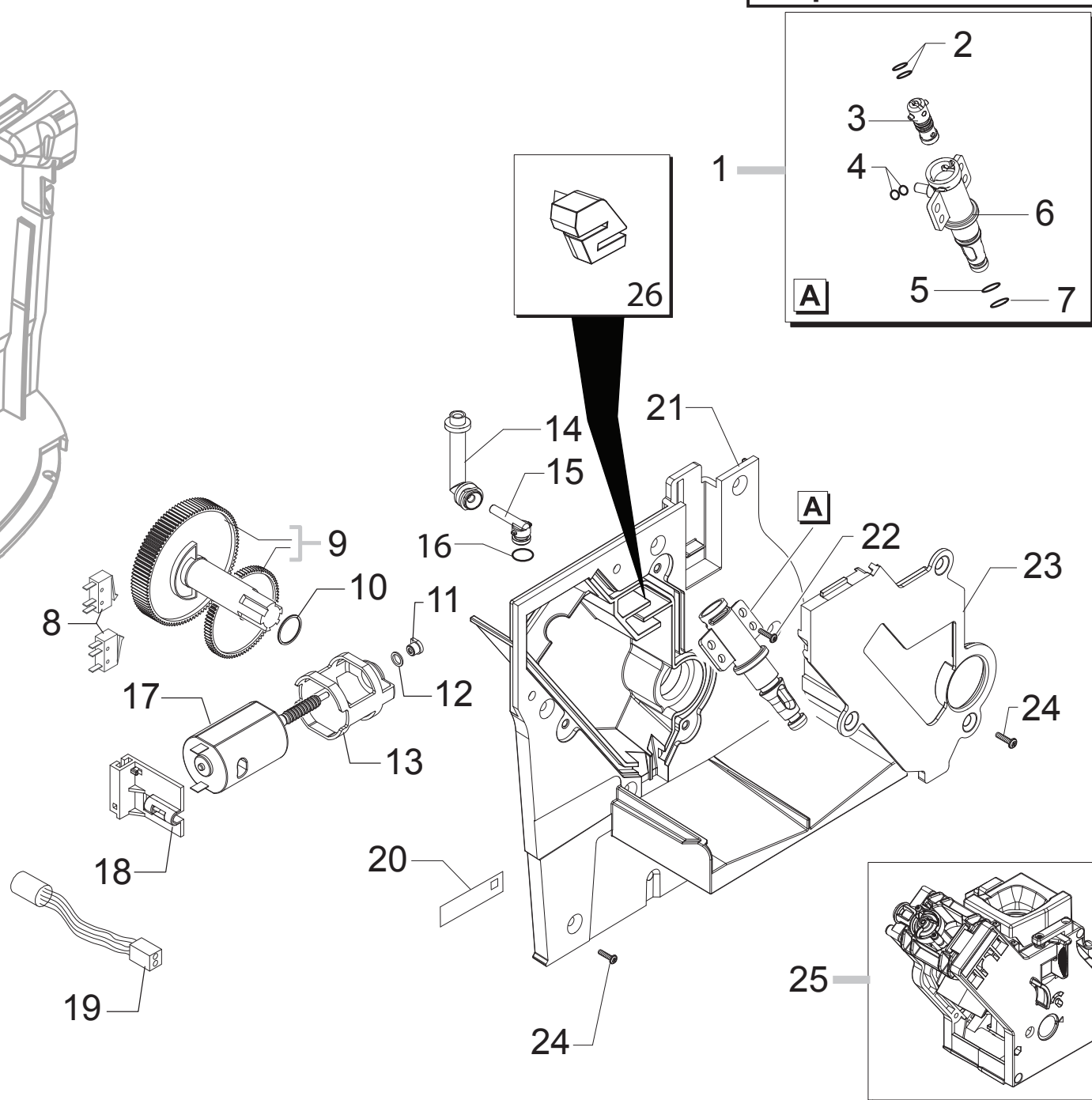
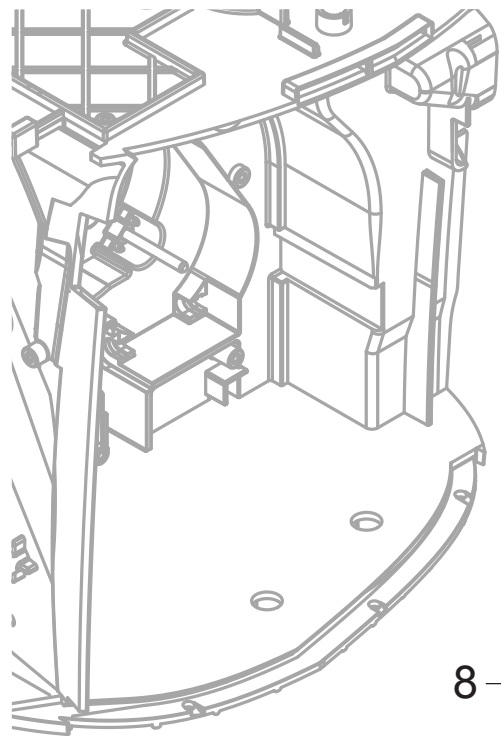
SUP032AR

RI9828/11-RI9829/11



Cod. 10003403-3404

POS	CODE	12NC	DESCRIPTION	NOTE	POS	CODE	12NC	DESCRIPTION	NOTE
01	11011205	996530005991	TEA ZAMA INCREASE SCREW GRINDER						
02	149198250	996530017951	BLK UPPER COFFEEGRINDER GRINDER SUPPORT						
03	140328960	996530013577	OR ORM 0530-15 NBR FDA						
04	146520100	996530016342	BAKED CLAY GRINDER 48X28						
05	149198350	996530017952	BLK LOWER COFFEEGRINDER GRINDER SUPPORT						
06	129574802	996530012928	SCREW TCB TORX 20 M4X30 ZN-B						
07	123030300	996530011183	AXIAL BEARING EKKO 342.35252						
08	140360500	996530013597	FELT RING 45,4X39,4X4						
09	11026355	996530068049	BLK GROUND COFF.OUTLET CONVEYOR V4 ASSY.						
10	11030459	996530072511	GRY GROUND COFFEE CONT.LOWER SEAL SMART1						
11	226000300	996530029609	GEAR SX Z=38 FOR GRINDER MOTION ASSY.						
12	11000513	996530000317	MOTOR COFFEEGRINDER V3.1 ASSY.	230V					
13	149214800	996530018139	MC V3 MOD=1,25 WORM SCREW CENTRING CAP						
14	129661702	996530012992	SCREW TCB TORX 3,5X30 PLAST.ZN-B						
15	11002873	996530001389	INSULATOR BUSH FOR GRINDER MOTOR P124						
16	11000597	996530000376	COFFEE GRINDER SUPPORT SPRING P124						
17	11001826	996530001044	COFFEE GRINDER SOUNDPROOFING COVER P0053						
18	11002508	996530001296	UPPER COFFEEGRINDER GEAR SUPPORT P124						
19	11003446	996530001673	BLACK BEAN COFFEE GRINDER INSERT P0049						
20	11003784	996530001907	COFFEE GRINDING ADJUSTMENT GEAR P0049						
21	11002572	996530001308	COFFEEGRINDER REGULATION SPRING P124						
22	11002613	996530001314	LOWER COFFEEGRINDER GEAR SUPPORT P124						
23	142905450	996530015258	BLK UPPER BODY WITH COFFEE GROUND OUTLET						
24	128381800	996530012374	STEEL CRINKLE WASHER 21,8X14X0,25						
25	123030200	996530011182	RADIAL BEARING 61900.2RS1						
26	181540900	996530022784	ELECTR.BOARD WITH SENSOR HAL506 SF-K						
27	11001367	996530000785	BLACK COFFEE GRINDER SUPPORT P0049						
28	149199050	996530017963	BLK SENSOR SUPPORT FOR COF.GRINDER MOTOR						
29	128381902	996530012375	STEEL FLAT WASHER DI=4,3 DE=14 SP=1,5						
30	129914002	996530013165	SCREW TCB TORX 10 3,5X16 PLAST.ZN-B						
31	128310402	996530012341	GALV.WASHER UNI 8842 A4						
32	11005658	996530003033	5POLES CONNECTOR MC SENSORS P0049 UL						
33	17001921	996530072477	BLK WIRING FIX INSERT FOR GRINDER BOARD						
	11007416	996530004292	GEN.MOTOR COF.GRINDER V2 P0049 230V ASSY	230V					



SUP032AR

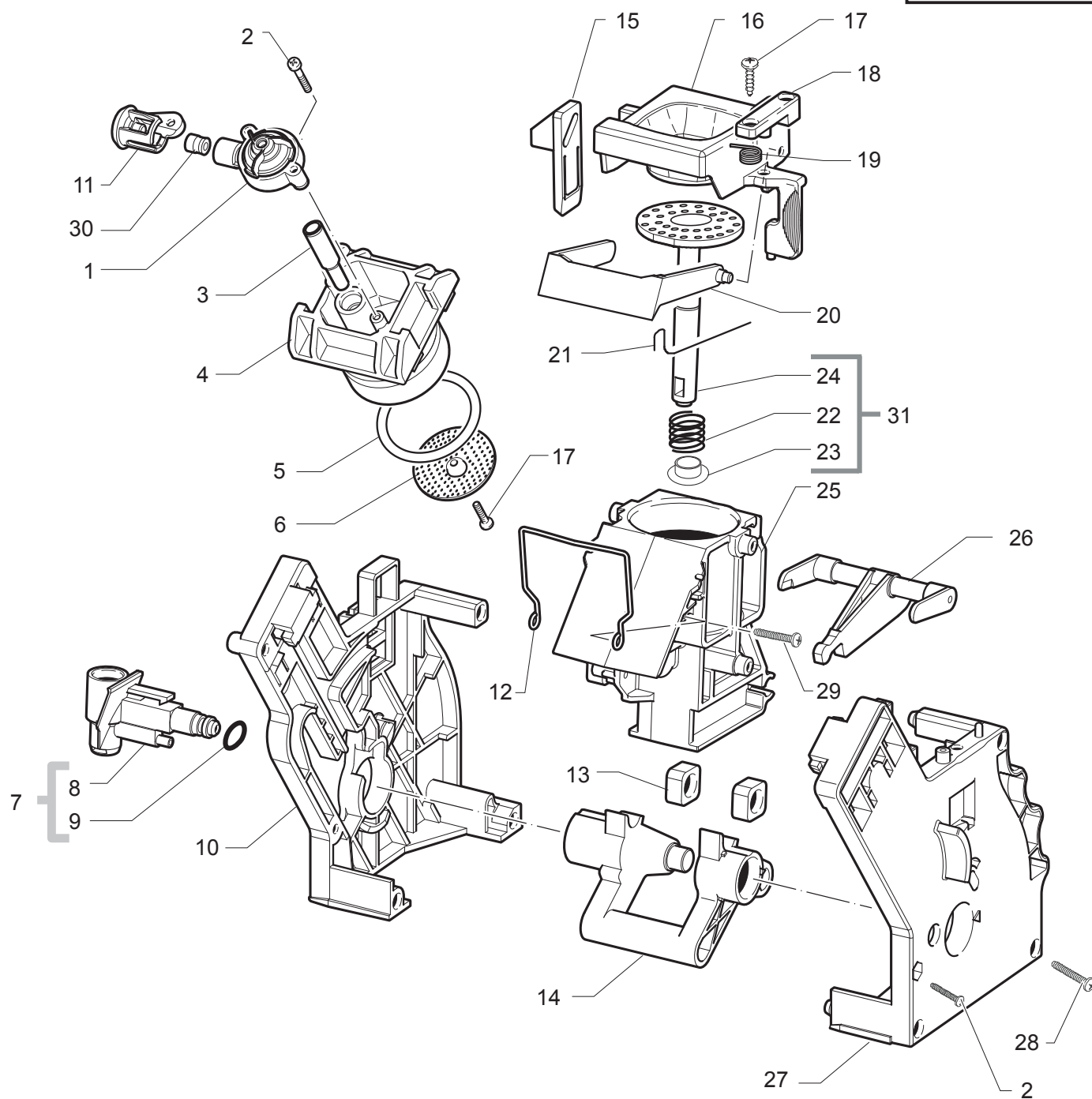
RI9828/11-RI9829/11



Cod. 10003403-3404

POS	CODE	12NC	DESCRIPTION	NOTE	POS	CODE	12NC	DESCRIPTION	NOTE
01	11005113	996530002757	PIN V2 FOR BOILER P049/B ASSY.						
02	140324459	996530013508	OR ORM 0060-20 SILICONE PTFE/FDA						
03	11003820	996530001932	BLACK CAP V2 FOR PIN BOILER P119						
04	140328059	996530013564	OR 2015 SILICONE PTFE/FDA						
05	NM01.035	996530059399	OR ORM 0090-20 SILICONE						
06	11003801	996530001926	NAT.PIN V2 FOR BOILER P119						
07	NM01.057	996530059419	OR ORM 0050-20 IN SILICONE						
08	NE05.038	996530058869	MICROSWITCH SAIA XCG5-81-P5						
09	20000900	996530009913	SPARES KIT GEARS FOR RATIOMOTOR V2						
10	9161.132	996530050569	MYLAR WASHER FOR RATIOMOTOR						
11	9121.046	996530049898	BRONZE SINTERED BUSH FOR MOTOR RATIOMOT.						
12	148380200	996530017424	BAKELIZZATE WASHER D=5,5						
13	9121.044	996530049896	ANTIVIBRATION FOR MOTOR						
14	11004086	996530002028	BLK VALVE WATER DESCARGING 90°CONN.P0049						
15	11003648	996530001805	BLK COVER WATER DESCARGING 90°CONN.P0049						
16	140325462	996530013526	OR ORM 0070-20 SILICONE						
17	11003037	996530001426	MOTOR FOR RATIOMOTOR ASSY.						
18	11001331	996530000754	BLACK DUMP BOX MICROSWITCH SUPPORT P0049						
19	11003661	996530001819	REED SENSOR MK3-1A66-BV16451						
20	11000651	996530000425	WATER LEVEL SENSOR BOARD P124						
21	11006337	996530003482	BLACK COVER MOUNTING PLATE P0049 ASSY.						
22	129914002	996530013165	SCREW TCB TORX 10 3,5X16 PLAST.ZN-B						
23	11001312	996530000748	BLACK COVER FOR BOILER VAIN P0049						
24	129914102	996530013166	SCREW TSP TORX 10 3,5X12 PLAST.ZN-B						
25	11005921	996530003229	BLACK BREW UNIT 8GR/SBS V2 P124 <b>SEE COD. EXPL. E90060 NEXT PAGE</b>						
26	11022216	996530007256	BLACK MOUNTING PLATE COVER PROTECT.P0049						





SUP030-032

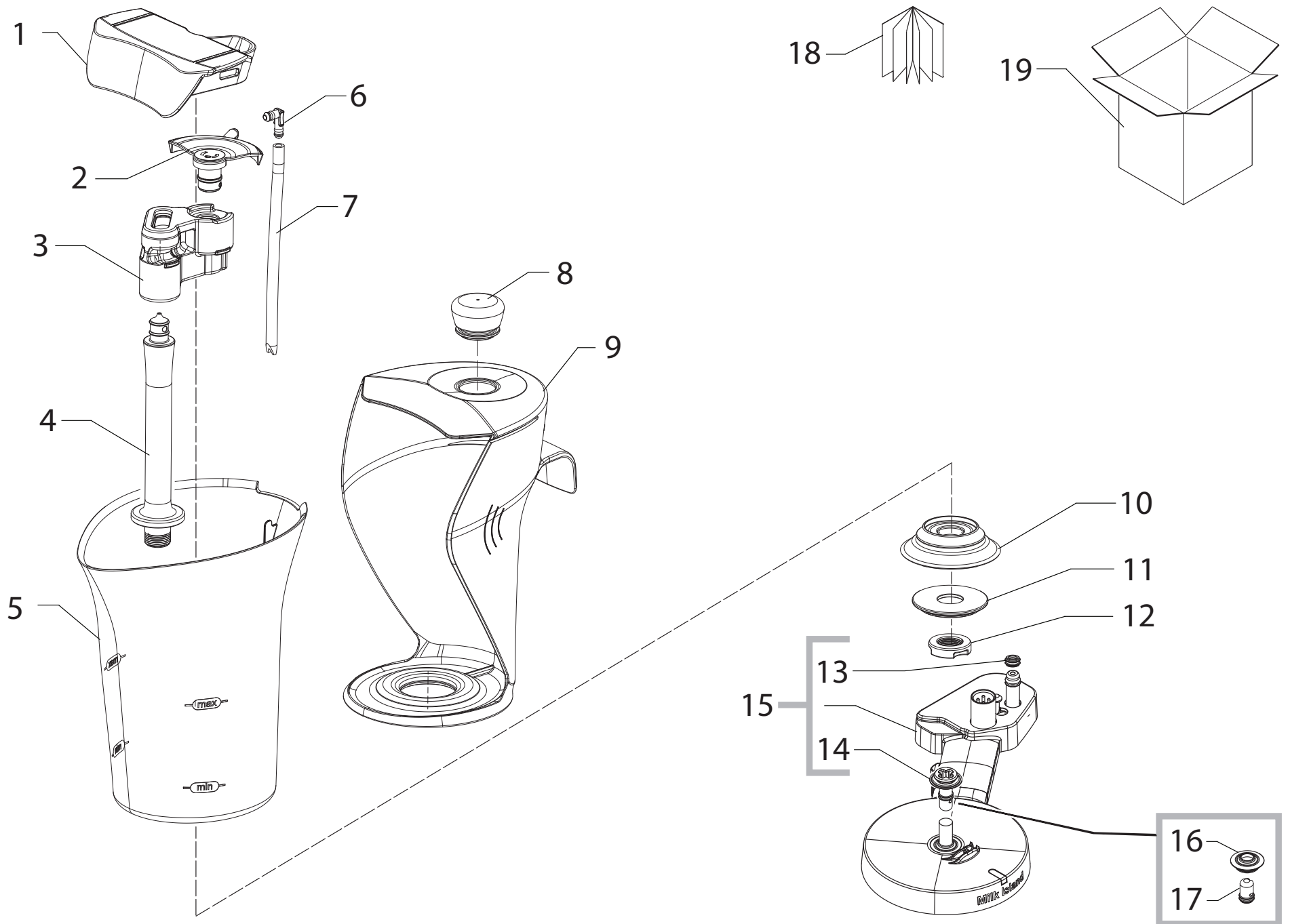


Cod. 11005921

POS	CODE	12NC	DESCRIPTION	NOTE	POS	CODE	12NC	DESCRIPTION	NOTE
01	11010660	996530005823	SBS VALVE STD ASSY.						
02	12000550	996530007838	SCREW TCB TORX 10 3X25 PLAST.SS						
03	11009276	996530005372	BLK COUNTER PISTON TUBE BREW UNIT S0053						
04	11001840	996530001046	BLACK COUNTER PISTON BREW UNIT 8GR.P124						
05	NM01.044	996530059406	OR ORM 0320-40 SILICONE PTFE/FDA						
06	9161.268	996530050709	PERCOLATOR DE=35,8 ELFO						
07	20000440	996530009825	BLACK WATER INLET SLEEVE BREW UNIT ASSY.						
08	9161.064.050	996530050488	BLACK WATER INLET SLEEVE BREW UNIT ROYAL						
09	NM02.007	996530059441	OR 2025 IN TERMOIL						
10	9161.375.050	996530050832	BLACK BREW UNIT REAR PLATE SMART						
11	145899250	996530016147	BLK COFFEE CONNECTION BREW UNIT P124						
12	11001556	996530000898	SS BREW UNIT SPRING H=49 SMART						
13	9161.094.050	996530050539	BLACK BREW UNIT DRILLED BLOCK						
14	9161.066.050	996530050492	BLACK BREW UNIT ELBOW SHAFT M5000						
15	9161.373.050	996530050827	BLACK BREW UNIT COUPLING PLATE SMART						
16	149261350	996530018241	BLACK HOPPER DOSER BREW UNIT SMART1						
17	12000895	996530007951	SCREW TSP TORX 10 3X10 PLAST.SS						
18	9161.374.050	996530050829	BLK BREWUNIT HOPPER BLOCKING PLATE SMART						
19	9161.378	996530050838	SS HOPPER SPRING FOR BREW UNIT SMART						
20	11004161	996530002096	BLACK SCRAPER FOR BREW UNIT M5000						
21	9161.046	996530050455	SS SCRAPER SPRING FOR BREW UNIT						
22	9161.198	996530050627	SS.8GR.BREW UNIT PISTON SPRING						
23	9161.191	996530050618	WHITE 8GR.-12GR.BREW UNIT PISTON BUSH						
24	11003077	996530001451	BLK BREW UNIT INTEGRAL PISTON 8GR.ASSY.						
25	11003075	996530001448	BLACK COFFEE CONTAINER BREW UNIT P124						
26	11003078	996530001452	BLACK CONNECTING ROD BREW UNIT 8GR.						
27	11005920	996530003228	BLACK BREW UNIT FRONT PLATE S/SCR.SMART						
28	12000897	996530007953	SCREW TCB TORX 10 3,5X20 PLAST.SS						
29	129912521	996530013148	SCREW TCBR TORX 10 3,5X14 PLAST.SS						
30	145857962	996530016004	BLACK COFFEE CONNECTOR INSERT SEAL P124						
31	11023086	996530007577	BLK 8GR.BREW UNIT NTEGR.PISTON GEN.ASSY.						
	11005921	996530003229	BLACK BREW UNIT 8GR/SBS V2 P124						



GRUPPO CAFFE' SBS 8GR. SBS NERO



**Saeco**  
INTERNATIONAL GROUP

**MKI002**



**Cod. 21000403**

POS	CODE	12NC	DESCRIPTION	NOTE	POS	CODE	12NC	DESCRIPTION	NOTE
01	11006051	996530003321	BLACK COVER FOR CAPPUCINAT.P0054 08L						
02	11005272	996530002818	BLACK CREAM ADJUSTM.KNOB P0054 08L.ASSY.						
03	11005229	996530002812	BLACK CASING CAPPUCINATORE P0054 08L.						
04	11006009	996530003281	BLACK STEAM TUBE FOR 08L.CARAFE P0054.						
05	11009277	996530005373	TRANSPARENT CARAFE P0054 08L.S/SCREEN						
06	11006050	996530003319	BLACK MILK TUBE CARAFE CONNECT.P0054 08L						
07	229368200	996530031652	SILICONE TUBE 3,5X6 L=120 MM						
08	11006008	996530003279	BLACK PRIMING INSERT P0054 08L.						
09	11005228	996530002811	BLACK 08L.CARAFE HANDGRIP P0054						
10	11000361	996530000236	BLACK SEAL FOR CARAFE FUND P0054						
11	11005291	996530002826	BLACK INSERT V2 FOR CARAFE FUND P0054						
12	11000349	996530000224	BLACK FERRULE OF STEAM TUBE P0054						
13	11000366	996530000242	BLACK SEAL FOR CONNECTOR P0054						
14	11009311	996530005394	BLACK SEAL FOR CONNECTOR P0054						
15	20005317	996530010167	KIT BASE V2 + HILT CARAFE P0054 08L. <b>UP TO S/N 6000</b>						
	11009442	996530005432	CARBONA BASE V2 P0054 ASSY. <b>FROM S/N 6001</b>						
16			PARTICOLARE NON DISPONIBILE <b>UP TO S/N 6000</b>	<b>ORDER 20005317</b>					
17			PARTICOLARE NON DISPONIBILE <b>UP TO S/N 6000</b>	<b>ORDER 20005317</b>					
18	15001131		MANUAL INSTRU.C.V2 SAECO MILK ISLAND 08L						
19	13000904		DISPLAY BOX V3 SAECO MILK ISLAND 08L						

**Saeco**  
INTERNATIONAL GROUP

**MILK ISLAND 0,8 L**

**TABLE 1/1**