

GAGGIA

SUP037RG

RI9305/01-03-04-05-11-12
41-43-47-48 RI9833/60-70



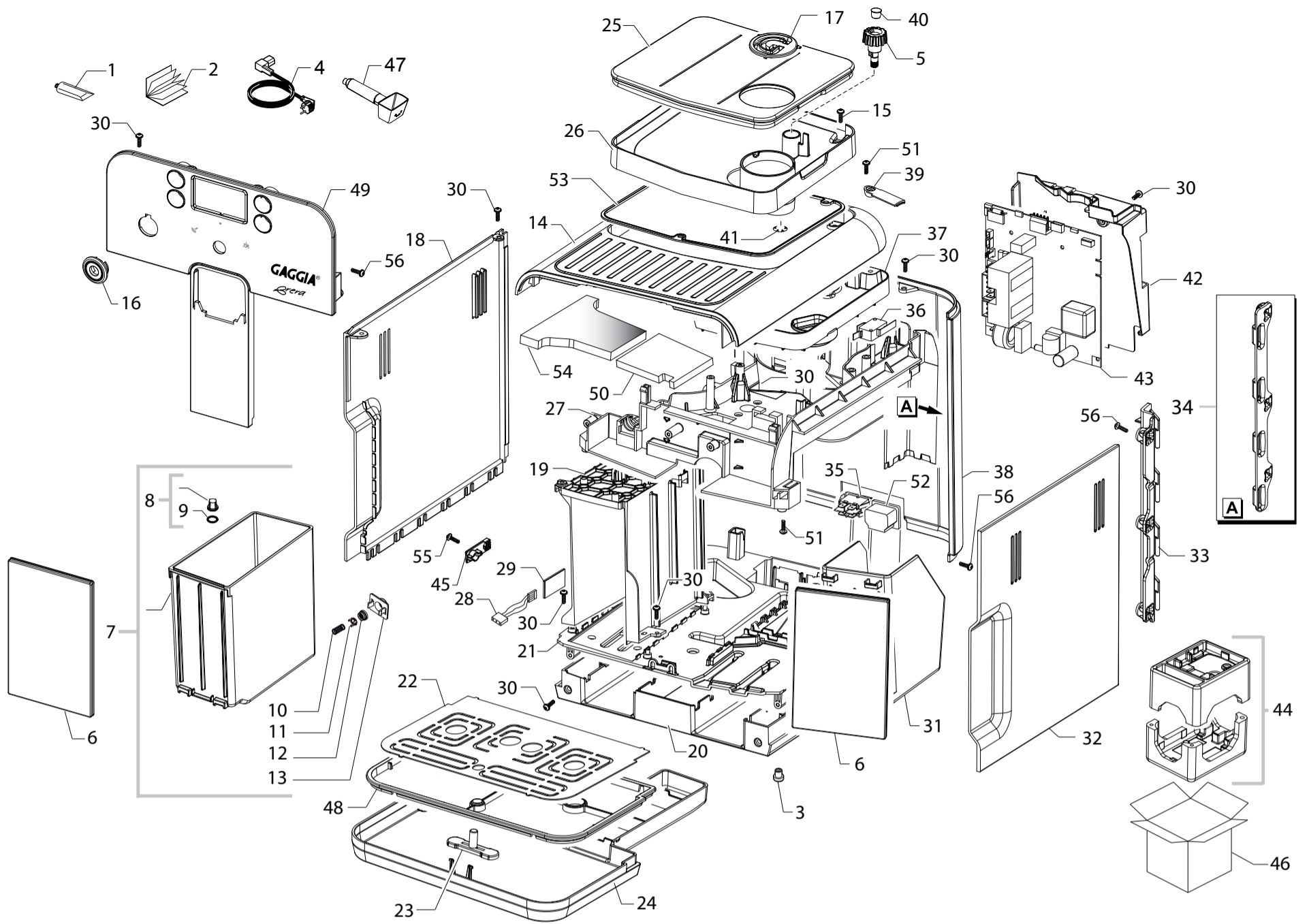
Cod.10003083-3230-3356-3357-3358-3359
Cod.10003370-3635-3636-3662-3734-3740

POS	CODE	12NC	DESCRIPTION	NOTE	POS	CODE	12NC	DESCRIPTION	NOTE
01	11022867	996530007474	GAGGIA KLUBER TRIBOSTAR SIL 2 TUBE 5GR.		21	17000432	996530066739	BLACK CASING BOTTOM XSMC	
02	15001876	996530009318	MANUAL GAG SUP037RG GXSM GB/I/D/F		22	11013857	996530006884	SS GRATE FOR DRIP TRAY GXSM/P	
	15001877	996530009319	MANUAL GAG SUP037RG GXSM E/P/NL/PL		23	11013184	996530006683	RED FLOAT FOR DRIP TRAY XSM	
	15002617	996530066724	MANUAL GAG SUP037RG GXSM GB/P		24	11022931	996530007501	SAT.MET/GREY DRIP TRAY GXSM	
	15002618	996530066725	MANUAL GAG SUP037RG GXSM CHN			11013883	996530006902	BLACK DRIP TRAY GXSM	
	15002702	996530072652	MANUAL GAG SUP037RG GXSM KOR		25	11022854	996530007467	NAT/GREY BEAN COFFEE CONTAINER LID GXSM	
03	147622800	996530016875	TRANSPARENT SILICONE FOOT		26	11012724	996530006504	NAT/GREY BEAN CONTAINER XSM	
04	183911050	996530025808	BLACK POWER CABLE SCHUKO L=1200		27	11012642	996530006446	BLACK COFFEEGRINDER PLATE XSM	
	183921950	996530025843	POWER CABLE SJT3 USA BLACK UL L=1200		28	11013709	996530006833	3POLES CONNECTOR WATER LEVEL XSM UL	
	183930650	996530025858	POWER CABLE CH BLACK 3X1 H05VV-F L=1200		29	11003232	996530001522	AS.CPU+SW WATER LEVEL SENSOR V2	
	183970350	996530025882	BLACK POWER CABLE UK L=1200		30	12000450	996530007819	SCREW TCBR TORX 10 3,5X12 PLAST.ZN-N	
	11004247	996530002167	BLACK POWER CABLE RVV 3X1 CHINA L=1200		31	11012709	996530006491	BLACK DUMP BOX XSM	
	183940650	996530025872	BLACK POWER CABLE AUSTRALIA L=1200		32	11030760	996530072654	GMS DOOR RIGHT SIDE GXSM ASSY.	
	17800019	996530009627	BLACK POWER CABLE BRAZIL L=1200			11030759	996530072655	901510/BLK DOOR RIGHT SIDE GXSM ASSY	
	11001985	996530001089	BLACK POWER CABLE KOREA L=1200		33	11012713	996530006494	BLACK HINGE FOR DOOR RIGHT SIDE XSM	
05	11013206	996530006689	BLACK GRIND.ADJUSTMENT KNOB XSM		34	11012714	996530006495	BLACK HINGE FOR REAR CASING XSM	
06	11021742	996530007124	BLACK-SB/SS CONTAINERS COVER GXSM ASSY.		35	NE03.038	996530058836	BIPOLAR SWITCH FUSIT C1250AR	
07	11013093	996530006619	NAT/GREY WATER CONTAINER XSM ASSY.		36	NE05.013	996530058847	MICROSWITCH SAIA XGK52-81-J23	
08	224640200	996530029115	WHITE WATER CONTAINER EXT.FILTER ASSY.		37	17000431	996530066738	COFFEE GRINDER SOUNDPROOFING COVER XSMC	
09	140328461	996530013571	OR ORM 0190-10 EPDM		38	11014196	996530007035	BLACK REAR CASING GXSM	
10	11003672	996530001831	SS SPRING FOR WATER CONTAIN.VALVE P0049		39	11022934	996530007504	SAT.MET/GREY COVER INFRAREDS ACCESS GXSM	
11	11003673	996530001832	GREY WATER CONTAINER VALVE INSERT P0049			11014031	996530006973	BLACK COVER INFRAREDS ACCESS GXSM	
12	11003671	996530001829	TRANSP.VALVE FOR WATER CONTAINER P0049		40	149213000	996530018115	TRANSP.CAP FOR KNOBS BEAN CONTAINER	
13	11001298	996530000733	BLACK LID FOR DUCKBILL VALVE P0049		41	120350604	996530010768	SHAFT 6 UNI 7434	
14	11022932	996530007502	GMS UPPER CASING COVER GXSM		42	11012301	996530006364	BLACK PWR/CPU BOARD PROTECTION P0057	
	11013882	996530006901	9005/BLACK UPPER CASING COVER GXSM		43	11027925	996530071874	AS.CPU+SW XSM SLIM	230V
15	129660102	996530012968	PANELVIT TCB SCREW 3,5X18 D.7505 Z			11026608	996530067857	AS.CPU+SW XSM/H V3 120V	120 UL-127 BRA
16	11021337	996530007076	CHROM.FRONTAL PANEL CAP GXSM		44	20007054	996530071496	KIT PS-E INSERT FOR BOX GXSM	
	11027517	996530070314	CHROM.FRONTAL PANEL CAP V2 GXSM		45	17000064	996530067437	BLK CAPACIT.SENSOR DEADLOCK INSERT XSM	
			UP TO S/N. TU9011029097424		46	13000999	996530008394	DISPLAY BOX GXSM GAG BRERA LED	
			FROM S/N. TU9011029097425		47	146680850	996530016529	BLACK COFFEE MEASURE SMART	
17	11013876	996530006896	NAT/GREY GROUND COFFEE HOPPER LID GXSM		48	11022933	996530007503	SAT.MET/GREY DRIP TRAY GRATE SUPP.GXSM	
18	11022930	996530007499	GMS CASING LEFT SIDE GXSM			11013858	996530006885	BLACK DRIP TRAY GRATE SUPPORT GXSM	
	11013880	996530006898	9005/BLACK CASING LEFT SIDE GXSM		49	11021744	996530007126	BLK/SS FRONTAL PANEL S/SCR.GXSM/P ASSY.	
19	11012708	996530006489	BLACK CASING BOTTOM INSERT XSM		50	17000119	996530066731	UPPER COVER CASING INSUL.PROTECT.GXSM UL	120 UL-127 BRA
20	11022419	996530007362	GMS CASING BOTTOM COVER XSM		51	129912521	996530013148	SCREW TCBR TORX 10 3,5X14 PLAST.SS	
	11012681	996530006464	BLACK CASING BOTTOM COVER XSM		52	12000280	996530007788	CUP SOCKET EN 60320 C 13	

GAGGIA

BRERA LED

TABLE 1a/5



GAGGIA

SUP037RG

RI9305/01-03-04-05-11-12
41-43-47-48 RI9833/60-70



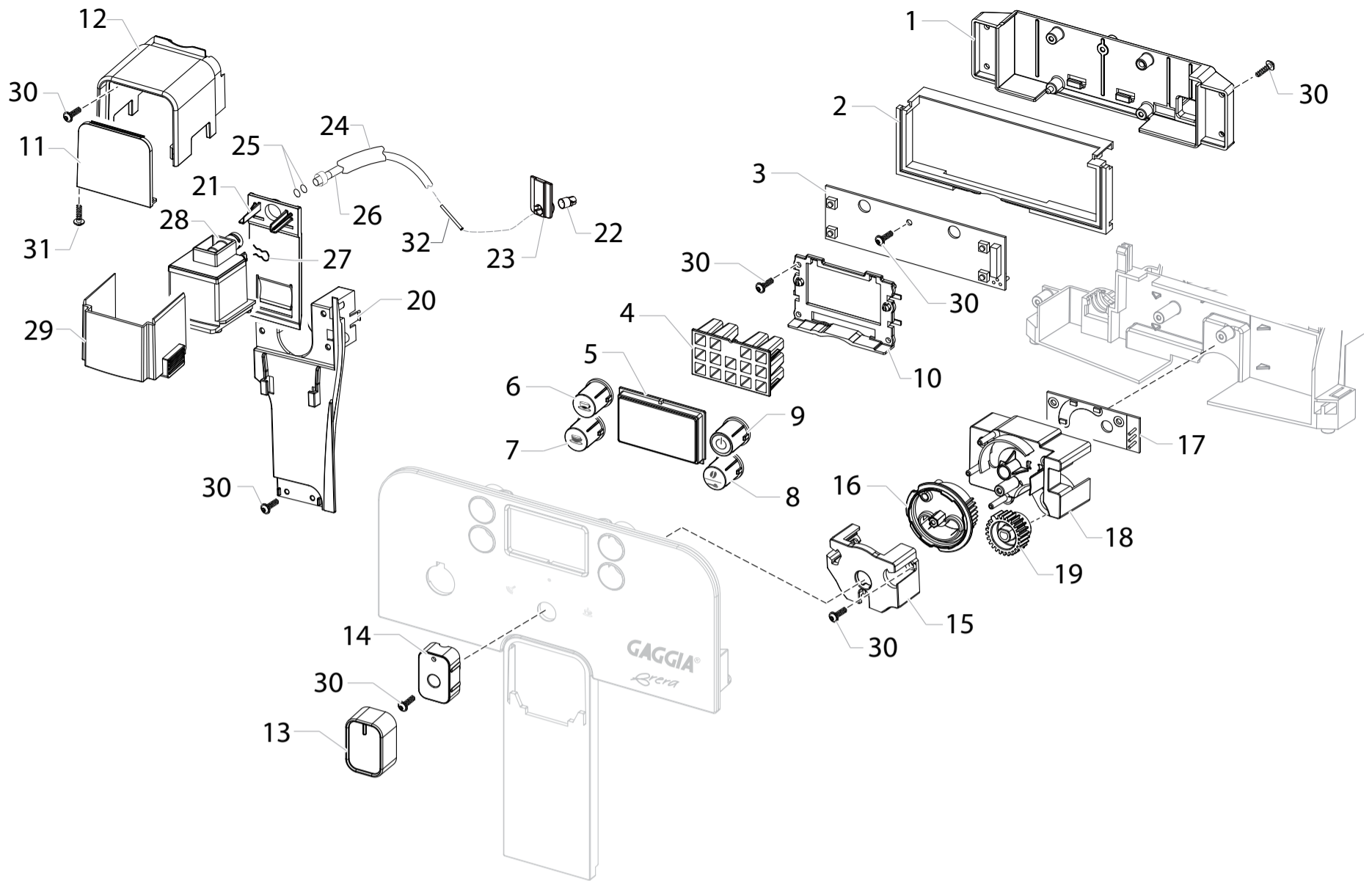
Cod.10003083-3230-3356-3357-3358-3359
Cod.10003370-3635-3636-3662-3734-3740

POS	CODE	12NC	DESCRIPTION	NOTE	POS	CODE	12NC	DESCRIPTION	NOTE
52	12001645	996530069782	CUP SOCKET V2 EN 60320 C 13	120V					
53	11023102	996530007579	BLACK BEAN COFFEE CONTAIN.SEAL GXSM						
54	11023103	996530007581	UPPER COVER CASING INSUL.PROTECTION GXSM						
55	129913202	996530013156	SCREW TCB TORX 10 3X8 PLAST.ZN-B						
56	12001728	996530070321	SCREW TCB TORX 10 3,5X12 PLAST.SS						

GAGGIA

BRERA LED

TABLE 1b/5



GAGGIA

SUP037RG

RI9305/01-03-04-05-11-12
41-43-47-48 RI9833/60-70



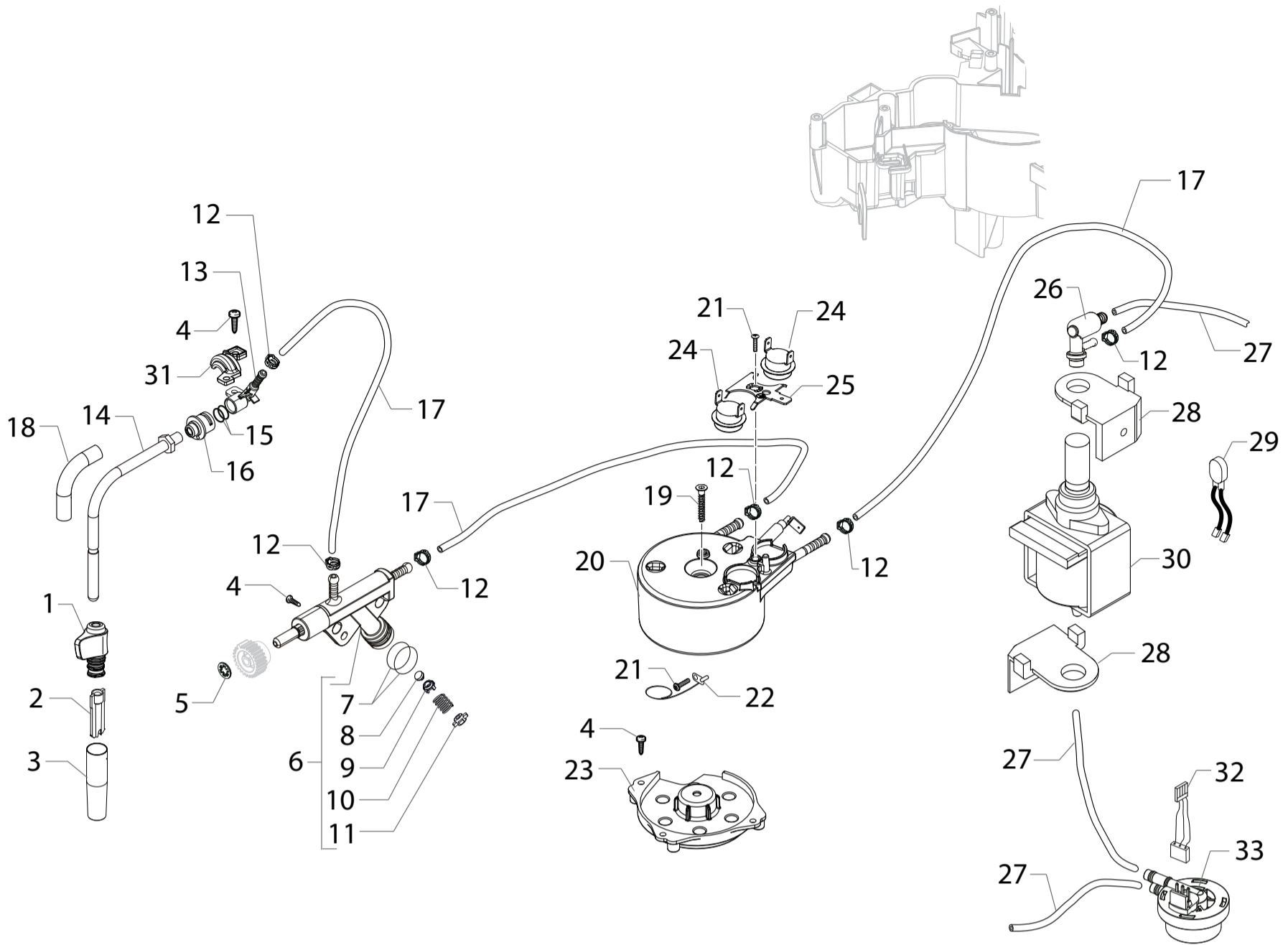
Cod.10003083-3230-3356-3357-3358-3359
Cod.10003370-3635-3636-3662-3734-3740

POS	CODE	12NC	DESCRIPTION	NOTE	POS	CODE	12NC	DESCRIPTION	NOTE
01	11013856	996530006883	BLACK CPU BOARD SUPPORT GXSM/P						
02	11013859	996530006886	BLACK TOUCH PANEL SEAL GXSM/P						
03	11021372	996530007088	INTERFACE LED BOARDS+UL CABL.GXSM/P ASSY						
04	11023369	9965300067947	WHITE GUIDE LIGHT SUPPORT GXSM						
05	11013893	996530006913	TRANSP.GLASS FOR LED GXSM/P						
06	11021887	996530007186	BLACK SHORT COFFEE CUP BUTTON GXSM						
07	11021886	996530007185	BLACK LONG COFFEE CUP BUTTON GXSM						
08	11021888	996530007187	BLACK AROMA COFFEE BUTTON GXSM						
09	11021889	996530007188	BLACK.ON/OFF BUTTON GXSM						
10	11013889	996530006908	BLACK CPU BOARD RETAINING INSERT GXSM						
11	11021362	996530007084	CHROM.COFFEE DISPENSER FRONT PLATE GXSM						
12	11021339	996530007078	CHROM.COFFEE DISPENSER SUPPORT GXSM						
13	11021338	996530007077	CHROM.CONTROL KNOB COVER GXSM/P						
14	11013886	996530006905	NATURAL CONTROL KNOB GXSM/P						
15	11014090	996530006985	BLACK CONTROL KNOB SUPPORT COVER GXSM						
16	11013117	996530006632	BLACK CONTROL KNOB SUPPORT XSM ASSY.						
17	11014029	996530006971	KEYBOARD TAP SENSOR GXSM						
18	11012704	996530006486	BLACK KNOB ELECTR.BOARD SUPPORT XSM						
19	11004120	996530002059	WHITE STEAM/WATER GEAR Z=26 P0057						
20	11012707	996530006488	BLACK FRONT PANEL SUPPORT XSM						
21	11013829	996530006872	BLACK COF.DISPENSER MOBILEPART SUPP.GXSM						
22	11005101	996530002749	BLACK BUSH FOR TEFLON TUBE 2X4 P124						
23	11005100	996530002748	PLATE FOR BUSH TEFLON TUBE 2X4 P124						
24	149361200	996530018278	BLACK SILICONE TUBE 7,5X9,3	IN ROLL					
25	140328059	996530013564	OR 2015 SILICONE PTFE/FDA						
26	11004132	996530002073	TEFLON TUBE 2X4 L=250 MM ASSY.						
27	9011.144	996530048885	SS FORK FOR TUBE D=4						
28	11013070	996530006603	BLACK COFFEE DISPENSER XSM ASSY.						
29	11013828	996530006871	BLACK COFFEE DISPENSER MOBILE PART GXSM						
30	12000450	996530007819	SCREW TCB TORX 10 3,5X12 PLAST.ZN-N						
31	129912902	996530013153	SCREW TCB TORX 10 AB 2,9X6,5 SHEET ZN-B						
32	17000266	996530071774	SS.L=22,6MM INT.BUSH FOR TEFLON TUBE D4						

GAGGIA

BRERA LED

TABLE 2/5



GAGGIA

SUP037RG

RI9305/01-03-04-05-11-12
41-43-47-48 RI9833/60-70



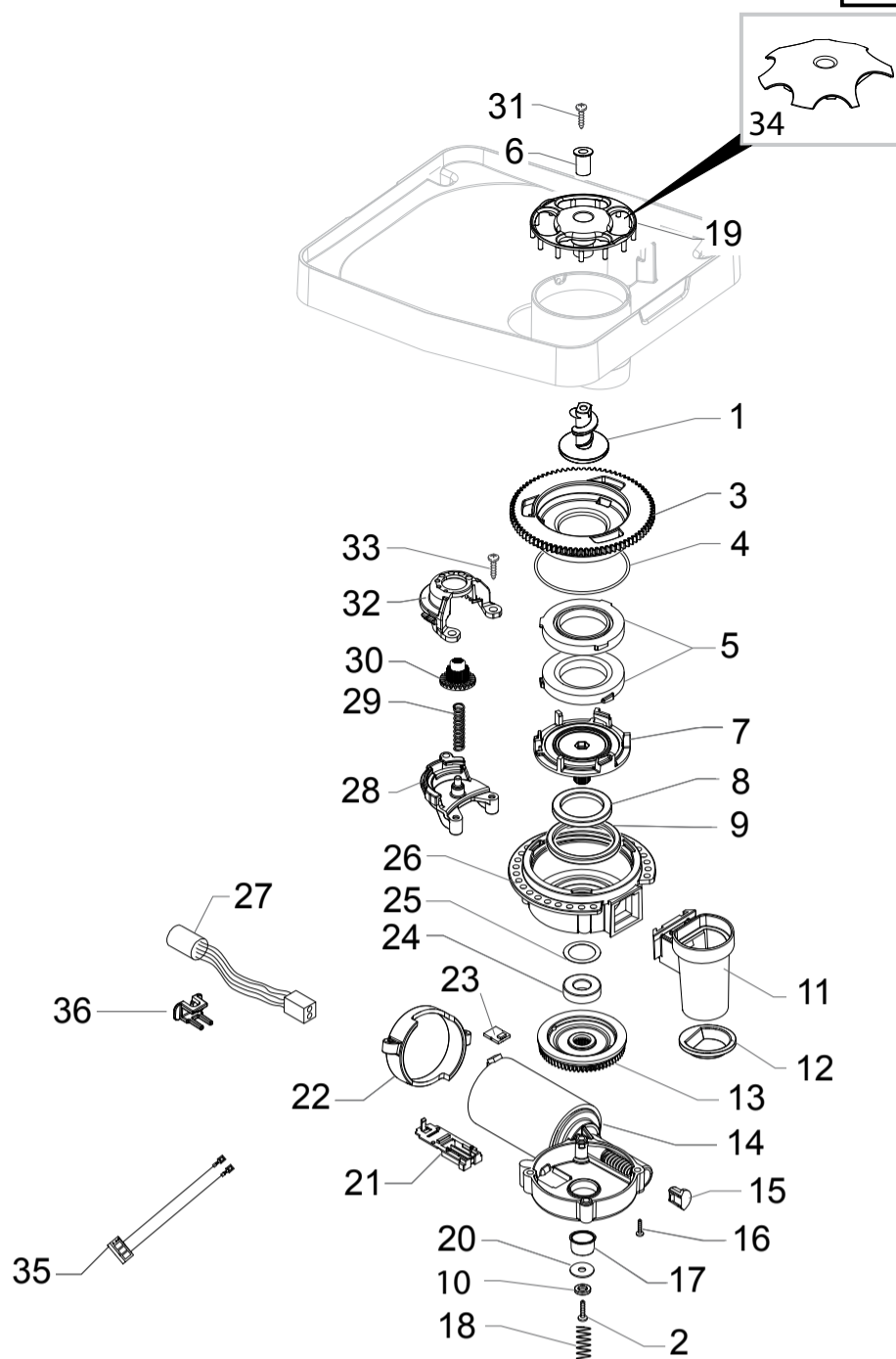
Cod.10003083-3230-3356-3357-3358-3359
Cod.10003370-3635-3636-3662-3734-3740

POS	CODE	12NC	DESCRIPTION	NOTE	POS	CODE	12NC	DESCRIPTION	NOTE
01	11007194	996530004127	BLACK STEAM TUBE HANDGRIP G0053			11026683	996530069759	SLIM TUB.BOIL.STD C1 T190° AS	230V 1300W
02	11001620	996530000925	BLACK PANNELLO INNER TUBE P0049			11026684	996530069761	SLIM TUB.BOIL.STD C1 T190° AS	120V 1300W
03	11001621	996530000926	SS PANNELLO COVER P0049					WITH PART.N°20-21-22-24-25	
04	12000450	996530007819	SCREW TCBR TORX 10 3,5X12 PLAST.ZN-N						
05	128210600	996530012336	ELASTIC WASHER FOR SHAFT D=6MM						
06	11012381	996530006383	FLOW SELECTOR FAUCET V2 P0057						
07	12000893	996530007948	OR ORM 0120-20 BLACK EPDM						
08	11008104	996530004722	MUSHROOM VALVE FOR FLOW SELECTOR P0057						
09	11008105	996530004723	FLOW SELECTOR VALVE SUPPORT P0057						
10	11008077	996530004709	STEEL FLOW SELECTOR VALVE SPRING P0057						
11	11008106	996530004724	FLOW SELECTOR VALVE CAP P0057						
12	12000892	996530007947	OETIKER CLAMP D=9,5 16700004						
13	11005757	996530003103	STEAM TUBE SUPPORT P0057						
14	11014042	996530006978	TF/CHROM.STEAM TUBE GXSM ASSY.						
15	140324461	996530013509	OR ORM 0060-20 TERMOIL						
16	11011127	996530005979	BLACK PA6 BUSH FOR STEAM TUBE P0057						
17	16000380	996530009505	5X8,9 SILICONE TUBE	IN ROLL					
18	11012923	996530006574	CHROM.STEAM TUBE PROTECTION XSM UP TO S/N. TU9011029097424						
19	12001369	996530008039	SCREW TSP TORX 10 5X35 PLAST.SS						
20	11013735	996530006841	SLIM TUB.BOILER ASSY.	230V 1300W					
	11023153	996530007586	SLIM TUB.BOILER ASSY.	120V 1300W					
21	12001715	996530069758	SCREW TCB TORX 20 M4X8 AUTOFORMING ZN-B						
22	190800100	996530026997	TEMPERATURE SENSOR NTC UL L=280MM						
23	11022791	996530007442	BLACK SLIM/EXSL TUB.BOILER SUPPORT						
24	12001033	996530007973	THERMOSTAT ONE SHOT 190°						
25	11001751	996530000997	TUB.BOILER V3 UPPER THERM.FIXING SPRING						
26	11004689	996530002484	TEA/BRASS SAFETY VALVE 16-18 BAR ASSY.						
27	JS01.022	996530057357	SILICONE TUBE 5X10 60SH	IN ROLL					
28	149205850	996530018056	BLACK TYPE ULKA PUMP W/BEVEL SUPPORT						
29	11009747	996530005496	2POLES CONNECTOR PUMP P0057 UL						
30	12000140	996530007753	ULKA PUMP EP5/S GW	230V-50HZ					
	12000142	996530007754	ULKA PUMP EAP5/S	120V-60HZ					
	12000182	996530007782	ULKA PUMP EP5/S GW	220V-60HZ					
31	11013894	996530006914	BLACK FORK FOR STEAM TUBE GXSM						
32	11005948	996530003241	3POLES CONNECTOR FLOWMETER P0057						
33	NV99.099	996530059843	TURBINE D=1,2 932-8521/00 ASSY.						

GAGGIA

BRERA LED

TABLE 3/5



GAGGIA

SUP037RG

**RI9305/01-03-04-05-11-12
41-43-47-48 RI9833/60-70**



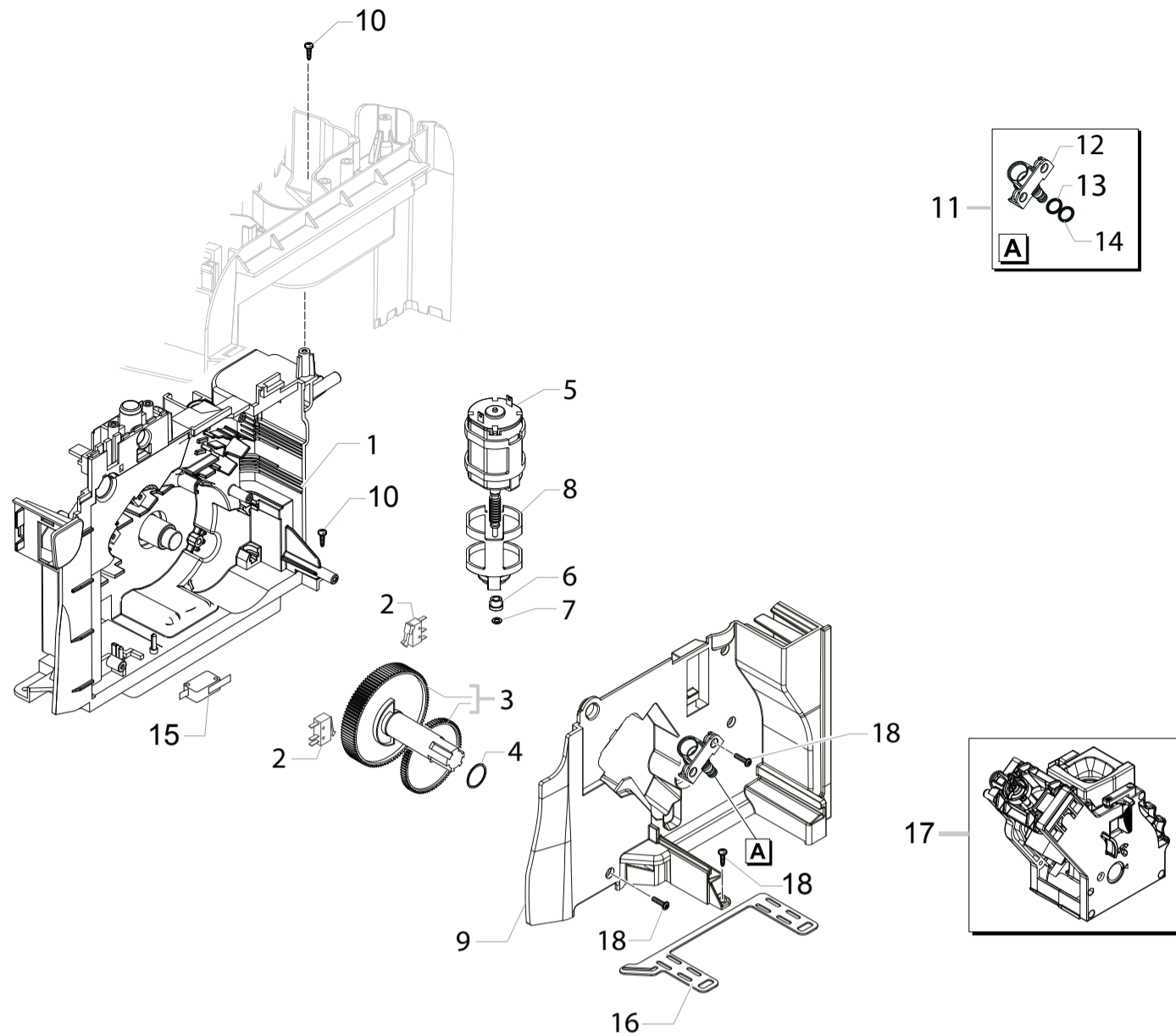
**Cod.10003083-3230-3356-3357-3358-3359
Cod.10003370-3635-3636-3662-3734-3740**

POS	CODE	12NC	DESCRIPTION	NOTE	POS	CODE	12NC	DESCRIPTION	NOTE
01	11010031	996530005586	TEA/ZAMA INCREASE SCREW GRINDER		36	17001921	996530072477	BLK WIRING FIX INSERT FOR GRINDER BOARD	
	11024208	996530066712	TEA SHORT ZAMA INCREASE SCREW GRINDER	USA UL		11006059	996530003327	GEN.MOTOR COF.GRINDER STD P0057 ASS	230V
02	129574802	996530012928	SCREW TCB TORX 20 M4X30 ZN-B			11024242	996530066713	GEN.MOTOR COF.GRINDER V3 P0057 ASSY	120V UL
03	149198250	996530017951	BLK UPPER COFFEEGRINDER GRINDER SUPPORT						
04	140328960	996530013577	OR ORM 0530-15 NBR FDA						
05	146520100	996530016342	BAKED CLAY GRINDER 48X28						
06	11012466	996530006412	BRASS BUSH BEAN CONT.FINGER PROTEC.P0057						
07	149198350	996530017952	BLK LOWER COFFEEGRINDER GRINDER SUPPORT						
08	123030300	996530011183	AXIAL BEARING EKKO 342.35252						
09	140360500	996530013597	FELT RING 45,4X39,4X4						
10	128310402	996530012341	GALV.WASHER UNI 8842 A4						
11	11026355	996530068049	BLK GROUND COFF.OUTLET CONVEYOR V4 ASSY.						
12	11030459	996530072511	GRY GROUND COFFEE CONT.LOWER SEAL SMART1						
13	226000300	996530029609	GEAR SX Z=38 FOR GRINDER MOTION ASSY.						
14	11000513	996530000317	MOTOR COFFEEGRINDER V3.1 ASSY.	230V					
	11000511	996530000315	MOTOR COFFEEGRINDER V3.1 ASSY.	120V					
15	149214800	996530018139	MC V3 MOD=1,25 WORM SCREW CENTRING CAP						
16	129661702	996530012992	SCREW TCB TORX 3,5X30 PLAST.ZN-B						
17	11002873	996530001389	INSULATOR BUSH FOR GRINDER MOTOR P124						
18	11000597	996530000376	COFFEE GRINDER SUPPORT SPRING P124						
19	11014285	996530007058	BLK V2 BEAN CONTAIN.FINGER PROTECT.P0057	EXCEPT USA					
20	128381902	996530012375	STEEL FLAT WASHER DI=4,3 DE=14 SP=1,5						
21	149199050	996530017963	BLK SENSOR SUPPORT FOR COF.GRINDER MOTOR						
22	11000194	996530000115	BLACK COFFEEGRINDER MOTOR SUPPORT P124						
23	181540900	996530022784	ELECTR.BOARD WITH SENSOR HAL506 SF-K						
24	123030200	996530011182	RADIAL BEARING 61900.2RS1						
25	128381800	996530012374	STEEL CRINKLE WASHER 21,8X14X0,25						
26	142905450	996530015258	BLK UPPER BODY WITH COFFEE GROUND OUTLET						
27	11008871	996530005073	3 POLES CONNECTOR MC SENSOR S0053 UL						
28	11002613	996530001314	LOWER COFFEEGRINDER GEAR SUPPORT P124						
29	11002572	996530001308	COFFEEGRINDER REGULATION SPRING P124						
30	11003784	996530001907	COFFEE GRINDING ADJUSTMENT GEAR P0049						
31	U043.004	996530061808	ZN-B TCB SCREW M4X16						
32	11002508	996530001296	UPPER COFFEEGRINDER GEAR SUPPORT P124						
33	129914002	996530013165	SCREW TCB TORX 10 3,5X16 PLAST.ZN-B						
34	11022841	996530007463	TRANS.BEAN CONTAIN.FINGER PROTECT.XSM UL	USA UL					
35	11008869	996530005071	2P.CONNECT.COFFEE GRINDER MOTOR S0053						

GAGGIA

BRERA LED

TABLE 4/5



GAGGIA

SUP037RG

RI9305/01-03-04-05-11-12
41-43-47-48 RI9833/60-70



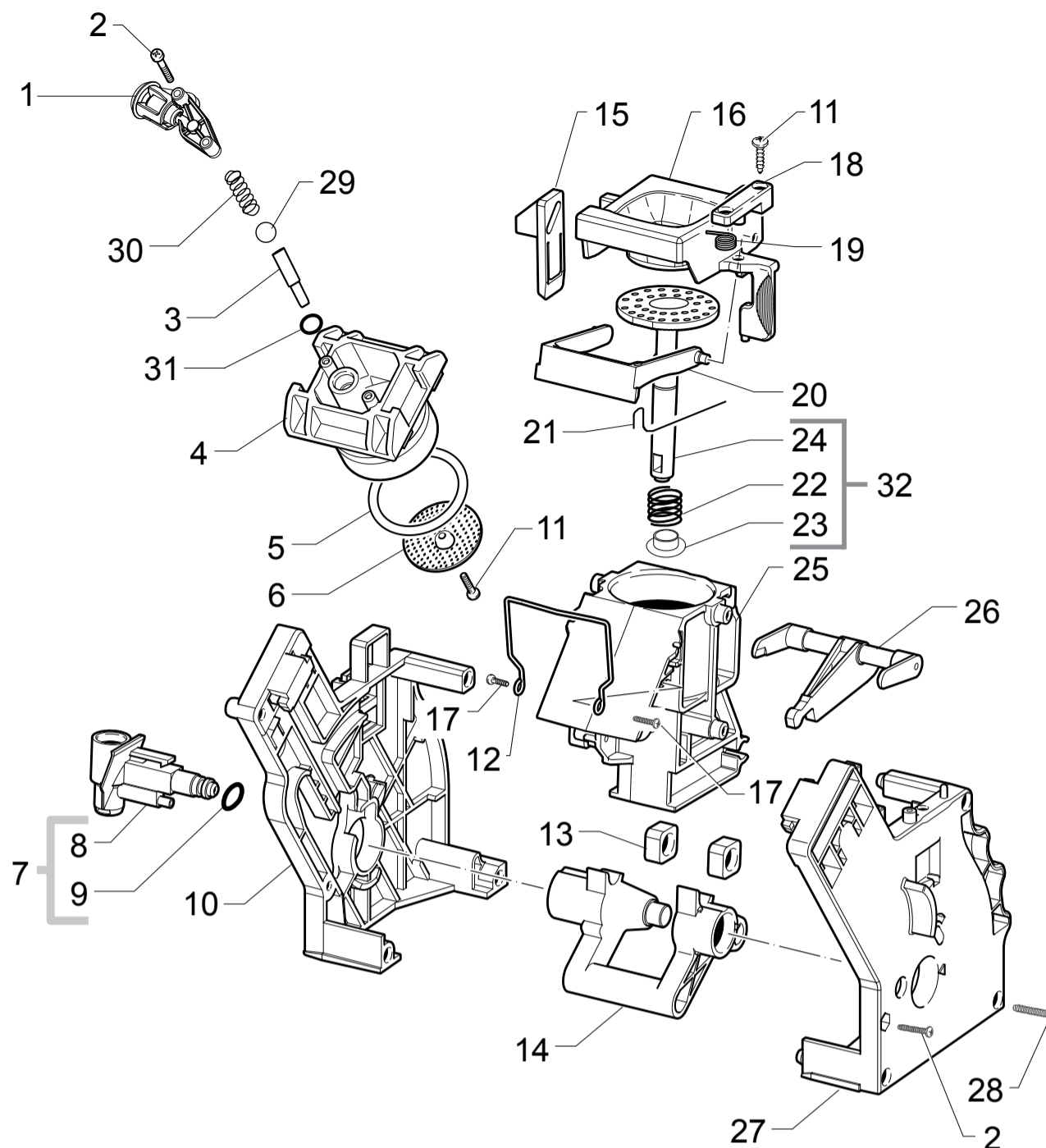
Cod.10003083-3230-3356-3357-3358-3359
Cod.10003370-3635-3636-3662-3734-3740

POS	CODE	12NC	DESCRIPTION	NOTE	POS	CODE	12NC	DESCRIPTION	NOTE
01	17000366	996530066736	BLK RATIOMOTOR MOUNTING PLATE XSMC ASSY.						
02	NE05.038	996530058869	MICROSWITCH SAIA XCG5-81-P5						
03	20000900	996530009913	SPARES KIT GEARS FOR RATIOMOTOR V2						
04	9161.132	996530050569	MYLAR WASHER FOR RATIOMOTOR						
05	11003037	996530001426	MOTOR FOR RATIOMOTOR ASSY.						
06	9121.046	996530049898	BRONZE SINTERED BUSH FOR MOTOR RATIOMOT.						
07	148380200	996530017424	BAKELIZZATE WASHER D=5,5						
08	9121.044	996530049896	ANTIVIBRATION FOR MOTOR						
09	11003754	996530001899	BLK RATIOMOT.MOUNTING PLATE COVER P0057						
10	12000450	996530007819	SCREW TCBR TORX 10 3,5X12 PLAST.ZN-N						
11	11013531	996530006805	PIN FOR FLOW SELECTOR FAUCET P0057 ASSY.						
12	11013530	996530006804	PIN FOR FLOW SELECTOR FAUCET V2 P0057						
13	NM01.035	996530059399	OR ORM 0090-20 SILICONE						
14	NM01.057	996530059419	OR ORM 0050-20 IN SILICONE						
15	12001644	996530072978	MICROSWITCH SIGNAL XG/V3D/S10						
16	11013205	996530006688	BLACK SEAL FOR RATIOMOTOR PLATE XSM						
17	11012382	996530006384	BLACK BREW UNIT 8GR.5BAR P0057						
18	12001728	996530070321	SCREW TCBR TORX 10 3,5X12 PLAST.SS						
			SEE EXP. CODE E90067 NEXT PAGE						

GAGGIA

BRERA LED

TABLE 5/5



Saeco
INTERNATIONAL GROUP



Cod. 11012382

POS	CODE	12NC	DESCRIPTION	NOTE	POS	CODE	12NC	DESCRIPTION	NOTE
01	11009362	996530005415	BLK COF.OUTLET SLEEVE BREW UNIT S0053 AS						
02	12000550	996530007838	SCREW TCB TORX 10 3X25 PLAST.SS						
03	11009276	996530005372	BLK COUNTER PISTON TUBE BREW UNIT S0053						
04	11001840	996530001046	BLACK COUNTER PISTON BREW UNIT 8GR.P124						
05	NM01.044	996530059406	OR ORM 0320-40 SILICONE PTFE/FDA						
06	9161.268	996530050709	PERCOLATOR DE=35,8 ELFO						
07	20000440	996530009825	BLACK WATER INLET SLEEVE BREW UNIT ASSY.						
08	9161.064.050	996530050488	BLACK WATER INLET SLEEVE BREW UNIT ROYAL						
09	NM02.007	996530059441	OR 2025 IN TERMOIL						
10	9161.375.050	996530050832	BLACK BREW UNIT REAR PLATE SMART						
11	12000895	996530007951	SCREW TSP TORX 10 3X10 PLAST.SS						
12	11001556	996530000898	SS BREW UNIT SPRING H=49 SMART						
13	9161.094.050	996530050539	BLACK BREW UNIT DRILLED BLOCK						
14	9161.066.050	996530050492	BLACK BREW UNIT ELBOW SHAFT M5000						
15	9161.373.050	996530050827	BLACK BREW UNIT COUPLING PLATE SMART						
16	149261350	996530018241	BLACK HOPPER DOSER BREW UNIT SMART1						
17	129912521	996530013148	SCREW TCB TORX 10 3,5X14 PLAST.SS						
18	9161.374.050	996530050829	BLK BREWUNIT HOPPER BLOCKING PLATE SMART						
19	9161.378	996530050838	SS HOPPER SPRING FOR BREW UNIT SMART						
20	11004161	996530002096	BLACK SCRAPER FOR BREW UNIT M5000						
21	9161.046	996530050455	SS SCRAPER SPRING FOR BREW UNIT						
22	9161.198	996530050627	SS.8GR.BREW UNIT PISTON SPRING						
23	9161.191	996530050618	WHITE 8GR.-12GR.BREW UNIT PISTON BUSH						
24	11003077	996530001451	BLK BREW UNIT INTEGRAL PISTON 8GR.ASSY.						
25	11003075	996530001448	BLACK COFFEE CONTAINER BREW UNIT P124						
26	11003078	996530001452	BLACK CONNECTING ROD BREW UNIT 8GR.						
27	11005920	996530003228	BLACK BREW UNIT FRONT PLATE S/SCR.SMART						
28	12000897	996530007953	SCREW TCB TORX 10 3,5X20 PLAST.SS						
29	9991.168	996530051874	GLASS SPHERE D.5 MM						
30	11012095	996530006305	SS COFFEE UNIT CONTERPISTON SPRING S0053						
31	140328761	996530013575	OR ORM 0060-15 TERMOIL						
32	11023086	996530007577	BLK 8GR.BREW UNIT NTEGR.PISTON GEN.ASSY.						
	11012382	996530006384	BLACK BREW UNIT 8GR.5BAR P0057						

Saeco
INTERNATIONAL GROUP

BLACK BREW UNIT 8 GR.5 BAR

TABLE 1/1