

**GAGGIA®**

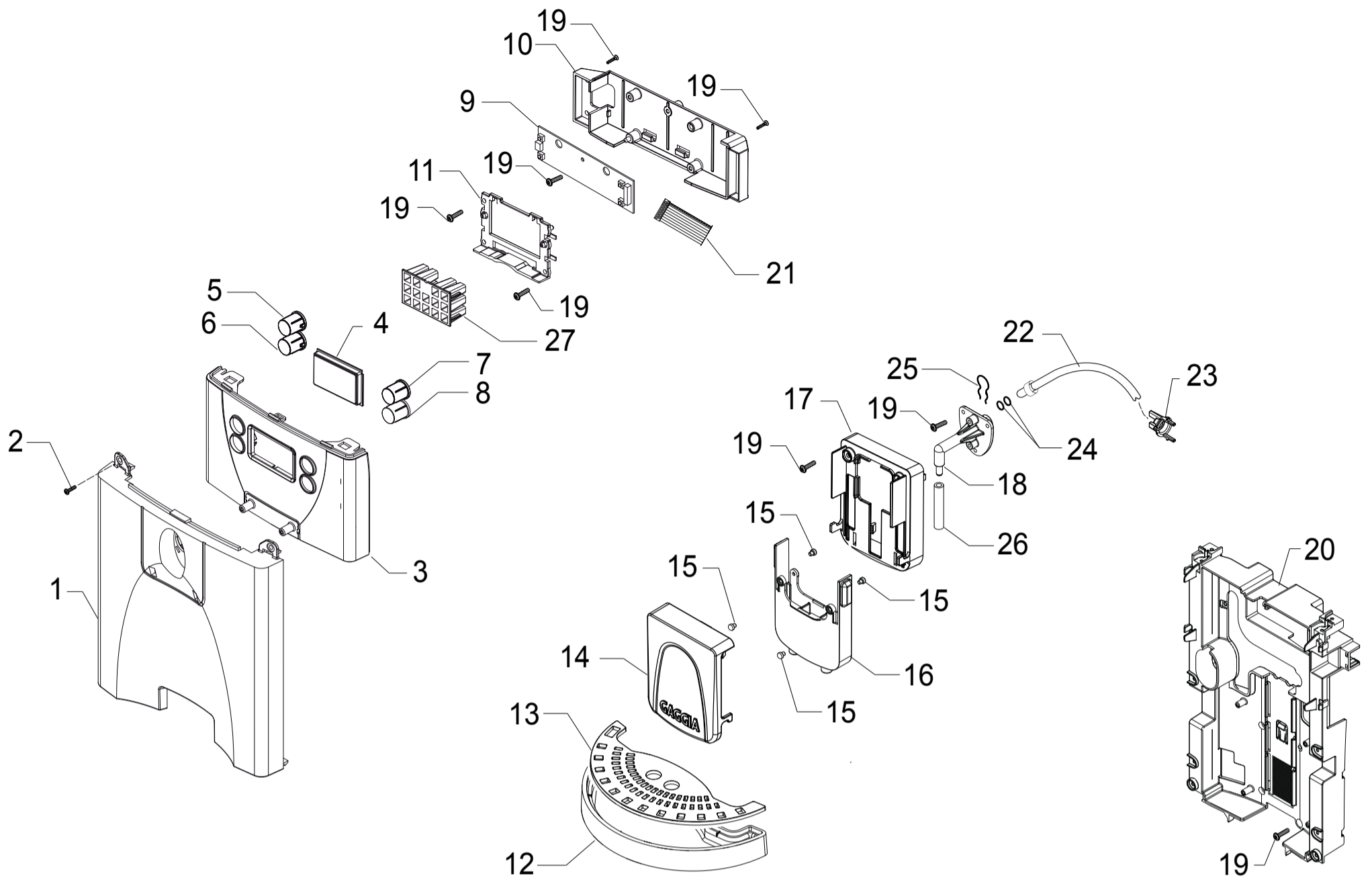
**SUP035G**

**RI9933/11-14-15-41  
RI9943-47-70**



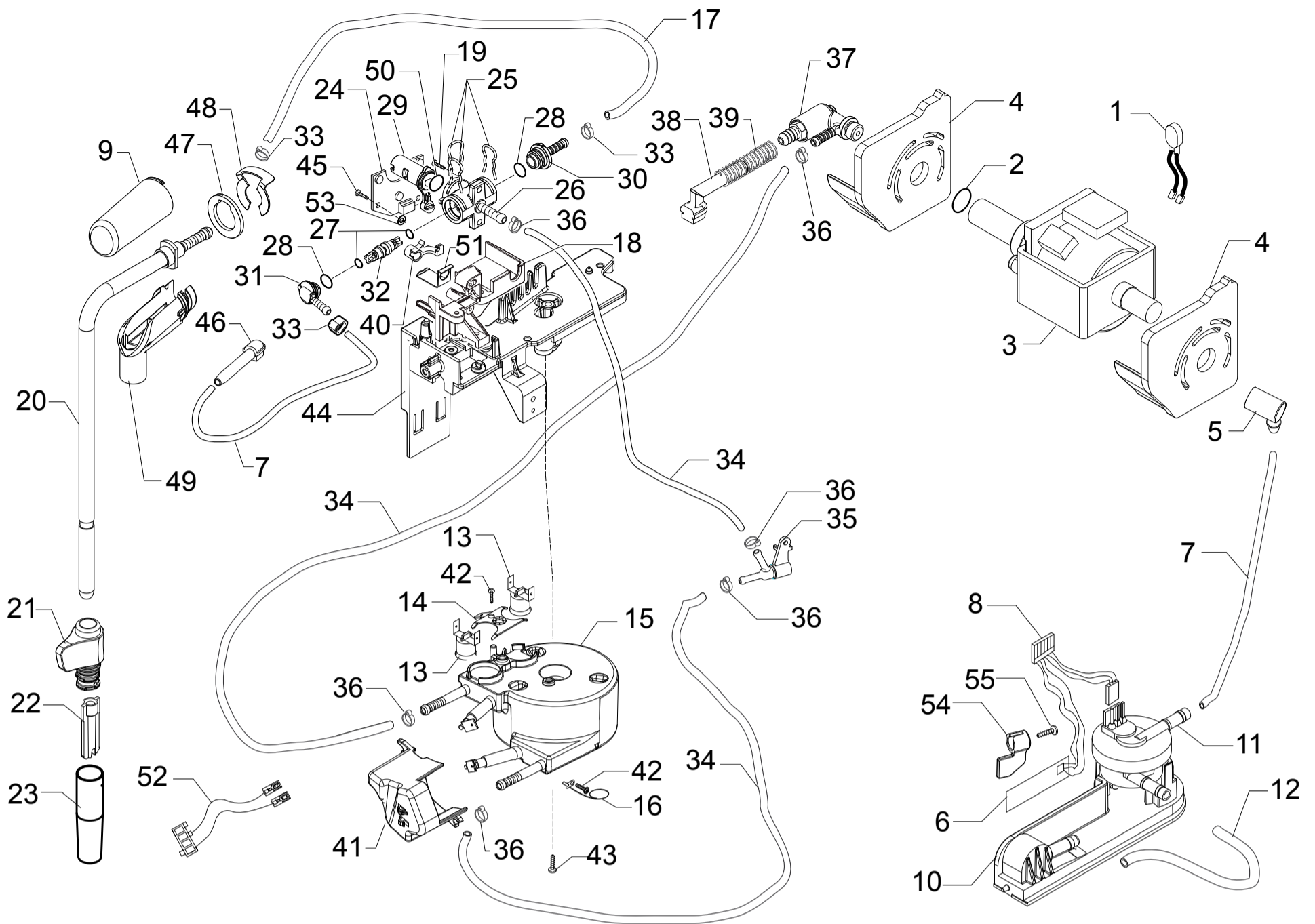
**Cod.10003721-3965-3774-4030  
Cod.10004126-3883-3842**

POS	CODE	12NC	DESCRIPTION	NOTE	POS	CODE	12NC	DESCRIPTION	NOTE
01	15002674	996530067945	MANUAL GAG SUP035G GPM GB//D/F		25	11007251	996530004182	BLACK LEFT SIDE CASING G0053	
	15002675	996530067926	MANUAL GAG SUP035G GPM E/P/NL/PL		26	12000450	996530007819	SCREW TCB TORX 10 3,5X12 PLAST.ZN-N	
	15002926	996530070348	MANUAL GAG SUP035G GPM GB/CHN		27	11009272	996530005367	BLACK WATER-STEAM KNOB P0049	
	15002970	996530070347	MANUAL GAG SUP035G GPM GB/F/E		28	11030061	996530072442	MOUNTING PLATE W/PIN V3 P0049 ASSY.	
	15003011	996530068073	MANUAL GAG SUP035G GPM GB/KOR		28	11030062	996530072441	MOUNTING PLATE W/PIN V3 P0049 UL ASSY.	120V UL
	15003064	996530070345	MANUAL GAG SUP035G GPM GB/P		29	12001883	996530072437	CUP SOCKET V3 EN 60320 C 13	
02	11022867	996530007474	GAGGIA KLUBERLUB NH1 11-222 TUBE 5GR.		30	U140.001	996530061964	SCREW TCB TORX 10 3,5X40 PLAST.ZN-N	
03	11003785	996530001908	BLACK GRINDER ADJUSTMENT KEY P0049		31	11007249	996530004179	BLACK RIGHT SIDE CASING G0053	
04	183911050	996530025808	BLACK POWER CABLE SCHUKO L=1200		32	11007317	996530004228	BLACK DOOR G0053	
	183970350	996530025882	BLACK POWER CABLE UK L=1200		33	11000223	996530000126	BLACK WHEEL FOR CASING BOTTOM P124	
	183921950	996530025843	POWER CABLE SJT3 USA BLACK UL L=1200		34	9161.111	996530050555	MAGNET FOR FLOAT SUPERAUT.	
	11004247	996530002167	BLACK POWER CABLE RVV 3X1 CHINA L=1200		35	129913202	996530013156	SCREW TCB TORX 10 3X8 PLAST.ZN-B	
	17800330	996530069926	BLACK POWER CABLE BRAZIL L=1200		36	11003533	996530001717	BLACK DUMP BOX P0049 ASSY.	
	11001985	996530001089	BLACK POWER CABLE KOREA L=1200		37	11003154	996530001476	BLACK REED SENSOR SUPPORT P0049	
05	11007279	996530004199	BLACK WATER TANK OUTLET COVER G0053		38	11005046	996530002702	BLACK INSIDE COVER DOOR G0053	
06	13000695	996530008299	CARTON INSERT FOR BOX S0053		39	11008530	996530004898	BLACK CLOSING CAP FOR CASING G0053	
07	17000579	996530067936	BLACK FRONT CASING GPM		40	11007312	996530004224	BLACK COFFEE UNIT DRIP TRAY G0053	
08	11002017	996530001109	NAT/GREY WATER CONTAINER P0053 ASSY.		41	129914002	996530013165	SCREW TCB TORX 10 3,5X16 PLAST.ZN-B	
09	224640200	996530029115	WHITE WATER CONTAINER EXT.FILTER ASSY.	WITH PART.N°10	42	11001668	996530000954	NAT/GREY WATER CONTAINER LID P0053	
10	140328461	996530013571	OR ORM 0190-10 EPDM		43	11012466	996530006412	BRASS BUSH BEAN CONT.FINGER PROTEC.P0057	
11	11003672	996530001831	SS SPRING FOR WATER CONTAIN.VALVE P0049		44	11008867	996530005068	5P.CONNECT.RATIOMOTOR/DOOR/DUMPBOX S0053	
12	11003673	996530001832	GREY WATER CONTAINER VALVE INSERT P0049		45	13001329	996530067954	PS-E INSERT FOR BOX GPM	
13	11003671	996530001829	TRANSP.VALVE FOR WATER CONTAINER P0049		46	11010592	996530005806	LOWER INSULATE SHEET PWR ELE.BOARD S0053	ONLY 120V
14	11001298	996530000733	BLACK LID FOR DUCKBILL VALVE P0049		47	11030799	996530073827	NAT/GREY BEAN CONTAINER PROTECT.V2 S0053	ONLY USA
15	20006907	996530067928	KIT PS-E INSERT FOR BOX S0053		48	20007153	996530072941	KIT SPAR.CASING COVER+BEAN COF.CONT.LID	
16	U043.004	996530061808	ZN-B TCB SCREW M4X16					<b>UP TO S/N TW901239419295</b>	
17	13001305	996530067946	FLEXOGRAPH.BOX GPM GAG UNICA						
18	11025142	996530067932	AS.CPU+SW GPM 230V	230V					
18	11025554	996530070346	AS.CPU+SW GPM 120V	120V					
19	11030797	996530073172	NAT/GREY BEAN COFFEE CONT.LID V2 S0053						
			<b>FROM S/N TW901239419296</b>						
20	129661702	996530012992	SCREW TCB TORX 3,5X30 PLAST.ZN-B						
21	11013367	996530006753	BLACK BEAN CONTAIN.FINGER PROTECT.S0053						
22	11001340	996530000764	BLACK DOOR PIN P0049						
23	11030798	996530073166	BLACK COVER CASING V3 S0053						
			<b>FROM S/N TW901239419296</b>						
24	11008956	996530005133	SS DOOR LOCK SPRING G0053						


**GAGGIA®**
**SUP035G**
**RI9933/11-14-15-41**  
**RI9943-47-70**

**Cod.10003721-3965-3774-4030**  
**Cod.10004126-3883-3842**

POS	CODE	12NC	DESCRIPTION	NOTE	POS	CODE	12NC	DESCRIPTION	NOTE
01	11025524	996530067935	SILVER FRONT CASING COVER GPM						
02	129913202	996530013156	SCREW TCB TORX 10 3X8 PLAST.ZN-B						
03	11025522	996530067956	SILVER FRONT PANEL S/SCR.GAGGIA GPM						
04	17000728	996530067931	TRANSPARENT GLASS FOR LED GPM						
05	11021887	996530007186	BLACK SHORT COFFEE CUP BUTTON GXSM						
06	11021886	996530007185	BLACK LONG COFFEE CUP BUTTON GXSM						
07	11021889	996530007188	BLACK.ON/OFF BUTTON GXSM						
08	17000632	996530067938	BLACK STEAM COFFEE BUTTON GPM						
09	11025084	996530067942	KEYBOARD LED INTERFACE GPM						
10	17000577	996530067952	BLACK KEYBOARD SUPPORT GPM						
11	11013889	996530006908	BLACK CPU BOARD RETAINING INSERT GXSM						
12	11008536	996530004905	BLACK DRIP TRAY S0053						
13	11025494	996530067933	SILVER GRATE FOR DRIP TRAY S0053						
14	11025226	996530067939	CHROM.FRONT COVER COF.DISPENSER GPM GAG						
15	11013085	996530006614	WHITE COFFEE DISPENSER SLIDER MYB9						
16	11021389	996530007097	BLACK EXT.MOBILE PART COF.DISPENSER GMYB						
17	11025526	996530067949	SILVER REAR COVER COFFEE DISPENSER GPM						
18	17000582	996530067927	BLACK COFFEE DISPENSER TUBE GPM						
19	12000450	996530007819	SCREW TCB TORX 10 3,5X12 PLAST.ZN-N						
20	11004741	996530002513	BLACK DRIP TRAY GUIDE G0053						
	11009286	996530005377	BLACK DRIP TRAY GUIDE G0053 UL						
21	11000851	996530000547	16 POLES FLATCABLE DISPLAY P124/C						
22	11009297	996530005382	TEFLON TUBE 2X4 L=155 MM ASSY.						
23	11006504	996530003617	BLACK TUBE TEFLON INSERT G0053						
24	140328059	996530013564	OR 2015 SILICONE PTFE/FDA						
25	9011.144	996530048885	SS FORK FOR TUBE D=4						
26	17000638	996530067937	TRANSP.TUBE FOR COFFEE DISPENSER GPM						
27	11023369	996530067947	WHITE GUIDE LIGHT SUPPORT GXSM						



**GAGGIA**

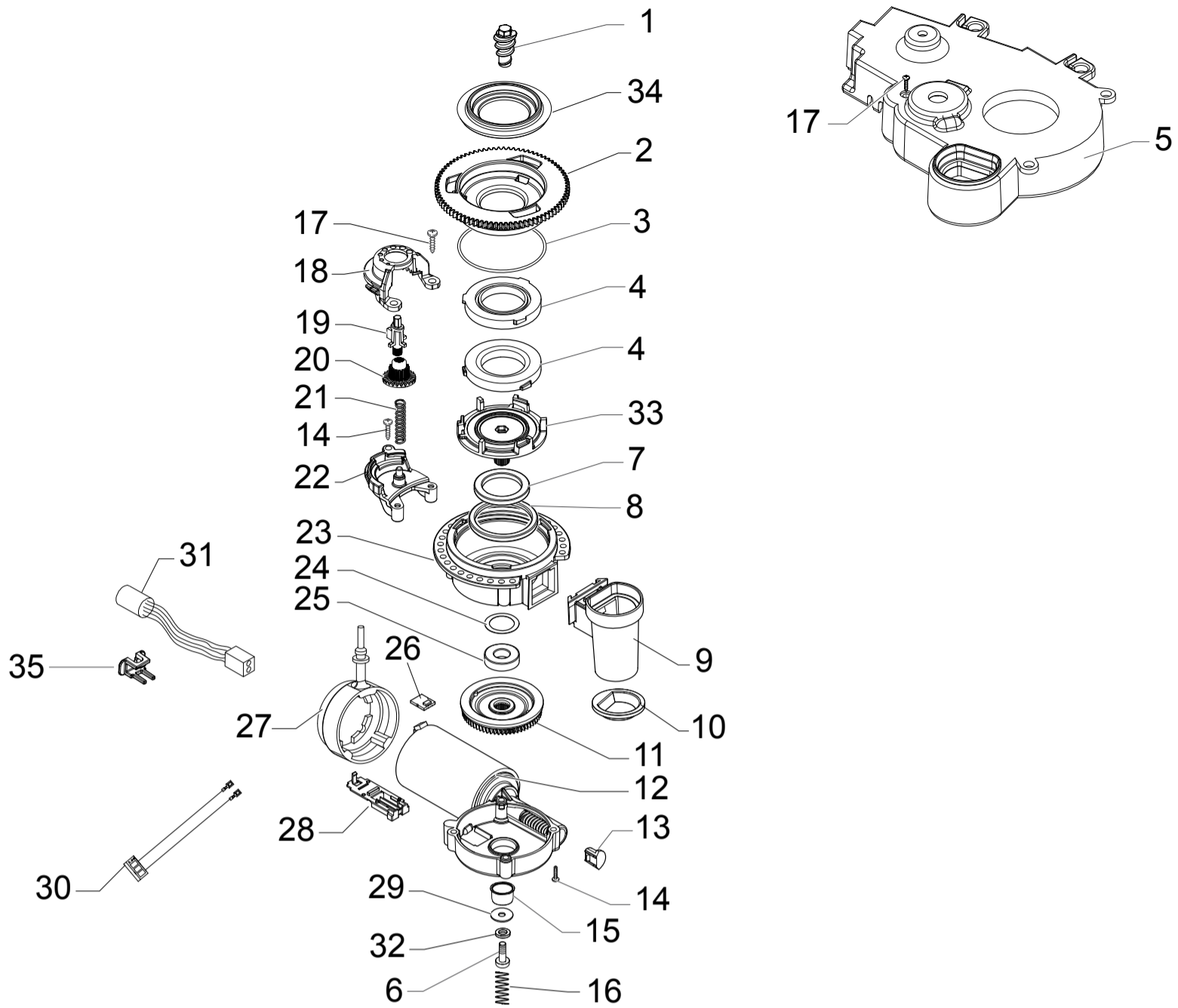
**SUP035G**

**RI9933/11-14-15-41  
RI9943-47-70**



**Cod.10003721-3965-3774-4030  
Cod.10004126-3883-3842**

POS	CODE	12NC	DESCRIPTION	NOTE	POS	CODE	12NC	DESCRIPTION	NOTE
01	11005668	996530003036	2POLES CONNECTOR PUMP P0049 UL		34	16000380	996530009505	5X8,9 SILICONE TUBE IN ROLL	IN ROLL
02	140321961	996530013471	O-RING 2031 TERMOIL		35	11001330	996530000753	BLACK CONNECTOR FOR PIN BOILER P0049	
03	12000140	996530007753	ULKA PUMP EP5/S GW 230V-50HZ	230V	36	12000892	996530007947	OETIKER CLAMP D=9,5 16700004	
	12000142	996530007754	ULKA PUMP EAP5/S 120V-60HZ	120V	37	11004689	996530002484	TEA/BRASS SAFETY VALVE 16-18 BAR ASSY.	
	12000182	996530007782	ULKA PUMP EP5/S GW 220V-60HZ	220V	38	11001629	996530000934	BLK PUMP WATER DESCARGING CONNECT.P0049	
04	11006296	996530003462	BLACK PUMP SUPPORT P0049 ASSY.		39	11005003	996530002662	SS DESCARGING WATER CONNECT.SPRING P0049	
05	147920150	996530017348	90° INLET PUMP CONNECTOR		40	11008876	996530005077	BLK BRASS FAUCET BLOCK INSERT P0049/A	
06	11000651	996530000425	WATER LEVEL SENSOR BOARD P124	FOR 120V	41	17000386	9965300066737	BLK BOILER CONNECTORS COVER P0049/P0053	
06	11003232	996530001522	CPU+SW WATER LEVEL SENSOR V2 ASSY.	FOR 230V	42	12001715	9965300069758	SCREW TCB TORX 20 M4X8 AUTOFORMING ZN-B	
07	149360200	996530018269	SILICONE TUBE 5X8 70SR IN ROLL	IN ROLL	43	129932502	996530013201	SCREW TSP 5X30 PLAST.ZN-B	
08	11008906	996530005097	3 POLES CONNECT.FLOWMETER S0053 UL		44	11001332	996530000755	BLACK BOILER-FAUCET-VALVE SUPPORT P0049	
09	142853850	996530015015	BLACK COVER CONNECTOR STEAM TUBE SMART		45	129913202	996530013156	SCREW TCB TORX 10 3X8 PLAST.ZN-B	
10	11003670	996530001828	BLACK TURBINE SUPPORT V2 P0049		46	11001630	996530000935	BLK MILK ISLAND DESCARG.WATER CONN.P0049	
11	12000781	996530007887	TURBINE D=1,2 932-8521/90 ASSY.		47	11001624	996530000929	BLACK STEAM TUBE WASHER P0049	
12	JS01.022	996530057357	SILICONE TUBE 5X10 60SH IN ROLL		48	NF11.084	996530059199	PHOSPH/STEEL FOLK SPRING	
13	12001033	996530007973	THERMOSTAT ONE SHOT 190°		49	147921750	996530017368	BLACK CONNECTOR STEAM TUBE SMART	
14	11001751	996530000997	TUB.BOILER V3 UPPER THERM.FIXING SPRING		50	12001615	996530067929	OR 2025 IN EPDM PEROX.FOOD 70 SH	
15	11013735	996530006841	SLIM TUB.BOILER 1300W 230V ASSY.	230V	51	11002957	996530001408	SS.FAUCET FOR SPRING P0049	
	11023153	996530007586	SLIM TUB.BOILER 1300W 120V ASSY.	120V	52	11001824	996530001042	4P.CONNECTOR SUPPLY BOILER P0049/A	
16	190800100	996530026997	TEMPERATURE SENSOR NTC UL L=280MM		53	U207.003	996530062033	PLAIN WASHER 3,2X7 UNI 6592 GALV.	
17	16000170	996530009478	WHITE BRAIDED SILICON TUBE 3X6 IN ROLL	IN ROLL	54	17001879	996530073171	BLK CAPACIT.SENSOR DEADLOCK INSERT P0049	
18	11006022	996530003294	BLACK FAUCET SUPPORT G0053		55	12000450	996530007819	SCREW TCB TORX 10 3,5X12 PLAST.ZN-N	
19	129913902	996530013164	SCREW TCB TORX 10 3X12 PLAST.ZN-B						
20	11008806	996530005041	SS STEAM TUBE S0053 ASSY.			11025775	996530067768	TEA/BRASS FAUCET V2 P0049-P0053 ASSY. WITH PART.N°25-26-27-28-29-30-31-32-50	
21	-	421941300671	BLK/SIL.STEAM TUBE HANDGRIP G0053			11025191	996530067841	TUB.BOILER GPM 230V ASSY.	COMPLETE
22	11001620	996530000925	BLACK PANNARELLO INNER TUBE P0049			11026620	996530070343	TUB.BOILER GPM 120V ASSY.	COMPLETE
23	11001769	996530001012	BLACK PANNARELLO COVER P0049						
24	11007569	996530004425	FAUCET ELECTRONIC CARD G0053 ASSY.						
25	11001499	996530000853	SS FAUCET FORK SPRING P0049						
26	11004625	996530002455	TEA/BRASS FAUCET CASING P0049						
27	12001614	996530067769	OR 2012 IN EPDM PEROX.FOOD 70 SH						
28	12001613	996530067867	O-RING 108 EPDM PEROX.FOOD 70 SH						
29	11025776	996530067941	PLAST/BRASS FAUCET SHAFT V2 P0049 ASSY.						
30	11001546	996530000891	BLACK FAUCET STRAIGHT CONNECTOR P0049						
31	11001544	996530000888	BLACK FAUCET CONNECTOR P0049						
32	11004134	996530002075	TEA/BRASS FAUCET SHAFT P0049						
33	NF11.052	996530059178	OETIKER CLIP						



**GAGGIA®**

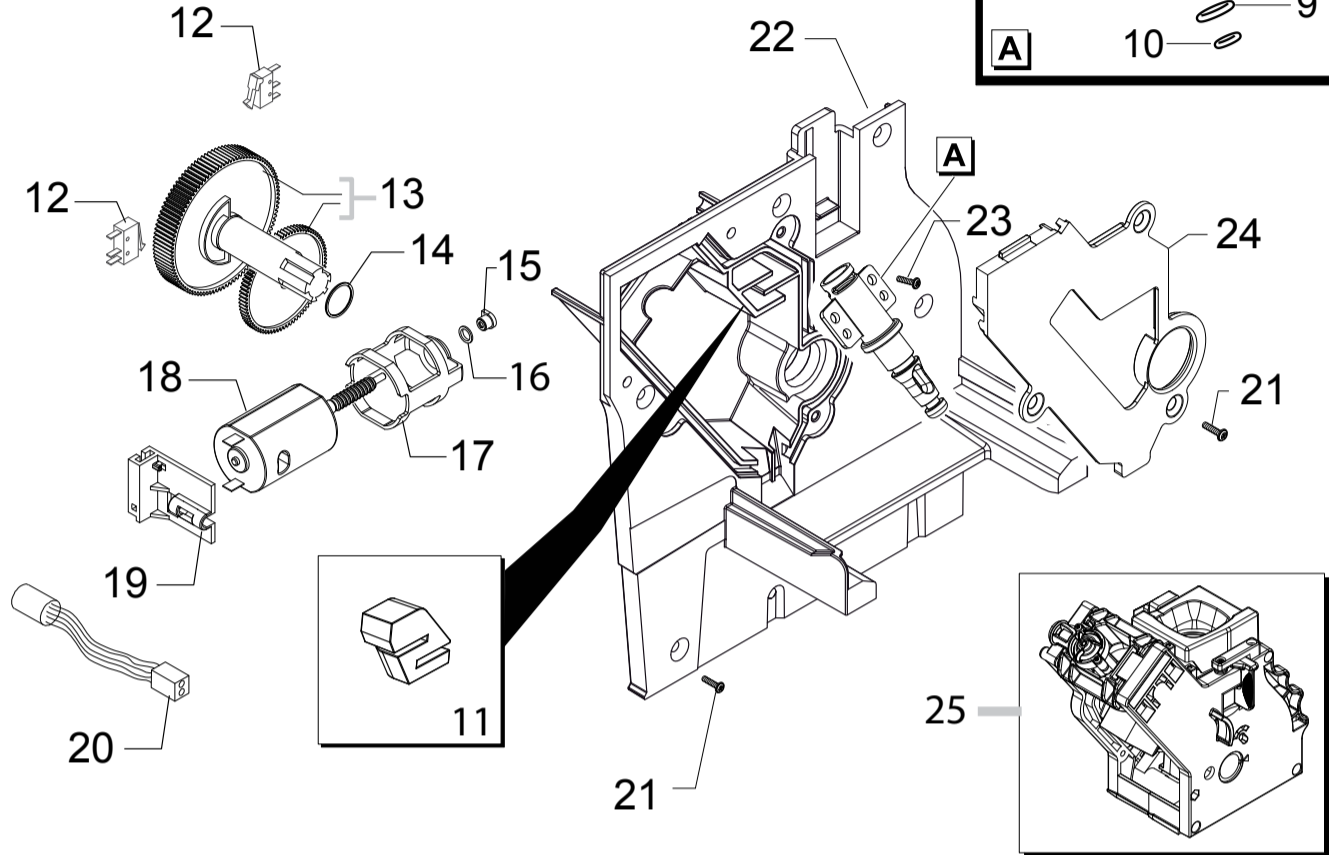
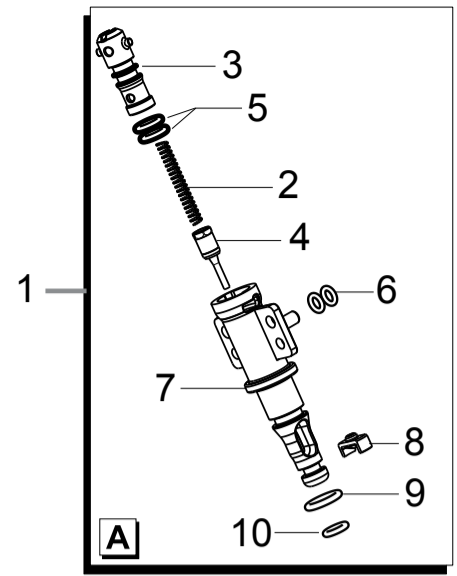
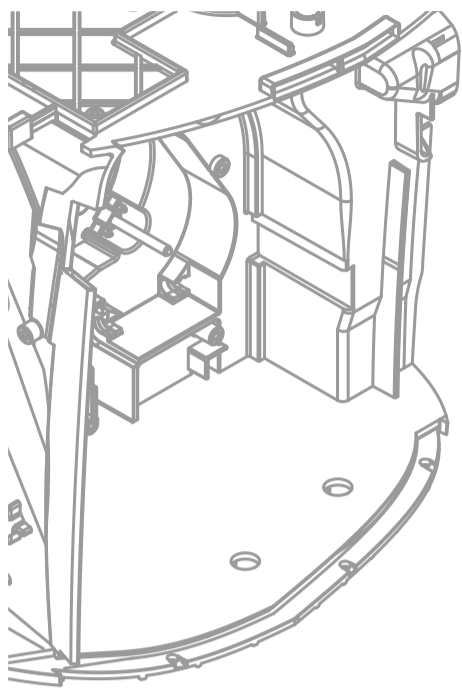
**SUP035G**

**RI9933/11-14-15-41  
RI9943-47-70**



**Cod.10003721-3965-3774-4030  
Cod.10004126-3883-3842**

POS	CODE	12NC	DESCRIPTION	NOTE	POS	CODE	12NC	DESCRIPTION	NOTE
01	11010031	996530005586	TEA/ZAMA INCREASE SCREW GRINDER						
02	-	421941094152	BLK COF.GRINDER UPPER GRINDER SUPPORT V2						
03	140328960	996530013577	OR ORM 0530-15 NBR FDA						
04	146520100	996530016342	BAKED CLAY GRINDER 48X28						
05	17000818	996530067951	COFFEE GRINDER SOUNDPROOFING COVER GPM						
06	129574802	996530012928	SCREW TCB TORX 20 M4X30 ZN-B						
07	123030300	996530011183	AXIAL BEARING EKKO 342.35252						
08	140360500	996530013597	FELT RING 45,4X39,4X4						
09	11026355	996530068049	BLK GROUND COFF.OUTLET CONVEYOR V4 ASSY.						
10	11030459	996530072511	GRY GROUND COFFEE CONT.LOWER SEAL SMART1						
11	226000300	996530029609	GEAR SX Z=38 FOR GRINDER MOTION ASSY.						
12	11000513	996530000317	MOTOR COFFEEGRINDER V3.1 230V ASSY.	230V					
	11000511	996530000315	MOTOR COFFEEGRINDER V3.1 120V ASSY.	120V					
13	149214800	996530018139	MC V3 MOD=1,25 WORM SCREW CENTRING CAP						
14	129661702	996530012992	SCREW TCB TORX 3,5X30 PLAST.ZN-B						
15	11002873	996530001389	INSULATOR BUSH FOR GRINDER MOTOR P124						
16	11000597	996530000376	STEEL COF.GRINDER SUPPORT SPRING P124						
17	129914002	996530013165	SCREW TCB TORX 10 3,5X16 PLAST.ZN-B						
18	11002508	996530001296	UPPER COFFEEGRINDER GEAR SUPPORT P124						
19	11003446	996530001673	BLACK BEAN COFFEE GRINDER INSERT P0049						
20	11003784	996530001907	COFFEE GRINDING ADJUSTMENT GEAR P0049						
21	11002572	996530001308	COFFEEGRINDER REGULATION SPRING P124						
22	11002613	996530001314	LOWER COFFEEGRINDER GEAR SUPPORT P124						
23	142905450	996530015258	BLK UPPER BODY WITH COFFEE GROUND OUTLET						
24	128381800	996530012374	STEEL CRINKLE WASHER 21,8X14X0,25						
25	123030200	996530011182	RADIAL BEARING 61900.2RS1						
26	181540900	996530022784	ELECTR.BOARD WITH SENSOR HAL506 SF-K						
27	11001367	996530000785	BLACK COFFEE GRINDER SUPPORT P0049						
28	149199050	996530017963	BLK SENSOR SUPPORT FOR COF.GRINDER MOTOR						
29	128381902	996530012375	STEEL FLAT WASHER DI=4,3 DE=14 SP=1,5						
30	11008869	996530005071	2P.CONNECT.COFFEE GRINDER MOTOR S0053						
31	11008871	996530005073	3 POLES CONNECTOR MC SENSOR S0053 UL						
32	128310402	996530012341	GALV.WASHER UNI 8842 A4						
33	149198350	996530017952	BLK LOWER COFFEEGRINDER GRINDER SUPPORT						
34	145857062	996530015992	COFFEE GRINDER SEAL P119						
35	17001921	996530072477	BLK WIRING FIX INSERT FOR GRINDER BOARD						
	11013435	996530006777	GEN.MOTOR COF.GRINDER V3 S0053 230V ASSY						
	11026686	996530070342	GEN.MOTOR COF.GRINDER V3 S0053 120V ASSY						



**GAGGIA®**

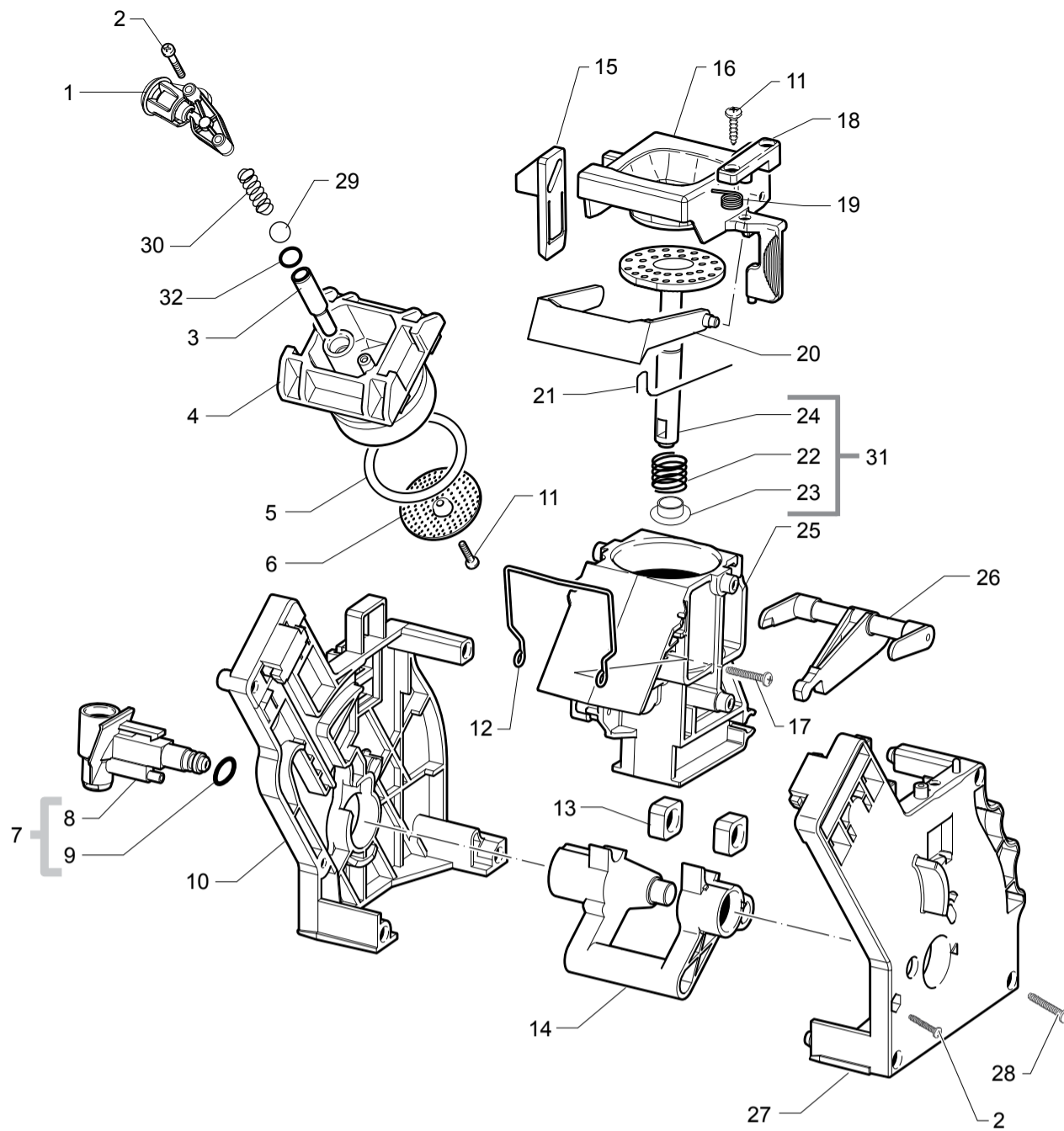
**SUP035G**

**RI9933/11-14-15-41  
RI9943-47-70**



**Cod.10003721-3965-3774-4030  
Cod.10004126-3883-3842**

POS	CODE	12NC	DESCRIPTION	NOTE	POS	CODE	12NC	DESCRIPTION	NOTE
01	11005060	996530002717	PIN V2 FOR BOILER P119 ASSY.						
02	9011.132	996530048874	SS SPRING FOR PIN						
03	11003820	996530001932	BLACK CAP V2 FOR PIN BOILER P119						
04	11009019	996530005183	TEA/BRASS PISTON L=20,9 ASSY.						
05	140324459	996530013508	OR ORM 0060-20 SILICONE PTFE/FDA						
06	140328059	996530013564	OR 2015 SILICONE PTFE/FDA						
07	11003801	996530001926	NAT.PIN V2 FOR BOILER P119						
08	11005099	996530002747	NATURAL CURSOR V2 FOR BOILER P119						
09	NM01.035	996530059399	OR ORM 0090-20 SILICONE						
10	NM01.057	996530059419	OR ORM 0050-20 IN SILICONE						
11	11022216	996530007256	BLACK MOUNTING PLATE COVER PROTECT.P0049						
12	11008868	996530005069	MICRO.RATIOMOTOR S0053 UL ASSY.						
13	20000900	996530009913	SPARES KIT GEARS FOR RATIOMOTOR V2						
14	9161.132	996530050569	MYLAR WASHER FOR RATIOMOTOR						
15	9121.046	996530049898	BRONZE SINTERED BUSH FOR MOTOR RATIOMOT.						
16	148380200	996530017424	BAKELIZZATE WASHER D=5,5						
17	9121.044	996530049896	ANTIVIBRATION FOR MOTOR						
18	11005214	996530002796	MOTOR FOR RATIOMOTOR P124 ASSY.						
19	11001331	996530000754	BLACK DUMP BOX MICROSWITCH SUPPORT P0049						
20			<b>PARTICULAR NOT AVAILABLE</b>	SEE PART.N°44 TABLE 01					
21	129914102	996530013166	SCREW TSP TORX 10 3,5X12 PLAST.ZN-B						
22	11006337	996530003482	BLACK COVER MOUNTING PLATE P0049 ASSY.						
	11009287	996530005378	BLACK COVER MOUNTING PLATE P0049 UL ASSY						
23	129914002	996530013165	SCREW TCB TORX 10 3,5X16 PLAST.ZN-B						
24	11001312	996530000748	BLACK COVER FOR BOILER VAIN P0049						
	11009284	996530005375	BLACK COVER FOR BOILER VAIN P0049 UL						
25	11009266	996530005366	BLACK BREW UNIT 8GR.8BAR S0053						



**GAGGIA®**

**SUP035G**

**RI9933/11-14-15-41  
RI9943-47-70**



**Cod.10003721-3965-3774-4030  
Cod.10004126-3883-3842**

POS	CODE	12NC	DESCRIPTION	NOTE	POS	CODE	12NC	DESCRIPTION	NOTE
01	11009362	996530005415	BLK COF.OUTLET SLEEVE BREW UNIT S0053 AS						
02	12000550	996530007838	SCREW TCB TORX 10 3X25 PLAST.SS						
03	11009276	996530005372	BLK COUNTER PISTON TUBE BREW UNIT S0053						
04	11001840	996530001046	BLACK COUNTER PISTON BREW UNIT 8GR.P124						
05	NM01.044	996530059406	OR ORM 0320-40 SILICONE PTFE/FDA						
06	9161.268	996530050709	PERCOLATOR DE=35,8 ELFO						
07	20000440	996530009825	BLACK WATER INLET SLEEVE BREW UNIT ASSY.						
08	9161.064.050	996530050488	BLACK WATER INLET SLEEVE BREW UNIT ROYAL						
09	NM02.007	996530059441	OR 2025 IN TERMOIL						
10	9161.375.050	996530050832	BLACK BREW UNIT REAR PLATE SMART						
11	12000895	996530007951	SCREW TSP TORX 10 3X10 PLAST.SS						
12	11001556	996530000898	SS BREW UNIT SPRING H=49 SMART						
13	9161.094.150	996530050541	GREY BREW UNIT DRILLED BLOCK						
14	9161.066.050	996530050492	BLACK BREW UNIT ELBOW SHAFT M5000						
15	9161.373.050	996530050827	BLACK BREW UNIT COUPLING PLATE SMART						
16	149261350	996530018241	BLACK HOPPER DOSER BREW UNIT SMART1						
17	129912521	996530013148	SCREW TCB TORX 10 3,5X14 PLAST.SS						
18	9161.374.050	996530050829	BLK BREWUNIT HOPPER BLOCKING PLATE SMART						
19	9161.378	996530050838	SS HOPPER SPRING FOR BREW UNIT SMART						
20	11004161	996530002096	BLACK SCRAPER FOR BREW UNIT M5000						
21	9161.046	996530050455	SS SCRAPER SPRING FOR BREW UNIT						
22	9161.198	996530050627	SS.8GR.BREW UNIT PISTON SPRING						
23	9161.191	996530050618	WHITE 8GR.-12GR.BREW UNIT PISTON BUSH						
24	11003077	996530001451	BLK BREW UNIT INTEGRAL PISTON 8GR.ASSY.						
25	11003075	996530001448	BLACK COFFEE CONTAINER BREW UNIT P124						
26	11003078	996530001452	BLACK CONNECTING ROD BREW UNIT 8GR.						
27	11005920	996530003228	BLACK BREW UNIT FRONT PLATE S/SCR.SMART						
28	12000897	996530007953	SCREW TCB TORX 10 3,5X20 PLAST.SS						
29	9991.168	996530051874	GLASS SPHERE D.5 MM						
30	9161.222	996530050657	SS.CONICAL SPRING						
31	11023086	996530007577	BLK 8GR.BREW UNIT NTEGR.PISTON GEN.ASSY.						
32	140328761	996530013575	OR ORM 0060-15 TERMOIL						
	11009266	996530005366	BLACK BREW UNIT 8GR.8BAR S0053						