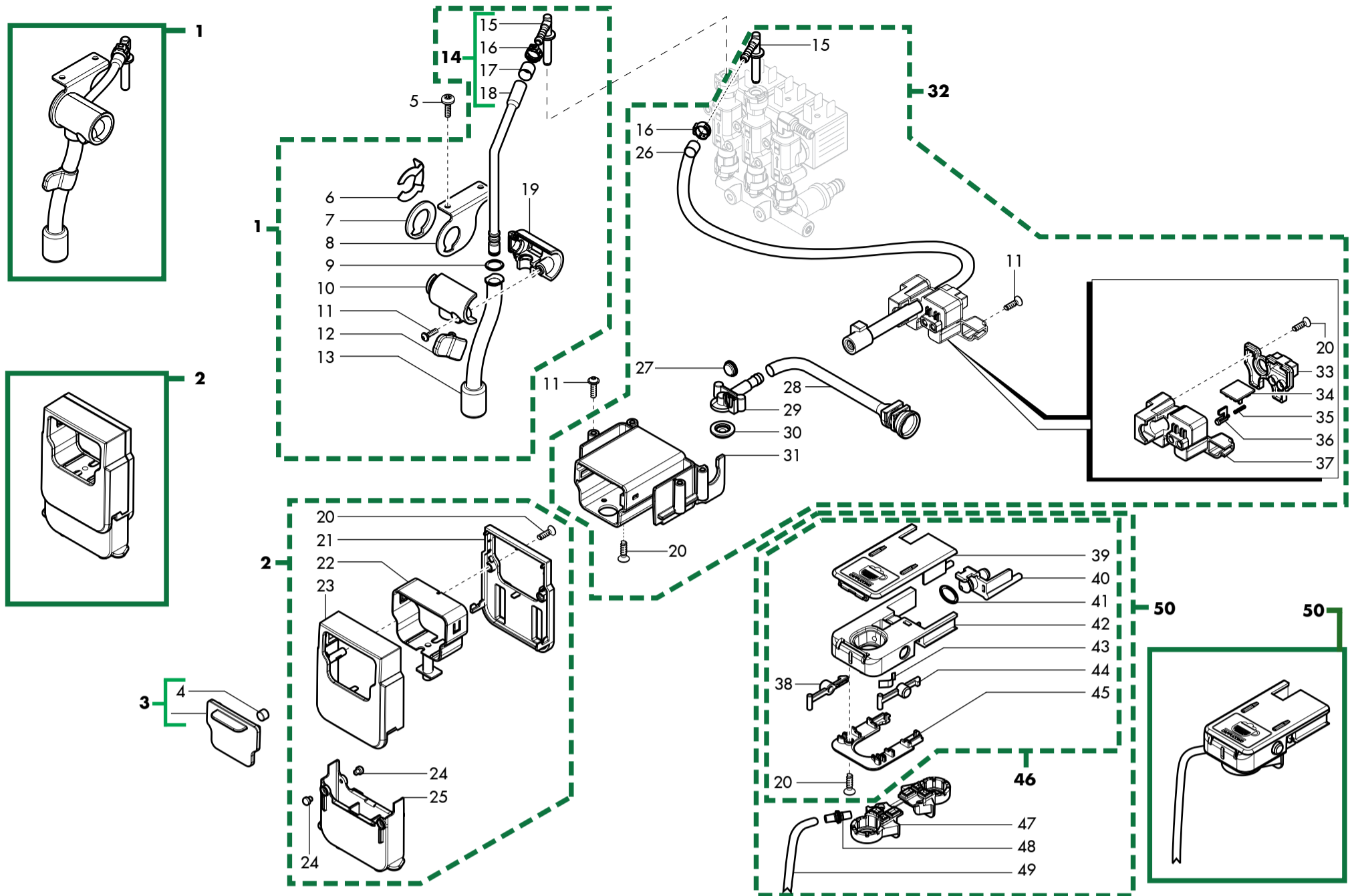


Pos. Code	Description	Note	
1	11035722	Extra Sheet Saga For Saeco	
1	15003897	Declaration Of Conformity Rylo Sae	
1	15004480	Manual Sae Ri9852/01 Rylo/T V2 It	
1	15004481	Manual Sae Ri9852/01 Rylo/T V2 Pt	
1	15004693	Manual Sae Ri9852/01 Rylo/T V2 T-Chn	
1	15004696	Manual Sae 10004590 Rylo/T V2 Gb	
1	15004697	Manual Sae 10004590 Rylo/T V2 Fr	
1	15004698	Manual Sae 10004590 Rylo/T V2 Es	
1	15004712	Manual Sae 10004800 Rylo/T V2 Chn	
1	17004056	Manual Sae Rylo/T V2 Kr 220/60 Gb	
1	17004057	Manual Sae Rylo/T V2 Kr 220/60 Kr	
1	421940439261	Instruct.Sheet Accessories Rylo	
1	421944063331	Manual Sae Ri9852/01 Rylo/T V2 Gb	
1	421944063341	Manual Sae Ri9852/01 Rylo/T V2 De	
1	421944063351	Manual Sae Ri9852/01 Rylo/T V2 Fr	
1	421944063361	Manual Sae Ri9852/01 Rylo/T V2 Es	
2	17000736	Red Key For Safety Micro Rylo	
3	11001985	Black Power Cable Korea L=1200	
3	11004246	Black Power Cable Taiwan Hvcff L=1200	
3	11004247	Black Power Cable Rvv 3X1 China L=1200	
3	17800019	Black Power Cable Brazil L=1200	
3	183911050	Black Power Cable Schuko L=1200	
3	183921950	Power Cable Sjt3 Usa Black Ul L=1200	
3	183940650	Black Power Cable Australia L=1200	
3	NE01.093	Cable Argentina + Plug En60320 C13	
4	0301.961	Sticker For Water Hardness Test	
5	17000982	Black Drip Tray Cover Ryl	
6	11029899	Sb/Ss Drip Tray Grate Ryl/T	
7	17000991	Red Float V2 For Drip Tray Ryl	
8	11030098	Crc Front Casing Cover Ryl/T	SIL
8	11031091	Txo/Blk Front Casing Cover Ryl/H	KOREA BLK
8	421944011851	Txo/Blk Front Casing Cover Ryl/T	BLK
8	421944068801	Crc Front Casing Cover Ryl/H	KOREA SIL
9	129535721	"Screw Tsp Torx 10 Ab 3,5X9,5 Sheet Ss"	
10	U143.015	"Panelvit Tcb 3,0X12 Torx Black"	
11	421944062731	Blk Connector Lid	
12	17000779	Black Steam Tube Protection Ryl	
13	11025857	Black Steel Casing Rylo/T Assy.	UL
13	11025857	Black Steel Casing Rylo/T Assy.	KOREA
13	421941228712	Blk Steel Casing V2 Rylo/T Assy	
14	12000450	"Screw Tcbr Torx 10 3,5X12 Plast.Zn-N"	
15	11029624	Crc Dump Box Rylo Assy.	SIL
15	421944010831	Txo/Blk Dump Box Rylo Assy.	BLK
16	9991.093	"Magnet D=9,5 X H=1,5"	
17	9161.111	Magnet For Float Superaut.	
18	11030099	Crc Drip Tray Ryl Assy.	SIL
18	11031093	Txo/Blk Drip Tray Ryl Assy.	BLK

Pos. Code	Description	Note	
19	12001622	"Screw Tcb Torx B 3,5X9,5 Scheet Nik"	
20	17002048	Grey Casing Left Closing Insert Rylo/T	SIL
20	421941301161	Blk Casing Left Closing Insert Rylo/T	BLK
21	11031307	Black Casing Right Closing Insert Ryl	BLK
21	17001369	Grey Casing Right Closing Insert V2 Ryl	SIL
22	12000895	Screw Tsp Torx 10 3X10 Plast.Ss	
23	17000723	Grey Dump Box Guide Ryl	
24	17000240	Grey Mounting Plate Insert Ryl	
25	17800442	2Poles Connect.Sensor Reed Dump Box Cst	
26	11025819	Black Casing Door Ryl Assy.	
27	0301.019	Nik/Brass Pin For Door Superaut.	
28	0301.020	Nik/Brass Pin For Door Superaut.	
29	0301.041.150	Grey Brew Unit Support Plate Royal	
30	9161.140	Seal For Unit Plate	
31	17000828	Black Casing Bottom Plug Rylo	
32	421946004691	3P.Conn.Dump Box Reed Sens.V2 Rylo Ul As	
33	12001902	Lock Meroni 337	
34	13001518	Ps-E Left Insert For Box Rylo	
35	13001517	Ps-E Right Insert For Box Rylo	
36	13001327	Havana Box Rylo Sae Aulika	
37	13001328	White External Box Rylo Sae	
38	17001988	Steel Casing Door Lock Bracket Rylo	

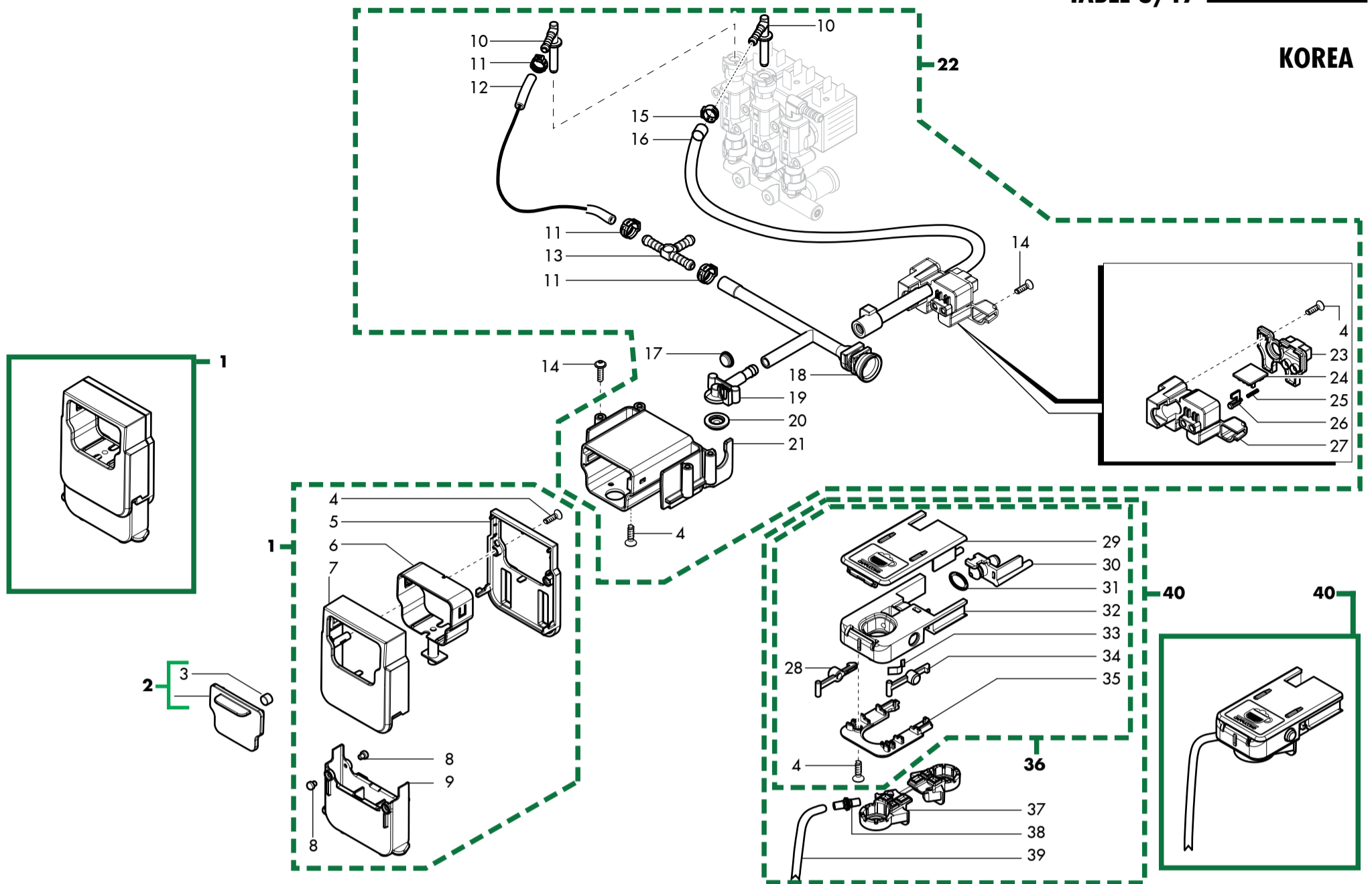
AULIKA TOP HSC / TOP HSC RI
TABLE 2/17
E74230.02


Pos. Code	Description	Note
1	11031415	Tf/Chr.Tea/Brass Steam Tube V2 Rylo Assy
2	11030101	Crc Coffee Dispenser Ryl Assy.
3	11030104	Crc Front Cof.Disp.Cover Ryl/T Assy.
4	9161.111	Magnet For Float Superaut.
5	12001622	"Screw Tcb Torx B 3,5X9,5 Scheet Nik"
6	NF11.084	Phosph/Steel Folk Spring
7	11001624	Black Steam Tube Washer P0049
8	17000815	Steel Steam Tube Support Bracket Ryl
9	140321961	O-Ring 2031 Termoil
10	17001437	Black Front Steam Tube Support Ryl
11	12000450	"Screw Tcbr Torx 10 3,5X12 Plast.Zn-N"
12	17001574	Black Steam Tube Handgrip Rylo
13	11029670	Tf/Chrom.Steam Tube Rylo
14	20007030	Black Output Steam Tube Kit Ryl
15	17002197	Black Cappucin/Steam Tube Connect.V4 Ryl
16	12000892	"Oetiker Clamp D=9,5 16700004"
17	11025683	"Black Tube Di=9,5 Sp=0,30 L=10"
18	11022989	Black Silic.Steam Dispenser Tube Mds
19	17000672	Black Rear Steam Tube Support Ryl
20	12000895	Screw Tsp Torx 10 3X10 Plast.Ss
21	17000248	Black Rear Cover Coffee Dispenser Ryl
22	17000251	Black Inner Body Coffee Dispens.Ryl
23	11030102	Crc Front Cof.Dispenser Cover Ryl
24	11013085	White Coffee Dispenser Slider Myb9
25	17000246	Black Ext.Mobile Part Cof.Dispenser Ryl
26	20007031	Blk Cappuc.Output Steam Connect.Kit Ryl
27	11014016	Ss.Insert For Magnet Myb9
28	17000614	Black Dispenser Coff.Inlet Connect.Ryl
29	17000616	Black Coffee Dispenser Tube Ryl
30	17000337	Black Seal For Coffee Dispenser Ryl
31	17000257	Black.Coffee Dispenser Support Ryl
32	11031417	Blk Tea/Br.Cof.Dispens.Supp.V3 Ryl/T Ass
33	17000348	Blk Cappuccinatore Board Supp.Cover Ryl
34	11025772	Cappuccinatore Board Ryl
35	17000019	Ss Carafe Micro Insert Spring Myb9
36	17000421	Black Cappuccinatore Presence Insert Ryl
37	17000339	Black Cappuccinatore Board Support Ryl
38	17000389	Grey Left Cappuccinatore Insert Ryl
39	17004098	Blk Upper Cappuc.Lid Laser.Ryl
40	17000785	Black Cappuc.Input Milk Connector Ryl
41	NM01.028	O-Ring 106 Silicone
42	17000338	Black Left Entry Cappuccinat.Casing Ryl
43	17000382	Ss Cappuccinatore Insert Spring Ryl
44	17000402	Grey Right Cappuccinatore Insert Ryl
45	421941278272	Blk Lower Cappuccinatore Lid V2 Ryl
46	421941260042	Blk Cappuccinatore S/Scr.V2 Rylo Assy
47	421944059361	Milk Intake+Outlet Connect.Ryl V2

Pos. Code	Description	Note
48	17001362	Blk Milk Intake Tube Connect.Ins.V2 Ryl
49	11029672	"Silicone Tube 3,5X6 L=500 Mm"
50	421946032811	Kit Blk Cappuccinatore Rylo

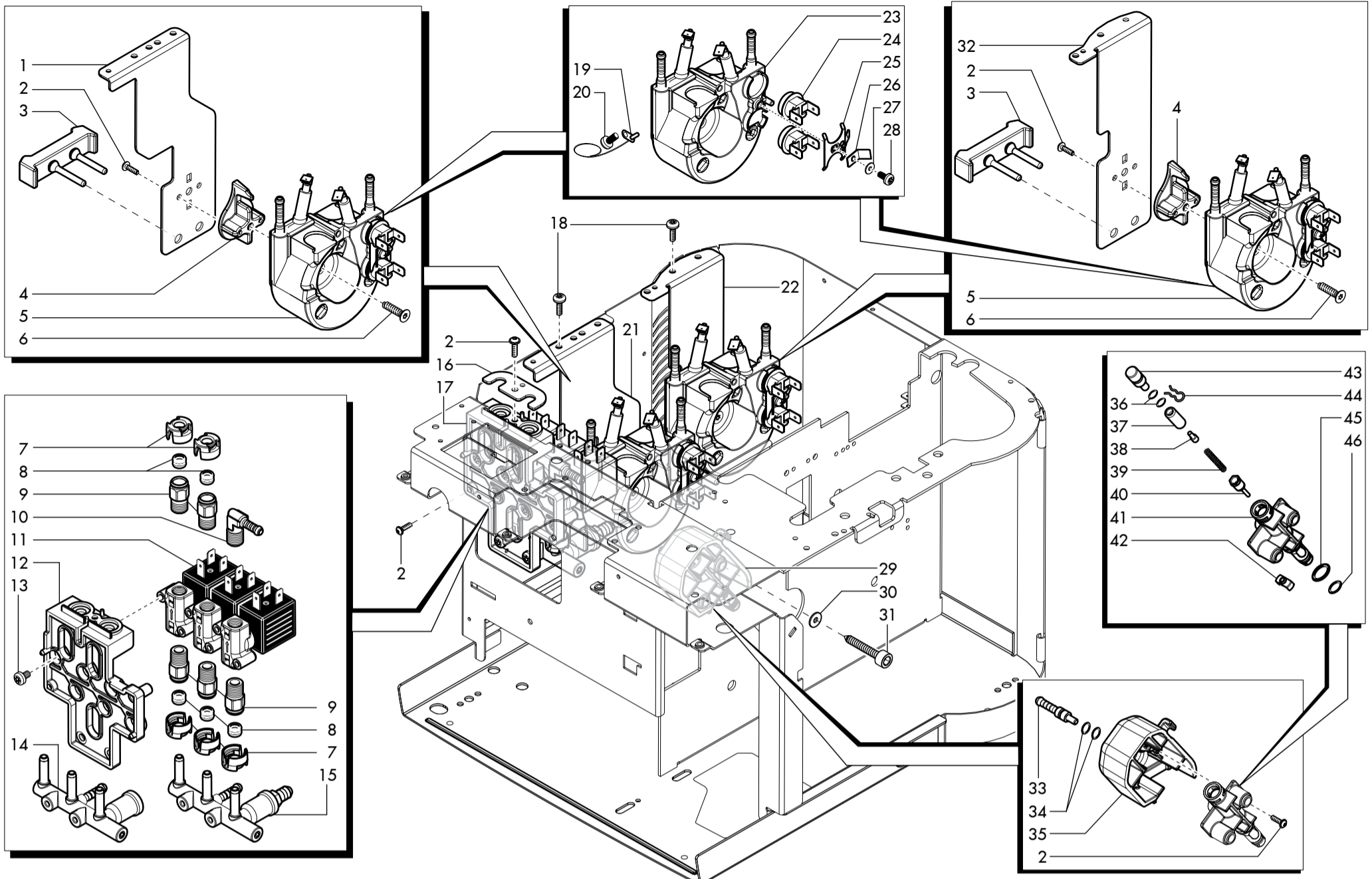
AULIKA TOP HSC / TOP HSC RI

KOREA



Pos. Code	Description	Note
1	11030101	Crc Coffee Dispenser Ryl Assy.
2	11030104	Crc Front Cof.Disp.Cover Ryl/T Assy.
3	9161.111	Magnet For Float Superaut.
4	12000895	Screw Tsp Torx 10 3X10 Plast.Ss
5	17000248	Black Rear Cover Coffee Dispenser Ryl
6	17000251	Black Inner Body Coffee Dispens.Ryl
7	11030102	Crc Front Cof.Dispenser Cover Ryl
8	11013085	White Coffee Dispenser Slider Myb9
9	17000246	Black Ext.Mobile Part Cof.Dispenser Ryl
10	17002197	Black Cappucin/Steam Tube Connect.V4 Ryl
11	NF11.052	Oetiker Clip
12	11027788	"Pink 5X8,9 Silicone Tube L=2000Mm"
13	11007493	T Connector For Boiler P604
14	12000450	"Screw Tcbr Torx 10 3,5X12 Plast.Zn-N"
15	184320200	"Spring Hose Clamp D=9,5Mm"
16	20007031	Blk Cappuc.Output Steam Connect.Kit Ryl
17	11014016	Ss.Insert For Magnet Myb9
18	17004039	Blk Wat.-Cof.Disp. Inlet Connec.Rylo Kr
19	17000616	Black Coffee Dispenser Tube Ryl
20	17000337	Black Seal For Coffee Dispenser Ryl
21	17000257	Black.Coffee Dispenser Support Ryl
22	17004047	Blk Cof.Dispens.Supp. Rylo Assy. Kr
23	17000348	Blk Cappuccinatore Board Supp.Cover Ryl
24	11025772	Cappuccinatore Board Ryl
25	17000019	Ss Carafe Micro Insert Spring Myb9
26	17000421	Black Cappuccinatore Presence Insert Ryl
27	17000339	Black Cappuccinatore Board Support Ryl
28	17000389	Grey Left Cappuccinatore Insert Ryl
29	17004098	Blk Upper Cappuc.Lid Laser.Ryl
30	17000785	Black Cappuc.Input Milk Connector Ryl
31	NM01.028	O-Ring 106 Silicone
32	17000338	Black Left Entry Cappuccinat.Casing Ryl
33	17000382	Ss Cappuccinatore Insert Spring Ryl
34	17000402	Grey Right Cappuccinatore Insert Ryl
35	421941278272	Blk Lower Cappuccinatore Lid V2 Ryl
36	421941260042	Blk Cappuccinatore S/Scr.V2 Rylo Assy
37	421944059361	Milk Intake+Outlet Connect.Ryl V2
38	17001362	Blk Milk Intake Tube Connect.Ins.V2 Ryl
39	11029672	"Silicone Tube 3,5X6 L=500 Mm"
40	421946032811	Kit Blk Cappuccinatore Rylo

Pos. Code	Description	Note
-----------	-------------	------

AULIKA TOP HSC / TOP HSC RI
TABLE 5/17
E74230.05
STEAM
COFFEE


Pos. Code	Description	Note
1	17004031	Steam Tubol.Boiler Supp.Rylo V2 Kr
1	421941276892	Steel Steam Tubol.Boiler Support V2 Ryl
2	12000450	"Screw Tcbr Torx 10 3,5X12 Plast.Zn-N"
3	17000471	Black Boiler Antivibration Ryl
4	421944057621	Neu Slim Tub.Boilers Support V2 Myb9
5	11034740	Slim Tub.Boil.T190°-190°1300W 120V Tw As
5	421941229822	Slim T.Chaud.V2 C2 T190-190 1300W 230 As
6	12001280	Screw Tsp Torx 10 5X20 Plast.Zn-B
7	17001178	"Blk Ev 1/8""Gas.Connector V2 Insert Ryl"
8	17001909	"Red Ev Connector 1/8""Gas Seal V2 Ryl"
9	11027334	"Tea/Brass Electro. Connect 1/8""Gas V2 Ryl"
10	11024469	L-F/Brass Connector For Boiler Aura
11	17001262	Lfbrass 2W.Ev 21Jn1Rrv20-X005+Lbv05024Cu
12	17000168	Black Electro./Connector Supp.Ryl
13	U043.012	Screw Tcb Torx 20 M4X6 Zn-B
14	17004101	Plug. Tea/Brass 4 Ways Connect Assy
15	17001908	Brass 4Ways Connect+Safety Valve V3 Ryl
16	17000428	Steel Connectors Fixing Plate Ryl
17	11031414	Tea/Brass Electro.V3 24V Ryl/T Assy.
17	17004115	Tea/Brass Electro.V4 24V Ryl/T Assy.
18	12001622	"Screw Tcb Torx B 3,5X9,5 Scheet Nik"
19	190800100	Temperature Sensor Ntc UI L=280Mm
20	129573402	Screw Tapt M4X10 Din 7985 Galv
21	11034738	Steam Tub.Boiler V2 Ryl 120V Assy
21	17004043	Steam Tub.Boiler Rylo Kr.230V
21	421941227702	Steam Tub.Boiler V2 Ryl 230V Assy
22	11034739	Coffee Tub.Boiler 120V V2 Ryl/T Assy
22	421941227692	Coffee Tub.Boiler 230V V2 Ryl/T Assy
23	421944024121	Tub.Boiler Xs4 1300W 230V Assy.
23	421944046121	Tub.Boiler Xs4 1300W 120V Assy.
24	12001033	Thermostat One Shot 190°
25	11001751	Tub.Boiler V3 Upper Therm.Fixing Spring
26	124390520	"Brass Bent Faston 45° 6,3X0,8"
27	128310402	Galv.Washer Uni 8842 A4
28	12001715	Screw Tcb Torx 20 M4X8 Autoforming Zn-B
29	11025744	Tea/Brass Hot Water Pin Ryl Assy.
30	128310521	Washer Uni 8842 A5 Ss
31	11003555	"Galvanized Self-Tapping Screw 4,8X32"
32	17000163	Steel Coffee Tubol.Boiler Support Ryl/T
33	11000750	Tea/Brass Connector For Silicone Tube
34	140328059	Or 2015 Silicone Ptf/Fda
35	17000156	Black Hot Water Pin Support Ryl
36	140326662	Or Orm 0040-20 Silicone
37	11009012	Tea/Brass Boiler Pin Bush
38	11009013	Tea/Brass Pin For Piston L=10
39	9011.132	Ss Spring For Pin
40	11009019	"Tea/Brass Piston L=20,9 Assy."

Pos. Code	Description	Note
41	9161.434	Hot Water Pin
42	11005099	Natural Cursor V2 For Boiler P119
43	11026413	Tea/Brass Hot Water Pin Plug Ryl
44	9011.144	Ss Fork For Tube D=4
45	NM01.035	Or Orm 0090-20 Silicone
46	NM01.057	Or Orm 0050-20 In Silicone

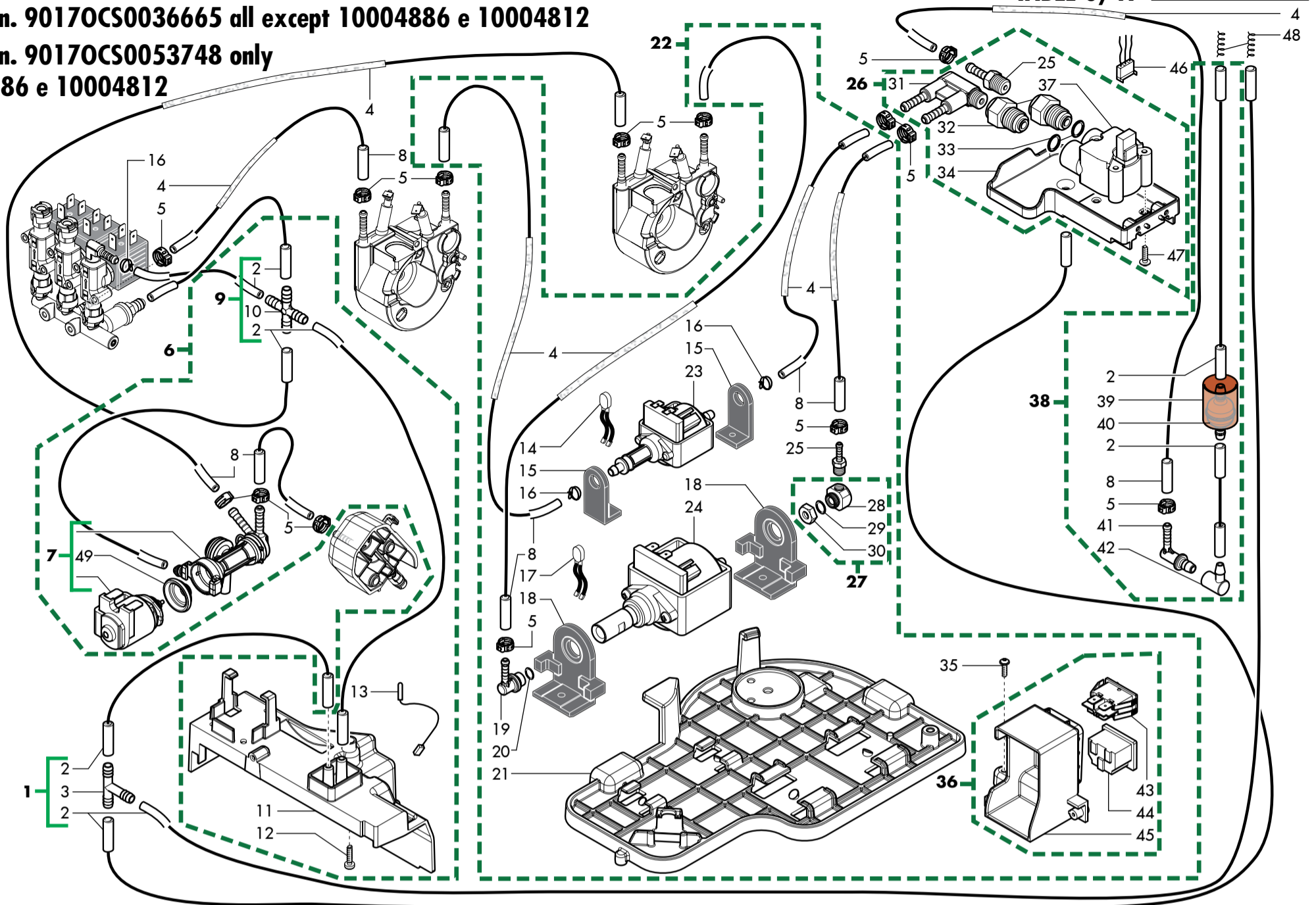
AULIKA TOP HSC / TOP HSC RI

E74230.06

TABLE 6/17

Up to s.n. 90170CS0036665 all except 10004886 e 10004812

**Up to s.n. 90170CS0053748 only
10004886 e 10004812**



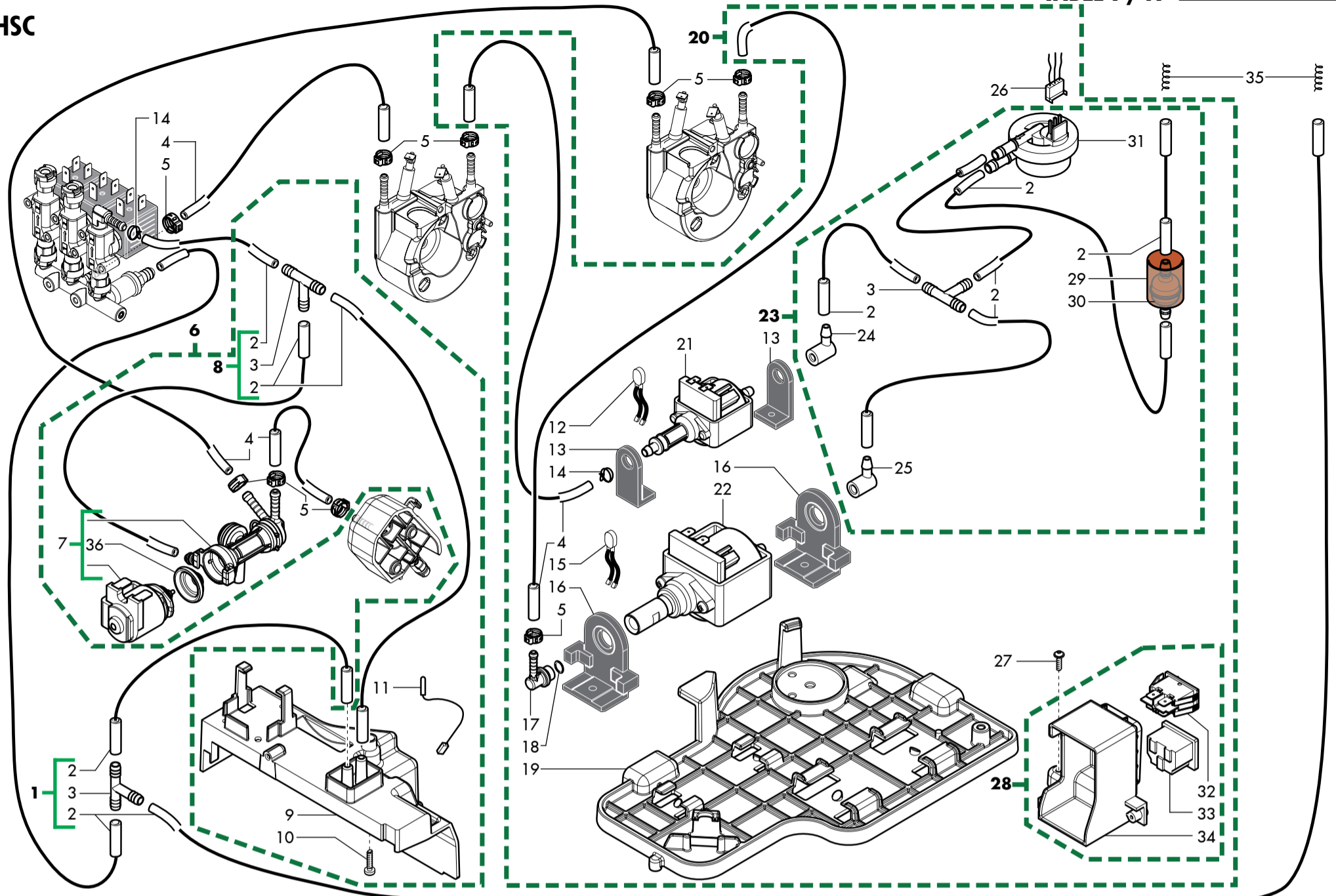
Pos. Code	Description	Note	Pos. Code	Description	Note
1	11029674	Water Cont/Turbine Drain Tubes Rylo Assy	48	0701.081	Spring For Tube Product 1
2	11035450	Silicone Tube 5X10 L.2000Mm	49	11001513	Blowdown Valve Membrane Seal P0049
3	147920300	Trans.Connector D=8 Art.80.26.047 Ka.461			
4	11032467	"Silicone Tube 11X12,8 L.2000 Mm"			
5	12000892	"Oetiker Clamp D=9,5 16700004"			
6	11030199	230V/Blk Prot+Blowdown Valve Rylo Assy.			
7	11025742	Blowdown Valve V3 Ryl 230V Assy.	230V		
8	11027788	"Pink 5X8,9 Silicone Tube L=2000Mm"			
9	11030213	Safety Valve/Ev Drain Tubes Rylo Assy.			
10	12001812	Transp.Cross Connector D=8 Rylo			
11	17000165	Black Drip Tray Protection Ryl			
12	129913902	Screw Tcb Torx 10 3X12 Plast.Zn-B			
13	17800442	2Poles Connect.Sensor Reed Dump Box Cst			
14	17800203	2Poles Connector Steam Pump Ryl UI			
15	11029554	Black/Sbd Ulka Mf Pump Support			
16	184320200	"Spring Hose Clamp D=9,5Mm"			
17	17800202	2Poles Connector Coffee Pump Ryl UI			
18	11022857	Black Pump Support Gmyb			
19	11001054	Blk Pump Outlet 90°Connector P0049/B			
20	140321961	O-Ring 2031 Termoil			
21	17000973	Black Components Support Rylo			
22	421944023731	Components Supp.V2 230V Rylo Assy.	230V - 50HZ		
23	12001212	Ulka Pump Mf 230V-50Hz	230V - 50HZ		
24	421941305991	Ulka Pump Ep5Fmgw 230V-50Hz			
25	11006304	Tea/Brass Connector For Alum.Boiler			
26	11025871	Gen.Turbine Rylo Assy.			
27	9079.A37	Rear Conn. Ass. M5 For Ulka Pump			
28	9181.350	"Tea/Brass Rear Connector 1/8" Ulka Pump"			
29	NM03.017	O-Ring R6 Nbr			
30	9071.054	Brass Nut For Ulka Pump Rear Connector			
31	11010243	Tea/Brass 90° Double Connector			
32	9181.406	Tea/Brass Connector Turbine Mf 1/4 1/8			
33	NM01.049	Or Orm 0070-20 Silicone			
34	17000821	Black Turbine Support Rylo			
35	12000450	"Screw Tcbr Torx 10 3,5X12 Plast.Zn-N"			
36	421941294291	Iec Connector V2 Ryl Assy.			
37	NV99.033	Digmesa Turbine In Plastic 937-1512/F09			
38	11029900	Aspiration Tubes Rylo Assy.			
39	147756562	Blk Protection For Folk Spring Tube D=4			
40	12001595	Transp/White Aspiration Filter Mds			
41	17001358	Blk Water Cont/Flowmeter 90°Connect.Rylo			
42	147920150	90° Inlet Pump Connector			
43	NE03.038	Bipolar Switch Fusit C1250Ar			
44	12001883	Cup Socket V3 En 60320 C 13			
45	17000162	Black Socket-Switch Support Ryl			
46	421946001561	6P.Conn.Flowmeter V2 Rylo UI Assy.			
47	129912104	Screw Tcbr Torx 20 4X10 Plast.Zn-N			

AULIKA TOP HSC / TOP HSC RI

E74230.07

TABLE 7/17

HSC



Pos. Code	Description	Note	
1	11027095	Water Container/Ev Drain Tubes Ryl Assy.	
2	11035450	Silicone Tube 5X10 L.2000Mm	
3	147920300	Trans.Connector D=8 Art.80.26.047 Ka.461	
4	11027788	"Pink 5X8,9 Silicone Tube L=2000Mm"	
5	12000892	"Oetiker Clamp D=9,5 16700004"	
6	11025743	230V/Blk Prot+Blowdown Valve Ryl/T Assy.	230V
6	11028149	220-60Hz/Blk Prot+Blowd.Valve Ryl/T Assy	220V
6	11028186	120V/Blk Prot+Blowdown Valve Ryl/T Assy.	120V
7	11025742	Blowdown Valve V3 Ryl 230V Assy.	230V
7	11028161	Blowdown Valve V3 Ryl 220V-60Hz Assy.	220V
7	11028187	Blowdown Valve V3 Ryl 120V Assy.	120V
8	11025741	Valve/Ev Drain Tubes Ryl Assy.	
9	17000165	Black Drip Tray Protection Ryl	
10	129913902	Screw Tcb Torx 10 3X12 Plast.Zn-B	
11	17800442	2Poles Connect.Sensor Reed Dump Box Cst	
12	17800203	2Poles Connector Steam Pump Ryl UI	
13	11029554	Black/Sbd Ulka Mf Pump Support	
14	184320200	"Spring Hose Clamp D=9,5Mm"	
15	17800202	2Poles Connector Coffee Pump Ryl UI	
16	11022857	Black Pump Support Gmyb	
17	11001054	Blk Pump Outlet 90°Connector P0049/B	
18	140321961	O-Ring 2031 Termoil	
19	17000973	Black Components Support Rylo	
20	11028608	Components Supp.220V-60Hz Ryl/T Assy.	220V
20	11028609	Components Supp.120V Ryl/T Assy.	120V
20	11034678	Components Supp.V3 230V Rylo Assy.	230V
21	12001212	Ulka Pump Mf 230V-50Hz	230V - 50HZ
21	12001346	Ulka Pump Mf 120V-60Hz	120V - 60HZ
21	12001348	Ulka Pump Mf 220V-50/60Hz	220V - 50/60HZ
22	12000131	Ulka Pump Ep5/S 120V-60Hz	120V - 60HZ
22	12000182	Ulka Pump Ep5/S Gw 220V-60Hz	220V - 60HZ
22	421941305991	Ulka Pump Ep5Fmgw 230V-50Hz	230V - 50HZ
23	11025709	Gen.Turbine Ryl/T Assy.	
24	11012193	90° Inlet Connector For Pump Ulka Mf	
25	147920150	90° Inlet Pump Connector	
26	421946001551	6P.Conn.Flowmeter V3 Ryl UI Assy.	
27	12000450	"Screw Tcbr Torx 10 3,5X12 Plast.Zn-N"	
28	17800455	Iec Connector Ryl UI Assy.	UL
28	421941294291	Iec Connector V2 Ryl Assy.	
29	147756562	Blk Protection For Folk Spring Tube D=4	
30	12001595	Transp/White Aspiration Filter Mds	
31	NV99.099	"Turbine D=1,2 932-9521/B Assy."	
32	NE03.038	Bipolar Switch Fusit C1250Ar	
33	12001883	Cup Socket V3 En 60320 C 13	
34	11028204	Black Socket-Switch Support Ryl UI	UL
34	17000162	Black Socket-Switch Support Ryl	
35	0701.081	Spring For Tube Product 1	

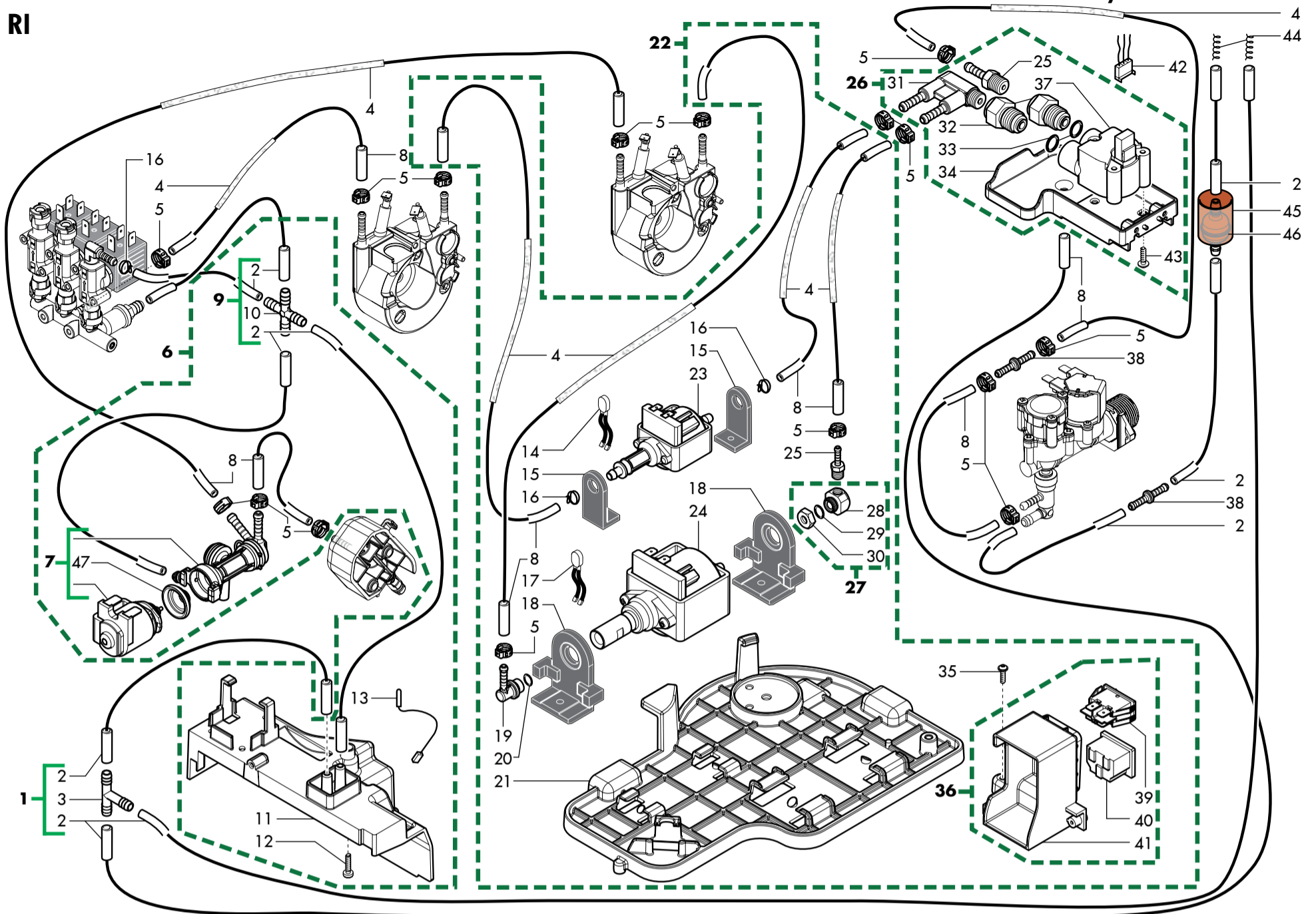
Pos. Code	Description	Note
36	11001513	Blowdown Valve Membrane Seal P0049

AULIKA TOP HSC / TOP HSC RI

E74230.08

TABLE 8/17

HSC RI



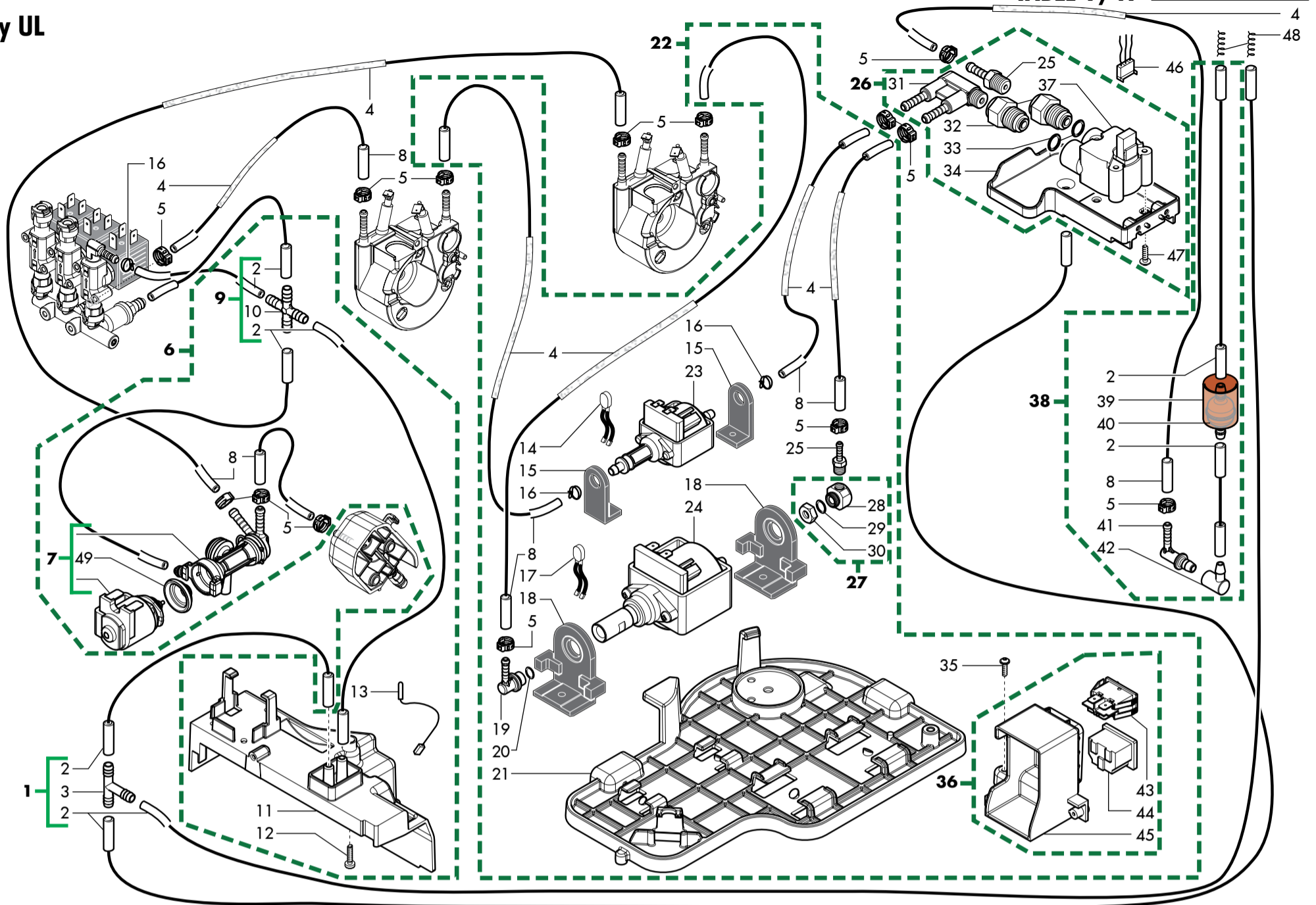
Pos. Code	Description	Note	Pos. Code	Description	Note
1	11029674	Water Cont/Turbine Drain Tubes Rylo Assy			
2	11035450	Silicone Tube 5X10 L.2000Mm			
3	147920300	Trans.Connector D=8 Art.80.26.047 Ka.461			
4	11032467	"Silicone Tube 11X12,8 L.2000 Mm"			
5	12000892	"Oetiker Clamp D=9,5 16700004"			
6	11030199	230V/Blk Prot+Blowdown Valve Rylo Assy.	230V		
7	11025742	Blowdown Valve V3 Ryl 230V Assy.			
8	11027788	"Pink 5X8,9 Silicone Tube L=2000Mm"			
9	11030213	Safety Valve/Ev Drain Tubes Rylo Assy.			
10	12001812	Transp.Cross Connector D=8 Rylo			
11	17000165	Black Drip Tray Protection Ryl			
12	129913902	Screw Tcb Torx 10 3X12 Plast.Zn-B			
13	17800442	2Poles Connect.Sensor Reed Dump Box Cst			
14	17800203	2Poles Connector Steam Pump Ryl UI			
15	11029554	Black/Sbd Ulka Mf Pump Support			
16	184320200	"Spring Hose Clamp D=9,5Mm"			
17	17800202	2Poles Connector Coffee Pump Ryl UI			
18	11022857	Black Pump Support Gmyb			
19	11001054	Blk Pump Outlet 90°Connector P0049/B			
20	140321961	O-Ring 2031 Termoil			
21	17000973	Black Components Support Rylo			
22	421944023731	Components Supp.V2 230V Rylo Assy.	230V - 50HZ 230V - 50HZ		
23	12001212	Ulka Pump Mf 230V-50Hz			
24	421941305991	Ulka Pump Ep5Fmgw 230V-50Hz			
25	11006304	Tea/Brass Connector For Alum.Boiler			
26	11025871	Gen.Turbine Rylo Assy.			
27	9079.A37	Rear Conn. Ass. M5 For Ulka Pump			
28	9181.350	"Tea/Brass Rear Connector 1/8" Ulka Pump"			
29	NM03.017	O-Ring R6 Nbr			
30	9071.054	Brass Nut For Ulka Pump Rear Connector			
31	11010243	Tea/Brass 90° Double Connector			
32	9181.406	Tea/Brass Connector Turbine Mf 1/4 1/8			
33	NM01.049	Or Orm 0070-20 Silicone			
34	17000821	Black Turbine Support Rylo			
35	12000450	"Screw Tcbr Torx 10 3,5X12 Plast.Zn-N"			
36	421941294291	Iec Connector V2 Ryl Assy.			
37	NV99.033	Digmesa Turbine In Plastic 937-1512/F09			
38	17001018	Black Water Supply Connector Rylo Ri			
39	NE03.038	Bipolar Switch Fusit C1250Ar			
40	12001883	Cup Socket V3 En 60320 C 13			
41	17000162	Black Socket-Switch Support Ryl			
42	421946001561	6P.Conn.Flowmeter V2 Rylo UI Assy.			
43	129912104	Screw Tcbr Torx 20 4X10 Plast.Zn-N			
44	0701.081	Spring For Tube Product 1			
45	147756562	Blk Protection For Folk Spring Tube D=4			
46	12001595	Transp/White Aspiration Filter Mds			
47	11001513	Blowdown Valve Membrane Seal P0049			

AULIKA TOP HSC / TOP HSC RI

TABLE 9/17

E74230.09

Only UL



Pos. Code	Description	Note
1	11029674	Water Cont/Turbine Drain Tubes Rylo Assy
2	11035450	Silicone Tube 5X10 L.2000Mm
3	147920300	Trans.Connector D=8 Art.80.26.047 Ka.461
4	11032467	"Silicone Tube 11X12,8 L.2000 Mm"
5	12000892	"Oetiker Clamp D=9,5 16700004"
6	421941304711	120V/Blk Prot+Blowdown Valve Rylo Assy.
7	11028187	Blowdown Valve V3 Ryl 120V Assy.
8	11027788	"Pink 5X8,9 Silicone Tube L=2000Mm"
9	11030213	Safety Valve/Ev Drain Tubes Rylo Assy.
10	12001812	Transp.Cross Connector D=8 Rylo
11	17000165	Black Drip Tray Protection Ryl
12	129913902	Screw Tcb Torx 10 3X12 Plast.Zn-B
13	17800442	2Poles Connect.Sensor Reed Dump Box Cst
14	17800203	2Poles Connector Steam Pump Ryl UI
15	11029554	Black/Sbd Ulka Mf Pump Support
16	184320200	"Spring Hose Clamp D=9,5Mm"
17	17800202	2Poles Connector Coffee Pump Ryl UI
18	11022857	Black Pump Support Gmyb
19	11001054	Blk Pump Outlet 90°Connector P0049/B
20	140321961	O-Ring 2031 Termoil
21	17000973	Black Components Support Rylo
22	421941304721	Components Supp.120V Rylo Assy.
23	12001346	Ulka Pump Mf 120V-60Hz
24	12000131	Ulka Pump Ep5/S 120V-60Hz
25	11006304	Tea/Brass Connector For Alum.Boiler
26	11025871	Gen.Turbine Rylo Assy.
27	9079.A37	Rear Conn. Ass. M5 For Ulka Pump
28	9181.350	"Tea/Brass Rear Connector 1/8" Ulka Pump"
29	NM03.017	O-Ring R6 Nbr
30	9071.054	Brass Nut For Ulka Pump Rear Connector
31	11010243	Tea/Brass 90° Double Connector
32	9181.406	Tea/Brass Connector Turbine Mf 1/4 1/8
33	NM01.049	Or Orm 0070-20 Silicone
34	17000821	Black Turbine Support Rylo
35	12000450	"Screw Tcbr Torx 10 3,5X12 Plast.Zn-N"
36	17800455	Iec Connector Ryl UI Assy.
37	NV99.033	Digmesa Turbine In Plastic 937-1512/F09
38	11029900	Aspiration Tubes Rylo Assy.
39	147756562	Blk Protection For Folk Spring Tube D=4
40	12001595	Transp/White Aspiration Filter Mds
41	17001358	Blk Water Cont/Flowmeter 90°Connect.Rylo
42	147920150	90° Inlet Pump Connector
43	NE03.038	Bipolar Switch Fusit C1250Ar
44	12001883	Cup Socket V3 En 60320 C 13
45	11028204	Black Socket-Switch Support Ryl UI
46	421946001561	6P.Conn.Flowmeter V2 Rylo UI Assy.
47	129912104	Screw Tcbr Torx 20 4X10 Plast.Zn-N

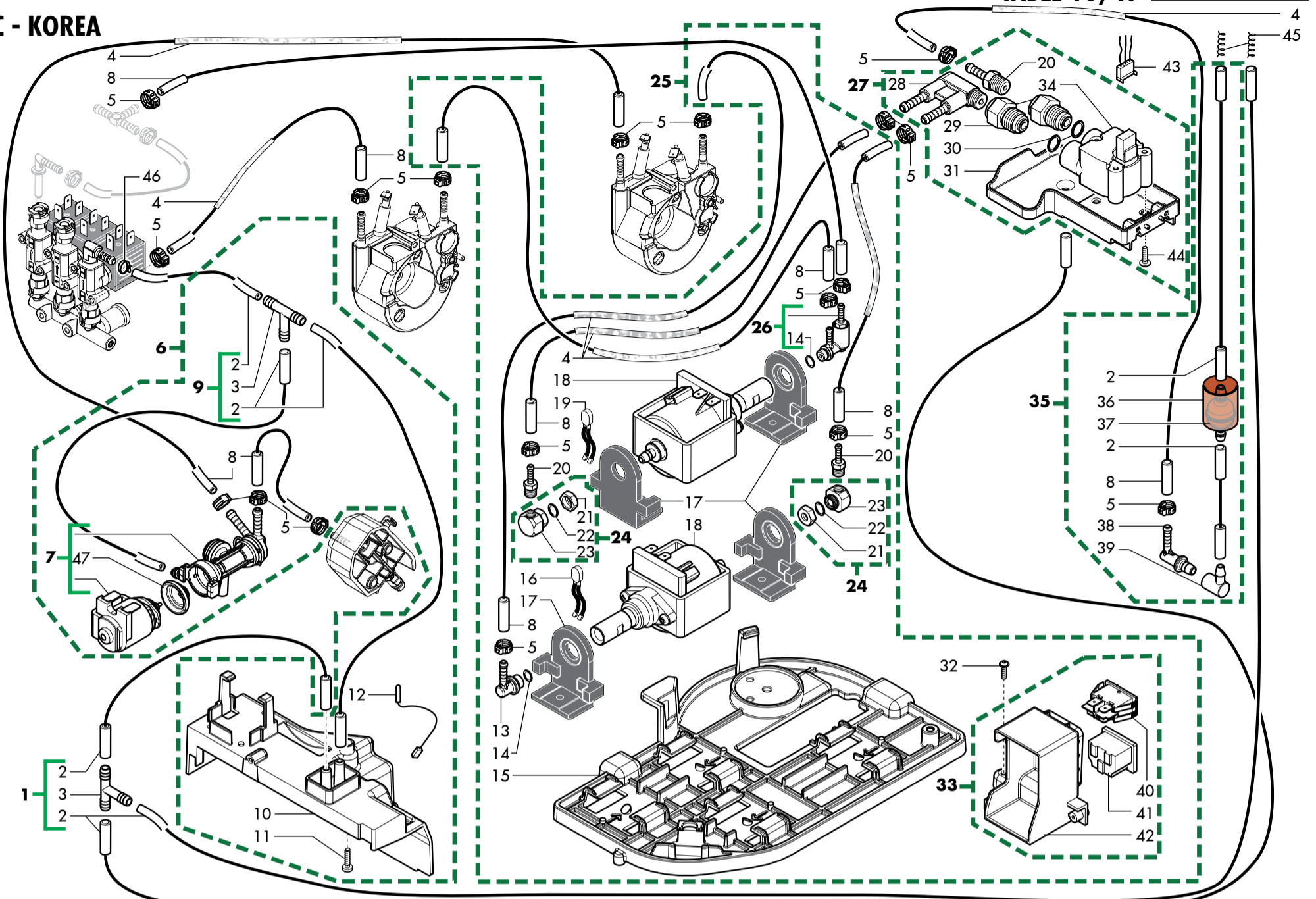
Pos. Code	Description	Note
48	0701.081	Spring For Tube Product 1
49	11001513	Blowdown Valve Membrane Seal P0049

AULIKA TOP HSC / TOP HSC RI

E74230.10

TABLE 10/17

HSC - KOREA



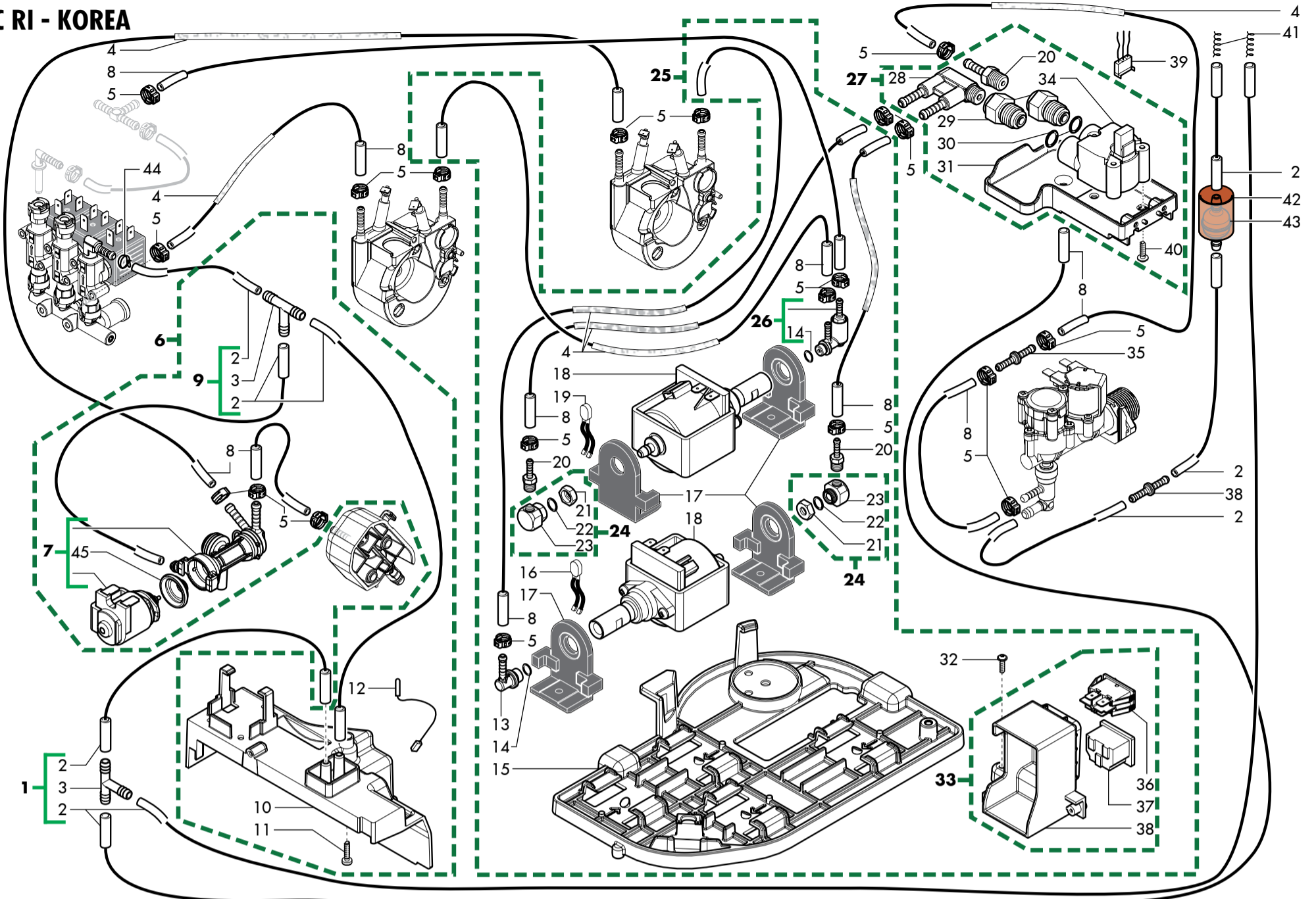
Pos. Code	Description	Note	Pos. Code	Description	Note
1	11029674	Water Cont/Turbine Drain Tubes Rylo Assy			
2	11035450	Silicone Tube 5X10 L.2000Mm			
3	147920300	Trans.Connector D=8 Art.80.26.047 Ka.461			
4	11032467	"Silicone Tube 11X12,8 L.2000 Mm"			
5	12000892	"Oetiker Clamp D=9,5 16700004"			
6	17004117	220V/Blk Prot+Blowdown Valve Rylo K As.			
7	11028161	Blowdown Valve V3 Ryl 220V-60Hz Assy.			
8	11027788	"Pink 5X8,9 Silicone Tube L=2000Mm"			
9	17004116	Safety Valve/Ev Drain Tubes Rylo K Assy.			
10	17000165	Black Drip Tray Protection Ryl			
11	129913902	Screw Tcb Torx 10 3X12 Plast.Zn-B			
12	17800442	2Poles Connect.Sensor Reed Dump Box Cst			
13	11001054	Blk Pump Outlet 90°Connector P0049/B			
14	140321961	O-Ring 2031 Termoil			
15	17004032	Blk Components Support Rylo V2 Kr			
16	17800202	2Poles Connector Coffee Pump Ryl UI			
17	11022857	Black Pump Support Gmyb			
18	12000182	Ulka Pump Ep5/S Gw 220V-60Hz			
19	17004120	2P.Conn.Steam Pump V2 Ryl UI Assy.			
20	11006304	Tea/Brass Connector For Alum.Boiler			
21	9181.350	"Tea/Brass Rear Connector 1/8" Ulka Pump"			
22	NM03.017	O-Ring R6 Nbr			
23	9071.054	Brass Nut For Ulka Pump Rear Connector			
24	9079.A37	Rear Conn. Ass. M5 For Ulka Pump			
25	17004040	Components Supp.Assy. Rylo V2 Kr			
26	17004041	Safety Valve 5 Bar Assy.			
27	11025871	Gen.Turbine Rylo Assy.			
28	11010243	Tea/Brass 90° Double Connector			
29	9181.406	Tea/Brass Connector Turbine Mf 1/4 1/8			
30	NM01.049	Or Orm 0070-20 Silicone			
31	17000821	Black Turbine Support Rylo			
32	12000450	"Screw Tcbr Torx 10 3,5X12 Plast.Zn-N"			
33	421941294291	Iec Connector V2 Ryl Assy.			
34	NV99.033	Digmesa Turbine In Plastic 937-1512/F09			
35	11029900	Aspiration Tubes Rylo Assy.			
36	147756562	Blk Protection For Folk Spring Tube D=4			
37	12001595	Transp/White Aspiration Filter Mds			
38	17001358	Blk Water Cont/Flowmeter 90°Connect.Rylo			
39	147920150	90° Inlet Pump Connector			
40	NE03.038	Bipolar Switch Fusit C1250Ar			
41	12001883	Cup Socket V3 En 60320 C 13			
42	17000162	Black Socket-Switch Support Ryl			
43	421946001561	6P.Conn.Flowmeter V2 Rylo UI Assy.			
44	129912104	Screw Tcbr Torx 20 4X10 Plast.Zn-N			
45	0701.081	Spring For Tube Product 1			
46	184320200	"Spring Hose Clamp D=9,5Mm"			
47	11001513	Blowdown Valve Membrane Seal P0049			

AULIKA TOP HSC / TOP HSC RI

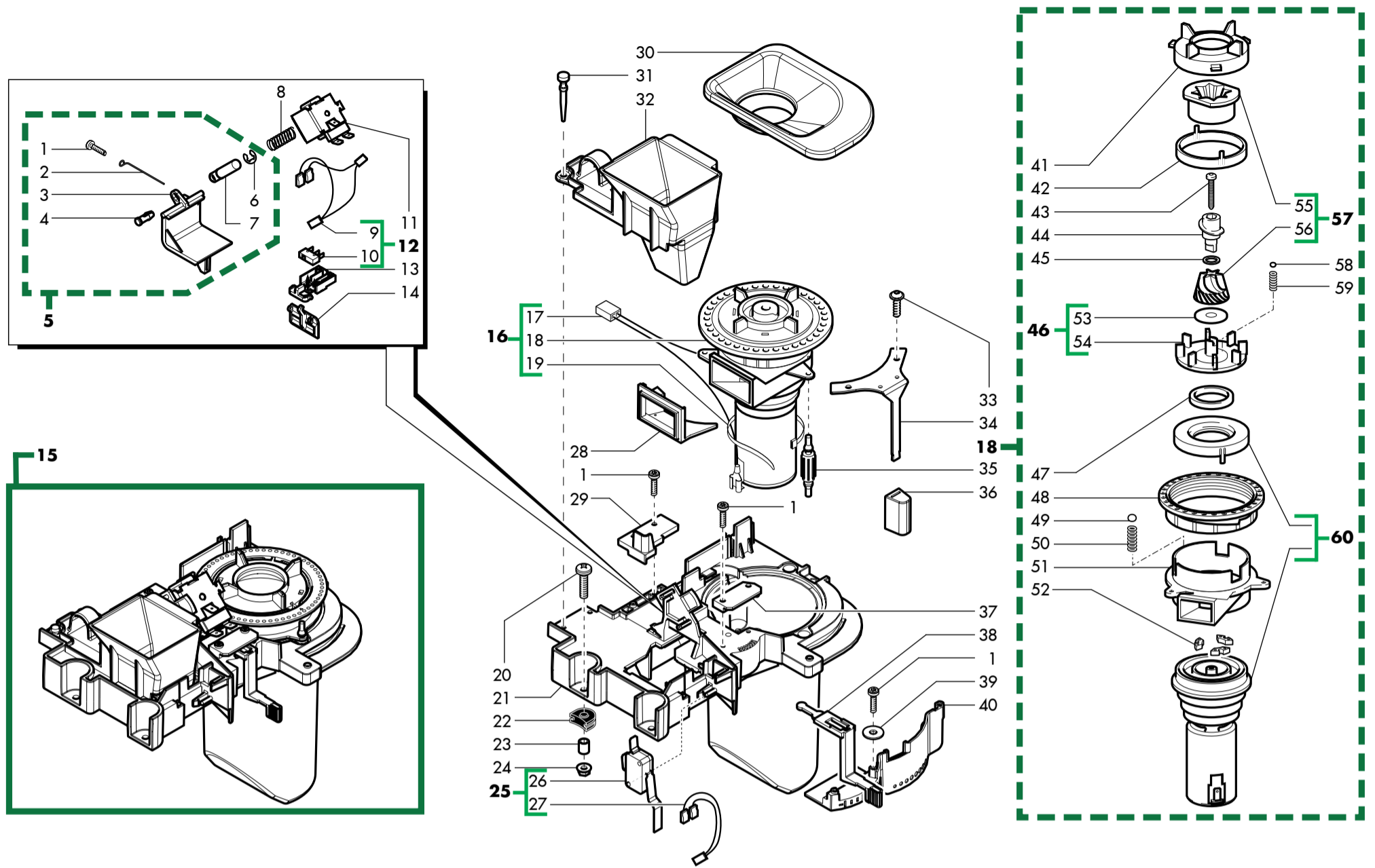
E74230.11

TABLE 11/17

HSC RI - KOREA

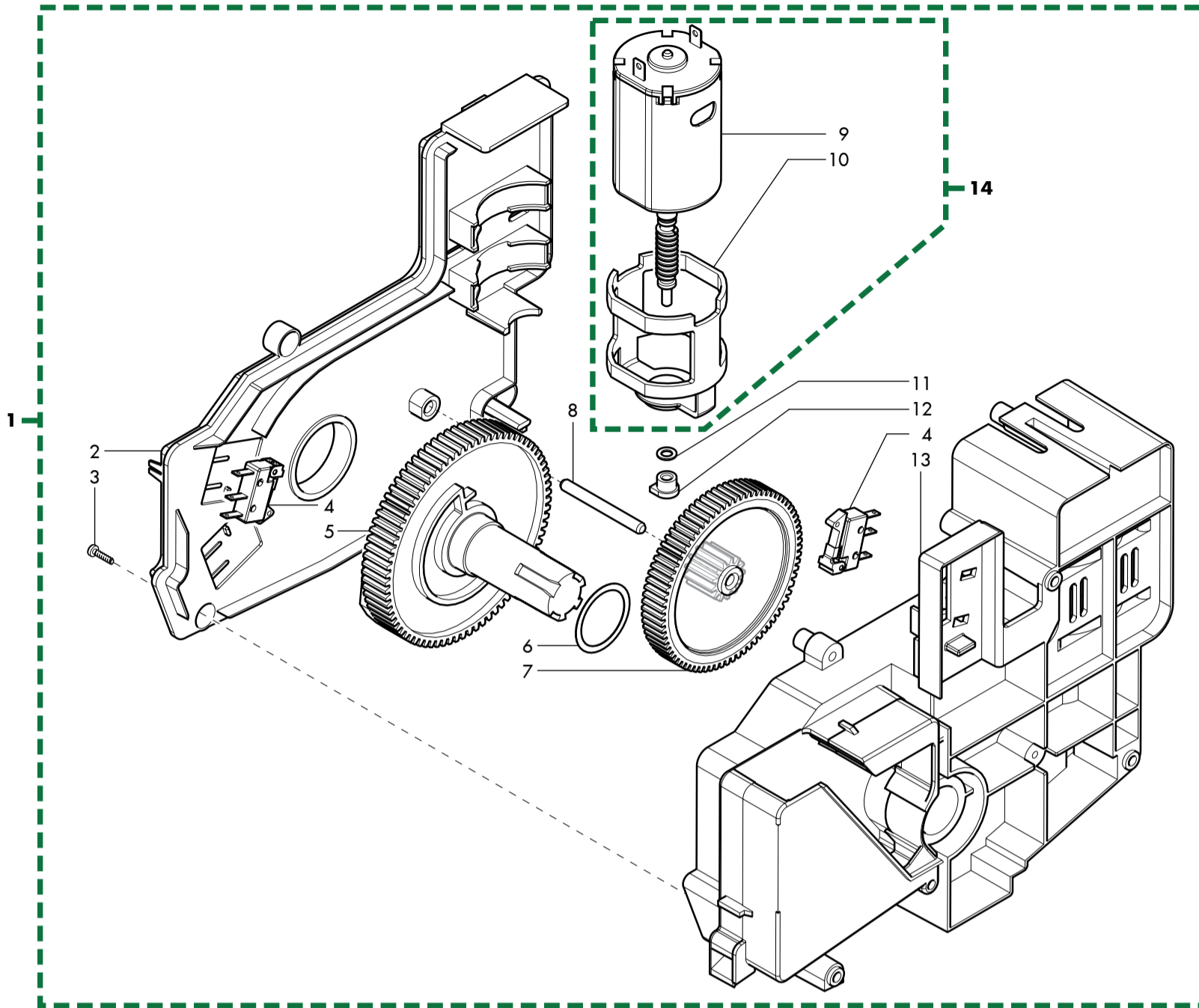


Pos. Code	Description	Note	Pos. Code	Description	Note
1	11029674	Water Cont/Turbine Drain Tubes Rylo Assy			
2	11035450	Silicone Tube 5X10 L.2000Mm			
3	147920300	Trans.Connector D=8 Art.80.26.047 Ka.461			
4	11032467	"Silicone Tube 11X12,8 L.2000 Mm"			
5	12000892	"Oetiker Clamp D=9,5 16700004"			
6	17004117	220V/Blk Prot+Blowdown Valve Rylo K As.			
7	11028161	Blowdown Valve V3 Ryl 220V-60Hz Assy.			
8	11027788	"Pink 5X8,9 Silicone Tube L=2000Mm"			
9	17004116	Safety Valve/Ev Drain Tubes Rylo K Assy.			
10	17000165	Black Drip Tray Protection Ryl			
11	129913902	Screw Tcb Torx 10 3X12 Plast.Zn-B			
12	17800442	2Poles Connect.Sensor Reed Dump Box Cst			
13	11001054	Blk Pump Outlet 90°Connector P0049/B			
14	140321961	O-Ring 2031 Termoil			
15	17004032	Blk Components Support Rylo V2 Kr			
16	17800202	2Poles Connector Coffee Pump Ryl UI			
17	11022857	Black Pump Support Gmyb			
18	12000182	Ulka Pump Ep5/S Gw 220V-60Hz			
19	17004120	2P.Conn.Steam Pump V2 Ryl UI Assy.			
20	11006304	Tea/Brass Connector For Alum.Boiler			
21	9181.350	"Tea/Brass Rear Connector 1/8" Ulka Pump"			
22	NM03.017	O-Ring R6 Nbr			
23	9071.054	Brass Nut For Ulka Pump Rear Connector			
24	9079.A37	Rear Conn. Ass. M5 For Ulka Pump			
25	17004040	Components Supp.Assy. Rylo V2 Kr			
26	17004041	Safety Valve 5 Bar Assy.			
27	11025871	Gen.Turbine Rylo Assy.			
28	11010243	Tea/Brass 90° Double Connector			
29	9181.406	Tea/Brass Connector Turbine Mf 1/4 1/8			
30	NM01.049	Or Orm 0070-20 Silicone			
31	17000821	Black Turbine Support Rylo			
32	12000450	"Screw Tcbr Torx 10 3,5X12 Plast.Zn-N"			
33	421941294291	Iec Connector V2 Ryl Assy.			
34	NV99.033	Digmesa Turbine In Plastic 937-1512/F09			
35	17001018	Black Water Supply Connector Rylo Ri			
36	NE03.038	Bipolar Switch Fusit C1250Ar			
37	12001883	Cup Socket V3 En 60320 C 13			
38	17000162	Black Socket-Switch Support Ryl			
39	421946001561	6P.Conn.Flowmeter V2 Rylo UI Assy.			
40	129912104	Screw Tcbr Torx 20 4X10 Plast.Zn-N			
41	0701.081	Spring For Tube Product 1			
42	147756562	Blk Protection For Folk Spring Tube D=4			
43	12001595	Transp/White Aspiration Filter Mds			
44	184320200	"Spring Hose Clamp D=9,5Mm"			
45	11001513	Blowdown Valve Membrane Seal P0049			

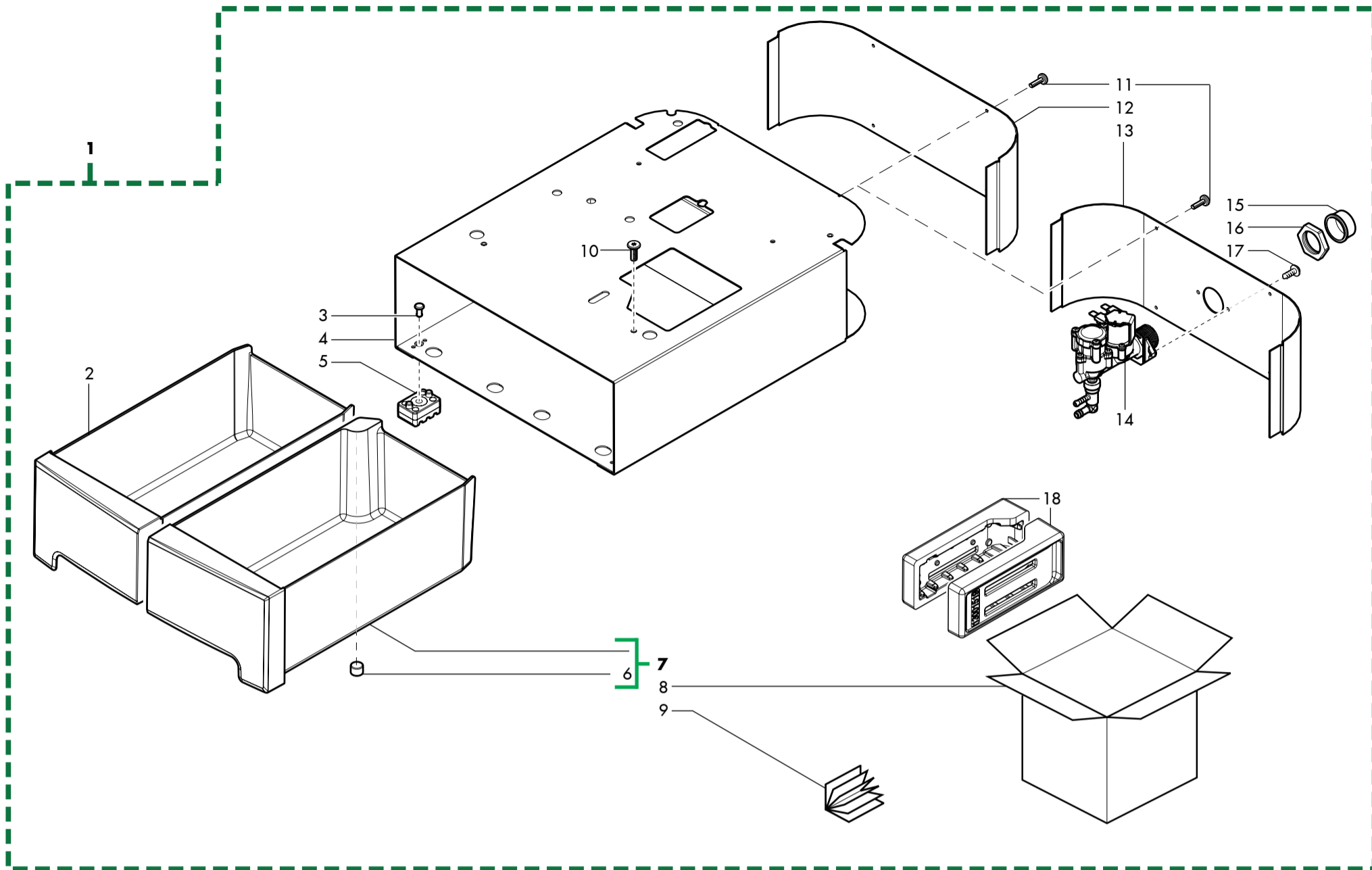
AULIKA TOP HSC / TOP HSC RI
TABLE 13/17
E74230.13


Pos.	Code	Description	Note
1	129913902	Screw Tcb Torx 10 3X12 Plast.Zn-B	
2	9161.048	Steel Ground Cof.Doser Scraper Rod	
3	9161.074.150	Grey Ground Coffe Doser Door	
4	9161.076.150	Grey Ground Cof.Doser Door Pin	
5	9140.017	Grey Ground Cof.Doser Door Assy.	
6	U701.003	Snap Ring 7 Uni 7434	
7	9161.041	Steel Ground Cof.Doser Electromagn.Core	
8	126764818	Spring Electrom.Bean Doser Magic	
9	421946000541	4P.Conn.Coil+Doser Micro V2 Ryl UI Assy.	
10	NE05.017	Microswitch	
11	11025734	Doser Coil For Superautom.24V Dc Assy.	
12	421946000921	Coil Wiring+Doser Micro V2 Ryl UI Assy.	
13	9161.072.150	Grey Micro Supp.Cursor Ground Cof.Doser	
14	9161.073.150	Grey Ground Cof.Dose Control Compensator	
15	11029886	Plate Coffee Grinder Gen.Rylo 230V Assy.	230V
15	421944015031	Plate Cof.Grinder Gen.Rylo 120V Assy.	120V
16	11027917	Coffee Grinder Std Calibrated 230V Assy.	230V
16	11028181	Coffee Grinder Std Calibrated 120V Assy.	120V
17	421946000531	2P.Conn.Grinder Motor V2 Ryl UI Assy.	
18	9140.036.00A	Coffee Grinder Std 230V Assy.	230V
18	9140.036.00F	Ass.Motor Std 120V	120V
19	144320200	Self Lock Strip W=2.6 L=200	
20	U043.004	Zn-B Tcb Torx 20 M4X16 Zn-B	
21	9161.365.150	Grey Plate Coffeegrinder Magic/Royal	
22	9991.005	Rubber For Coffee Grinder	
23	9141.003	Spacer For Rubber	
24	U324.006	Nut M4 Flanged Indented Base	
25	421946000911	Microswitch Door V2 Ryl UI Assy.	
26	12001605	Microswitch	
27	421946000501	2P.Conn.Door Micro V2 Ryl UI Assy.	
28	1505.014	Coffeegrinder Seal	
29	17001155	Grey Cover For Doser Hole Ryl	
30	17000238	Coffee Grinder Soundproofing Cover Ryl	
31	9161.082	Rubber Coupler	
32	17000176	Black Hopper For Powder Coffee Ryl	
33	12000450	"Screw Tcbr Torx 10 3,5X12 Plast.Zn-N"	
34	0333.008	Steel Grinding Adjustment Lever	
35	9991.103	Antivibration For Coffeegrinder	
36	0333.009	Blk Grinding Adjust.Lever Handgrip Royal	
37	9161.097.150	Grey Ground Cof.Doser Lever Fixing Plate	
38	9161.077.150	Dose Adjustment Lever De Luxe Grey	
39	U201.001	"Plain Washer 3,2X9 Din 7349 Galv."	
40	17000832	Gry Coff.Grinding/Dose Adjust.Scale Rylo	
41	149186150	Black Upper Grinder Support Magic	
42	142844550	Upper Grinder Cover Coffee Grind. Magic	
43	129931002	"Torx Screw T10 Tcb 3,5X40 Sx Zng"	
44	147470763	Blk Increase Screw Pin Cof.Grinder Magic	

Pos.	Code	Description	Note
45	U201.002	"Plain Washer 10X16X0,2Din 988 Gal"	
46	149188750	Conical Grind. Supp. + Ring Magic	
47	140360200	Felt Ring 40X34X5	
48	146570950	Ring Nut For Grinding Adjustment Magic	
49	128610421	"Stail.Stell Aisi 304 Sphere D=3,2Mm"	
50	126770117	"New Spring Sphere D=3,2 Motor Magic"	
51	9141.080	Black Coffee Grinder Motor Support	
52	140230400	Shock Abs .Conical Grinder Supp.Magic	
53	9141.042	Safety Ring	
54	9141.028	Black Lower Grinder Support Magic	
55	9141.039	Upper Grinder	
56	9141.040	Conical Grinder	
57	226477700	Kit Ital Mill Grinders	
58	128610521	"Stail.Steel Aisi 304 Sphere D=5,5Mm"	
59	126765517	"Steel Spring Sphere D=5,5 Motor Magic"	
60	0301.R10.00A	Spare Motor Unit Mc 230V	230V
60	0301.R10.00F	Spare Motor Unit Mc 120V	120V



Pos. Code	Description	Note	Pos. Code	Description	Note
1	11025736	Ratiomotor Ryl Assy.			
2	17000719	Grey Ratiomotor Lid Ryl			
3	129670202	"Tcb Panelvit Screw 3,5X16 Testa D=8 Znp"			
4	NE05.038	Microswitch Saia Xcg5-81-P5			
5	11007137	Black Gear Z=77 V2 For Ratiomotor P124			
6	9161.368	Mylar Washer For Ratiomotor			
7	146002800	Grey Gear Z=13/90 For Ratiomotor P124			
8	9121.039	Steel Pin For Ratiomotor Gear Magic			
9	11003037	Motor For Ratiomotor Assy.			
10	9121.044	Antivibration For Motor			
11	148380200	"Bakelizzate Washer D=5,5"			
12	9121.046	Bronze Sintered Bush For Motor Ratiomot.			
13	11026258	Grey Ratiomotor Casing With Tube Assy.			
14	11005214	Motor For Ratiomotor P124 Assy.			

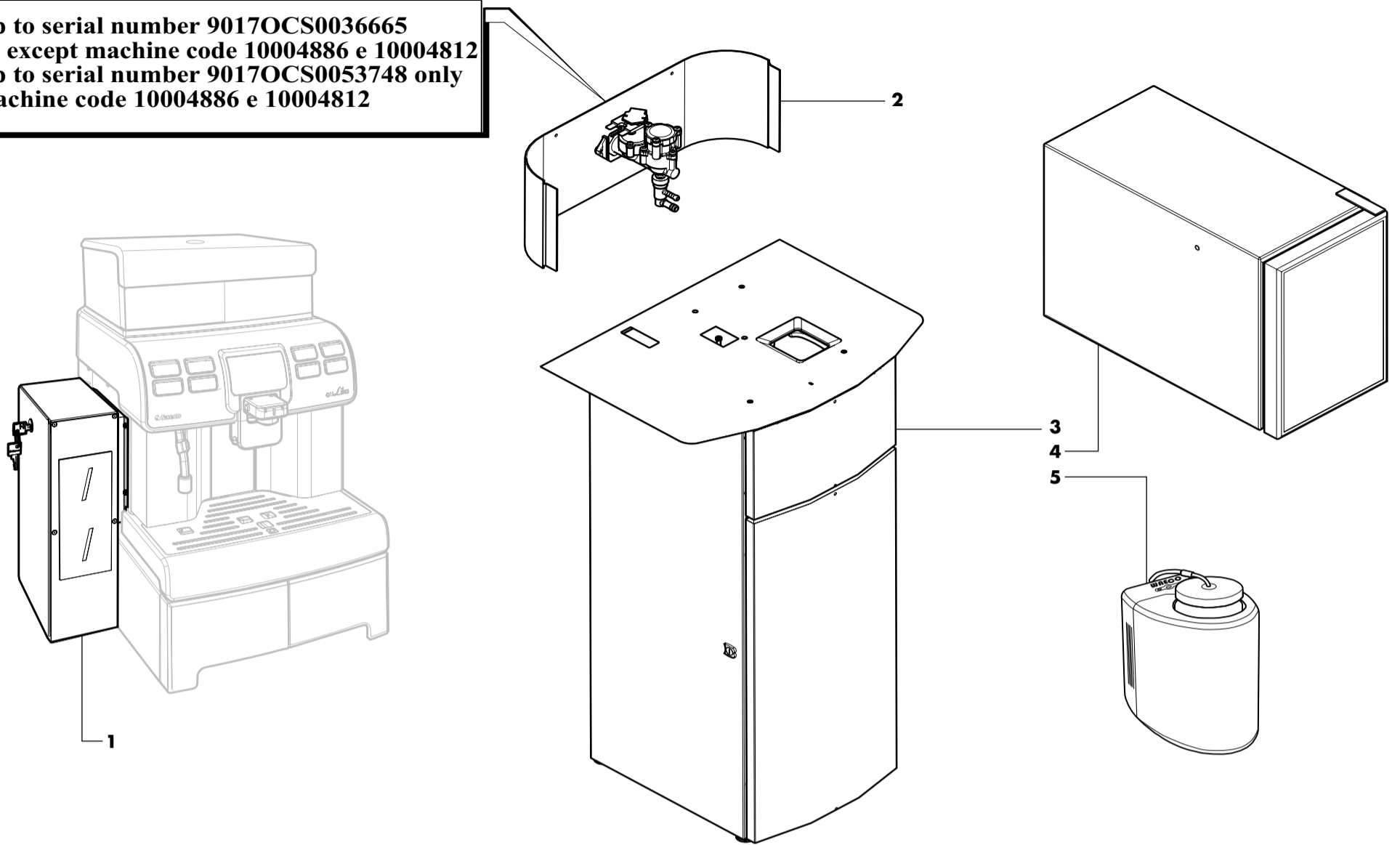


Pos. Code	Description	Note	
1	11029676	Black/Crc Base Rylo Assy.	SIL
1	11030450	Black/Crc Base Rylo Ri Assy.	RI - SIL
1	11034378	Blk/Txo Base Rylo Ri Assy.	RI - BLK
1	421944010861	Blk-Txo/Blk Base Rylo Assy.	BLK
2	11029731	Crc Base Repository Drawer Rylo	SIL
2	421941302441	Txo/Blk Base Repository Drawer Rylo	BLK
3	11021769	Black Rigid Foot Fixing Pin Myb9	
4	421946005111	Blk Steel Base Casing V2 Rylo Assy.	
5	11021829	Black/Transp.Rigid Foot Myb9	
6	9161.111	Magnet For Float Superaut.	
7	11029719	Crc Base Dump Box Rylo Assy.	SIL
7	421941302531	Txo/Blk Base Dump Box Rylo Assy.	BLK
8	13001676	Havana Box V2 Base Rylo	
9	15003922	Manual Sae Sup040R Rylo Ri 17Lang.	RI
10	129914302	"Screw Torx M4X10 Testa D=8X1,5 Galv"	
11	12001622	"Screw Tcb Torx B 3,5X9,5 Scheet Nik"	
12	421944001181	Blk Base Rear Panel Rylo	
13	11029701	Black Base Rear Panel Rylo Ri	RI
14	17001582	Connect.Water Supply Rylo Ri Assy.	RI
15	NV03.002	""Cap 3/4 """"Kapsto 800R 3/4""""	RI
16	NV99.075	"Ghiera In Nylon G3/4"" 6 Mm."	RI
17	129912104	Screw Tcbr Torx 20 4X10 Plast.Zn-N	RI
18	13001519	Ps-E Insert For Box Base Rylo	

Pos. Code	Description	Note

ACCESSORIES

Up to serial number 9017OCS0036665
 all except machine code 10004886 e 10004812
 Up to serial number 9017OCS0053748 only
 machine code 10004886 e 10004812



Pos. Code	Description	Note
1	21002350 Ve Kit Box Paym. Sys. Aulika Top Hsc	
2	20007241 Kit Water Supply Aulika	
3	10005004 Ve Cabinet Aulika-Royal-Ambra Blk-Sil	
4	21001800 Acc Pr Frigo Astra 220/230 50/60 Sch Blk	
5	21001820 Acc Pr Mantenitore 100/240V 50-60Hz Blk	

Pos. Code	Description	Note