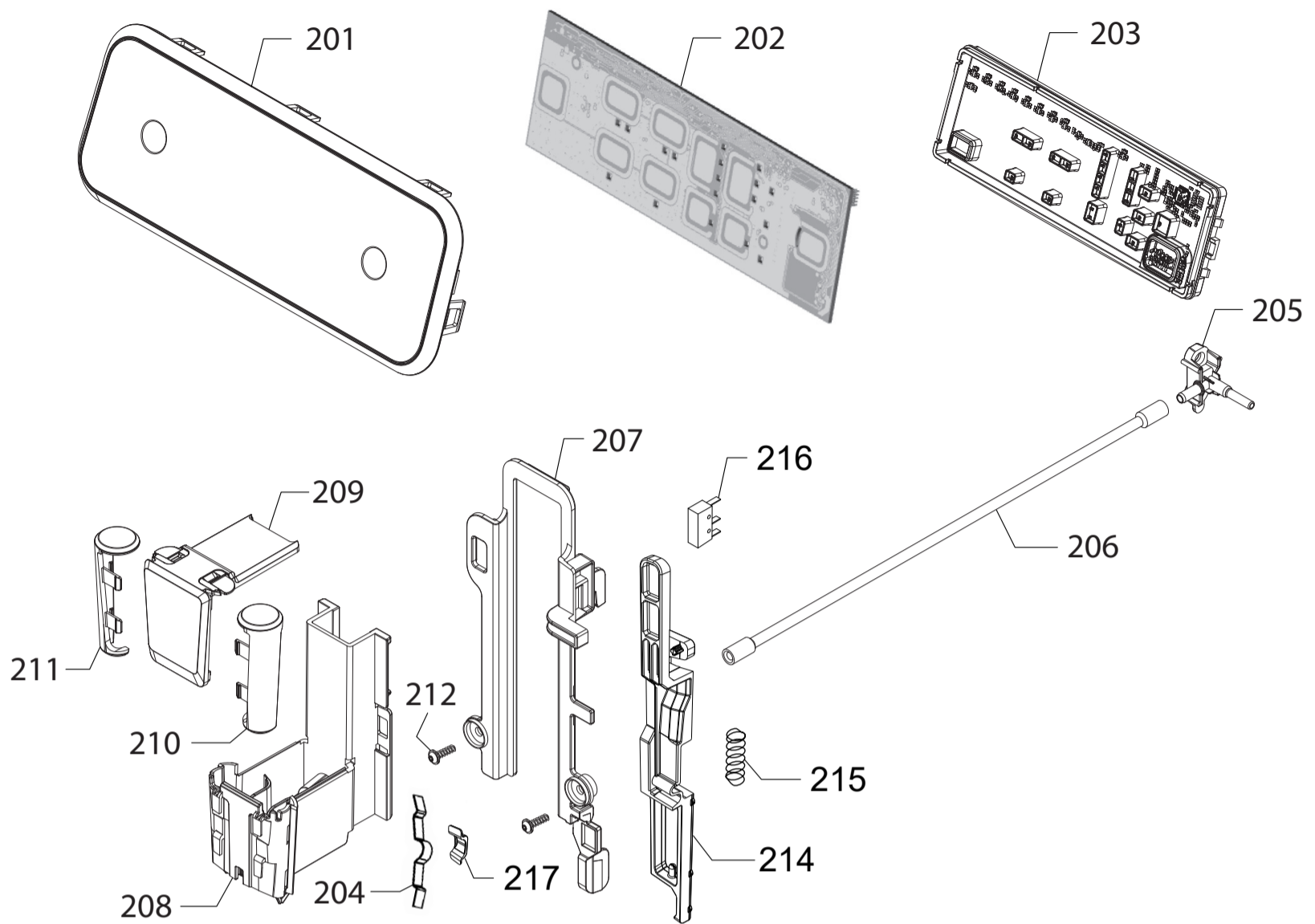


**PHILIPS** EP1000/00  
EP1200/00/03/09

**CE** Cod. 882870900870  
Cod. 882871000010 - 0300 - 9160 - 3470

POS	12NC	DESCRIPTION	NOTE	POS	12NC	DESCRIPTION	NOTE
101	421945006761	WATER TANK CONNECTOR V2 OMN	⚠				
102	421944086411	COFFEE SPOON OMN					
103	421946017941	KLUBERLUB NH1 11-222 TUBE 5GR.					
104	421940402711	STICKER FOR WATER HARDNESS TEST					
105	421944085661	CENTRAL STRUCTURE OMN ASSY					
106	421945014111	BLK CASING BOTTOM V2 OMP/B ASSY					
107	421324705256	FOOT					
108	421946043171	BLK POWER CABLE 3X0.75 SCHUKO L=1000	⚠ only for EP1200/03				
	421945005511	BLK POWER CABLE 3X0.75 CH L=1000	⚠ only for EP1200/09				
	421945022151	BLK POWER CABLE 3X0.75 SCH L=1000	⚠ EP1000/00 - EP1200/00				
109	421945014081	KIT MAINBOARD+SW OMN KR	⚠ only for EP1200/03				
	421945007951	KIT MAINBOARD+SW OMN 230V	⚠				
110	-	WATER TANK OMN ASSY	not available - see pos.135				
111	421944085351	WATER TANK HANDLE OMN/P-B					
112	421944082861	BLK DRIP TRAY OMN/B					
113	421944085301	BLK DUMP BOX COVER OMN/B-P					
114	421944082851	BLK GRATE FOR DRIP TRAY OMN/B					
115	421944088751	FLOATER OMN/B					
116	421944082881	BLK DUMP BOX OMN/B					
117	421944082821	TR/GRY BEAN COF.CONT.LID W/SEAL OMN/B					
118	421944084601	NAT/GRY GROUND COF.HOPPER LID OMN/B					
119	421944085401	GRINDER SETTING KNOB OMN					
120	421945015271	M/BLK UPPER CASING COVER V2 OMN/B					
121	421944082982	LATERAL DOOR OMN					
122	421944082991	RIGHT PANEL OMN					
123	421944083041	BACK PANEL OMN					
124	421944082921	BLK LEFT SIDE COVER OMN/B					
125	421944085311	BLK FRONT UPPER CASING COVER OMN/P					
127	421944040061	BLK LID FOR WATER CONT.VALVE V2 P0049					
128	421944040781	BLK GASKET FOR WATER CONT.VALVE V2 P0049					
129	421944040071	BLK WATER CONT.VALVE INSERT V2 P0049					
130	421941157841	SS SPRING FOR WATER CONTAIN. VALVE P0049					
131	996530029115	EXTERNAL FILTER FOR WATER CONTAINER ASSY					
132	421940212391	SCREW TCB TORX 3,5X30 PLAST.ZN-B					
133	421941306721	CPU+SW WATER LEVEL SENSOR V3 ASSY	⚠				
134	421946045822	3 POLES CONN.WATER LEV.CAP.V2 OMN UL AS	⚠				
135	421944085741	WATER TANK OMN ASSY					
138	421944088741	BLK CONNECT.CAP FOR LG OMN/B					

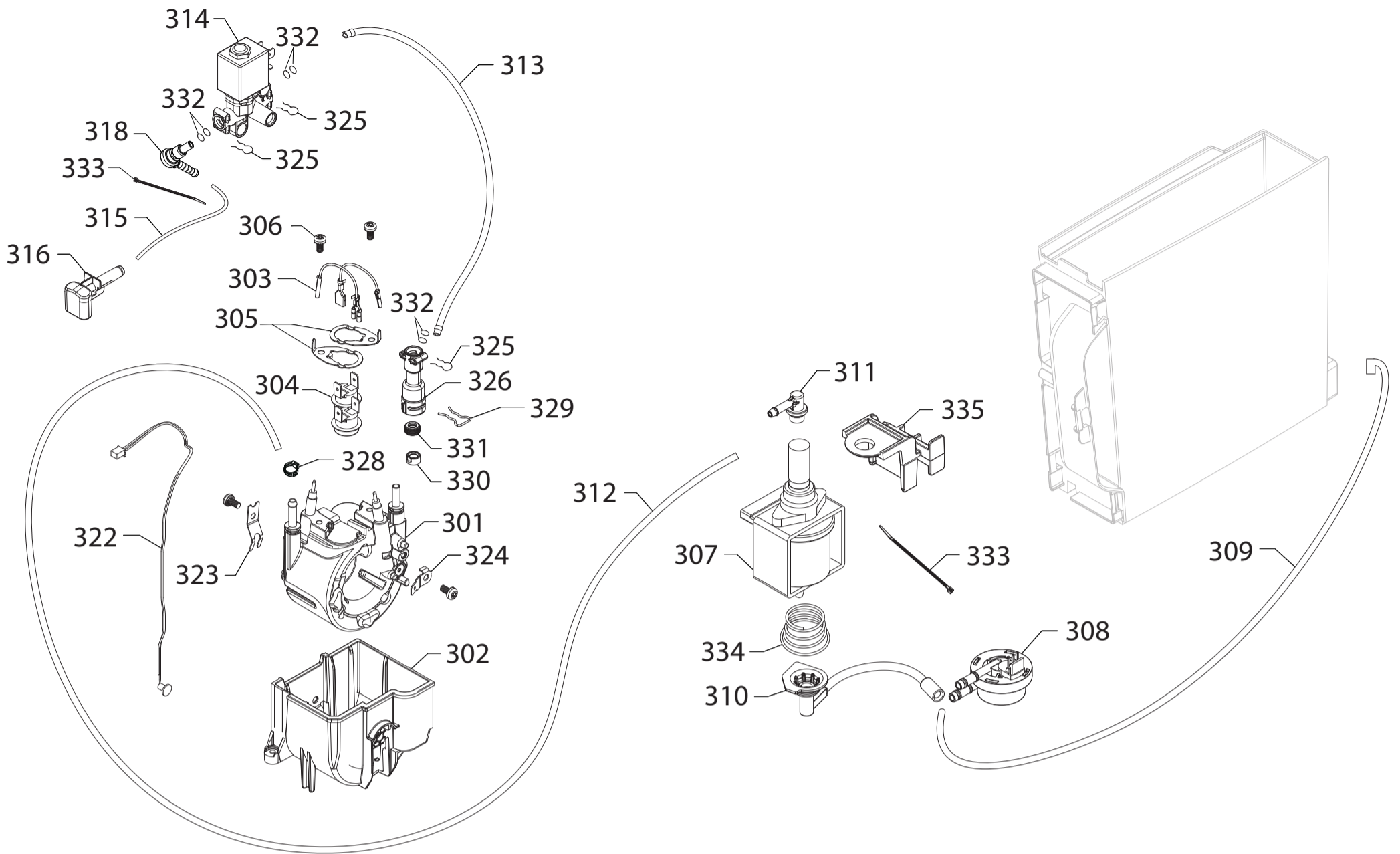
**IMPORTANT REPAIR INSTRUCTIONS: Only use genuine Philips spare parts to replace critical components. The warranty of your Philips product is void if you do not use genuine Philips spare parts to repair critical components of your appliance. The critical components are indicated with a warning triangle ⚠ in the service exploded view and/or service manual.**



**PHILIPS** EP1000/00  
EP1200/00/03/09

**CE** Cod. 882870900870  
Cod. 882871000010 - 0300 - 9160 - 3470

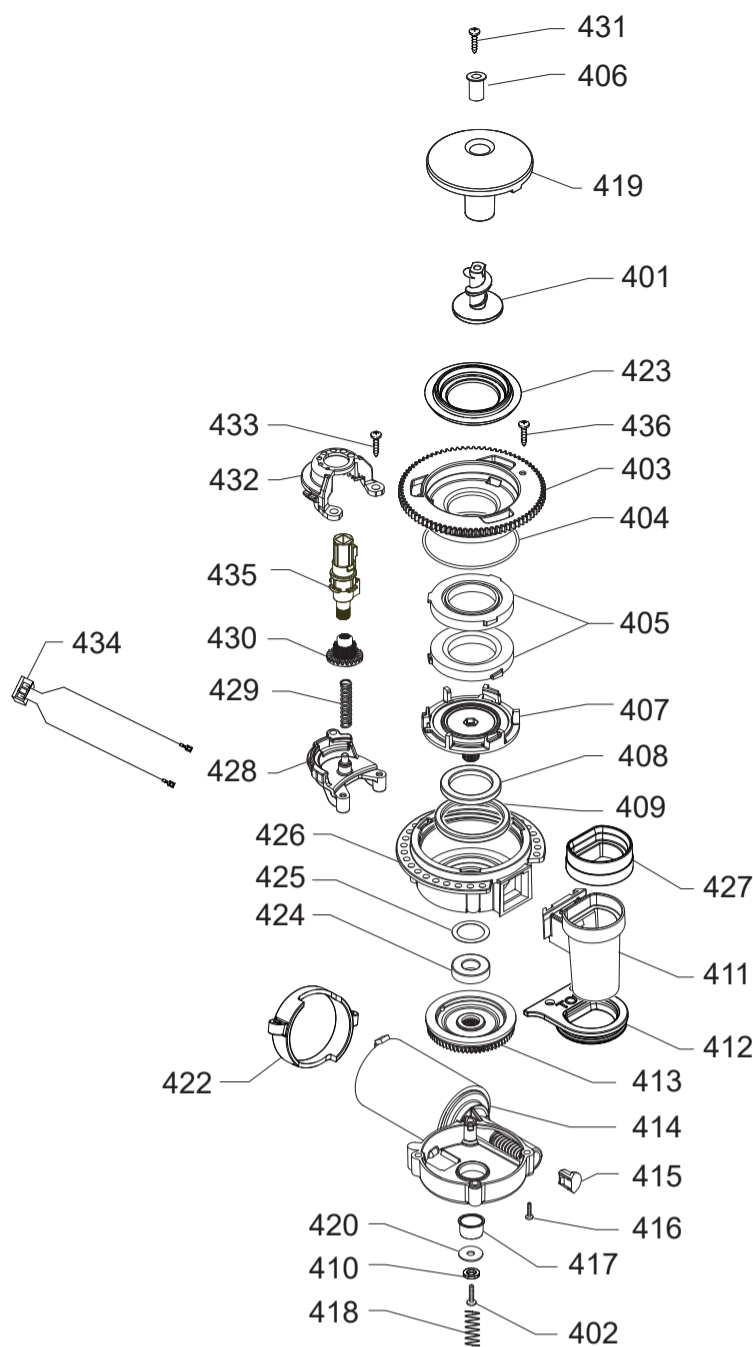
POS	12NC	DESCRIPTION	NOTE	POS	12NC	DESCRIPTION	NOTE
201	421944092821	BLK FRONT PANEL UI OMN/B0 S/SCR					
202	421945023131	UI+SW TEST SYS. ENTRY OMN					
	421945013721	UI+SW APP ENTRY OMN 1K KOR	⚠ only for EP1200/03				
203	421944091571	WHT REAR COVER UI OMN/B					
204	422224000542	SPOUT SPRING					
205	421944085411	BLK BREW UNIT COFFEE OUTLET CONN.OMN/B					
206	421945001461	SILICONE TUBE 4X6.5 L=245 MM					
207	421944088081	COF.DISPENS.SUPP.OMN/B					
208	421944083201	BLK COF.DISPENS.EXT.MOBILE PART OMN/B					
209	421944090431	BLK UPP.COV.COFF.DISP.S/SCR.OMN/B					
210	421944088691	CHROM.RIGHT SIDE INS.COF.DISP.OMN/B					
211	421944088701	CHROM.LEFT SIDE INS.COF.DISP.OMN/B					
212	421940220061	SCREW TCBR TORX 10 3,5X12 PLAST.ZN-N					
214	421944085422	DUMP BOX MISCROSWITCH LEVER V2 OMN					
215	421944092961	MICROSWITCH LEVER SPRING OMN					
216	421946043193	CONN.MICROSW.DOOR OMN UL ASSY V3	⚠				
217	421945006071	WHT COFFEE DISPENSER SLIDER OMN/B					



**PHILIPS** EP1000/00  
EP1200/00/03/09

**CE** Cod. 882870900870  
Cod. 882871000010 - 0300 - 9160 - 3470

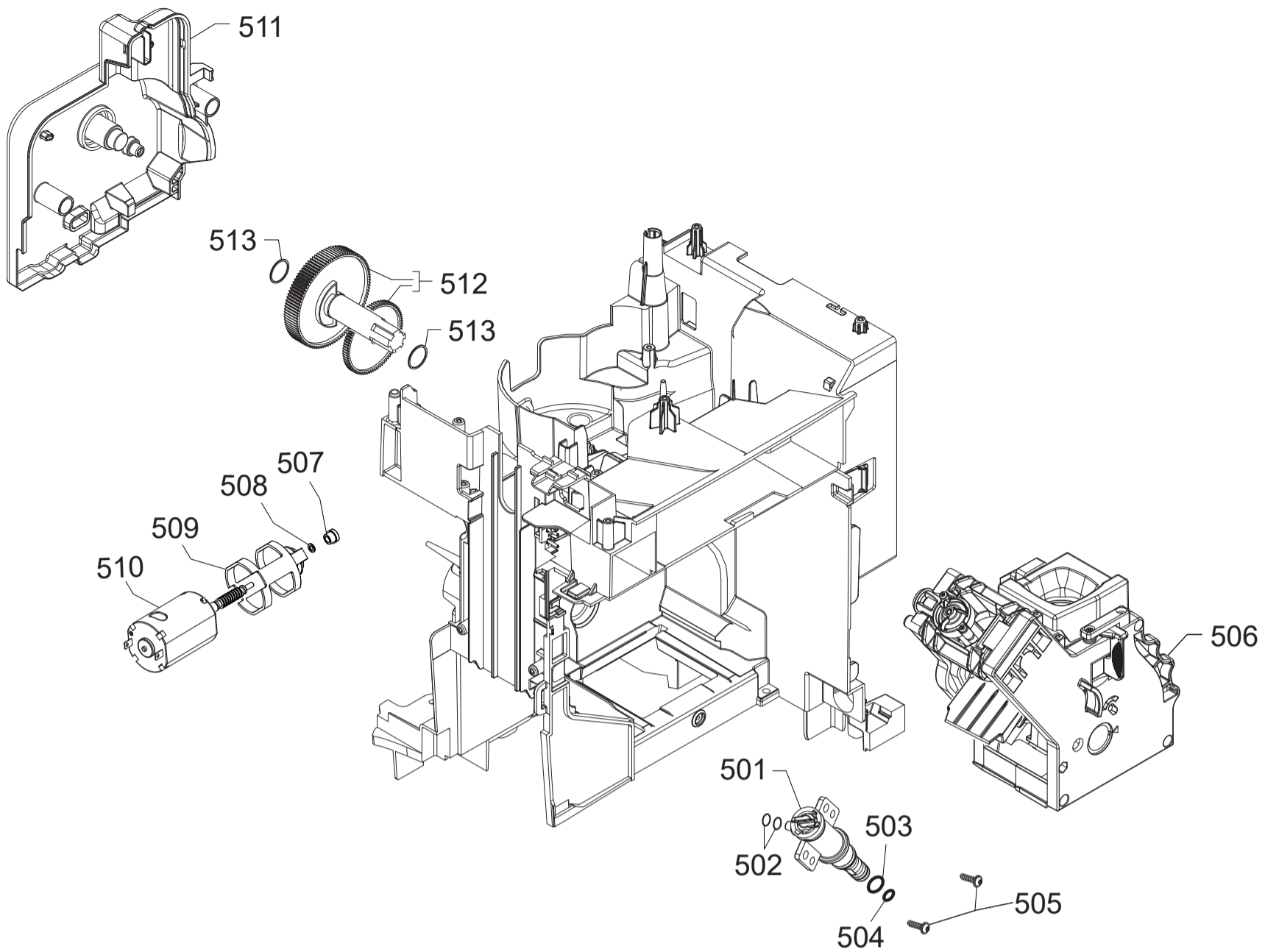
POS	12NC	DESCRIPTION	NOTE	POS	12NC	DESCRIPTION	NOTE
301	421944082941	THERMOBLOCK OMN ASSY	⚠				
302	421944082951	THERMOBLOCK SUPP.OMN					
303	421946043141	THERMOBLOCK WIRE ASSY	⚠				
304	262279998757	THERMOSTAT OPEN/CLOSE 190/-35DEGC B	⚠				
305	422224002162	FUSE CLAMP	⚠				
306	421940212071	SCREW TCB TORX 20 M4X8 AUTOFORMING ZN-B					
307	421941305991	ULKA PUMP EP5FMGW 230V-50HZ	⚠				
	421940219771	ULKA PUMP EP5/S GW 220V-60HZ	⚠ only for EP1200/03				
308	421940207701	TURBINE D=1,2 932-9521/B ASSY	⚠				
309	422224708411	FM INLET HOSE					
310	422224708391	FM OUTLET HOSE					
311	421944090251	BLACK 90°CONNECTOR PUMP OUTLET PHI2200					
312	421944065471	PINK 5X8,9 SILICONE TUBE L=140 MM					
313	421944091581	TEFLON TUBE 2X4 L=200MM+2BUSH 7/7 ASSY					
314	421944082931	EV OMN ASSY	⚠				
315	421945001911	SILICON TUBE 5X8 70SH L=470MM					
316	421945002121	DISCHARGE CONNECTOR OMN/T					
318	421944059391	WHT CONNECT.FAST LOCK 90 SILIC.TUBE PPS					
322	421946046921	NTC WIRE ASSY	⚠				
323	422224002171	NTC CLAMP	⚠				
324	422224006891	EARTH TERMINAL	⚠				
325	421941058941	SS FORK FOR TUBE D.4	⚠				
326	422224777123	TB INLET CONNECTOR					
328	421940221091	OETIKER EAR CLAMP 16707295 009.6-505					
329	422224002241	FORK FOR D=8MM					
330	422224777092	THERMOBLOCK SPACER, WHITE					
331	422224708381	THERMOBLOCK SEAL					
332	996530013564	OR 2015 SILICONE PTFE/FDA					
333	996530059138	SELF LOCK STRIP W=2.5 L=98					
	421940213981	SELF LOCK STRIP W=2.6 L=200	only for EP1200/03				
334	422224002181	PUMP SPRING					
335	421945020921	PUMP RUBBER SUPPORT OMN					



**PHILIPS** EP1000/00  
EP1200/00/03/09

**CE** Cod. 882870900870  
Cod. 882871000010 - 0300 - 9160 - 3470

POS	12NC	DESCRIPTION	NOTE	POS	12NC	DESCRIPTION	NOTE
401	421944032692	GRIVORY INCREASE SCREW GRINDER V2					
402	996530012928	SCREW TCB TORX 20 M4X30 ZN-B					
403	421941094152	BLK COF.GRINDER UPPER GRINDER SUPPORT V2					
404	996530013577	NBR FDA OR METRIC 0530-15					
405	996530016342	BAKED CLAY GRINDER 48X28					
406	421944079881	BRASS BUSH BEAN CONT.FINGER PROTEC.FTR/B					
407	996530017952	LOWER GRINDER SUPPORT COFFEEGRINDER					
408	996530011183	AXIAL BEARING EKKO 342.35252					
409	996530013597	FELT RING 45,4X39,4X4					
410	996530012341	GALV.WASHER UNI 8842 A4					
411	421941230122	BLK GROUND COFF.OUTLET CONV. V2 ASSY					
412	421944060561	GRY GROUND COF.CONT.LOWER SEAL V2 SMART1					
413	421945006091	GRY GEAR SX Z=38 FOR GRINDER MOTION					
414	421944049151	MOTOR COFFEEGRINDER V3.2 230V ASSY					
415	996530018139	CAP FOR WORM SCREW MC/V3 CENTRING	⚠				
416	996530012992	SCREW TCB TORX 3,5X30 PLAST.ZN-B					
417	996530001389	INSULATOR BUSH FOR GRINDER MOTOR P124					
418	996530000376	COFFEE GRINDER SUPPORT SPRING P124					
419	421945024711	BLK GRINDER FINGER PROTECT.V2 OMN					
420	996530012375	GALVAN.FLAT WASH.DI=4,3 DE=14 SP=1,5					
422	421941142172	BLK COFFEEGRINDER MOTOR SUPP.P124 V2					
423	421941085872	COFFEE GRINDER SEAL P119 GRY 7035					
424	996530011182	RADIAL BEARING 61900.2RS1					
425	996530012374	CRINKLE WASHER 21,8X15,8X0,2					
426	421941082802	BLK UPPER BODY WITH COFFEE GROUND OUT.V2					
427	996530015958	GROUND COFFEE CONT.SEAL UPPER SMART1					
428	996530001314	LOWER GEAR SUPPORT COFFEEGRINDER P124					
429	996530001308	GRINDER REGULATION SPRING P124					
430	996530001907	COFFEE GRINDING ADJUSTMENT GEAR P0049					
431	421940222321	SCREW TCB TORX B 3,5X9,5 SHEET BLK ZINC					
432	996530001296	UPPER GEAR SUPPORT COFFEEGRINDER P124					
433	996530013165	SCREW TCB TORX 10 3,5X16 PLAST.ZN-B					
434	421946043182	2POLES CONN.MICROSW.DOOR OMN UL ASSY					
435	421944052341	BLW BEAN COFFEE GRINDER INSERT V2 SMR					
436	421940213291	SCREW TCB TORX 10 3X8 PLAST.ZN-B					
	421945023911	GEN.MOT.COF.GRIND.DOMEL OMP/B 230V ASSY	⚠				



**PHILIPS**

EP1000/00  
EP1200/00/03/09

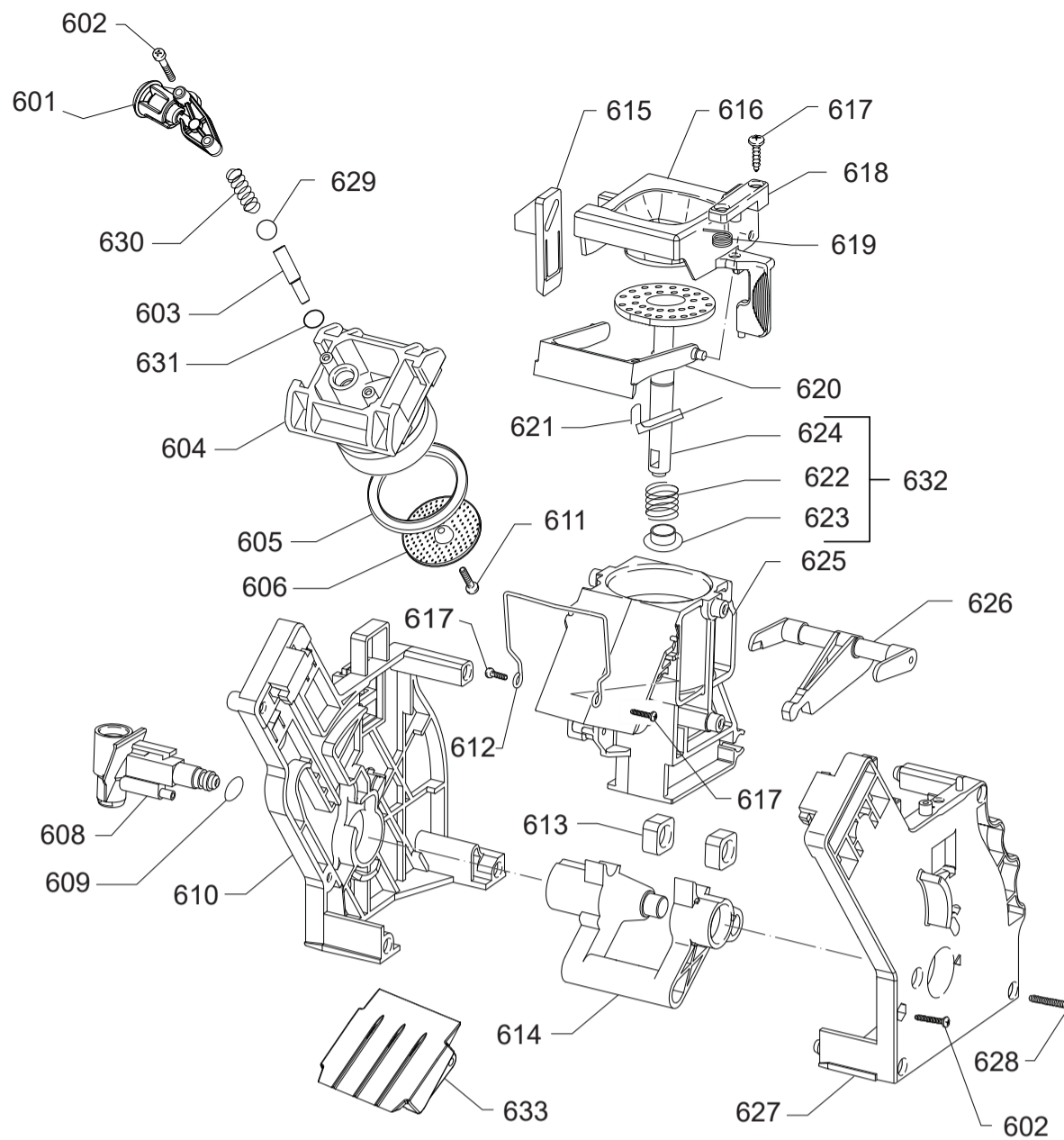


Cod. 882870900870  
Cod. 882871000010 - 0300 - 9160 - 3470

POS	12NC	DESCRIPTION	NOTE	POS	12NC	DESCRIPTION	NOTE
501	421944093281	BLK PIN FOR BOILER VALV.4BAR V4					
502	996530013564	OR 2015 SILICONE PTFE/FDA					
503	996530059399	OR ORM 0090-20 SILICONE					
504	996530059419	OR ORM 0050-20 IN SILICONE					
505	996530070321	SCREW TCBR TORX 10 3,5X12 PLAST.SS					
506	421944093342	BLK/YLW BREW UNIT 8GR 5BAR V2 OMN	only for EP1200/03/09				
	421945025201	BLK/YLW BREW UNIT 8GR 5BAR OMN 2ND V2					
507	996530049898	BRONZE SINTERED BUSH FOR MOTOR RATIOMOT.					
508	996530017424	BAKELIZZATE WASHER D=5,5					
509	996530049896	ANTIVIBRATION FOR MOTOR					
510	996530002796	MOTOR FOR RATIOMOTOR P124 ASSY.	⚠				
511	421944082961	BREW UNIT MOTOR COVER OMN					
512	996530009913	SPARES KIT GEARS FOR RATIOMOTOR V2	⚠				
513	996530050569	MYLAR WASHER FOR RATIOMOTOR					

**PHILIPS**

**PHILIPS EP1000/1200 SERIES**


**PHILIPS**

 EP1000/00  
 EP1200/00/03/09

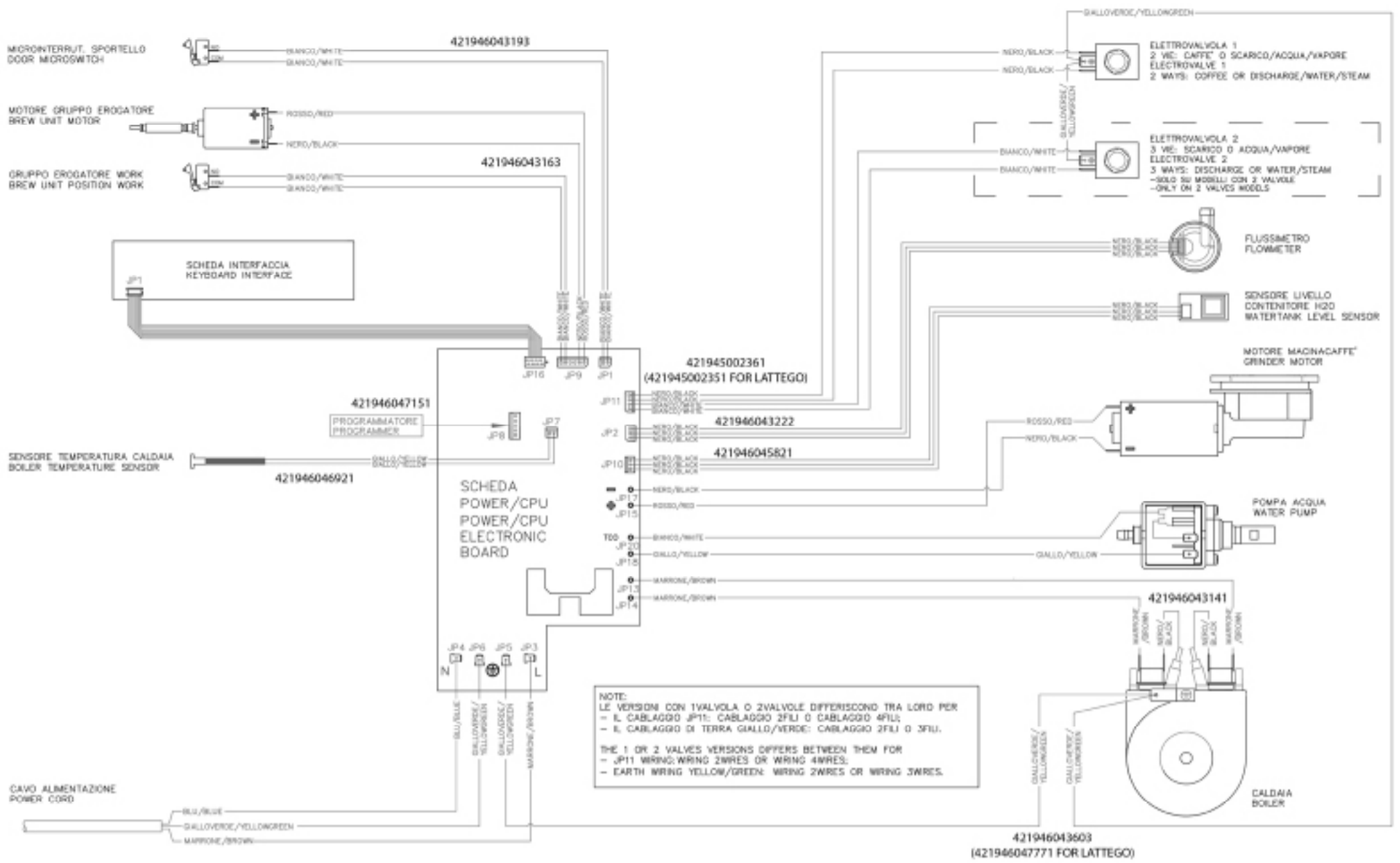

Cod. 882870900870

Cod. 882871000010 - 0300 - 9160 - 3470

POS	12NC	DESCRIPTION	NOTE	POS	12NC	DESCRIPTION	NOTE
601	421944065222	BLK BREW UNIT COF.OUT.SLEEVE V2 SMR ASSY					
602	996530007838	SCREW TCB TORX 10 3X25 PLAST.SS					
603	421944079291	BLK BREW UN.COUNTER PISTON TUBE V2 S0053					
604	421944079991	BLK BREW UNIT 8GR.COUNTER PISTON V2 P124					
605	996530059406	OR ORM 0320-40 SILICONE PTFE/FDA					
606	996530050709	PERCOLATOR DE=35,8 ELFO	only for EP1200/09				
	421945025331	PERCOLATOR DE=35,8					
608	421945002572	BREW NEU. UN.WATER INLET SLEEVE V4					
609	421940207151	OR 2025 NBR FDA					
610	996530050832	BLACK BREW UNIT REAR PLATE SMART	only for EP1200/03/09				
	421944091731	BLK BREW UNIT REAR PLATE V2 SMR					
611	996530007951	SCREW TSP TORX 10 3X10 PLAST.SS					
612	421944025811	SS BREW UNIT SPRING H=49 PK					
613	996530050539	BLACK BREW UNIT DRILLED BLOCK					
614	421944091781	YLW BREW UNIT ELBOW SHAFT M5000 V2					
	421944079201	YLW BREW UNIT ELBOW SHAFT V2 M5000	only for EP1200/03/09				
615	421944091791	YLW BREW UNIT COUPLING PLATE V3 SMART					
	421944046932	YLW BREW UNIT COUPLING PLATE V3 SMART	only for EP1200/03/09				
616	421945014151	BLK BREW UNIT V5 SMART1 HOPPER DOSER					
	421941095982	BLK BREW UNIT V3 SMART1 HOPPER DOSER	only for EP1200/03/09				
617	996530013148	SCREW TCB TORX 10 3,5X14 PLAST.SS					
618	421941065051	BLK BREWUNIT HOPPER BLOCKING PLATE SMART					
619	996530050838	SS HOPPER SPRING FOR BREW UNIT SMART					
620	421944079261	BLK BREW UNIT SCRAPER V2 M5000					
621	996530050455	SS SCRAPER SPRING FOR BREW UNIT					
622	996530050627	SS.8GR.BREW UNIT PISTON SPRING					
623	996530050618	WHITE 8GR.-12GR.BREW UNIT PISTON BUSH					
624	421944079491	GRY BREW UNIT INTEGR.PISTON 8GR.V4 ASSY					
625	421945013822	BLK COF.CONTAIN.BREW UNIT V5 ASSY					
	421944079431	BLK COF.CONTAIN.BREW UNIT V4 M5000 ASSY	only for EP1200/03/09				
626	421944091761	BLK BREW UNIT 8GR.CONNECTING ROD V2					
	996530001452	BLACK CONNECTING ROD BREW UNIT 8GR.	only for EP1200/03/09				
627	421944091711	BLK BREW UNIT FRONT PLATE S/SCR. V2					
	996530003228	BLACK BREW UNIT FRONT PLATE S/SCR.SMART	only for EP1200/03/09				
628	996530007953	SCREW TCB TORX 10 3,5X20 PLAST.SS					
629	421944081491	BREW UNIT VALVE FTR/B					
630	421945001491	SS.CONICAL SPRING 6BAR					
631	996530059489	OR ORM 0060-10 TERMOIL					
632	421944065811	GRY BREW UNIT 8GR.INT.PISTON GEN.V3 ASSY					
633	421944079341	BLK BREW UNIT CONVEYOR SLIDE L=56,3 V2					
	421945019401	BLK BREW UNIT CONVEYOR SLIDE L=76,8	only for EP1200/03/09				

**PHILIPS**
**PHILIPS EP1000/1200 SERIES**

TABLE 6/6



NOTE:  
 LE VERSIONI CON 1VALVOLA O 2VALVOLE DIFFERISCONO TRA LORO PER  
 - IL CABLAGGIO JP11: CABLAGGIO 2FILI O CABLAGGIO 4FILI;  
 - IL CABLAGGIO DI TERRA GIALLO/VERDE: CABLAGGIO 2FILI O 3FILI.  
 THE 1 OR 2 VALVES VERSIONS DIFFERS BETWEEN THEM FOR  
 - JP11 WIRING: WIRING 2WRES OR WIRING 4WRES.  
 - EARTH WIRING YELLOW/GREEN: WIRING 2WRES OR WIRING 3WRES.

**PHILIPS** EP1000/00  
 EP1200/00/03/09

**CE** Cod. 882870900870  
 Cod. 882871000010 - 0300 - 9160 - 3470

POS	12NC	DESCRIPTION	NOTE	POS	12NC	DESCRIPTION	NOTE
	421946045821	3POLES CONN. WATER LEV. CAP. OMN UL					
	421946043222	3POLES CONN. FLOWMETER OMN UL					
	421946043141	1 WIRE CABLE BLACK BOILER OMN					
	421946043163	MICRO+MOTOR BREWUN. V2 OMN UL ASSY.					
	421946043193	CONN.MICROSW.DOOR V3 OMN UL ASSY.					
	421946043603	2 WIRES CABLE BOILER/VALVE EARTH OMN V3					
	421945002361	4P.CONN.1ELECTROV. OMN UL ASSY					
	421946047771	3WIRES CABLE BOILER/VAL./VAL. EARTH OMN					
	421945002351	4P.CONN.2ELECTROV. OMN UL ASSY					
	421946046921	TEMPERATURE SENSOR NTC OMN					
	421946047151	WIRING SERPROG OMN PROGRAMMER ASSY.					

