

PHILIPS

EP1220/00 EP2020/10 EP2030/10
 EP2220/10 EP2021/40 EP2221/40
 EP2224/40 EP3221/40



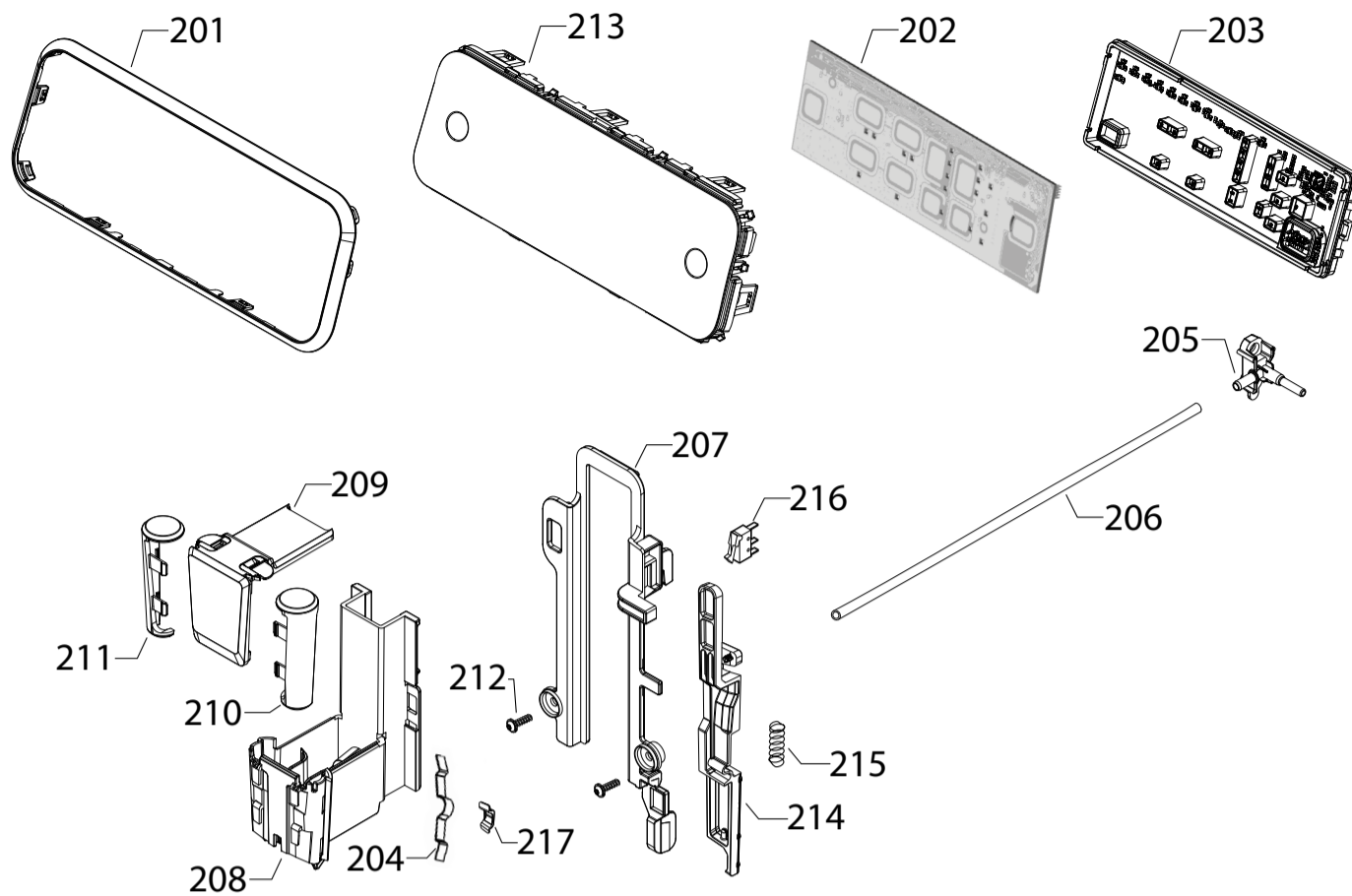
Cod. 882870800010-0300-0870 882870510870 882870210870
 Cod. 882871110010-0300 882870340870 882871240010-0300
 Cod. 882872240010-0300-0870 882871540010-0300

POS	12NC	DESCRIPTION	NOTE	POS	12NC	DESCRIPTION	NOTE
101	421945003211	WATER LEVEL SENSOR COVER OMN		132	421940212391	SCREW TCB TORX 3,5X30 PLAST.ZN-B	
102	421944086411	COFFEE SPOON OMN		133	421941306721	CPU+SW WATER LEVEL SENSOR V3 ASSY.	⚠
103	421946017941	KLUBERLUB NH1 11-222 TUBE 5GR.		134	421946045821	3 POLES CONN.WATER LEV.CAP.OMN UL ASSY	⚠
104	421940402711	STICKER FOR WATER HARDNESS TEST		135	421944085741	WATER TANK OMN ASSY	
105	421944085661	CENTRAL STRUCTURE OMN ASSY		136	421944083001	D/BLK WATER CONT.HAND.COVS.OMN/H-T	EP2021-2221-3221
106	421944085671	BASE PLATE OMN ASSY			421944092421	C/GREY WATER CONT.HANDL.COVS.OMN/H-T	EP2224
107	421324705256	FOOT			421944092431	Z/BROWN WATER CONT.HANDL.COVS.OMN/H-T	EP2035
108	421946043171	BLK POWER CABLE 3X0.75 SCHUKO L=1000	⚠	137	421944085431	FRONT PANEL INSERT OMN	EP1220-2020-2220-2030
109	421945007951	KIT MAINBOARD+SW OMN 230V	⚠		421944082891	BLK INS.FRONT UPPER CASING COVER OMN/B	EP2021-2221-3221
110	-	WATER TANK OMN ASSY	not available		421944092391	CAS.NS.FRONT UPP.CAS.COVS.OMN/B GREY	EP2224
111	421944085351	WATER TANK HANDLE OMN/P-B	EP1220-2020-2220-2030		421944092401	ZINK BROWN INS.FR.UPP.CAS.COVS.OMN/B	EP2035
	421944083011	WATER TANK HANDLE OMN/H-T					
		EP2021-2221-2224-3221-2035					
112	421944082861	BLK DRIP TRAY OMN/B					
113	421944085301	BLK DUMP BOX COVER OMN/B-P	EP1220-2020-2220-2030				
	421944082871	BLK DUMP BOX COVER OMN/H-T	EP2021-2221-3221				
	421944092661	CAS.DUMP.BOX.COVS.OMN/H-T GREY	EP2224				
	421944092671	ZINK BROWN DUMP BOX COV.OMN/H-T	EP2035				
114	421944082851	BLK GRATE FOR DRIP TRAY OMN/B					
		EP2020-2220-1220-2030-2230-2224					
	421944083121	BA/SS GRATE FOR DRIP TRAY OMN/B					
		EP2021-2221-2224-3221-2035					
115	421944088751	FLOATER OMN/B					
116	421944082881	BLK DUMP BOX OMN/B					
117	421944082821	TR/GRY BEAN COF.CONT.LID W/SEAL OMN/B					
118	421944084601	NAT/GRY GROUND COF.HOPPER LID OMN/B					
119	421944085401	GRINDER SETTING KNOB OMN					
120	421944082831	M/BLK UPPER CASING COVER OMN/B					
121	421944082981	LATERAL DOOR OMN					
122	421944082991	RIGHT PANEL OMN					
123	421944083041	BACK PANEL OMN					
124	421944082921	BLK LEFT SIDE COVER OMN/B					
125	421944085311	BLK FRONT UPPER CASING COVER OMN/P	EP1220-2020-2220-2030				
	421944082901	BLK FRONT UPPER CASING COVER OMN/H-T	EP2221-3221-2224-2035				
126	421944085341	WATER TANK CONNECTOR OMN					
127	421944040061	BLK LID FOR WATER CONT.VALVE V2 P0049					
128	421944040781	BLK GASKET FOR WATER CONT.VALVE V2 P0049					
129	421944040071	BLK WATER CONT.VALVE INSERT V2 P0049					
130	421941157841	SS SPRING FOR WATER CONTAIN. VALVE P0049					
131	996530029115	WHT WATER CONTAINER EXT.FILTER ASSY					

IMPORTANT REPAIR INSTRUCTIONS: Only use genuine Philips spare parts to replace critical components.
 The warranty of your Philips product is void if you do not use genuine Philips spare parts to repair critical components of your appliance.
 The critical components are indicated with a warning triangle ⚠ in the service exploded view and/or service manual.

PHILIPS

PHILIPS EP CMF SERIES



PHILIPS

EP1220/00 EP2020/10 EP2030/10
 EP2220/10 EP2021/40 EP2221/40
 EP2224/40 EP3221/40

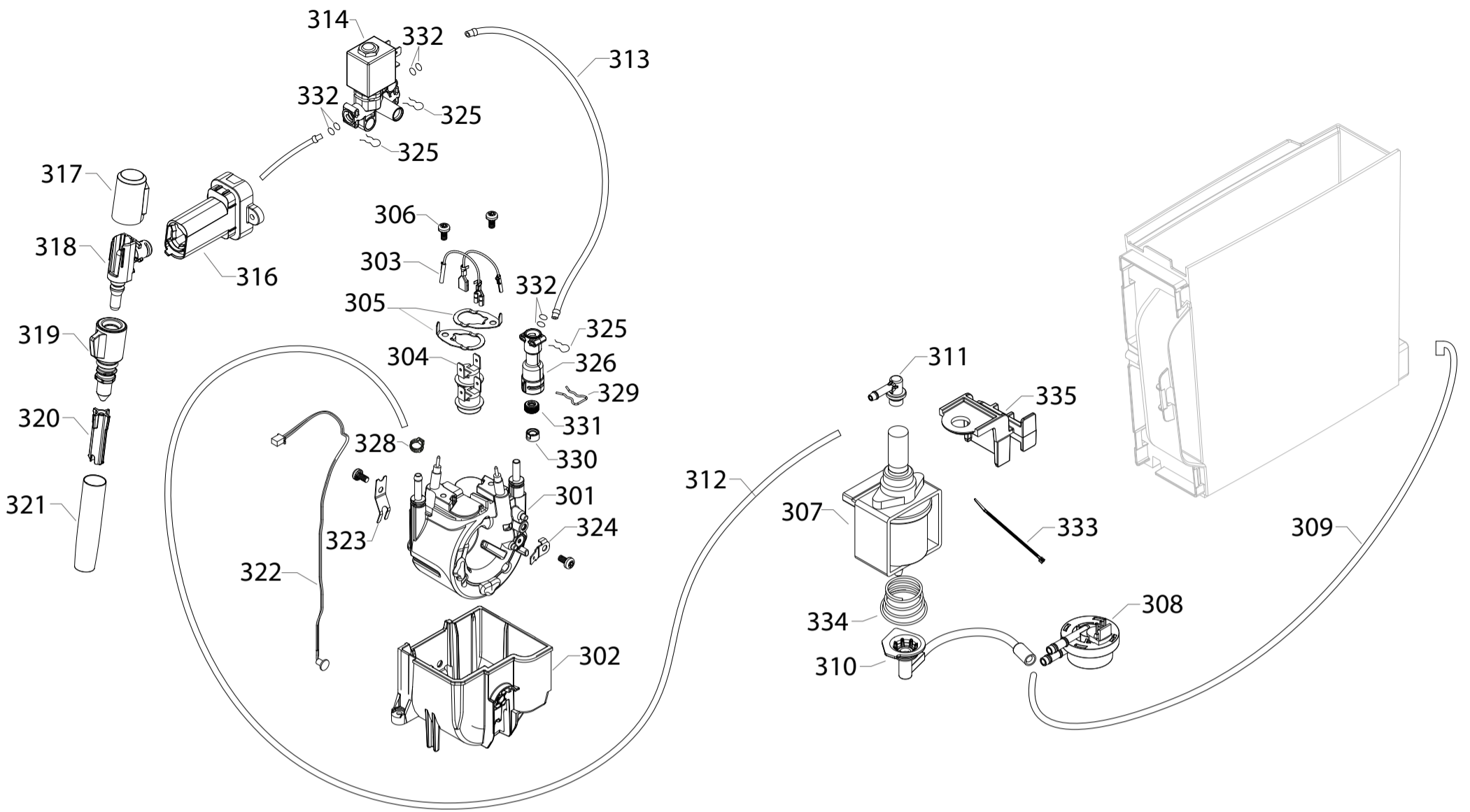


Cod. 882870800010-0300-0870 882870510870 882870210870
 Cod. 882871110010-0300 882870340870 882871240010-0300
 Cod. 882872240010-0300-0870 882871540010-0300

POS	12NC	DESCRIPTION	NOTE	POS	12NC	DESCRIPTION	NOTE
201	421944083161	CHR.UI FRAME OMN/T					
202	421941311861	UI+SW TEST ENTRY OMN	⚠				
		EP1220-2020-2030-2035-2220-2221-2224					
	421941311901	UI+SW TEST BASIC OMN	⚠ EP3221				
203	421944091571	WHT REAR COVER UI OMN/B					
		EP1220-2020-2030-2035-2220-2221-2224					
	421944091511	WHT REAR COVER UI OMN/T	EP3221				
204	422224000542	SPOUT SPRING					
205	421944085411	BLK BREW UNIT COFFEE OUTLET CONN.OMN/B					
206	421945001461	SILICONE TUBE 4X6.5 L=245 MM					
207	421944088081	COF.DISPENS.SUPP.OMN/B					
208	421944083201	BLK COF.DISPENS.EXT.MOBILE PART OMN/B					
209	421944090431	BLK UPP.COV.COFF.DISP.S/SCR.OMN/B					
210	421944088691	CHROM.RIGHT SIDE INS.COF.DISP.OMN/B					
211	421944088701	CHROM.LEFT SIDE INS.COF.DISP.OMN/B					
212	421940220061	SCREW TCBR TORX 10 3,5X12 PLAST.ZN-N					
213	421944092851	BLK FRONT PANEL UI OMN/M2 S/SCR.	EP2020-2220-2221-2224				
	421944092871	BLK FRONT PANEL UI OMN/T2a S/SCR.	EP3221				
	421944092831	BLK FRONT PANEL UI OMN/B1 S/SCR	EP1220				
	421944092861	BLK FRONT PANEL UI OMN/M3a S/SCR.	EP2030-2035				
214	421944085421	DUMP BOX MISCRSWITCH SUPP OMN					
215	421944092961	MICROSWITCH LEVER SPRING OMN					
216	421946043193	CONN.MICROSW.DOOR OMN UL ASSY V3	⚠				
217	421945006071	WHT COFFEE DISPENSER SLIDER OMN/B					

PHILIPS

PHILIPS EP CMF SERIES



PHILIPS

EP1220/00 EP2020/10 EP2030/10
 EP2220/10 EP2021/40 EP2221/40
 EP2224/40 EP3221/40

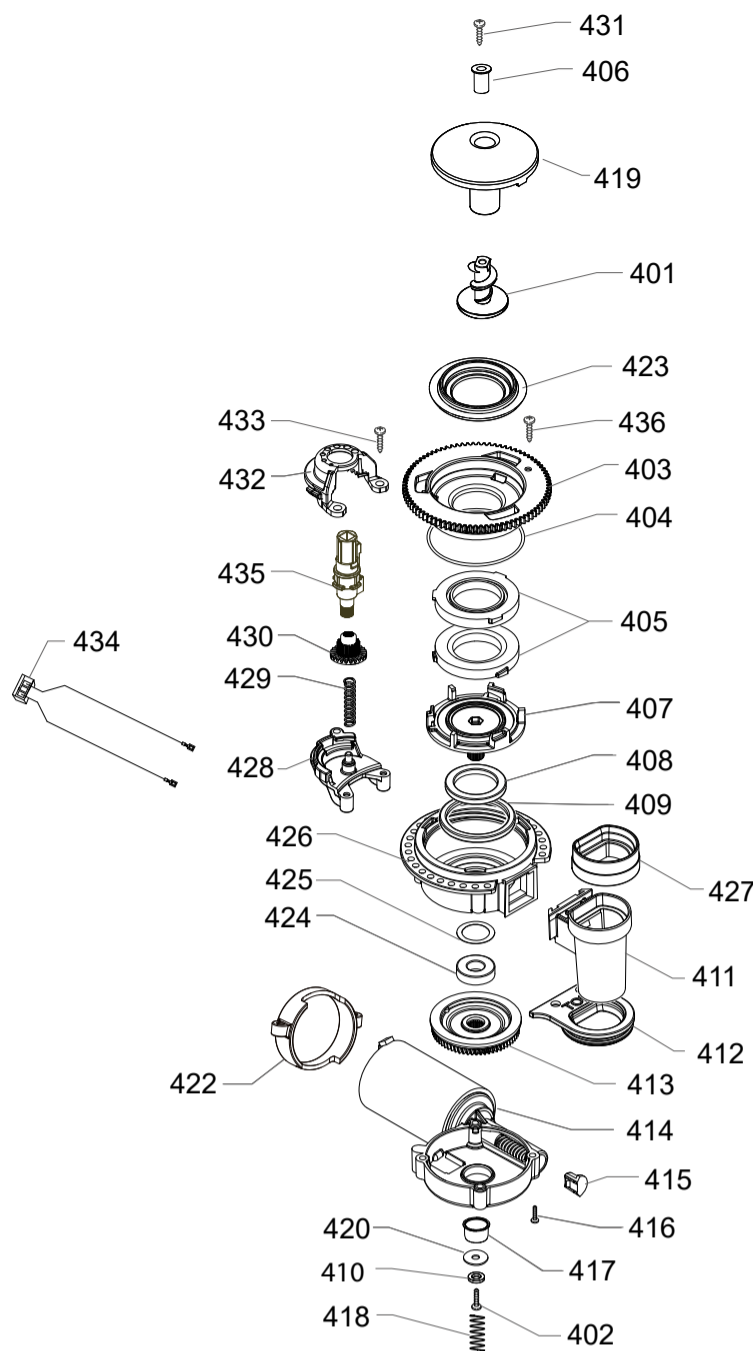


Cod. 882870800010-0300-0870 882870510870 882870210870
 Cod. 882871110010-0300 882870340870 882871240010-0300
 Cod. 882872240010-0300-0870 882871540010-0300

POS	12NC	DESCRIPTION	NOTE	POS	12NC	DESCRIPTION	NOTE
301	421944082941	THERMOBLOCK OMN ASSY	⚠				
302	421944082951	THERMOBLOCK SUPP.OMN					
303	421946043141	THERMOBLOCK WIRE ASSY	⚠				
304	262279998757	THERMOSTAT OPEN/CLOSE 190/-35DEGC B	⚠				
305	422224002162	FUSE CLAMP	⚠				
306	421940212071	SCREW TCB TORX 20 M4X8 AUTOFORMING ZN-B					
307	421941305991	ULKA PUMP EP5FMGW 230V-50HZ	⚠				
308	421940207701	TURBINE D=1,2 932-9521/B ASSY.	⚠				
309	422224708411	FM INLET HOSE					
310	422224708391	FM OUTLET HOSE					
311	421944090251	BLACK 90°CONNECTOR PUMP OUTLET PHI2200					
312	421944065471	PINK 5X8,9 SILICONE TUBE L=140 MM					
313	421944091581	TEFLON TUBE 2X4 L=200MM+2BUSH 7/7 ASSY					
314	421944082931	EV OMN ASSY	⚠				
315	421941128281	TEFLON TUBE 2X4 L=180 MM ASSY					
316	421944088561	BLK SUPPORT PANNARELLO OMN/H					
317	421944088601	BLK COVER PANNARELLO OMN/H					
318	421944085371	BLK CONNECT.PANNARELLO OMN/H					
319	421944088531	BLK/SIL.STEAM TUBE HANDGRIP OMN/H					
320	421944085391	BLK PANNARELLO INT.TUBE OMN/H					
321	421944086991	SS PANNARELLO COVER OMN/H					
322	421946046921	NTC WIRE ASSY	⚠				
323	422224002171	NTC CLAMP	⚠				
324	422224006891	EARTH TERMINAL	⚠				
325	421941058941	SS FORK FOR TUBE D.4					
326	422224777121	TB INLET CONNECTOR					
328	421940221091	OETIKER EAR CLAMP 16707295 009.6-505					
329	422224002241	FORK FOR D=8MM					
330	422224777091	TB SEAL SPACER					
331	422224708381	THERMOBLOCK SEAL					
332	996530013564	OR 2015 SILICONE PTFE/FDA					
333	421940213981	SELF LOCK STRIP W=2.6 L=200					
334	422224002181	PUMP SPRING					
335	421944088661	PUMP RUBBER SUPPORT OMN					

PHILIPS

PHILIPS EP CMF SERIES



PHILIPS

EP1220/00 EP2020/10 EP2030/10
 EP2220/10 EP2021/40 EP2221/40
 EP2224/40 EP3221/40

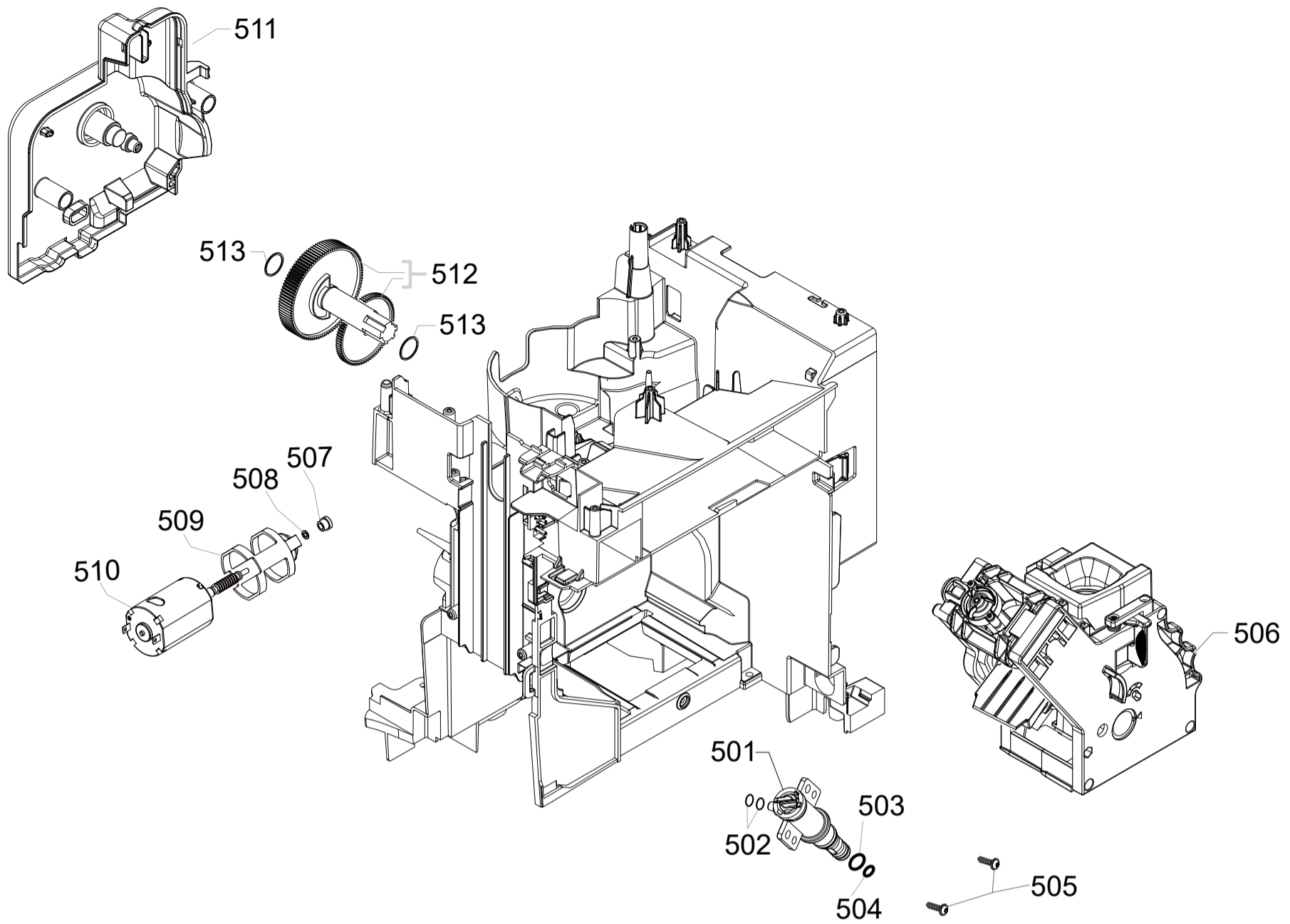


Cod. 882870800010-0300-0870 882870510870 882870210870
 Cod. 882871110010-0300 882870340870 882871240010-0300
 Cod. 882872240010-0300-0870 882871540010-0300

POS	12NC	DESCRIPTION	NOTE	POS	12NC	DESCRIPTION	NOTE
401	421944032691	GRIVORY INCREASE SCREW GRINDER					
402	996530012928	SCREW TCB TORX 20 M4X30 ZN-B					
403	421944053581	BLK COF.GRINDER UPPER GRINDER SUPPORT V3					
404	996530013577	OR ORM 0530-15 NBR FDA					
405	996530016342	BAKED CLAY GRINDER 48X28					
406	996530006412	BRASS BUSH BEAN CONT.FINGER PROTEC.P0057					
407	996530017952	BLK LOWER COFFEEGRINDER GRINDER SUPPORT					
408	996530011183	AXIAL BEARING EKKO 342.35252					
409	996530013597	FELT RING 45,4X39,4X4					
410	996530012341	GALV.WASHER UNI 8842 A4					
411	996530068049	BLK GROUND COFF.OUTLET CONVEYOR V4 ASSY.					
412	421944060561	GRY GROUND COF.CONT.LOWER SEAL V2 SMART1					
413	996530029609	GEAR SX Z=38 FOR GRINDER MOTION ASSY.					
414	421944049151	MOTOR COFFEEGRINDER V3.2 ASSY.	⚠				
415	996530018139	MC V3 MOD=1,25 WORM SCREW CENTRING CAP					
416	996530012992	SCREW TCB TORX 3,5X30 PLAST.ZN-B					
417	996530001389	INSULATOR BUSH FOR GRINDER MOTOR P124					
418	996530000376	STEEL COF.GRINDER SUPPORT SPRING P124					
419	421944090471	NO-WRIT.BEAN CONT.FING.PROTECT.FTR/B					
420	996530012375	STEEL FLAT WASHER DI=4,3 DE=14 SP=1,5					
421	421944075151	BLK GRIND.ADJUST.KNOB 10 POS. SMR					
422	996530000115	BLACK COFFEEGRINDER MOTOR SUPPORT P124					
423	421941085872	COFFEE GRINDER SEAL P119 GRY 7035					
424	996530011182	RADIAL BEARING 61900.2RS1					
425	996530012374	STEEL CRINKLE WASHER 21,8X14X0,25					
426	996530015258	BLK UPPER BODY WITH COFFEE GROUND OUTLET					
427	996530015958	BLK GROUND COFFEE CONT.UPPER SEAL SMART1					
428	996530001314	LOWER COFFEEGRINDER GEAR SUPPORT P124					
429	996530001308	COFFEEGRINDER REGULATION SPRING P124					
430	996530001907	COFFEE GRINDING ADJUSTMENT GEAR P0049					
431	996530061808	ZN-B TCB TORX 20 M4X16 ZN-B					
432	996530001296	UPPER COFFEEGRINDER GEAR SUPPORT P124					
433	996530013165	SCREW TCB TORX 10 3,5X16 PLAST.ZN-B					
434	996530073454	2POLES CONNET.COFFEEGRINDER MOTOR SMR UL					
435	421944052341	BLW BEAN COFFEE GRINDER INSERT V2 SMR					
436	996530068586	SCREW TCB TORX B 3,5X9,5 SCHEET NIK					
	421944092371	GEN.MOTOR COF.GRINDER OMN 230V ASSY	⚠				

PHILIPS

PHILIPS EP CMF SERIES



PHILIPS

EP1220/00 EP2020/10 EP2030/10
 EP2220/10 EP2021/40 EP2221/40
 EP2224/40 EP3221/40

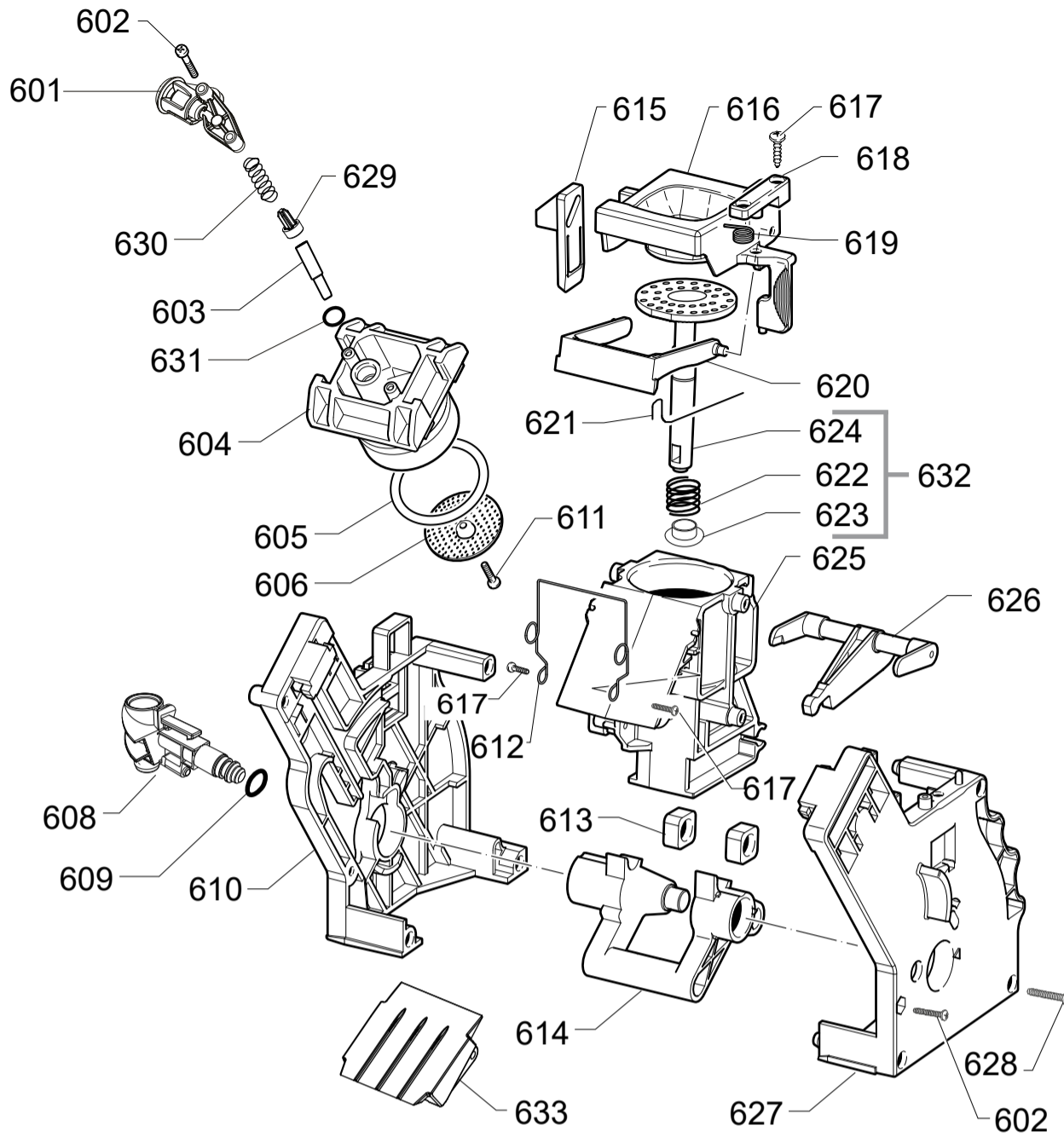


Cod. 882870800010-0300-0870 882870510870 882870210870
 Cod. 882871110010-0300 882870340870 882871240010-0300
 Cod. 882872240010-0300-0870 882871540010-0300

POS	12NC	DESCRIPTION	NOTE	POS	12NC	DESCRIPTION	NOTE
501	421946011491	BLK PIN FOR BOILER VALVE 4BAR ASSY.					
502	996530013564	OR 2015 SILICONE PTFE/FDA					
503	996530059399	OR ORM 0090-20 SILICONE					
504	996530059419	OR ORM 0050-20 IN SILICONE					
505	996530070321	SCREW TCBR TORX 10 3,5X12 PLAST.SS					
506	421944093341	BLK/YLW BREW UNIT 8GR 5BAR OMN					
507	996530049898	BRONZE SINTERED BUSH FOR MOTOR RATIOMOT.					
508	996530017424	BAKELIZZATE WASHER D=5,5					
509	996530049896	ANTIVIBRATION FOR MOTOR					
510	996530002796	MOTOR FOR RATIOMOTOR P124 ASSY.	⚠				
511	421944082961	BREW UNIT MOTOR COVER OMN					
512	996530009913	SPARES KIT GEARS FOR RATIOMOTOR V2	⚠				
513	996530050569	MYLAR WASHER FOR RATIOMOTOR					

PHILIPS

PHILIPS EP CMF SERIES



PHILIPS

EP1220/00 EP2020/10 EP2030/10
 EP2220/10 EP2021/40 EP2221/40
 EP2224/40 EP3221/40

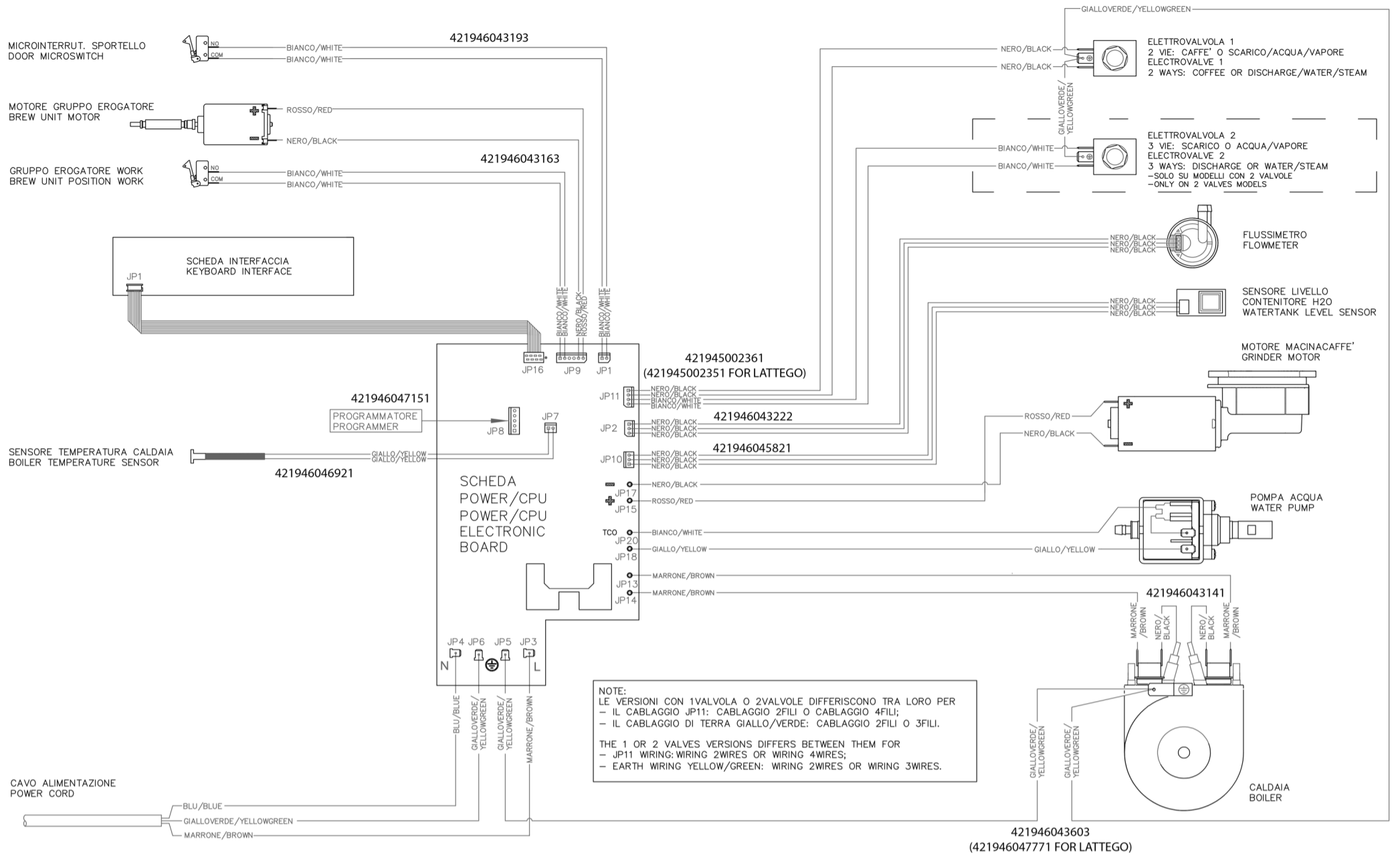


Cod. 882870800010-0300-0870 882870510870 882870210870
 Cod. 882871110010-0300 882870340870 882871240010-0300
 Cod. 882872240010-0300-0870 882871540010-0300

POS	12NC	DESCRIPTION	NOTE	POS	12NC	DESCRIPTION	NOTE
601	421944065221	BLK BREW UNIT COF.OUTLET SLEEVE SMR ASSY					
602	996530007838	SCREW TCB TORX 10 3X25 PLAST.SS					
603	996530005372	BLK COUNTER PISTON TUBE BREW UNIT S0053					
604	996530001046	BLACK COUNTER PISTON BREW UNIT 8GR.P124					
605	996530059406	OR ORM 0320-40 SILICONE PTFE/FDA					
606	996530050709	PERCOLATOR DE=35,8 ELFO					
608	421945002571	BREW NEU. UN.WATER INLET SLEEVE V4					
609	421940207151	OR 2025 NBR FDA					
610	996530050832	BLACK BREW UNIT REAR PLATE SMART					
611	996530007951	SCREW TSP TORX 10 3X10 PLAST.SS					
612	421944025811	SS BREW UNIT SPRING H=49 PK					
613	996530050539	BLACK BREW UNIT DRILLED BLOCK					
614	421944051231	YLW BREW UNIT ELBOW SHAFT M5000					
615	421944046931	YLW BREW UNIT COUPLING PLATE V2 SMART					
616	996530018241	BLACK HOPPER DOSER BREW UNIT SMART1					
617	996530013148	SCREW TCB TORX 10 3,5X14 PLAST.SS					
618	421944050711	YLW BREWUNIT HOPPER BLOCKING PLATE SMART					
619	996530050838	SS HOPPER SPRING FOR BREW UNIT SMART					
620	996530002096	BLACK SCRAPER FOR BREW UNIT M5000					
621	996530050455	SS SCRAPER SPRING FOR BREW UNIT					
622	996530050627	SS.8GR.BREW UNIT PISTON SPRING					
623	996530050618	WHITE 8GR.-12GR.BREW UNIT PISTON BUSH					
624	421944065791	GRY BREW UNIT INTEGR.PISTON 8GR.V3 ASSY					
625	421944014611	BLK COF.CONTAIN.BREW UNIT V2 M5000 ASSY.					
626	996530001452	BLACK CONNECTING ROD BREW UNIT 8GR.					
627	996530003228	BLACK BREW UNIT FRONT PLATE S/SCR.SMART					
628	996530007953	SCREW TCB TORX 10 3,5X20 PLAST.SS					
629	421944081491	BREW UNIT VALVE FTR/B					
630	421945001491	SS.CONICAL SPRING 6BAR					
631	996530059489	OR ORM 0060-10 TERMOIL					
632	421944065811	GRY BREW UNIT 8GR.INT.PISTON GEN.V3 ASSY					
633	996530073426	BLACK BREW UNIT CONVEYOR SLIDE L=56,3					
	421944093341	BLK/YLW BREW UNIT 8GR 5BAR OMN					

PHILIPS

PHILIPS EP CMF SERIES



PHILIPS

EP1220/00 EP2020/10 EP2030/10
 EP2220/10 EP2021/40 EP2221/40
 EP2224/40 EP3221/40



Cod. 882870800010-0300-0870 882870510870 882870210870
 Cod. 882871110010-0300 882870340870 882871240010-0300
 Cod. 882872240010-0300-0870 882871540010-0300

POS	12NC	DESCRIPTION	NOTE	POS	12NC	DESCRIPTION	NOTE
	421946045821	3POLES CONN. WATER LEV. CAP. OMN UL					
	421946043222	3POLES CONN. FLOWMETER OMN UL					
	421946043141	1 WIRE CABLE BLACK BOILER OMN					
	421946043163	MICRO+MOTOR BREWUN. V2 OMN UL ASSY.					
	421946043193	CONN.MICROSW.DOOR V3 OMN UL ASSY.					
	421946043603	2 WIRES CABLE BOILER/VALVE EARTH OMN V3					
	421945002361	4P.CONN.1ELECTROV. OMN UL ASSY					
	421946047771	3WIRES CABLE BOILER/VAL./VAL. EARTH OMN					
	421945002351	4P.CONN.2ELECTROV. OMN UL ASSY					
	421946046921	TEMPERATURE SENSOR NTC OMN					
	421946047151	WIRING SERPROG OMN PROGRAMMER ASSY.					

PHILIPS

PHILIPS EP CMF SERIES

