

**PHILIPS**

EP1220/00/04  
EP2220/10/12/13/14/40  
EP2224/40  
EP2121/62  
EP2020/10  
EP2021/40  
EP3221/40/43/44  
EP2124/62  
EP1221/20  
EP2224/10

EP2520/10  
EP2221/40/43/49  
EP1222/00  
EP1224/00/09  
EP2223/40  
EP2224/19  
EP3226/40  
EP1224/03  
EP1223/00  
EP2124/72/92



Cod. 882870800010-0300-0870-4520  
Cod. 88287110010-2640-0300-4520-3470-4660-0010-0500-0150

Cod. 882872240010-0300-0870  
Cod. 882872962710  
Cod. 882870510870  
Cod. 882870340870  
Cod. 882871540010-0300-3470-4520  
Cod. 882873262710  
Cod. 882873820870  
Cod. 882872210010-0300

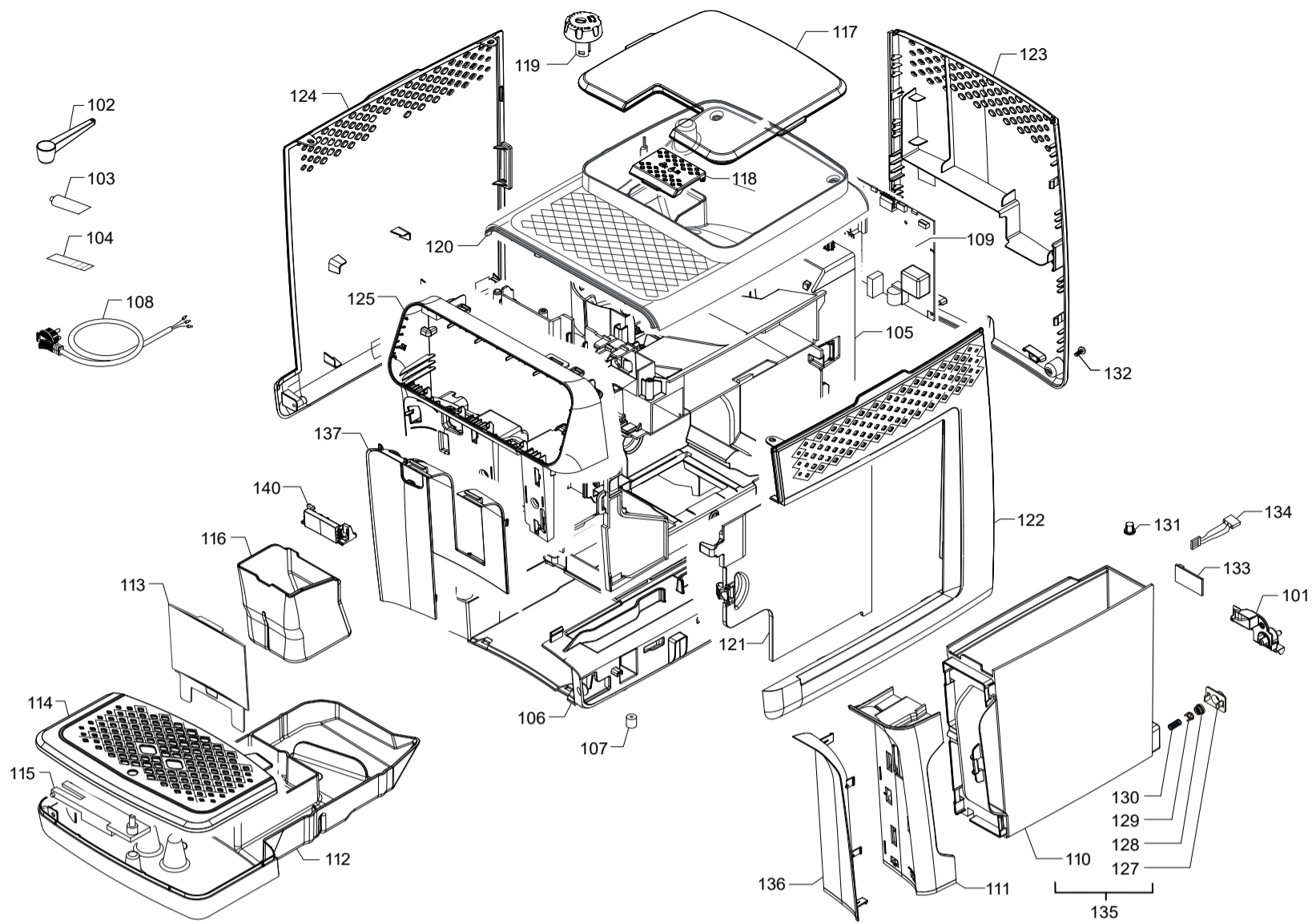
882874010010  
882871240010-0300-3470-9160-0530  
882870700010-0300-0870  
882870600870-0300-0010-9160  
882873940010  
882872219010  
882873540010  
882870603470  
882874200010-0300  
882873272710-92710

POS	12NC	DESCRIPTION	NOTE	POS	12NC	DESCRIPTION	NOTE
101	421945006761	WATER TANK CONNECTOR V2 OMN		109	421945007951	KIT MAINBOARD+SW OMN 230V	⚠
102	421944086411	COFFEE SPOON OMN		421945012132	MAIN+SW APP OMN CN	⚠	
103	421946017941	KLUBERLUB NH1 11-222 TUBE 5GR.		421945009902	MAIN+SW APP OMN KR V2	⚠	⚠ only for Korea
		only for EP1220/00/04 - EP2220/10/13/14/40 - EP2224/10/19/40 - EP2121/62 - EP2020/10 - EP2021/40 - EP3221/43/44 - EP2124/62/72/92 - EP1221/20 - EP2520/10 - EP2221/40/43 - EP1224/00/03 - EP2223/40 - EP1223/00		421945000241	MAIN+SW TEST OMN LOW VOLT	⚠	
	421945031791	KLUBERLUB NH1 11-222 TUBE 5GR.V2		421945042631	KIT MAIN+SW APP OMN/W/B		only for EP2520/10
		only for EP2221/40 - EP2220/10		110	-	WATER TANK OMN	not available see pos. 135
104	421940402711	STICKER FOR WATER HARDNESS TEST		111	421944085351	WATER TANK HANDLE OMN/P-B	
105	421944085661	CENTRAL STRUCTURE OMN ASSY				only for EP1220/00/04 - EP2020/10 - EP2220/10/13/14/40	
		only for EP2220/10/12/13/14/40 - EP2224/10/19/40 - EP2121/62 - EP2020/10 - EP2021/40 - EP3221/43 - EP2124/62/72/92 - EP1221/20 - EP2221/40/43/49 - EP1222/00 - EP1224/00/03/09 - EP2223/40 - EP1223/00		421944083011	WATER TANK HANDLE OMN/H-T		only for EP1222/00
	421945004741	CENTRAL STRUCTURE OMN UL ASSY	120-127V and EP2520/10	421945002291	WATER TANK HANDLE RED OMN/P-B		EP1224/00 - EP2224/19
	421945016861	CENTRAL STRUCTURE ASSY STLR		421944094671	CASH WATER CONT.HANDL.OMN/P-B		only for EP2223/40
		only for EP3221/40 - EP3226/40		421944091941	WHIS WATER TANK HANDLE OMN/T-H		
106	421945014111	BLK CASING BOTTOM V2 OMP/B ASSY		112	421944082861	BLK DRIP TRAY OMN/B	
		only for EP1220/00 - EP2220/10/12/13/14/40 - EP2224/10/19/40 - EP2121/62 - EP2020/10 - EP2021/40 - EP3221/40 - EP2124/62/72/92 - EP1221/20 - EP2520/10 - EP2221/40 - EP1222/00 - EP1224/00/03/09 - EP2223/40 - EP3226/40 - EP1223/00		113	421944085301	BLK DUMP BOX COVER OMN/B-P	
	421944085671	BASE PLATE OMN ASSY		421944082871	BLK DUMP BOX COVER OMN/H-T		
		only for EP3221/43 - EP2221/43 - EP2221/49				only for EP2021/40 - EP2121/62 - EP2221/40/43/49 - EP2223/40 - EP3221/40/43/44	
	421945009571	BLK CASING BOTTOM V2 OMP/B	EP2220/13 - EP2221/43	421944092661	CAS.DUMP.BOX.COV.OMN/H-T GREY		EP2124/62 - EP2224/40
	421945015211	BLK CAS.BOTTOM V2 OMP/B 120V AS		421944094641	CASH DUMP BOX COVER OMN/B-P		EP1224/00 - EP2224/19
		only for EP1220/04 - EP2220/14/40 - EP3221/44		421944094521	DUMP BOX COV.SIL.SPEC.OMN/T		EP2220/12 - EP3226/40
107	421324705256	FOOT		421945002301	RED DUMP BOX COVER OMN/B-P		only for EP1222/00
108	421946043171	BLK POWER CABLE 3X0.75 SCH/KOR L=1000	⚠	114	421944082851	BLK GRATE FOR DRIP TRAY OMN/B	
	421945002001	BLACK POWER CABLE USA L=1000	⚠			only for EP1222/00 - EP1220/04 - EP2220/10/14	
	421945002011	BLACK POWER CABLE TWN L=1000	⚠	421944083121	BA/SS GRATE FOR DRIP TRAY OMN/B	EP2021-2221-2224-2121-2124/62 - EP3221/44	
	421945005041	BLK POWER CABLE 3X0.75 CN L=1000	⚠	421945023291	BA/SS GRATE FOR DRIP TRAY V2 OMN/B	only for EP2021/40 - EP2121/62 - EP2124/62 - EP2220/40 - EP2221/40/49 - EP2224/40	
	421945022151	BLK POWER CABLE 3X0.75 SCH L=1000	⚠	115	421944088751	FLOATER OMN/B	
	421945005511	BLK POWER CABLE 3X0,75MM CH L=1000	⚠	116	421944082881	BLK DUMP BOX OMN/B	
	421945005531	BLK POWER CABLE 3X0,75MM ANZ L=1000	⚠	117	421944082821	TR/GRY BEAN COF.CONT.LID W/SEAL OMN/B	
	421945003511	BLK POWER CABLE 3X0,75MM SING/UK L=1000	⚠	421944091961	BEAN CONT.LID OMN V2		⚠
				118	421944084601	NAT/GRY GROUND COF.HOPPER LID OMN/B	⚠

**IMPORTANT REPAIR INSTRUCTIONS: Only use genuine Philips spare parts to replace critical components. The warranty of your Philips product is void if you do not use genuine Philips spare parts to repair critical components of your appliance. The critical components are indicated with a warning triangle ⚠ in the service exploded view and/or service manual.**

**PHILIPS**

**PHILIPS EP CMF SERIES**



**PHILIPS**

EP1220/00/04  
EP2220/10/12/13/14/40  
EP2224/40  
EP2121/62  
EP2020/10  
EP2021/40  
EP3221/40/43/44  
EP2124/62  
EP1221/20  
EP2224/10

EP2520/10  
EP2221/40/43/49  
EP1222/00  
EP1224/00/09  
EP2223/40  
EP2224/19  
EP3226/40  
EP1224/03  
EP1223/00  
EP2124/72/92



Cod. 882870800010-0300-0870-4520  
Cod. 88287110010-2640-0300-4520-3470-4660-0010-0500-0150

Cod. 882872240010-0300-0870  
Cod. 882872962710  
Cod. 882870510870  
Cod. 882870340870  
Cod. 882871540010-0300-3470-4520  
Cod. 882873262710  
Cod. 882873820870  
Cod. 882872210010-0300

882874010010  
882871240010-0300-3470-9160-0530  
882870700010-0300-0870  
882870600870-0300-0010-9160  
882873940010  
882872219010  
882873540010  
882870603470  
882874200010-0300  
882873272710-92710

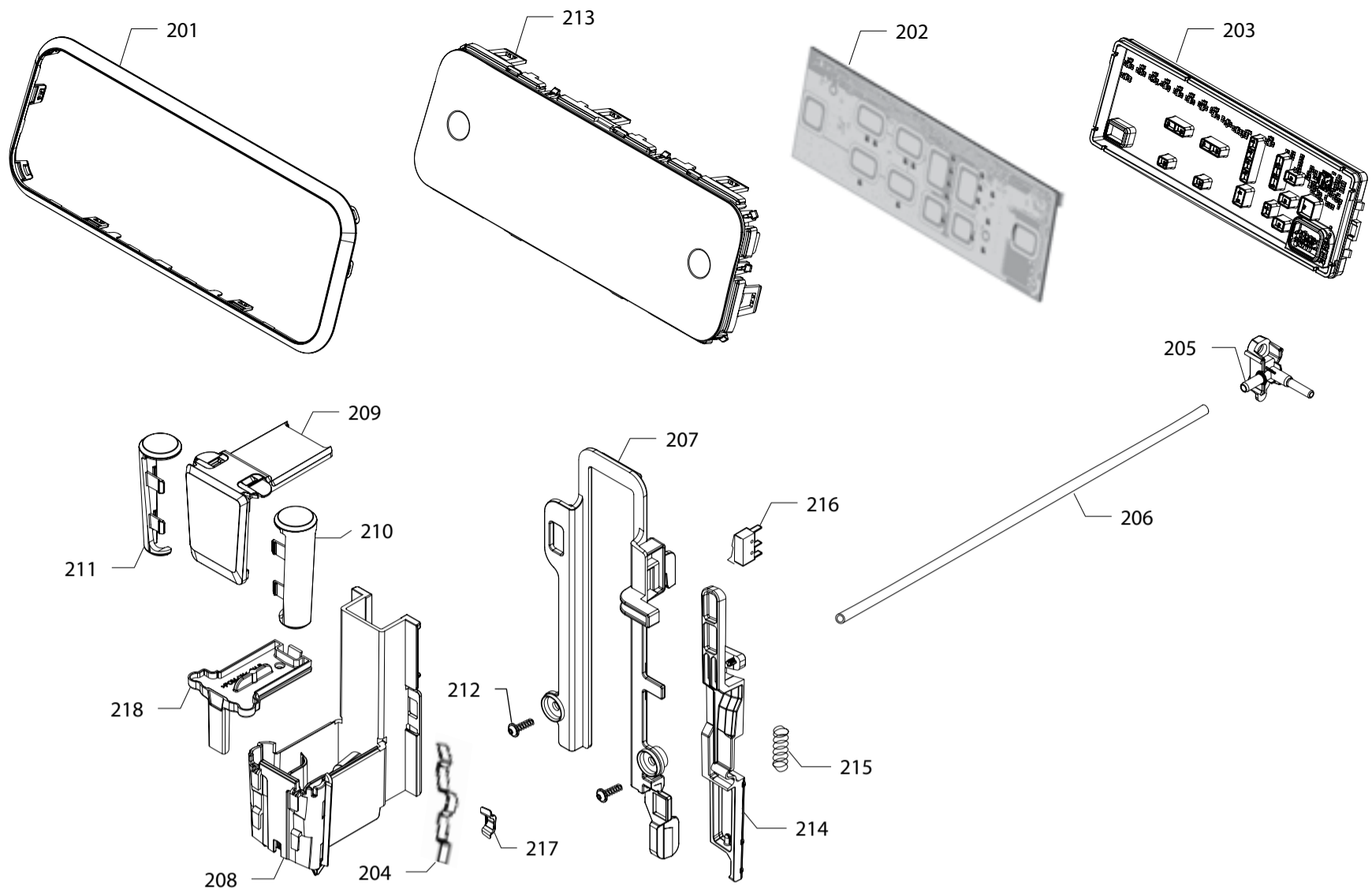
POS	12NC	DESCRIPTION	NOTE	POS	12NC	DESCRIPTION	NOTE
119	421944085401	GRINDER SETTING KNOB OMN		132	421940212391	SCREW TCB TORX 3,5X30 PLAST.ZN-B	
120	421944082831	M/BLK UPPER CASING COVER OMN/B		133	421941306721	CPU+SW WATER LEVEL SENSOR V3 ASSY	
	421945015271	M/BLK UPPER CASING COVER V2 OMN/B			421945002911	N.BOARD+SW WAT SENS OMN	
		<b>only for EP1220/04 - EP2220/10/13/14 - EP3221/44</b>			421945046081	CPU+SW WAT. LEV. SENSOR V3 ASSY. ROM.	120-127V and EP2520/10
	421945015291	D/RED UPP.CAS.COVER V2 OMN/B	only for EP1222/00	134	421946045822	3 POLES CONN.WATER LEV.CAP.V2 OMN UL AS.	120V
	421945015301	CASH UPP.CAS.COVER V2 OMN/B	EP1224/00 - EP2224/19		421945025311	3POLES CONN.FLOWMETER OMN UL ASSY V2 PL	only for EP1222/00
	421945015281	WHIS UPP.CAS.COVER V2 OMN/B	only for EP2223/40		421945025321	3POLES CONN.FLOWMETER OMN UL ASSY V2 BZ	only for EP2220/10/12
	421944091921	WHIS UPP.CAS.COVER OMN/B			421945025361	3 P.CONN.WATER LEV.CAP.V2 OMN UL AS. BZ	only for EP2220/40
		<b>only for EP2124/92 - EP1223/00</b>			421946043222	3POLES CONN.FLOWMETER OMN UL ASSY V2	only for EP1223/00
121	421944082982	LATERAL DOOR V2 OMN		135	421944085741	WATER TANK OMN ASSY	
122	421944082991	RIGHT PANEL OMN		136	421944083001	DEEPBLK WATER CONT.HAND.COV.OMN/H-T	
	421944094661	CASH RIGHT PANEL OMN/H-T			421944092421	C/GREY WATER CONT.HANDL.COV.OMN/H-T	EP2124/62 - EP2224/40
		<b>only for EP1224/00 - EP1224/09 - EP2224/19</b>			421944094531	WATER CONT.HAND.COV.SILV.SPEC.OMN/T	only for EP3226/40
	421944092611	WHT RIGHT PANEL OMN/H-T	only for EP2223/40	137	421944082891	BLK INS.FRONT UPPER CASING COVER OMN/B	
	421944092621	RED RIGHT PANEL OMN/H-T	only for EP1222/00		421944092391	CAS.NS.FRONT UPP.CAS.COV.OMN/B GREY INS	
123	421944083041	BACK PANEL OMN				<b>only for EP2224/40 - EP2124/62</b>	
	421944094681	CASH BACK PANEL OMN			421944094511	FR.UP.CAS.COV.SILVER SPEC OMN/T	
		<b>only for EP1224/00 - EP1224/09 - EP2224/19</b>				<b>only for EP2220/12 - EP3226/40</b>	
	421944092631	WHT BACK PANEL OMN	only for EP2223/40	140	421944085431	FRONT PANEL INSERT OMN	
	421944092641	RED BACK PANEL OMN	only for EP1222/00		421945002321	RED FRONT PANEL INSERT OMN	only for EP1222/00
124	421944082921	BLK LEFT SIDE COVER OMN/B			421945000711	FRONTAL PAN.INS.OMN/P-B-CASH	
	421944094691	CASH LEFT SIDE COVER OMN/B				<b>only for EP1224/00 - EP1224/09 - EP2224/19</b>	
		<b>only for EP1224/00 - EP1224/09 - EP2224/19</b>					
	421944092591	WHT LEFT SIDE COVER OMN/B	only for EP2223/40				
	421944092601	RED LEFT SIDE COVER OMN/B	only for EP1222/00				
125	421944085311	BLK FRONT UPPER CASING COVER OMN/P					
		<b>only for EP2020/10 - EP1220/00 - EP2220/14 - EP1220/04 - EP2220/10 - EP2220/12 - EP2220/40 - EP2520/10</b>					
	421944082901	BLK FRONT UPPER CASING COVER OMN/H-T					
	421945002311	RED FRONT UPPER CASING COVER OMN/P	only for EP1222/00				
	421944094651	CASH FRONT UPP.CAS.COV.OMN/H-T					
		<b>only for EP1224/00 - EP1224/09 - EP2224/19</b>					
	421944092531	WHT FRONT UPP.CAS.COV.OMN/H-T	only for EP2223/40				
127	421944040061	BLK LID FOR WATER CONT.VALVE V2 P0049					
128	421944040781	BLK GASKET FOR WATER CONT.VALVE V2 P0049					
129	421944040071	BLK WATER CONT.VALVE INSERT V2 P0049					
130	421941157841	SS SPRING FOR WATER CONTAIN. VALVE P0049					
131	996530029115	EXTERNAL FILTER FOR WATER CONTAINER ASSY					
	421941115951	WHT WATER CONTAINER EXT.FILTER ASSY					
		<b>only for EP1224/00 - EP1224/09 - EP2124/92</b>					

**IMPORTANT REPAIR INSTRUCTIONS: Only use genuine Philips spare parts to replace critical components. The warranty of your Philips product is void if you do not use genuine Philips spare parts to repair critical components of your appliance. The critical components are indicated with a warning triangle ⚠ in the service exploded view and/or service manual.**

**PHILIPS**

**PHILIPS EP CMF SERIES**





EP1220/00/04  
EP2220/10/12/13/14/40  
EP2224/40  
EP2121/62  
EP2020/10  
EP2021/40  
EP3221/40/43/44  
EP2124/62  
EP1221/20  
EP2224/10

EP2520/10  
EP2221/40/43/49  
EP1222/00  
EP1224/00/09  
EP2223/40  
EP2224/19  
EP3226/40  
EP1224/03  
EP1223/00  
EP2124/72/92

Cod. 882870800010-0300-0870-4520  
Cod. 882871110010-2640-0300-4520-3470-4660-0010-0500-0150  
Cod. 882872240010-0300-0870  
Cod. 882872962710  
Cod. 882870510870  
Cod. 882870340870  
Cod. 882871540010-0300-3470-4520  
Cod. 882873262710  
Cod. 882873820870  
Cod. 882872210010-0300

882874010010  
882871240010-0300-3470-9160-0530  
882870700010-0300-0870  
882870600870-0300-0010-9160  
882873940010  
882872219010  
882873540010  
882870603470  
882874200010-0300  
882873272710-92710

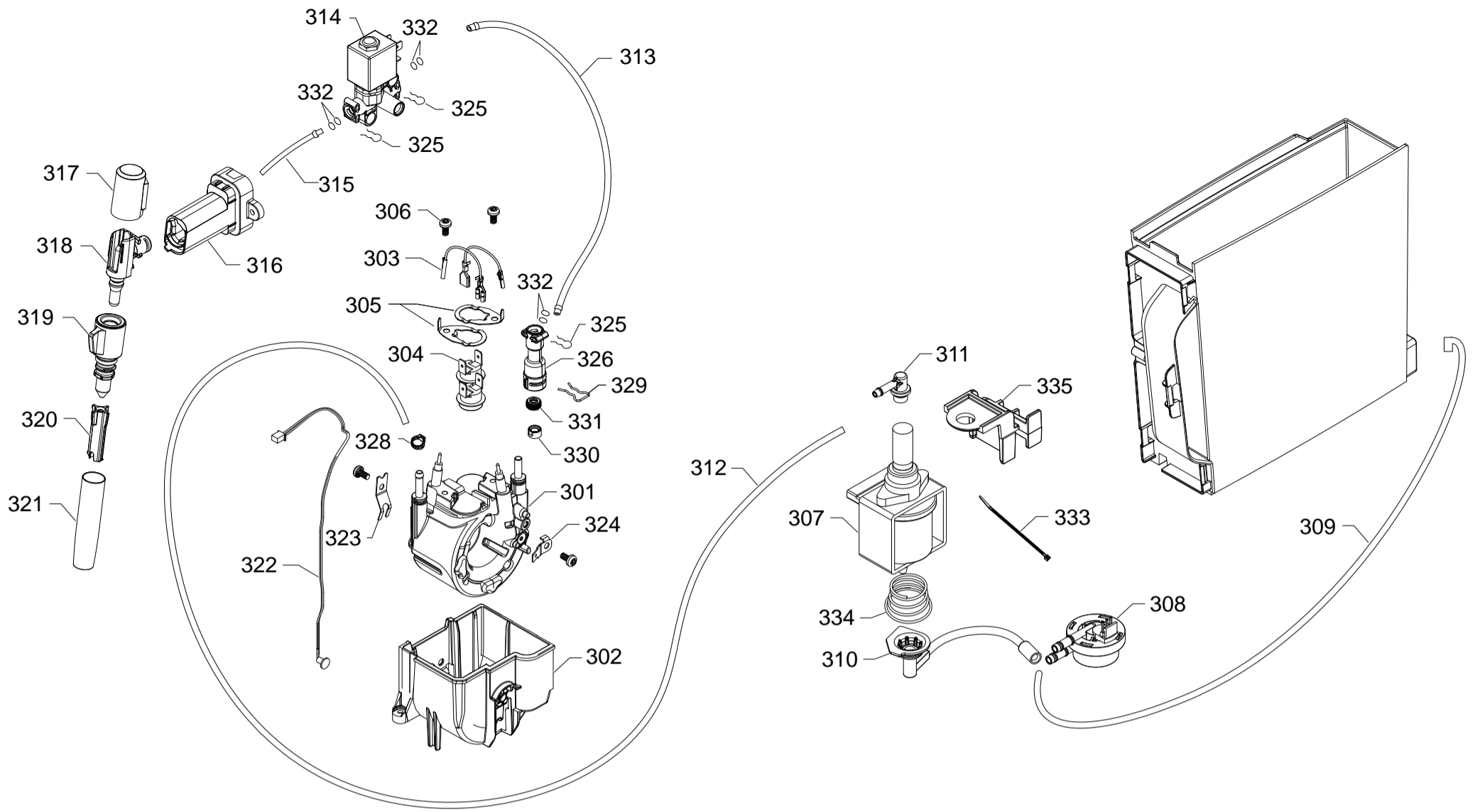
PHILIPS



POS	12NC	DESCRIPTION	NOTE	POS	12NC	DESCRIPTION	NOTE
201	421944083161 421945015831	CHR.UI FRAME OMN/T CHR.UI FRAME OMN/T <b>only for EP2124/72 - EP2124/92</b>		218	421945006591	INTERNAL COVER OMN/B	
202	421941311861 421941311901 421945023141 421945022071 421945023131	UI+SW TEST ENTRY OMN UI+SW TEST BASIC OMN UI+SW TEST SYS. BASIC OMN UI+SW TEST ENTRY OMN/W/P UI+SW TEST SYS. ENTRY OMN <b>only for EP2221/10/40 - EP2220/10</b>	⚠ ⚠ only for EP3221/43 ⚠ only for EP3226/40 only for EP2520/10				
203	421944091571 421944091511	WHT REAR COVER UI OMN/B WHT REAR COVER UI OMN/T <b>only for EP3221/40/43/44 - EP3226/40</b>					
204	422224000542	SPOUT SPRING					
205	421944085411 421945006621	BLK BREW UNIT COFFEE OUTLET CONN.OMN/B BLK COF.OUTLET CONN OMN CN	only for china				
206	421945001461	SILICONE TUBE 4X6.5 L=245 MM					
207	421944088081	COF.DISPENS.SUPP.OMN/B					
208	421944083201 421945006601 421945022602	BLK COF.DISPENS.EXT.MOBILE PART OMN/B BLK COF.DISPENSER OMN CN BLK COF.DISP.EXT.MOB.PART V3 OMN/B <b>only for EP2220/10/12/13 - EP2221/43</b>	only for china				
209	421944090431	BLK UPP.COV.COFF.DISP.S/SCR.OMN/B					
210	421944088691 421945015851	CHROM.RIGHT SIDE INS.COF.DISP.OMN/B CHROM.RIGHT SIDE INS.COF.DISP.OMN/B <b>only for EP2124/72 - EP2124/92</b>					
211	421944088701 421945015861	CHROM.LEFT SIDE INS.COF.DISP.OMN/B CHROM.LEFT SIDE INS.COF.DISP.OMN/B <b>only for EP2124/72 - EP2124/92</b>					
212	421940220061	SCREW TCBR TORX 10 3,5X12 PLAST.ZN-N					
213	421944092851 421944092831 421945005891 421945009301 421945009321 421945009361 421944092871 421945021591	BLK FRONT PANEL UI OMN/M2 S/SCR BLK FRONT PANEL UI OMN/B1 S/SCR BLK FRONT PANEL UI OMN/M2 S/SCR.CH BLK FRONT PANEL UI OMN/B1 120V S/SCR BLK FRONT PANEL UI V2 OMN/M2 S/SCR BLK FRONT PANEL UI OMN/T2A 120V S/SCR BLK FRONT PANEL UI OMN/T2a S/SCR BLK FRONT PANEL UI OMN/W/M S/SCR	only for EP1220/00 EP2121/62 - EP2124/62 only for EP1220/04 only for EP2220/14 only for EP3221/44 EP3221/43 - EP3226/40 only for EP2520/10				
214	421944085422	DUMP BOX MISCROSWITCH LEVER V2 OMN					
215	421944092961	MICROSWITCH LEVER SPRING OMN					
216	421946043193 421945025291 421945025301	CONN.MICROSW.DOOR OMN UL ASSY V3 CONN.MICROSW.DOOR OMN UL ASSY V3 PL CONN.MICROSW.DOOR OMN UL ASSY V3 BZ <b>only for EP2220/10/12 - EP2220/40 - EP2223/40 EP2224/19</b>	⚠ ⚠ only for EP1222/00 ⚠				
217	421945006071	WHT COFFEE DISPENSER SLIDER OMN/B					

PHILIPS

PHILIPS EP CMF SERIES



EP1220/00/04  
EP2220/10/12/13/14/40  
EP2224/40  
EP2121/62  
EP2020/10  
EP2021/40  
EP3221/40/43/44  
EP2124/62  
EP1221/20  
EP2224/10

EP2520/10  
EP2221/40/43/49  
EP1222/00  
EP1224/00/09  
EP2223/40  
EP2224/19  
EP3226/40  
EP1224/03  
EP1223/00  
EP2124/72/92

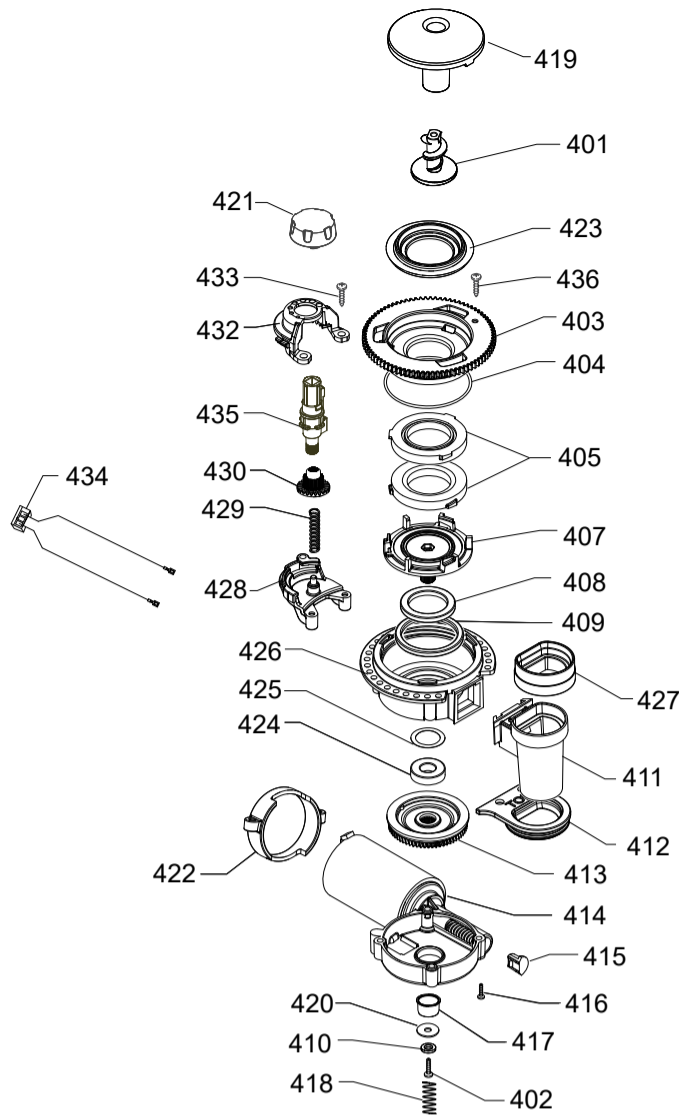
Cod. 882870800010-0300-0870-4520  
Cod. 88287110010-2640-0300-4520-3470-4660-0010-0500-0150  
Cod. 882872240010-0300-0870  
Cod. 882872962710  
Cod. 882870510870  
Cod. 882870340870  
Cod. 882871540010-0300-3470-4520  
Cod. 882873262710  
Cod. 882873820870  
Cod. 882872210010-0300

882874010010  
882871240010-0300-3470-9160-0530  
882870700010-0300-0870  
882870600870-0300-0010-9160  
882873940010  
882872219010  
882873540010  
882870603470  
882874200010-0300  
882873272710-92710



POS	12NC	DESCRIPTION	NOTE	POS	12NC	DESCRIPTION	NOTE
301	421944082941	THERMOBLOCK OMN ASSY	⚠				
	421945003491	THERMOBLOCK 127V OMN ASSY	⚠ 120V				
	421945008121	THERMOBLOCK 220V OMN/CN ASSY	⚠ only fo china				
302	421944082951	THERMOBLOCK SUPP.OMN ASSY	⚠				
303	421946043141	CABLE 1 WIRE BLK BOILER OMN	⚠				
304	262279998757	THERMOSTAT OPEN/CLOSE 190/-35DEGC B	⚠				
305	422224002162	FUSE CLAMP	⚠				
306	421940212071	SCREW TCB TORX 20 M4X8 AUTOFORMING ZN-B	⚠				
307	421941305991	ULKA PUMP EP5FMGW 230V-50HZ	⚠				
	421944081531	ULKA PUMP EFP5/S 120V-60HZ	⚠ 120V				
	421940219771	ULKA PUMP EP5/S GW 220V-60HZ	⚠ EP2220/13 - EP2221/43				
308	421940207701	TURBINE D=1,2 932-8521/90 ASSY	⚠				
309	422224708411	FM INLET HOSE	⚠				
310	422224708391	FM OUTLET HOSE	⚠				
311	421944090251	BLACK 90°CONNECTOR PUMP OUTLET PHI2200	⚠				
312	421944065471	PINK 5X8,9 SILICONE TUBE L=140 MM	⚠				
313	421944091581	TEFLON TUBE 2X4 L=200MM+2BUSH 7/7 ASSY	⚠				
314	421944082931	EV OMN ASSY	⚠				
	421945004501	EV ASSEMBLY-UL OMN	⚠ 120V				
		<b>only for EP1220/04 - EP2220/14 - EP3221/44</b>					
315	421941128281	TEFLON TUBE 2X4 L=180 MM ASSY	⚠				
316	421944088562	BLK SUPP PANN.V2 OMN/H	⚠				
317	421944088601	BLK COVER PANNARELLO OMN/H	⚠				
318	421944085371	BLK CONNECT.PANNARELLO OMN/H	⚠				
	421945007581	BLK CONNECT.PANNARELLO CN OMN/H	⚠ only for china				
319	421944088531	BLK/SIL.STEAM TUBE HANDGRIP OMN/H	⚠				
320	421944085391	BLK PANNARELLO INT.TUBE OMN/H	⚠				
	421945006611	BLK PANN.INT.TUBE OMN CN	⚠				
		<b>only for EP2124/72 - EP2124/92</b>					
321	421944086991	SS PANNARELLO COVER OMN/H	⚠				
322	421946046921	TEMPERATURE SENSOR NTC OMN	⚠				
323	422224002171	NTC CLAMP	⚠				
324	422224006892	EARTH TERMINAL	⚠				
325	421941058941	SS FORK FOR TUBE D.4	⚠				
326	422224777123	TB INLET CONNECTOR	⚠				
328	421940221091	OETIKER CLAMP D=9,5 16700004	⚠				
329	422224002241	FORK FOR D=8MM	⚠				
330	422224777092	TB SEAL SPACER	⚠				
331	422224708381	THERMOBLOCK SEAL	⚠				
332	996530013564	OR 2015 SILICONE PTFE/FDA	⚠				
333	421940213981	SELF LOCK STRIP W=2.6 L=200	⚠				
334	422224002181	PUMP SPRING	⚠				
335	421945020921	PUMP RUBBER SUPPORT OMN	⚠				





**PHILIPS**

EP1220/00/04  
 EP2220/10/12/13/14/40  
 EP2224/40  
 EP2121/62  
 EP2020/10  
 EP2021/40  
 EP3221/40/43/44  
 EP2124/62  
 EP1221/20  
 EP2224/10

EP2520/10  
 EP2221/40/43/49  
 EP1222/00  
 EP1224/00/09  
 EP2223/40  
 EP2224/19  
 EP3226/40  
 EP1224/03  
 EP1223/00  
 EP2124/72/92



Cod. 882870800010-0300-0870-4520  
 Cod. 882871110010-2640-0300-4520-3470-4660-0010-0500-0150

Cod. 882872240010-0300-0870  
 Cod. 882872962710  
 Cod. 882870510870  
 Cod. 882870340870  
 Cod. 882871540010-0300-3470-4520  
 Cod. 882873262710  
 Cod. 882873820870  
 Cod. 882872210010-0300

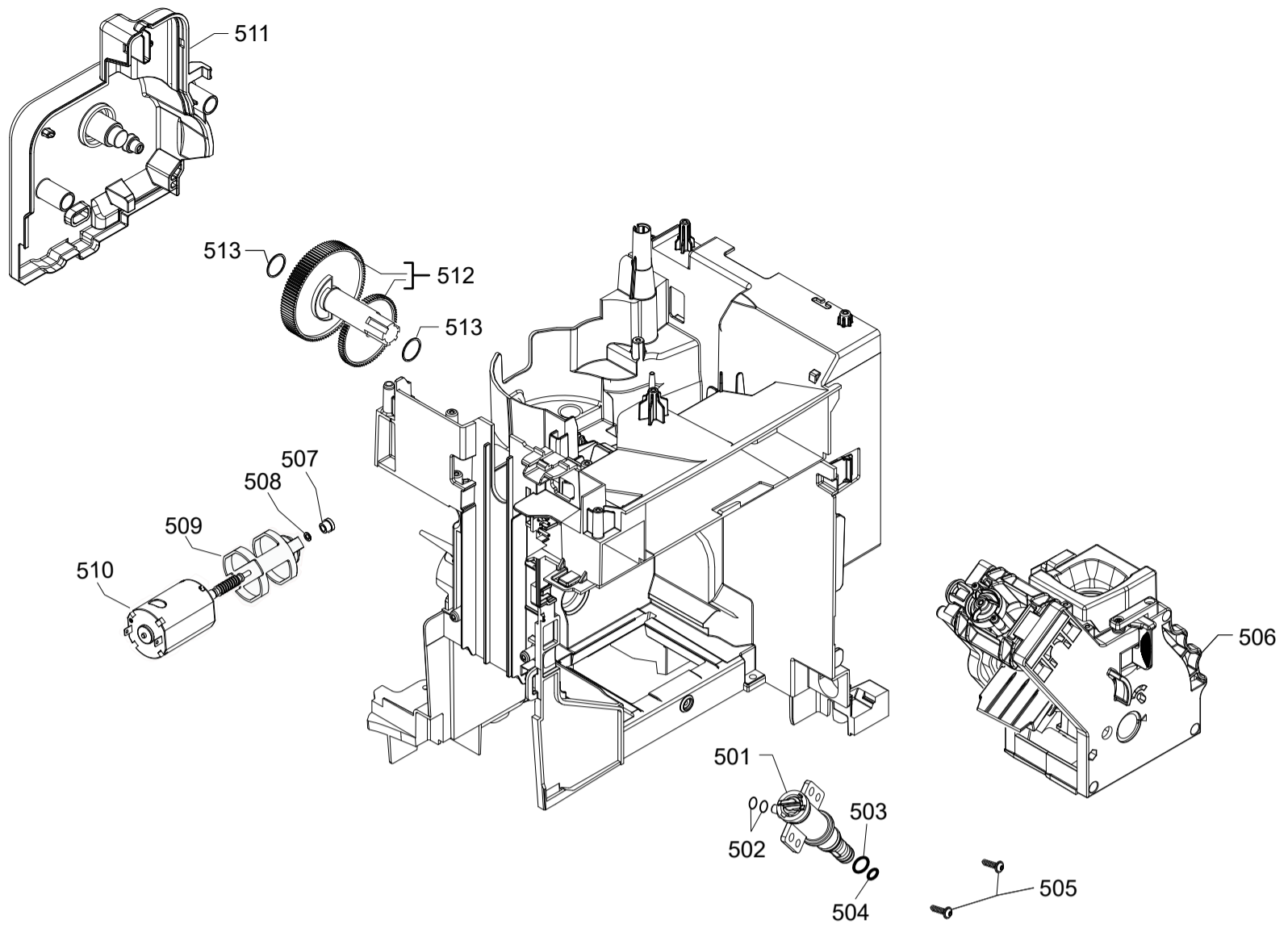
882874010010  
 882871240010-0300-3470-9160-0530  
 882870700010-0300-0870  
 882870600870-0300-0010-9160  
 882873940010  
 882872219010  
 882873540010  
 882870603470  
 882874200010-0300  
 882873272710-92710

POS	12NC	DESCRIPTION	NOTE	POS	12NC	DESCRIPTION	NOTE
401	421944032693	GRIVORY INCREASE SCREW GRINDER V3					
402	996530012928	SCREW TCB TORX 20 M4X30 ZN-B					
403	421941094152	BLK COF.GRINDER UPPER GRINDER SUPPORT V2		435	421944052341	BLW BEAN COFFEE GRINDER INSERT V2 SMR	
404	996530013577	NBR FDA OR METRIC 0530-15		436	421940213291	SCREW TCB TORX 10 3X8 PLAST.ZN-B	
405	996530016342	BAKED CLAY GRINDER 48X28					
406	421944079881 421945000721	BRASS BUSH BEAN CONT.FINGER PROTEC.FTR/B BLK.BUSH BEAN CONT.FINGER PROTEC					
		<b>only for EP1224/03 - EP2224/10 - EP1221/20 - EP1223/00 - EP2220/10</b>					
407	996530017952	LOWER GRINDER SUPPORT COFFEEGRINDER					
408	996530011183	AXIAL BEARING EKKO 342.35252					
409	996530013597	FELT RING 45,4X39,4X4					
410	996530012341	GALV.WASHER UNI 8842 A4					
411	421941230122	BLK GROUND COFF.OUTLET CONV. V2 ASSY.					
412	421944060561	GRY GROUND COF.CONT.LOWER SEAL V2 SMART1					
413	421945006091	GRY GEAR SX Z=38 FOR GRINDER MOTION					
414	421944049151 421944084071 421944078831	MOTOR COFFEEGRINDER V3.2 230V ASSY MOTOR COFFEEGRINDER V3.2 WZN 120V ASSY MOTOR COFFEEGRINDER V3.2 230V DOMEL ASSY	  only for EP2520/10				
415	996530018139	CAP FOR WORM SCREW MCV3 CENTRING					
416	996530012992	SCREW TCB TORX 3,5X30 PLAST.ZN-B					
417	996530001389 421941154362	INSULATOR BUSH FOR GRINDER MOTOR P124 INSULATOR BUSH V2 FOR GRINDER MOTOR	only for EP2220/10				
418	996530000376	COFFEE GRINDER SUPPORT SPRING P124					
419	421945024711 421944094591	BLK GRINDER FINGER PROTECT.V2 OMN BEAN CONT.FINGER PROT.NO WRIT OMN/B					
		<b>only for EP1220/00 - EP2220/10 - EP2221/40/49 EP2224/10/40 - EP3221/43</b>					
420	996530012375	GALVAN.FLAT WASH.DI=4,3 DE=14 SP=1,5					
421	421944075151	BLK GRIND.AJUST.KNOB 10 POS. SMR					
422	421941142172	BLK COFFEEGRINDER MOTOR SUPP.P124 V2					
423	421941085872	COFFEE GRINDER SEAL P119 GRY 7035					
424	996530011182	RADIAL BEARING 61900.2RS1					
425	996530012374	CRINKLE WASHER 21,8X15,8X0,2					
426	421941082802	BLK UPPER BODY WITH COFFEE GROUND OUT.V2					
427	996530015958	GROUND COFFEE CONT.SEAL UPPER SMART1					
428	996530001314	LOWER GEAR SUPPORT COFFEEGRINDER P124					
429	996530001308	GRINDER REGULATION SPRING P124					
430	996530001907	COFFEE GRINDING ADJUSTMENT GEAR P0049					
431	421940212391	SCREW TCB TORX 3,5X30 PLAST.ZN-B					
432	996530001296	UPPER GEAR SUPPORT COFFEEGRINDER P124					
433	996530013165	SCREW TCB TORX 10 3,5X16 PLAST.ZN-B					
434	996530073454 421946043182	2POLES CONNET.COFFEEGRINDER MOTOR SMR UL 2POLES CONN.MICROSW.DOOR OMN UL ASSY					
		<b>EP1220/00/04 - EP1222/00 - EP2121/62 - EP2124/62 -</b>					

**PHILIPS**

**PHILIPS EP CMF SERIES**





**PHILIPS**

EP1220/00/04  
EP2220/10/12/13/14/40  
EP2224/40  
EP2121/62  
EP2020/10  
EP2021/40  
EP3221/40/43/44  
EP2124/62  
EP1221/20  
EP2224/10

EP2520/10  
EP2221/40/43/49  
EP1222/00  
EP1224/00/09  
EP2223/40  
EP2224/19  
EP3226/40  
EP1224/03  
EP1223/00  
EP2124/72/92



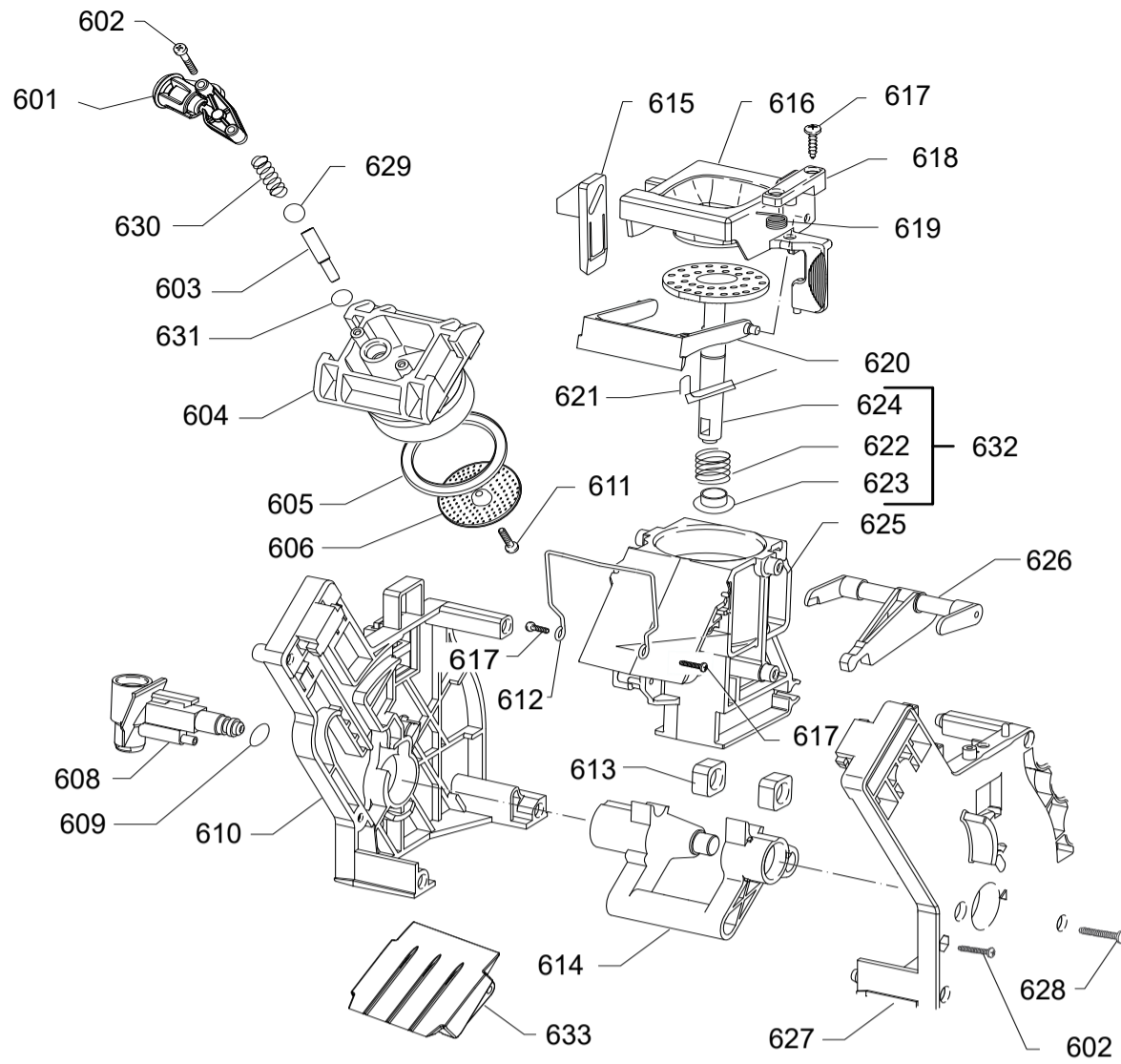
Cod. 882870800010-0300-0870-4520  
Cod. 882871110010-2640-0300-4520-3470-4660-0010-0500-0150  
Cod. 882872240010-0300-0870  
Cod. 882872962710  
Cod. 882870510870  
Cod. 882870340870  
Cod. 882871540010-0300-3470-4520  
Cod. 882873262710  
Cod. 882873820870  
Cod. 882872210010-0300

882874010010  
882871240010-0300-3470-9160-0530  
882870700010-0300-0870  
882870600870-0300-0010-9160  
882873940010  
882872219010  
882873540010  
882870603470  
882874200010-0300  
882873272710-92710

POS	12NC	DESCRIPTION	NOTE	POS	12NC	DESCRIPTION	NOTE
501	421945000221	ASSY PIN OF BOILER SMR					
	421945041191	PIN FOR BOILER OMN ASSY V2	only for EP2221/40				
	421945045521	PIN FOR BOILER OMN ASSY V3	only for EP2220/10				
502	996530013564	OR 2015 SILICONE PTFE/FDA					
503	996530059399	OR ORM 0090-20 SILICONE					
	421945039071	OR ORM 0090-20 RED MG8037R70P	only for EP2220/10				
504	996530059419	OR ORM 0050-20 IN SILICONE					
505	996530070321	SCREW TCBR TORX 10 3,5X12 PLAST.SS					
506	421944093343	BLK/YLW BREW UNIT 8GR 5BAR V3 OMN					
	421945017481	BLK/YLW BREW UNIT 8GR 5BAR OMN/CN (2ND)	only for china				
	421944092331	BLK/YLW BREW UNIT 8GR.5BAR FTR/B V3					
	421945025202	BLK/YLW BREW UNIT 8GR 5BAR OMN 2ND V2	only for EP1220/04 - EP2220/14 - EP3221/44				
	421945008142	BLK/YLW BREW UNIT 8GR 5BAR V2 OMN/CN	only for EP2224/10 - EP2220/10				
			only for EP2124/72 - EP2124/92				
507	996530049898	SINTERED BUSH FOR MOTOR					
508	996530017424	WASHER BAKELIZZATE D=5,5					
509	996530049896	ANTIVIBRATION FOR MOTOR					
510	996530002796	MOTOR FOR RATIOMOTOR P124 ASSY.	⚠				
511	421944082961	BREW UNIT MOTOR COVER OMN	⚠ 120V				
	421945004721	BREW UNIT MOTOR COVER UL OMN	⚠				
			only for EP1220/04 - EP2220/14 - EP3221/44				
512	996530009913	SPARES KIT GEARS FOR RATIOMOTOR V2					
513	996530050569	MYLAR WASHER FOR RATIOMOTOR					

**PHILIPS**

**PHILIPS EP CMF SERIES**



**PHILIPS**

EP1220/00/04  
 EP2220/10/12/13/14/40  
 EP2224/40  
 EP2121/62  
 EP2020/10  
 EP2021/40  
 EP3221/40/43/44  
 EP2124/62  
 EP1221/20  
 EP2224/10

EP2520/10  
 EP2221/40/43/49  
 EP1222/00  
 EP1224/00/09  
 EP2223/40  
 EP2224/19  
 EP3226/40  
 EP1224/03  
 EP1223/00  
 EP2124/72/92



Cod. 882870800010-0300-0870-4520  
 Cod. 88287110010-2640-0300-4520-3470-4660-0010-0500-0150

Cod. 882872240010-0300-0870  
 Cod. 882872962710  
 Cod. 882870510870  
 Cod. 882870340870  
 Cod. 882871540010-0300-3470-4520  
 Cod. 882873262710  
 Cod. 882873820870  
 Cod. 882872210010-0300

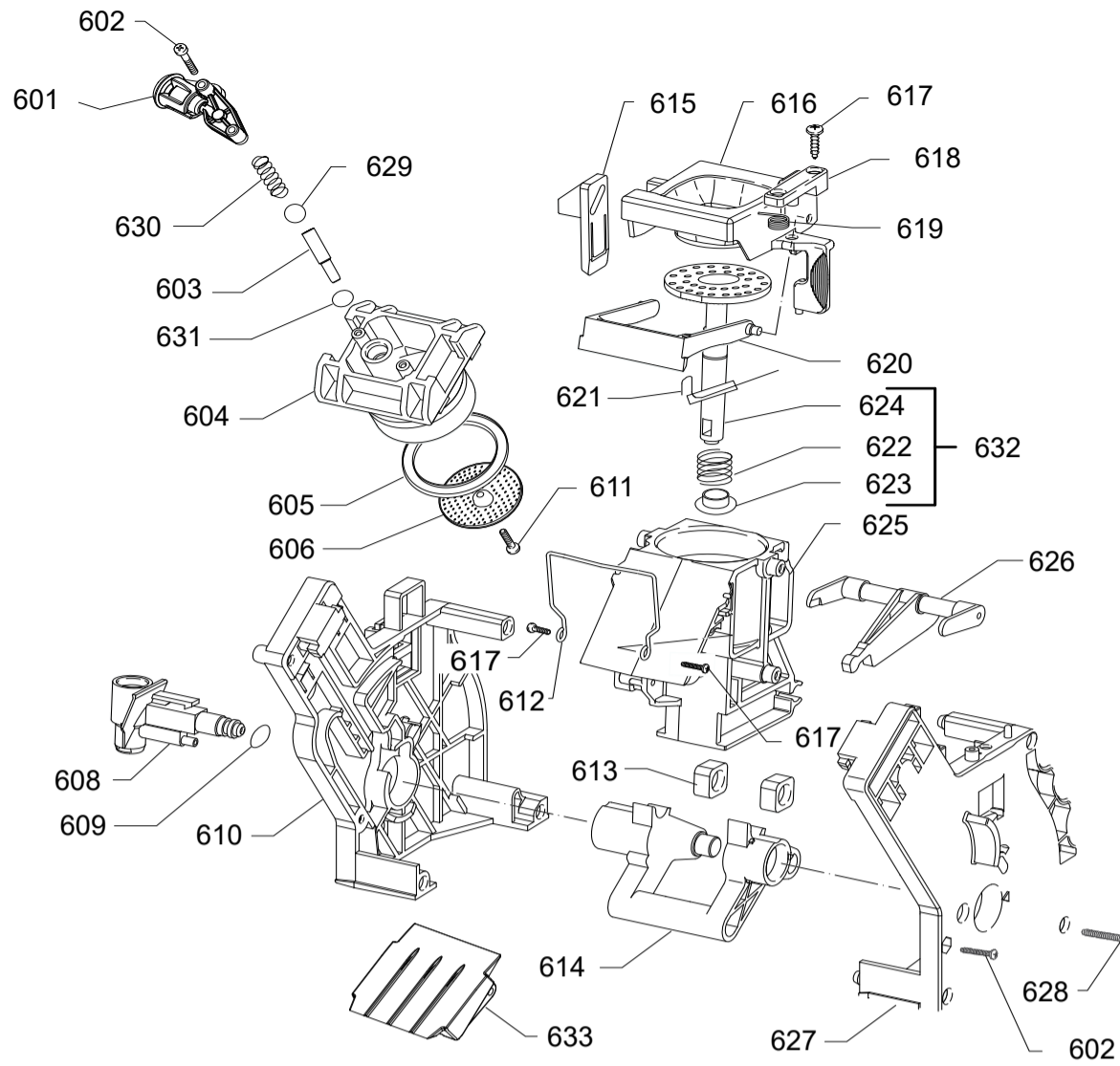
882874010010  
 882871240010-0300-3470-9160-0530  
 882870700010-0300-0870  
 882870600870-0300-0010-9160  
 882873940010  
 882872219010  
 882873540010  
 882870603470  
 882874200010-0300  
 882873272710-92710

POS	12NC	DESCRIPTION	NOTE
601	421944065222 421945008181 421945026582	BLK BREW UNIT COF.OUT.SLEEVE V2 SMR ASSY BLK BREW UNIT COF.OUT.SLEEVE V3 SMR ASSY BLK BREW UNIT COF.OUT.SLEEVE OMN ASSY <b>only for EP2224/10 - EP2220/10</b>	only for china
602	996530007838	SCREW TCB TORX 10 3X25 PLAST.SS	
603	996530005372 421945003871 421944079291 421944091751	BLK COUNTER PISTON TUBE BREW UNIT S0053 BLK BREW UN.COUNTER PISTON TUBE V3 S0053 BLK BREW UN.COUNTER PISTON TUBE V2 S0053 BLK BREW UNIT 8GR.COUNTER PISTON V2	only for china only for EP1222/00 only for EP2220/10
604	996530001046 421945003891 421944079991 421944091751 421944091801	BLACK COUNTER PISTON BREW UNIT 8GR.P124 BLK BREW UNIT 8GR.COUNTER PISTON V3 P124 BLK BREW UNIT 8GR.COUNTER PISTON V2 P124 BLK BREW UNIT 8GR.COUNTER PISTON V2 BLK BU HOPPER BLOCKING PLATE V2 SMART	only for china only for EP1222/00 only for EP2224/10 only for EP2220/10
605	996530059406	OR ORM 0320-40 IN SILICONE PTFE/FDA	
606	996530050709 421945025331	PERCOLATOR DE=35,8 ELFO PERCOLATOR DE=35,8 <b>only for EP1224/00/09 - EP2220/10/12/40 - EP2221/49 EP2223/40 - EP2224/19</b>	
608	421945002572 421944093331 421944050641  421944093332	BREW NEU. UN.WATER INLET SLEEVE V5 BREW UN.WATER INLET SLEEVE V4 BREW UN.WATER INLET SLEEVE V2 SMR <b>only for EP1220/04 - EP2220/14 - EP3221/44</b> BREW UN.WATER INLET SLEEVE V5 <b>only for EP2124/72 - EP2124/92</b>	only for china
609	421940207151	OR 2025 NBR FDA	
610	996530050832 421944091731  421941065071	BLACK REAR PLATE FOR BREW UNIT SMART BLK BREW UNIT REAR PLATE V2 SMR <b>only for EP1224/00/09 - EP2220/10/12/40 - EP2221/49 EP2223/40 - EP2224/19</b> BLK BREW UNIT REAR PLATE SMART	only for EP1224/09
611	996530007951	SCREW TSP TORX 10 3X10 PLAST.SS	
612	421944025811 421945044171	SS BREW UNIT SPRING H=49 PK SS BREW UNIT SPRING H=49 PK V2	only for EP2220/10
613	996530050539	BLACK DRILLED BLOCK BREW UNIT	
614	421944079201 421944091781	YLW BREW UNIT ELBOW SHAFT V2 M5000 YLW BREW UNIT ELBOW SHAFT M5000 V2 <b>only for EP1224/00/09 - EP2220/10/12/40 - EP2221/49 EP2223/40 - EP2224/19</b>	
615	421944046932 421944091791	YLW BREW UNIT COUPLING PLATE V3 SMART YLW BREW UNIT COUPLING PLATE V3 SMART <b>only for EP1224/00/09 - EP2220/10/12/40 - EP2221/49 EP2223/40 - EP2224/19</b>	
616	996530018241 421944079552	BLACK HOPPER DOSER BREW UNIT SMART1 BLK BREW UNIT V4 SMART1 HOPPER DOSER	only for china

POS	12NC	DESCRIPTION	NOTE
	421941095982	BLK BREW UNIT V3 SMART1 HOPPER DOSER <b>EP3221/43 EP1220/00/04 - EP2220/12/14 - EP3221/44</b>	
	421945014151	BLK BREW UNIT V5 SMART1 HOPPER DOSER <b>only for EP1222/00 - EP1224/00 - EP2220/40 - EP2220/10 - EP2224/19 - EP3226/40</b>	
617	996530013148	SCREW TCB TORX 10 3,5X14 PLAST.SS	
618	421944050711 421941065051	YLW BREWUNIT HOPPER BLOCKING PLATE SMART BLK BREWUNIT HOPPER BLOCKING PLATE SMART <b>only for EP1222/00 - EP1220/04 - EP2220/10/12/14 - EP3221/44</b>	
619	996530050838	SPRING HOPPER SMART BREW UNIT	
620	996530002096 421945003961 421944079261	BLACK SCRAPER FOR BREW UNIT M5000 BLK BREW UNIT SCRAPER V3 M5000 BLK BREW UNIT SCRAPER V2 M5000 <b>only for EP1222/00 - EP1220/04 - EP2220/10/14 - EP3221/44</b>	only for china
	421944091771	BLK BREW UNIT SCRAPER M5000 V2	only for EP2520/10
621	996530050455	SPRING FOR UNIT SCRAPER	
622	996530050627	SS.8GR.BREW UNIT PISTON SPRING	
623	996530050618	WHITE 8GR.-12GR.BREW UNIT PISTON BUSH	
624	421944065791 421944079491	GRY BREW UNIT INTEGR.PISTON 8GR.V3 ASSY GRY BREW UNIT INTEGR.PISTON 8GR.V4 ASSY <b>only for EP1222/00 - EP1220/04 - EP2220/14 - EP3221/44</b>	
	421945014181	BLK BREW UNIT INTEGR.PISTON 8GR.V5 ASSY <b>only for EP2224/10 - EP2220/10</b>	
	421945003941	GRY BREW UNIT INTEGR.PISTON 8GR.V5 ASSY <b>only for EP2124/72 - EP2124/92</b>	
625	421944014611 421945003921 421944079431	BLK COF.CONTAIN.BREW UNIT V2 M5000 ASSY. BLK COF.CONTAIN.BREW UNIT V5 M5000 ASSY BLK COF.CONTAIN.BREW UNIT V4 M5000 ASSY <b>EP3221/43- EP1220/04 - EP2220/14 - EP3221/44</b>	only for china
	421945013822	BLK COF.CONTAIN.BREW UNIT V5 ASSY <b>only for EP1222/00 - EP1224/00 - EP2220/10/40 - EP2223/40 - EP2224/19 - EP3226/40</b>	
	421945023671	BLK COF.CONTAIN.BREW UNIT V6 ASSY	only for EP2520/10

**PHILIPS**

**PHILIPS EP CMF SERIES**



**PHILIPS**

EP1220/00/04  
EP2220/10/12/13/14/40  
EP2224/40  
EP2121/62  
EP2020/10  
EP2021/40  
EP3221/40/43/44  
EP2124/62  
EP1221/20  
EP2224/10

EP2520/10  
EP2221/40/43/49  
EP1222/00  
EP1224/00/09  
EP2223/40  
EP2224/19  
EP3226/40  
EP1224/03  
EP1223/00  
EP2124/72/92



Cod. 882870800010-0300-0870-4520  
Cod. 882871110010-2640-0300-4520-3470-4660-0010-0500-0150

Cod. 882872240010-0300-0870  
Cod. 882872962710  
Cod. 882870510870  
Cod. 882870340870  
Cod. 882871540010-0300-3470-4520  
Cod. 882873262710  
Cod. 882873820870  
Cod. 882872210010-0300

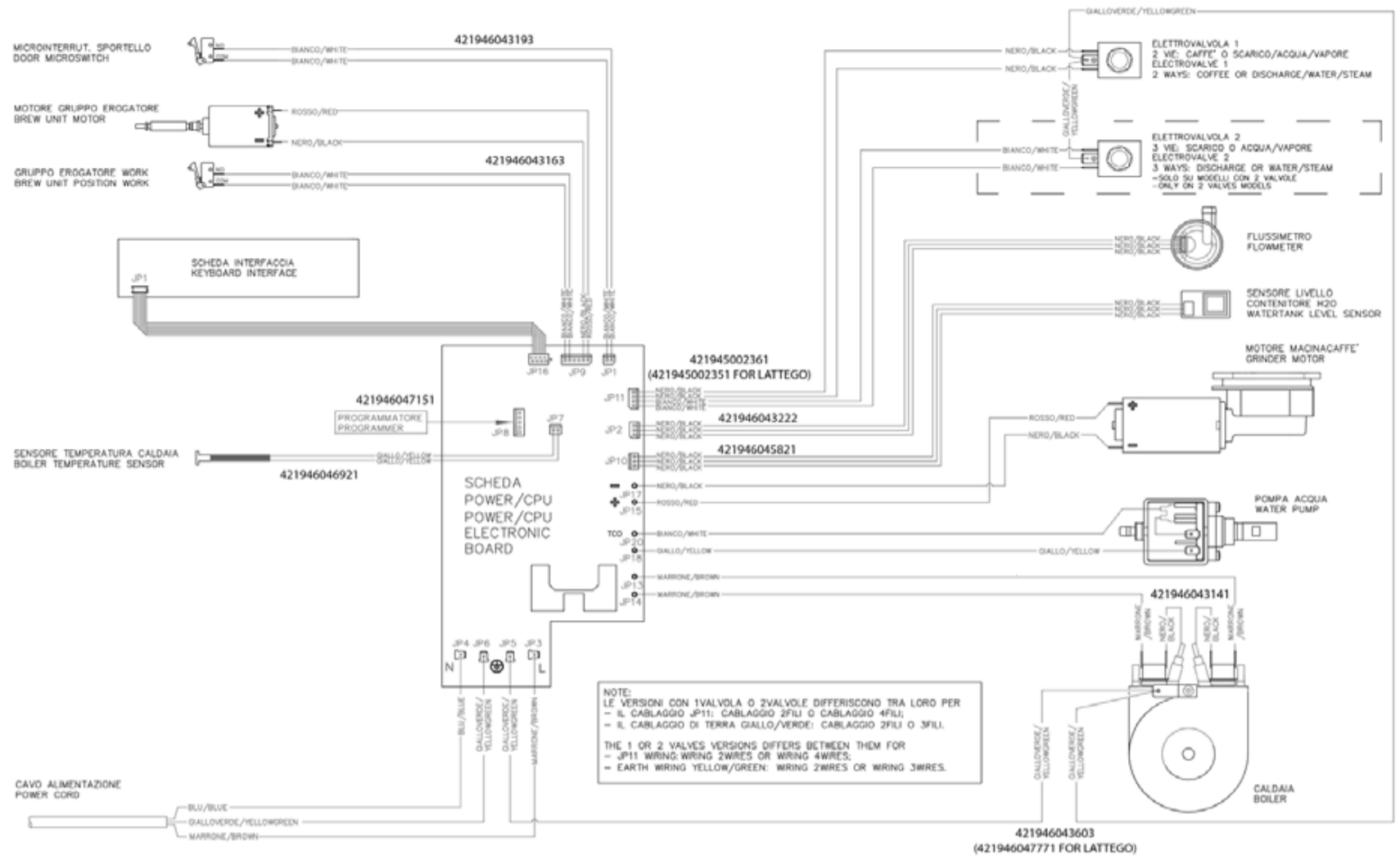
882874010010  
882871240010-0300-3470-9160-0530  
882870700010-0300-0870  
882870600870-0300-0010-9160  
882873940010  
882872219010  
882873540010  
882870603470  
882874200010-0300  
882873272710-92710

POS	12NC	DESCRIPTION	NOTE	POS	12NC	DESCRIPTION	NOTE
626	996530001452 421944091761	BLACK CONNECTING ROD FOR UNIT 8GR. BLK BREW UNIT 8GR.CONNECTING ROD V2 <b>only for EP1222/00 - EP1224/00 - EP2220/10/40 EP2224/19 - EP2223/40 - EP3226/40</b>					
	421941154931	BLK BREW UNIT 8GR.CONNECTING ROD	only for EP1224/09				
	421945023661	BLK BREW UNIT 8GR.CONNECTING ROD V4	only for EP2520/10				
627	996530003228 421944091711	BLACK FRONT PLATE BREW UNIT SMART S.SCR. BLK BREW UNIT FRONT PLATE S/SCR. V2 <b>only for EP1222/00 - EP1224/00 - EP2220/10/40 EP2224/19 - EP2223/40 EP3226/40</b>					
	421941170181	BLK BREW UNIT FRONT PLATE S/SCR.SMART	only for EP1224/09				
628	996530007953	SCREW TCB TORX 10 3,5X20 PLAST.SS					
629	421944081491	BREW UNIT VALVE FTR/B					
630	421945001491	SS.CONICAL SPRING 6BAR					
631	996530059489	OR ORM 0060-10 NBR					
632	421944065811 421945008201 421945020801	GRY BREW UNIT 8GR.INT.PISTON GEN.V3 ASSY GRY BREW UNIT 8GR.INT.PISTON GEN.V4 ASSY GRY BREW UNIT 8GR.INT.PISTON GEN.V3 ASSY <b>only for EP2224/10 - EP2220/10</b>	only for china				
633	996530073426 421944091861 421944079341 421945019401	BLACK BREW UNIT CONVEYOR SLIDE L=56,3 BLK BREW UNIT CONVEYOR SLIDE L=76,8 BLK BREW UNIT CONVEYOR SLIDE L=56,3 V2 <b>only for EP1220/00/04 - EP2220/14 - EP3221/44</b> BLK BREW UNIT CONVEYOR SLIDE L=56,3 <b>only for EP2220/10</b>	only for china				
	421945025202 421945008142	BLK/YLW BREW UNIT 8GR 5BAR OMN BLK/YLW BREW UNIT 8GR 5BAR V2 OMN/CN <b>only for EP2124/72 - EP2124/92</b>					
	421944093343	BLK/YLW BREW UNIT 8GR 5BAR V3 OMN <b>only for EP1224/03 - EP2520/10</b>					

**PHILIPS**

**PHILIPS EP CMF SERIES**





- EP1220/00/04
- EP2220/10/12/13/14/40
- EP2224/40
- EP2121/62
- EP2020/10
- EP2021/40
- EP3221/40/43/44
- EP2124/62
- EP1221/20
- EP2224/10
- EP2520/10
- EP2221/40/43/49
- EP1222/00
- EP1224/00/09
- EP2223/40
- EP2224/19
- EP3226/40
- EP1224/03
- EP1223/00
- EP2124/72/92



- Cod. 882870800010-0300-0870-4520
- Cod. 882871110010-2640-0300-4520-3470-4660-0010-0500-0150
- Cod. 882872240010-0300-0870
- Cod. 882872962710
- Cod. 882870510870
- Cod. 882870340870
- Cod. 882871540010-0300-3470-4520
- Cod. 882873262710
- Cod. 882873820870
- Cod. 882872210010-0300
- 882874010010
- 882871240010-0300-3470-9160-0530
- 882870700010-0300-0870
- 882870600870-0300-0010-9160
- 882873940010
- 882872219010
- 882873540010
- 882870603470
- 882874200010-0300
- 882873272710-92710

**PHILIPS**

POS	12NC	DESCRIPTION	NOTE	POS	12NC	DESCRIPTION	NOTE
	421946045821	3POLES CONN. WATER LEV. CAP. OMN UL					
	421946043222	3POLES CONN. FLOWMETER OMN UL					
	421946043141	1 WIRE CABLE BLACK BOILER OMN					
	421946043163	MICRO+MOTOR BREWUN. V2 OMN UL ASSY.					
	421946043193	CONN.MICROSW.DOOR V3 OMN UL ASSY.					
	421946043603	2 WIRES CABLE BOILER/VALVE EARTH OMN V3					
	421945002361	4P.CONN.1ELECTROV. OMN UL ASSY					
	421946047771	3WIRES CABLE BOILER/VAL./VAL. EARTH OMN					
	421945002351	4P.CONN.2ELECTROV. OMN UL ASSY					
	421946046921	TEMPERATURE SENSOR NTC OMN					
	421946047151	WIRING SERPROG OMN PROGRAMMER ASSY.					

**PHILIPS**

**PHILIPS EP CMF SERIES**

