

PHILIPS EP4010/00



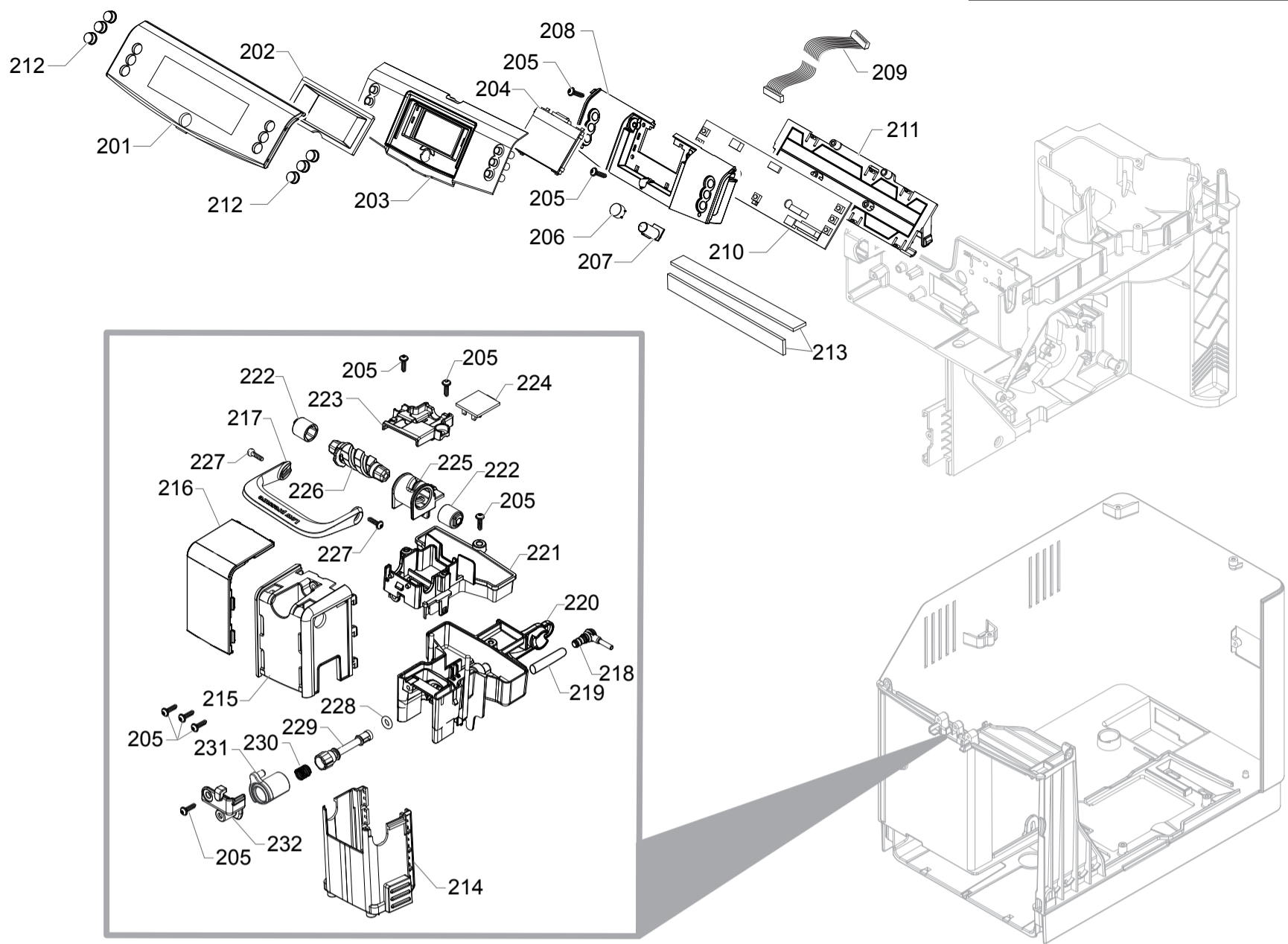
Cod. 88286070010 - 882860700220
Cod. 882860700300 - 882860700870

POS	CODE	12NC	DESCRIPTION	NOTE	POS	CODE	12NC	DESCRIPTION	NOTE
101	127390100	996530011867	BRUSH FOR CLEANING		138	17001065	996530073429	MATT/BLACK RIGHT SIDE DOOR SMR	
102		421944033301	BLK ABS COFFEE MEASURE SMART		139		421944071201	M/BLK UPP.CASING COVER S/SCR.V2 SMRA/H-P	
103	183911050	996530025808	BLK POWER CABLE SCHUKO L=1200		140		242212625104	SWI POW 2P 12A 250V FASTON GP12H B	
104	129913202	996530013156	SCREW TCB TORX 10 3X8 PLAST.ZN-B		141		421944065961	BLK LIDS FIXING INSERT V2 SMR	
105		421946017941	KLUBERLUB NH11 11-222 TUBE 5GR.		142		421944052341	BLW BEAN COFFEE GRINDER INSERT V2 SMR	
106		421940812921	KIT PS-E INSERT FOR BOX SMR		143		421941308121	KIT SPARES BLK DUMP BOX SMR	
107		421946037231	DISPL.BOX V3 SMRA/P PHI4000	REV.04	144		421941308111	KIT SPARES M/BLK DRIP TRAY SMR/B-H-P	
108		421941304791	RED/3003 FLOAT FOR DRIP TRAY XSM		145		421944070662	TR.INN.BEAN COF.C.LID W/SEAL S/SC.V2 SMR	
109	17001568	996530073458	MATT/BLACK DRIP TRAY SMR/B-H-P		146		421944072811	BLK SEAL CONT.LIDS V2 SMR	
110		421944034471	BA/SS GRATE FOR DRIP TRAY SMR/T		147		421944075131	BLK GRIND.ADJUST.KNOB S/SCR.5 POS.SMR	
111		421944014691	M/BLK DRIP TRAY INSERT V2 SMR		148		421944064461	M/BLK CASING V3 SMRA ASSY	
112	12000280	996530007788	CUP SOCKET EN 60320 C 13						
113		421944063131	BLK DUMP BOX INSERT V2 NPR						
114		421944060591	BLK DUMP BOX V2 SMR						
115	17001556	996530073468	TRANSP.SILICONE FOOT SMR						
116	17001025	996530073478	MATT/BLACK FRONT PANEL CAP SMR						
117		421941310291	CPR PHI4000 V2 CMF ASSY.	230V					
118	17001484	996530068728	MATT/BLK REAR CASING PROGRAM.INSERT NPR						
119	0301.961	996530039604	STICKER FOR WATER HARDNESS TEST						
120		421944052271	NAT/GRY WATER CONTAINER SMRG/P-H ASSY						
121	17001366	996530073463	BLACK LID FOR DUCKBILL VALVE SMR						
122	11003671	996530001829	TRANSP.VALVE FOR WATER CONTAINER P0049						
123		421941157852	GRY WATER CONTAINER VALVE INSERT P0049						
124	11003672	996530001831	SS SPRING FOR WATER CONTAIN.VALVE P0049						
125	140328461	996530013571	OR ORM 0190-10 EPDM						
126	224640200	996530029115	WHITE WATER CONTAINER EXT.FILTER ASSY.						
127	17001322	996530073442	BLACK WATER CONTAINER HANDLE SMR						
128	17001474	996530073436	BLACK WATER LEVEL SENSOR SUPPORT SMR						
129		421941306721	CPU+SW WATER LEVEL SENSOR V3 ASSY.						
130		421946035161	3P.CONN.WATER LEVEL V2 SMR UL ASSY						
131	12001728	996530070321	SCREW TCB TORX 10 3,5X12 PLAST.SS						
132		421944065951	BLK WATER CONTAINER LID V3 SMR						
133		421944040481	TRANSP/GRY GROUND COF.HOPPER LID SMRA						
134		421944065941	BLK BEAN COF.CONT.LID V3 SMR/B-H-P						
135	11031523	996530073462	BLACK INFRAREDS PLATE RYL						
136	9161.111	996530050555	MAGNET FOR FLOAT SUPERAUT.						
137	11013220	996530069857	STEEL PLATE FOR DOOR MAGNET XSM						

PHILIPS

PHI 4000 CMF

TABLE 1/6

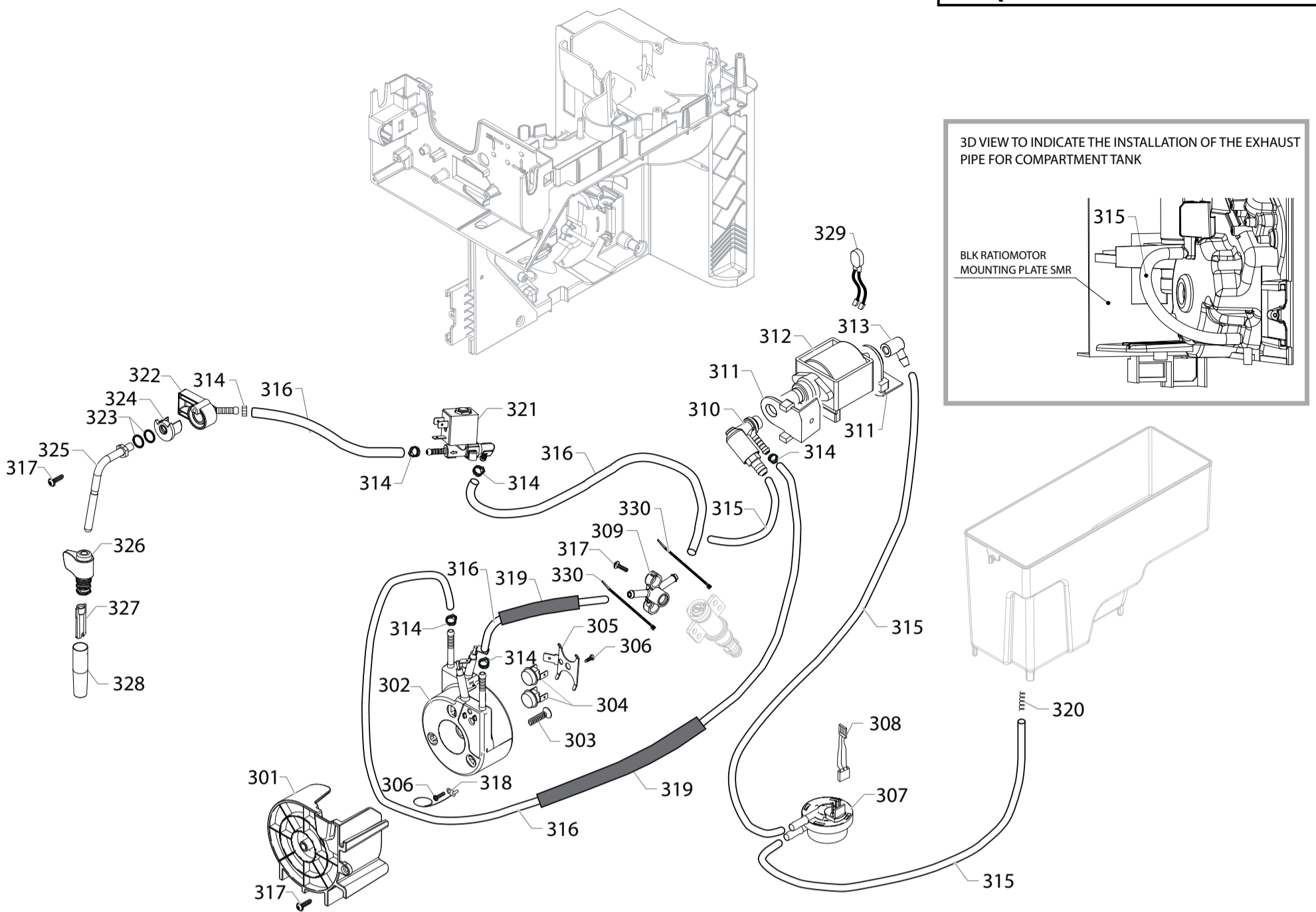


PHILIPS EP4010/00



Cod. 88286070010 - 882860700220
Cod. 882860700300 - 882860700870

POS	CODE	12NC	DESCRIPTION	NOTE	POS	CODE	12NC	DESCRIPTION	NOTE
201		421944074441	DISPLAY FRONT PANEL S/SCR."B" BLK SMRA/P						
202	17001270	996530073484	BLACK DISPLAY FRAME SMR						
203		421944040492	BLK FRONT PANEL MEMBRANE V2 SMRA/H-P-T						
204		421941307861	DISPLAY HIGO FL						
205	12000450	996530007819	SCREW TCBR TORX 10 3,5X12 PLAST.ZN-N						
206	11030953	996530073434	TRANSP.STAND-BY BUTTON S/SCR.SMR						
207	17002075	996530073441	WHITE STAND-BY BUTTON LIGHT GUIDE SMR						
208		421944040471	BLK DISPLAY SUPPORT SMRA						
209	11005128	996530002766	16POLES CPU-USER INTERF.FLAT CABLE P0057						
210		421941307541	KYB SMR ABS						
211	17000704	996530073485	BLACK DISPLAY KEYBOARD SUPPORT SMR						
212		421944042441	CHR INTERFACE BUTTON S/SCR.SMRA						
213		421944008251	BLK ADH.AERSTOP SMR						
214		421944043291	M/BLK COF.DISPEN.MOBILE PART SMRA ASSY.						
215		421944040311	BLK COFFEE DISP.LID SMRA						
216		421944036131	CHROM.COFF.DISPEN.FRONT PLATE SMRAP-H-T						
217		421944036141	CHR.CREAM ADJUSTMENT LEVER SMRA						
218	17001849	996530073464	BLK BREW UNIT COFFEE OUTLET CONNECT.SMR						
219	149360200	996530018269	SILICONE TUBE 5X8 70SR	IN ROLL					
220		421944039951	BLK COFF.DISP.BODY SMRA						
221		421944040241	BLK COFFEE DISP.BODY LID SMRA						
222		421944050611	BLK CREAM ADJUST.LEVER INSERT V2 SMRA						
223		421944040361	ADJUSTMENT CREAM BOARD SUPP.SMRA						
224		421941310071	SELECTION DRIP-ESPRESSO BOARD SMR V2						
225		421941292681	BLK CREAM ADJUSTMENT SLIDE SMR						
226		421941292691	BLK CREAM ADJUSTMENT SCREW SMR						
227	WGA4326038000	996530063583	SCREW TSP 3,5X16 INOX						
228	140326661	996530013546	OR ORM 0040-20 BLACK EPDM						
229		421944007491	WHT CREAM ADJUSTMENT SHAFT SMR						
230	126772518	996530011711	SS COFF.CREAM ADJUSTMENT SHAFT SPRING						
231		421941292331	BLK CREAM ADJUSTMENT KNOB SMR						
232		421941293051	BLK CREAM ADJUSTMENT KNOB INSERT SMR						



PHILIPS EP4010/00



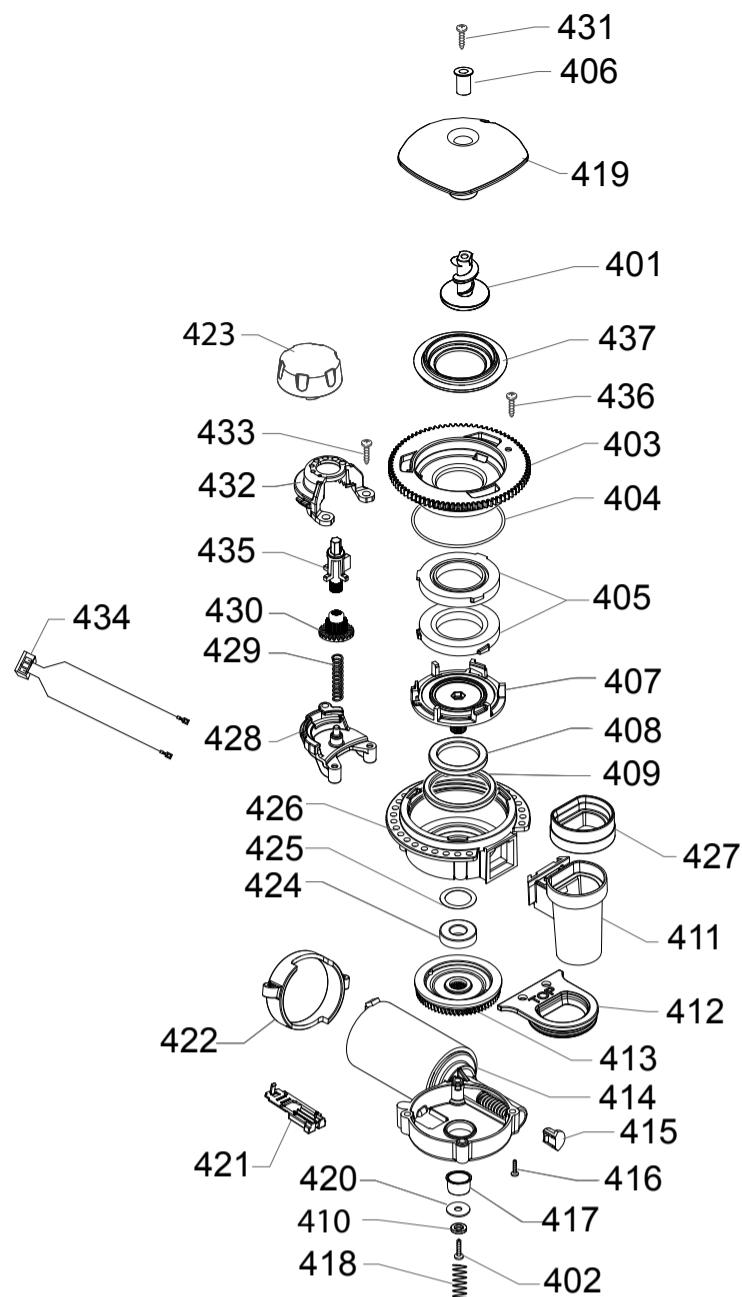
Cod. 88286070010 - 882860700220
Cod. 882860700300 - 882860700870

POS	CODE	12NC	DESCRIPTION	NOTE	POS	CODE	12NC	DESCRIPTION	NOTE
301		421944040831	BLK SLIM TUB.BOILER SUPPORT V2 SMR						
302		421944028841	TUB.BOILER XS4 ASSY	230V -1900W					
303	12001280	996530008024	SCREW TSP TORX 10 5X20 PLAST.ZN-B						
304	12001033	996530007973	THERMOSTAT ONE SHOT 190°						
305	11001751	996530000997	TUB.BOILER V3 UPPER THERM.FIXING SPRING						
306	12001715	996530069758	SCREW TCB TORX 20 M4X8 AUTOFORMING ZN-B						
307	NV99.099	996530059843	TURBINE D=1,2 932-8521/00 ASSY.						
308	17800686	996530073488	3POLES CONNECTOR FLOWMETER SMR UL						
309		421944069751	BLK CONNECTOR FOR PIN BOILER V3 SMR						
310	11004689	996530002484	TEA/BRASS SAFETY VALVE 16-18 BAR ASSY.						
311	149205850	996530018056	BLACK TYPE ULKA PUMP W/BEVEL SUPPORT						
312	12000140	996530007753	ULKA PUMP EP5/S GW	230V-50HZ					
313	11002149	996530001186	BLACK PUMP OUTLET 90°CONNECTOR P0049/A						
314	12000096	996530007742	OETIKER CLAMP D=9,5 15400022						
315	JS01.022	996530057357	SILICONE TUBE 5X10 60SH	IN ROLL					
316	16000380	996530009505	PINK 5X8,9 SILICONE TUBE	IN ROLL					
317	12000450	996530007819	SCREW TCB TORX 10 3,5X12 PLAST.ZN-N						
318	17800628	996530073428	TEMPERATURE SENSOR NTC UL L=550MM						
319	16000540	996530009523	TRANSPAR.11X12,8 SILICONE TUBE	IN ROLL					
320	0701.081	996530073439	SPRING FOR TUBE PRODUCT 1						
321		421944029371	SOLENOID VALVES V2 SMR/T 24V ASSY.						
322	17001029	996530073457	STEAM TUBE SUPPORT SMR						
323	140324461	996530013509	OR ORM 0060-20 TERMOIL						
324	17001028	996530073456	BLACK BUSH FOR STEAM TUBE SMR						
325	11030926	996530073447	TF/CHROM.STEAM TUBE SMR ASSY.						
326		421941300671	BLK/SIL.STEAM TUBE HANDGRIP G0053						
327	11001620	996530000925	BLACK PANNARELLO INNER TUBE P0049						
328	11001621	996530000926	SS PANNARELLO COVER P0049						
329	17800635	996530074282	2P.CONN.PUMP SMR UL ASSY.						
330		242201520471	CABLE TIE PA66 BK 3.5X140 5309 B						
		421944046301	GEN.TUB.BOILER XS4 1900W 230V ASSY.	COMPLETE					

PHILIPS

PHI 4000 CMF

TABLE 3/6



PHILIPS EP4010/00



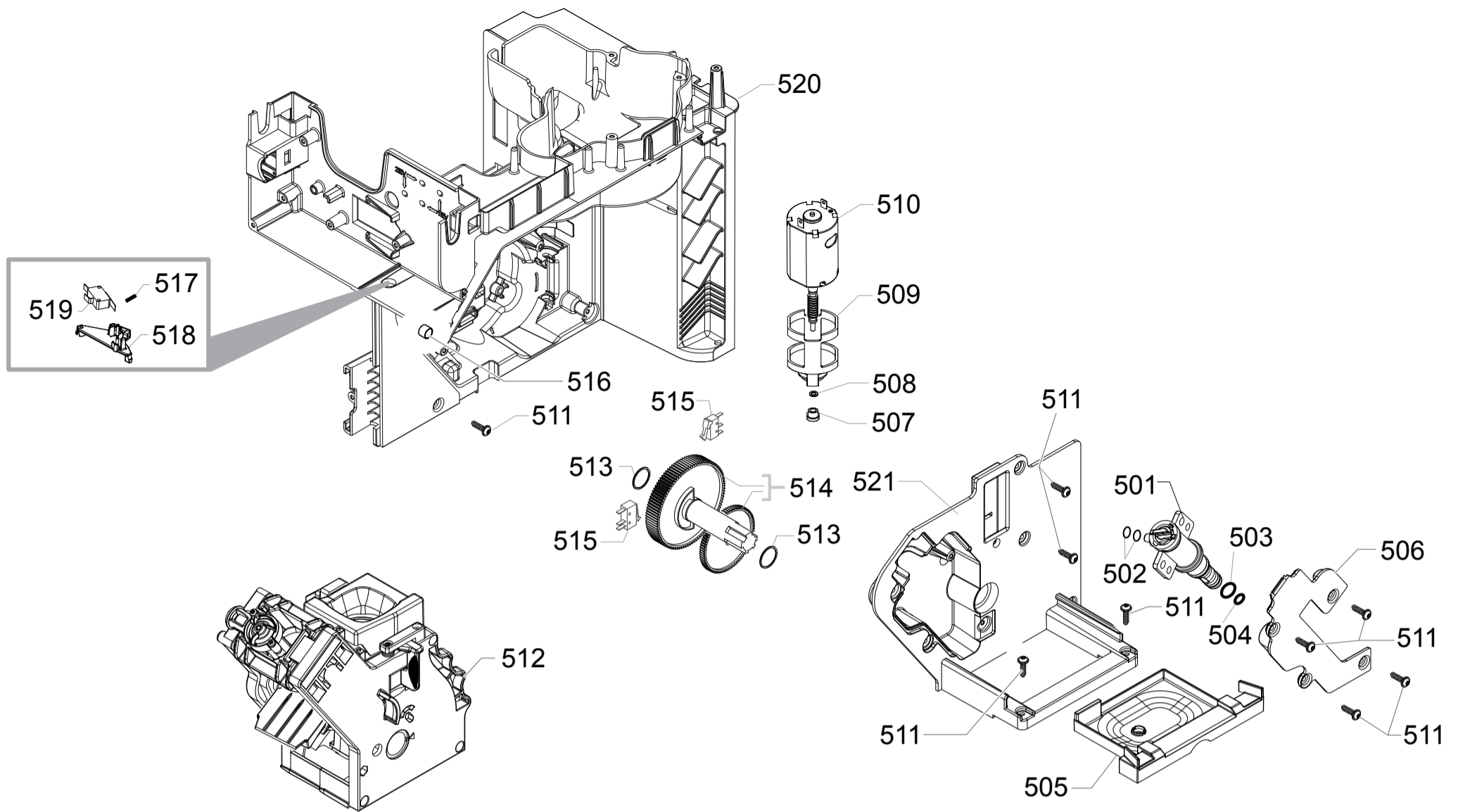
Cod. 882860700010 - 882860700220
Cod. 882860700300 - 882860700870

POS	CODE	12NC	DESCRIPTION	NOTE	POS	CODE	12NC	DESCRIPTION	NOTE
401	11010031	996530005586	TEA/ZAMA INCREASE SCREW GRINDER		437		421941085872	COFFEE GRINDER SEAL P119 GRY 7035	
402	129574802	996530012928	SCREW TCB TORX 20 M4X30 ZN-B				421944054631	GEN.MOTOR COF.GRINDER V2 SMR/B 230V ASSY	
403		421944053581	BLK COF.GRINDER UPPER GRINDER SUPPORT V3						
404	140328960	996530013577	OR ORM 0530-15 NBR FDA						
405	146520100	996530016342	BAKED CLAY GRINDER 48X28						
406	11012466	996530006412	BRASS BUSH BEAN CONT.FINGER PROTEC.P0057						
407	149198350	996530017952	BLK LOWER COFFEEGRINDER GRINDER SUPPORT						
408	123030300	996530011183	AXIAL BEARING EKKO 342.35252						
409	140360500	996530013597	FELT RING 45,4X39,4X4						
410	128310402	996530012341	GALV.WASHER UNI 8842 A4						
411	11026355	996530068049	BLK GROUND COFF.OUTLET CONVEYOR V4 ASSY.						
412		421944060561	GRY GROUND COF.CONT.LOWER SEAL V2 SMART1						
413	226000300	996530029609	GEAR SX Z=38 FOR GRINDER MOTION ASSY.						
414		421944049151	MOTOR COFFEEGRINDER V3.2 230V ASSY.	230V					
415	149214800	996530018139	MC V3 MOD=1,25 WORM SCREW CENTRING CAP						
416	129661702	996530012992	SCREW TCB TORX 3,5X30 PLAST.ZN-B						
417	11002873	996530001389	INSULATOR BUSH FOR GRINDER MOTOR P124						
418	11000597	996530000376	STEEL COF.GRINDER SUPPORT SPRING P124						
419	17001008	996530073467	TRANS.BEAN CONTAIN.FINGER PROTECT.SMR UL						
420	128381902	996530012375	STEEL FLAT WASHER DI=4,3 DE=14 SP=1,5						
421	149199050	996530017963	BLK SENSOR SUPPORT FOR COF.GRINDER MOTOR						
422	11000194	996530000115	BLACK COFFEEGRINDER MOTOR SUPPORT P124						
423		421944075131	BLK GRIND.ADJUST.KNOB S/SCR.5 POS.SMR						
424	123030200	996530011182	RADIAL BEARING 61900.2RS1						
425	128381800	996530012374	STEEL CRINKLE WASHER 21,8X14X0,25						
426	142905450	996530015258	BLK UPPER BODY WITH COFFEE GROUND OUTLET						
427	145854360	996530015958	BLK GROUND COFFEE CONT.UPPER SEAL SMART1						
428	11002613	996530001314	LOWER COFFEEGRINDER GEAR SUPPORT P124						
429	11002572	996530001308	COFFEEGRINDER REGULATION SPRING P124						
430	11003784	996530001907	COFFEE GRINDING ADJUSTMENT GEAR P0049						
431	U043.004	996530061808	ZN-B TCB TORX 20 M4X16 ZN-B						
432	11002508	996530001296	UPPER COFFEEGRINDER GEAR SUPPORT P124						
433	129914002	996530013165	SCREW TCB TORX 10 3,5X16 PLAST.ZN-B						
434	17800688	996530073454	2POLES CONNET.COFFEEGRINDER MOTOR SMR UL						
435		421944052341	BLW BEAN COFFEE GRINDER INSERT V2 SMR						
436	12001622	996530068586	SCREW TCB TORX B 3,5X9,5 SCHEET NIK						

PHILIPS

PHI 4000 CMF

TABLE 4/6



PHILIPS EP4010/00



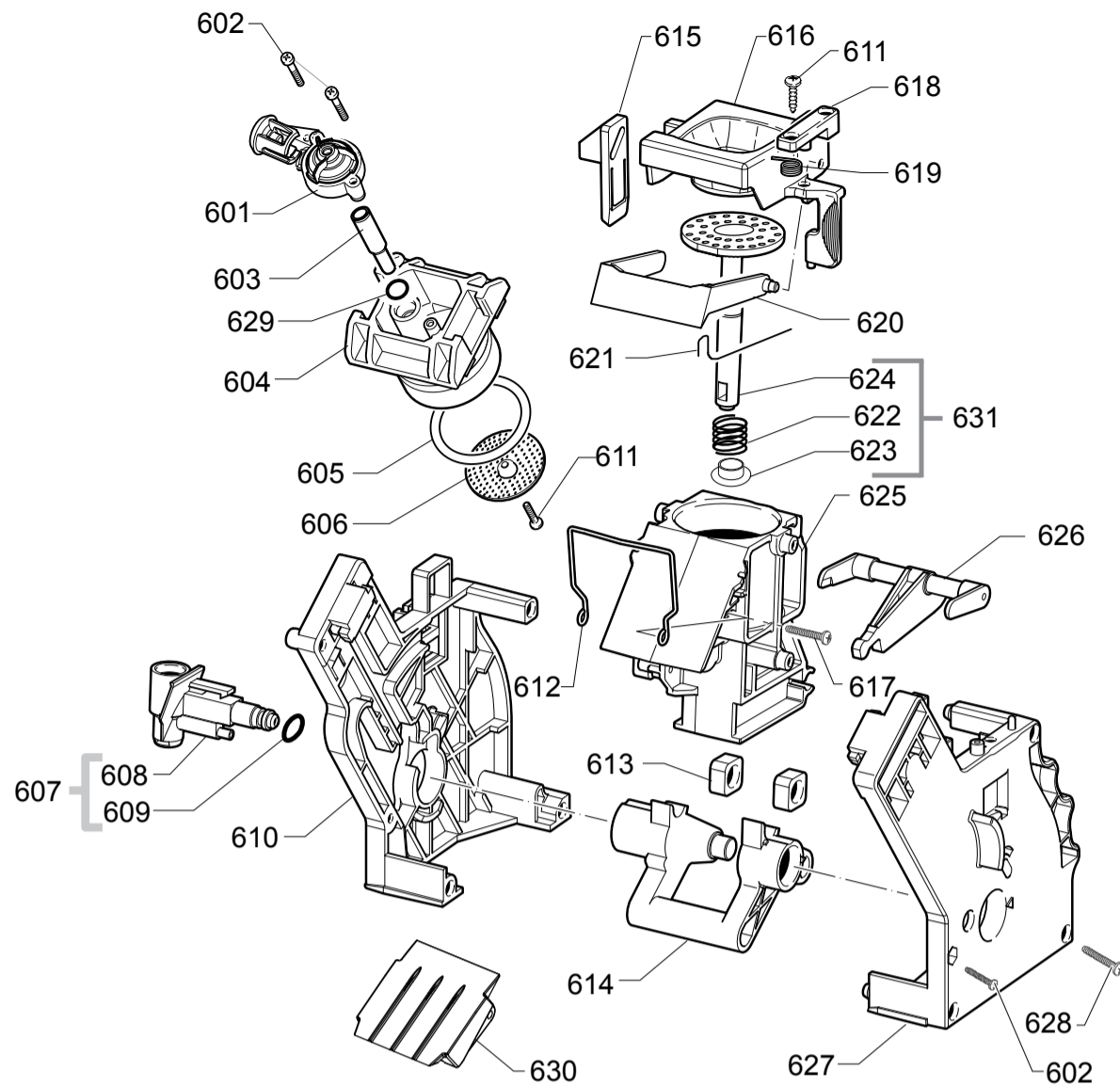
Cod. 88286070010 - 882860700220
Cod. 882860700300 - 882860700870

POS	CODE	12NC	DESCRIPTION	NOTE	POS	CODE	12NC	DESCRIPTION	NOTE
501		421946011491	BLK PIN FOR BOILER VALVE 4BAR ASSY.						
502	140328059	996530013564	OR 2015 SILICONE PTFE/FDA						
503	NM01.035	996530059399	OR ORM 0090-20 SILICONE						
504	NM01.057	996530059419	OR ORM 0050-20 IN SILICONE						
505		421944062701	BLK BREW UNIT DRAWER COFFEE V2 SMR						
506	17000730	996530074054	BLACK BOILER SEAT PIN COVER SMR						
507	9121.046	996530049898	BRONZE SINTERED BUSH FOR MOTOR RATIOMOT.						
508	148380200	996530017424	BAKELIZZATE WASHER D=5,5						
509	9121.044	996530049896	ANTIVIBRATION FOR MOTOR						
510	11005214	996530002796	MOTOR FOR RATIOMOTOR P124 ASSY.						
511	12001728	996530070321	SCREW TCBR TORX 10 3,5X12 PLAST.SS						
512		421944052451	BLK/YLW BREW UNIT 8GR.8BAR V3 SBS SMR						
513	9161.132	996530050569	MYLAR WASHER FOR RATIOMOTOR						
514	20000900	996530009913	SPARES KIT GEARS FOR RATIOMOTOR V2						
515		421946025541	MICROSWITCH XC/SM1 V2						
516	9161.111	996530050555	MAGNET FOR FLOAT SUPERAUT.						
517		421944006861	STEEL SPRING FOR MICRO COMPENSATOR SMR						
518	17001508	996530073469	BLACK MICRO COMPENSATOR SMR						
519	12001890	996530073209	MICROSWITCH XG/V3D						
520		421944043602	BLK RATIOMOTOR MOUNTING PLATE V2 SMRG AS						
521		421941287512	BLK RATIOMOT.MOUNTING PLATE COVER V2 SMR						

PHILIPS

PHI 4000 CMF

TABLE 5/6


PHILIPS EP4010/00

 Cod. 88286070010 - 882860700220
 Cod. 882860700300 - 882860700870

POS	CODE	12NC	DESCRIPTION	NOTE	POS	CODE	12NC	DESCRIPTION	NOTE
601	11002154	996530001192	SBS VALVE P124 ASSY.						
602	12000550	96530007838	SCREW TCB TORX 10 3X25 PLAST.SS						
603	11009276	996530005372	BLK COUNTER PISTON TUBE BREW UNIT S0053						
604	11001840	996530001046	BLACK COUNTER PISTON BREW UNIT 8GR.P124						
605	NM01.044	996530059406	OR ORM 0320-40 SILICONE PTFE/FDA						
606	9161.268	996530050709	PERCOLATOR DE=35,8 ELFO						
607	20000440	996530009825	BLACK WATER INLET SLEEVE BREW UNIT ASSY.						
608	9161.064.050	996530050488	BLACK WATER INLET SLEEVE BREW UNIT ROYAL						
609	NM02.007	996530059441	OR 2025 IN TERMOIL						
610	9161.375.050	996530050832	BLACK BREW UNIT REAR PLATE SMART						
611	12000895	996530007951	SCREW TSP TORX 10 3X10 PLAST.SS						
612	11001556	996530000898	SS BREW UNIT SPRING H=49 SMART						
613	9161.094.150	996530050541	GREY BREW UNIT DRILLED BLOCK						
614		421944051231	YLW BREW UNIT ELBOW SHAFT M5000						
615		421944046931	YLW BREW UNIT COUPLING PLATE V2 SMART						
616	149261350	996530018241	BLACK HOPPER DOSER BREW UNIT SMART1						
617	129912521	996530013148	SCREW TCB TORX 10 3,5X14 PLAST.SS						
618		421944050711	YLW BREW UNIT HOPPER BLOCKING PLATE SMART						
619	9161.378	996530050838	SS HOPPER SPRING FOR BREW UNIT SMART						
620	11004161	996530002096	BLACK SCRAPER FOR BREW UNIT M5000						
621	9161.046	996530050455	SS SCRAPER SPRING FOR BREW UNIT						
622	9161.198	996530050627	SS.8GR.BREW UNIT PISTON SPRING						
623	9161.191	996530050618	WHITE 8GR.-12GR.BREW UNIT PISTON BUSH						
624		421944065791	GRY BREW UNIT INTEGR.PISTON 8GR.V3 ASSY						
625		421944040801	BLK BREW UNIT COFFEE CONT.V2 P124 ASSY.						
626	11003078	996530001452	BLACK CONNECTING ROD BREW UNIT 8GR.						
627	11005920	996530003228	BLACK BREW UNIT FRONT PLATE S/SCR.SMART						
628	12000897	996530007953	SCREW TCB TORX 10 3,5X20 PLAST.SS						
629	140328761	996530013575	OR ORM 0060-15 TERMOIL						
630	17000737	996530073426	BLACK BREW UNIT CONVEYOR SLIDE L=56,3						
631		421944065811	GRY BREW UNIT 8GR.INT.PISTON GEN.V3 ASSY						
		421944052451	BLK BREW UNIT 8GR.8BAR V3 SBS SMR						

PHILIPS
PHI 4000 CMF
TABLE 6/6