

PHILIPS

**EP4050/10
EP4051/10**

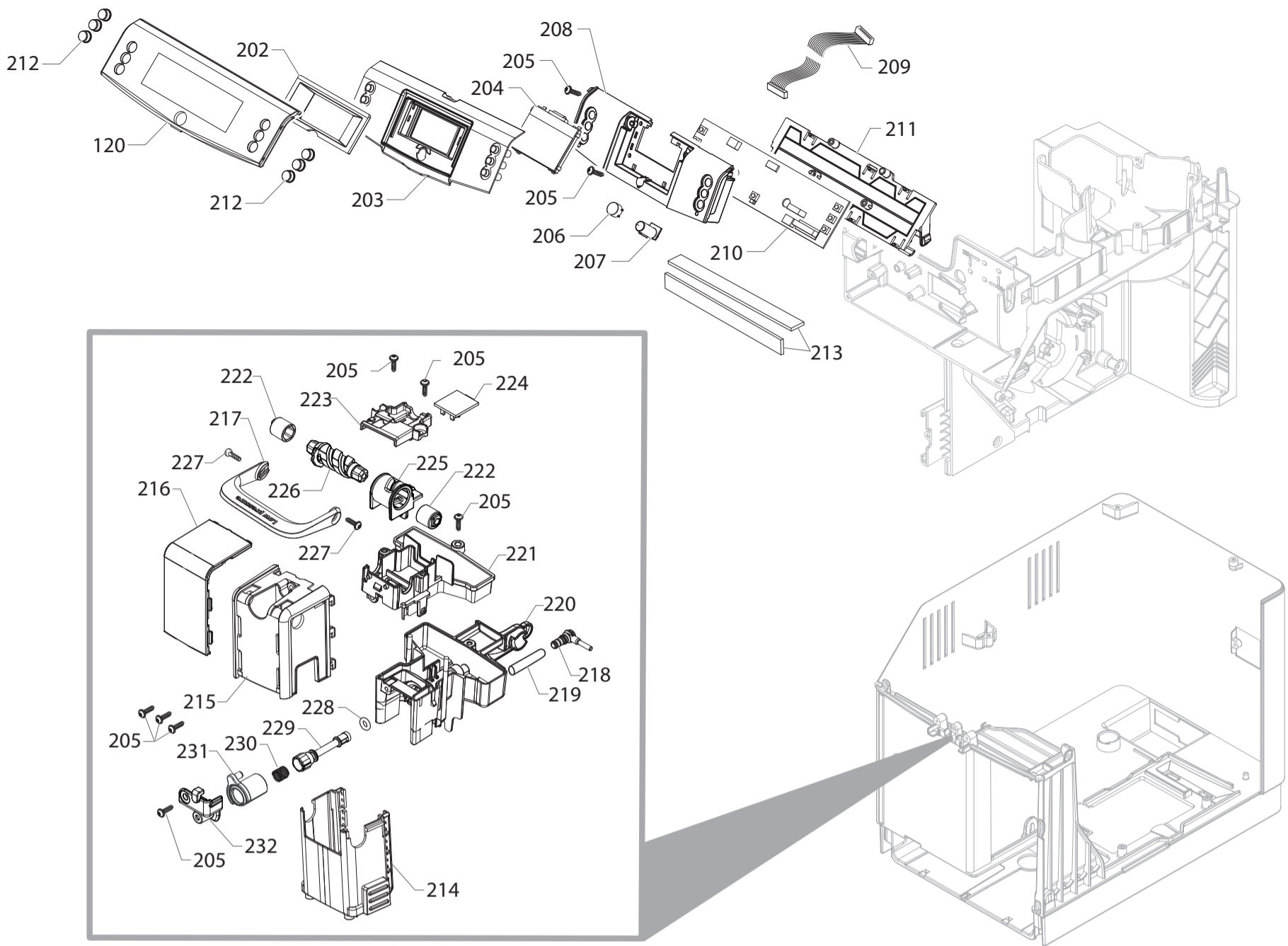


**Cod. 882860910010 - 882860910220 - 882860910300 - 882860910870
Cod. 882861410010 - 882861410220**

POS	CODE	12NC	DESCRIPTION	NOTE	POS	CODE	12NC	DESCRIPTION	NOTE
101	127390100	996530011867	BRUSH FOR CLEANING		137	11013220	996530069857	STEEL PLATE FOR DOOR MAGNET XSM	
102		421944033301	BLK ABS COFFEE MEASURE SMART		138		421944074411	M/SIL RIGHT SIDE DOOR SMR	
103	183911050	996530025808	BLK POWER CABLE SCHUKO L=1200		139		421946037161	M/SIL UPP.CASING COVER S/SCR.V2 SMRA/T	
104	129913202	996530013156	SCREW TCB TORX 10 3X8 PLAST.ZN-B		140		242212625104	SWI POW 2P 12A 250V FASTON GP12H B	
105		421946017941	KLUBERLUB NH1 11-222 TUBE 5GR.		141	0301.961	996530039604	STICKER FOR WATER HARDNESS TEST	
106		421940812921	KIT PS-E INSERT FOR BOX SMR		142	17001506	996530073635	BLK DRIP TRAY LOCKING RIGHT INSERT SMR/T	
107		421946037241	DISPL.BOX V3 SMRA/T PHI 4000	REV.04	143	17001507	996530073642	BLK DRIP TRAY LOCKING LEFT INSERT SMR/T	
108		421941304791	RED/3003 FLOAT FOR DRIP TRAY XSM		144		421944065961	BLK LIDS FIXING INSERT V2 SMR	
109		421944071411	G/GRY DRIP TRAY SMRG/T ASSY		145		421941310521	KIT SPARES GRY DRIP TRAY SMRG/T	
110		421944034471	BA/SS GRATE FOR DRIP TRAY SMR/T		146		421941308121	KIT SPARES BLK DUMP BOX SMR	
111		421944074341	M/SIL DRIP TRAY INSERT V2 SMR		147		421944052341	BLW BEAN COFFEE GRINDER INSERT V2 SMR	
112	12000280	996530007788	CUP SOCKET EN 60320 C 13		148		421944072811	BLK SEAL CONT.LIDS V2 SMR	
113		421944063131	BLK DUMP BOX INSERT V2 NPR		149		421944074311	MATT/SIL CASING V3 SMRA ASSY	
114		421944060591	BLK DUMP BOX V2 SMR		150		421944075131	BLK GRIND.ADJUST.KNOB S/SCR.5 POS.SMR	
115	17001556	996530073468	TRANSP.SILICONE FOOT SMR						
116		421944070662	TR.INN.BEAN COF.C.LID W/SEAL S/SC.V2 SMR						
117		421941310271	CPR PHI4000 V2 OTCB 230V ASSY.	EP4050/10					
		421941310251	CPR PHI4000 V2 OTCA 230V ASSY.	EP4051/10					
118		421944074401	M/SIL REAR CASING PROGRAM.INSERT NPR						
119	11000759	996530000487	HOT WATER TUBE SPRING P124						
120		421944052271	NAT/GRY WATER CONTAINER SMRG/P-H ASSY						
121	17001366	996530073463	BLACK LID FOR DUCKBILL VALVE SMR						
122	11003671	996530001829	TRANSP.VALVE FOR WATER CONTAINER P0049						
123		421941157852	GRY WATER CONTAINER VALVE INSERT P0049						
124	11003672	996530001831	SS SPRING FOR WATER CONTAIN.VALVE P0049						
125	140328461	996530013571	OR ORM 0190-10 EPDM						
126	224640200	996530029115	WHITE WATER CONTAINER EXT.FILTER ASSY.	WITH PART N.25					
127	17001322	996530073442	BLACK WATER CONTAINER HANDLE SMR						
128	17001474	996530073436	BLACK WATER LEVEL SENSOR SUPPORT SMR						
129		421941306721	CPU+SW WATER LEVEL SENSOR V3 ASSY.						
130		421946035161	3P.CONN.WATER LEVEL V2 SMR UL ASSY						
131	12001728	996530070321	SCREW TCB TORX 10 3,5X12 PLAST.SS						
132		421944074391	M/SIL WATER CONTAINER LID V3 SMR						
133		421944040481	TRANSP/GRY GROUND COF.HOPPER LID SMRA						
134		421944074371	M/SIL BEAN COF.CONT.LID V3 SMR/B-H-P						
135	11031523	996530073462	BLACK INFRAREDS PLATE RYL						
136	9161.111	996530050555	MAGNET FOR FLOAT SUPERAUT.						

PHILIPS

PHI 4000 OTC



PHILIPS

**EP4050/10
EP4051/10**

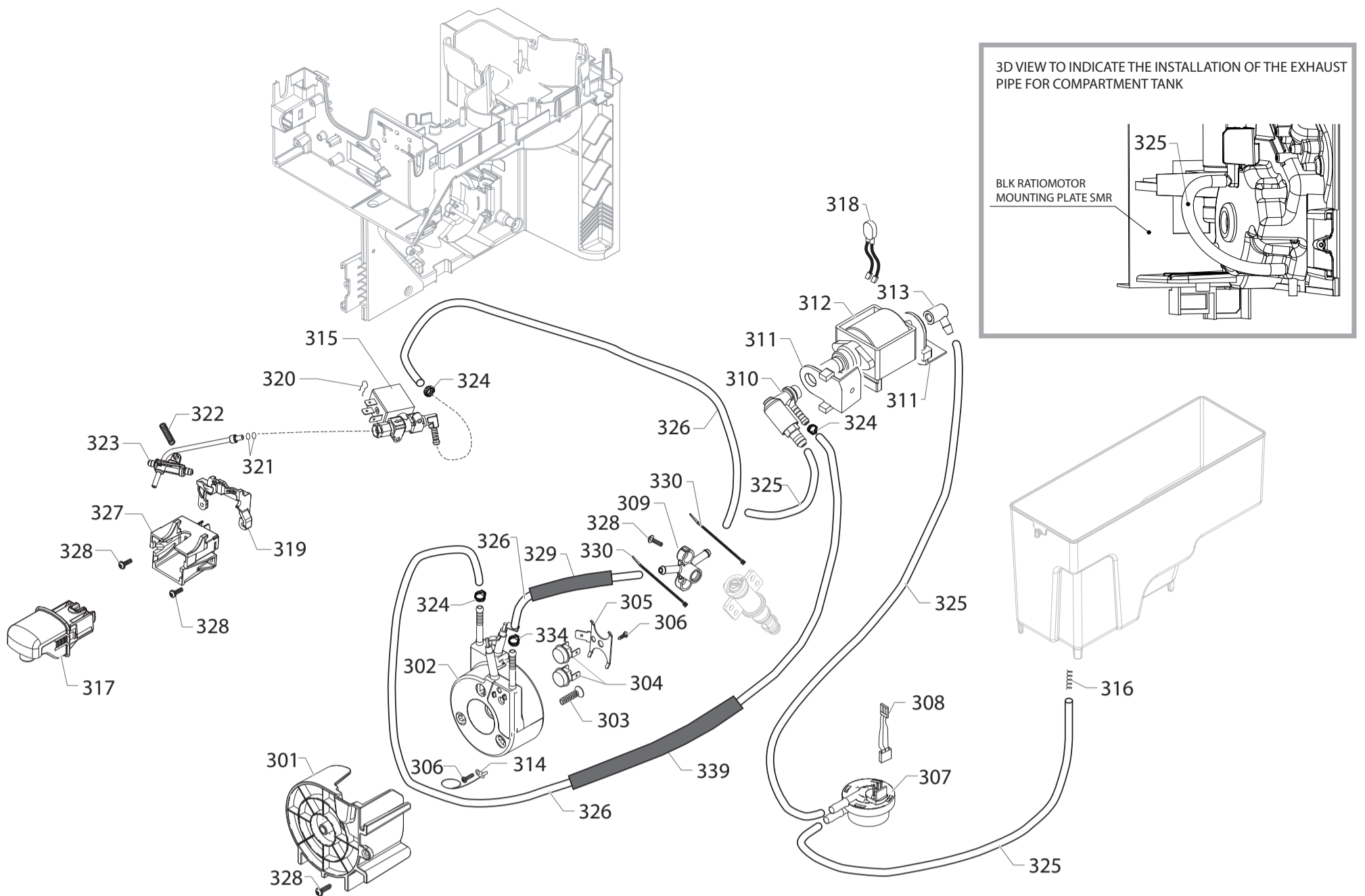


**Cod. 882860910010 - 882860910220 - 882860910300 - 882860910870
Cod. 882861410010 - 882861410220**

POS	CODE	12NC	DESCRIPTION	NOTE	POS	CODE	12NC	DESCRIPTION	NOTE
201		421944071721	DISPLAY FRONT PANEL S/SCR."C" BLK SMRA/T	EP4050/10					
		421944071701	DISPLAY FRONT PANEL S/SCR."B" BLK SMRA/T	EP4051/10					
202	17001270	996530073484	BLACK DISPLAY FRAME SMR						
203		421944040492	BLK FRONT PANEL MEMBRANE V2 SMRA/H-P-T						
204		421941307861	DISPLAY HIGO FL						
205	12000450	996530007819	SCREW TCBR TORX 10 3,5X12 PLAST.ZN-N						
206	11030953	996530073434	TRANSP.STAND-BY BUTTON S/SCR.SMR						
207	17002075	996530073441	WHITE STAND-BY BUTTON LIGHT GUIDE SMR						
208		421944040471	BLK DISPLAY SUPPORT SMRA						
209	11005128	996530002766	16POLES CPU-USER INTERF.FLAT CABLE P0057						
210		421941307541	KYB SMR ABS						
211	17000704	996530073485	BLACK DISPLAY KEYBOARD SUPPORT SMR						
212		421944042441	CHR INTERFACE BUTTON S/SCR.SMRA						
213		421944008251	BLK ADH.AERSTOP SMR						
214		421944043291	M/BLK COF.DISPEN.MOBILE PART SMRA ASSY.						
215		421944040311	BLK COFFEE DISP.LID SMRA						
216		421944036131	CHROM.COFF.DISPEN.FRONT PLATE SMRA/P-H-T						
217		421944036141	CHR.CREAM ADJUSTMENT LEVER SMRA						
218	17001849	996530073464	BLK BREW UNIT COFFEE OUTLET CONNECT.SMR						
219	149360200	996530018269	SILICONE TUBE 5X8 70SR	IN ROLL					
220		421944039951	BLK COFF.DISP.BODY SMRA						
221		421944040241	BLK COFFEE DISP.BODY LID SMRA						
222		421944050611	BLK CREAM ADJUST.LEVER INSERT V2 SMRA						
223		421944040361	ADJUSTMENT CREAM BOARD SUPP.SMRA						
224		421941310071	SELECTION DRIP-ESPRESSO BOARD SMR V2						
225		421941292681	BLK CREAM ADJUSTMENT SLIDE SMR						
226		421941292691	BLK CREAM ADJUSTMENT SCREW SMR						
227	WGA4326038000	996530063583	SCREW TSP 3,5X16 INOX						
228	140326661	996530013546	OR ORM 0040-20 BLACK EPDM						
229		421944007491	WHT CREAM ADJUSTMENT SHAFT SMR						
230	126772518	996530011711	SS COFF.CREAM ADJUSTMENT SHAFT SPRING						
231		421941292331	BLK CREAM ADJUSTMENT KNOB SMR						
232		421941293051	BLK CREAM ADJUSTMENT KNOB INSERT SMR						

PHILIPS

PHI 4000 OTC



PHILIPS

EP4050/10
EP4051/10



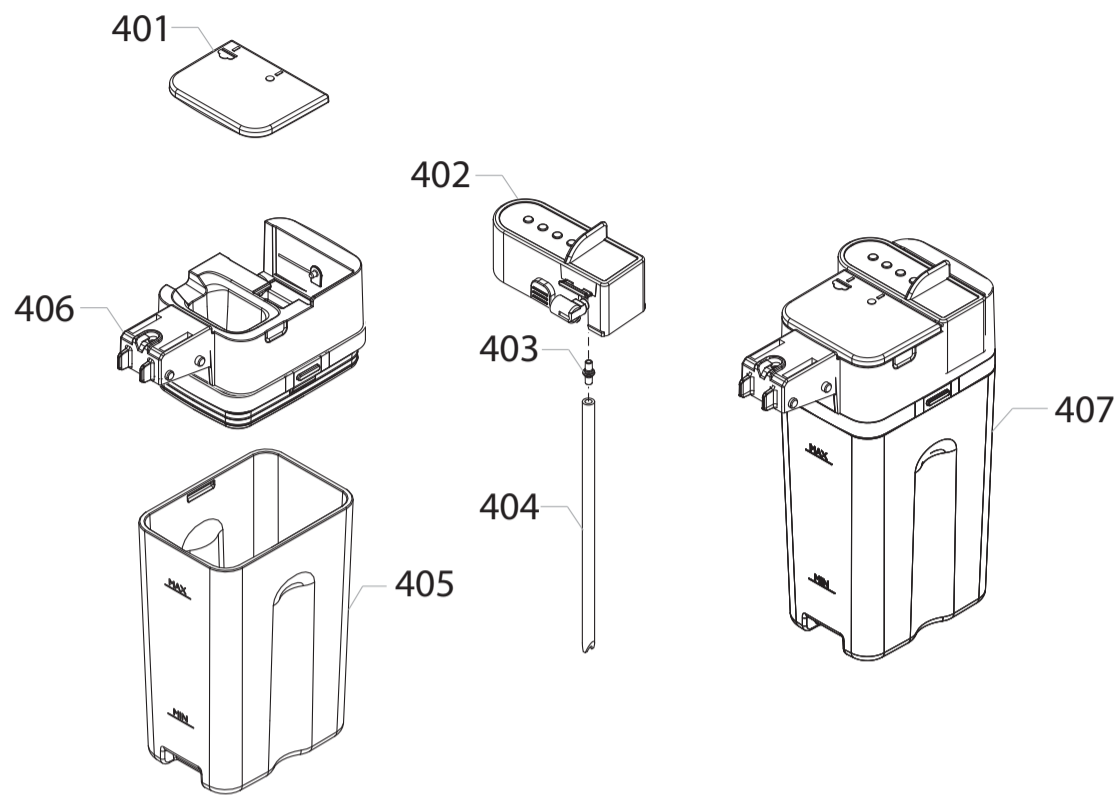
Cod. 882860910010 - 882860910220 - 882860910300 - 882860910870
Cod. 882861410010 - 882861410220

POS	CODE	12NC	DESCRIPTION	NOTE	POS	CODE	12NC	DESCRIPTION	NOTE
301		421944040831	BLK SLIM TUB. BOILER SUPPORT V2 SMR						
302		421944028841	TUB. BOILER XS4 ASSY.	230V 1900W					
303	12001280	996530008024	SCREW TSP TORX 10 5X20 PLAST.ZN-B						
304	12001033	996530007973	THERMOSTAT ONE SHOT 190°						
305	11001751	996530000997	TUB. BOILER V3 UPPER THERM. FIXING SPRING						
306	12001715	996530069758	SCREW TCB TORX 20 M4X8 AUTOFORMING ZN-B						
307	NV99.099	996530059843	TURBINE D=1,2 932-8521/00 ASSY.						
308	17800686	996530073488	3POLES CONNECTOR FLOWMETER SMR UL						
309		421944069751	BLK CONNECTOR FOR PIN BOILER V3 SMR						
310	11024863	996530068178	L-F/BR. SAFETY VALVE 16-18 BAR ASSY.						
311	149205850	996530018056	BLACK TYPE ULKA PUMP W/BEVEL SUPPORT						
312	12000140	996530007753	ULKA PUMP EP5/S GW	230V-50HZ					
313	11002149	996530001186	BLACK PUMP OUTLET 90° CONNECTOR P0049/A						
314	17800628	996530073428	TEMPERATURE SENSOR NTC UL L=550MM						
315		421944029341	SOLENOID VALVES SMR/T 24V ASSY.						
316	0701.081	996530073439	SPRING FOR TUBE PRODUCT 1						
317		421941308711	KIT SP. BLK HOT W. DISP. SMR/T 421941306191						
318	17800635	996530074282	2P. CONN. PUMP SMR UL ASSY.						
319		421944008851	BLK CARAFE GRAFT BODY INSERT SMR/T						
320	9011.144	996530048885	SS FORK FOR TUBE D=4						
321	140328059	996530013564	OR 2015 SILICONE PTFE/FDA						
322	17000006	996530009559	TWO WAY TEFLON TUBES SUPPORT SPRING MYB9						
323		421944029721	WHT PREFORM. TEFLON TUBE SUP. 145 SMR/T AS						
324	12000096	996530007742	OETIKER CLAMP D=9,5 15400022						
325	JS01.022	996530057357	SILICONE TUBE 5X10 60SH	IN ROLL					
326	16000380	996530009505	5X8,9 SILICONE TUBE	IN ROLL					
327		421944008431	BLK CARAFE INSERT BODY SMR/T						
328	12000450	996530007819	SCREW TCB TORX 10 3,5X12 PLAST.ZN-N						
329	16000540	996530009523	TRANSPAR. 11X12,8 SILICONE TUBE	IN ROLL					
330		242201520471	CABLE TIE PA66 BK 3.5X140 5309 B						
		421944046301	GEN. TUB. BOILER XS4 1900W 230V ASSY.	COMPLETE					

PHILIPS

PHI 4000 OTC

TABLE 3/7


PHILIPS

 EP4050/10
 EP4051/10

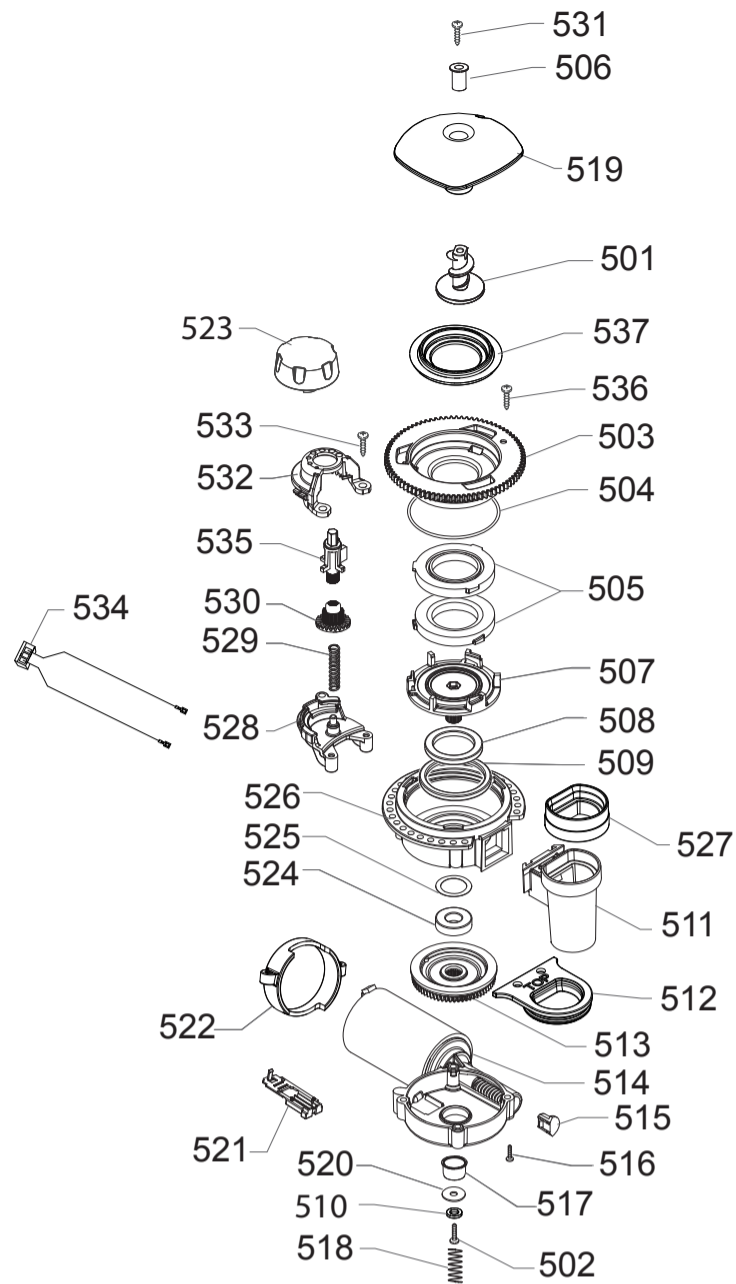
 Cod. 882860910010 - 882860910220 - 882860910300 - 882860910870
 Cod. 882861410010 - 882861410220

POS	CODE	12NC	DESCRIPTION	NOTE	POS	CODE	12NC	DESCRIPTION	NOTE
401		421944007561	BLK CARAFE COVER PLUG SMR/T						
402		421941307191	KIT SPAR.BLK CAP.COV.SERVO CAR.SMRT/T AS						
403	17001362	996530068626	BLK MILK INTAKE TUBE CONNECT.INS.V2 RYL						
404	11012814	996530067584	SILICONE TUBE 3,5X6 L=140 MM						
405		421944032881	TRANSP.D/GREY PH-11514 CARAFE V2 HGO/T						
406		421941307041	KIT SPARES BLK UPP.COV.SERVO CAR.SMRT/T						
407		421944029452	TRANSP/BLK GEN.CARAFE SLID.V2 SMR/T ASSY						

PHILIPS

PHI 4000 OTC

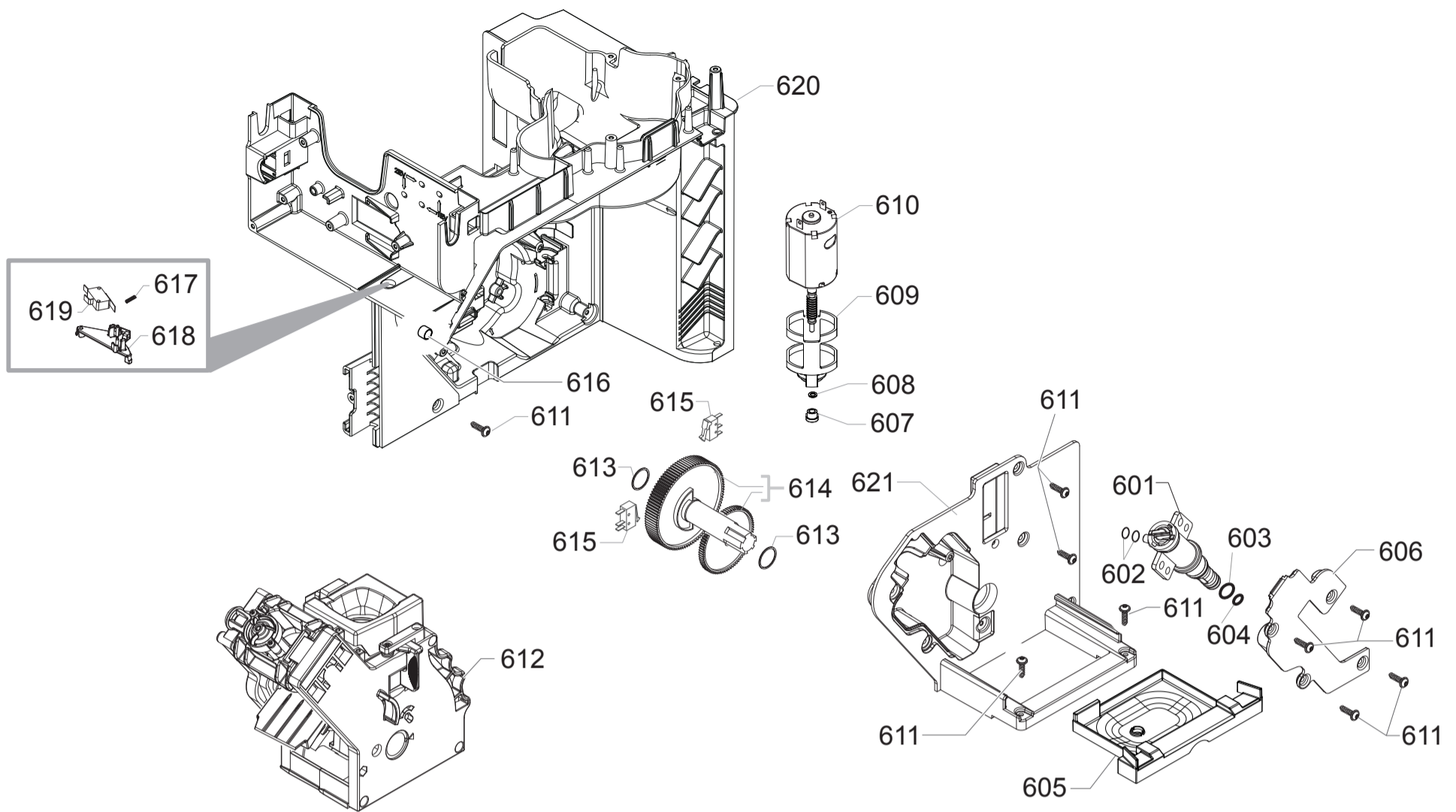
TABLE 4/7


PHILIPS
**EP4050/10
EP4051/10**

**Cod. 882860910010 - 882860910220 - 882860910300 - 882860910870
Cod. 882861410010 - 882861410220**

POS	CODE	12NC	DESCRIPTION	NOTE	POS	CODE	12NC	DESCRIPTION	NOTE
501	11010031	996530005586	TEA/ZAMA INCREASE SCREW GRINDER		537		421941085872	COFFEE GRINDER SEAL P119 GRY 7035	
502	129574802	996530012928	SCREW TCB TORX 20 M4X30 ZN-B						
503		421944053581	BLK COF.GRINDER UPPER GRINDER SUPPORT V3				421944054631	GEN.MOTOR COF.GRINDER V2 SMR/B 230V ASSY	
504	140328960	996530013577	OR ORM 0530-15 NBR FDA						
505	146520100	996530016342	BAKED CLAY GRINDER 48X28						
506	11012466	996530006412	BRASS BUSH BEAN CONT.FINGER PROTEC.P0057						
507	149198350	996530017952	BLK LOWER COFFEEGRINDER GRINDER SUPPORT						
508	123030300	996530011183	AXIAL BEARING EKKO 342.35252						
509	140360500	996530013597	FELT RING 45,4X39,4X4						
510	128310402	996530012341	GALV.WASHER UNI 8842 A4						
511	11026355	996530068049	BLK GROUND COFF.OUTLET CONVEYOR V4 ASSY.						
512		421944060561	GRY GROUND COF.CONT.LOWER SEAL V2 SMART1						
513	226000300	996530029609	GEAR SX Z=38 FOR GRINDER MOTION ASSY.						
514		421944049151	MOTOR COFFEEGRINDER V3.2 230V ASSY.	230V					
515	149214800	996530018139	MC V3 MOD=1,25 WORM SCREW CENTRING CAP						
516	129661702	996530012992	SCREW TCB TORX 3,5X30 PLAST.ZN-B						
517	11002873	996530001389	INSULATOR BUSH FOR GRINDER MOTOR P124						
518	11000597	996530000376	STEEL COF.GRINDER SUPPORT SPRING P124						
519	17001008	996530073467	TRANS.BEAN CONTAIN.FINGER PROTECT.SMR UL						
520	128381902	996530012375	STEEL FLAT WASHER DI=4,3 DE=14 SP=1,5						
521	149199050	996530017963	BLK SENSOR SUPPORT FOR COF.GRINDER MOTOR						
522	11000194	996530000115	BLACK COFFEEGRINDER MOTOR SUPPORT P124						
523		421944075131	BLK GRIND.ADJUST.KNOB S/SCR.5 POS.SMR						
524	123030200	996530011182	RADIAL BEARING 61900.2RS1						
525	128381800	996530012374	STEEL CRINKLE WASHER 21,8X14X0,25						
526	142905450	996530015258	BLK UPPER BODY WITH COFFEE GROUND OUTLET						
527	145854360	996530015958	BLK GROUND COFFEE CONT.UPPER SEAL SMART1						
528	11002613	996530001314	LOWER COFFEEGRINDER GEAR SUPPORT P124						
529	11002572	996530001308	COFFEEGRINDER REGULATION SPRING P124						
530	11003784	996530001907	COFFEE GRINDING ADJUSTMENT GEAR P0049						
531	U043.004	996530061808	ZN-B TCB TORX 20 M4X16 ZN-B						
532	11002508	996530001296	UPPER COFFEEGRINDER GEAR SUPPORT P124						
533	129914002	996530013165	SCREW TCB TORX 10 3,5X16 PLAST.ZN-B						
534	17800688	996530073454	2 POLES CONNET.COFFEEGRINDER MOTOR SMR UL						
535		421944052341	BLW BEAN COFFEE GRINDER INSERT V2 SMR						
536	12001622	996530068586	SCREW TCB TORX B 3,5X9,5 SCHEET NIK						

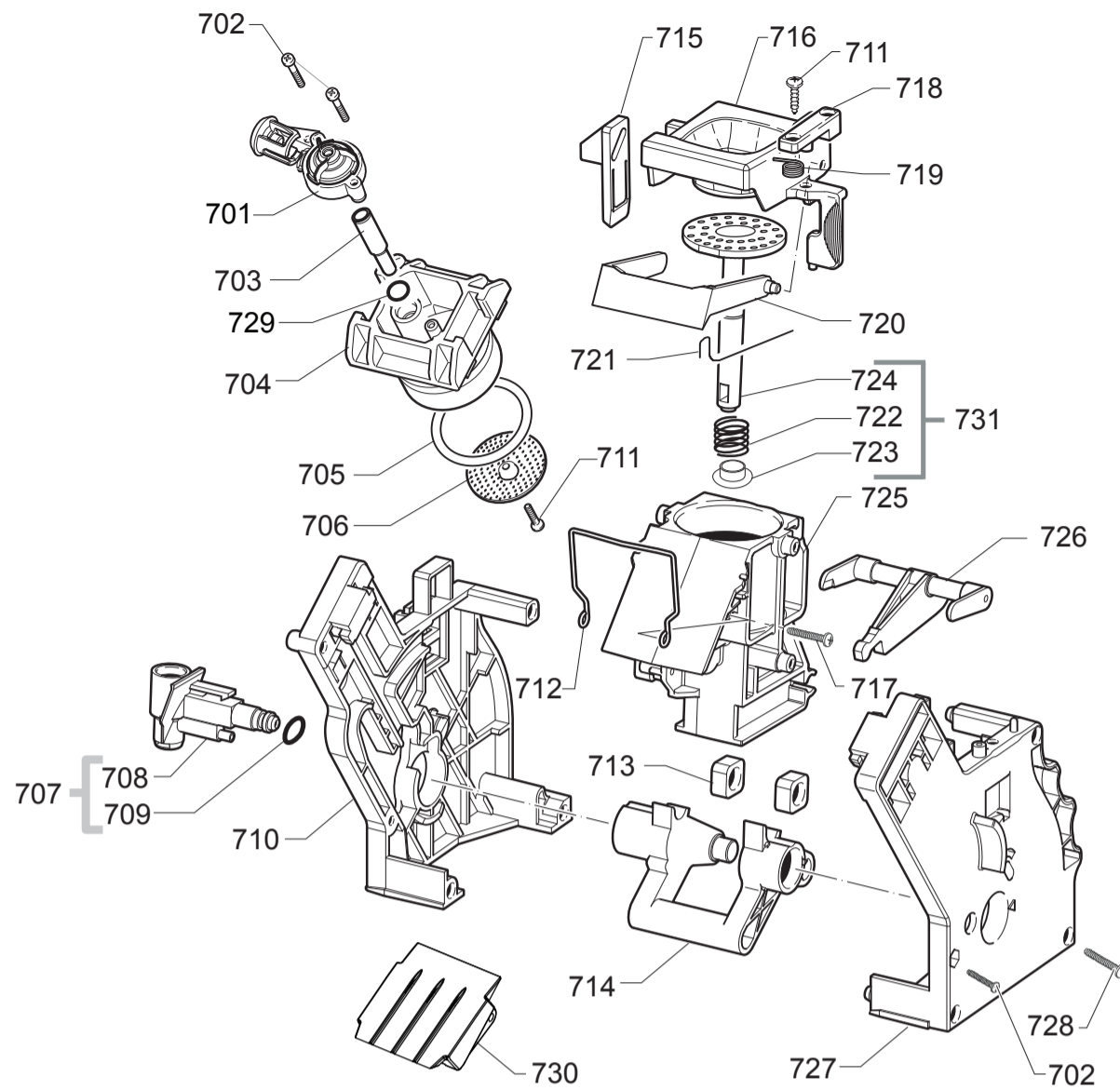
PHILIPS
PHI 4000 OTC
TABLE 5/7


PHILIPS
**EP4050/10
EP4051/10**

**Cod. 882860910010 - 882860910220 - 882860910300 - 882860910870
Cod. 882861410010 - 882861410220**

POS	CODE	12NC	DESCRIPTION	NOTE	POS	CODE	12NC	DESCRIPTION	NOTE
601		421946011491	BLK PIN FOR BOILER VALVE 4BAR ASSY.						
602	140328059	996530013564	OR 2015 SILICONE PTFE/FDA						
603	NM01.035	996530059399	OR ORM 0090-20 SILICONE						
604	NM01.057	996530059419	OR ORM 0050-20 IN SILICONE						
605		421944062701	BLK BREW UNIT DRAWER COFFEE V2 SMR						
606	17000730	996530074054	BLACK BOILER SEAT PIN COVER SMR						
607	9121.046	996530049898	BRONZE SINTERED BUSH FOR MOTOR RATIOMOT.						
608	148380200	996530017424	BAKELIZZATE WASHER D=5,5						
609	9121.044	996530049896	ANTIVIBRATION FOR MOTOR						
610	11005214	996530002796	MOTOR FOR RATIOMOTOR P124 ASSY.						
611	12001728	996530070321	SCREW TCBR TORX 10 3,5X12 PLAST.SS						
612		421944052451	BLK/YLW BREW UNIT 8GR.8BAR V3 SBS SMR						
613	9161.132	996530050569	MYLAR WASHER FOR RATIOMOTOR						
614	20000900	996530009913	SPARES KIT GEARS FOR RATIOMOTOR V2						
615		421946025541	MICROSWITCH XC/SM1 V2						
616	9161.111	996530050555	MAGNET FOR FLOAT SUPERAUT.						
617		421944006861	STEEL SPRING FOR MICRO COMPENSATOR SMR						
618	17001508	996530073469	BLACK MICRO COMPENSATOR SMR						
619	12001890	996530073209	MICROSWITCH XG/V3D						
620		421944043602	BLK RATIOMOTOR MOUNTING PLATE V2 SMRGAS						
621		421941287512	BLK RATIOMOT.MOUNTING PLATE COVER V2 SMR						

PHILIPS
PHI 4000 OTC
TABLE 6/7


PHILIPS
**EP4050/10
EP4051/10**

**Cod. 882860910010 - 882860910220 - 882860910300 - 882860910870
Cod. 882861410010 - 882861410220**

POS	CODE	12NC	DESCRIPTION	NOTE	POS	CODE	12NC	DESCRIPTION	NOTE
701	11002154	996530001192	SBS VALVE P124 ASSY.						
702	12000550	96530007838	SCREW TCB TORX 10 3X25 PLAST.SS						
703	11009276	996530005372	BLK COUNTER PISTON TUBE BREW UNIT S0053						
704	11001840	996530001046	BLACK COUNTER PISTON BREW UNIT 8GR.P124						
705	NM01.044	996530059406	OR ORM 0320-40 SILICONE PTFE/FDA						
706	9161.268	996530050709	PERCOLATOR DE=35,8 ELFO						
707	20000440	996530009825	BLACK WATER INLET SLEEVE BREW UNIT ASSY.						
708	9161.064.050	996530050488	BLACK WATER INLET SLEEVE BREW UNIT ROYAL						
709	NM02.007	996530059441	OR 2025 IN TERMOIL						
710	9161.375.050	996530050832	BLACK BREW UNIT REAR PLATE SMART						
711	12000895	996530007951	SCREW TSP TORX 10 3X10 PLAST.SS						
712	11001556	996530000898	SS BREW UNIT SPRING H=49 SMART						
713	9161.094.150	996530050541	GREY BREW UNIT DRILLED BLOCK						
714		421944051231	YLW BREW UNIT ELBOW SHAFT M5000						
715		421944046931	YLW BREW UNIT COUPLING PLATE V2 SMART						
716	149261350	996530018241	BLACK HOPPER DOSER BREW UNIT SMART1						
717	129912521	996530013148	SCREW TCB TORX 10 3,5X14 PLAST.SS						
718		421944050711	YLW BREW UNIT HOPPER BLOCKING PLATE SMART						
719	9161.378	996530050838	SS HOPPER SPRING FOR BREW UNIT SMART						
720	11004161	996530002096	BLACK SCRAPER FOR BREW UNIT M5000						
721	9161.046	996530050455	SS SCRAPER SPRING FOR BREW UNIT						
722	9161.198	996530050627	SS.8GR.BREW UNIT PISTON SPRING						
723	9161.191	996530050618	WHITE 8GR.-12GR.BREW UNIT PISTON BUSH						
724		421944065791	GRY BREW UNIT INTEGR.PISTON 8GR.V3 ASSY						
725		421944040801	BLK BREW UNIT COFFEE CONT.V2 P124 ASSY.						
726	11003078	996530001452	BLACK CONNECTING ROD BREW UNIT 8GR.						
727	11005920	996530003228	BLACK BREW UNIT FRONT PLATE S/SCR.SMART						
728	12000897	996530007953	SCREW TCB TORX 10 3,5X20 PLAST.SS						
729	140328761	996530013575	OR ORM 0060-15 TERMOIL						
730	17000737	996530073426	BLACK BREW UNIT CONVEYOR SLIDE L=56,3						
731		421944065811	GRY BREW UNIT 8GR.INT.PISTON GEN.V3 ASSY						
		421944052451	BLK BREW UNIT 8GR.8BAR V3 SBS SMR						

PHILIPS
PHI 4000 OTC
TABLE 7/7