

HD8649/01-11-51 HD8651/01  
 HD8651/01-05-07-09-11-14-15-16  
 HD8651/17-19-21-27-29-31-41  
 HD8653/01-41 HD8645/67

Cod.882864901870 - 882864911870 - 882864951870-882865101010  
 Cod.882865101020-105470-107710-109300-111010-114520-115470-116660  
 Cod.882865117710-119300-5121010-127710-129300-131010-141010  
 Cod.882865301870 - 882865341870 - 882864567520

**PHILIPS**

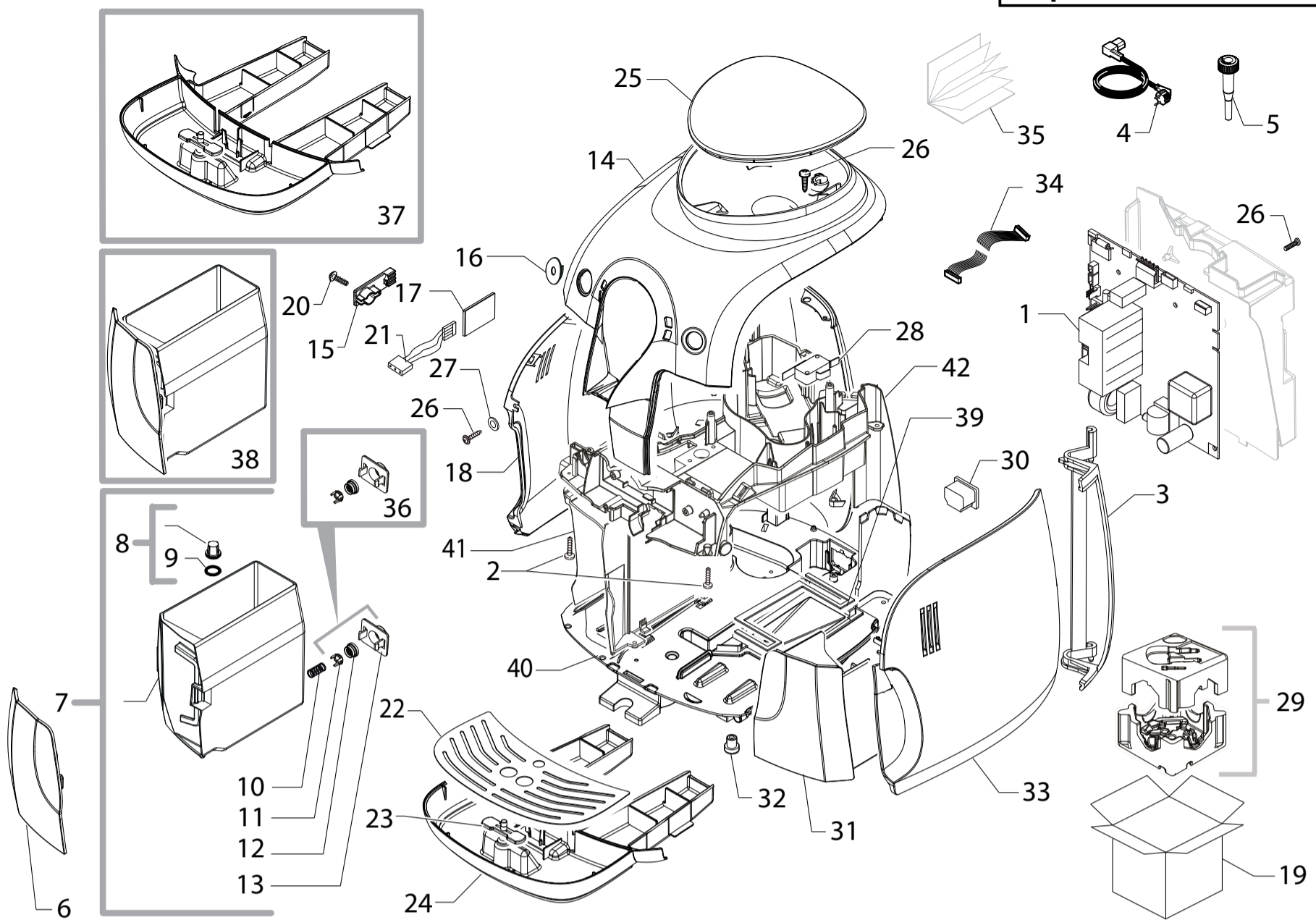


| POS | CODE      | 12NC         | DESCRIPTION                              | NOTE         | POS | CODE      | 12NC         | DESCRIPTION                            | NOTE                                                      |
|-----|-----------|--------------|------------------------------------------|--------------|-----|-----------|--------------|----------------------------------------|-----------------------------------------------------------|
| 01  |           | 421941307201 | CPU+SW XS4 PHILIPS ASSY.                 |              |     |           |              | For HD8649/51-HD8651/31                |                                                           |
|     |           | 421941307261 | CPU+SW XS4 PHILIPS 120V ASSY.            | HD8651/14-16 |     |           | 421944049961 | GMS UPPER COVER CASING S/SCR.XS4/B PHI |                                                           |
| 02  | 12001728  | 996530070321 | SCREW TCBR TORX 10 3,5X12 PLAST.SS       |              |     |           |              | For HD8651/41-HD8653/41                |                                                           |
| 03  | 11004139  | 996530002081 | BLACK HINGE FOR DOOR P0057               |              | 15  | 17000064  | 996530067437 | BLK CAPACIT.SENSOR DEADLOCK INSERT XSM |                                                           |
| 04  |           | 421946001591 | BLK POWER CABLE SCHUKO L=800             |              | 16  | 11021366  | 996530007087 | BLACK UPPER COVER CASING CAP P0057     |                                                           |
|     | 11001985  | 996530001089 | BLK POWER CABLE KOREA L=1200             |              |     |           | 421944031871 | BEIS UPPER COVER CASING CAP P0057      | For HD8649/01-HD8651/01-05-07-09-14 HD8653/01             |
|     | 11004246  | 996530002166 | BLK POWER CABLE TAIWAN HVCTF L=1200      |              |     |           | 421944031881 | REDJ UPPER COVER CASING CAP P0057      | For HD8649/11-HD8651/11-15-16-17-19 HD8645/67             |
|     | 11004247  | 996530002166 | BLK POWER CABLE RVV 3X1 CHINA L=1200     |              |     |           |              |                                        | For HD8651/21-27-29                                       |
|     | 183921950 | 996530025843 | POWER CABLE SJT3 USA BLACK UL L=1200     | HD8651/14    |     |           | 11010038     | SILVER UPPER COVER CASING CAP P0057    |                                                           |
| 05  | 11003785  | 996530001908 | BLACK GRINDER ADJUSTMENT KEY P0049       |              |     |           | 11023622     | GMS UPPER COVER CASING CAP P0057       | For HD8649/51-HD8651/31                                   |
| 06  | 11014306  | 996530007065 | BLACK WATER CONTAINER FRONT COVER P0057  |              |     |           |              |                                        | For HD8651/41-HD8653/41                                   |
|     |           | 421944031921 | BEIS WATER CONT.FRONT COVER XS4          |              | 17  |           | 421941306721 | CPU+SW WATER LEVEL SENSOR V3 ASSY.     |                                                           |
|     |           | 421944031931 | REDJ WATER CONT.FRONT COVER XS4          |              | 18  |           | 421944026341 | INK LEFT SIDE COVER P0057              |                                                           |
|     | 11005756  | 996530003102 | SILVER WATER TANK FRONT COVER P0057      |              |     |           | 421944031991 | WHIS LEFT SIDE COVER XS4               | For HD8649/01-51-HD8651/01-05-07-09-14-21-27-29-HD8653/01 |
|     | 11023610  | 996530066677 | GMS WATER CONTAINER FRONT COVER P0057    |              |     |           | 11023619     | GMS LEFT SIDE COVER P0057              | For HD8649/11-HD8651/11-15-16-17-19-31 HD8645/67          |
| 07  |           | 421944056281 | NAT/GRY WATER CONTAINER V2 P0057 ASSY    |              |     |           |              |                                        | For HD8651/41-HD8653/41                                   |
| 08  | 224640200 | 996530029115 | WHITE WATER CONTAINER EXT.FILTER ASSY.   |              | 19  |           | 421944065841 | DISPL.BOX V2 PHI 2000/B EAC            |                                                           |
| 09  | 140328461 | 996530013571 | OR ORM 0190-10 EPDM                      |              |     |           | 421946037541 | DISPL.BOX PHI2000 VAPORE USA           | HD8645/67                                                 |
| 10  | 11003672  | 996530001831 | SS SPRING FOR WATER CONTAIN.VALVE P0049  |              | 20  | 129913202 | 996530013156 | SCREW TCB TORX 10 3X8 PLAST.ZN-B       |                                                           |
| 11  |           | 421944040071 | BLK WATER CONT.VALVE INSERT V2 P0049     |              | 21  | 11013709  | 996530006833 | 3POLES CONNECTOR WATER LEVEL XSM UL    |                                                           |
|     |           |              | FROM S.N. TW901603030768                 |              | 22  |           | 421944023221 | SS DRIP TRAY GRATE XS4                 |                                                           |
| 12  |           | 421944040781 | BLK GASKET FOR WATER CONT.VALVE V2 P0049 |              | 23  |           | 421944032571 | RED/BLK FLOAT FOR DRIP TRAY XS4        |                                                           |
|     |           |              | FROM S.N. TW901603030768                 |              | 24  |           | 421944033791 | BLK DRIP TRAY XS4                      |                                                           |
| 13  |           | 421944040061 | BLK LID FOR WATER CONT.VALVE V2 P0049    |              |     |           | 421944031141 | BEIS DRIP TRAY XS4                     | For HD8649/01-HD8651/01-05-07-09-14 HD8653/01             |
|     |           |              | FROM S.N. TW901603030768                 |              |     |           |              |                                        | For HD8649/11-HD8651/11-15-16-17-19 HD8645/67             |
| 14  |           | 421944035951 | BLK UPPER COVER CASING S/SCR.XS4/B PHI   |              |     |           | 421944031131 | REDJ DRIP TRAY XS4                     | For HD8651/21-27-29                                       |
|     |           | 421944042001 | BEIS UP.COVER CASING S/SCR.XS4/B PHI     |              |     |           | 421944050051 | SIL DRIP TRAY XS4                      | For HD8649/51-HD8651/31                                   |
|     |           | 421944041991 | REDJ UP.COVER CASING S/SCR.XS4/B PHI     |              |     |           | 421944049941 | GMS DRIP TRAY XS4                      | For HD8651/41-HD8653/41                                   |
|     |           | 421944050081 | SIL UPPER COVER CASING S/SCR.XS4/B PHI   |              |     |           |              |                                        |                                                           |

**PHILIPS**

PHI 2000 VAPORE

TABLE 1a/6



HD8649/01-11-51 HD8651/01  
 HD8651/01-05-07-09-11-14-15-16  
 HD8651/17-19-21-27-29-31-41  
 HD8653/01-41 HD8645/67

Cod.882864901870 - 882864911870 - 882864951870-882865101010  
 Cod.882865101020-105470-107710-109300-111010-114520-115470-116660  
 Cod.882865117710-119300-5121010-127710-129300-131010-141010  
 Cod.882865301870 - 882865341870 - 882864567520

**PHILIPS**

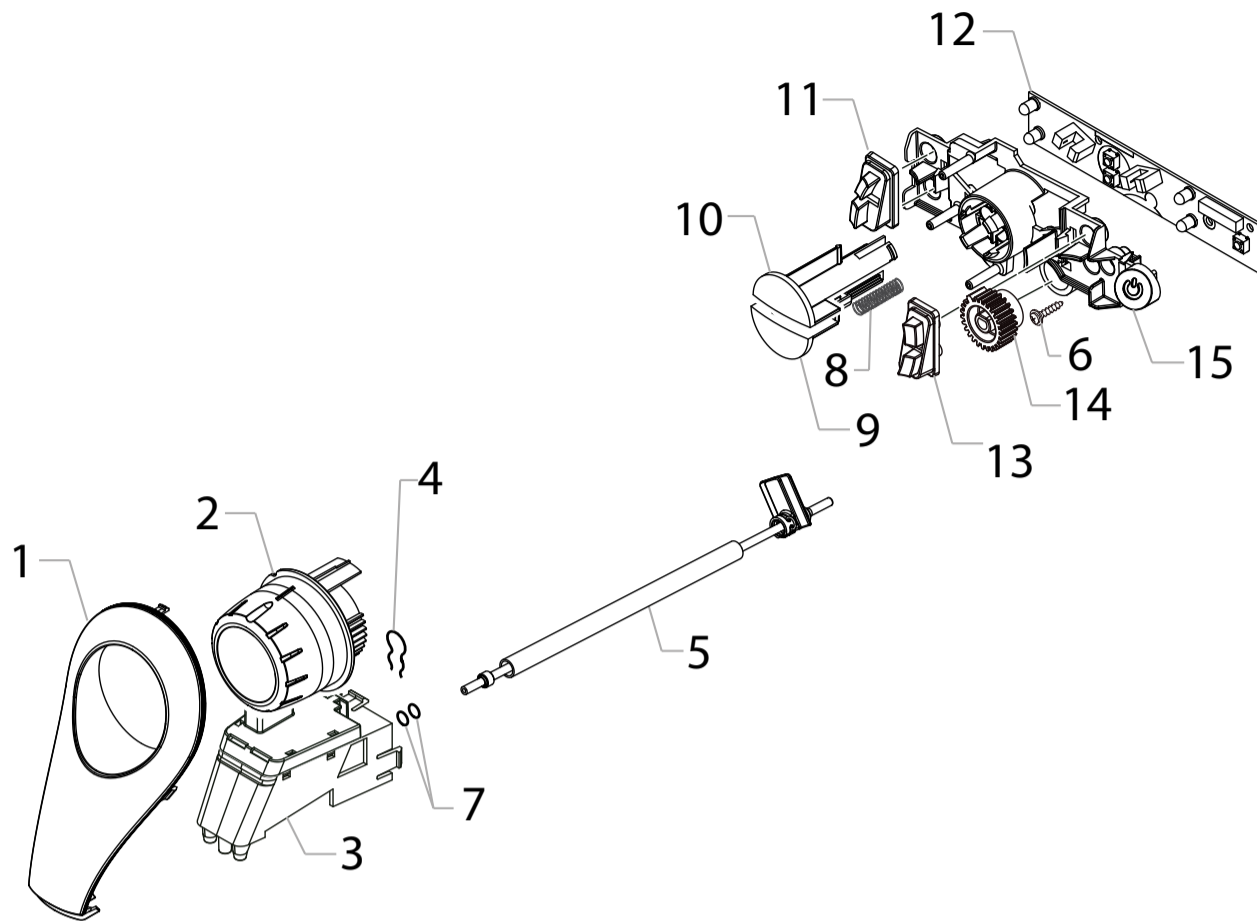


| POS | CODE      | 12NC         | DESCRIPTION                              | NOTE | POS | CODE     | 12NC         | DESCRIPTION                           | NOTE |
|-----|-----------|--------------|------------------------------------------|------|-----|----------|--------------|---------------------------------------|------|
| 25  |           | 421944035851 | NAT/GRY BEAN COF.CONTAINER LID V2 P0057  |      | 38  |          | 421941309651 | KIT SPARES REDJ WATER CONT.P0057 ASSY |      |
| 26  | 12000450  | 996530007819 | SCREW TCBR TORX 10 3,5X12 PLAST.ZN-N     |      |     |          | 996530007819 | SCREW TCBR TORX 10 3,5X12 PLAST.ZN-N  |      |
| 27  | 128382002 | 996530012376 | FLAT WASH.DI=3,7 DE=11 SP=0,8 GALV.      |      |     |          | 421941309671 | KIT SPARES GMS WATER CONT.P0057 ASSY  |      |
| 28  |           | 421946032321 | MICROSWITCH XG/V3D/VA2                   |      |     |          | 421941309661 | KIT SPARES SIL WATER CONT.P0057 ASSY  |      |
| 29  | 20006888  | 996530067705 | KIT TYPE "A" PS-E INSERT FOR BOX P0057   |      |     |          | 421941309631 | KIT SPARES BLK WATER CONT.P0057 ASSY  |      |
| 30  | 12001883  | 996530072437 | CUP SOCKET V3 EN 60320 C 13              |      |     |          | 421941309641 | KIT SPARES BEIS WATER CONT.P0057 ASSY |      |
| 31  |           | 421941210392 | BLK DUMP BOX V2 P0057                    |      |     |          | 996530006307 | ADHESIVE AERSTOP SP=1,6 MM P0057      |      |
|     |           | 421944031942 | BEIS DUMP BOX V2 XS4                     |      | 39  | 11012102 | 996530006307 | ADHESIVE AERSTOP SP=1,6 MM P0057      |      |
|     |           | 421944031952 | REDJ DUMP BOX V2 XS4                     |      | 40  | 17000607 | 996530071788 | BLACK CASING BOTTOM V3 P0057          |      |
|     |           | 421941159632 | SILVER DUMP BOX V2 P0057                 |      |     |          | 421944061561 | BLK CASING BOTTOM V4 P0057            |      |
|     |           | 421941219862 | GMS DUMP BOX P0057                       |      |     |          | 996530007044 | BLK CASING BOTTOM INSERT V2 P0057     |      |
| 32  | 147622800 | 996530016875 | TRANSPARENT SILICONE FOOT                |      | 41  | 11014220 | 996530007044 | BLK CASING BOTTOM INSERT V2 P0057     |      |
| 33  |           | 421944026331 | INK DOOR P0057                           |      | 42  |          | 421944022062 | BLK COFFEE GRINDER PLATE V4 P0057     |      |
|     |           | 421944031971 | WHIS DOOR XS4                            |      |     |          |              |                                       |      |
|     | 11023618  | 996530066684 | GMS DOOR P0057                           |      |     |          |              |                                       |      |
| 34  | 11005128  | 996530002766 | 16POLES CPU-USER INTERF.FLAT CABLE P0057 |      |     |          |              |                                       |      |
| 35  |           |              | NOT AVAILABLE                            |      |     |          |              |                                       |      |
| 36  |           | 421941308821 | KIT SP.COMPONENTS WATER CONTAINERS ASSY  |      |     |          |              |                                       |      |
| 37  |           | 421941309691 | KIT SPARES REDJ DRIP TRAY XS4            |      |     |          |              |                                       |      |
|     |           | 421941309711 | KIT SPARES GMS DRIP TRAY XS4             |      |     |          |              |                                       |      |
|     |           | 421941309701 | KIT SPARES SIL DRIP TRAY XS4             |      |     |          |              |                                       |      |
|     |           | 421941309621 | KIT SPARES BLK DRIP TRAY XS4             |      |     |          |              |                                       |      |
|     |           | 421941309681 | KIT SPARES BEIS DRIP TRAY XS4            |      |     |          |              |                                       |      |

**PHILIPS**

PHI 2000 VAPORE

TABLE 1b/6



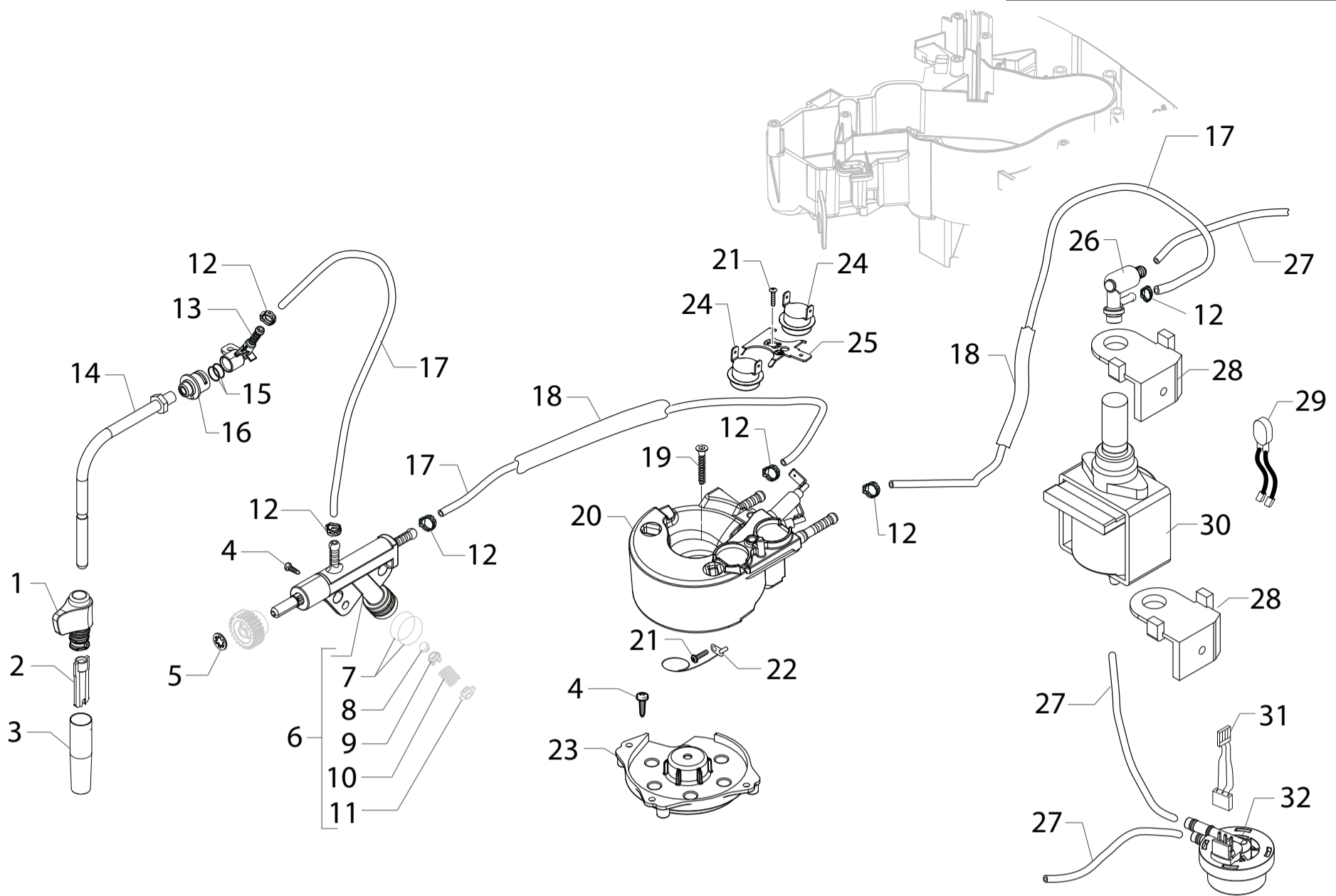
HD8649/01-11-51 HD8651/01  
 HD8651/01-05-07-09-11-14-15-16  
 HD8651/17-19-21-27-29-31-41  
 HD8653/01-41 HD8645/67

Cod.882864901870 - 882864911870 - 882864951870-882865101010  
 Cod.882865101020-105470-107710-109300-111010-114520-115470-116660  
 Cod.882865117710-119300-5121010-127710-129300-131010-141010  
 Cod.882865301870 - 882865341870 - 882864567520



| POS | CODE      | 12NC         | DESCRIPTION                                                                                                       | NOTE | POS | CODE | 12NC | DESCRIPTION | NOTE |
|-----|-----------|--------------|-------------------------------------------------------------------------------------------------------------------|------|-----|------|------|-------------|------|
| 01  |           | 421944034171 | BLK CONTR.KNOB COVER S/SCR.XS4/B<br>For HD8649/01-51-HD8651/01-05-07-14-27-09-21-29-31-41<br>For HD8653/01-41     |      |     |      |      |             |      |
|     |           | 421944031861 | GCAS CONTR.KNOB COVER S/SCR.XS4/B<br>For HD8649/11-HD8651/11-15-16-17-19 HD8645/67                                |      |     |      |      |             |      |
| 02  | 11021457  | 996530007106 | BLACK CONTROL KNOB V2 N/S/SCR.P0057<br>For HD8649/01-51-HD8651/01-05-07-14-27-09-21-29-31-41<br>For HD8653/01-41  |      |     |      |      |             |      |
|     |           | 421944031961 | GCAS CONTROL KNOB V2 N/S/SCR.P0057<br>For HD8649/11-HD8651/11-15-16-17-19 HD8645/67                               |      |     |      |      |             |      |
| 03  | 11011280  | 996530006014 | BLACK COFFEE DISPENSER P0057 ASSY.                                                                                |      |     |      |      |             |      |
| 04  | 9011.144  | 996530048885 | SS FORK FOR TUBE D=4                                                                                              |      |     |      |      |             |      |
| 05  | 11031203  | 996530073357 | TEFL.TUBE 2X4 L=235+PLATE+2BUSH NPR ASSY                                                                          |      |     |      |      |             |      |
| 06  | 12000450  | 996530007819 | SCREW TCBR TORX 10 3,5X12 PLAST.ZN-N                                                                              |      |     |      |      |             |      |
| 07  | 140328059 | 996530013564 | OR 2015 SILICONE PTFE/FDA                                                                                         |      |     |      |      |             |      |
| 08  | 11008956  | 996530005133 | SS DOOR LOCK SPRING G0053                                                                                         |      |     |      |      |             |      |
| 09  |           | 421944033971 | BLK COF.BUTTON S/SC.BIG CUP V2 XS4/B<br>For HD8649/01-51-HD8651/01-05-06-07-09-14-21-29-31-41<br>For HD8653/01-41 |      |     |      |      |             |      |
|     |           | 421944033981 | GCAS COF.BUTTON S/SC.BIG CUP V2 XS4/B<br>For HD8649/11-HD8651/11-15-16-17-19 HD8645/67                            |      |     |      |      |             |      |
| 10  |           | 421944033941 | BLK COF.BUTTON S/SC.SMALL CUP V2 XS4/B<br>For HD8649/01-51-HD8651/01-05-06-07-09-14-21-29-31-41                   |      |     |      |      |             |      |
|     |           | 421944033951 | GCAS COF.BUTTON S/SC.SMALL CUP V2 XS4/B<br>For HD8649/11-HD8651/11-15-16-17-19 HD8645/67                          |      |     |      |      |             |      |
| 11  | 11014222  | 996530007046 | TRANSP.LEFT GUIDE LIGHT V2 P0057                                                                                  |      |     |      |      |             |      |
| 12  |           | 421941306641 | KYB BOARD XS4/B                                                                                                   |      |     |      |      |             |      |
| 13  | 11013012  | 996530006584 | TRANSP/PMMA RIGHT GUIDE LIGHT P0057                                                                               |      |     |      |      |             |      |
| 14  | 11004120  | 996530002059 | WHITE STEAM/WATER GEAR Z=26 P0057                                                                                 |      |     |      |      |             |      |
| 15  |           | 421944026031 | TRANSP.TOUCH PANEL S/SCR.XS4                                                                                      |      |     |      |      |             |      |





HD8649/01-11-51 HD8651/01  
 HD8651/01-05-07-09-11-14-15-16  
 HD8651/17-19-21-27-29-31-41  
 HD8653/01-41 HD8645/67

Cod.882864901870 - 882864911870 - 882864951870-882865101010  
 Cod.882865101020-105470-107710-109300-111010-114520-115470-116660  
 Cod.882865117710-119300-5121010-127710-129300-131010-141010  
 Cod.882865301870 - 882865341870 - 882864567520

**PHILIPS**

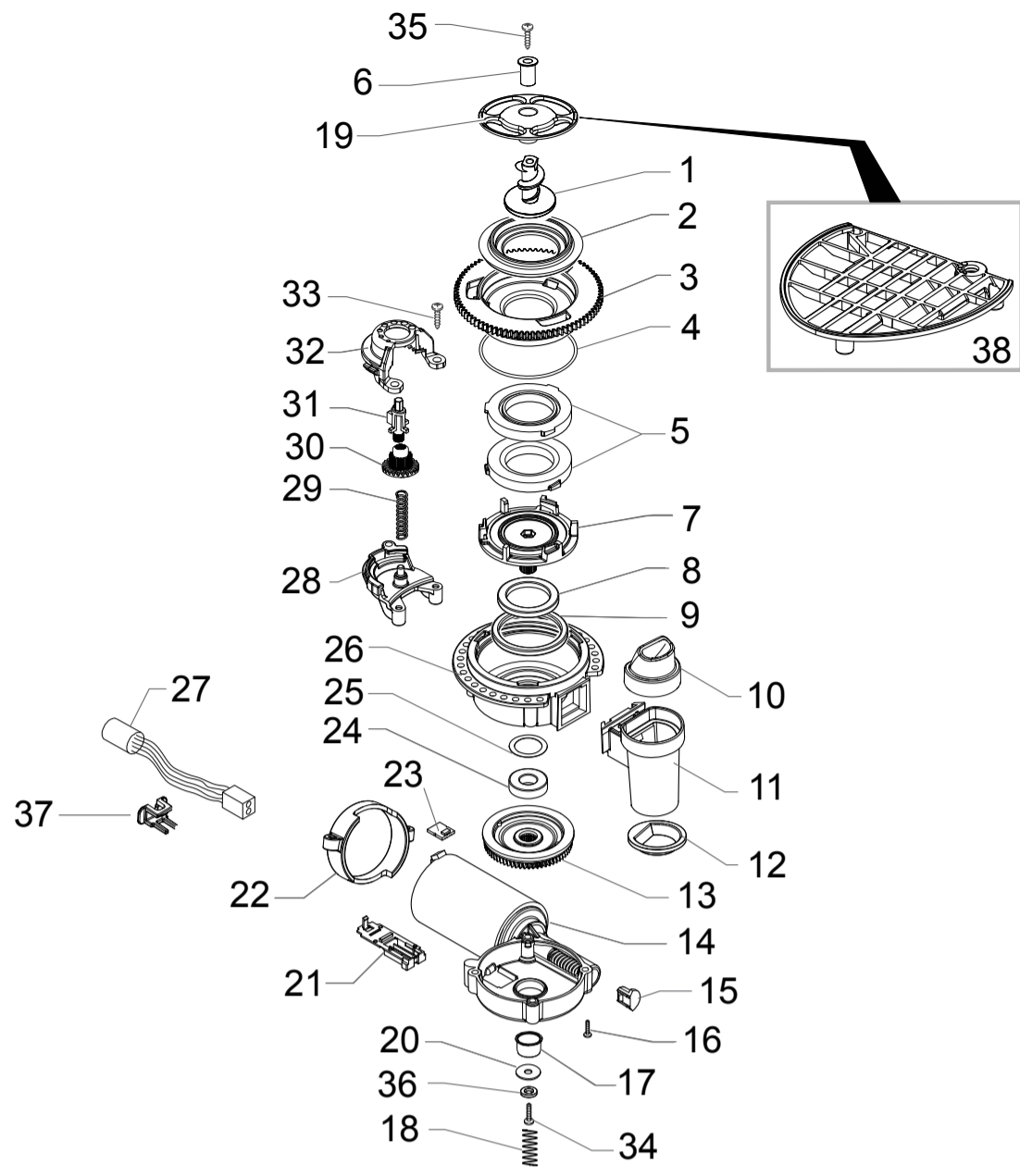


| POS | CODE      | 12NC         | DESCRIPTION                             | NOTE          | POS | CODE     | 12NC         | DESCRIPTION                      | NOTE       |
|-----|-----------|--------------|-----------------------------------------|---------------|-----|----------|--------------|----------------------------------|------------|
| 01  |           | 421941300671 | BLK/SIL.STEAM TUBE HANDGRIP G0053       |               | 30  | 12000182 | 996530007782 | ULKA PUMP EP5/S GW               | 220V-60HZ  |
| 02  | 11001620  | 996530000925 | BLACK PANNARELLO INNER TUBE P0049       |               | 31  | 11005948 | 996530003241 | 3POLES CONNECTOR FLOWMETER P0057 |            |
| 03  | 11001769  | 996530001012 | BLACK PANNARELLO COVER P0049            |               | 32  | NV99.099 | 996530059843 | TURBINE D=1,2 932-8521/00 ASSY.  |            |
|     | 11001621  | 996530000926 | STAINLESS STEEL PANNARELLO COVER P0049  |               |     |          | 421946034321 | GEN.TUB.BOILER V2 XS4 ASSY.      | 230V-1300W |
|     |           |              | <b>For HD8651/41-HD8653/01-41</b>       |               |     |          | 421944069101 | GEN.TUB.BOILER V2 XS4 ASSY       | 120V-1300W |
| 04  | 12000450  | 996530007819 | SCREW TCB TORX 10 3,5X12 PLAST.ZN-N     |               |     |          |              | WITH PART.N°20-21-22-24-25       |            |
| 05  | 128210600 | 996530012336 | ELASTIC WASHER FOR SHAFT D=6MM          |               |     |          |              |                                  |            |
| 06  | 11012381  | 996530006383 | FLOW SELECTOR FAUCET V2 P0057           |               |     |          |              |                                  |            |
| 07  |           |              | <b>PARTICULAR NOT AVAILABLE</b>         | SEE PART.N°06 |     |          |              |                                  |            |
| 08  |           |              | <b>PARTICULAR NOT AVAILABLE</b>         | SEE PART.N°06 |     |          |              |                                  |            |
| 09  |           |              | <b>PARTICULAR NOT AVAILABLE</b>         | SEE PART.N°06 |     |          |              |                                  |            |
| 10  |           |              | <b>PARTICULAR NOT AVAILABLE</b>         | SEE PART.N°06 |     |          |              |                                  |            |
| 11  |           |              | <b>PARTICULAR NOT AVAILABLE</b>         | SEE PART.N°06 |     |          |              |                                  |            |
| 12  | 12000892  | 996530007947 | OETIKER CLAMP D=9,5 16700004            |               |     |          |              |                                  |            |
| 13  |           | 421944028161 | STEAM TUBE SUPPORT PPS P0057            |               |     |          |              |                                  |            |
| 14  | 11012972  | 996530006576 | TF/CHROM.STEAM TUBE V2 P0057 ASSY.      |               |     |          |              |                                  |            |
| 15  | 140324461 | 996530013509 | OR ORM 0060-20 TERMOIL                  |               |     |          |              |                                  |            |
| 16  | 11011127  | 996530005979 | BLACK PA6 BUSH FOR STEAM TUBE P0057     |               |     |          |              |                                  |            |
| 17  | 16000380  | 996530009505 | 5X8,9 SILICONE TUBE                     | IN ROLL       |     |          |              |                                  |            |
| 18  | 16000540  | 996530009523 | TRANSPAR.11X12,8 SILICONE TUBE          | IN ROLL       |     |          |              |                                  |            |
| 19  | 12001280  | 996530008024 | SCREW TSP TORX 10 5X20 PLAST.ZN-B       |               |     |          |              |                                  |            |
| 20  |           | 421944024121 | TUB.BOILER XS4 ASSY.                    | 230V-1300W    |     |          |              |                                  |            |
|     |           | 421944046121 | TUB.BOILER XS4 ASSY.                    | 120V-1300W    |     |          |              |                                  |            |
| 21  | 12001715  | 996530069758 | SCREW TCB TORX 20 M4X8 AUTOFORMING ZN-B |               |     |          |              |                                  |            |
| 22  | 190800100 | 996530026997 | TEMPERATURE SENSOR NTC UL L=280MM       |               |     |          |              |                                  |            |
| 23  |           | 421941215942 | BLK SLIM/EXSL TUB.BOILER SUPPORT V2     |               |     |          |              |                                  |            |
| 24  |           | 262279998757 | THERMOSTAT OPEN/CLOSE 190/-35DEGC B     |               |     |          |              |                                  |            |
| 25  | 11001751  | 996530000997 | TUB.BOILER V3 UPPER THERM.FIXING SPRING |               |     |          |              |                                  |            |
| 26  | 11024863  | 996530068178 | L-F/BR.SAFETY VALVE 16-18 BAR ASSY.     |               |     |          |              |                                  |            |
| 27  | JS01.022  | 996530057357 | SILICONE TUBE 5X10 60SH                 | IN ROLL       |     |          |              |                                  |            |
| 28  | 149205850 | 996530018056 | BLACK TYPE ULKA PUMP W/BEVEL SUPPORT    |               |     |          |              |                                  |            |
| 29  | 11009747  | 996530005496 | 2POLES CONNECTOR PUMP P0057 UL          |               |     |          |              |                                  |            |
| 30  |           | 421941305991 | ULKA PUMP EP5FMGW                       | 230V-50HZ     |     |          |              |                                  |            |
|     | 12000140  | 996530007753 | ULKA PUMP EP5/S GW                      | 230V-50HZ     |     |          |              |                                  |            |
|     |           |              | <b>ONLY FOR HD8651/07-17-27</b>         |               |     |          |              |                                  |            |
|     | 12000142  | 996530007754 | ULKA PUMP EAP5/S                        | 120V-60HZ     |     |          |              |                                  |            |

**PHILIPS**

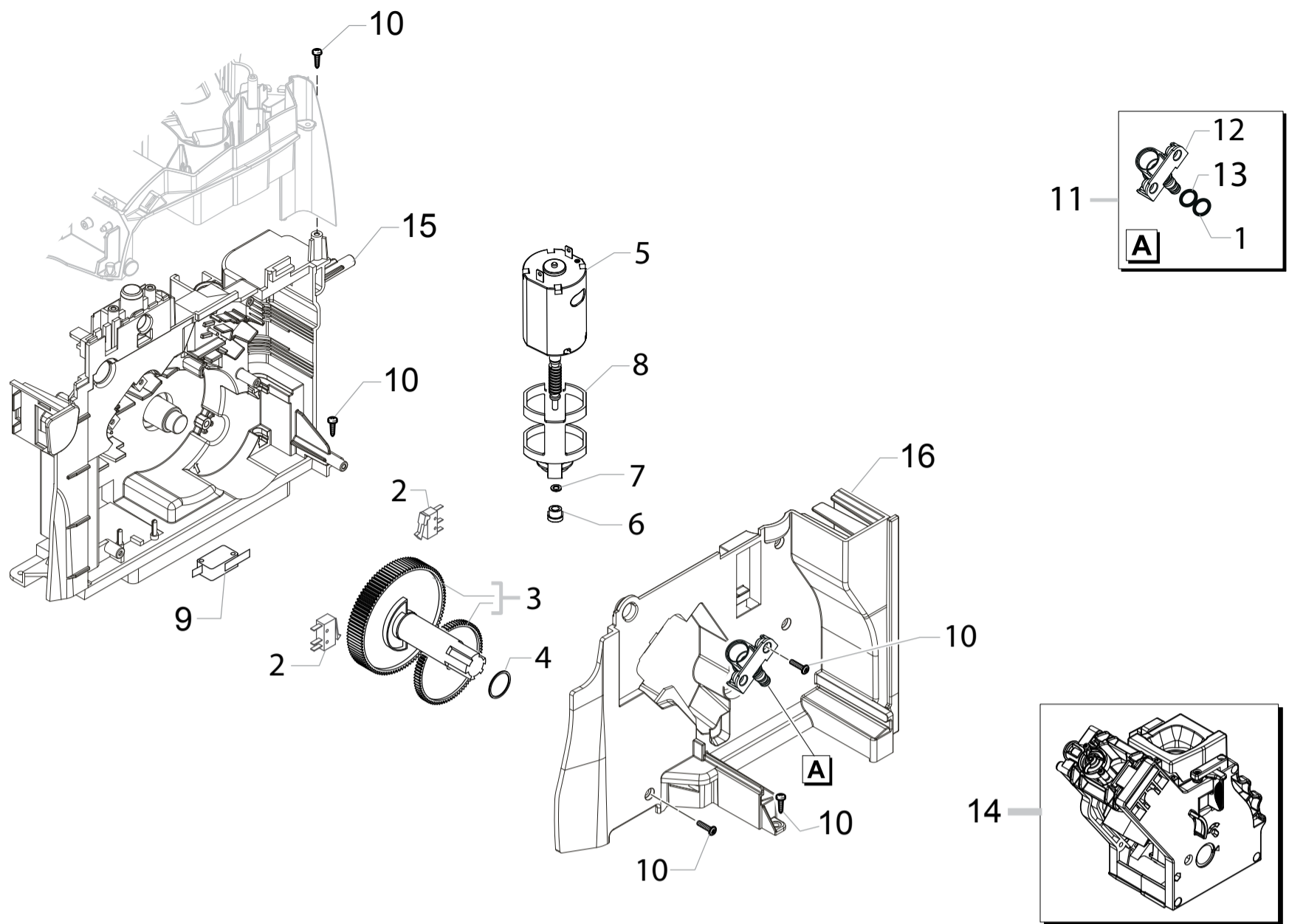
**PHI 2000 VAPORE**

**TABLE 3/6**



**HD8649/01-11-51 HD8651/01** Cod.882864901870 - 882864911870 - 882864951870-882865101010  
**HD8651/01-05-07-09-11-14-15-16** Cod.882865101020-105470-107710-109300-111010-114520-115470-116660  
**PHILIPS HD8651/17-19-21-27-29-31-41** Cod.882865117710-119300-5121010-127710-129300-131010-141010  
**HD8653/01-41 HD8645/67** Cod.882865301870 - 882865341870 - 882864567520

| POS | CODE      | 12NC         | DESCRIPTION                              | NOTE | POS      | CODE     | 12NC         | DESCRIPTION                             | NOTE                   |
|-----|-----------|--------------|------------------------------------------|------|----------|----------|--------------|-----------------------------------------|------------------------|
| 01  | 11010031  | 996530005586 | TEA/ZAMA INCREASE SCREW GRINDER          |      | 37       | 17001921 | 996530072477 | BLK WIRING FIX INSERT FOR GRINDER BOARD |                        |
| 02  | 145857062 | 996530015992 | COFFEE GRINDER SEAL P119                 |      | 38       |          | 421944048511 | TRANSP.BEAN CONTAINER PROTECT.V2 P0057  | HD8645/67<br>HD8651/14 |
| 03  |           | 421941094152 | BLK COF.GRINDER UPPER GRINDER SUPPORT V2 |      |          |          |              |                                         |                        |
| 04  | 140328960 | 996530013577 | OR ORM 0530-15 NBR FDA                   |      |          |          |              |                                         |                        |
| 05  | 146520100 | 996530016342 | BAKED CLAY GRINDER 48X28                 |      | 1006059  |          | 996530003327 | GEN.MOTOR COF.GRINDER STD P0057 ASSY    | 230V                   |
| 06  | 11012466  | 996530006412 | BRASS BUSH BEAN CONT.FINGER PROTEC.P0057 |      | 11013028 |          | 996530006587 | GEN.MOTOR COFF.GRINDER P0057 ASSY.      | 120V                   |
| 07  | 149198350 | 996530017952 | BLK LOWER COFFEEGRINDER GRINDER SUPPORT  |      |          |          |              |                                         |                        |
| 08  | 123030300 | 996530011183 | AXIAL BEARING EKKO 342.35252             |      |          |          |              |                                         |                        |
| 09  | 140360500 | 996530013597 | FELT RING 45,4X39,4X4                    |      |          |          |              |                                         |                        |
| 10  | 11006226  | 996530003441 | BLACK BREW UNIT CONDENSE CONVEYOR P0057  |      |          |          |              |                                         |                        |
| 11  | 11026355  | 996530068049 | BLK GROUND COFF.OUTLET CONVEYOR V4 ASSY. |      |          |          |              |                                         |                        |
| 12  | 11030459  | 996530072511 | GRY GROUND COFFEE CONT.LOWER SEAL SMART1 |      |          |          |              |                                         |                        |
| 13  | 226000300 | 996530029609 | GEAR SX Z=38 FOR GRINDER MOTION ASSY.    |      |          |          |              |                                         |                        |
| 14  | 11000513  | 996530000317 | MOTOR COFFEEGRINDER V3.1 ASSY.           | 230V |          |          |              |                                         |                        |
|     | 11000511  | 996530000315 | MOTOR COFFEEGRINDER V3.1 ASSY.           | 120V |          |          |              |                                         |                        |
| 15  | 149214800 | 996530018139 | MC V3 MOD=1,25 WORM SCREW CENTRING CAP   |      |          |          |              |                                         |                        |
| 16  | 129661702 | 996530012992 | SCREW TCB TORX 3,5X30 PLAST.ZN-B         |      |          |          |              |                                         |                        |
| 17  | 11002873  | 996530001389 | INSULATOR BUSH FOR GRINDER MOTOR P124    |      |          |          |              |                                         |                        |
| 18  | 11000597  | 996530000376 | STEEL COF.GRINDER SUPPORT SPRING P124    |      |          |          |              |                                         |                        |
| 19  | 11012237  | 996530006334 | BLACK BEAN CONTAIN.FINGER PROTECT.P0057  |      |          |          |              |                                         |                        |
| 20  | 128381902 | 996530012375 | STEEL FLAT WASHER DI=4,3 DE=14 SP=1,5    |      |          |          |              |                                         |                        |
| 21  | 149199050 | 996530017963 | BLK SENSOR SUPPORT FOR COF.GRINDER MOTOR |      |          |          |              |                                         |                        |
| 22  | 11000194  | 996530000115 | BLACK COFFEEGRINDER MOTOR SUPPORT P124   |      |          |          |              |                                         |                        |
| 23  | 181540900 | 996530022784 | ELECTR.BOARD WITH SENSOR HAL506 SF-K     |      |          |          |              |                                         |                        |
| 24  | 123030200 | 996530011182 | RADIAL BEARING 61900.2RS1                |      |          |          |              |                                         |                        |
| 25  | 128381800 | 996530012374 | STEEL CRINKLE WASHER 21,8X14X0,25        |      |          |          |              |                                         |                        |
| 26  | 142905450 | 996530015258 | BLK UPPER BODY WITH COFFEE GROUND OUTLET |      |          |          |              |                                         |                        |
| 27  | 11008871  | 996530005073 | 3 POLES CONNECTOR MC SENSOR S0053 UL     |      |          |          |              |                                         |                        |
| 28  | 11002613  | 996530001314 | LOWER COFFEEGRINDER GEAR SUPPORT P124    |      |          |          |              |                                         |                        |
| 29  | 11002572  | 996530001308 | COFFEEGRINDER REGULATION SPRING P124     |      |          |          |              |                                         |                        |
| 30  | 11003784  | 996530001907 | COFFEE GRINDING ADJUSTMENT GEAR P0049    |      |          |          |              |                                         |                        |
| 31  | 11003446  | 996530001673 | BLACK BEAN COFFEE GRINDER INSERT P0049   |      |          |          |              |                                         |                        |
| 32  | 11002508  | 996530001296 | UPPER COFFEEGRINDER GEAR SUPPORT P124    |      |          |          |              |                                         |                        |
| 33  | 129914002 | 996530013165 | SCREW TCB TORX 10 3,5X16 PLAST.ZN-B      |      |          |          |              |                                         |                        |
| 34  | 129574802 | 996530012928 | SCREW TCB TORX 20 M4X30 ZN-B             |      |          |          |              |                                         |                        |
| 35  | U043.004  | 996530061808 | ZN-B TCB SCREW M4X16                     |      |          |          |              |                                         |                        |
| 36  | 128310402 | 996530012341 | GALV.WASHER UNI 8842 A4                  |      |          |          |              |                                         |                        |



HD8649/01-11-51 HD8651/01  
 HD8651/01-05-07-09-11-14-15-16  
 HD8651/17-19-21-27-29-31-41  
 HD8653/01-41 HD8645/67

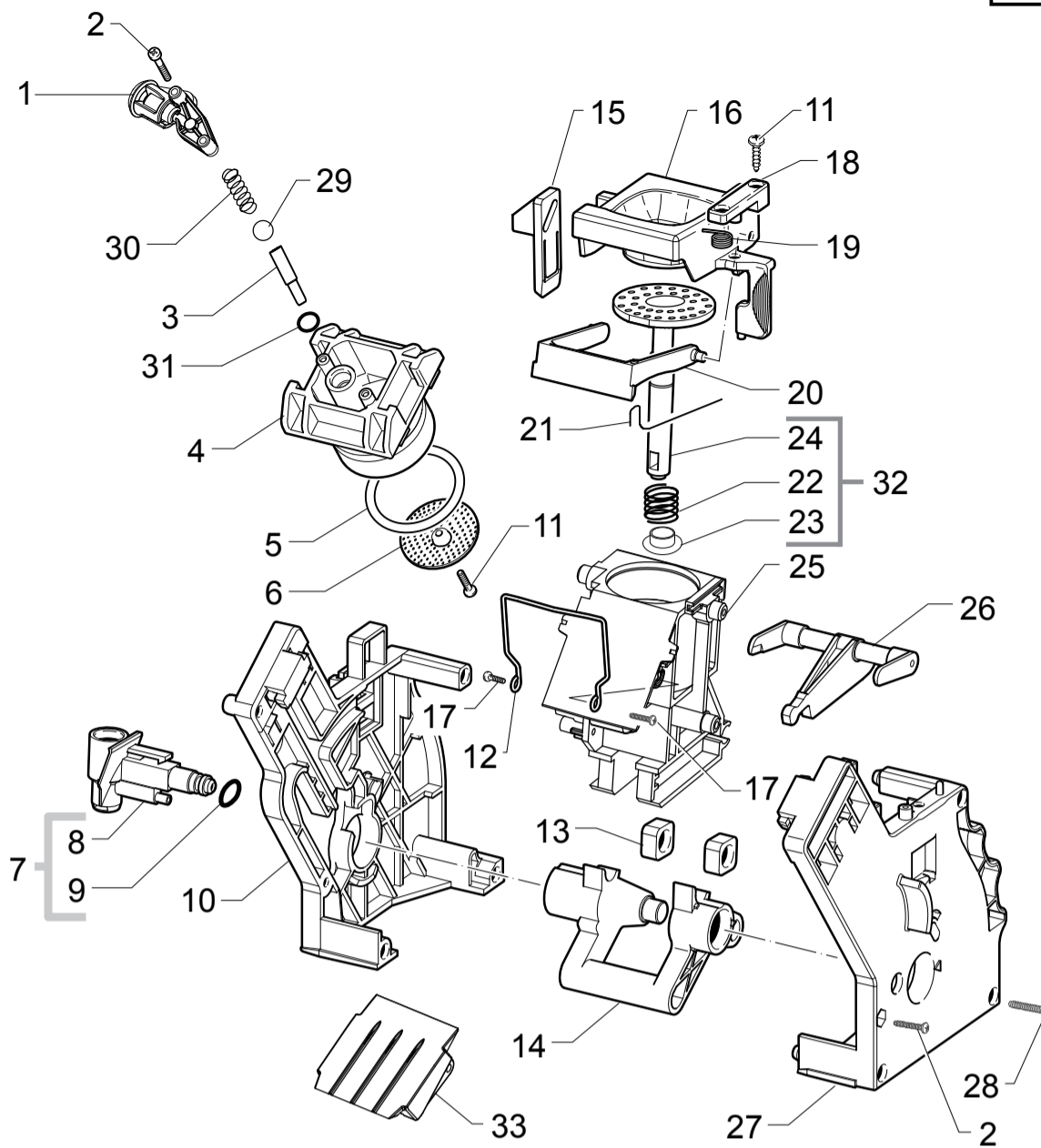
Cod.882864901870 - 882864911870 - 882864951870-882865101010  
 Cod.882865101020-105470-107710-109300-111010-114520-115470-116660  
 Cod.882865117710-119300-5121010-127710-129300-131010-141010  
 Cod.882865301870 - 882865341870 - 882864567520

**PHILIPS**



| POS | CODE      | 12NC         | DESCRIPTION                                                          | NOTE                   | POS | CODE | 12NC | DESCRIPTION | NOTE |
|-----|-----------|--------------|----------------------------------------------------------------------|------------------------|-----|------|------|-------------|------|
| 01  | NM01.057  | 996530059419 | OR ORM 0050-20 IN SILICONE                                           |                        |     |      |      |             |      |
| 02  |           | 421946025541 | MICROSWITCH XC/SM1 V                                                 |                        |     |      |      |             |      |
| 03  | 20000900  | 996530009913 | SPARES KIT GEARS FOR RATIOMOTOR V2                                   |                        |     |      |      |             |      |
| 04  | 9161.132  | 996530050569 | MYLAR WASHER FOR RATIOMOTOR                                          |                        |     |      |      |             |      |
| 05  | 11003037  | 996530001426 | MOTOR FOR RATIOMOTOR ASSY.                                           |                        |     |      |      |             |      |
| 06  | 9121.046  | 996530049898 | BRONZE SINTERED BUSH FOR MOTOR RATIOMOT.                             |                        |     |      |      |             |      |
| 07  | 148380200 | 996530017424 | BAKELIZZATE WASHER D=5,5                                             |                        |     |      |      |             |      |
| 08  | 9121.044  | 996530049896 | ANTIVIBRATION FOR MOTOR                                              |                        |     |      |      |             |      |
| 09  |           | 421946032321 | MICROSWITCH XG/V3D/VA2                                               |                        |     |      |      |             |      |
| 10  | 12001728  | 996530070321 | SCREW TCBR TORX 10 3,5X12 PLAST.SS                                   |                        |     |      |      |             |      |
| 11  |           | 421944060181 | PIN FOR FLOW SEL.FAUCET V2 PPS P0057 AS                              |                        |     |      |      |             |      |
| 12  |           | 421944059371 | PIN FOR FLOW SELECT.FAUCET PPS V2 P0057                              |                        |     |      |      |             |      |
| 13  | NM01.035  | 996530059399 | OR ORM 0090-20 SILICONE                                              |                        |     |      |      |             |      |
| 14  |           | 421944038901 | BLK BREW UNIT 8GR.5BAR V2 XS4<br><b>UP TO S.N. TW901546609697</b>    |                        |     |      |      |             |      |
|     |           | 421944057501 | BLK/YLW BREW UNIT 8GR.5BAR V3 XS4<br><b>FROM S.N. TW901546609698</b> |                        |     |      |      |             |      |
| 15  |           | 421941278153 | BLK RATIOMOTOR MOUNTING PLATE V3 XSMC AS                             |                        |     |      |      |             |      |
|     |           | 421944048301 | BLK RATIOMOTOR MOUNTING PLATE XSMC ULAS                              | HD8645/67              |     |      |      |             |      |
| 16  | 11003754  | 996530001899 | BLK RATIOMOT.MOUNTING PLATE COVER P0057                              |                        |     |      |      |             |      |
|     |           | 421944048321 | BLK RATIOMOT.MOUNT.PLATE COVER P0057 UL                              | HD8645/67<br>HD8651/14 |     |      |      |             |      |





HD8649/01-11-51 HD8651/01  
 HD8651/01-05-07-09-11-14-15-16  
 HD8651/17-19-21-27-29-31-41  
 HD8653/01-41 HD8645/67

Cod.882864901870 - 882864911870 - 882864951870-882865101010  
 Cod.882865101020-105470-107710-109300-111010-114520-115470-116660  
 Cod.882865117710-119300-5121010-127710-129300-131010-141010  
 Cod.882865301870 - 882865341870 - 882864567520

**PHILIPS**



| POS | CODE         | 12NC         | DESCRIPTION                                                                  | NOTE | POS | CODE      | 12NC         | DESCRIPTION                                                                 | NOTE |
|-----|--------------|--------------|------------------------------------------------------------------------------|------|-----|-----------|--------------|-----------------------------------------------------------------------------|------|
| 01  | 11009362     | 996530005415 | BLK COF.OUTLET SLEEVE BREW UNIT S0053 AS<br><b>UP TO S.N. TW901546609697</b> |      | 29  |           | 421944034451 | BOROSILICATE SPHERE D.5 MM                                                  |      |
|     |              | 421944065221 | BLK BREW UNIT COF.OUTLET SLEEVE SMR ASSY<br><b>FROM S.N. TW901546609698</b>  |      | 30  | 11012095  | 996530006305 | SS COFFEE UNIT CONTERPISTON SPRING S0053                                    |      |
| 02  | 12000550     | 996530007838 | SCREW TCB TORX 10 3X25 PLAST.SS                                              |      | 31  | 140328761 | 996530013575 | OR ORM 0060-15 TERMOIL                                                      |      |
| 03  | 11009276     | 996530005372 | BLK COUNTER PISTON TUBE BREW UNIT S0053                                      |      | 32  | 11023086  | 996530007577 | BLK 8GR.BREW UNIT NTEGR.PISTON GEN.ASSY.<br><b>UP TO S/N:TW901546609697</b> |      |
| 04  | 11001840     | 996530001046 | BLACK COUNTER PISTON BREW UNIT 8GR.P124                                      |      |     |           | 421944065811 | GRY BREW UNIT 8GR.INT.PISTON GEN.V3 ASSY<br><b>FROM S/N:TW901546609698</b>  |      |
| 05  | NM01.044     | 996530059406 | OR ORM 0320-40 SILICONE PTFE/FDA                                             |      | 33  | 17000737  | 996530073426 | BLACK BREW UNIT CONVEYOR SLIDE L=56,3                                       |      |
| 06  | 9161.268     | 996530050709 | PERCOLATOR DE=35,8 ELFO                                                      |      |     |           | 421944038901 | BLK BREW UNIT 8GR.5BAR V2 XS4<br><b>UP TO S.N. TW901546609697</b>           |      |
| 07  | 20000440     | 996530009825 | BLACK WATER INLET SLEEVE BREW UNIT ASSY.                                     |      |     |           | 421944057501 | BLK/YLW BREW UNIT 8GR.5BAR V3 XS4<br><b>FROM S.N. TW901546609698</b>        |      |
| 08  | 9161.064.050 | 996530050488 | BLACK WATER INLET SLEEVE BREW UNIT ROYAL                                     |      |     |           |              |                                                                             |      |
| 09  | NM02.007     | 996530059441 | OR 2025 IN TERMOIL                                                           |      |     |           |              |                                                                             |      |
| 10  | 9161.375.050 | 996530050832 | BLACK BREW UNIT REAR PLATE SMART                                             |      |     |           |              |                                                                             |      |
| 11  | 12000895     | 996530007951 | SCREW TSP TORX 10 3X10 PLAST.SS                                              |      |     |           |              |                                                                             |      |
| 12  | 11001556     | 996530000898 | SS BREW UNIT SPRING H=49 SMART<br><b>UP TO S.N. TW901546609697</b>           |      |     |           |              |                                                                             |      |
|     |              | 421944025811 | SS BREW UNIT SPRING H=49 PK<br><b>FROM S.N. TW901546609698</b>               |      |     |           |              |                                                                             |      |
| 13  | 9161.094.050 | 996530050539 | BLACK BREW UNIT DRILLED BLOCK                                                |      |     |           |              |                                                                             |      |
| 14  |              | 421944051231 | YLW BREW UNIT ELBOW SHAFT M5000                                              |      |     |           |              |                                                                             |      |
| 15  |              | 421944046931 | YLW BREW UNIT COUPLING PLATE V2 SMART                                        |      |     |           |              |                                                                             |      |
| 16  | 149261350    | 996530018241 | BLACK HOPPER DOSER BREW UNIT SMART1                                          |      |     |           |              |                                                                             |      |
| 17  | 129912521    | 996530013148 | SCREW TCB TORX 10 3,5X14 PLAST.SS                                            |      |     |           |              |                                                                             |      |
| 18  |              | 421944050711 | YLW BREWUNIT HOPPER BLOCKING PLATE SMART                                     |      |     |           |              |                                                                             |      |
| 19  | 9161.378     | 996530050838 | SS HOPPER SPRING FOR BREW UNIT SMART                                         |      |     |           |              |                                                                             |      |
| 20  | 11004161     | 996530002096 | BLACK SCRAPER FOR BREW UNIT M5000                                            |      |     |           |              |                                                                             |      |
| 21  | 9161.046     | 996530050455 | SS SCRAPER SPRING FOR BREW UNIT                                              |      |     |           |              |                                                                             |      |
| 22  | 9161.198     | 996530050627 | SS.8GR.BREW UNIT PISTON SPRING                                               |      |     |           |              |                                                                             |      |
| 23  | 9161.191     | 996530050618 | WHITE 8GR.-12GR.BREW UNIT PISTON BUSH                                        |      |     |           |              |                                                                             |      |
| 24  | 11003077     | 996530001451 | BLK BREW UNIT INTEGRAL PISTON 8GR.ASSY.<br><b>UP TO S.N. TW901546609697</b>  |      |     |           |              |                                                                             |      |
|     |              | 421944065791 | GRY BREW UNIT INTEGR.PISTON 8GR.V3 ASSY<br><b>FROM S.N. TW901546609698</b>   |      |     |           |              |                                                                             |      |
| 25  |              | 421944040801 | BLK BREW UNIT COFFEE CONT.V2 P124 ASSY.                                      |      |     |           |              |                                                                             |      |
| 26  | 11003078     | 996530001452 | BLACK CONNECTING ROD BREW UNIT 8GR.                                          |      |     |           |              |                                                                             |      |
| 27  | 11005920     | 996530003228 | BLACK BREW UNIT FRONT PLATE S/SCR.SMART                                      |      |     |           |              |                                                                             |      |
| 28  | 12000897     | 996530007953 | SCREW TCB TORX 10 3,5X20 PLAST.SS                                            |      |     |           |              |                                                                             |      |

**PHILIPS**

PHI 2000 VAPORE

TABLE 6/6