

**Saeco** SUP 021 YO  
INTERNATIONAL GROUP



Cod. 7 4 08 19 - 20

POS	CODE	DESCRIPTION	NOTE
01	142816500	WATER CONTAINER LID SMART NATURAL/GREY	
02	146580950	BLACK KNOB WATER CONTAINER LID SMAR	
03	144650800	WATER TANK FILTER	
04	149214359	BLACK CAP FOR FLOATING SPACE LAV.	
05	9161.112.150	LEVEL FLOAT GREY	
06	140328461	EPDM OR METRIC 0019-10	
07	140324362	OR METRIC 0060-30 IN SILICONE	
08	126764718	SPRING FOR WATER CONTAINER VALVE	
09	147660562	GREY PISTON FOR WATER VALVE	
10	222693500	WATER CONTAINER AS.SMART NATUR/GREY	
11	12000381	SCREW TSP PZ2/TT M3X8 UNI 8109 ZINC	
12	149194650	SUPPORT WATER CONTAINER W/O LAMP HOUSING	
13	283551900	2 POLE LEVEL SENSOR AS.SMART	230V
	283551955	2 POLE LEVEL SENSOR AS.SMART	120V
14	129910921	HI-LO TC SCREW 3X10 STEEL	
15	129661204	SCREW PANELVIT TCB 3X16 DIN7505 BRU	
16	175898600	UPPER TECHMATE INSERT FOR BOX SMART1	
17	175897300	LOWER TECHMATE INSERT FOR BOX SMART	
18	147623150	SQUARE ADHESIVE FOOT 5023 BLACK	
19	225920208	HANGGRIP SX SMART CHROMED	
20	129511803	SCREW TCB 2,9X6,4 DIN 7981 NICK	
21	178517600	DISPLAY BOX SAECO INCANTO S-CLASS	
22	148601650	GROMMET FOR POWER CABLE SMART	
23	229170450	SEALING SUPPORT AS.WATER DRIP TRAY	
24	142815800	BEAN COFF.CONT.LID SMART NATUR/GREY	
25	223070200	CONFECTION SAECO AQUA PRIMA	
26	227721800	GRIND.ADJUST.NATGREY KNOB SMART S/S	
27	U142.000	PANELVIT TSP 4,5X16 DIN 7505 A GAL	
28	179990300	BAND FOR LIFTING L=1550 H=300 MM	
29	0701.031.150	SEAL COVER GREY	
30	145842900	WATER CONTAIN.VALVE SEAL GACO DIM14	
31	0701.014.150	SEAL CONTAINER GREY	
32	NE03.038	BIPOLAR SWITCH FUSIT C1250AR	
33	145902250	INSERT FOR DECALCIFYING FILTER	
34	128310321	WASHER UNI 8842 A3 SS	
35	145854760	BEAN COFFEE CONTAINER SEAL SMART	
36	149202550	SWITCH GENERAL SUPPORT BLACK SMART	
37	229183750	BLACK SUPPORT GRATE METAL SMART	230V
	229183750	BLACK SUPPORT GRATE METAL SMART/UL	120V
38	145897300	INSERT GRINDING ADJUSTM.KNOB SMART	
39	147755800	INT.CASING PROTECTION POWER CABLE	

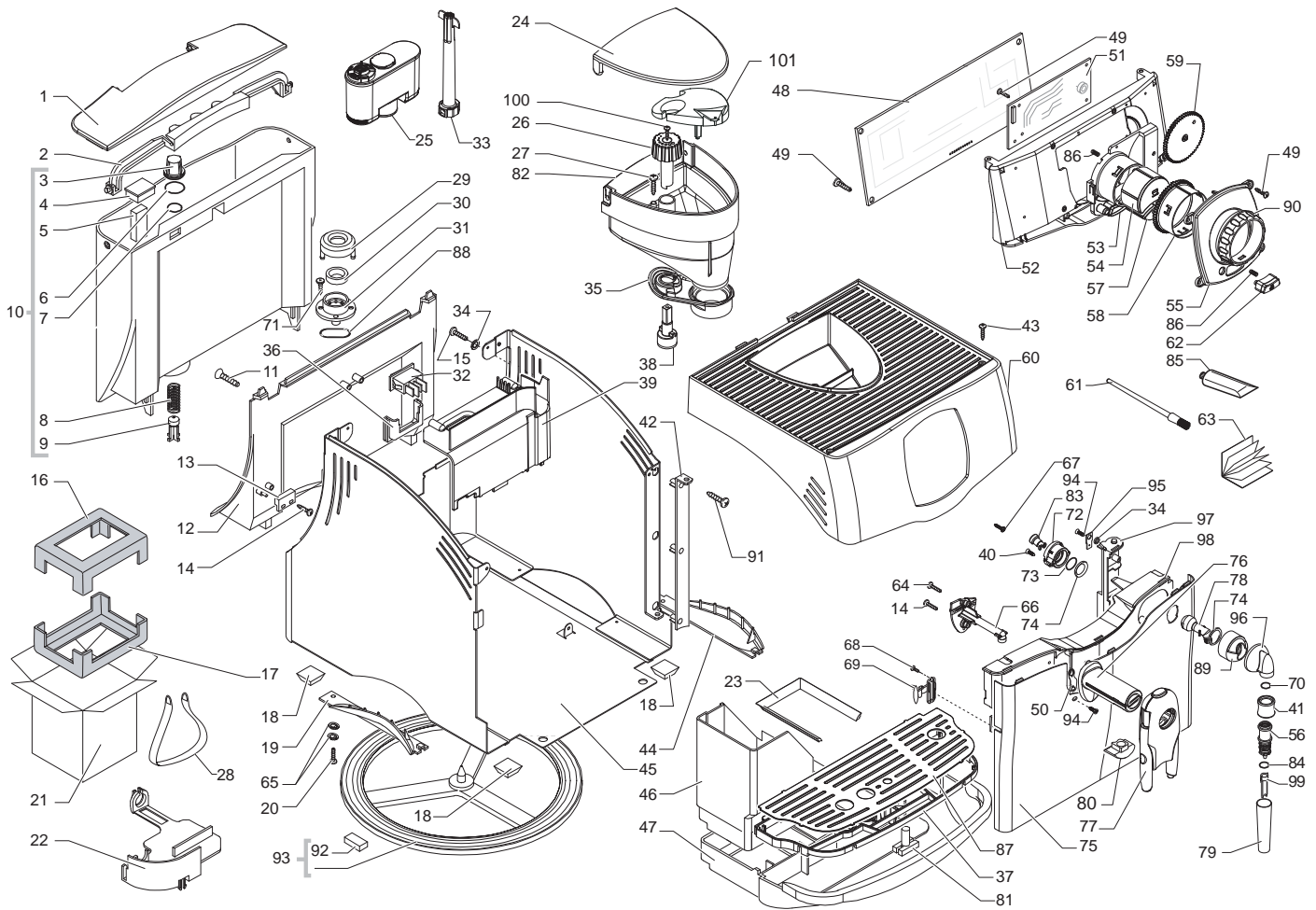
POS	CODE	DESCRIPTION	NOTE
40	129571521	SCREW TCB PH/SW 3X18 UNI 8112 INOX	
41	147757050	STEAM TUBE PROTECTION	
42	226481450	DOOR HINGE KIT SMART BLACK	UP TO S/N 9005SA40022836
	222630550	DOOR HINGE SMART BLACK	FROM S/N 9005SA40022837
43	U143.018	screw TORX TCB 3,5X16 F TIP BL	
44	225920108	HANGGRIP DX SMART CHROMED	
45	222360450	CASING WITH KNOB SMART BLACK	
46	11005555	BLACK DUMP BOX SMART SILK/SCREEN	
47	229630850	BLACK DRIP TRAY SMART	230V
	229630852	BLACK DRIP TRAY SMART/UL	120V
48	11002811	CPU/POWER ELECTR.BOARD RONDO'/V1	230V
	181556255	CPU/POWER ELECTR.BOARD RONDO'	120V
49	129661302	PANELVIT TCB SCREW 3X8 DIN 7505 ZNP	
50	127535820	PLATE FOR DOOR METALLIC SMART	
51	181555700	TOUCH PANEL ELECTRONIC BOARD RONDO'	
52	149201250	BLACK SUPPORT ELECTRONIC CARD RONDO'	230V
	149201252	BLACK SUPPORT ELECTRONIC CARD RONDO'	120V
53	149201350	SUPPORT FOR BUTTONS RONDO' BLACK	
54	149252350	BLACK BUTTON FOR ONE COFFEE	
55	224885350	FRONT PANEL BLACK RONDO' SILK/SCREEN	
56	222270249	UPPER TUBE ASS.FOR PANNARELLO	
57	149252450	BLACK BUTTON FOR TWO COFFEE	
58	149201450	BLACK SUPPORT FOR RING NUT RONDO'	
59	146002200	POTENTIOMETER GEAR Z=58 RONDO'	
60	222813150	COVER RONDO' BLACK W.O/OPEN S/SCREEN	
61	127390100	BRUSH FOR CLEANING	
62	149252550	BLACK BUTTON FOR STEAM RONDO'	
63	165896400	INSTRUCT.MANUAL SAECO TYPE SUP021YO	7 LANGUAGES
	165896417	INSTRUCT.MANUAL SAECO TYPE SUP021YO	GB/F/E
	165896427	INSTRUCT.MANUAL SAECO TYPE SUP021YO	D/F/I
64	129571121	SCREW TCB PH/SW 3X14 UNI 8112 INOX	
65	U207.003	PLAIN WASHER 3,2X7 UNI 6592 GAL	
66	149501250	COFFE.DISPENSER TUBE BLACK SMART V2	
67	129660902	PANELVIT TCB SCREW 3,5X12 D.7505 Z	
68	129670302	PANE.TCB SCREW 2,9X9,5 TES.D=7,5 ZN	
69	146313740	DISENGAGE LEVER GREY/SILVER DOOR SMART	
70	140324461	OR METRIC 0060-20 IN TERMOIL	
71	129535721	SCREW TSP3,5X9,5 DIN 7982 SS	
72	149200450	SUPPORT FOR ARTICULATED JOINT	
73	140329162	OR 117 IN SILICONE 70 SH	
74	148620900	SEMISPHERE SEAL FOR ARTICULAT.JOINT	

**Saeco**  
INTERNATIONAL GROUP

INCANTO RONDO'

Rev. 06 - 30/01/08

TABLE 1a/3

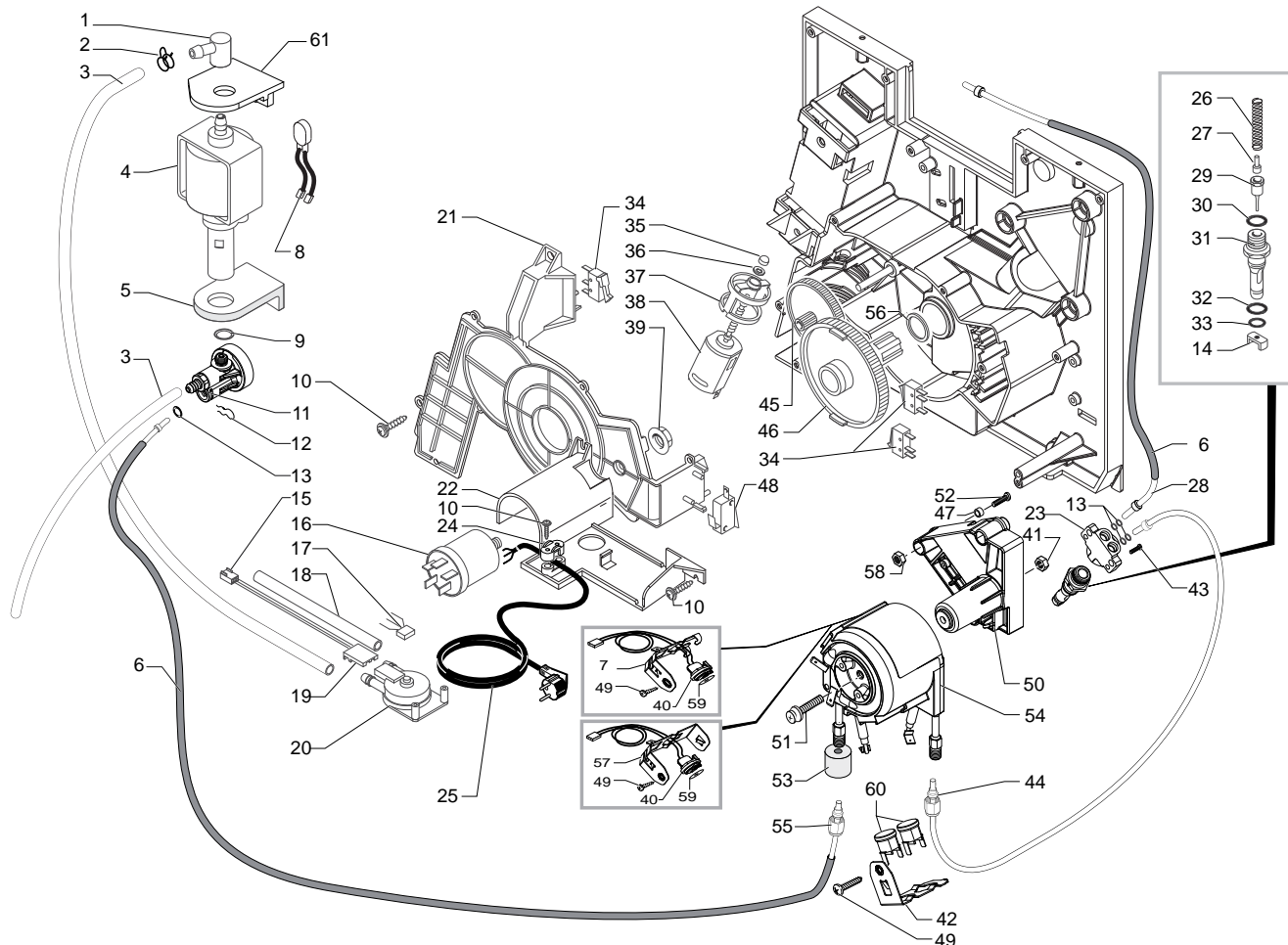


**Saeco** SUP 021 YO  
INTERNATIONAL GROUP



Cod. 7 4 08 19 - 20

POS	CODE	DESCRIPTION	NOTE	POS	CODE	DESCRIPTION	NOTE
75	228982950	DOOR METALL SMART BLACK					
76	229184604	COFFEE DISPENSER SUPPORT WITH LOGO					
77	223700950	BLACK COFFEE DISPENSER AS.SMART/DIG.					
78	147922249	CONNECTOR FOR ARTICULATED JOINT					
79	122842121	EXTERNAL COVER ST.STEEL PANNAR.G100					
80	145853462	SEAL FOR COFFEE DISPENSER V2 SMART					
81	145501211	RED FLOAT FOR DRIP TRAY SMART					
82	142714100	NATURAL/GREY BEAN CONTAINER SMART					
83	145896949	RETAINING INSERT TEFLON TUBE					
84	140320762	OR 108 IN SILICONE					
85	11005044	SAECO KLUBER TRIBOSTAR SIL 2 TUBE 5GR.					
86	126773418	SPRING FOR BUTTON RONDO'					
87	125743421	STAINLESS STEEL GRATE SMART					
88	140320461	SEAL FOR VALVE CONTAINER					
89	228660204	CONNECTOR FOR STEAM TUBE					
90	225110704	CHROME RING NUT FOR RONDO'					
91	129740202	SCREW TSP PH/TT 4X10 UNI 8113 ZNP	WITH DOOR HINGE V2				
	129511921	SCREW TCB 2,9X6,4 DIN 7981 BZ SS	WITH DOOR HINGE V3 - KIT				
		FROM S/N 9005SA40022837					
92	147623650	SQUARE ADHESIVE FOOT NB4256 BLACK					
93	220380259	ROTATING RING SMART WITH 3 FEET					
94	129562603	SCREW TSC PZ-B 2,9X9,5 UNI 6956 NI					
95	186401000	FLAT TABS 6,3 D=4,5 0010364200					
96	228660304	CONNECTOR FOR STEAM TUBE					
97	229183550	SUPPOR.HINGE DOOR METAL.SMART BLACK	230V				
	229183552	SUPPOR.HINGE DOOR METAL.SMART BLACK	120V				
98	229183150	SUPPORT DOOR METALLIC SMART BLACK	230V				
	229183152	SUPPORT DOOR METALLIC SMART BLACK	120V				
99	142271350	BLACK INTERN.INP.TUBE PANNAREL.G100					
100	129512504	SCREW TCB 2,9X9,5 DIN 7981 BURN					
101	147757800	BEAN CONT.PROTECT.SMART NATUR/GREY					

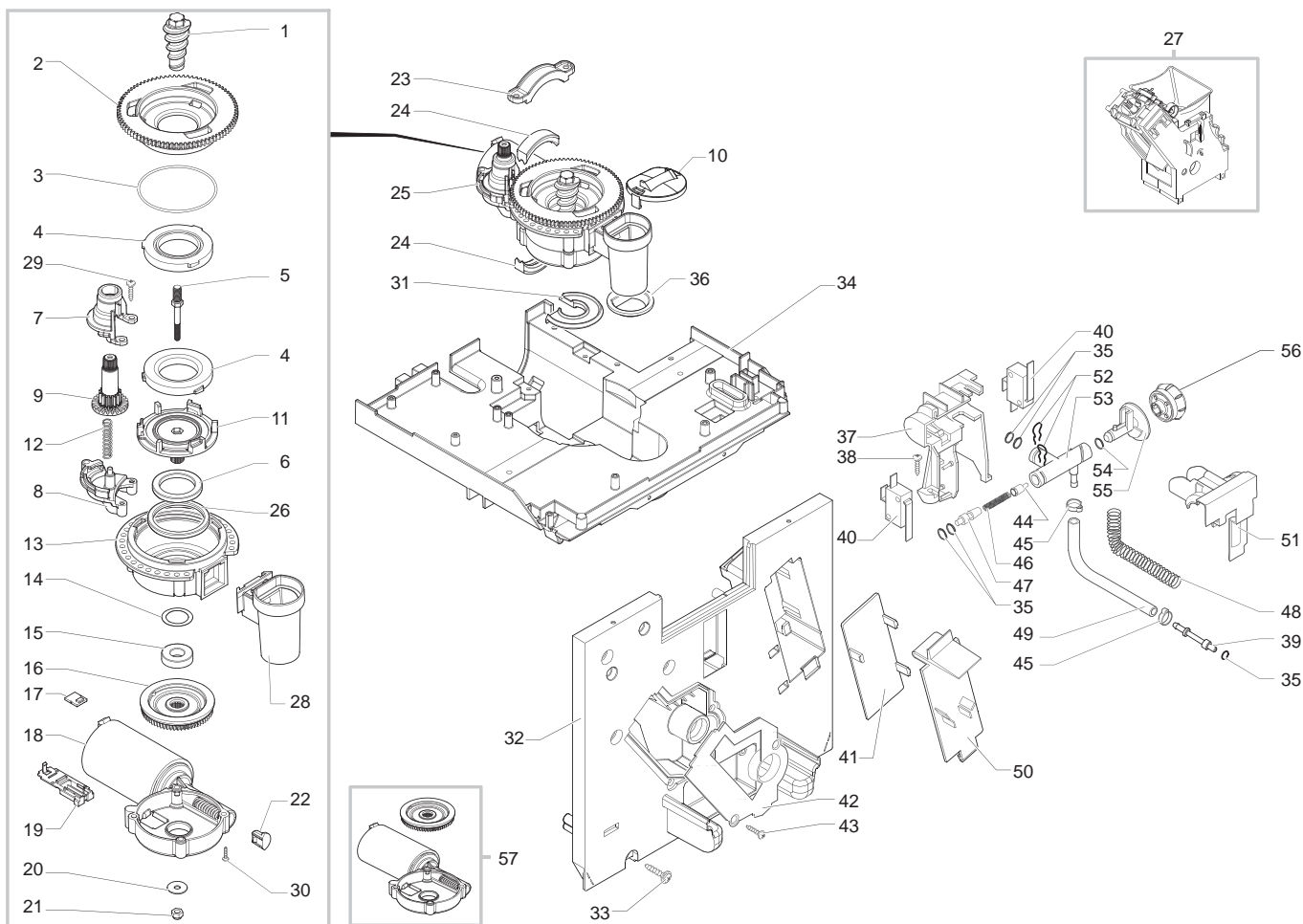


**Saeco** SUP 021 YO  
INTERNATIONAL GROUP

CE Cod. 7 4 08 19 - 20

POS	CODE	DESCRIPTION	NOTE	POS	CODE	DESCRIPTION	NOTE
01	147920150	90° CONNECTOR PUMP INLET		36	148380200	WASHER BAKELIZZATE D=5,5	
02	184320200	SPRING HOSE CLAMP D=9,5MM		37	9121.044	ANTIVIBRATION FOR MOTOR	
03	149360200	SILICONE TUBE 5X8 70SR	IN ROLL	38	11004839	GENER.MOTOR FOR RATIO MOTOR SMART1UL ASSY	
04	12000140	ULKA PUMP EP5/S GW	230V-50HZ	39	123453602	FLANGE NUT M8 TOOTHED BASE GALV.	
	12000131	ULKA PUMP EP5/S	120V-60HZ	40	288582300	SENSOR ELECT.BOARD WITH CONNECTOR	
05	149185850	EATON PUMP SUPPORT MAGIC 4002012		41	123453902	SELF-LOCKI.NUT M5X0,8 DIN 980 CLA.8	
06	149361200	BLACK SILICON TUBE 7,5X9,3	IN ROLL	42	126838117	2 THERMOSTATS FIXING SPRING	
07	126838217	SENSOR FIXING SPRING	FROM S/N 9004SA4010795	43	129910103	HI -LO TC SCREW 3,5X15 RIF.910189	
08	289204358	THERMAL PROTECTOR 120°C CAB.115/450	230V	44	227876800	CONNECTOR AS.TEFLON 2X4 L=235 MM	
	289204355	THERMAL PROTECTOR 120°C CAB.115/450	120V	45	9121.042	GEAR Z.12/90	
09	140321961	OR 2031 IN TERMOIL		46	9121.069.150	GEAR Z.108 FOR MOUNTING PLATE M4000	
10	129670202	PANE. TCB SCREW 3,5X16 TESTA D=8 Z		47	9161.206	INSULATING SPACER FOR BOILER	
11	229452100	COMPENSATION AND SAFETY VALVE ASSY		48	186723800	MICROSWITCH SAIA X3M502K2KAM92AS	
12	9011.144	FORK FOR TUBE D.4		49	129573202	SCREW TCB PH/TT 4X8 UNI 8112 ZNP	
13	140328059	OR 2015 IN SILICONE PTFE/FDA		50	20000204	SPARES KIT SUPPORT BOILER SMART	UP TO S/N 9005SA40220029
14	9011.099	CURSOR FOR BOILER VALVE IN PLASTIC			149197700	SUPPORT FOR ALUMINIUM BOILER SMART	FROM S/N 9005SA40220030
15	283551300	3POLE CONNECT.AS.TURBINE JP18 SMART		51	129932202	ROUND HEAD SCREW 10.9 M5X20 GALVANIZED	
16	184651100	ANTIDISTURB FILTER 0,47X2+1000Y2+0,5L	230V	52	U044.020	screw TSP M5,0X30 UNI 7688 GALVANIZED	UP TO S/N 9005SA40220029
	184651500	ANTIDISTURB FILTER 16A FNC 1610474472A	120V		129932502	SELF DRILLING SCREW 5X30 GALVANIZED	FROM S/N 9005SA40220030
		PARTICULAR NOT AVAILABLE	SEE PART. N°20	53	147756562	PROTECTION FOR FOLK SPRING TUBE D=4	
18	JS01.022	SILICONE TUBE 5X10 60 SHORE	IN ROLL	54	282058858	ALUM.BOILER 230V AS.WITH RESISTANCE	230V
19	9161.018	FORK FOR WATERWHEEL			282058855	ALUM.BOILER 120V AS.WITH RESISTANCE	120V
20	286473300	-M-VDE TURBINE WITH SENSOR KIT	WITH PART. N°17	55	227874900	CONNECTOR AS.TEFLON 2X4 L=250 MM	
21	9161.331.920	RATIOMOTOR COVER TRANSPARENT		56	9161.132	MYLAR WASHER FOR RATIOMOTOR	
22	149194800	TURBINE SUPPORT SMART		57	126838017	SENSOR FIXING SPRING	UP TO S/N 9004SA4010794
23	147922700	BOILER SUPPORT CONNECTOR		58	U310.003	NUT SELF LOCK.M5 UNI 7473	FROM S/N 9005SA40220029
24	148600600	CABLE CLAMP V0 MAGIC ESP COMBI UL		59	145951600	ELECTRIC INSULATING DISK D=16	
25	183911550	POWER CABLE SCHUKO BLACK L=1500		60	189428200	THERMOSTAT 175° 1NT-08L-3794	230V
	183930850	BLACK POWER CABLE CH H05+3FAST.L=1500MM			189428600	THERMOSTAT 175° 1NT-08L-5125	120V
	183940950	BLACK POWER CABLE AUST.H05+3FAS.L=1500		61	149205710	PUMP SUPPORT HOLE 13,2 RED	
	183922450	P.CABLE SJT 16AWG USA BLACK L=1500			289435200	GENERAL TURBINE FOR SMART ASSY.	
26	9011.132	SPRING FOR PIN			282135458	ALUM.BOILER 230V AS.WITH RESISTANCE	COMPLETE
27	11009013	TEA/BRASS PIN FOR PISTON L=10			282135455	ALUM.BOILER 120V AS.WITH RESISTANCE	COMPLETE
28	227874800	CONNECTOR AS.TEFLON 2X4 L=480 MM				WITH PART. N° 7-13-14-23-26-27-28-29-30-31-32	
29	11009019	TEA/BRASS PISTON L=20,9 ASSY.				33-40-41-42-43-44-49-50-51-53-54-55-57-58-59-60	
30	140320459	OR METRICO 0080-20 SILICONE.PTFE/FDA					
31	9011.100	PEG FOR VALVE IN PLASTIC					
32	NM01.035	OR ORM 0090-20 SILICONE					
33	NM01.057	OR ORM 0050-20 SILICONE					
34	NE05.038	MICROSWITCH					
35	9121.046	SINTERED BUSH FOR MOTOR					





**Saeco** SUP 021 YO  
INTERNATIONAL GROUP



Cod. 7 4 08 19 - 20

POS	CODE	DESCRIPTION	NOTE	POS	CODE	DESCRIPTION	NOTE
01	9141.001	SCREW OF INCREMENT				NOTE:FOR SINGLE PARTS OF OLD GRAY BREW UNIT:SEE EXP.CODE E90041	
02	149198250	UPPER GRINDER SUPPORT COFFEEGRINDER		28	222870250	GROUND COFFEE OUTLET CONVEYOR ASSY.	
03	140328960	NBR FDA OR METRIC 0530-15		29	129660102	PANELVIT TCB SCREW 3,5X18 D.7505 Z	
04	146520100	BAKED CLAY KLAGER GRINDER 48X28		30	129661702	PANELVIT TCB SCREW 3,5X25 D.7505 ZN	
05	127473603	PIN M4-M6 NICK.FOR INCREMENT SCREW		31	145854662	COFEGRIND.MOTOR ANTIVIBR.SEAL SMART	
06	123030300	AXIAL BEARING EKKO 342.35252		32	227533000	ASSEMBLY BOILER SUPPORT PLATE SMART	
07	149199750	UPPER GEAR SUPPORT COFFEEGRINDER SMART		33	129670202	PANELVIT TCB SCREW 3,5X16 TESTA D-8 Z	
08	149199850	LOWER GEAR SUPPORT COFFEEGRINDER SMART		34	11006440	BLACK GRINDER SUPPORT PLATE V3 SMART1	
09	146002150	COFFEE GRINDING ADJUSTMENT GEAR SMART		35	140328059	OR 2015 IN SILICONE PTFE/FDA	
10	142816950	LID GROUND COFFEE OUTLET CONVEYOR		36	145854462	GROUND COFFEE CONT.SEAL LOWER SMART1	
11	149198350	LOWER GRINDER SUPPORT COFFEEGRINDER		37	11005343	BLACK FAUCET SUPPORT V2 SMART	
12	126772918	SPRING FOR ADJUSTMENT GRINDING GEAR		38	129660902	PANELVIT TCB SCREW 3,5X12 D.7505 Z	
13	142905450	UPPER BODY WITH COFFE.GROUND OUTLET		39	227961303	STRAIGHT CONNECTOR	
14	128381800	CRINKLE WASHER 21,8X15,8X0,2		40	186724200	MICROSWITCH SAIA X3M502K2KAJ32AV	
15	123030200	RADIAL BEARING 61900.2RS1		41	9161.345.050	INT.COVERING BLACK PUMP SPACE	
16		PARTICULAR NOT AVAILABLE	SEE PART. N°57	42	9161.333.050	BOILER BLACK COVER	
	226000300	GEAR SX Z=38 ASS.FOR GRINDER MOTION		43	129535721	SCREW TSP3,5X9,5 DIN 7982 SS	
		FROM S/N 9005SA40384924		44	11009018	TEA/BRASS PISTON L=15,1 ASSY.	
17	20000230	KIT SPARES FOR SENSOR MC/V3 SMART 230V		45	NF11.052	OETIKER CLIP	
		UP TO S/N 9005SA90357734		46	126765317	STEEL SPRING BOIL. PISTON MAG.9011	
	181540900	ELECTRONIC BOARD WITH SENSOR HAL506		47	11009007	TEA/BRASS CAP FOR FAUCET NESPRESSO	
		FROM S/N 9005SA90357735		48	126772018	SPRING DI=7,5 FOR FABRIC FINISH TUB	
18		PARTICULAR NOT AVAILABLE	SEE PART. N°57	49	JS01.019	SILIC. TUBE FABRIC FINISH 3X7	IN ROLL
		UP TO S/N 9005SA40384923		50	9161.332.050	EXT.COVERING BLACK PUMP SPACE	
	11004354	MOTOR COFFEEGRINDER/V3.1 IME ASSY.	230V	51	147756400	PROTECTION FAUCET BODY WATER/STEAM	
		FROM S/N 9005SA40384924 - ONLY 230V		52	9011.144	FORK FOR TUBE D.4	
	11004409	MOTOR COFFEEGRINDER/V3.1 IME ASSY.	120V	53	11003733	TEA/BRASS STEAM FAUCET	
		FROM S/N 9005SA40384924 - ONLY 120V		54	140328561	OR D=4,18 X 1,90 IN TERMOIL	
19	149199050	SENSOR SUPPORT FOR COFF.GRIND.MOTOR		55	140640300	FAUCET SHAFT FOR SMART	
20	128381902	FLAT WASH.DI=4,3 DE=14 SP=1,5 GALV.		56	227710904	STEAM KNOB ZAMAS CHROM.PLATED SMART	
21	123453102	SELF LOCK NUT M4 DIN 982 HIGH GALV.		57	20000202	SPARES KIT MOTOR COFFEEGRINDER/V3 230V	WITH PART. N°16 , 18
22	149214800	CAP FOR WORM SCREW MC/V3 CENTRING				UP TO S/N 9005SA40384923 - ONLY 230V	
23	144752300	DEADLOCK MOTOR FLANGE SMART1			20000410	SPARES KIT MOTOR COFFEEGRINDER/V3 120V	WITH PART. N°16 , 18
24	145854562	COFFEGRIND.MOTOR SUPPORT SEAL SMART1				UP TO S/N 9005SA40384923 - ONLY 120V	
25	11000516	GENERAL MOTOR ASS.MC/V3.1	230V				
	11000514	GENERAL MOTOR ASS.MC/V3.1	120V				
26	140360500	FELT RING 45,4X39,4X4					
27	11003427	BLACK BREW UNIT V3 NEW SMART					
		(SEE COD. EXP. E90047)					

**Saeco**  
INTERNATIONAL GROUP

INCANTO RONDO'

Rev. 05 - 30/01/08

TABLE 3/3