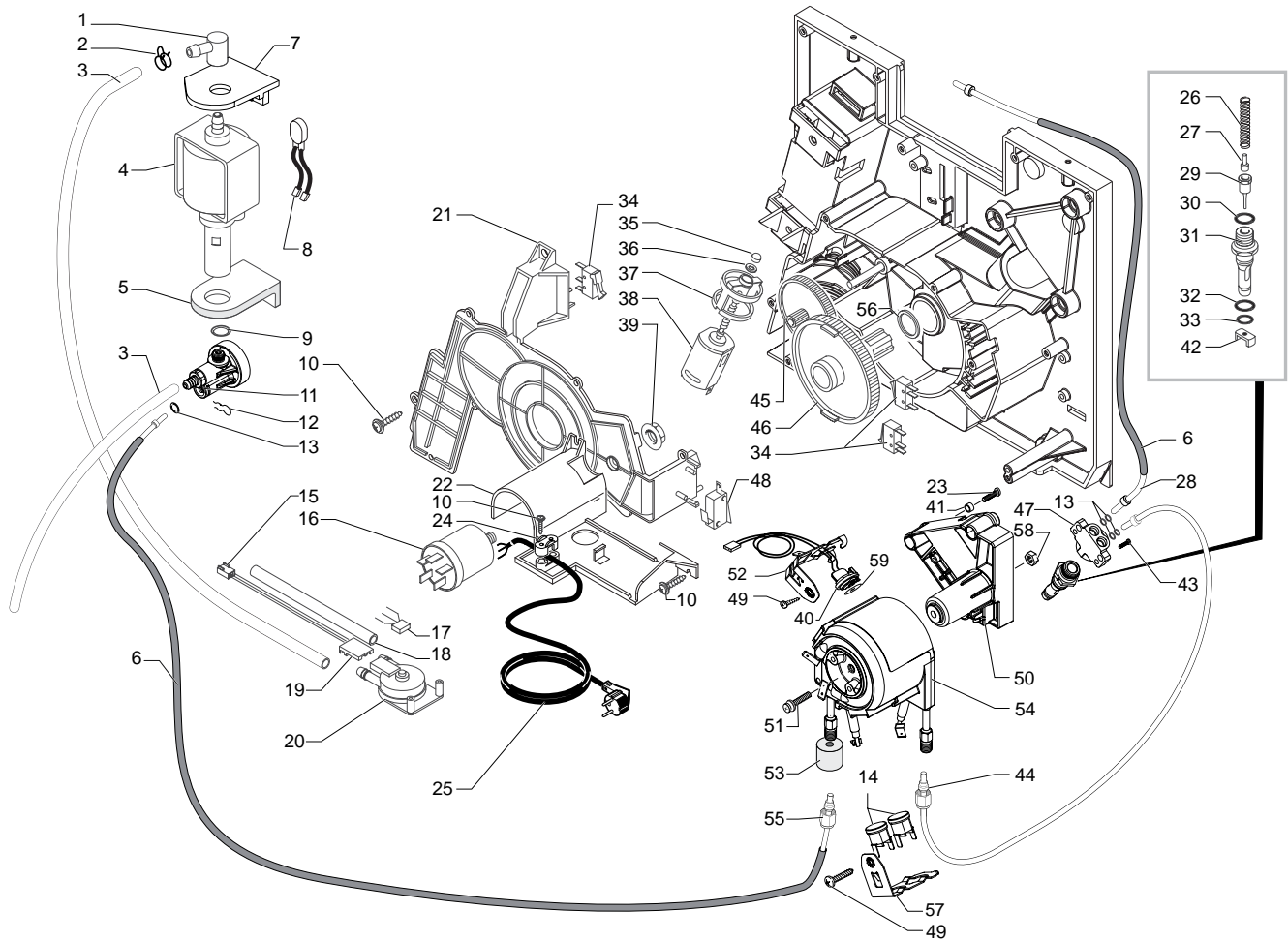


**Saeco** SUP 021 Y  
INTERNATIONAL GROUP

**Cod. 1000071-114-220-502**

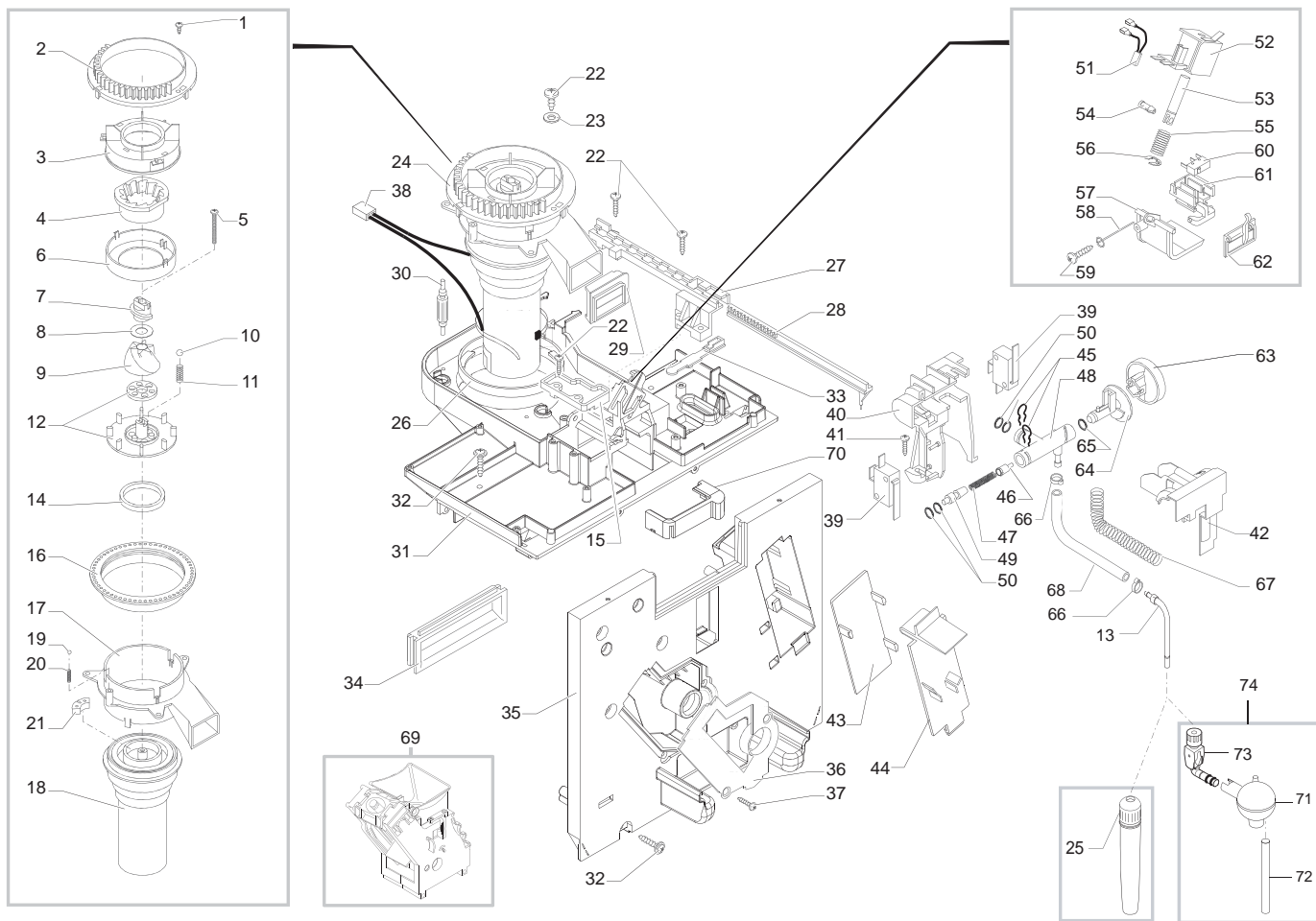
POS	CODE	DESCRIPTION	NOTE	POS	CODE	DESCRIPTION	NOTE
01	222762841	WATER CONTAINER LID SMART SILVER		45	11001021	MATT SILVER CASING SMART	
02	146580950	BLACK KNOB WATER CONTAINER LID SMAR		46	11005555	BLACK DUMP BOX SMART SILK/SCREEN	
03	144650800	WATER TANK FILTER		47	229630850	BLACK DRIP TRAY SMART	
04	149214359	BLACK CAP FOR FLOATING SPACE LAV.		48	181553158	TERMINAL BOARD SMART SUP021Y	230V
05	9161.112.150	LEVEL FLOAT GREY		49	181553155	TERMINAL BOARD SMART SUP021Y	120V
06	140328461	EPDM OR METRIC 0019-10		50	129661302	PANELVIT TCB SCREW 3X8 DIN 7505 ZNP	
07	140324362	OR METRIC 0060-30 IN SILICONE		51	222762741	GROUND COFF. CONTEN.LID SMART SILVER	
08	126764718	SPRING FOR WATER CONTAINER VALVE		52	281561300	TOUCH PANEL ELECTRON.BOARD AS.SMART	
09	147660562	GREY PISTON FOR WATER VALVE		53	149194450	BLACK SUPPORT ELECTRONIC CARD SMART	
10	222693580	WATER CONTAINER AS.SMART TRANS/GREY		54	149194418	BLACK SUPPORT ELECTRONIC CARD SMART	
11	222693280	AS.WATER CONTAINER GREY/TRANS.SMART	WITHOUT PART. N°3 - 6	55	129533202	SCREW TSP2TORX T10 3,5X9,5 D7982 NI	
12	12000381	SCREW TSP P22/TT M3X8 UNI 8109 ZINC		56	129912202	SCREW TCB TORX T10 3X12 UNI 9786 ZN	
13	149194650	SUPPORT WATER CONTAINER W/O LAMP HOUSING		57	11000704	FRONT PANEL SILVER SMART S/S.SYMBOLS	
14	149194618	SUPPORT WATER CONTAINER W/O LAMP HOUSING		58	179990300	BAND FOR LIFTING L=1550 H=300 MM	
15	283551900	2 POLE LEVEL SENSOR AS.SMART	230V	59	129532521	SCREW TSP2,9X9,5 DIN 7982 SS	
16	283551955	2 POLE LEVEL SENSOR AS.SMART	120V	60	149260850	HOPPER BLACK GROUND COF.DOSE SMART	
17	129910921	HI-LO TC SCREW 3X10 STEEL		61	145851950	GROUND COFFEE. CONT.SEAL UPPER SMART	
18	145902250	INSERT FOR DECALIFYING FILTER		62	11000518	SILVER COVER SMART S/SCREEN CAPPUCCINO	
19	175897200	UPPER TECHMATE INSERT FOR BOX SMART		63	11002003	SILVER COVER SMART/UL S/SCRE.CAPPUCCINO	
20	175897300	LOWER TECHMATE INSERT FOR BOX SMART		64	127390100	BRUSH FOR CLEANING	
21	147623150	SQUARE ADHESIVE FOOT 5023 BLACK		65	146680850	BLACK COFFEE MEASURE SMART	
22	225920241	HANGRIP SX SMART SILVER		66	15000100	INSTRUCT.MANUAL SAECO TYPE SUP021Y	7 LANGUAGES
23	129511803	SCREW TCB 2,9X6,4 DIN 7981 NICK		67	15000142	INSTRUCT.MANUAL SAECO TYPE SUP021Y	D/F/I
24	13000061	DISPLAY BOX SAECO INCANTO CAPPUCCINO		68	0301.961	WATER HARDNESS TEST	
25	147623650	SQUARE ADHESIVE FOOT NB4256 BLACK		69	149501250	COFFE.DISPENSER TUBE BLACK SMART V2	
26	220380259	ROTATING RING SMART WITH 3 FEET	WITH PART. N°22	70	U109.030	SCREW AUT.TCB 2,9X16 DIN 7981 C	
27	222762641	BEAN COFF.CONTAIN.LID SMART SILVER		71	229186241	COFFEE DISPENSER HEAD SUPPORT SMART/EASY	
28	142813879	TRANS/BLU LID SAFETY AROME CAF.CONT.SMAR		72	11005044	SAECO KLUBER TRIBOSTAR SIL 2 TUBE SGR.	
29	227721359	COF.DOSE ADJUS.GREY KNOB SMART S/SC		73	126772718	SPRING FOR DOOR P107	
30	U140.004	PANELVIT TCB 3,0X12 DIN 7505 B GAL		74	146313740	DISENGAGE LEVER GREY/SILVER DOOR SMART	
31	227721459	GRIND.ADJUSTM.GREY KNOB SMART S/SCR		75	129535721	SCREW TSP3,5X9,5 DIN 7982 SS	
32	0701.031.150	SEAL COVER GREY		76	145898300	GREY RETAINING INSERT COFFEE DISPENSER	
33	145842900	WATER CONTAIN.VALVE SEAL GACO DIM14		77	NF11.084	FOLK SPRING	
34	0701.014.150	SEAL CONTAINER GREY		78	9161.384	SPACER FOR CONNECTION STEAM TUBE	
35	NE03.028	MOLVENO SWITCH B1031C1181000		79	228982341	DOOR SMART SILVER	
36	129661204	SCREW PANELVIT TCB 3X16 DIN7505 BRU		80	222824741	SILVER COFFEE DISPENSER COVER SMART/EASY	
37	128310321	WASHER UNI 8842 A3 SS		81	147921750	DEG.CONNECTOR BLAC.STEAM TUBE SMART	
38	146000850	GEAR COFF. GRIND. ADJUSTMENT COMBI		82	222822641	COVER CONNec.STEAM TUB.SMART SILVER	
39	149202550	BLACK SWITCH GENERAL SUPPORT SMART		83	147370850	BLACK MOBILE PART COFFEE DISPENSER SMART	
40	145852360	BEAN COFFEE CONTENIT.SEAL SMART			229170450	SEALING SUPPORT AS.WATER DRIP TRAY	
41	146001950	COFFEE DOSE ADJ.GEAR BLACK SMART			145501211	RED FLOAT FOR DRIP TRAY SMART	
42	147755800	INT.CASING PROTECTION POWER CABLE			142713879	BEAN CONTAINER TRANSP/BLUE SMART	
43	148601650	GROMMET FOR POWER CABLE SMART			225741041	GRATE FOR SMART PAINTED SILVER	
44	140320461	OR METRICO 0080-20 IN TERMOIL					
45	226481441	DOOR HINGE KIT SMART SILVER					
46	129511903	SCREW TCB 2,9X6,4 DIN 7981 BZ NICK					
47	225920141	HANGRIP DX SMART SILVER					



**Saeco** SUP 021 Y  
INTERNATIONAL GROUP

Cod. 1000071-114-220-502

POS	CODE	DESCRIPTION	NOTE	POS	CODE	DESCRIPTION	NOTE
01	147920150	90° CONNECTOR PUMP INLET		37	9121.044	ANTIVIBRATION FOR MOTOR	
02	184320200	SPRING HOSE CLAMP D=9,5MM		38	11004861	GEN.MOTOR FOR RATIOMOTOR SMARTV2 UL ASSY	
03	149360200	SILICONE TUBE 5X8 70SR	IN ROLL	39	123453602	FLANGE NUT M8 TOOTHED BASE GALV.	
04	12000140	ULKA PUMP EP5/S GW	230V-50HZ	40	288582300	SENSOR ELECT.BOARD WITH CONNECTOR ASSY.	
	12000130	ULKA PUMP EP5/S GW	100V-50/60HZ	41	9161.206	INSULATING SPACER FOR BOILER	
05	149185850	EATON PUMP SUPPORT MAGIC 4002012		42	9011.099	CURSOR FOR BOILER VALVE IN PLASTIC	
06	149361200	BLACK SILICON TUBE 7,5X9,3	IN ROLL	43	129910103	HI-LO TC SCREW 3,5X15 RIF.910189	
07	149205710	PUMP SUPPORT HOLE 13,2 RED		44	227876800	CONNECTOR AS. TEFLON 2X4 L=235 MM	
08	0311.807	YELLOW HARNESS KLIXON JP 13	230V	45	9121.042	GEAR Z.12/90	
	289201000	THERMAL. PROTECT 120°C CABLE.125/3	120V	46	9121.069.150	GEAR Z.108 FOR MOUNTING PLATE M4000	
09	140321961	OR 2031 IN TERMOIL		47	147922700	BOILER SUPPORT CONNECTOR	
10	129670202	PANE. TCB SCREW 3,5X16 TESTA D=8 Z		48	186723800	MICROSWITCH SAIA X3M502K2KAM92AS	
11	229452100	COMPENSATION AND SAFETY VALVE ASSY		49	129573202	SCREW TCB PH/TT 4X8 UNI 8112 ZNP	
12	9011.144	FORK FOR TUBE D.4		50	149197700	SUPPORT FOR ALLUMINIUM BOILER SMART	
13	140328059	OR 2015 IN SILICONE PTFE/FDA		51	129932202	ROUND HEAD SCREW 10,9 M5X20 GALV	
14	189428200	THERMOSTAT 175° INT-08L-3794		52	126838217	SENSOR FIXING SPRING	
15	283551300	3POLE CONNECT.AS.TURBINE JP18 SMART	230V	53	147756562	PROTECTION FOR FOLK SPRING TUBE D=4	
16	184651100	ANTIDISTURB FILTER 0,47X2+1000Y2+0,5L		54	282058858	ALUM.BOILER AS.WITH RESISTANCE	230V
17		PARTICULAR NOT AVAILABLE	SEE PART. N° 20		282058854	ALUM.BOILER AS.WITH RESISTANCE	120V
18	JS01.022	SILICONE TUBE 5X10 60 SHORE	IN ROLL	55	227874900	CONNECTOR AS.TEFLON 2X4 L=250 MM	
19	9161.018	FORK FOR WATERWHEEL		56	9161.132	MYLAR WASHER FOR RATIOMOTOR	
20	286473300	-M-VDE TURBINE WITH SENSOR KIT	WITH PART. N° 17	57	126838117	2 THERMOSTATS FIXING SPRING	
21	9161.331.920	RATIOMOTOR COVER TRANSPARENT		58	123453902	SELF-LOCKI.NUT M5X0,8 DIN 980 CLA.8	
22	149194800	TURBINE SUPPORT SMART		59	145951600	ELECTRIC INSULATING DISK D=16	
23	129932502	SELF DRILLING SCREW 5X30 GALVANIZED					
24	148600600	CABLE CLAMP V0 MAGIC ESP COMBI UL					
25	183910450	POWER CABLE SCHUKO BLACK L=1500					
	183930250	POW.CABLE CH BLACK H05+3FAST.L=1500					
	183940250	BLACK POWER CABLE AUSTR.H05+FAST.L=1500					
	183980450	POWER CABL.JAPPON VCTF BLACK L=1590					
26	9011.132	SPRING FOR PIN					
27	11009013	TEA/BRASS PIN FOR PISTON L=10					
28	227874500	CONNECTOR AS.TEFLON 2X4 L=330 MM					
29	11009019	TEA/BRASS PISTON L=20,9 ASSY.					
30	140320459	OR METRICO 0080-20 SILICONE.PTFE/FDA					
31	9011.100	PEG FOR VALVE IN PLASTIC					
32	NM01.035	OR ORM 0090-20 SILICONE					
33	NM01.057	OR ORM 0050-20 SILICONE					
34	NE05.038	MICROSWITCH					
35	9121.046	SINTERED BUSH FOR MOTOR					
36	148380200	WASHER BAKELIZZATE D=5,5					
					282133654	ALUM.BOILER WITH RESISTANCE SMART 100V	COMPLETE
					282133658	ALUM.BOILER WITH RESISTANCE SMART 230V	COMPLETE
						WITH PART. POS. N° 13-14-26-27-28-29-30-31-32-33-40-42-43-44-47-49-50-51-52-53-54-55-57-58-59	



**Saeco** SUP 021 Y  
INTERNATIONAL GROUP

CE Cod. 1000071-114-220-502

POS	CODE	DESCRIPTION	NOTE	POS	CODE	DESCRIPTION	NOTE
01	129511803	SCREW TCB 2,9X6,4 DIN 7981 NICK		40	11005343	BLACK FAUCET SUPPORT V2 SMART	
02	148650250	SECTOR GEARGRIND ADJUSTMENT KNOB COMBI		41	129660902	PANELVIT TCB SCREW 3,5X12 D.7505 Z	
03	149186150	BLACK UPPER GRINDER SUPPORT MAGIC		42	147756400	PROTECTION FAUCET BODY WATER/STEAM	
04		PARTICULAR NOT AVAILABLE	SEE PART. N°9	43	9161.345.050	INT.COVERING BLACK PUMP SPACE	
05	129931002	TORX SCREW T10 TCB 3,5X40 SX ZNG		44	9161.332.050	EXT.COVERING BLACK PUMP SPACE	
06	142844550	UPPER GRINDER COVER COFFEE GRIND. MAGIC		45	9011.144	FORK FOR TUBE D.4	
07	147470763	INCREASE SCREW PIN COFFEE GRINDER MAGIC		46	11009018	TEA/BRASS PISTON L=15,1 ASSY.	
08	U201.002	PLAIN WASHER 10X16X0,2DIN 988 GAL		47	126765317	STEEL SPRING BOIL. PISTON MAG.9011	
09	226473500	KIT TECNA GRINDERS	WITH PART. N°4	48	11003733	TEA/BRASS STEAM FAUCET	
10	128610521	STAIL. STEEL AISI 304 SPHERE D=5,5MM		49	11009007	TEA/BRASS CAP FOR FAUCET NESPRESSO	
11	126765517	STEEL SPRING SPHERE D=5,5 MOTOR MAGIC		50	140328059	OR 2015 IN SILICONE PTFE/FDA	
12	149188750	CONICAL GRIND. SUPP. + RING MAGIC		51	289202200	THERMAL PROTECTOR 100°C	
13	229381408	CHROMED STEAM TUBE AS.SMART		52	283770658	ELECTROM.CABLE L=200 AS.SMART	230V
14	140360200	FELT RING 40X34X5			283770755	V2 COFFEE DOSER COIL ASS.	120V
15	145895400	INSERT FOR DOSER SMART		53	9161.041	DOSER ELECTROMAGNET CORE	
16	146570950	RING NUT FOR GRINDING ADJUSTMENT MAGIC		54	9161.076.150	DOSER DOOR PIN GREY	
17	149194200	GRINDER MOTOR SUPPORT SMART		55	126764818	SPRING ELECTROM.BEAN DOSER MAGIC	
18	9141.075.00A 9141.075.00F	MOTORE X MC MIELE WERKS NORME MOTOR MC MIELE WERKS NORME	230V 120V	56	U701.003	SNAP RING 7 UNI 7434	
19	128610421	STAIL. STEEL AISI 304 SPHERE D=3,2MM		57	9161.074.150	DOSER DOOR GREY	
20	126770117	NEW SPRING SPHERE D=3,2 MOTOR MAGIG		58	9161.048	SCRAPER ROD	
21	140230400	SHOCK ABS .CONICAL GRINDER SUPP.MAGIC		59	U140.004	PANELVIT TCB 3,0X12 DIN 7505 B GAL	
22	129660102	PANELVIT TCB SCREW 3,5X18 D.7505 Z		60	NE05.017	MICROSWITCH	
23	U207.004	PLAIN WASHER 4,3X16 UNI 6592 GAL		61	149185959	BEAN DOSER MICRO SUPORT MAGIC	
24	286883958 20000323	GENERAL MOTOR ASSY.SMART GENERAL MOTOR AS.G100 SMART	230V 120V	62	148700559	COFFEE DOSER DOSE ADJ. SEL. GR MAG	
25	227431250	BLACK/BLACK PANNARELLO PLASTIC ASSY.		63	227701304	STEAM KNOB ZAMAS CHROM.PLATED SMART	
26	9141.052	COFFEEGRINDER REINFORCING RING		64	140640300	FAUCET SHAFT FOR SMART	
27	147572150	PLATE FIXING TOOTHED SLIDE SMART		65	140328561	OR D=4,18 X 1,90 IN TERMOIL	
28	148740550	TOOTHED SLIDE FOR DOSE ADJUST SMART		66	NF11.052	OETIKER CLIP	
29	145851862	GROUND COFFEE OUTLET SEAL SMART		67	126772018	SPRING DI=7,5 FOR FABRIC FINISH TUB	
30	9991.103	ANTIVIBRATION FOR COFFEEGRINDER		68	JS01.019	SILIC. TUBE FABRIC FINISH 3X7 ROL	
31	147531500 147531518	GRINDER SUPPORT PLATE P107 GRINDER SUPPORT PLATE P107/UL		69	11004183	BLACK BREW UNIT NEW P107 (SEE COD. EXP. E90052)	
32	129670202	PANE. TCB SCREW 3,5X16 TESTA D=8 Z				NOTE:FOR SINGLE PARTS OF OLD GRAY BREW UNIT: SEE EXP.CODE E90029	
33	9161.122.150	DOSE ADJUSTMENT LEVER GREY CLASSIC		70	145852560	GROUND COFFEE CONT.SEAL LOWER SMART	
34	145895350	BLACK INSERT FOR MOUNT.PLATE SMART		71	222520550	SPHERICAL CAPPUCCIATORE ASS.BLACK	
35	227533000	ASSEMBLY BOILER SUPPORT PLATE SMART		72	149360400	SILICONE TUBE 3,5X6	IN ROLL
36	9161.333.050	BOILER BLACK COVER		73	227910650	90 DEG CONN. (FIXED) CAPPUCCIAT.BLACK	
37	129535721	SCREW TSP3,5X9,5 DIN 7982 SS		74	11001977	BLACK GEN. SPHERICAL CAPPUCCIATORE AS.	
38	283544900 283544955	2POLES CONN.AS.COF.GRIN.JP1 33MH CA 2POLES CONN.AS.COF.GRIN.JP1 33MH CA	230V 120V				
39	186724200	MICROSWITCH SAIA X3M502K2KAJ32AV					