

**Saeco** SUP030ND  
INTERNATIONAL GROUP



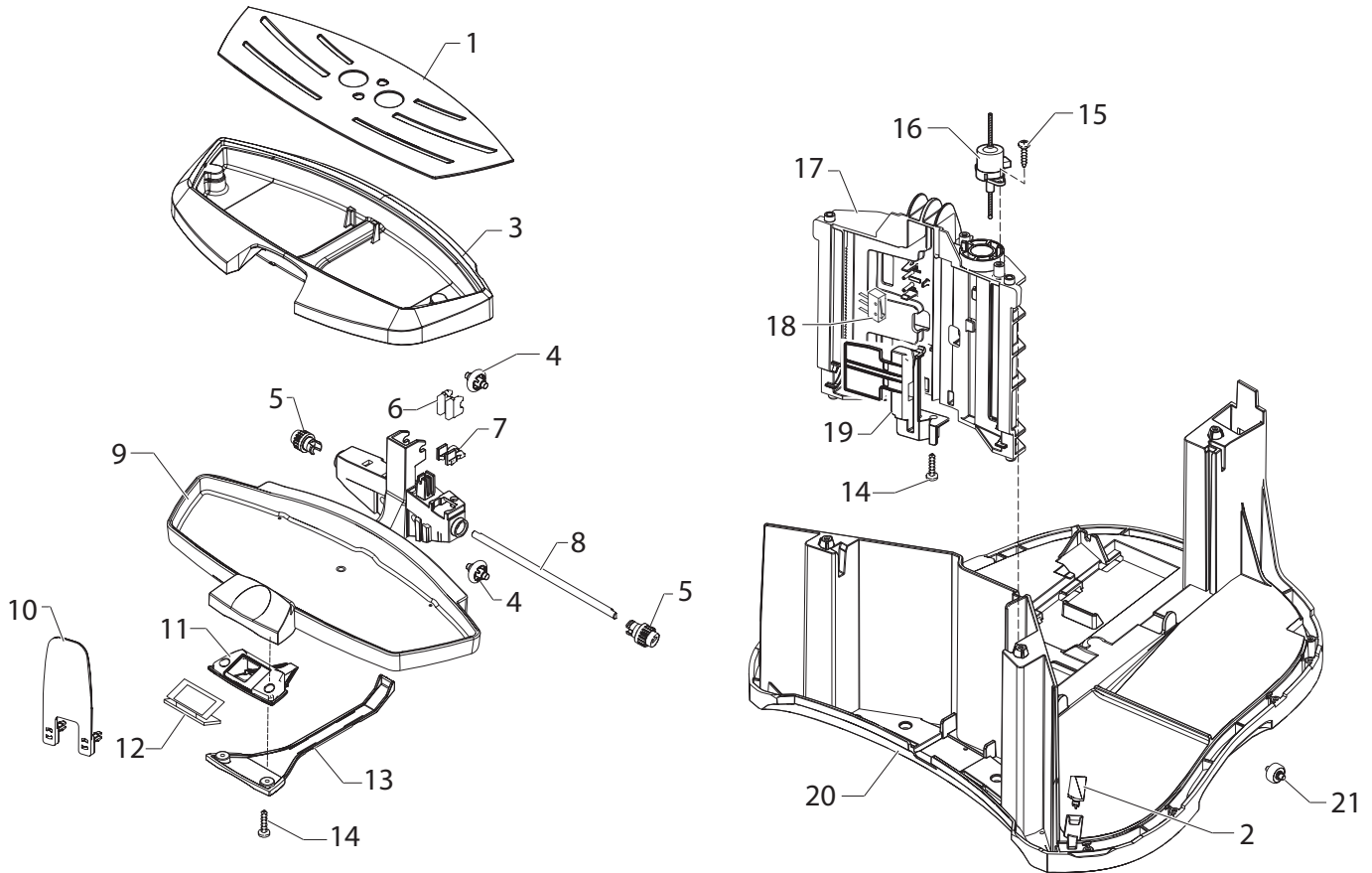
Cod.10002681-86-2811-23

POS	CODICE	DESCRIZIONE	NOTE	POS	CODE	DESCRIPTION	NOTE
01	129914102	VITE TORX K 3,5X12 WN 1423 ZINCATA		01	129914102	SCREW TSP TORX 10 3,5X12 PLAST.ZN-B	
02	11005437	CARCASSA LATER.SX V2 P124 VER.MEZZANOT		02	11005437	MEZZANOTTE LEFT SIDE CASING V2 P124	
03	11007231	PIASTRINA C/LOGO SAECO V2 P124 SER.ARG.		03	11007231	SILVER PLATE LOGO SAECO V2 P124	
04	11000294	RACCORDO X TUBO ACQUA CALDA P124 NERO		04	11000294	BLACK HOT WATER TUBE CONNECTOR P124	
05	12000414	OR METRICO 0030-15 IN EPDM/FDA		05	12000414	OR METRIC 0030-15 IN EPDM/FDA	
06	11000759	MOLLA TUBO ACQUA CALDA P124 ACC.		06	11000759	HOT WATER TUBE SPRING P124	
07	11000293	TUBO EROGAZIONE ACQUA CALDA P124 NERO		07	11000293	BLACK HOT WATER DISPENSER TUBE P124	
08	11002275	SUPP.TUBO ACQUA CALDA P124 VER.SPECCH.		08	11002275	SPECCHIATO HOT WATER TUBE SUPPORT P124	
09	11000596	IMPUGNAT.TUBO EROG.ACQ.CALDA P124 NERA		09	11000596	BLACK HOT WATER TUBE HANDLE FOR P124	
10	11000593	COPERT.TUBO EROG.ACQUA CALDA P124 INOX		10	11000593	HOT WATER TUBE COVER P124	
11	11002266	COPERT.SUPP.DISPLAY P124 VER.SPECCHIATO		11	11002266	SPECCHIATO DISPLAY SUPPORT COVER P124	
12	11000580	VETRINO X LED ILLUMINAZIONE TAZZE P124		12	11000580	GLASS FOR CUPS LED P124	
13	11010699	AS.CARC.ANT/SUPP124/C SPECCH.SER.NEW		13	11010699	SPECCHIAT.FRONT/UPPER CASING P124/C ASSY	
14	11003176	AS.COP.SCALDATAZ.C/PTC P124 ARGENTO		14	11003176	CLEAR/GREY CUPWARMING LID P124 ASSY.	
	11004496	AS.COP.SCALDATAZ.C/PTC P124 UL.GRI/CHIA.	USA		11004496	CLEAR/GREY CUPWARMING LID P124 UL ASSY.	USA
15	129573202	VITE TCB M4X8 AUTOFORMANTE ZN-B		15	129573202	SCREW TCB TORX 20 M4X8 AUTOFORMING ZN-B	
16	11003076	MAGNETE D=12 P124		16	11003076	D=12 MAGNET P124	
17	129914002	VITE TCB 3,5X16 PLAST.ZN-B		17	129914002	SCREW TCB TORX 10 3,5X16 PLAST.ZN-B	
18	11000581	PERNO X CERNIERA SPORTELLO P124 OTT/NIK		18	11000581	PIN FOR DOOR HINGE P124	
19	11010673	COPERC.PORTA SERIALE P124 TRASPARENTE		19	11010673	TRANSPARENT SERIAL PORT COVER P124	
20	11006668	TASTO X INTER.GENER.V2 P124 CROM.LUC.		20	11006668	GLOSS/CHRO.GENER.SWITCH BUTTON V2 P124	
21	11002290	ANELLO X TASTO INT.GEN.P124 VER.MEZZANOT		21	11002290	MEZZANOTTE GEN.SWITCH BUTTON RING P124	
22	11002260	CARCASSA LATER.DX P124 VER.MEZZANOTTE		22	11002260	MEZZANOTTE RIGHT SIDE CASING P124	
	11005688	CARCASSA LATER.DX P124 UL.VER.MEZZANOT.	USA		11005688	MEZZANOTTE RIGHT SIDE CASING P124 UL	USA
23	149254400	TASTO PUSH-PUSH A4U66A-6X-000(800G)		23	149254400	PUSH-PUSH A4U66A-6X-000 (800G)	
24	145898750	INSERTO X CHIUSURA FRONTALINO P119		24	145898750	INSERT FOR CLOSING FRONT PANEL P119	
25	11000283	SPORTELLO X CARCAS.LATERALE DX NERO		25	11000283	BLACK LATERAL DOOR P124	
26	11002246	COPER.SPORT.CARC.LAT.DX P124 VER.MEZZAN		26	11002246	MEZZANOTTE LATERAL DOOR COVER P124	
27	21000961	ACC SAE BRITA WATER FILTER 1 UNIT EUR		27	21000961	ACC SAE BRITA WATER FILTER 1 UNIT EUR	
	21001120	ACC SAE BRITA WATER FILTER 1UNIT AMERICA		027	21001120	ACC SAE BRITA WATER FILTER 1 UNIT AMERICA	
28	0301.961	STICKER TEST DUREZZA ACQUA		28	0301.961	STICKER FOR WATER HARDNESS TEST	
29	NV99.055	CHIAVE A BRUGOLA ESAGONO 5		29	NV99.055	ALLEN KEY 5	
30	146680850	MISURINO X CAFFE' SMART NERO		30	146680850	BLACK COFFEE MEASURE SMART	
31	13000201	SCATOLA LITOGRAF.TASTE BOX P124 SAECO		31	13000201	SAECO TASTE BOX P124	
32	11005082	CONF.DA 4BUSTE+2PAST.DETERGEN. WEIGERT		32	11005082	WEIGERT 4 ENVELOPES+2 TABS PACK	
33	11005044	TUBETTO SAECO KLUBER TRIBOSTAR SIL.2 5GR		33	11005044	SAECO KLUBER TRIBOSTAR SIL.2 TUBE 5GR.	
34	15001583	LIBRET.ISTRUZIONI V5 SAECO P124/C D/I		34	15001583	MANUAL INSTRUCTIONS V5 SAECO P124/C D/I	
	15001584	LIBRET.ISTRUZIONI V5 SAECO P124/C E/P			15001584	MANUAL INSTRUCTIONS V5 SAECO P124/C E/P	
	15001585	LIBRET.ISTRUZIONI V5 SAECO P124/C F/GB			15001585	MANUAL INSTRUCTIONS V5 SAECO P124/C F/GB	
	15001586	LIBRET.ISTRUZIONI V5 SAECO P124/C NL/PL			15001586	MANUAL INSTRUCTIONS V5 SAECO P124/C NL/PL	
35	13000083	FASCIA SOLLEVAMENTO CAL=1550 H=400 P124		35	13000083	BAND FOR LIFTING L=1550 H=400 MM	
36	13000662	INSERTO SUP.V2 SCATOLA P124 PS-E		36	13000662	PS-E V2 UPPER INSERT FOR BOX P124	
37	13000663	INSERTO INF.V2 SCATOLA P124 PS-E		37	13000663	PS-E V2 LOWER INSERT FOR BOX P124	
38	13000780	SCATOLA LITOG.V4 P124/A-C SAECO PRIMEA		38	13000780	DISPLAY BOX V4 P124/A-C SAECO PRIMEA	

**Saeco** SUP030ND PRIMEA RING PLUS 2008  
INTERNATIONAL GROUP

Rev. 00 - 27/01/09

TAVOLA 1/10



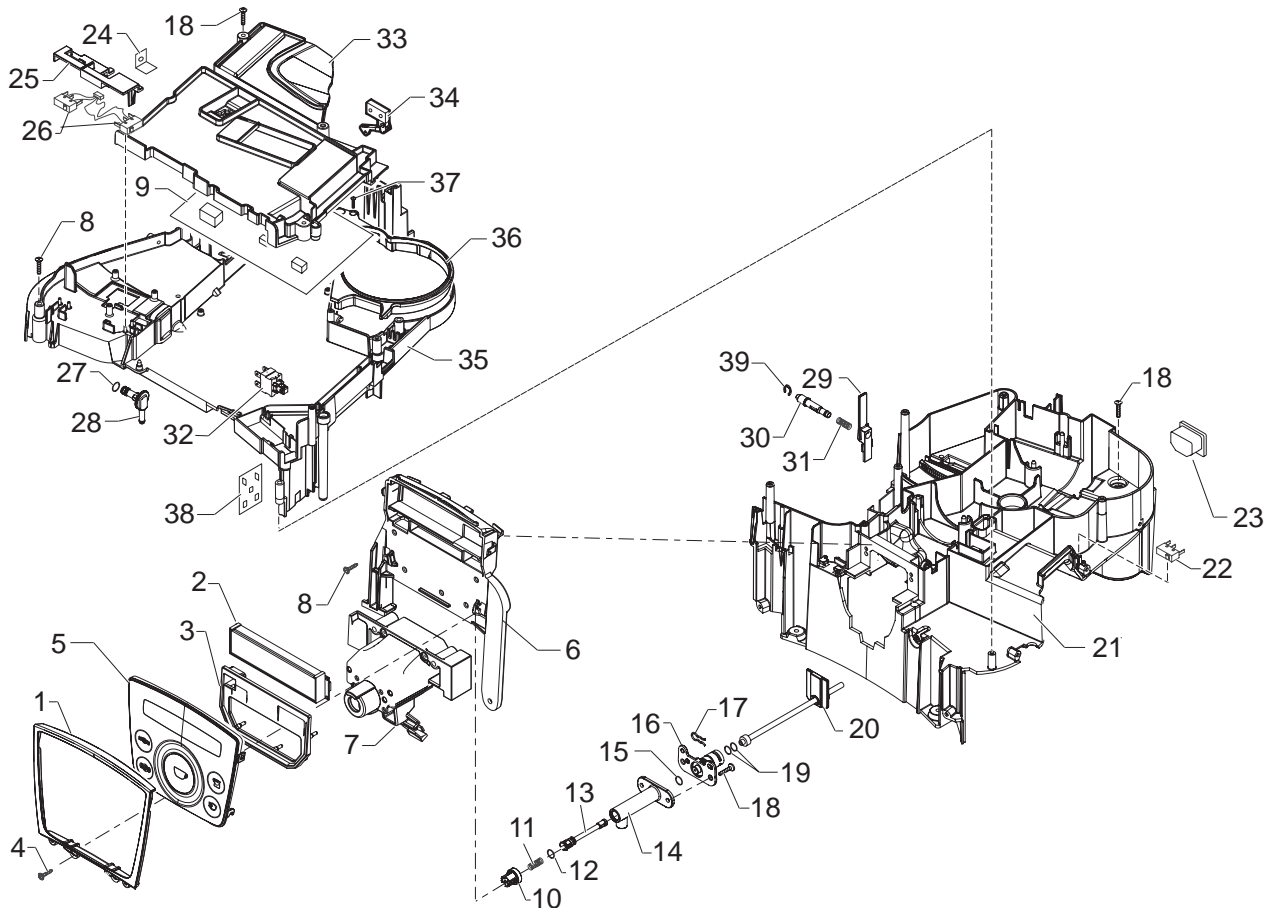
**Saeco** SUP030ND  
INTERNATIONAL GROUP



Cod.10002681-86-2811-23

POS	CODICE	DESCRIZIONE	NOTE
01	11010553	GRIGLIA VASCA REC.ACQ.V2 P124 INOX	
02	11000273	INSERTO X CHIUSURA FONDO P124 NERO	
03	11010698	AS.VASCA REC.ACQUA V3 P124 VERN.CARB/TXT	
04	11000113	RUOTA X SUPP.VASCA REC.ACQUA P124 NER	
05	11000081	INGR.Z=17 X SUPPOR.VASC.REC.ACQ.P124 NER	
06	11000224	INSER.X REGISTRO RUOTA SUPP.VASCH.P124	
07	11000115	PIASTRINA X FISSAGG.VITE SENZA FINE P124	
08	11000586	ALBERO X INGR.VASC.MOBIL.P124 TROPICALIZ	
09	11002273	SUPP.VASCA REC.ACQUA P124 VER.CARB/TXT	
10	11002269	PROT.MOVIM.VASCA REC.ACQ.P124 VER.SPEC.	
11	11000588	SUPP.SCHEDA 2SENS.X VAS.MOBILE P124 NER	
12	11000585	SCHEDA 2SENS.CAPACITIVI X VASCH.MOB.P124	
13	11000070	COPERT.CAVET.SENSORI CAPACITIVI P124 NER	
14	U140.006	PANELVIT TCB 2,5X10 DIN 7505 B ZNP	
15	12000450	VITE TCB TORX 10 3,5X12 PLAST.ZN-N	
16	12000065	AS.MOTORE SAIA UCL X VASCHET.MOBILE P124	
17	11000114	SUPP.X MOVI.SUPP.VASCA REC.ACQ.P124 NER	
18	11004447	AS.MICROINTER.VASCA RECUP.ACQUA P124 UL	
19	11002293	PROTEZ.INF.MOVIM.VASCA REC.ACQ.P124 NER.	
20	11007725	FONDO CARCASSA V2 P124 NERO	
21	11000223	RUOTA X FONDO CARCASSA P124 NERA	

POS	CODE	DESCRIPTION	NOTE
01	11010553	STAINL.STEEL GRATE V2 FOR DRIP TRAY P124	
02	11000273	INSERT FOR CASING BOTTOM CLOSING P124	
03	11010698	TXT/CARBONA DRIP TRAY V3 P124 ASSY.	
04	11000113	BLACK WHELL FOR DRIP TRAY SUPPORT P124	
05	11000081	GEAR Z=17 FOR MOBILE TRAY SUPPORT P124	
06	11000224	INSERT FOR ADJUSTMENT TRAY WHEEL P124	
07	11000115	FIXING PLATE FOR FEEDING SCREW P124	
08	11000586	MOBILE DRIP TRAY GEARS SHAFT P124	
09	11002273	TXT/CARBONA DRIP TRAY SUPPORT P124	
10	11002269	SPECCHIATO DRIP TRAY PROTEC.SUPPORT P124	
11	11000588	BLACK SENSOR BOARD SUPPORT P124	
12	11000585	MOBILE DRIP TRAY SENSOR BOARD P124	
13	11000070	BLACK COVER FOR SENSORS CABLES P124	
14	U140.006	PANELVIT TCB 2,5X10 DIN 7505 B GAL	
15	12000450	SCREW TCB TORX 10 3,5X12 PLAST.ZN-N	
16	12000065	SAIA UCL MOTOR FOR P124 MOBILE TRAY ASSY	
17	11000114	SUPPORT FOR DRIP TRAY SUPPORT HANDLING	
18	11004447	MICROSWITCH DRIP TRAY P124 UL ASSY.	
19	11002293	BLACK LOWER DRIP TRAY PROT.SUPPORT P124	
20	11007725	BLACK CASING BOTTOM V2 P124	
21	11000223	BLACK WHEEL FOR CASING BOTTOM P124	



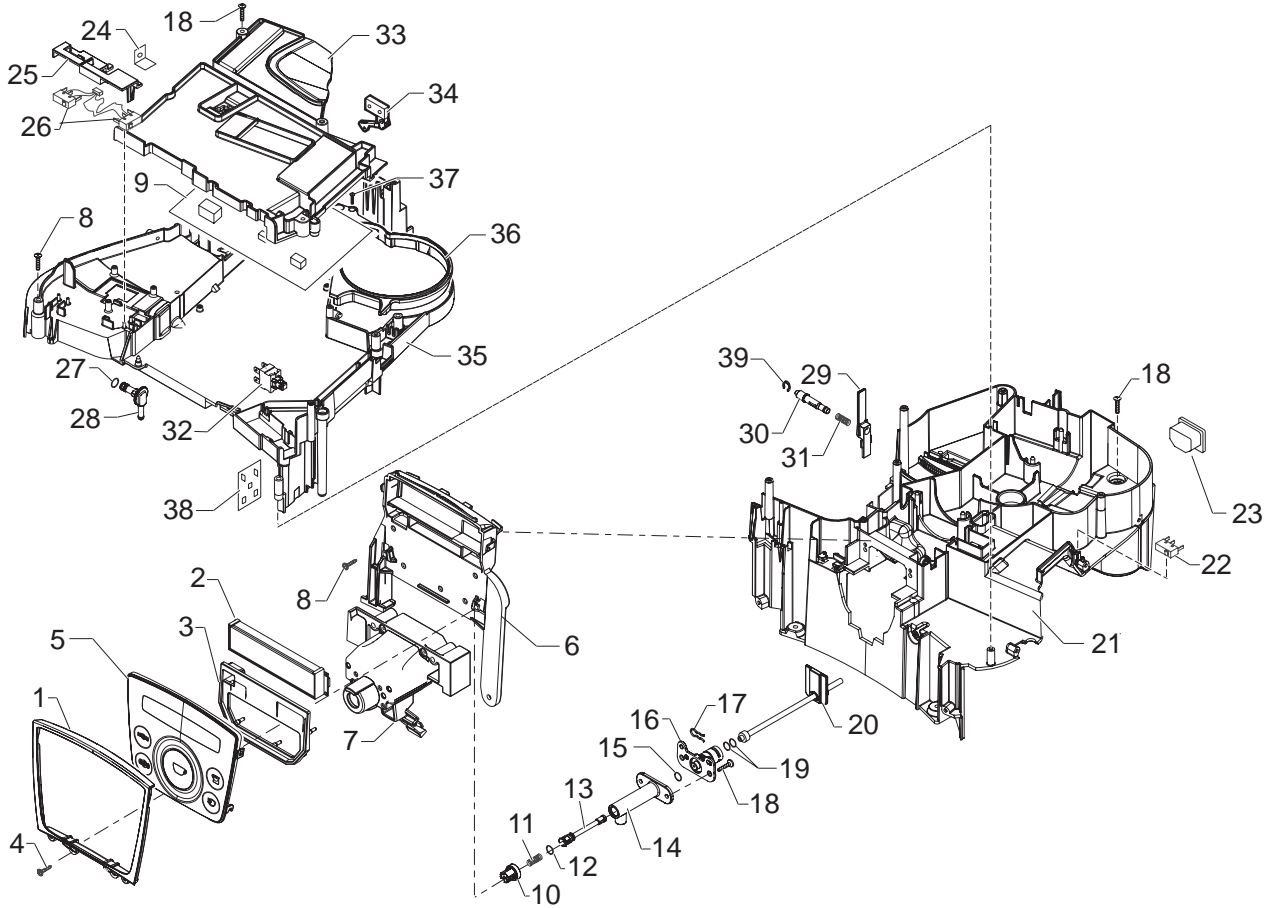
**Saeco** SUP030ND  
INTERNATIONAL GROUP



Cod.10002681-86-2811-23

POS	CODICE	DESCRIZIONE	NOTE
01	11010690	CORNICE DISPLAY V2 P124/C VERN.SPECCH.	
02	11006890	DISPLAY LCD 24 X 2 - CUSTOM FON	
03	11003067	GUARNIZIONE TASTIERA P124/C NERA	
04	U140.006	PANELVIT TCB 2,5X10 DIN 7505 B ZNP	
05	11005978	AS.FRONTALIN/V2X DISPLAY P124/C MEZZAN.	
06	11005500	SUPPORTO DISPLAY V2 P124/C	
07	11005498	SUPPORTO SBS P124	
08	129661702	VITE TCB 3,5X30 PLAST.ZN-B	
09	11010060	AS.CPU+SW P124 MY08	230V
	11011350	AS.CPU+SW P124 MY08	120V
10	149198700	SUPPORTO ASTA REGOLAZIONE CREMA	
11	126772518	MOLLA X ASTA REGOLAZIONE CREMA	
12	140326661	OR METRICO 0040-20 IN EPDM	
13	140640200	ASTA REGOLAZIONE CREMA	
14	11000290	TUBO EROGAZIONE CAFFE' P124 NERO	
15	12000070	OR METRICO 0060-15 IN SILICONE	
16	11002130	RACCORDO FAST LOCK X EROGAT.P0053 NERO	
17	9011.144	FORCELLA X TUBO D.4	
18	12000450	VITE TCB TORX 10 3,5X12 PLAST.ZN-N	
19	140328059	OR 2015 IN SILICONE PTFE/FDA	
20	11007459	AS.TUBO TEFLON 2X4 L=110+PIASTR+BOC.P124	
21	11005439	PIASTRA ORIZZONTALE MONT.V2 P124 NERO	
	11005693	PIASTRA ORIZZONTALE MONT.V2 P124 UL NERO	USA
22	11004463	AS.MICROINTERRUTTORE SPORTELLO P124 UL	
23	12000280	PRESA A VASCHETTA C/SMUSSI EN 60320 C 13	
24	12000071	LING.DOPPIA 6,3 D=4,3 <-90° 0010229202	
25	11009509	ATTUATORE V2 MICRO AUTOCAPPUCCINO P124	
26	11010685	AS.MICRO.PRESENZA VASCA LATTE V2 P124 UL	
27	11000193	GUARN. X RACCORDO USCITA LATTE P124 NER	
28	11002191	RACCORDO LATTE/VAPORE C/NT P124 NERO	
29	11000291	PIASTRINA X RACC.LATTE/VAPORE P124 NER <b>FINO MATR. 9009PRI0122428</b>	
	11011421	PIASTRINA V2 X RACCOR.LATTE/VAP.P124 NER <b>DA MATR. 9009PRI0122429</b>	
30	11002186	TUBO X PIASTRAC.LATTE/VAP/C/NT P124 NER <b>FINO MATR. 9009PRI0122428</b>	
	11010695	TUBO X PIASTR.LATTE/VAP/C/NT V2 P124 NERO <b>DA MATR. 9009PRI0122429</b>	
31	11001694	MOLLA X TUBO EROGAZIONE LATTE P124 ACC.	
32	11007060	INTERRUTTORE GENERALE P124	
	11000592	INTERRUTTORE GENERALE SAIA 3292 X P124	USA
33	11000570	COPERCHIO SCHEDA ELETTRON.P124 NERO	
	11004316	COPERCHIO SCHEDA ELETTRON.P124 UL NERO	USA

POS	CODE	DESCRIPTION	NOTE
01	11010690	SPECCHIATO DISPLAY FRAME V2 P124/C	
02	11006890	24 X 2 LCD DISPLAY - CUSTOM FONT	
03	11003067	BLACK TOUCH PANEL SEAL P124/C	
04	U140.006	PANELVIT TCB 2,5X10 DIN 7505 B GAL	
05	11005978	MEZZAN.DISPLAY FRONTPLATE V2 P124/C ASSY	
06	11005500	DISPLAY SUPPORT V2 P124/C	
07	11005498	SBS SUPPORT P124	
08	129661702	SCREW TCB TORX 3,5X30 PLAST.ZN-B	
09	11010060	AS.CPU+SW P124 MY08	230V
	11011350	AS.CPU+SW P124 MY08	120V
10	149198700	SUPPORT CREAM ADJUSTMENT SHAFT	
11	126772518	SPRING FOR CREAM ADJUSTMENT SHAFT	
12	140326661	OR METRIC 0040-20 IN EPDM	
13	140640200	CREAM ADJUSTMENT SHAFT	
14	11000290	BLACK COFFEE DISPENSER TUBE P124	
15	12000070	OR METRIC 0060-15 IN SILICONE	
16	11002130	FAST LOCK CONNECTOR FOR EROGATOR P0053	
17	9011.144	FORK FOR TUBE D.4	
18	12000450	SCREW TCB TORX 10 3,5X12 PLAST.ZN-N	
19	140328059	OR 2015 IN SILICONE PTFE/FDA	
20	11007459	TEFLON TUBE 2X4 L=110+PLATE+BUSH ASSY.	
21	11005439	BLACK HORIZONTAL PLATE V2 P124	
	11005693	BLACK HORIZONTAL PLATE V2 P124 UL	USA
22	11004463	MICROSWITCH DOOR P124 UL ASSY.	
23	12000280	CUP SOCKET EN 60320 C 13	
24	12000071	DOUBLE TABS 6,3 D=4,3 <-90° 0010229202	
25	11009509	AUTOCAPP. MICROSWITCH ACTUATOR V2 P124	
26	11010685	MICRO PRESENCE MILK BOX V2 P124 UL ASSY.	
27	11000193	BLACK MILK OUTLET SEAL P124	
28	11002191	BLACK CONNECTOR MILK/STEAM WITH NT P124	
29	11000291	BLACK MILK/STEAM CONNECTOR PLATE P124 <b>UP TO S/N° 9009PRI0122428</b>	
	11011421	BLACK MILK/STEAM CONNECTOR PLATE V2 P124 <b>FROM S/N° 9009PRI0122429</b>	
30	11002186	TUBE FOR MILK/STEAM PLATE WITH NT P124 <b>UP TO S/N° 9009PRI0122428</b>	
	11010695	TUBE FOR MILK/STEAM PLATE W/NT V2 P124 <b>FROM S/N° 9009PRI0122429</b>	
31	11001694	MILK TUBE SPRING P124	
32	11007060	GENERAL SWITCH FOR P124	
	11000592	SAIA 3292 GENERAL SWITCH FOR P124	USA
33	11000570	BLACK ELECTRONIC BOARD COVER P124	
	11004316	BLACK ELECTRONIC BOARD COVER P124 UL	USA

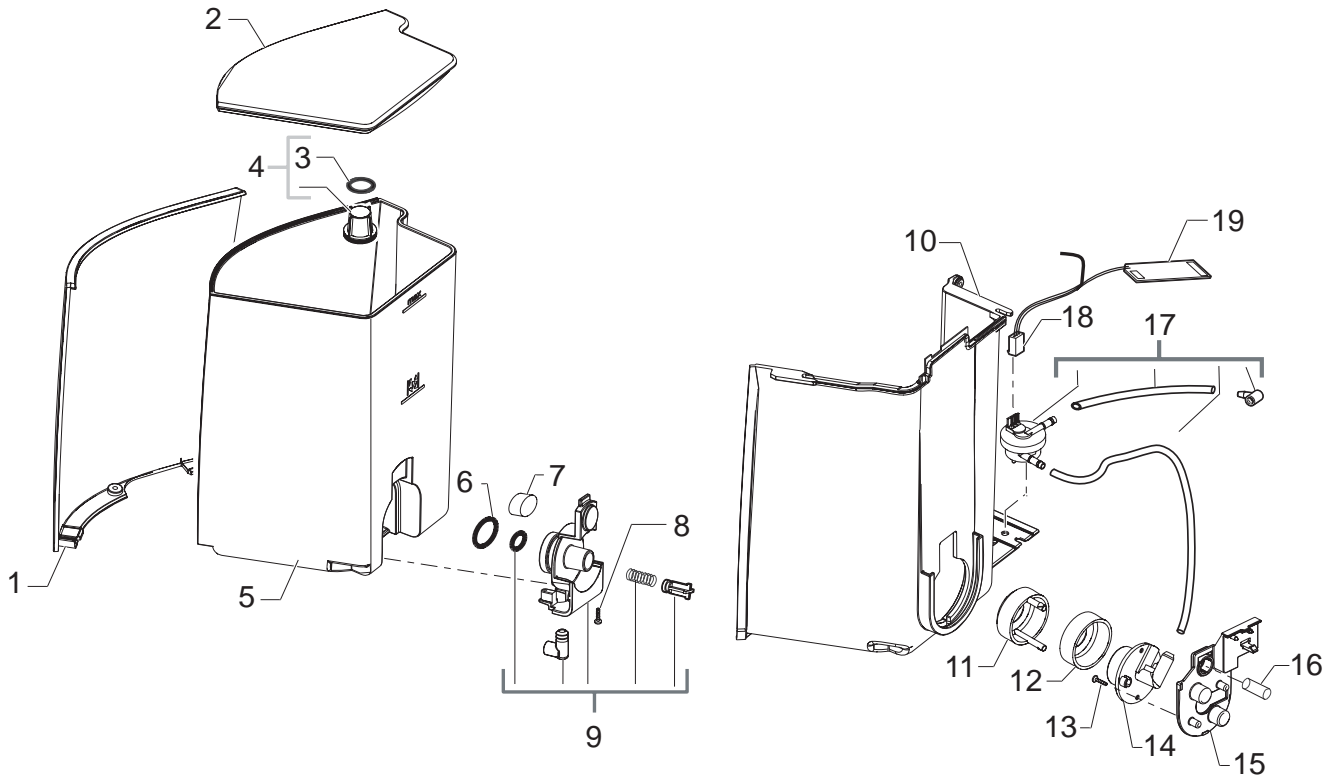


**Saeco** SUP030ND  
INTERNATIONAL GROUP



Cod.10002681-86-2811-23

POS	CODICE	DESCRIZIONE	NOTE	POS	CODE	DESCRIPTION	NOTE
34	11011715	AS.SENSORI MC+MICRO CONT.CAF.V2 P124 UL		34	11011715	SENSORS GRINDER+MICRO COFF.CONT. P124 UL	
35	11007948	PIASTRA SUPP.SCHEDA ELET.V3 P124 UL NERO		35	11007948	BLACK ELECTR.BOARD SUPP.PLATE V3 P124 UL	
36	11005698	COPERCHIO MACINACAF.P124/A-B-C NERO		36	11005698	BLACK COFFEEGRINDER COVER P124/A-B-C	
	11005699	COPERCHIO MACINACAF.P124/A-B-C UL NERO	USA		11005699	BLACK COFFEEGRINDER COVER P124/A-B-C UL	USA
37	129914002	VITE TCB 3,5X16 PLAST.ZN-B		37	129914002	SCREW TCB TORX 10 3,5X16 PLAST.ZN-B	
38	11010015	SCHEDA POWER SUPPLY P124	230V	38	11010015	POWER SUPPLY BOARD P124	230V
	11010016	SCHEDA POWER SUPPLY P124	120V		11010016	POWER SUPPLY BOARD P124	120V
39	U701.011	ANELLO ELASTICO 5 UNI 7434 DA MATR. 9009PRI0122429		39	U701.011	SNAP RING 5 UNI 7434 FROM S/N° 9009PRI0122429	



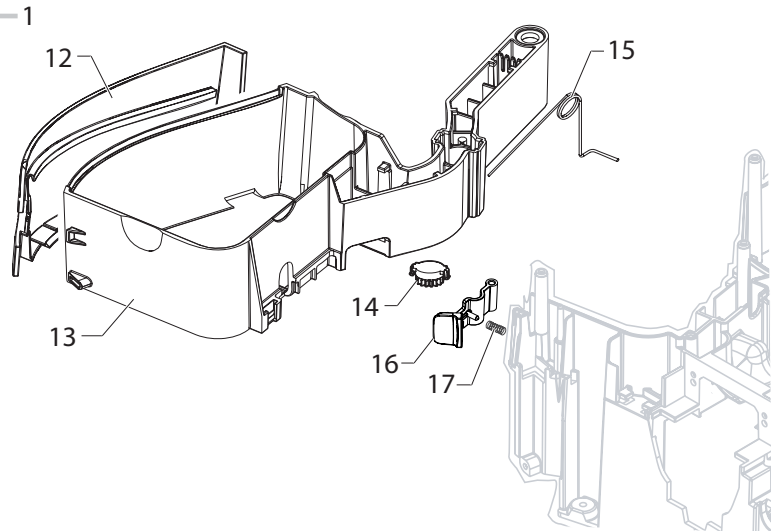
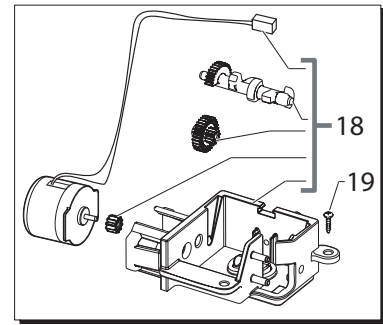
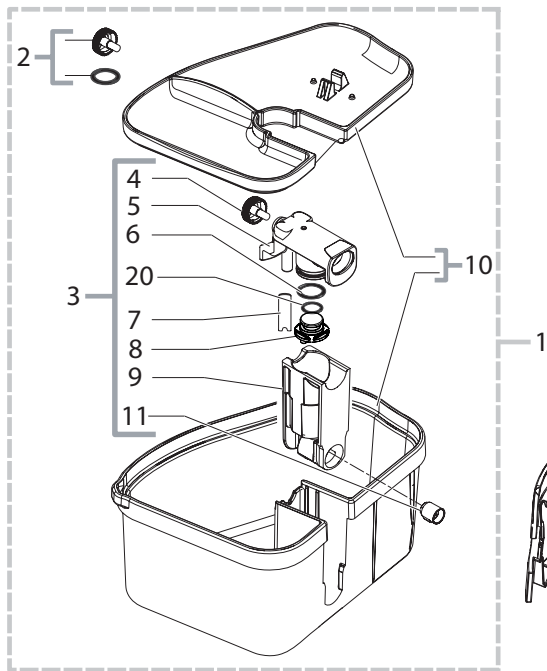
**Saeco** SUP030ND  
INTERNATIONAL GROUP



Cod.10002681-86-2811-23

POS	CODICE	DESCRIZIONE	NOTE
01	11002284	COPER.LAT.CONT.ACQUA P124 VER.MEZZANOT.	
02	11000250	COPERCHIO CONTENITORE ACQUA P124 NERO	
03	140328461	OR METRICO 0190-10 IN EPDM	
04	224640200	AS.FILTRO ESTERNO X CONTENITORI ACQUA	
05	11000228	CONTENITORE ACQUA P124 GRIG/NATURALE	
06	NM01.016	OR 3068 SILICONE	
07	11003076	MAGNETE D=12 P124	
08	U140.006	PANELVIT TCB 2,5X10 DIN 7505 B ZNP	
09	20000452	KIT RICAMBIO COPERT.USCITA CONT.ACQ.P124	
10	11010424	SUPP.CONT.ACQUA C/GUARN.V2 P124 NERO	
11	11000255	COPERT. CONT.GUARNIZ.VALVOLA P124 NER	
12	145842900	GUARNIZ.GACO DIM 14 X VALV.CONTEN.ACQUA	
13	129535721	VITE TSP 3,5X9,5 DIN 7982 INOX	
14	11000254	CONTENITORE GUARNIZ. X VALVOLA P124 NER.	
15	11000253	PIASTRA SUPPOR. VALVOLA ACQUA P124 NER	
16	11003040	CILINDRO D=10 X SUPPOR.CONT.ACQUA P124	
17	11007554	AS.TURBINA V2 P124	
18	11004425	AS.CONNETT.6POLI LIVELLO+TURBINA P124 UL	
19	11000651	SCHEDA SENSORE CAPACITIV. LIVEL.ACQ.P124	

POS	CODE	DESCRIPTION	NOTE
01	11002284	MEZZANOTTE RIGHT WATER TANK COVER P124	
02	11000250	BLACK WATER CONTAINER LID P124	
03	140328461	EPDM OR METRIC 0190-10	
04	224640200	EXTERNAL FILTER FOR WATER CONTAINER AS.	
05	11000228	NATURAL/GREY WATER CONTAINER P124	
06	NM01.016	OR 3068 SILICONE	
07	11003076	D=12 MAGNET P124	
08	U140.006	PANELVIT TCB 2,5X10 DIN 7505 B GAL	
09	20000452	SPARES KIT WATER TANK OUTLET COVER P124	
10	11010424	BLACK WATER CONTAINER SUPPORT V2 P124	
11	11000255	BLACK COVER FORVALVE SEAL CONTAIN. P124	
12	145842900	WATER CONTAIN.VALVE SEAL GACO DIM14	
13	129535721	SCREW TSP TORX 10 3,5X9,5 SHEET SS	
14	11000254	BLACK VALVE SEAL CONTAINER P124	
15	11000253	BLACK WATER VALVE SUPPORT PLATE P124	
16	11003040	WATER CONTAINER SUPPORT D=10 CYLINDER	
17	11007554	TURBINE V2 P124 ASSY.	
18	11004425	6POLES CONNEC. LEVEL+FLOWMETER P124 UL	
19	11000651	WATER LEVEL SENSOR BOARD P124	

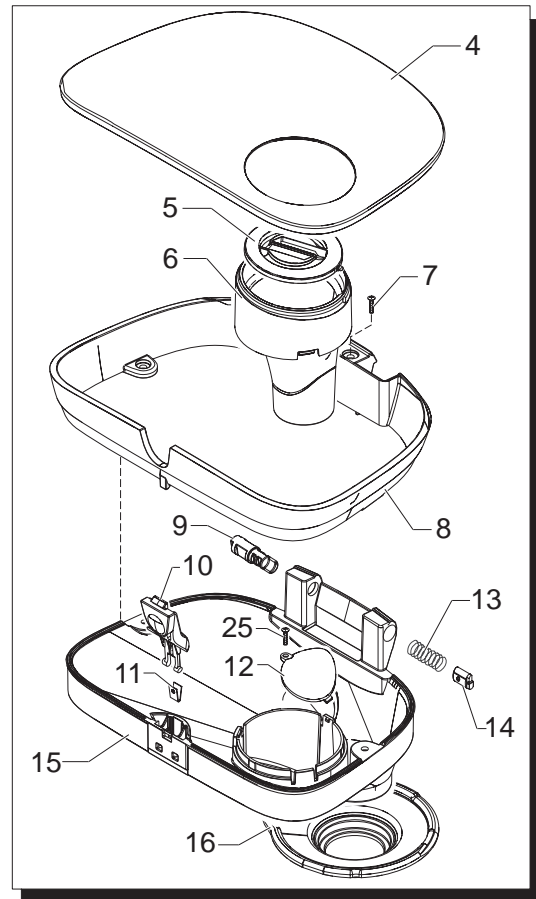
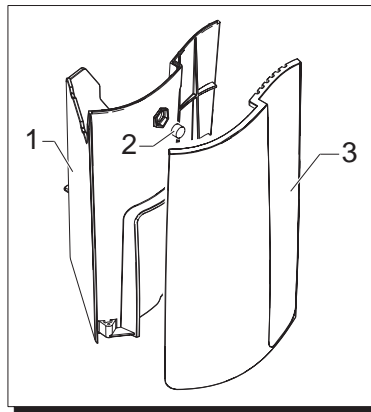
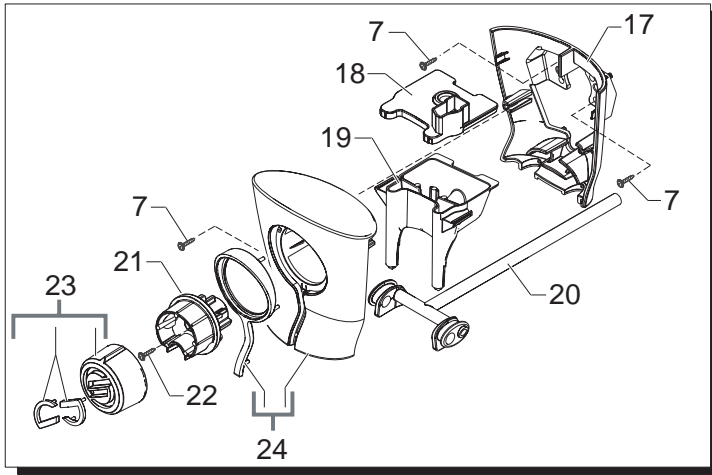


**Saeco** SUP030ND  
INTERNATIONAL GROUP



Cod.10002681-86-2811-23

POS	CODICE	DESCRIZIONE	NOTE	POS	CODE	DESCRIPTION	NOTE
01	20000710	KIT RICAMBIO CAPPUCCINATORE V2 P124		01	20000710	SPARES KIT FOR CAPPUCCINATORE V2 P124	
02	11006010	AS.RICAMBI CAPPUCCINATORE V2 P124		02	11006010	CAPPUCCINATORE V2 SPARE PARTS P124 ASSY.	
03	11006073	AS.CAPPUCCINATORE V2 P124		03	11006073	CAPPUCCINATORE V2 P124 ASSY.	
04	11005218	REGOLAT.FLUSSO LATTE-ARIA C/NT P124 BIA.		04	11005218	FLOW SELECTOR MILK-AIR WITH NT P124	
05	11005215	EROGAT. X CAPPUCCINAT.OR C/NT P124 NER		05	11005215	BLACK CAPPUCCINAT.DISPENSER WITH NT P124	
06	140322261	OR 2050 IN EPDM		06	140322261	OR 2050 IN EPDM	
07	11010087	TUBO X CAPPUCCINATORE P124 NERO		07	11010087	BLACK TUBE FOR CAPPUCCINATORE P124	
08	11010022	TUBO VENTURI V2 X CAPPUCCINAT.C/NT P124		08	11010022	VENTURI TUBE V2 CAPPUCCINAT.WITH NT P124	
09	11005217	CORPO CAPPUC.POSTCAMERA C/NT P124 NER		09	11005217	BLACK CAPPUCCINATOR.CASING WITH NT P124	
10	20000540	KIT RICAMB.CONT.LATTE+COPERCH.P124 NERO		10	20000540	SPARES KIT MILK CONTAINER + COVER P124	
11	11004917	GUARNIZ.USCITA LATTE CAPP.C/NT P124 NERO		11	11004917	BLACK MILK OUTLET SEAL P124	
12	11005455	COPERT.SUPP.CONT.LATTE V2 P124 VER.MEZZ.		12	11005455	MEZZANOTTE MILK CONT.SUPP.COVER V2 P124	
13	11005438	SUPPORTO CONTENITORE LATTE V2 P124 NER.		13	11005438	BLACK MILK CONTAINER SUPPORT V2 P124	
14	11000679	INGRANAGGIO VISCOSO X GUIDA LATTE P124		14	11000679	VISCOUS GEAR 30291-F	
15	11000739	MOLLA SUPPORTO CONTENIT.LATTE P124 ACC.		15	11000739	MILK CONTAINER SUPPORT SPRING P124	
16	11005393	TASTO SGANC.SUPP.CONT.LAT.P124 VER.MEZZ.		16	11005393	MEZZANOT. BUTTON MILK CONT.SUPPORT P124	
17	11005395	MOLLA TASTO SGANC.SUPP.CONT.LAT.P124 AC.		17	11005395	MILK CONTAINER SUPPORT SPRING P124	
18	11005293	AS.VALVOLA AUTOCAPPUCCINO S/MICRO P124		18	11005293	AUTOCAPPUCCINO VALVE W/O.MICRO P124 AS.	
19	U140.006	PANELVIT TCB 2,5X10 DIN 7505 B ZNP		19	U140.006	PANELVIT TCB 2,5X10 DIN 7505 B GAL	
20	WGADM0041/103	OR 2031 IN EPDM 70°SH		20	WGADM0041/103	OR 2031 IN EPDM 70°SH	



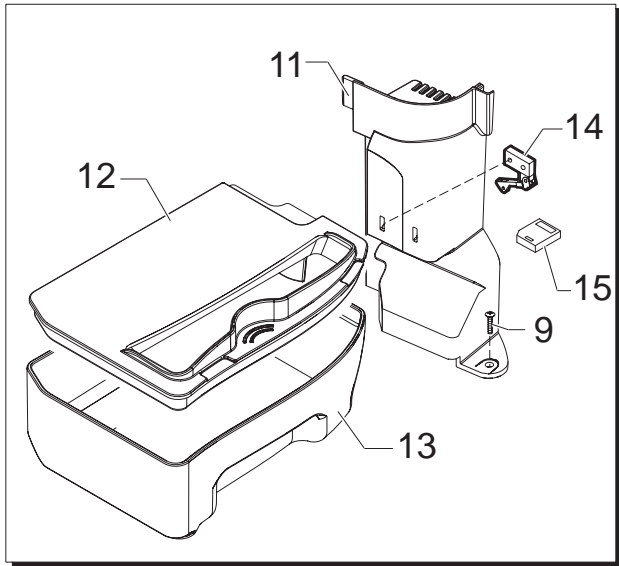
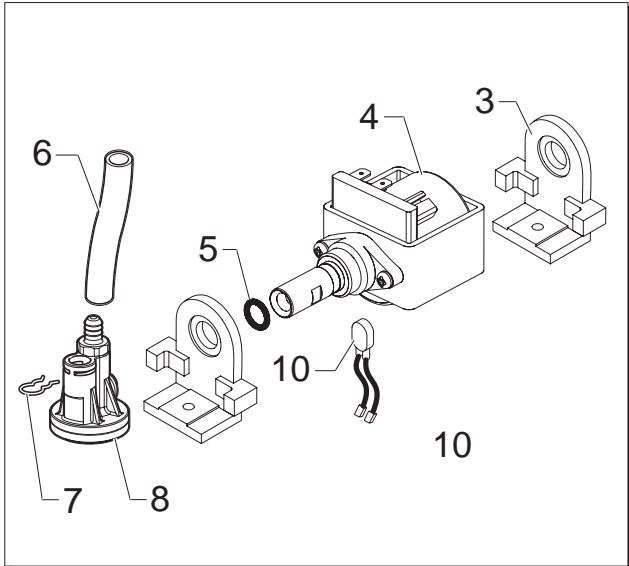
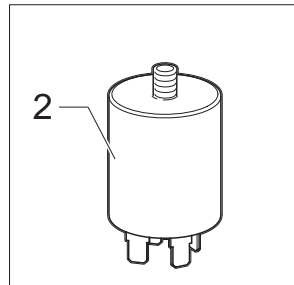
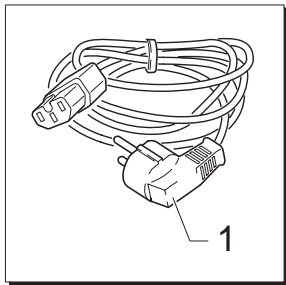
**Saeco** SUP030ND  
INTERNATIONAL GROUP



Cod.10002681-86-2811-23

POS	CODICE	DESCRIZIONE	NOTE
01	11005849	CASSETTO RACCOGLI FONDI P124 NERO SER.	
02	11003040	CILINDRO D=10 X SUPPOR.CONT.ACQUA P124	
03	11006474	COPERT.ANT.CAS.FONDI V2 P124 VE.MEZZANOT	
04	11006148	COP.CONT.CAF.GRANI C/GUARN.P124/D GRINAT	
05	11000061	COPERC. TRAMOG. CAF.MACIN.P124 GRIG/NAT	
06	11000060	TRAMOG. DOSE CAF.MACINATO P124 GR/NAT	
07	129914002	VITE TCB 3,5X16 PLAST.ZN-B	
08	11000048	ANELLO X CONT.CAFFE' GRANI P124 GR/NAT.	
09	11002571	ATTUATORE X MICRO APER.COP.CON.CAF.P124	
10	11007379	TASTO SGANC.CONT.CAF.GRA.P124 SPECCH.	
11	11001693	MOLLA TASTO COP.CONT.CAF.GRANI P124 ACC.	
12	11002294	COPERCHIO X REGOL.MACINATURA P124 NERO	
13	11000790	MOLLA COPERCHIO CONT.CAF.GRANI P124 ACC	
14	147472750	PERNO BLOCCAGGIO MOLLA SMART1 DIGIT	
15	11000066	CONTENITORE CAFFE' GRANI P124 NERO	
16	11000191	GUARNIZ.CONTENIT.CAFFE' GRANI P124 NERO	
17	11004694	COPERT.POST.EROG.CAF.P124 CROMLUCIDO	
18	11000192	TAPPO X CORPO EROGAT.CAFFE' P124 NERO	
19	11000285	CORPO EROGATORE CAFFE' P124 NERO	
20	11002187	TUBO A T EROGAZIONE LATTE C/NT P124 NERO	
21	11007420	RACCORDO INTERNO EROG.CAF.V2 P124 NERO	
22	129913902	VITE TCB 3X12 PLAST.ZN-B	
23	11007378	AS.POMELLO REG.CREMA V2 P124 CROMLUC	
24	11005496	AS.COPERT.ANT.EROG.CAF.P124 CROMLUC.SER.	
25	U140.006	PANELVIT TCB 2,5X10 DIN 7505 B ZNP	

POS	CODE	DESCRIPTION	NOTE
01	11005849	BLACK DUMP BOX P124 SILK/SCREEN	
02	11003040	WATER CONTAINER SUPPORT D=10 CYLINDER	
03	11006474	MEZZANOTT. FRONT DUMP BOX COVER V2 P124	
04	11006148	NATUR/GREY BEAN COFF.CONTAINER LID P124D	
05	11000061	NATUR/GREY GROUND COFF. HOPPER LID P124	
06	11000060	NATUR/GREY HOPPER FOR POWDER COFF.P124	
07	129914002	SCREW TCB TORX 10 3,5X16 PLAST.ZN-B	
08	11000048	NATUR/GREY RING FOR BEANS CONTAINER P124	
09	11002571	BEAN COFFEE CONT.LID MICRO ACTUATOR P124	
10	11007379	SPECCHIATO BUTTON FOR BEANS CONTAINER	
11	11001693	BEANS CONTAINER COFF.BUTTON SPRING P124	
12	11002294	BLACK GRINDER REGULATION COVER P124	
13	11000790	BEANS COFFEE CONTAIN. COVER SPRING P124	
14	147472750	PIN FOR DEADLOCK SPRING SMART1 DIG.	
15	11000066	BLACK BEAN COFFEE CONTAINER P124	
16	11000191	BLACK BEAN COFFEE CONTAINER SEAL P124	
17	11004694	CHROMED REAR COFFEE DISPENS.COVER P124	
18	11000192	BLACK CAP COFFEE DISPEN.HEAD BODY P124	
19	11000285	BLACK COFFEE DISPENSER BODY P124	
20	11002187	BLACK MILK DISPENSER TUBE W/OUT NT P124	
21	11007420	INTERNAL CONNECT.V2 FOR COFFEE DISPENS.	
22	129913902	SCREW TCB TORX 10 3X12 PLAST.ZN-B	
23	11007378	CHR/PLAT.CREAM ADJUSTM.KNOB V2 P124 ASSY	
24	11005496	FRONT COVER COFFEE DISPENSER P124 ASSY.	
25	U140.006	PANELVIT TCB 2,5X10 DIN 7505 B GAL	



**Saeco** SUP030ND  
INTERNATIONAL GROUP

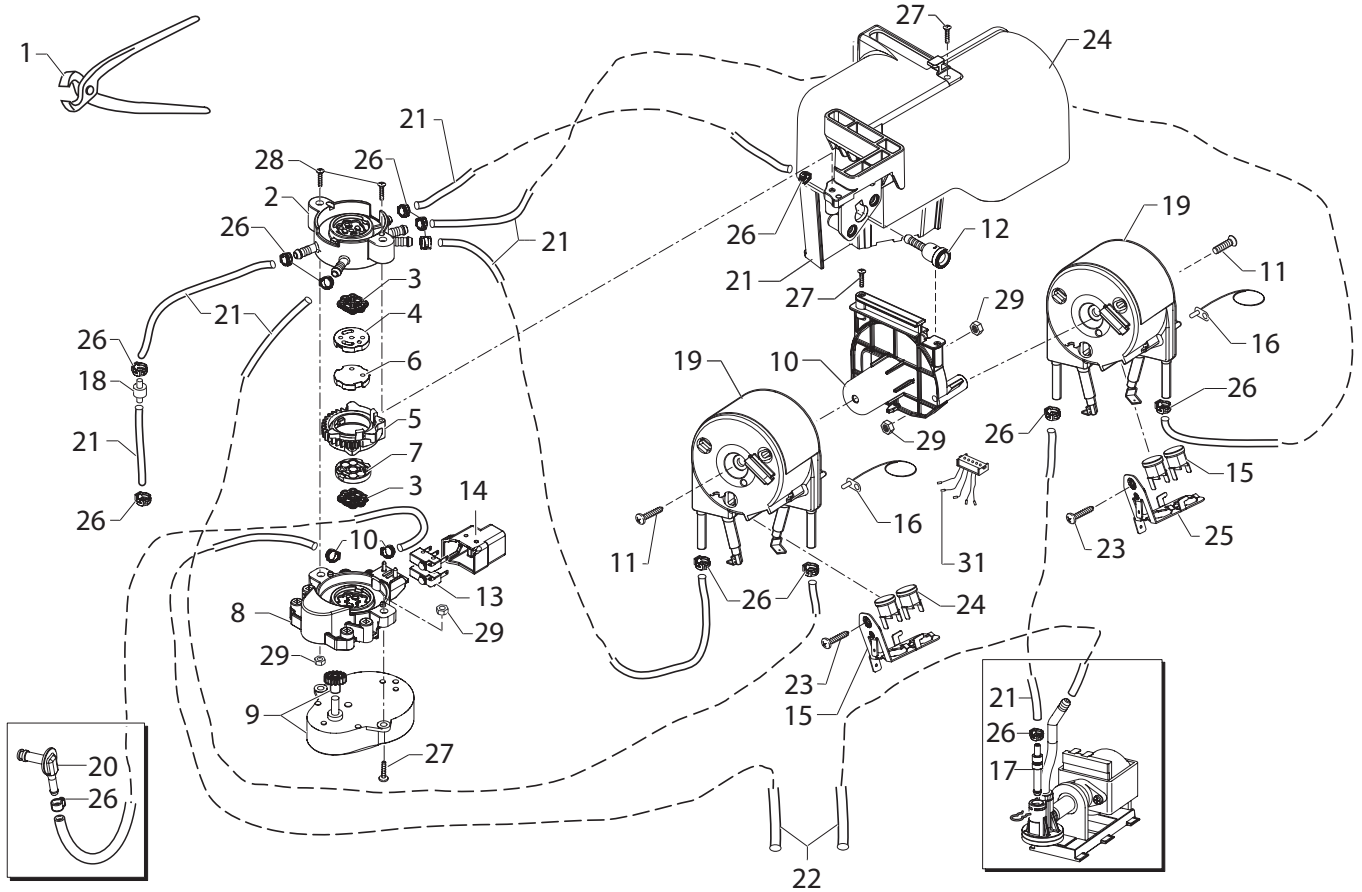


Cod.10002681-86-2811-23

POS	CODICE	DESCRIZIONE	NOTE
01	183911050	CAVO AL.SCHUK. 3X1 H05VV-F NERO L=1200M	
	183930650	CAVO AL.CH 3X1 H05VV-F NER.L=1200MM	
	183940650	CAVO AL.AUSTR.3X1 H05VV-F NERO L=1200MM	
	183921950	CAVO AL.USA SJT3 UL 16AWG NERO L=1200MM	
02	12000005	FILTRO ANTIDIST.10A F.NC.10.05.474.103.P	
	12000007	FILTRO ANTIDIST.16A	USA
03	11001302	INSERTO X SUPPORTO POMPA P124 NERO	
04	12000140	POMPA ULKA EP5/S GW	230V-50HZ
	12000167	POMPA ULKA EP5/S GW	240V-50HZ
	12000142	POMPA ULKA EAP5/S	120V-60HZ
05	140321961	OR 2031 IN TERMOIL	
06	JS01.022	TUBO SILICONE 5X10 60 SHORE MATASSA	
07	9011.144	FORCELLA X TUBO D.4	
08	229452100	AS.VALVOLA DI COMPENS.E SICUREZZA 16BAR	
09	U140.014	PANELVIT TCB 3,5X16 DIN 7505 B ZNP	
10	11000623	AS.CONNETTORE 2POLI POMPA P124	
	11004468	AS.CONNETTORE 2POLI POMPA P124 UL	USA
11	11000080	SUPPOR.SENSORE VASCA REC.ACQ.P124 NER.	
12	11002466	COPERCH VASCA INT.REC.ACQUA P124 NER	
13	11000277	VASCA INTERNA RECUPERO ACQUA P124 NER	
14	11004472	AS.MICRO.PRESENZ+LIVEL.VASCA INT.P124 UL	
15	11000651	SCHEDA SENSORE CAPACITIVO LIVEL. ACQUA	

POS	CODE	DESCRIPTION	NOTE
01	183911050	POWER CABLE SCHUKO BLACK L=1200MM	
	183930650	PO.CABL.CH BLACK 3X1 H05VV-F L=1200MM	
	183940650	BLACK POWER CABLE AUSTRALIA L=1200MM	
	183921950	POWER CABLE SJT3 USA BLACK UL L=1200MM	
02	12000005	ANTIDISTURB FILTER 10A FNC 1005474103P	
	12000007	ANTIDISTURB FILTER 16A	USA
03	11001302	BLACK PUMP SUPPORT+RETAIN.P124	
04	12000140	ULKA PUMP EP5/S GW	230V-50HZ
	12000167	ULKA PUMP EP5/S GW	240V-50HZ
	12000142	ULKA PUMP EAP5/S	120V-60HZ
05	140321961	OR 2031 IN TERMOIL	
06	JS01.022	SILICONE TUBE 5X10 60 SHORE IN ROLL	
07	9011.144	FORK FOR TUBE D.4	
08	229452100	COMPENSATION AND SAFETY VALVE 16BAR AS.	
09	U140.014	PANELVIT TCB 3,5X16 DIN 7505 B GAL	
10	11000623	2POLES CONNECTOR PUMP P124	
	11004468	2POLES CONNECTOR PUMP P124 UL	USA
11	11000080	SUPPORT FOR SENSOR FOR DRIP TRAY P124	
12	11002466	BLACK INTERNAL DRIP TRAY LID P124	
13	11000277	BLACK INTERNAL DRIP TRAY P124	
14	11004472	MICRO.PRESENCE+LEVEL INTBOX P124 UL ASS.	
15	11000651	WATER LEVEL SENSOR BOARD P124	



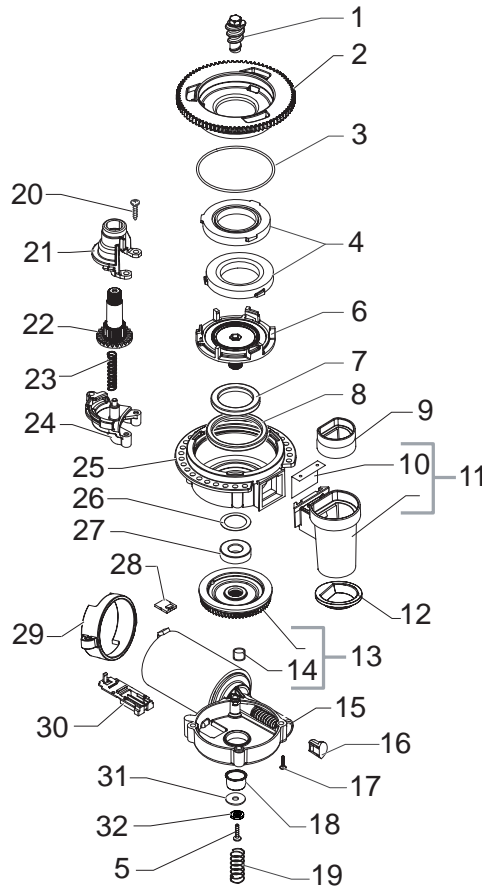


**Saeco** SUP030ND  
INTERNATIONAL GROUP



Cod.10002681-86-2811-23

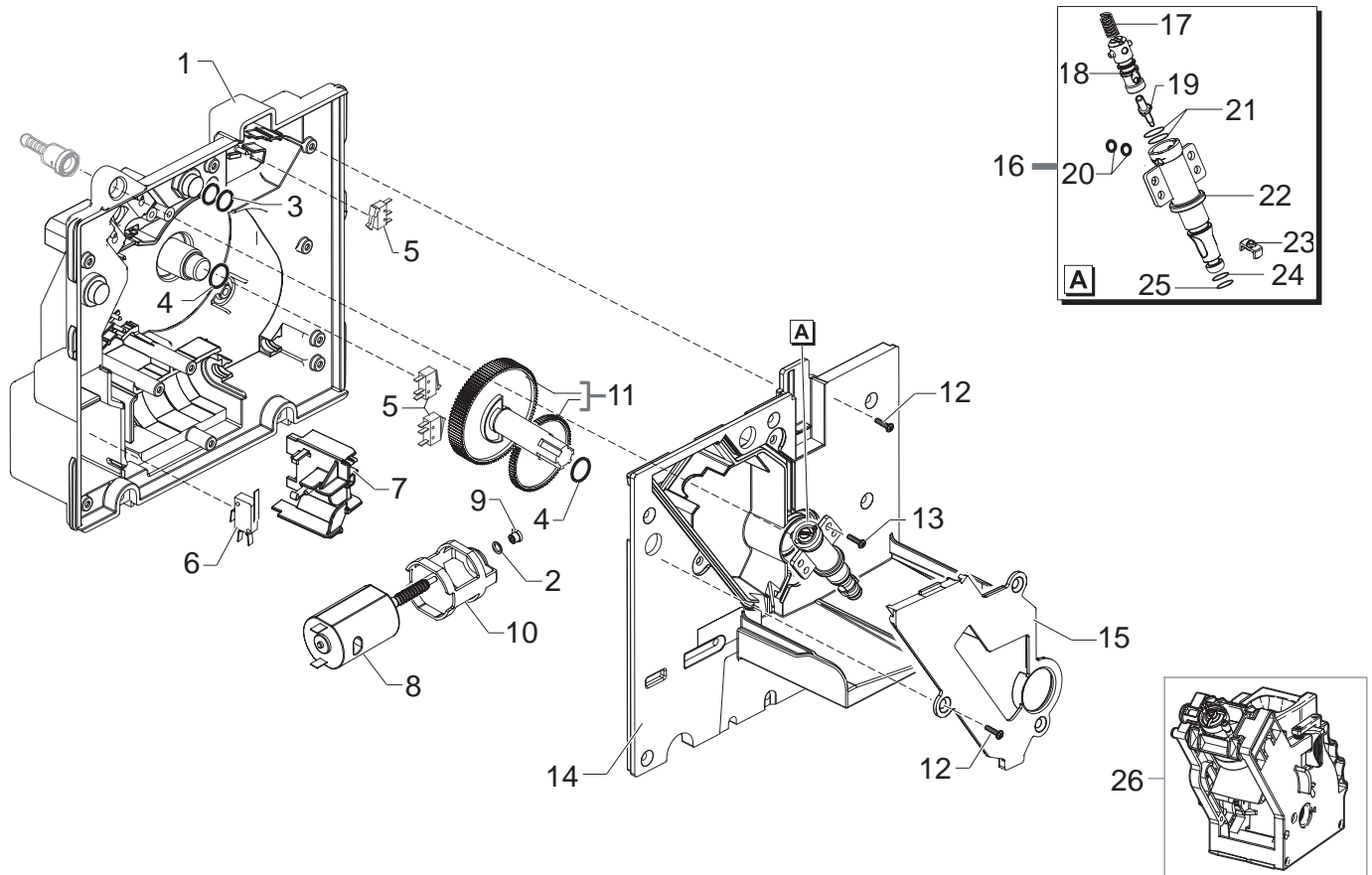
POS	CODICE	DESCRIZIONE	NOTE	POS	CODE	DESCRIPTION	NOTE
01	12000404	PINZA OETIKER COD FORN 14100082		01	12000404	PLIERS OETIKER COD.FORN.14100082	
02		PARTICOLARE NON DISPONIBILE	VEDI ASS. MULTIVALV.	02		PARTICULAR NOT AVAILABLE	SEE KIT FOR VALVE
03		PARTICOLARE NON DISPONIBILE	VEDI ASS. MULTIVALV.	03		PARTICULAR NOT AVAILABLE	SEE KIT FOR VALVE
04		PARTICOLARE NON DISPONIBILE	VEDI ASS. MULTIVALV.	04		PARTICULAR NOT AVAILABLE	SEE KIT FOR VALVE
05		PARTICOLARE NON DISPONIBILE	VEDI ASS. MULTIVALV.	05		PARTICULAR NOT AVAILABLE	SEE KIT FOR VALVE
06		PARTICOLARE NON DISPONIBILE	VEDI ASS. MULTIVALV.	06		PARTICULAR NOT AVAILABLE	SEE KIT FOR VALVE
07		PARTICOLARE NON DISPONIBILE	VEDI ASS. MULTIVALV.	07		PARTICULAR NOT AVAILABLE	SEE KIT FOR VALVE
08		PARTICOLARE NON DISPONIBILE	VEDI ASS. MULTIVALV.	08		PARTICULAR NOT AVAILABLE	SEE KIT FOR VALVE
09	12000068	AS.MOTORIDUT.SAIA X VALVOL.MULTIVIE P124		09	12000068	RATIOMOTOR FOR MULTIWAY VALVE P124 ASSY.	
10	11007618	SUPPORTO CALDAIA V2 P124/A NEUTRO		10	11007618	BOILER SUPPORT V2 P124/A	
11	129932502	VITE TCEI 5X30 PLAST.ZN-B		11	129932502	SCREW TCEI 5X30 PLAST.ZN-B	
12	11000323	RACCORDO X PERNO CALDAIA P124 NEUTRO		12	11000323	BOILER PIN CONNECTOR P124	
13	12000066	MICROINT.SAIA XCG5-U1Z1 C/ATTUATA FUNGO		13	12000066	MICROSWITCH SAIA XCG5-U1Z1	
14	11003069	COPERTURA MICRO VALV.MULTIVIE P124 NERO		14	11003069	BLACK COVER FOR VALVE MICROSWITCH P124	
15	12000804	TERMOSTATO 190° 1NT-08L-6067		15	12000804	THERMOSTAT 190° 1NT-08L-6067	
16	12000081	SENSORE TEMPERATURA NTC UL		16	12000081	TEMPERATURE SENSOR NTC UL	
17	11001460	RACC.FAST LOCK DIR.TUBO SIL.RETINATO		17	11001460	BLACK CONNECTOR FAST LOCK-SILICONE TUBE	
18	12000097	VALV.NON RITOR. PRESBLOCK RVNRP0505/SA		18	12000097	ONEWAY VALVE PRESBLOCK RVNRP0505/SA	
19	11011341	ASS.CALD.TUBOL/V4	230V-1300W	19	11011341	V4 TUB.BOILER ASSY.	230V-1300W
	11005608	AS.CALD.TUB.V3	120V-1300W		11005608	V3 TUB.BOILER ASSY.	120V-1300W
20	20000451	KIT RICAMBIO RACC.LATTE/VAPORE C/NT P124		20	20000451	SPARES KIT FOR CONNECTOR MILK/STEAM P124	
21	16000380	TUBO SIL.RETINATO 5X8,5 REHAU MATASSA		21	16000380	5X8,9 SILICONE TUBE IN ROLL	
22	JS01.022	TUBO SILICONE 5X10 60 SHORE IN MATASSA		22	JS01.022	SILICONE TUBE 5X10 60 SHORE IN ROLL	
23	129573202	VITE TCB PH/TT 4X8 UNI 8112 ZNP		23	129573202	SCREW TCB TORX 20 M4X8 AUTOFORMING ZN-B	
24	11006298	SUPPOR.CONNETTORI CALDAIA P124 GW NERO		24	11006298	BLACK BOILER CONNECTORS SUPPORT P124	
25	11007907	MOLLA X TERMOSTATI CALD.TUBOL.V5 ACC.		25	11007907	THERMOSTATES SPRING FOR BOILER	
26	12000892	FASCETTA OETIKER D=9,5 16700004		26	12000892	OETIKER CLAMP D=9,5 16700004	
27	U140.014	PANELVIT TCB 3,5X16 DIN 7505 B ZNP		27	U140.014	PANELVIT TCB 3,5X16 DIN 7505 B GAL	
28	U046.003	VITE TCB M4,0X12 ROND.DENT.8,5 ZNP		28	U046.003	SCREW TCB TORX 20 M4X12 ZN-B	
29	U302.003	DADO ESAGONALE M4 UNI 5588 ZNP		29	U302.003	NUT HEXAGONAL M4 UNI 5588	
30	11000322	COPERTURA ISOL.CALDAIA P124/A NERO		30	11000322	BLACK INSULATING COVER BOILER P124/A	
	11004326	COPERTURA ISOL.CALDAIA P124/A UL NERO	USA		11004326	BLACK INSULATING COVER BOILER P124/A UL	USA
	11009452	AS.CONN.5PALIMENT.CALDAIE V2 P124/A			11009452	5POLES CONNECTOR SUPPLY BOILERS P124/A	
31	11010341	AS.CONN.5PALIMENT.CALDAIE V2 P124/A UL	USA	31	11010341	5POLES CONNECT.SUPPLY BOILERS P124/A UL	USA
	20000827	KIT RICAM.VALV.MULTIVIE C/TUBI V2 P124/A CON PART. N°02-03-04-05-06-07-08-09-13-14-18 20-21-22-26-27-28-29			20000827	SPARES KIT FOR VALVE V2 P124/A WITH PART. N°02-03-04-05-06-07-08-09-13-14-18 20-21-22-26-27-28-29	



Cod.10002681-86-2811-23

POS	CODICE	DESCRIZIONE	NOTE
01	11011205	VITE DI INCREMENTO LUNGA MC ZAMA/TEA	
02	149198250	SUPPORTO SUP.MACINA MACINACAFFE V3 NER.	
03	140328960	OR METRICO 0530-15 IN NBR FDA	
04	146520100	MACINA 48X28 IN CERAMICA	
05	129574802	VITE TCB M4X30 ZN-B	
06	149198350	SUPPORTO INF.MACINA MACINACAFFE V3 NER.	
07	123030300	CUSCINETTO ASSIALE EKKO 342.35252	
08	140360500	ANELLO IN FELTRO DE=45,4 DI=39,4H=4	
09	145854360	GUARNIZ.SUP.CONT.CAFFE' MACINATO SMART1	
10	129024921	SQUADRETTA X CONVOGLIATORE USCITA CAF.	
11	11012564	AS.CONV.USCITA CAF.MACIN.V2 SMART1NER	
12	145854462	GUARNIZ.INF.CONT.CAFFE' MACINATO SMART1	
13	226000300	AS.ING.SX Z=38 X MOVIM.MACINA C/CALAMITA	
14	122100300	CALAMITA X VENTOLA TURBINA	
15	11004354	AS.MOTORE MC/V3.1 MOD=1,25 SX IME	230V
	11004409	AS.MOTORE MC/V3.1 MOD=1,25 SX IME	120V
16	149214800	TAPPO CENTRAG.VITE S/FINE MOD=1,25 MC/V3	
17	129661702	VITE PANELVIT TCB 3,5X30 D.7505 ZNP	
18	11002873	BOCCOLA ISOLANTE X MOTORE MC P124 NERA	
19	11000597	MOLLA DI SUPPORTO MOTORE MC P124 ACC.	
20	129914002	VITE TCB 3,5X16 PLAST.ZN-B	
21	11002508	SUPPOR.SUP.INGR.REGOL.MACINAT.P124 NERO	
22	11002509	INGRAN.Z=14-24 REGOL.MACIN.CAF.P124 NERO	
23	11002572	MOLLA REGOLAZIONE MACINACAFFE' P124 AC.	
24	11002613	SUPPOR.INF.INGR.REGOL.MACINAT.P124 NERO	
25	142905450	CORPO SUP.C/USCITA CAFF.MACINATO MC NER	
26	128381800	RONDELLA DI BILANCIAMENTO 21,8X14X0,25	
27	123030200	CUSCINETTO RADIALE 61900.2RS1	
28	181540900	BAS.ELET.C/SENSORE HAL 506 SF-K C/CONNET	
29	11000194	SUPPORTO MOTORE MACINACAFFE' P124 NERO	
30	149199050	SUPPORTO SENSORE TERMICO X MOTORE MC	
31	128381902	RONDEL.PIANA DI=4,3 DE=14 SP=1,5 AC/ZINC	
32	128310402	ROSETTA UNI 8842 A4 ZINCATA	
	11011714	AS.GEN.MOTORE MACINACAF.V3 P124 230V	
	11011718	AS.GEN.MOTORE MACINACAF.V3 P124 120V	

POS	CODE	DESCRIPTION	NOTE
01	11011205	TEA/ZAMA INCREASE SCREW GRINDER	
02	149198250	UPPER GRINDER SUPPORT COFFEEGRINDER	
03	140328960	NBR FDA OR METRIC 0530-15	
04	146520100	BAKED CLAY GRINDER 48X28	
05	129574802	SCREW TCB TORX 20 M4X30 ZN-B	
06	149198350	LOWER GRINDER SUPPORT COFFEEGRINDER	
07	123030300	AXIAL BEARING EKKO 342.35252	
08	140360500	FELT RING 45,4X39,4X4	
09	145844360	STEAM SOCKET SEAL , NBR LP	
10	129024921	BRACKET FOR COFFEE OUTLET CONVEYOR	
11	11012564	GROUND COFFEE OUTLET CONVEYOR V2 ASSY.	
12	145854462	GROUND COFFEE CONT.SEAL LOWER SMART1	
13	226000300	GEAR SX Z=38 FOR GRINDER MOTION ASSY.	
14	122100300	MAGNET FOR TURB. FAN	
15	11004354	MOTOR COFFEEGRINDER/V3.1 IME ASSY.	230V
	11004409	MOTOR COFFEEGRINDER/V3.1 IME ASSY.	120V
16	149214800	CAP FOR WORM SCREW MC/V3 CENTRING	
17	129661702	SCREW TCB TORX 3,5X30 PLAST.ZN-B	
18	11002873	INSULATOR BUSH FOR GRINDER MOTOR P124	
19	11000597	COFFEE GRINDER SUPPORT SPRING P124	
20	129914002	SCREW TCB TORX 10 3,5X16 PLAST.ZN-B	
21	11002508	UPPER GEAR SUPPORT COFFEEGRINDER P124	
22	11002509	COFFEE GRINDING ADJUSTMENT GEAR P124	
23	11002572	GRINDER REGULATION SPRING P124	
24	11002613	LOWER GEAR SUPPORT COFFEEGRINDER P124	
25	142905450	UPPER BODY WITH COFFE.GROUND OUTLET	
26	128381800	CRINKLE WASHER 21,8X15,8X0,2	
27	123030200	RADIAL BEARING 61900.2RS1	
28	181540900	ELECTRONIC BOARD WITH SENSOR HAL506	
29	11000194	BLACK GRINDER MOTOR SUPPORT P124	
30	149199050	SENSOR SUPPORT FOR COFF.GRIND.MOTOR	
31	128381902	GALVAN.FLAT WASH.DI=4,3 DE=14 SP=1,5	
32	128310402	GALV.WASHER UNI 8842 A4	
	11011714	GENERAL MOTOR MC V3 P124 230V ASSY.	
	11011718	GENERAL MOTOR MC V3 P124 120V ASSY.	



**Saeco** SUP030ND  
INTERNATIONAL GROUP



Cod.10002681-86-2811-23

POS	CODICE	DESCRIZIONE	NOTE	POS	CODE	DESCRIPTION	NOTE
01	11000688	AS.PIASTR.DI MONTAG.MOTORID.C/PERNO P124		01	11000688	RATIOMOTOR MOUNTING PLATE P124 ASSY.	
	11009247	AS.PIASTRA.MONTAGGIO MOTORIDUT.P124 UL	USA		11009247	RATIOMOTOR MOUNTING PLATE P124 UL ASSY.	USA
02	148380200	RONDELLA TELA BAKELIZZATA D=5,5		02	148380200	WASHER BAKELIZZATE D=5,5	
03	140325462	OR METRICO 0070-20 IN SILICONE		03	140325462	OR METRIC 0070-20 IN SILICONE	
04	9161.132	RONDELLA MYLAR X MOTORIDUTTORE		04	9161.132	MYLAR WASHER FOR RATIOMOTOR	
05	NE05.038	MICROINTERRUTTORE		05	NE05.038	MICROSWITCH	
06	12000665	MICROINTERRUTTORE SAIA X3M502K2AAJ32AV		06	12000665	MICROSWITCH SAIA X3M502K2AAJ32AV	
07	11006636	SUPP.MICRO CASS.RACC.FONDI P124 GW NERO		07	11006636	MICROSWITCH FOR DUMP BOX SUPPORT P124	
08	11003037	AS.MOTORE X MOTORIDUTTORE C/CONDENS.		08	11003037	MOTOR FOR RATIOMOTOR ASSY.	
09	9121.046	BOCCOLA SINTERIZZATA X MOTORE		09	9121.046	SINTERED BUSH FOR MOTOR	
10	9121.044	ANTIVIBRANTE X MOTORE		10	9121.044	ANTIVIBRATION FOR MOTOR	
11	20000900	KIT RICAMBI INGRANAGGI MOTORIDUTTORE V2		11	20000900	SPARES KIT GEARS FOR RATIOMOTOR V2	
12	129914102	VITE TORX K 35X12 WN 1423 ZINCATA		12	129914102	SCREW TSP TORX 10 3,5X12 PLAST.ZN-B	
13	U109.040	VITE AUT.TCB 3,9X32 DIN 7981 C NIK		13	U109.040	screw AUT.TCB 3,9X32 DIN 7981 C	
14	11001966	COPERTURA PIASTRA MONTAGGIO P124 NERO		14	11001966	BLACK COVER MOUNTING PLATE P124	
	11009246	COPERT.PIASTRA MONTAGGIO P124 UL NERO	USA		11009246	BLACK COVER MOUNTING PLATE P124 UL	USA
15	142856550	COPERTURA VANO CALDAIA P119 NERA		15	142856550	BLACK COVER FOR VAIN BOILER P119	
	11009323	COPERTURA VANO CALDAIA P119 UL NERO	USA		11009323	BLACK COVER FOR VAIN BOILER P119 UL	USA
16	11005060	AS.PERNO V2 X CALDAIA P119		16	11005060	PIN V2 FOR BOILER P119 ASSY.	
17	9011.132	MOLLA X SPILLO		17	9011.132	SPRING FOR PIN	
18	11003820	TAPPO V2 X PERNO CALDAIA P119		18	11003820	CAP V2 FOR PIN BOILER P119	
19	11009019	AS.PISTONCINO C/GOLA L=20,9 OTTI/TEA		19	11009019	TEA/BRASS PISTON L=20,9 ASSY.	
20	140328059	OR 2015 IN SILICONE PTFE/FDA		20	140328059	OR 2015 IN SILICONE PTFE/FDA	
21	140324459	OR METRICO 0060-20 SILICON.PTFE/FDA		21	140324459	OR ORM 0060-20 IN SILICONE PTFE/FDA	
22	11003801	PERNO V2 X CALDAIA P119		22	11003801	PIN V2 FOR BOILER P119	
23	11005099	CURSORE V2 X CALDAIA P119		23	11005099	CURSOR V2 FOR BOILER P119	
24	NM01.035	OR ORM 0090-20 SILICONE		24	NM01.035	OR ORM 0090-20 SILICONE	
25	NM01.057	OR ORM 0050-20 SILICONE		25	NM01.057	OR ORM 0050-20 SILICONE	
26	11005921	GRUPPO CAFFE V2 P124/SBS 8GR.NERO		26	11005921	BLACK BREW UNIT 8GR.V2 P124/SBS	
		<b>VEDI COD. ESPLOSO E90060</b>				<b>SEE COD. EXP. E90060</b>	