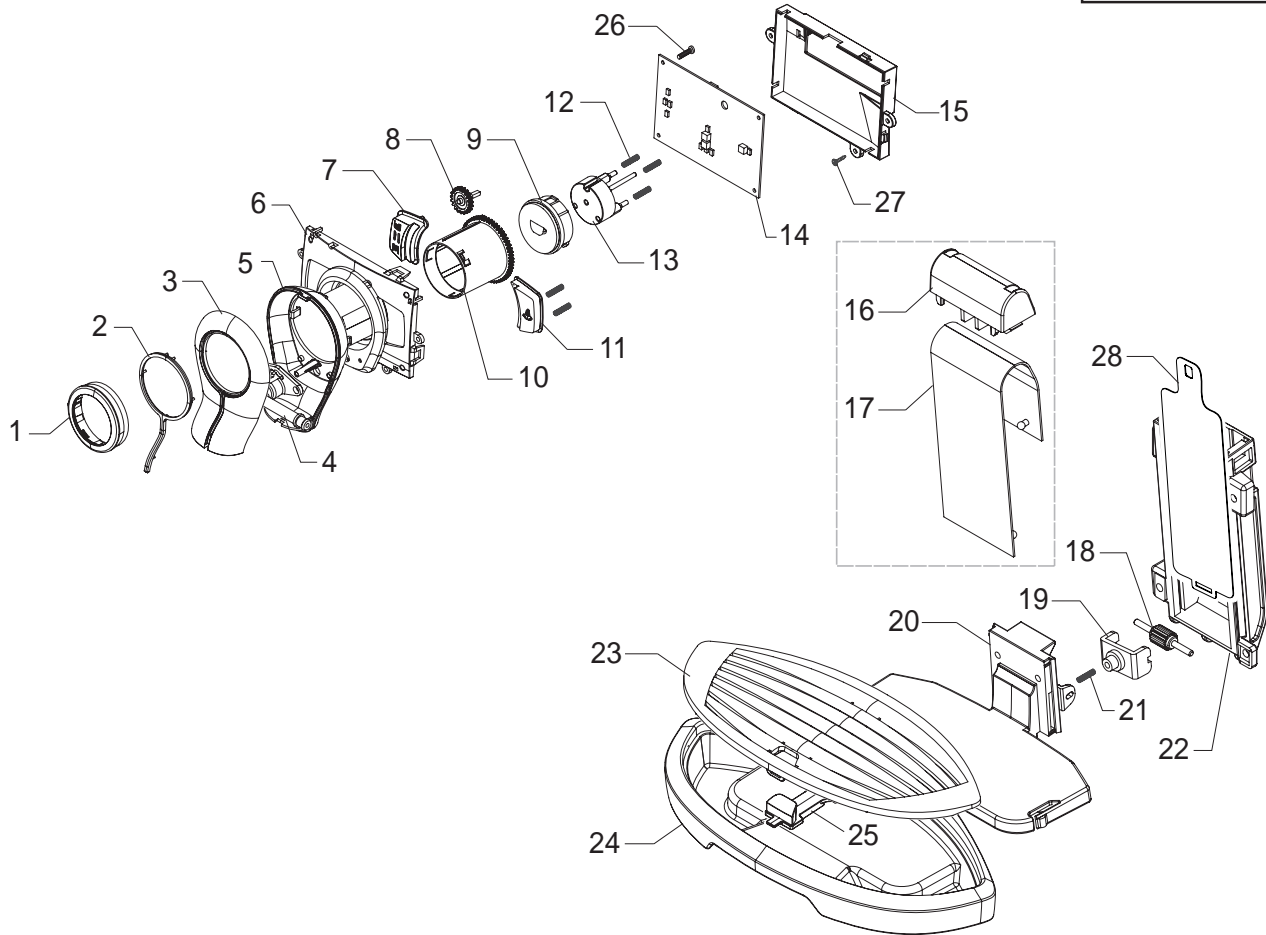


Saeco SUP0310
INTERNATIONAL GROUP



Cod.1000205-248-1592-93-94
Cod.10001595-96-97-98-99-1823

POS	CODE	DESCRIPTION	NOTE	POS	CODE	DESCRIPTION	NOTE
01	15001460	MANUAL V2 SAE P0049/A SUP0310 NL/PL		26	12000280	CUP SOCKET EN 60320 C 13	
01	15001461	MANUAL V2 SAE P0049/A SUP0310 D/I		27	11007060	GENERAL SWITCH FOR P124	
01	15001462	MANUAL V2 SAE P0049/A SUP0310 GB/F		28	11004591	CARBONA WATER TANK OUTLET COVER P0049	
01	15001463	MANUAL V2 SAE P0049/A SUP0310 E/P		29	11011355	BORDEAUX WATER TANK OUTLET COVER P0049	
01	15001653	MANUAL INSTRUCTIONS SUP0310 CHN		30	11001762	TRANSPAR.BEAN CONTAINER V2 P0049	
02	127390100	BRUSH FOR CLEANING		31	11009191	NATUR/GREY BEAN COFF. CONT.LID P0049 ASSY	
03	11003785	BLACK GRINDER ADJUSTMENT KEY P0049		32	11001360	BLACK POWER BOARD PROTECTION V2 P0049	
04	183911050	POWER CABLE SCHUKO BLACK L=1200		33	11001360	PWR BOARD P0049/P0053	230V
	183930650	PO.CABL.CH BLACK 3X1 H05VV-F L=1200		34	11003968	PWR BOARD P0049/P0053	100V-120V
	183921950	POWER CABLE SJT3 USA BLACK UL L=1200		35	9161.111	MAGNET FOR FLOAT SUPERAUTOM.	
	183940650	BLACK POWER CABLE AUSTRALIA L=1200		36	11008956	SS SPRING FOR LOCK DOOR G0053	
	183980650	POWER CABLE JAPPON VCTF BLACK L=1200 MM		37	11001340	BLACK DOOR PIN P0049	
	11001985	BLACK POWER CABLE KOREA 3X1 L=1200		38	11004578	CARBONA DOOR P0049	
	11004245	BLACK POWER CABLE BRAZIL W/CONNECT.L=1200		39	11007006	BORDEAUX DOOR P0049	
	11004246	BLACK POWER CABLE TAIWAN HVCTF L=1200		40	11001091	BLACK INSIDE COVER DOOR P0049	
	11004247	BLACK POWER CABLE RVV 3X1 CHINA L=1200MM		41	11009283	BLACK INSIDE COVER DOOR P0049 UL	
05		PARTICULAR NOT AVAILABLE	SEE PART.N°53	42	11004592	CARBONA ON-OFF BUTTON INSERT P0049	
06		PARTICULAR NOT AVAILABLE	SEE PART.N°53	43	11007005	BORDEAUX ON-OFF BUTTON INSERT P0049	
07		PARTICULAR NOT AVAILABLE	SEE PART.N°53	44	11011129	SPECCHIATO ON-OFF SWITCH BUTTON P0049	
08	11001746	NATUR/GREY WATER CONTAINER P0049 ASSY.		45	11001437	BLACK CAP FOR CONNECTIONS P0049/P0053	
09	224640200	EXTERNAL FILTER FOR WATER CONTAINER ASSY	WITH PART.N°10	46	11001339	TRANSPARENT INFRAREDS PLATE P0049	
10	140328461	EPDM OR METRIC 0190-10		47	11001339	TRANSPARENT INFRAREDS PLATE P0049	
11	11003672	SPRING FOR WATER CONTAINER VALVE P0049		48	11009283	BLACK INSIDE COVER DOOR P0049 UL	
12	11003673	GREY WATER CONTAINER VALVE INSERT P0049		49	129913202	SCREW TCB TORX 10 3X8 PLAST.ZN-B	
13	11003671	TRANSP.VALVE FOR WATER CONTAINER P0049		50	129661702	SCREW TCB TORX 3,5X30 PLAST.ZN-B	
14	11001298	BLACK LID FOR DUCKBILL VALVE P0049		51	11006567	LWR INSULATE SHEET PWR ELECT.BOARD P0053	(ONLY 120V)
15	11001308	NATURAL/GREY WATER CONTAINER LID P0049		52	11007234	UPP.INSULATE SHEET PWR ELECT.BOARD P0053	(ONLY 120V)
16	11004687	MOUNTING PLATE WITH PIN P0049 PP+T ASSY.		53	20006675	KIT SPARES FOR PACKAGING V3 P0049	
17	11009301	MOUNTING PLATE WITH PIN P0049 UL ASSY.					
18	11000223	BLACK WHEEL FOR CASING BOTTOM P124					
19	11011596	SPECCHIATO CASING COVER V2 P0049					
20	11004372	SILVER WATER-STEAM KNOB P0049					
21	11004142	SILVER PLATE LOGO SAECO NEW P0049/P0053					
22	11004907	BLACK PLATE WITH LOGO ODEA P0049 GO					
23	11004575	CARBONA RIGHT SIDE CASING P0049					
23	11007001	BORDEAUX RIGHT SIDE CASING P0049					
23	11004576	CARBONA LEFT SIDE CASING P0049					
23	11007002	BORDEAUX LEFT SIDE CASING P0049					
24	11003533	BLACK DUMP BOX P0049 ASSY.					
25	11004579	CARBONA DRIP TRAY COFFEE UNIT P0049					
	11007003	BORDEAUX DRIP TRAY COFFEE UNIT P0049					

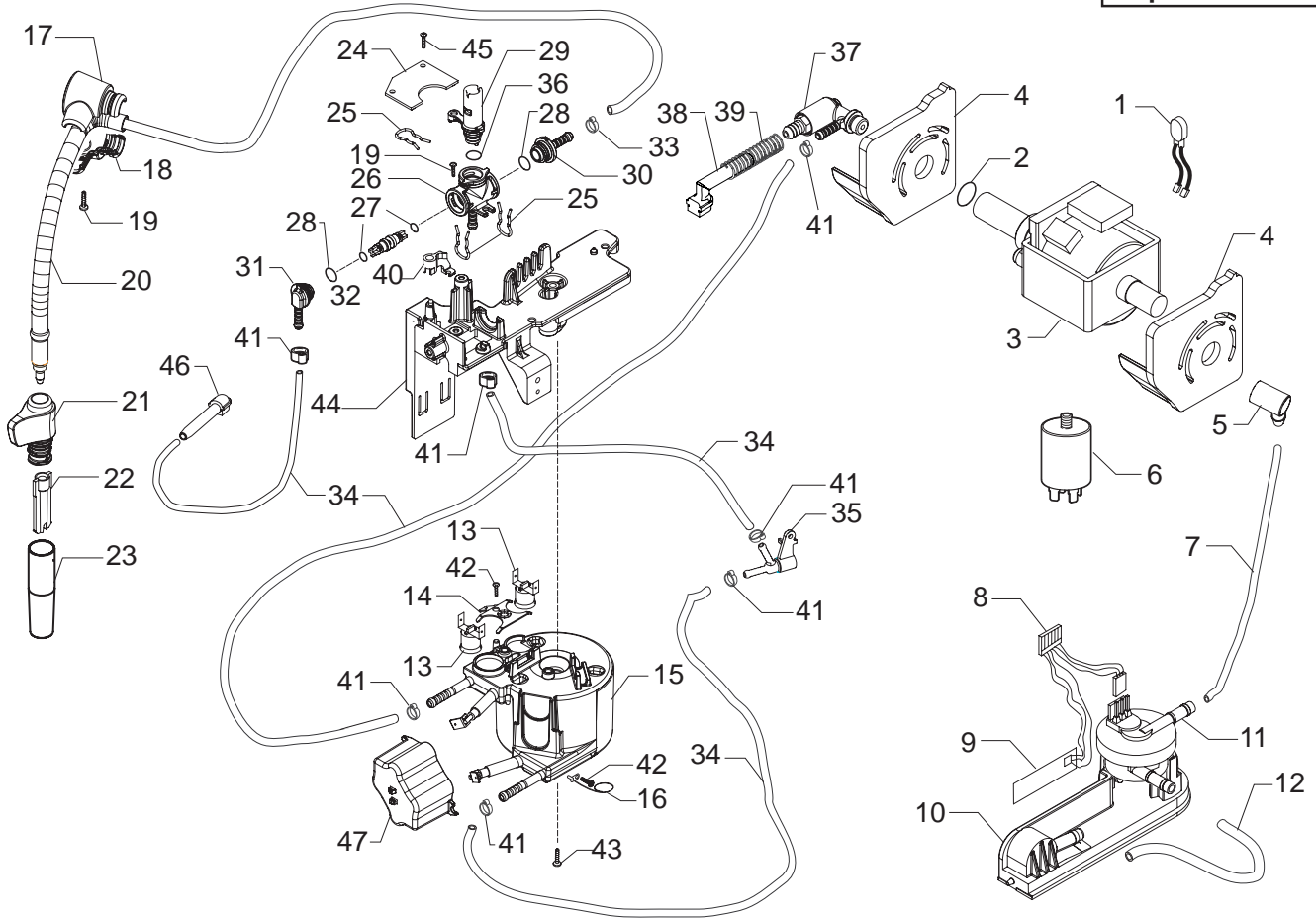


Saeco SUP0310
INTERNATIONAL GROUP



Cod.10000205-248-1592-93-94
Cod.10001595-96-97-98-99-1823

POS	CODE	DESCRIPTION	NOTE	POS	CODE	DESCRIPTION	NOTE
01	11011220	SPECCHIATO HEIGHT REGULATION NUT P0049					
02	11001788	AMBRA COFFEE DISPENSER LENS P0049					
03	11011223	SPECCH.FRONT COF.DISPENSER COVER P0049					
04	11001772	TRANSP.INNER CASING COFF.DISPENSER P0049					
05	11011221	SPECCHIAT.REAR COF.DISPENSER COVER P0049					
06	11011224	SPECCHIATO SUPPORT ELECTR.CARD P0049					
07	11001351	BLACK BUTTON FOR ALLARMS P0049					
08	11001320	BLACK GEAR Z=19 FOR P0049					
09	11004388	CARBONA COFFEE BUTTON P0049/A S.SCREEN					
10	11001314	BLACK SUPPORT FOR RING NUT P0049					
11	11001353	BLACK STEAM BUTTON P0049					
12	11001363	SPRING FOR BUTTONS P0049					
13	11001334	BLACK COFFEE BUTTON SPACER P0049/A					
14	20000653	KIT SPARES CPU P0049 + FAUCET BOARD 3SEN UP TO S/N. 9006SA40301265	WITH PA.N°24 TA.3				
	11004915	AS.CPU+SW V1 P0049					
	20003340	FR. S/N.9006SA40301266 UP TO S/N.9007SA40457510 KIT SPARES CPU+SW V2 P0049 ASSY. FROM S/N.9007SA40457511					
15	11001299	BLACK SUPPORT ELECTR.CARD CPU P0049.					
16	11001304	BLACK DRIP TRAY GUIDE LID P0049 UP TO S/N. 9008SA40110704					
17	11001438	SILVER DRIP TRAY SUPPORT PROTECT.P0049 UP TO S/N. 9008SA40110704					
18	11001758	PIN WITH BLACK INSERT ASSY.P0049					
19	11001335	BLACK PIN INSERT FOR DRIP TRAY P0049					
20	11001295	BLACK DRIP TRAY SUPPORT P0049					
21	11001364	MOVE DRIP TRAY SPRING P0049					
22	11001294	BLACK DRIP TRAY GUIDE P0049					
23	11011128	SPECCHIATO GRATE FOR DRIP TRAY P0049					
24	11009633	CARBONA DRIP TRAY P0049					
25	11004185	AMBRA FLOAT FOR DRIP TRAY P0049					
26	129913202	SCREW TCB TORX 10 3X8 PLAST.ZN-B					
27	12000450	SCREW TCB TORX 10 3,5X12 PLAST.GALVANIZ					
28	11007037	SPECCHIATO DRIP TRAY PROTECTION V2 P0049 FROM S/N. 9008SA40110705					

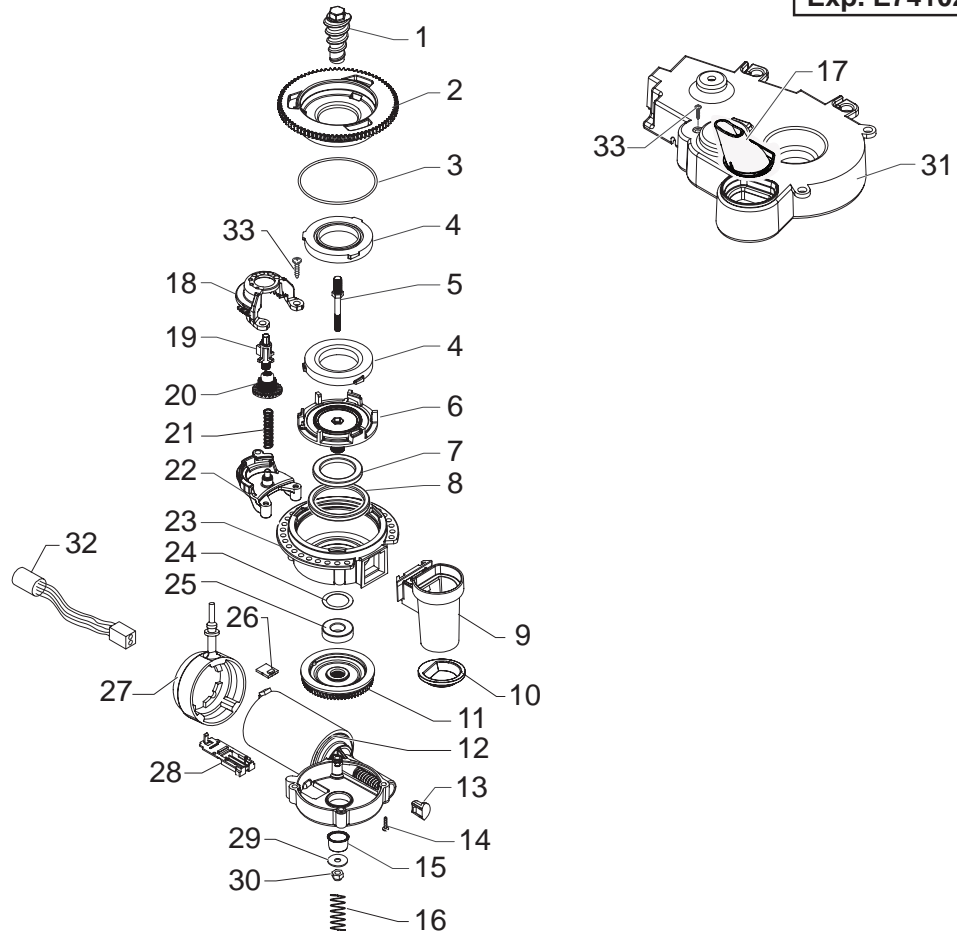


Saeco SUP0310
INTERNATIONAL GROUP



Cod.1000205-248-1592-93-94
Cod.10001595-96-97-98-99-1823

POS	CODE	DESCRIPTION	NOTE	POS	CODE	DESCRIPTION	NOTE
01	11005668	2POLES CONNECTOR PUMP P0049 UL		32	11004134	BRASS FAUCET SHAFT P0049	
02	140321961	OR 2031 IN TERMOIL	WITH PART. N°37	33	NF11.052	OETIKER CLIP	
03	12000140	ULKA PUMP EP5/S GW	230V-50HZ	34	16000380	5X8,9 SILICONE TUBE	IN ROLL
	12000130	ULKA PUMP EP5/S GW	100V-50/60HZ	35	11001330	BLACK CONNECTOR FOR PIN BOILER P0049	
	12000142	ULKA PUMP EAP5/S	120V-60HZ	36	140321861	DESCARGING WATER CONNECT. SPRING P0049	
	12000182	ULKA PUMP EP5/S GW	220V-60HZ	37	11010166	SAFETY VALVE 16-18 BAR V2 P0049 ASSY.	
04	11006296	BLACK PUMP SUPPORT P0049		38	11001629	PUMP DESCARGING WATER CONNECT. P0049	
05	147920150	90°CONNECTOR PUMP INLET		39	11005003	DESCARGING WATER CONNECT. SPRING P0049	
06	12000005	ANTIDISTURB FILTER 10A FNC 1005474103P	230V	40	11008876	BRASS FAUCET BLOCK INSERT P0049/A	
	12000007	ANTIDISTURB FILTER 16A FNC 1610474472P	120V	41	12000892	OETIKER CLAMP D=9,5 16700004	
	12001363	QUICK-LOCK ANTIDISTURB FILTER 16A	100V	42	129573202	SCREW TCB PH/TT 4X8 UNI 8112 ZNP	
07	149360200	SILICONE TUBE 5X8 70SR	IN ROLL	43	129932502	GALVANIZDE SELF DRILLING SCREW 5X30	
08	11005648	6 POLES CONNec. LEVEL+FLOWMETER P0049 UL		44	11001332	SUPPORT FOR BOILER-FAUCET-VALVE P0049	
09	11000651	WATER LEVEL SENSOR BOARD P124		45	129913202	SCREW TCB TORX 10 3X8 PLAST.ZN-B	
10	11003670	BLACK TURBINE SUPPORT/V2 P0049		46	11001630	MILK ISLAND DESCARGING WATER CONNECT.	
11	12000781	TURBINE D=1,2 932-8521/90 ASSY.		47	11005284	BLACKBOILER CONNECT. COVER P0049/P0053	
12	JS01.022	SILICONE TUBE 5X10 60 SHORE	IN ROLL				
13	189428600	THERMOSTAT 175° 1NT-08L-5125					
14	11001751	THERMOSTATES SPRING FOR BOILER			11008698	TEA/BRASS FAUCET P0049-P0053 ASSY.	
15	11011341	ALUM.BOILER/V4 ASSY.	230V-1300W			WITH PART. N°25-26-27-28-29-30-31-32-48	
	11011342	ALUM.BOILER/V4 ASSY.	120V-1300W		11001748	ALUM.BOILER P0049/A 230V ASSY.	COMPLETE
	11011343	ALUM.BOILER/V4 ASSY.	100V-1300W		11005774	ALUM.BOILER P0049/A 120V ASSY.	COMPLETE
16	190800100	TEMPERATURE SENSOR NTC UL L=280MM			11005775	ALUM.BOILER P0049/A 100V ASSY.	COMPLETE
17	11004196	CHROMED UPPER STEAM TUBE COVER P0049					
18	11004197	CHROMED LOWER STEAM TUBE COVER P0049					
19	129913902	SCREW TCB 3X12 PLAST.ZN-B					
20	11022486	TF/CHROM.STEAM TUBE V2 P0049/P0053 ASSY.					
21	11001625	STEAM TUBE HANDGRIP P0049					
22	11001620	PANNARELLO INTERNAL TUBE P0049					
23	11001769	BLACK COVER PANNARELLO P0049/A					
24	20000653	KIT SPARES CPU P0049 + FAUCET BOARD 3SEN UP TO S/N. 9006SA40301265	WITH PA.N°14 TA.2				
	11007569	TAP ELECTRONIC CARD G0053 ASSY. FROM S/N. 9006SA40301266					
25	11001499	FORK SPRING FOR FAUCET P0049					
26	11004625	TEA/BRASS FAUCET CASING P0049					
27	12000890	OR 2012 IN EPDM FDA 70 SH					
28	12000931	OR 108 IN EPDM FDA 70 SH					
29	11004135	PLAST/BRASS FAUCET SHAFT P0049 ASSY.					
30	11001546	FAUCET STRAIGHT CONNECTOR P0049					
31	11001544	FAUCET CONNECTOR P0049					

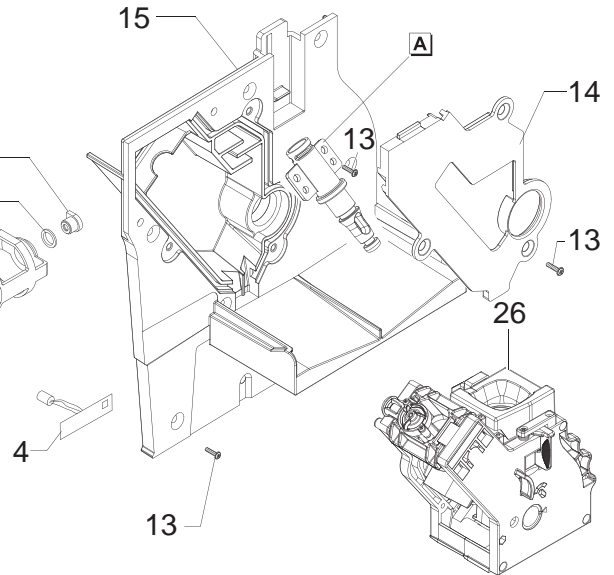
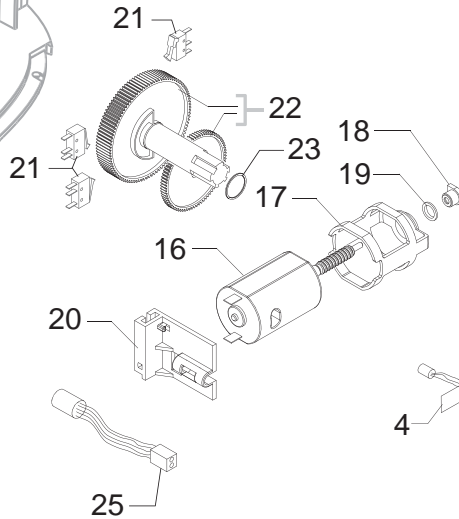
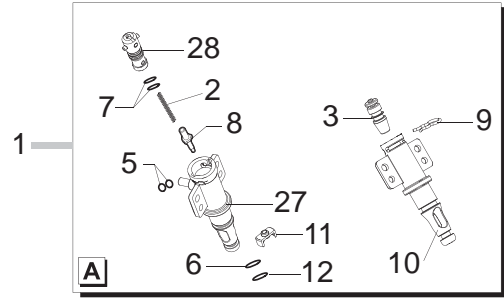
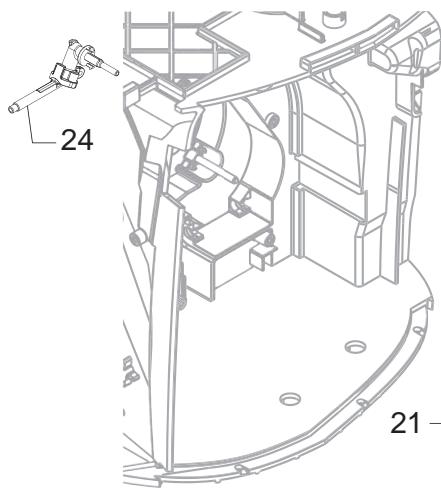


Saeco SUP0310
INTERNATIONAL GROUP



Cod.10000205-248-1592-93-94
Cod.10001595-96-97-98-99-1823

POS	CODE	DESCRIPTION	NOTE	POS	CODE	DESCRIPTION	NOTE
01	9141.001	SCREW OF INCREMENT					
02	149198250	UPPER GRINDER SUPPORT COFFEEGRINDER					
03	140328960	NBR FDA OR METRIC 0530-15					
04	146520100	BAKED CLAY GRINDER 48X28					
05	127473603	STEEL PIN M4-M6 FOR INCREMENT SCREW					
06	149198350	LOWER GRINDER SUPPORT COFFEEGRINDER					
07	123030300	AXIAL BEARING EKKO 342.35252					
08	140360500	FELT RING 45,4X39,4X4					
09	11012564	GROUND COFFEE OUTLET CONVEYOR V2 ASSY.					
10	145854462	GROUND COFFEE CONT.SEAL LOWER SMART1					
11	226000300	GEAR SX Z=38 FOR GRINDER MOTION ASSY.					
12	11000513	MOTOR COFFEEGRINDER/V3.1 DOMEL ASSY	230V				
	11000511	MOTOR COFFEEGRINDER/V3.1 DOMEL ASSY	120V				
	11000512	MOTOR COFFEEGRINDER/V3.1 DOMEL ASSY	100V				
13	149214800	CAP FOR WORM SCREW MC/V3 CENTRING					
14	129661702	PANELVIT TCB SCREW 3,5X25 D.7505 ZN					
15	11002873	INSULATOR BUSH FOR GRINDER MOTOR P124					
16	11000597	COFFEE GRINDER SUPPORT SPRING P124					
17	11004199	BLACK CONDENSE CONVEYOR P0049					
18	11002508	UPPER GEAR SUPPORT COFFEEGRINDER P124					
19	11003446	BLACK INSERT FOR COFFEE GRINDER P0049					
20	11003784	COFFEE GRINDING ADJUSTMENT GEAR P0049					
21	11002572	GRINDER REGULATION SPRING P124					
22	11002613	LOWER GEAR SUPPORT COFFEEGRINDER P124					
23	142905450	UPPER BODY WITH COFFE.GROUND OUTLET					
24	128381800	CRINKLE WASHER 21,8X15,8X0,2					
25	123030200	RADIAL BEARING 61900.2RS1					
26	181540900	ELECTRONIC BOARD WITH SENSOR HAL506					
27	11001367	BLACK COFFEE GRINDER SUPPORT P0049					
28	149199050	SENSOR SUPPORT FOR COFF.GRIND.MOTOR					
29	128381902	GALVAN.FLAT WASH.DI=4,3 DE=14 SP=1,5					
30	123453102	SELF LOCK NUT M4 DIN 982 HIGH GALV.					
31	11001826	SOUNDPROOFING COVER FOR COFGRIND. P0053					
32	11005658	5POLES CONNECTOR MC SENSORS P0049 UL					
33	129914002	SCREW TCB TORX 10 3,5X16 PLAST.ZN-B					
	11007416	GENERAL MOTOR MC V2 P0049 230V ASSY.					
	11007417	GENERAL MOTOR MC V2 P0049 120V ASSY.					
	11007418	GENERAL MOTOR MC V2 P0049 100V ASSY.					



Saeco SUP0310
INTERNATIONAL GROUP



Cod.1000205-248-1592-93-94
Cod.10001595-96-97-98-99-1823

POS	CODE	DESCRIPTION	NOTE	POS	CODE	DESCRIPTION	NOTE
01	11005060	PIN V2 FOR BOILER P119 ASSY.		25	11003661	REED SENSOR MK3-1A66-BV16451	
02	9011.132	SPRING FOR PIN		26	11002145	BLACK BREW UNIT 8GR. P124/SBS	
03	11000692	NIKELED BRASS CAP FOR PIN BOILER P119 UP TO S/N.9007SA40001046			11012382	BLACK BREW UNIT 8GR.5BAR P0057 SEE EXP.CODE E90067 WITH COD. 11010544	
04	11000651	WATER LEVEL SENSOR BOARD P124 UP TO S/N. 9007SA40457510		27	11003801	PIN V2 FOR BOILER P119 FROM S/N 9007SA40001047	
05	140328059	OR 2015 IN SILICONE PTFE/FDA		28	11003820	CAP V2 FOR PIN BOILER P119 FROM S/N 9007SA40001047	
06	NM01.035	OR ORM 0090-20 SILICONE					
07	140324459	OR METRICO 0060-20 SILICON.PTFE/FDA					
08	11009019	TEA/BRASS PISTON L=20,9 ASSY.	WITH PART. N°04				
09	9011.144	FORK FOR TUBE D.4 UP TO S/N.9007SA40001046					
10		PARTICULAR NOT AVAILABLE UP TO S/N.9007SA40001046	SEE PART.N°01				
11	9011.099	M CURSOR FOR BOILER VALVE IN PLASTIC UP TO S/N.9007SA40001046					
	11005099	CURSOR V2 FOR BOILER P119 FROM S/N 9007SA40001047					
12	NM01.057	OR ORM 0050-20 SILICONE					
13	129914102	SCREW K 35X12 WN 1423 GALVANIZED					
14	11001312	BLACK COVER FOR VAIN BOILER P0049					
	11009284	BLACK COVER FOR VAIN BOILER P0049 UL					
15	11006337	BLACK COVER FOR MOUNTING PLATE P0049 AS.					
	11009287	BLACK COVER MOUNTING PLATE P0049 UL ASSY					
16	11003037	MOTOR FOR RATIOMOTOR ASSY.					
17	9121.044	ANTIVIBRATION FOR MOTOR					
18	9121.046	SINTERED BUSH FOR MOTOR					
19	148380200	WASHER BAKELIZZATE D=5,5					
20	11001331	BLACK MICROSW. SUPPORT DUMP BOX P0049					
21	NE05.038	MICROSWITCH					
22	20000455	SPARES KIT GEARS FOR RATIOMOTOR P124 UP TO S/N. 9007SA40457510					
	20000900	SPARES KIT GEARS FOR RATIOMOTOR V2 FROM S/N. 9007SA40457511					
23	9161.132	MYLAR WASHER FOR RATIOMOTOR					
24	11003468	COFFEE DISPENSING VALVE P0049 ASSY. UP TO S/N. 9006SA40292687					
	11007647	V3 COFFEE DISPENSING VALVE P0049 ASSY. FROM S/N. 9006SA40292688					
	11010544	V4 COFFEE DISPENSING VALVE P0049 ASSY. WITH KIT COD.20005362					