

**Saeco**® SIN 010

CE Cod. 7184

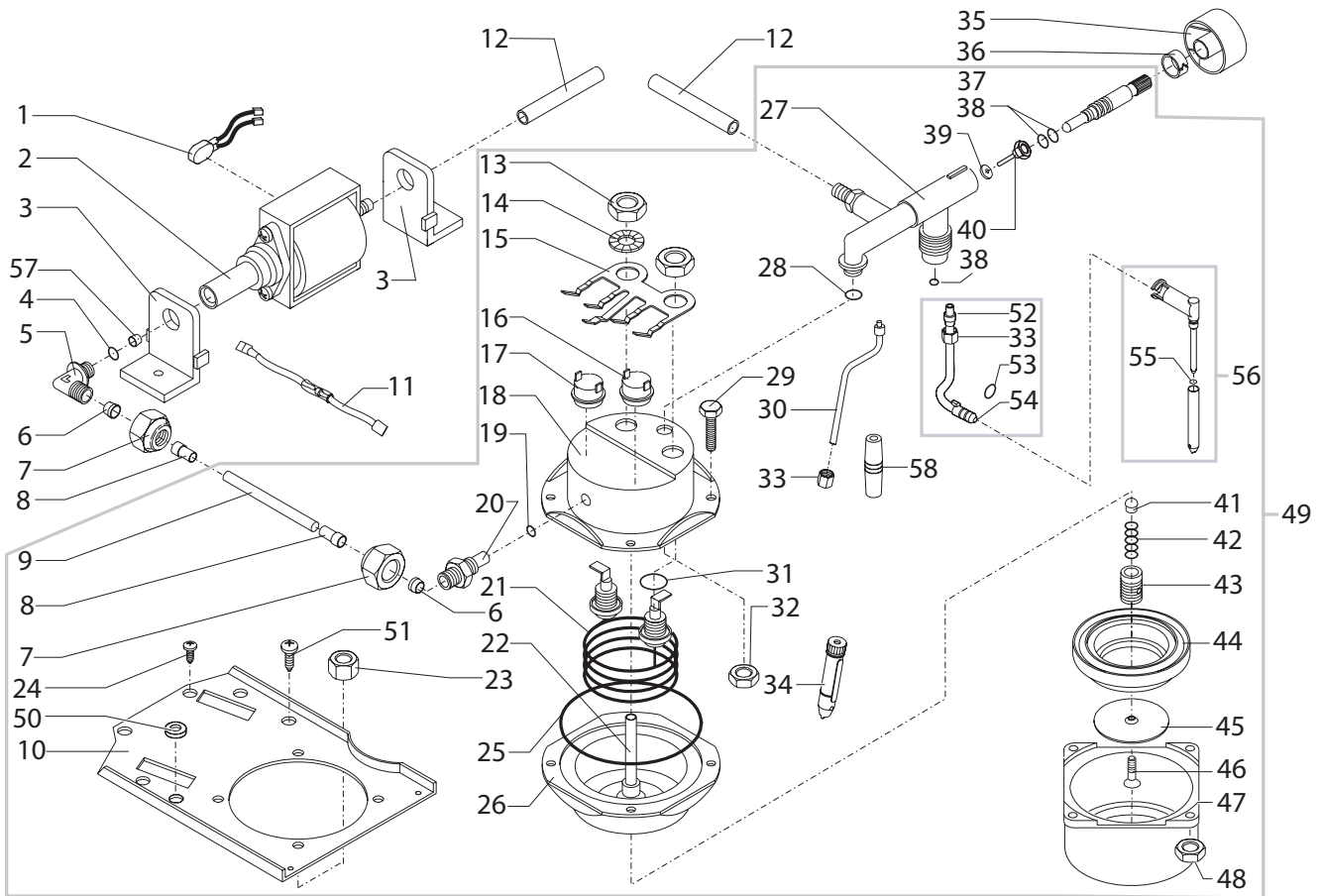
POS	CODE	DESCRIPTION	NOTE	POS	CODE	DESCRIPTION	NOTE
01	142804750	WATER CONT.LID BLACK SEB		20	144701172	CAS.BO. TYPE SEB HB UL 94 PAI. T.G	
02	142692800	WATER CONTAINER TRANSP/GREEN FOR SEB		21	147621050	CAS.BOTTOM TYP.SEH HB UL94 PAINT.S	
03	177763400	UPPER POLYST.PROTECT.GRANCREMA BOX		22	124653221	POD FILTER F.D=31 MM H=20,2MM P=2 MM	
04	175892500	CARDBOARD INSERT ACCESSORIES ESPR.PLUS		23	145849762	PRES.FILTER HOLDER SS.BOILER H=11,3	
05	142693400	WATER CONTAIN.TRANSP/GREEN AS + LID SEB		24	144880750	BLACK FRONT PLATE GCREMA S/SCR.GCREMA	
06	178548200	DISPLAY BOX SAECO GRAN CREMA			144881050	FR.PL.BLA. GCREMA S/SCRE. FUST DX	
	178548500	NEUT. BOX GRINDMAS ESPRESSIMO 1100			144880752	BLACK-H FRONT PLATE GCREM. S/SCR.GCREMA	
07	142807272	CAS.LID TYPE SEB HB UL 94 PA. T.GR			144880850	FR.PL.BLA-V GCREMA S/SCR GRINMASTE	
	142807241	CASING LID TYPE SEB HB UL94 PAINT.			224884986	CHRO.FR.PAN.GRCREM.S/SC.SAEC.DELUXE	
08	142572772	CAS. SEB HB UL 94 OVAL HOLE PA. T.		250	186014950	SWITCH BLACK CASING UL/CSA B23WD1EX0006	
	142572741	CASING SEB HB UL94 OVAL HOLE PAINT		260	145740450	GRATE BLACK FOR SEB GRANCAFFE	
	226473972	KIT GRANCREMA CASING SIN010 HB/TAL			145740486	CHROMED GRATE FOR SEB GRAN CAFFE	
09	145841400	WATER VALVE PISTON SEAL		27	145500211	RED FLOAT FOR SEB GRAN CAFFE'	
	140324362	OR METRIC 0060-30 IN SILICONE		28	149642550	DRIP TRAY TYPE SEB BLACK	
		<b>UP TO S/N. 20001067724</b>		29	226551850	BLACK PRESS.FILTERH.BRASS	
		<b>FROM S/N. 20001067725</b>				<b>SEE COD. EXPL. E90005</b>	
10	142841150	VALVE COVER BLACK SUPERAUT D=19,5		30	186015050	G.SWITCH BLA. CAS. UL/CSA B23FD111	100-120V
11	145841350	LIP SEAL			186014400	COFF.SWITCH BLACK CASING B23F111000E0W	230V
12	NE01.039	CABLE SCHUKO HO5 BLACK		31	147800150	TAMPER BLACK ( MALE + FEMALE )	
	183501000	POWER CABLE CH BLACK L=1600MM	DX 30 H331	32	146680150	BLACK COFFEE MEASURE	
	183920250	P.CABLE HPN 3COND.UL/CSA L=2000MM		33	224650321	1 CUP FILTER DE.60 + JACOBS NOTCHE	
	183920150	P.CABLE USA/UL BLACK L=1600MM		34	226550250	BRASS FILTERH. COMPL. BLACK	
	183506000	POWER CABLE JAPPON BLACK L=1600MM				<b>SEE COD. EXPL. E90002</b>	
	183990650	BLACK POWER CABLE TAIWAN HVCTF L=1600MM		35	148341063	NYLON WASHER DI=8 DE=12 LOWER INSU	
	183980250	POWER CABLE JAPPON VCTF BLACK L=1600MM		36	147700200	LOADING PUMP DIAMETER 17 MM	COSTCO
13	126763218	WAT. VAL.PISTON SPRING TEFAL CALOR		37	177763500	LOW.POLYST.PROTECT.GRANCREMA BOX	
	126764718	SPRING FOR WATER CONTAINER VALVE					
		<b>FROM S/N. 20001067725</b>					
14	147660301	PISTON FOR WATER VALVE BROWN					
	147660562	GREY WATER VALVE CONTAINER PISTON					
		<b>FROM S/N. 20001067725</b>					
15	186801400	3 WAY JUNCT.BLOCK PA 27/3 + SYMBOLS					
16	188601000	CABLE RETAINER BLACK					
	188600850	CABLE RETAIN.POWER CABLE FLAT TYPE					
	148600600	CABLE CLAMP V0 MAGIC ESP COMBI UL					
17	129516803	SCREW TCB3,5X19 DIN 7981 NICK					
18	125893521	STEEL INSERT BASE WEIGHTS GRCREMA					
19	165922700	INST.BOOK. SAECO GRAN CREMA					
	165923200	INST.BOOK. GRINDMAS.ESPRESSIMO 110					

**Saeco**®

GRAN CREMA

Rev. 06 - 11/12/08

TAVOLA 1/2



**Saeco**® SIN 010



Cod. 7184

POS	CODE	DESCRIPTION	NOTE
01	289200100	THERMAL. PROTECT.120°C CABL.121/121	
02	12000140	ULKA PUMP EP5/S GW	230V-50HZ
	12000142	ULKA PUMP EAP5/S	120V-60HZ
	12000130	ULKA PUMP EP5/S GW	100V-50/60HZ
03	149181550	PUMP SUPPORT TYPE ULKA	
04	140321961	OR 2031 IN TERMOIL	
05	11001480	TEA/B.CONN.90°1/8"GAS CYL.15,8X17MM ULKA	
06	11008877	TEA/BRASS INNER TUBE BUSH ( DE4XD13X10)	
07	123460120	BRASS NUT 1/8"GAS FOR TEFLON TUBE D=6	
08	121800420	OGIVE BUSH 6 ( DE=8,4 DI =6,2 L=7	
09	149400100	TEFLON TUBE 4X6 IN ROLL	
10	127530907	TROPICALIZED MOUNTING PLA. IDEA	
11	183401062	CABLE 1 WIRE SILIC.BLACK TH/FUSE 152°	100-120V
	183401400	CABLE 4WIRES SILIC.BLUE TH/FUSE 152°	230V
12	149360200	SILICONE TUBE 5X8 70SR IN ROLL	
13	123452000	NUT M 12 X1,25 H= 4,5	
14	128311204	WASHER UNI 8842 A12 BURN.	
15	126833921	RESSORT THERMOSTATIQUE	
16	189422000	THERMOSTAT 95° 1NT-01L-0036	
17	189425100	THERMOSTAT 127° 1NT-01L-0499	
18	122902121	UPPER BOILER CASING + BRACKETS W/O VAPIS	
19	140320762	OR 108 IN SILICONE	
20	127960903	TEA/BRASS STRAIGHT FITTING FOR SS.BOILER	
21	188150158	HEAT ELEMENT+TEA/BRASS TERMINAL	230V-900W
	188150154	HEAT ELEMENT+TEA/BRASS TERMINAL	100V-900W
	188150151	HEAT ELEMENT+TEA/BRASS TERMINAL	120V-900W
22	129310920	TEA/BRASS INTERNAL TUBE FOR SS BOILER	
23	123160502	NUT M5 HIGH UNI 5587-68 GALVANIZED	
24	129519003	SCREW TCB4,8X9,5 DIN 7981 NICK	
25	140322962	OR 176 IN SILICONE	
26	222891400	SS.LOWER BOILER CASING + BRASS/TEA HUB	
27	11009669	TEA/BRASS FAUC.D12 W/S.VALVE SS BOIL.ASS	
28	140323062	OR 2043 IN SILICONE	
29	129680802	SCREW WITH WASHER TE M5X20 GALVANIZ	
30	11002129	ST.STEEL STEAM TUBE 100° AROMA ASSY.	
	129374208	STEAM TUBE 115 DIAM +CHR. BUSH PA	GRINDM. POD 1100
	NM01.021	OR 2050 SILICONE	
32	123390109	TEA/BRASS NUT 1/8 GAS H=6 CH=14	
33	123450408	TEA/BRASS LOCK.NUT STEAM TUBE + BUSH	
34	147430150	PANNARELLO AS. BLACK PLASTIC	
35	147712250	KNOB , BLACK FOR SEB GRAN CAFò	

POS	CODE	DESCRIPTION	NOTE
36	120460204	RAPID CONNECTOR D=10,6 H=5 SP=1	
37	120642620	BR. FAUCET SHAFT L= 52 MM SEAL + P	
		<b>UP TO S/N. 991040677</b>	
	11001533	TEA/BRAS.FAUCET SHAFT L=50MM SEAL+PIST.	
		<b>FROM S/N. 991040678</b>	
38	140321861	OR 2025 IN EPDM	
39	11003980	TEFLON SEAL D=6 FOR PISTON	
40	11001485	NIKELED PISTON L=21	
41	149450588	65SH SILICONE BOILER SEALING VALVE	
42	126761518	SPRING FOR BOILER VALVE	
43	11001196	VIS DE VALVE CHAUDIERE	
	11001504	TEA/BRAS.VALVE HOLDING SCREW FOR BOILER	
44	145841500	FILTERHOLD SEAL	
45	123741421	PERCOLATOR DE =48,8 SS BOILER JACOBS	
	123740221	PERCOLATOR DE=48,8 DI=4,5	
	129854021	TSP SCREW M4X8 UNI 7688 SS	
	129931421	ROUND HEAD SCREW D=8 M4X6 SS	
47	220290300	POLISHED FILTERHOLDER LOCKING RING ASSY.	
	220300100	FILTERH.RETAIN.RING S/SCR.WITH LOCK	COSTCO
	220300300	FILTERH.RETAIN.RING S/SCR.WITH NICK	JAPAN
48	123300102	NUT M5 THIN UNI 5590-65 GALVANIZE	
49	282053458	SS GEN.BOIL.ASS.230V SEB FIXED TUBE	
	282053451	SS GEN.BOIL.ASS.120V SEB FIXED TUBE	
	282055551	SS GEN BOIL. AS.120V (GRINDM.1100)	
	282117655	SS BOIL. AS. 120V(GRIND.POD )	
	282132655	SS.GEN.BOILER AS.120V BENT TUBE 90°	COSTCO
50	148341163	NYLON WASHER DI=5,2 DE=12 UPPER I	
51	129931802	SCREW UNI 9707 PZ-TA 5X16 GALV. Y	
52	129376208	CHROMED STEAM TUBE PANNAR/CAPPUCIN.AS.	COSTCO
53	140324461	OR ORM 0060-20 IN TERMOIL	COSTCO
54	142270650	BLACK TUBE FOR CAPP/PANAR.W/OUT 2 OR	COSTCO
55	140324761	OR METRIC 0050-20 IN TERMOIL	COSTCO
56	227430550	PANNARELLO AS. BLACK 90 DEGREES	COSTCO
57	11003294	STEEL SEALING BUSH FOR EP5/S PUMP	
58	145920563	BLACK STEAM TUBE HANDGRIP GRAN CREMA	

**Saeco**®

GRAN CREMA

Rev. 06 - 11/12/08

TAVOLA 2/2