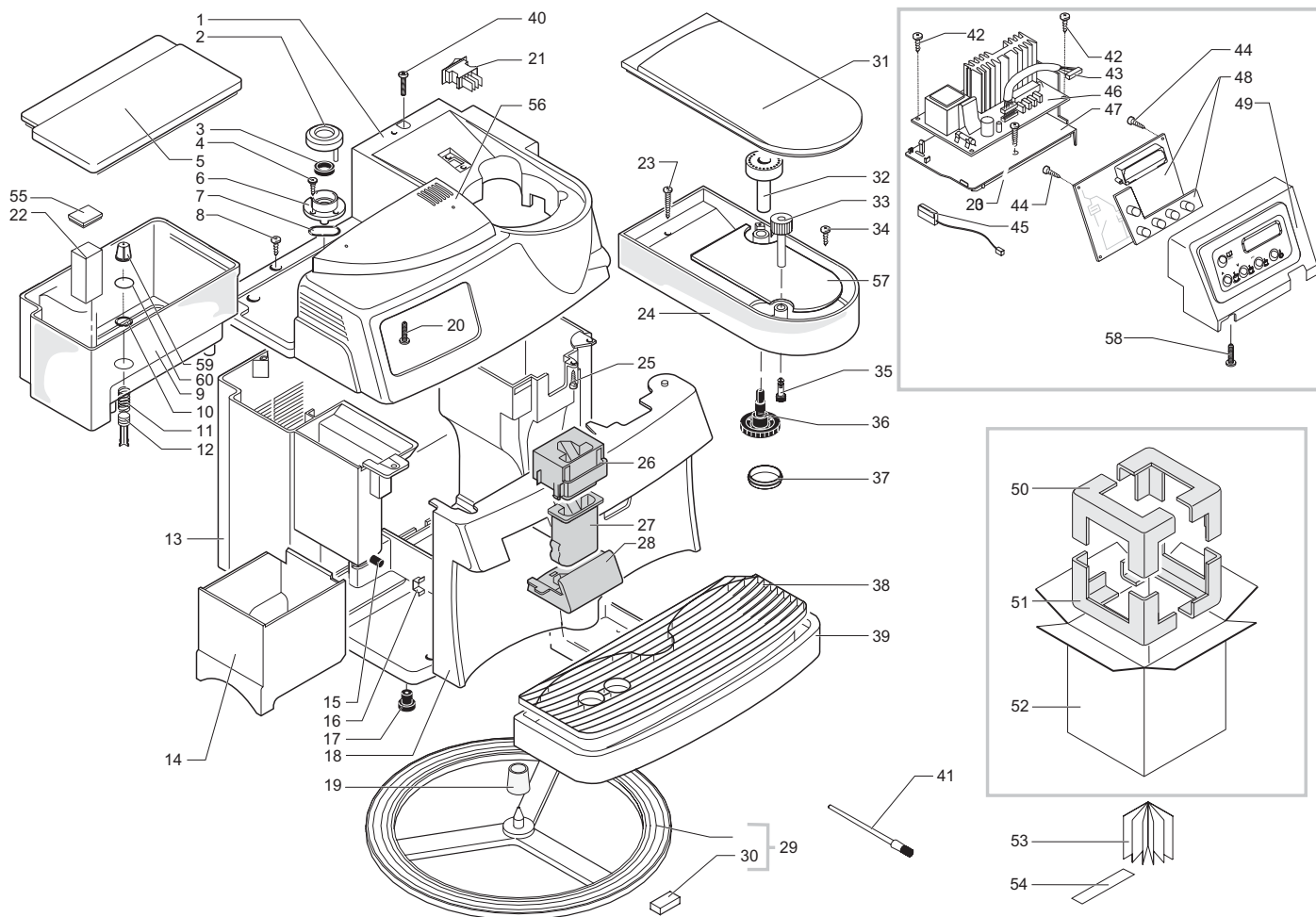


Saeco SUP 018 CDR
INTERNATIONAL GROUP

Cod. 741442-47-56-67

POS	CODICE	DESCRIZIONE	NOTE	POS	CODICE	DESCRIZIONE	NOTE
01	222820341	SILVER COVER M5000-COMTESSE		26	0311.022.380	METAL/BLACK FIXED DISPENSING CHANNEL	
	222820358	MISTRAL/GREY COVER M5000 COMTESSE		27	0311.011.380	METAL/BLACK MOBILE DISPENSING CHANNEL	
	222820375	ZIRCON COVER M5000-COMTESSE		28	0311.012.820	DISPENSER SUPPORT MISTRAL GREY	
02	0701.031.150	SEAL COVER GREY		29	0311.012.380	DISPENSING SUPPORT METALLIZAT.BLACK	
03	145842900	WATER CONTAIN.VALVE SEAL GACO DIM14		30	220380159	ROTATING RING ASS.GREY/BLACK FEET	CON PART. N°30
04	129535721	SCREW TSP3,5X9,5 DIN 7982 SS		31	147622150	BLACK FOOT FOR REVOLVING RING	
05	0324.005.820	WATER CONT.LID M5000-COMT.MIST/GREY			0324.004.820	COFFE.CONT.LID M5000-COMT.MIST/GREY	
	0324.005.250.A	WATER CONT.LID M5000-COMTES.ZIRCON			0324.004.250.A	COFFEE CONT.LID M5000-COMTES.ZIRCON	
	0324.005.580	WATER CONT.LID M5000-COMTES.SILVER			0324.004.580	COFFEE CONT.LID M5000-COMTES.SILVER	
	0324.005.380	WATER CONT.LID M5000-COMT.MET.BLACK			0324.004.380	COFFE.CONT.LID M5000-COMT.MET.BLACK	
06	0701.014.150	SEAL CONTAINER GREY		32	9141.051.490	GRINDING ADJUSTMENT KNOB	
07	0312.022	SEAL FOR VALVE CONTAINER		33	147715659	COFFEE DOSE ADJUST. KNOB M5000	
08	U143.007	screw TORX TCB 2,9X19 SS BUR		34	U109.029	SCREW AUT.TCB 3,5X32 DIN 7981 C	
09	222694180	WATER CONTAINER AS.M5000 DIG.T/GREY		35	146001850	COFFEE DOSE ADJ.GEAR BLACK M5000	
	222700680	WATER CONTAINER AS.M5000 TRANSP/GREY		36	146000850	GEAR COFF. GRIND. ADJUSTMENT COMBI	
10	140324362	OR METRIC 0060-30 IN SILICONE		37	9161.270	SEAL FOR COFFEE CONTAINER	
11	126764718	SPRING FOR WATER CONTAINER VALVE		38	0311.010.380	GRATE M5000 METALIZED BLACK	
12	147660562	GREY WATER VALVE CONTAINER PISTON		39	0311.005.820	MISTRAL GREY DRIP TRAY M5000	
13	222480858	CASING AS.M5000-DIG.+FEET MIST/GREY	WITH PART. N°15-17-19		0311.005.250.A	ZIRCON DRIP TRAY M5000	
	222480875	CASING ASS.M5000-DIG.+ FEET ZIRCON	WITH PART. N°15-17-19		0311.005.580	SILVER DRIP TRAY M5000	
	222480841	CASING ASS.M5000-DIG.+ FEET SILVER	WITH PART. N°15-17-19		0311.005.380	METAL/BLACK DRIP TRAY M5000	
14	0311.004.820	MISTRAL/GREY GROUNDS CONTAINER M5000			229631288	DRIP TRAY M5000 CHROMED	
	0311.004.250.A	ZIRCON GROUNDS CONTAINER M5000		40	U140.009	PANELVIT TCB 3,0X16 DIN 7505 B GAL	
	0311.004.580	SILVER GROUNDS CONTAINER M5000		41	127390100	BRUSH FOR CLEANING	
15	9991.105	MAGNET D.9MM		42	U140.004	PANELVIT TCB 3,0X12 DIN 7505 B GAL	
16	0311.020	BRACKET FOR DOOR CLOSURE		43	282000700	CON.AS.13P.13KRKR-6SL100IE W/SHEATH	
17	147622850	BLACK FOOT		44	129660302	PANELVIT TCB SCREW 3X10 DIN 7505 Z	
18	228993258	DOOR M5000 MIST.GREY S/SCR.CAF.NOVA		45	0301.811	CONNECTOR ASS. 2 POLE LEVEL	
	228993275	DOOR M5000 ZIRCON S/SCREEN CAF.NOVA			0317.829	CONN. ASS. 2 POLE LEVEL UL	
	228993158	DOOR M5000 M/GREY S/SCRE.VIENNA DIG		46	181558958	POWER TERM.BOARD M5000 DIGIT/SV.230	WITH ALUM. BOILER
	228994186	DOOR M5000 CHROM.S/SCR.CAF.NOVA L.E			181558955	POWER TERM.BOARD M5000 DIGIT/SV.120	WITH ALUM. BOILER
	228993241	DOOR M5000 SILVER S/SCREEN CAF.NOVA			181555258	POWER ELEC.BOARD M5000 DIGIT/RS.230	WITH AL.BO.WITH RES.
	228995441	DOOR M5000 SILVER S/SC.NOVA ACCENTO			181555255	POWER ELEC.BOARD M5000 DIGIT/RS.120	WITH AL.BO.WITH RES.
19	145894700	ROTATING RING RETAINING INSERT		47	149193350	BLACK ELET.CARD POWER SUPPORT M5000 DIG	
20	129670202	PANE. TCB SCREW 3,5X16 TESTA D=8 Z		48	281561800	TOUCH PANEL EL.BOARD M5000VIEN.D.SV	WITH ALUM. BOILER
21	NE03.028	MOLVENO SWITCH B1031C1181000			281564500	TOUCH PANEL EL.BOARD M5000VIEN.D.SV	WITH AL.BO.WITH RES.
22	9161.112.150	LEVEL FLOAT GREY		49	224883558	FRO.PAN.AS.M5000-VIEN.DIG.SV.M/GREY	
23	129517103	SCREW TCB3,5X38,1 DIN 7981 GALV			224883575	FRO.PAN.AS.M5000-VIEN.DIG.SV.ZIRCON	
24	142713680	BEAN COFFEE CONTAINER GREY			224883541	FRO.PAN.AS.M5000-VIEN.DIG.SV.SILVER	
	142713780	BEAN CONT. W/SLOTS W/ DOS REG. S50		50	13000030	UPPER INSERT POLYSTIR.BOX M5000	
25	129660902	PANELVIT TCB SCREW 3,5X12 D.7505 Z		51	13000031	LOWER INSERT POLYSTIR.BOX M5000	

Saeco SUP 018 CDR
INTERNATIONAL GROUP

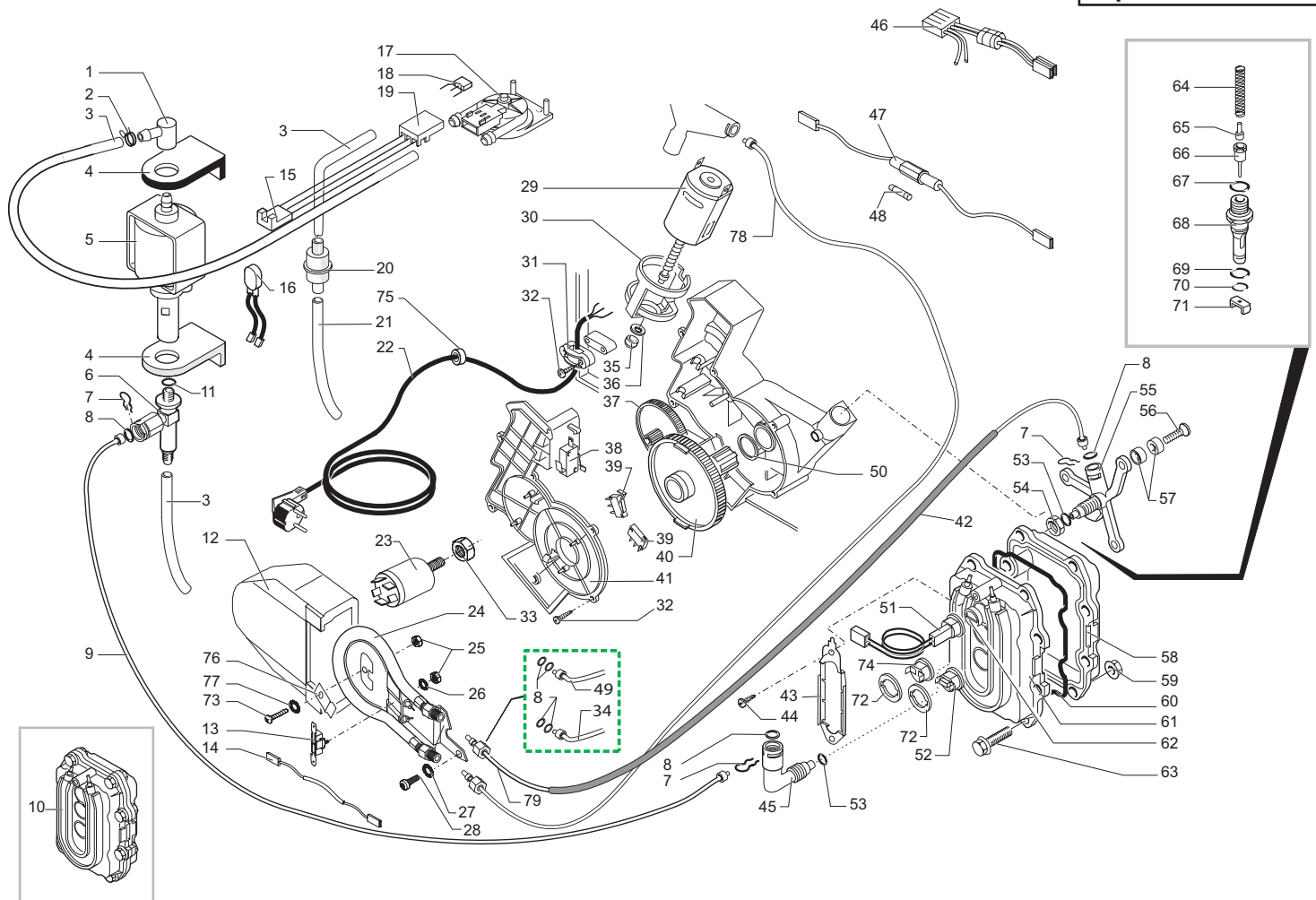


Saeco SUP 018 CDR
INTERNATIONAL GROUP

CE Cod. 741442-47-56-67

POS	CODICE	DESCRIZIONE	NOTE	POS	CODICE	DESCRIZIONE	NOTE
52	178505100	DISPLAY BOX SAECO M5000 CAFE'					
	178505000	DISPLAY BOX SAECO M5000 VIENNA					
53	165937800	INSTR.MANUAL NEUTRAL TYP SUP 018DR					
54	0301.961	WATER HARDNESS TEST					
55	9161.050.230	CAP FOR FLOAT SUPERAUTOM.					
56	0324.007.820	SUPPLEM.LID M5000-COMT.MISTRAL GREY					
	0324.007.250.A	SUPPLEMEN.LID M5000-COMTESSE ZIRCON					
	0324.007.580	SUPPLEMEN.LID M5000-COMTESSE SILVER					
57	147755280	BEAN CONT. PROT. + DOS ADJUST S500					
58	129533202	SCREW TSPTORX T10 3,5X9,5 D7982 NI					
59	224640200	EXTERNAL FILTER FOR WATER CONTAINER ASSY	WITH PART. N°60				
60	140328461	EPDM OR METRIC 0190-10					

Saeco SUP 018 CDR
INTERNATIONAL GROUP



Saeco SUP 018 CDR
INTERNATIONAL GROUP

ALUMINUM BOILER
UP TO S/N. 9004SA40016419



Cod. 741442-47-56-67

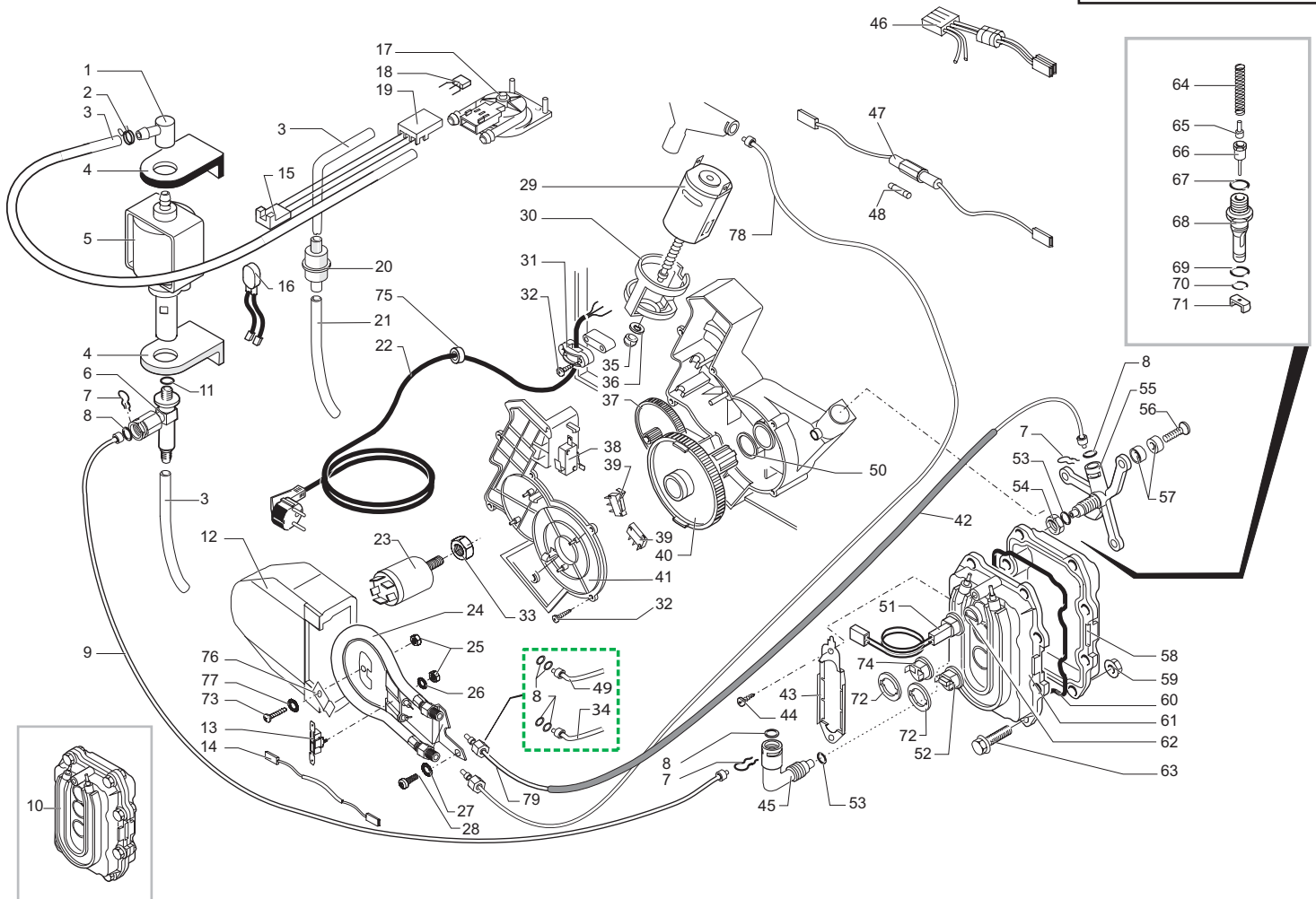
POS	CODICE	DESCRIZIONE	NOTE	POS	CODICE	DESCRIZIONE	NOTE
01	147920150	90°CONNECTOR PUMP INLET		27	128310504	WASHER UNI 8842 A5 BURN.	
02	184320200	SPRING HOSE CLAMP D=9,5MM		28	129575902	SCREW TAPT M5X16 DIN 7985 ZNP	
03	149360200	SILICONE TUBE 5X8 70SR IN ROLL		29	286891358	GEN.MOTOR FOR RATIOMOTOR M/S 5000 ASSY.	
04	149185850	EATON PUMP SUPPORT MAGIC 4002012		286891355	286891355	GEN.MOTOR FOR RATIOMOTOR M/S5000 UL ASSY	
05	12000140	ULKA PUMP EP5/S GW 230V-50HZ		30	9121.044	ANTIVIBRATION FOR MOTOR	
	12000131	ULKA PUMP EP5/S 120V-60HZ		31	148600600	CABLE CLAMP V0 MAGIC ESP COMBI UL	
06	229451300	PUMP SAFETY VALVE D=8 ULKA PUMP		32	129670202	PANE. TCB SCREW 3,5X16 TESTA D=8 Z	
07	9011.144	FORK FOR TUBE D.4		33	123453602	FLANGE NUT M8 TOOTHED BASE GALV.	
08	140328059	OR 2015 IN SILICONE PTFE/FDA		34	227872600	TEFLON TUBE 2X4 L=275 MM ASSY	
09	227871900	CONNECTOR AS. TEFLON 2X4 L=250 MM		35	9121.046	SINTERED BUSH FOR MOTOR	
10	282058158	AN/ALU.BOIL.AS.230V M5000 V2.1/F SP	WITH PART. N°58-61	36	148380200	WASHER BAKELIZZATE D=5,5	
	282058155	AN/ALU.BOIL.AS.120V M5000 V2.1/F SP	WITH PART. N°58-61	37	9121.042	GEAR Z.12/90	
11	140321961	OR 2031 IN TERMOIL		38	NE05.042	MICROSWITCH	
12	147755100	HEAT.ELEMENT PROT.BLECKMANN M5000		39	NE05.038	MICROSWITCH	
13	189428300	THERMOSTAT 175° INTERCONTR.161471002		40	9121.068.150	GEAR Z=108 FOR MOUNTING PLATE M5000	
14	183440800	CABLE 1 WIRE SILIC.BLACK THERM/FUSE 229°		41	9161.200.920	TRANSPARENT LID FOR RATIOMOTOR M5000	
	183441062	CABLE 1WIRE SILICON.BLACK AWG18+TH/FUSE		42	149361200	BLACK SILICON TUBE 7,5X9,3 IN ROLL	
15	283542200	3 POLES CONNECTORS TURB.M5000 ASSY.		43	126836517	STEEL SPRING RETAIN.3 THE.BOIL. M5	
16	0311.807	YELLOW HARNESS KLIXON JP 13		44	129575403	SCREW TAPT M5X10 DIN 7500C NICK	
	289201000	THERMAL. PROTECT 120 C CABLE. 125/3		45	127914020	"BRASS 90 DEG FIT.1/8""GAS MASTER	
17	286473300	-M-VDE TURBINE WITH SENSOR KIT	WITH PART. N°18	46		PARTICULAR NOT AVAILABLE	SEE PART. N°26
18		PARTICULAR NOT AVAILABLE	SEE PART. N°17	47	183003662	1 STR+ SIL. CABLE BLUE 510 MM	230V
	9161.018	BRACKET FOR TURBINE		48	183361262	CABLE 1 WIRE SIL.BLUE AWG18 +FUSE.	120V
20	144650300	SUCTION FILTER GAUZE NET 500 (NEW			327002200	FUSE T6,3 AMP.5X20 RETARDED	230V
21	JS01.022	SILICONE TUBE 5X10 60 SHORE IN ROLL		49	184950200	FUSE T15 AMP.DELAYED	120V
22	183910450	POWER CABLE SCHUKO BLACK L=1500			227873100	TEFLON TUBE 2X4 L=420 MM ASSY	
	183930250	POW.CABLE CH BLACK H05+3FAST.L=1500		50	9161.132	MYLAR WASHER FOR RATIOMOTOR	
	183921360	PO.CABLE SJT3C 16AWG USA GREY.5F.L=1700		51	288581958	SENSOR WITH/OUT RESIS.M5000 230V ASSY.	
23	183921350	POW.CABLE SJT3C 16AWG USA BLA.5F.L1700			288581955	SENSOR WITH/OUT RESIS.M5000 120V ASSY.	
	184651100	ANTIDISTURB FILTER 0,47X2+1000Y2+0,5L		52	189428200	THERMOSTAT 175° INT-08L-3794	
	NE13.023	EICHHOFF FILTER 16A		53	140321462	OR 2018 IN SILICONE	
24	286474658	SPARES KIT BLECKMANN M5000	230V	54	123390420	NUT 1/8 GAS H=4.5 CH=13 BRASS	
	286474655	SPARES KIT BLECKMANN M5000	120V	55	9011.126	ALU.BOILER SUPPORT BRASS	
	288140458	HEATING-ELEMENT BLECKMAN ASSY.	230V-1000W	56	U044.017	SCREWSPC M5,0X20 UNI 7688 GALV.	
	288140455	HEATING-ELEMENT BLECKMAN ASSY.	120V-1000W	57	9161.206	INSULATING SPACER FOR BOILER	
		FROM S/N. 9003SA40340776		58		PARTICULAR NOT AVAILABLE	SEE PART. N°10
		FROM S/N. 9003SA40340776		59	123270102	NUT M6 FLANGED TOOTHED BASE GALV	
25	U302.003	NUT HEXAGONAL M4 UNI 5588		60	9011.129	BOILER SEAL	
26	128420102	ELASTIC WASHER UNI 1751 B4 GALV		61		PARTICULAR NOT AVAILABLE	SEE PART. N°10

Saeco SUP 018 CDR
INTERNATIONAL GROUP

ALUMINUM BOILER
UP TO S/N. 9004SA40016419

Rev. 06 - 21/12/06

TAVOLA 2a/4



Saeco SUP 018 CDR
INTERNATIONAL GROUP

ALUMINUM BOILER
UP TO S/N. 9004SA40016419



Cod. 741442-47-56-67

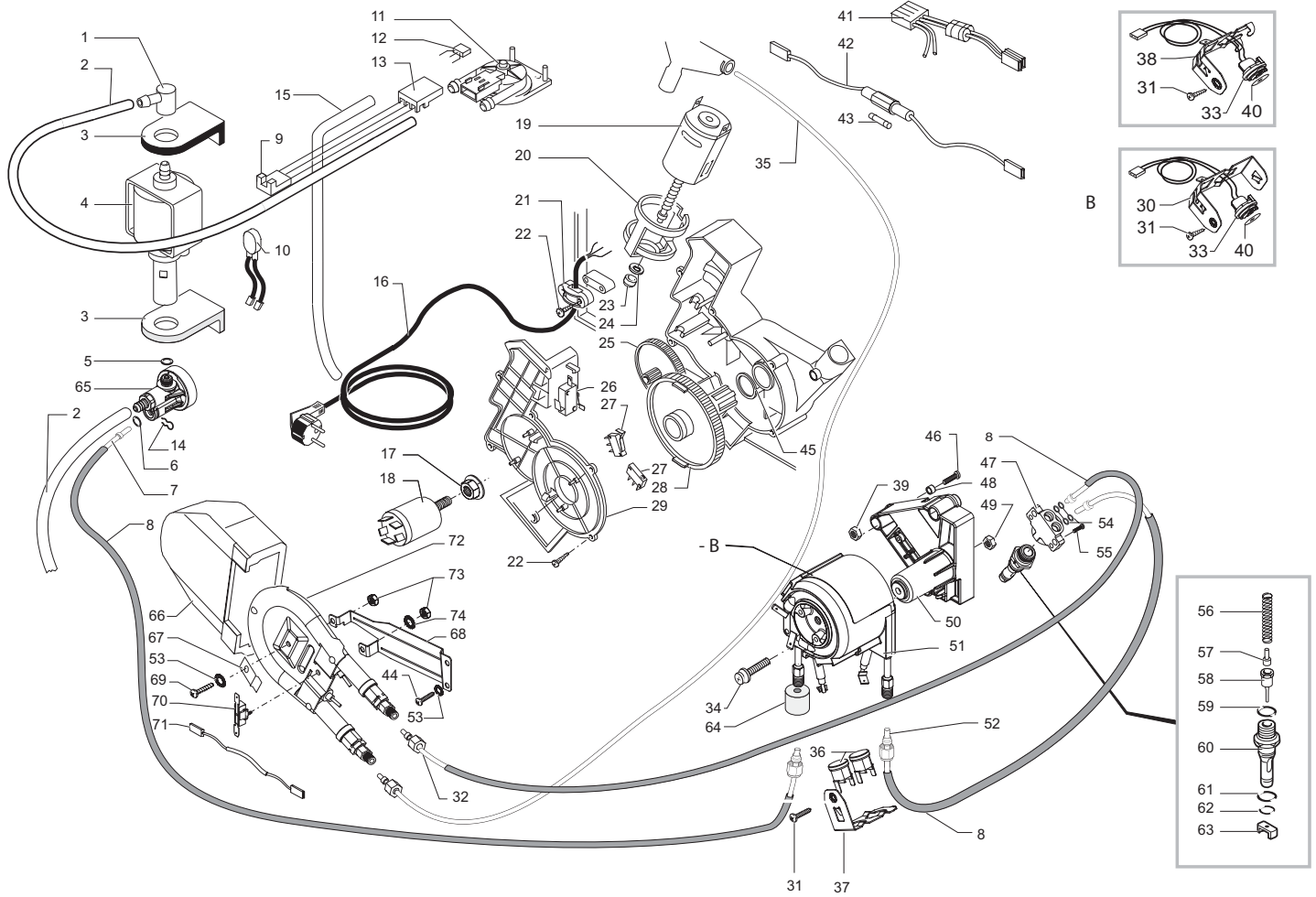
POS	CODICE	DESCRIZIONE	NOTE	POS	CODICE	DESCRIZIONE	NOTE
62	11004424	ALUM.SPACER FOR PHILIPS SENSOR MAGIC					
63	U046.004	SCREW TEFLON M6,0X26 GALV.					
64	9011.132	SPRING FOR PIN					
65	227480203	BRASS/NIK.PIN FOR PISTON L=10					
66	227660103	BRASS PISTON L=20,9 ASSY.					
67	140320462	OR METRICO 0080-20 IN SILICONE					
68	9011.100	PEG FOR VALVE IN PLASTIC					
69	NM01.035	OR ORM 0090-20 SILICONE					
70	NM01.057	OR ORM 0050-20 SILICONE					
71	9011.099	M CURSOR FOR BOILER VALVE IN PLASTIC					
72	9991.085	THERMOSTAT FIXING WASHER					
73	129823802	TCB SCREW M4X8 UNI 7687 ZNP					
74	NE09.021	THERMOSTAT 150°NC FASTON 90°					
75	NL06.002	VOGT TOROID					
76	127535319	THERMAL FUSE FIXING PLATE					
77	128310404	WASHER UNI 8842 A4 BURNISHED					
78	227875600	CONNECTOR AS.TEFLON 2X4 L=420 MM FROM S/N. 9003SA40340776					
79	227875300	CONNECTOR AS.TEFLON 2X4 L=275 MM FROM S/N. 9003SA40340776					
	289434800	GEN.TURB.AS.W/O FILTER UNIFIED M5000					

Saeco SUP 018 CDR
INTERNATIONAL GROUP

ALUMINUM BOILER
UP TO S/N. 9004SA40016419

Rev. 06 - 21/12/06

TAVOLA 2b/4



Saeco SUP 018 CDR
INTERNATIONAL GROUP

ALUM. BOILER WITH RESIST.
FROM S/N. 9004SA40016420



Cod. 741442-47-56-67

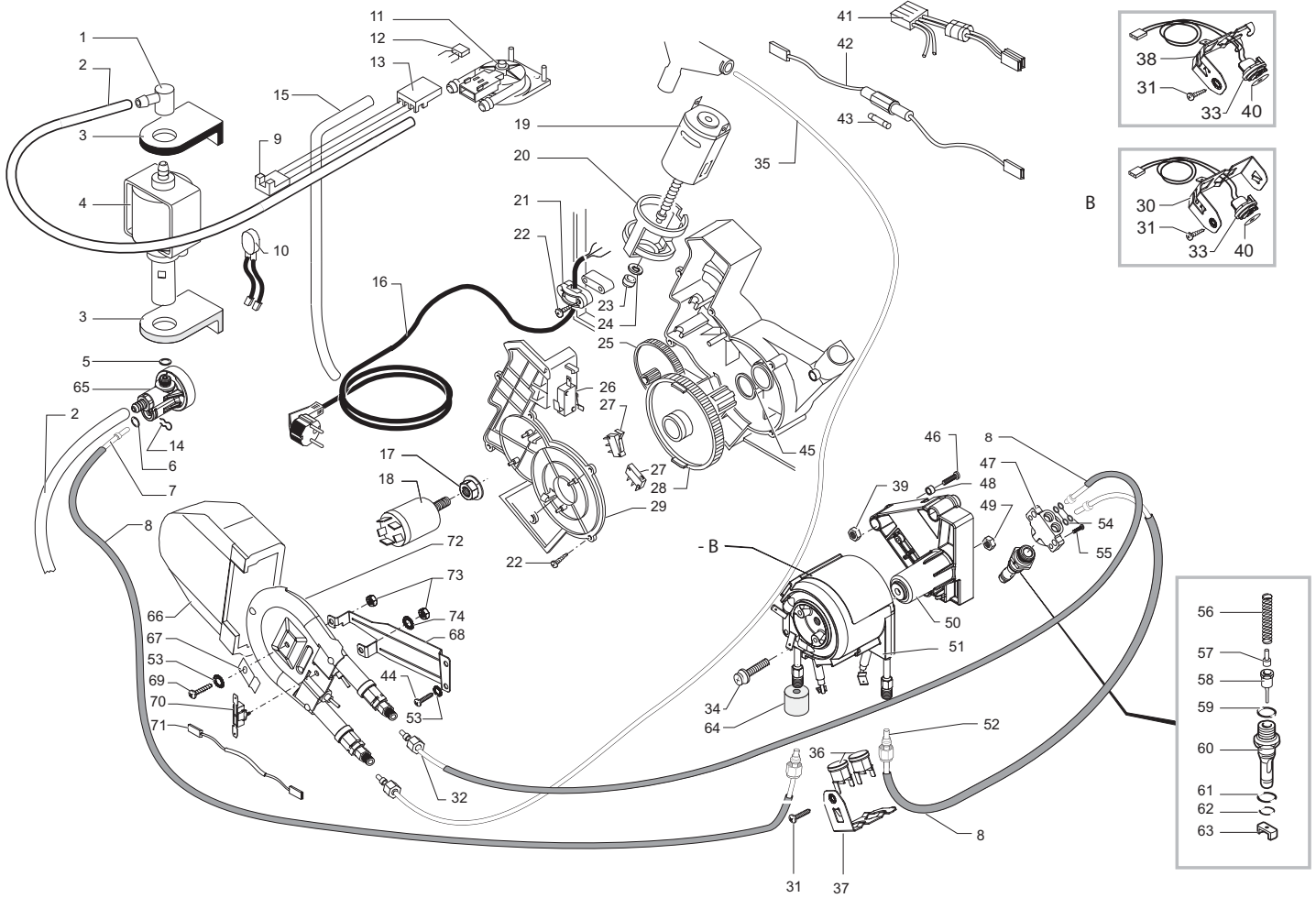
POS	CODICE	DESCRIZIONE	NOTE	POS	CODICE	DESCRIZIONE	NOTE
01	147920150	90°CONNECTOR PUMP INLET		31	129573202	SCREW TCB PH/TT 4X8 UNI 8112 ZNP	
02	149360200	SILICONE TUBE 5X8 70SR IN ROLL		32	227875300	CONNECTOR AS.TEFLON 2X4 L=275 MM	
03	149185850	EATON PUMP SUPPORT MAGIC 4002012		33	288582300	SENSOR ELECT.BOARD WITH CONNECTOR ASSY.	
04	12000140	ULKA PUMP EP5/S GW	230V-50HZ	34	129932202	ROUND HEAD SCREW 10.9 M5X20 GALV	
	12000131	ULKA PUMP EP5/S	120V-60HZ	35	227875600	CONNECTOR AS.TEFLON 2X4 L=420 MM	
05	140321961	OR 2031 IN TERMOIL		36	189428200	THERMOSTAT 175° 1NT-08L-3794	
06	NM02.028	OR 2015 EPDM FDA		37	126838117	2 THERMOSTATS FIXING SPRING	
07	227874900	CONNECTOR AS.TEFLON 2X4 L=250 MM		38	126838217	SENSOR FIXING SPRING	
08	149361200	BLACK SILICON TUBE 7.5X9.3 IN ROLL				FROM S/N. 9004SA40136416	
09	283542200	3 POLES CONNECTORS TURB.M5000 ASSY.		39	U310.003	NUT SELF LOCK.M5 UNI 7473	
10	0311.807	YELLOW HARNESS KLIXON JP 13	230V	40	145951600	ELECTRIC INSULATING DISK D=16	
	289201000	THERMAL. PROTECT 120 C CABLE.125/3	120V			PARTICULAR NOT AVAILABLE	SEE PART. N°19
11	286473300	-M-VDE TURBINE WITH SENSOR KIT	WITH PART. N°12	41			
12		PARTICULAR NOT AVAILABLE	SEE PART. N°11	42	183003662	1 STR+ SIL. CABLE BLUE 510 MM	230V
13	9161.018	BRACKET FOR TURBINE			183361062	CABLE 1 WIRE SIL.BLUE AWG18 + FUSE	120V
14	9011.144	FORK FOR TUBE D.4		43	327002200	FUSE T6.3 AMP.5X20 RETARDED	230V
15	JS01.022	SILICONE TUBE 5X10 60 SHORE IN ROLL			184950200	FUSE T15 AMP.DELAYED	120V
16	183910450	POWER CABLE SCHUKO BLACK L=1500		44	129573402	SCREW TAPT M4X10 DIN 7985 GALV	
	183930250	POW.CABLE CH BLACK H05+3FAST.L=1500		45	9161.132	MYLAR WASHER FOR RATIOMOTOR	
	183921360	PO.CABLE SJT3C 16AWG USA GREY.5F.L=1700		46	U044.020	SCREW TSP M5.0X30 UNI 7688 GALV.	
	183940250	BLACK POWER CABLE AUSTR.H05+FAST.L=1500				UP TO S/N. 9005SA40278596	
	183922060	POWER CABLE SJT3C USA GREY 5F.L1590		129932502		GALVANIZDE SELF DRILLING SCREW 5X30	
	183980550	POWER CABLE JAPPON VCTF BLACK L=1590 MM				FROM S/N. 9005SA40278597	
	183922050	POWER CABLE SJT3C USA BLAC.5F.L1590		47	147922700	BOILER SUPPORT CONNECTOR	
	183911150	BLACK POWER CABLE SCHUKO 3FL=1750		48	9161.206	INSULATING SPACER FOR BOILER	
17	123453602	FLANGE NUT M8 TOOTHED BASE GALV.		49	123453902	SELF-LOCKI.NUT M5X0.8 DIN 980 CLA.8	
18	184651100	ANTIDISTURB FILTER 0,47X2+1000Y2+0,5L	230V	50	20000203	SPARES KIT SUPPORT BOILER M5000	
	184651500	ANTIDISTURB FILTER 16A FNC 1610474472A	120V			UP TO S/N. 9005SA40278596	
19	11003032	GENERAL MOTOR FOR RATIOMOTOR M5000 ASSY.	WITH PART. N°20-41	149197900		SUPPORT FOR ALLUMINIUM BOILER	
20	9121.044	ANTIVIBRATION FOR MOTOR				FROM S/N. 9005SA40278597	
21	148600600	CABLE CLAMP V0 MAGIC ESP COMBI UL		51	282058858	ALUM.BOILER WITH RESISTANCE	230V-1100W
22	129670202	PANE. TCB SCREW 3,5X16 TESTA D=8 Z			282058855	ALUM.BOILER WITH RESISTANCE	120V-275W
23	9121.046	SINTERED BUSH FOR MOTOR		52	227876800	CONNECTOR TEFLON 2X4 L=235 MM ASSY.	
24	148380200	WASHER BAKELIZZATE D=5,5		53	128310404	WASHER UNI 8842 A4 BURNISHED	
25	9121.042	GEAR Z.12/90		54	140328059	OR 2015 IN SILICONE PTFE/FDA	
26	NE05.042	MICROSWITCH		55	129910103	HI -LO TC SCREW 3,5X15 RIF.910189	
27	NE05.038	MICROSWITCH		56	9011.132	SPRING FOR PIN	
28	9121.068.150	GEAR Z=108 FOR MOUNTING PLATE M5000		57	227480203	BRASS/NIK.PIN FOR PISTON L=10	
29	9161.200.920	TRANSPARENT LID FOR RATIOMOTOR M5000		58	227660103	BRASS PISTON L=20,9 ASSY.	
30	126838017	SENSOR FIXING SPRING		59	140320459	OR METRICO 0080-20 SILICON.PTFE/FDA	
		UP TO S/N. 9004SA40136415		60	9011.100	PEG FOR VALVE IN PLASTIC	

Saeco SUP 018 CDR
INTERNATIONAL GROUP

ALUM. BOILER WITH RESIST.
FROM S/N. 9004SA40016420

Rev. 01 - 21/12/06

TAVOLA 3a/4



Saeco SUP 018 CDR
INTERNATIONAL GROUP

ALUM. BOILER WITH RESIST.
FROM S/N. 9004SA40016420



Cod. 741442-47-56-67

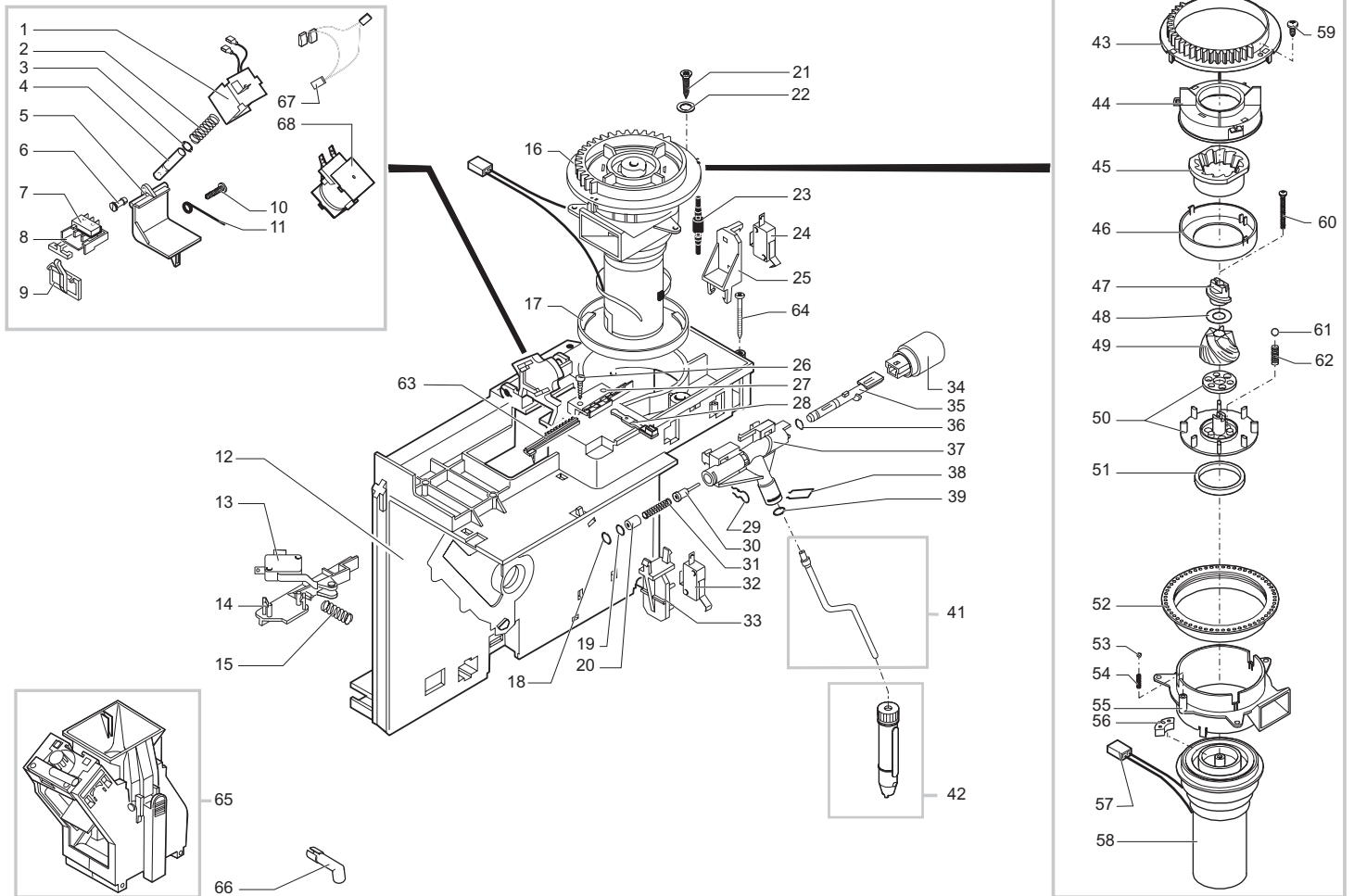
POS	CODICE	DESCRIZIONE	NOTE	POS	CODICE	DESCRIZIONE	NOTE
61	NM01.035	OR ORM 0090-20 SILICONE					
62	NM01.057	OR ORM 0050-20 SILICONE					
63	9011.099	M CURSOR FOR BOILER VALVE IN PLASTIC					
64	147756562	PROTECTION FOR FOLK SPRING TUBE D=4					
65	229452100	COMPENSATION AND SAFETY VALVE 16BAR ASSY					
66	147755100	HEAT.ELEMENT PROT.BLECKMANN M5000					
67	127535319	THERMAL FUSE FIXING PLATE					
68	129024802	GALV.BRACKET BOILER M5000 SUPPORT					
69	129823802	TCB SCREW M4X8 UNI 7687 ZNP					
70	189428300	THERMOSTAT 175° INTERCONTR.161471002					
71	183440800	CABLE 1 WIRE SILIC.BLACK THERM/FUSE 229°					
72	288140458	HEATING-ELEMENT BLECKMAN ASSY.	230V-1000W				
	288140455	HEATING-ELEMENT BLECKMAN ASSY.	120V-1000W				
73	U302.003	NUT HEXAGONAL M4 UNI 5588					
74	128420102	ELASTIC WASHER UNI 1751 B4 GALV					
	289434800	GEN.TURB.AS.W/O FILTER UNIFIED M5000					
	282135358	ALUM.BOILER 230V AS.WITH RESISTANCE					
	282135355	ALUM.BOILER 120V AS.WITH RESISTANCE					

Saeco SUP 018 CDR
INTERNATIONAL GROUP

ALUM. BOILER WITH RESIST.
FROM S/N. 9004SA40016420

Rev. 01 - 21/12/06

TAVOLA 3b/4



Saeco SUP 018 CDR
INTERNATIONAL GROUP

Cod. 741442-47-56-67

POS	CODICE	DESCRIZIONE	NOTE
01	9129.A07.00A	COFFEE DOSER COIL ASS. FROM S/N. 20024065687	230V
	283770755	V2 COFFEE DOSER COIL ASS.	120V
02	126764818	SPRING ELECTROM.BEAN DOSER MAGIC	
03	U701.003	SNAP RING 7 UNI 7434	
04	9161.041	DOSER ELECTROMAGNET CORE	
05	9161.074.150	DOSER DOOR GREY	
06	9161.076.150	DOSER DOOR PIN GREY	
07	NE05.017	MICROSWITCH	
08	149185959	BEAN DOSER MICRO SUPORT MAGIC	
09	148700559	COFFEE DOSER DOSE ADJ. SEL. GR MAG	
10	U140.004	PANELVIT TCB 3,0X12 DIN 7505 B GAL	
11	9161.048	SCRAPER ROD	
12	9161.249.150	MOUNTING PLATE ASSEMBL.GREY	
13	186724100	MICROSWITCH SAIA X3M302K2KAM92AU	
14	9161.202.150	COMPENSATOR FOR GROUND MICRO	
15	9161.221	SPRING GROUND.MICROSUPP.COMPENSA	
16	286883758	GENER.MOTOR AS. M5000 (STD/V2)	230V
	286883755	GENER.MOTOR AS. M5000 (STD/V2)	120V
17	9141.052	COFFEEGRINDER REINFORCING RING	
18	140328161	OR D=3,85 X 1,90 IN EPDM	
19	NM02.028	OR 2015 EPDM FDA	
20	9991.112	BUSH FOR FAUCET	
21	129670202	PANE. TCB SCREW 3,5X16 TESTA D=8 Z	
22	U207.004	PLAIN WASHER 4,3X16 UNI 6592 GAL	
23	9991.103	ANTIVIBRATION FOR COFFEEGRINDER	
24	NE05.043	MICROSWITCH	
25	9161.207.150	SUPPORT FOR FAUCET MICRO	
26	129660902	PANELVIT TCB SCREW 3,5X12 D.7505 Z	
27	147571850	BLACK LEVER FIXING PLATE + DOSE ADJUSTM.	
28	9161.112.150	LEVEL FLOAT GREY	
29	9011.144	FORK FOR TUBE D.4	
30	227660103	BRASS PISTON L=20,9 ASSY.	
31	126765317	STEEL SPRING BOIL. PISTON MAG.9011	
32	186723600	MICROSWITCH SAIA X3M502K2KAM92AS	
33	9161.208.150	SUPPORT FOR DOOR MICRO	
34	227720953	STEAM KNOB M5000 MET BLACK S/SCREE	
35	9161.205	STEAM TAP SHAFT	
36	140328561	OR D=4,18 X 1,90 IN TERMOIL	
37	9161.204.G	STEAM FAUCET	
38	126764018	SPRING D=1STEAM TUBE HOLDER JUN.	

POS	CODICE	DESCRIZIONE	NOTE
39	140324461	OR METRIC 0060-20 IN TERMOIL	
40	129661502	SCREW PANELVIT TCB 3X38 DIN 7505 ZN	
41	229380908	CHROMED STEAM TUBE AS.L=125,88 S5000	
42	147430150	PANNARELLO AS. BLACK PLASTIC	
43	148650250	SECTOR GEARGRIND ADJUSTMENT KNOB COMBI	
44	149186150	BLACK UPPER GRINDER SUPPORT MAGIC	
45		PARTICULAR NOT AVAILABLE	SEE PART. N°49
46	142844550	UPPER GRINDER COVER COFFEE GRIND. MAGIC	
47	147470763	INCREASE SCREW PIN COFFEE GRINDER MAGIC	
48	U201.002	PLAIN WASHER 10X16X0,2DIN 988 GAL	
49	226473500	KIT TECNICA GRINDERS	WITH PART. N°45
50	149188750	CONICAL GRIND. SUPP. + RING MAGIC	
51	140360200	FELT RING 40X34X5	
52	146570950	RING NUT FOR GRINDING ADJUSTMENT MAGIC	
53	128610421	STAIL.STELL AISI 304 SPHERE D=3,2MM	
54	126770117	NEW SPRING SPHERE D=3,2 MOTOR MAGIC	
55	149186350	GRINDER MOTOR SUP.BLACK MAGIC	
56	140230400	SHOCK ABS .CONICAL GRINDER SUPP.MAGIC	
57	283544900	2POLES CONN.AS.COF.GRIND.JP1 33MH CA	230V
	283542600	2 P.CONN.AS. COFF.GRIND.JP1 CA	120V
58	286851858	MOTOR AS. NEW MAGIC DE LUXE	230V
	286851855	MOTOR AS. NEW MAGIC DE LUXE	120V
59	129511803	SCREW TCB 2,9X6,4 DIN 7981 NICK	
60	129931002	TORX SCREW T10 TCB 3,5X40 SX ZNG	
61	128610521	STAIL.STEEL AISI 304 SPHERE D=5,5MM	
62	126765517	STEEL SPRING SPHERE D=5,5 MOTOR MAGIC	
63	148740450	TOOTHED SLIDE FOR DOSE ADJUST GEAR	
64	11004181	BLACK BREW UNIT NEW M5000	
		SEE EXPL. COD. E90050	
		NOTE: FOR SINGLE PART. OF THE OLD GROUP	
		COFFEE' GREY	
		SEE EXPL. COD. E90026	
65	0311.023.150	SLEEVE FOR DISPENSER	
66	9129.A23.00A	WHOLE COIL M5000/S5000 230V	
		FROM S/N. 20024065688	
67	289202800	THERMAL PROTECTOR 100°C CAB.145/280	
		FROM S/N. 20024065688	

Saeco SUP 018 CDR
INTERNATIONAL GROUP