

Service Service Service



Philips Consumer Lifestyle

Service Manual

PRODUCT INFORMATION

- This product meets the requirements regarding interference suppression on radio and TV.
- After the product has been repaired, it should function properly and has to meet the safety requirements as officially laid down at this moment.

TECHNICAL INFORMATION

- Color : Oyster Metallic
- Adapter AC / DC : 100 - 240 Vac / 15 V DC - 5.4 W
- Rechargeable batteries : 14 x NiMH
- Run time handheld : 12 min.
- Runtime incl. stick : 11 min. at high setting, 17 min. at low setting
- Charging time : 7 hours
- Suction power : >16 W
- Sound level : <84 dB
- Charge indicator : LED
- Charging base : Standing
- Air flow system : Cyclonic action
- Accessories : Crevice and brush
- Application environment : Dry
- Filter : HEPA10
- Dust capacity : 500 ml
- Weight : 3.5 Kg
- Size Handheld L x B x H : 480 x 120 x 130 mm
- Size incl. stick L x B x H : 1150 x 265 x 230 mm

Charge/Discharge indication

- Charging : LED lights up during charging
- Battery Fully charged : LED will turn off

ASSEMBLY & DISASSEMBLY ADVICE

- No specific issues

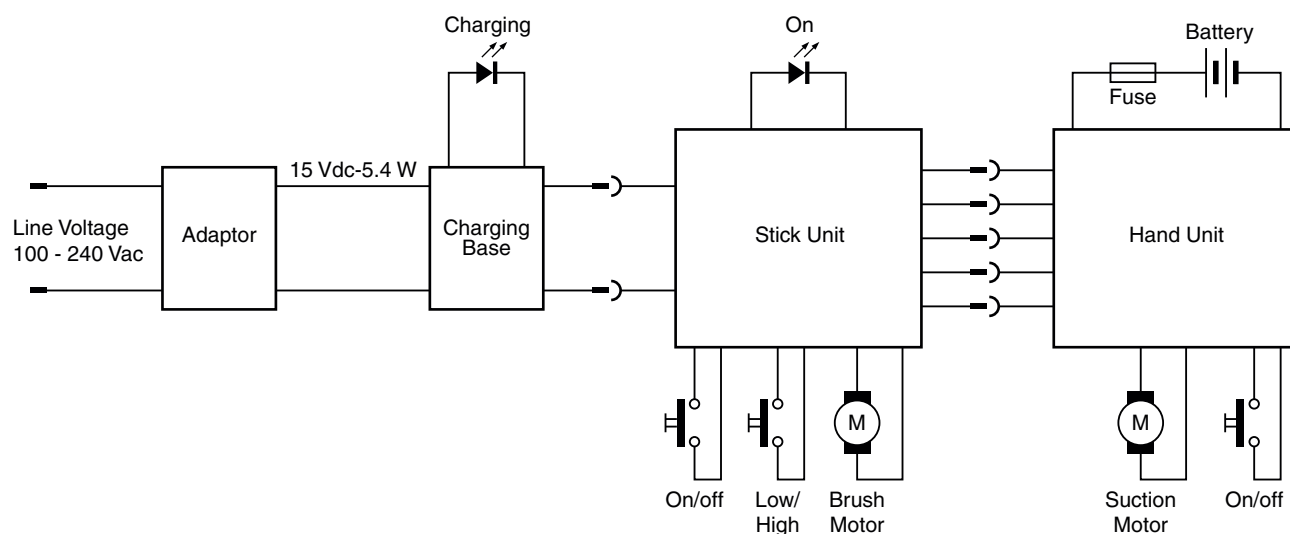
REPAIR INSTRUCTION

- No specific issues

OPTIONAL (accessories)

- No specific issues

Electrical diagram



PARTS LIST

Pos	Service code	Description	
1	4222 459 49541	Nozzle assy complete	Oyster metallic
2	4222 459 49571	Roller brush assy	
3	4222 459 49331	Crevice tool	Ink Black
4	4222 459 49241	Brush tool	Ink Black
5	4222 459 49611	Support assy	Ink Black
6	4222 459 49291	Charger base Europe	Ink Black
7	4222 459 49641	Upper stick assy complete	Oyster Metallic
8	4222 459 49351	Filter holder assy	
9	4322 004 93471	HEPA filter assy	
10	4222 459 49431	Mesh filter assy	
11	4222 459 49371	Lock screw	
12	4222 459 49401	Lower stick assy complete	Oyster metallic
13	4222 459 49341	Dustcup assy	Smoke Black
14	4222 459 49491	Nose piece assy	Oyster metallic
15	9965 100 69518	Motor unit	

■ = changed

