

Service
Service
Service



Philips Consumer Lifestyle

Service Manual

PRODUCT INFORMATION

Features

- Extra large water inlet for fast filling
- Extra long cord length (3 m) for easy reach
- Extra clear indicator for high visibility of water level
- Careeza soleplate
- Tank capacity 300 ml
- Spray feature
- Steam rate 35 g/min
- Shot Of Steam & Vertical steam 90 g/min
- Integrated calc clean
- 360° ball swivel
- Integrated cord winder

Safety Information

- This product meets the requirements regarding interference suppression on radio and TV.
- After the product has been repaired, it should function properly and has to meet the safety requirements and legal regulations as officially laid down at this moment.

TECHNICAL INFORMATION

Voltage	: 120 V, 230 V
Frequency	: 50 - 60 Hz
Power	: 1300 W, 2200 W
Dimension (Iron)	: 303 x 120 x 152 mm (L x W x H)
Weight (Iron)	: 1.34 kg

Fast Filling

With the extra large water inlet, adding water to the iron is quick, easy & spill-free.

Easy Reach

With the extra long cord length of 3m, you can easily reach right up to the edge of your ironing board.

More Control

With the extra clear indicator, water level is highly visible and you know if you have enough water for that last garment.

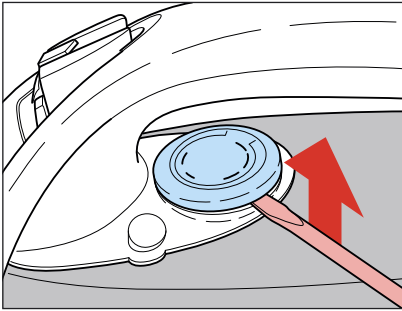
Careeza Soleplate

This is a multi-layer ceramic that glides smoothly over all types of fabric, keeping your clothes in perfect condition.

Vertical Steam

This offers the Shot Of Steam in vertical position to remove wrinkles on hanging garment.

THERMOSTAT DIAL 1



BACKPLATE 2

CORDSET 3

BALL SWIVEL 4

- Remove Screw A (1x)
- Remove BACKPLATE 2
- Remove Screw B (2x)
- Remove Cord clamp

INLAY 5

SUB-INLAY PRINTED 6

FILLING DOOR ASSY 7

STEAM SLIDER 8

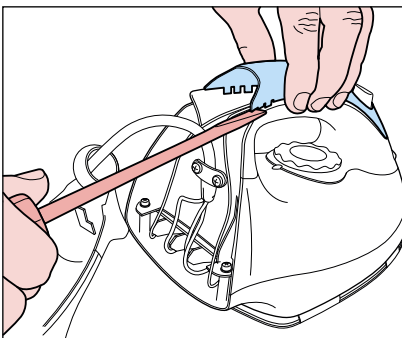
LAMP ASSY 9

SOS KNOB 11

SPRAY KNOB 12

TANK TOP SEAL 13

- Remove Screw A (1x)
- Remove BACKPLATE 2
- Remove FILLING DOOR ASSY 7
- Remove Screw C (1x)
- Remove SUB-INLAY 6
- Remove INLAY 5



CLAMP BRACKET 14

DOSING CAM 15

STEAM SHAFT ASSY 16

SHAFT BELLOW 17

- Remove Screw A (1x)
- Remove BACKPLATE 2
- Remove FILLING DOOR ASSY 7
- Remove Screw C (1x)
- Remove SUB-INLAY 6
- Remove INLAY 5
- Remove SOS KNOB 11
- Remove SPRAY KNOB 12
- Remove Screw D (2x)
- Remove CLAMP BRACKET 14

HOUSING PRINTED 18

PLASTIC RATTLE SPRING 19

PUMP ASSY 20

WATER TANK ASSY 21

ORIFICE 22

THERMOSTAT BUSH 23

- Remove Screw A (1x)
- Remove BACKPLATE 2
- Remove Screw B (2x)
- Remove Cord clamp
- Remove FILLING DOOR ASSY 7
- Remove Screw C (1x)
- Remove SUB-INLAY 6
- Remove INLAY 5
- Remove Screw E (2x)
- Remove THERMOSTAT DIAL 1
- Remove HOUSING PRINTED 18
- Remove Screw F (2x)
- Remove WATER TANK ASSY 21

HEAT SHIELD 24

COVER 25

SOS SEAL 26

DOSING SEAL 27

SOLEPLATE ASSY 28

- Remove Screw A (1x)
- Remove BACKPLATE 2
- Remove Screw B (2x)
- Remove Cord clamp
- Remove FILLING DOOR ASSY 7
- Remove Screw C (1x)
- Remove SUB-INLAY 6
- Remove INLAY 5
- Remove Screw E (2x)
- Remove Screw F (2x)
- Remove WATER TANK ASSY 21
- Remove Screw G (3x)
- Remove HEAT SHIELD 24
- Remove COVER 25

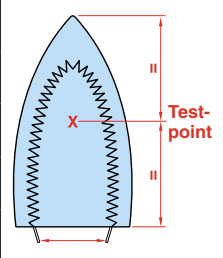
- Due to the high wattage of the iron, only the specified cord set must be used.
- Should damage be observed on the **CORDSET 3**, it must be replaced. Continued usage is not allowed.
- For standardization reason, the **COVER 25** is provided without type plate information eg. type number, voltage etc. When replacing the cover, engrave the type number & voltage on the type plate with a sharp object.
- After the product has been repaired, it should function properly and has to meet the safety requirements & legal regulations as laid down & officially established at this moment.
- The following tests are common checks that are conducted on a repaired product before it is returned to the consumer.

1. Soleplate temperature

Check that soleplate temperature is within IEC requirement.

Measure the temperature of the soleplate after the iron has reached steady state i.e connected to the mains for at least 15 minutes. The table below shows the temperature requirement.

Marking	Soleplate temperature (Deg C)			Material, for example
	Minimum	Maximum	Nominal + Tolerance	
• (1 dot)	70	120	95 ± 25	Acetate, elastane, polyamide, polypropylene
•• (2 dots)	100	160	130 ± 30	Cupro, polyester, silk, triacetate, viscose, wool
••• (3 dots)	140	210	175 ± 35	Cotton, linen



2. Leakage current

Check that leakage current is within IEC requirement.

Measure leakage current between LIVE/NEUTRAL & EARTH. IEC requirement is that at 230 V supply, the EARTH leakage current must be less than 0.75 mA.

3. Water leakage / Functionality

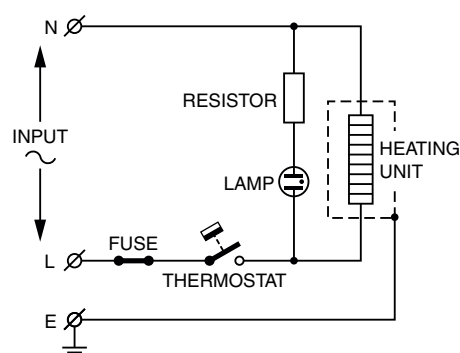
Check that there is no water leakage from any part of the product during operation.

Check that the functionality of the product (product dependent) eg. steaming, variable steam, SOS, ASO etc is working properly.

4. Loose part

Check that there are no loose parts eg. extra screw in the product that can cause short-circuit or product malfunction.

Pos	Service code	Description
1	4239 021 41560	Thermostat dial printed (Spa/Ita/Por text)
	4239 021 40500	Thermostat dial printed (Ger/Swe text)
	4239 021 41500	Thermostat dial printed (Eng text)
	4239 021 41700	Thermostat dial printed (Fre/Dut text)
	4239 021 41710	Thermostat dial printed (Eng/Kor text)
2	4239 026 27080	Backplate
3	4239 000 07760	Cordset EU
	4239 000 09650	Cordset Taiwan
4	4239 026 27130	Ball swivel
5	4239 026 26810	Inlay
6	4239 021 40670	Sub-inlay printed
7	4239 021 40950	Filling door assy
8	4239 026 27020	Steam slider
9	4239 021 32500	Lamp assy
10	4239 026 01220	Lamp holder
11	4239 026 26830	SOS knob
12	4239 026 26840	Spray knob
13	4239 015 55800	Tank top seal
14	4239 026 19450	Clamp bracket
15	4239 026 19440	Dosing cam
16	4239 021 33170	Steam shaft assy 230 V
	4239 021 35680	Steam shaft assy 120 V
17	4239 015 53170	Shaft bellow
18	4239 026 27030	Housing printed
19	4239 026 27200	Plastic rattle spring
20	4239 020 90560	Pump assy
21	4239 021 40760	Water tank assy
	4239 021 41760	Water tank assy - Korea
	4239 021 41480	Water tank assy - Taiwan
22	4239 025 99230	Orifice
23	4239 026 13220	Thermostat bush
24	4239 010 09170	Heat shield
25	4239 026 20330	Cover
26	4239 015 54410	SOS seal
27	4239 015 55920	Dosing seal
28	4239 021 41390	Soleplate assy - 120 V
	4239 021 39860	Soleplate assy - 230 V
	4239 026 10270	Filling cup



= changed

