

Service
Service
Service



Philips Domestic Appliances and Personal Care

Service Manual

PRODUCT INFORMATION

Features

- Color : Petrol
- SteamGlide soleplate
- Easy Reach Steam tip
- Steam output (40 gram/min)
- Shot Of Steam, SOS (100 gram/min)
- Vertical SOS (100 gram/min)
- Spray feature
- Tank capacity (350 ml)
- Cord winder & Velcro
- Cord length (3 m)
- Drip stop feature
- Double Active Calc System

Safety Information

- This product meets the requirements regarding interference suppression on radio and TV.
- After the product has been repaired, it should function properly and has to meet the safety requirements and legal regulations as officially laid down at this moment.

TECHNICAL INFORMATION

Voltage	: 220 - 240 V
Frequency	: 50 - 60 Hz
Power	: 2000 - 2400 W
Dimension (F-box)	: 335 (L) x 144 (W) x 182 (H) mm
Weight	: 1.68 kg

Water Advice

Suitable for tap water use. Advice to mix with equal portion of distilled water or use only distilled water if the tap water is very hard.

SteamGlide Soleplate

The specially treated SteamGlide soleplate is designed with 2 distinctly different types of steam vents:

1. Large vents for maximum crease removal
2. Fine vents for best glide

Easy Reach Steam Tip

Concentrated steam delivered in the hard to reach places by pointed shape & the elongated steam slots.

Double Active Calc System

This is a 2-step system to protect your iron from scale build-up:

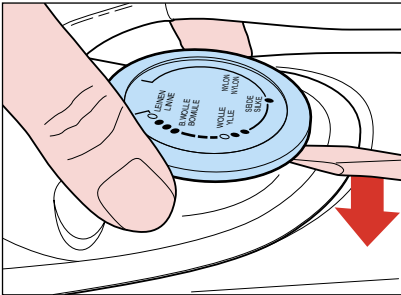
1. The anti-calc tablet prevents scale from clogging the steam vents.
2. The calc-clean function flushes out any loose scale particles still inside the iron.

Drip Stop Feature

Water is released into the steam chamber via the tank valve when the soleplate temperature is high enough. When temperature is too low, the tank valve is closed by means of a bi-metal disc.

**THERMOSTAT PLATE
PRINTED 29**

THERMOSTAT RING 30

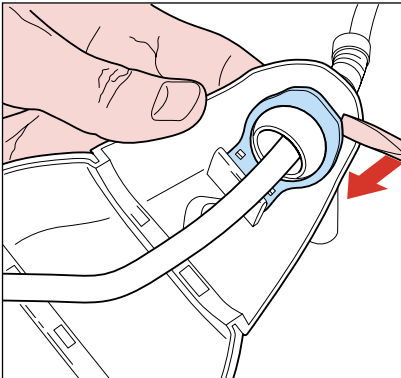


BACKPLATE 7

BALL SWIVEL 8

CORDSET 26

- Remove Screw A
- Remove BACKPLATE 7
- Remove Screws B1, B2



FILLING DOOR ASSY 10

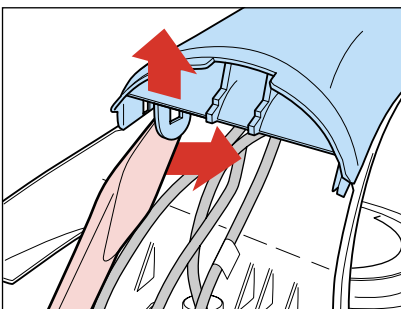
INLAY ASSY 11

SOS KNOB 24

SPRAY KNOB 25

LAMP ASSY 27

- Remove Screw A
- Remove BACKPLATE 7
- Remove INLAY ASSY 11



STEAM SLIDER 13

WATER TANK ASSY 14

PUMP ASSY 16

STEAM SHAFT ASSY 18

CLAMP BRACKET 20

TANK SEAL 21

HOUSING 22

SPRAY NOZZLE ASSY 17

THERMOSTAT BUSH 28

AESTHETIC RING 31

- Remove Screw A
- Remove BACKPLATE 7
- Remove INLAY ASSY 11
- Remove SOS KNOB 24
- Remove SPRAY KNOB 25
- Remove Screws C1, C2
- Remove CLAMP BRACKET 20
- Remove STEAM SHAFT ASSY 18
- Remove THERMOSTAT PLATE PRINTED 29
- Remove THERMOSTAT RING 30
- Remove Screws D1, D2
- Remove Screws E1, E2
- Remove HOUSING 22
- Remove Screws F1, F2
- Remove WATER TANK ASSY 14

COVER 1

**SOLEPLATE MOUNTED
ASSY 2**

SOS SEAL 3

RYTON SPACER 4

DOSING SEAL 5

HEAT SHIELD 6

- Remove Screw A
- Remove BACKPLATE 7
- Remove INLAY ASSY 11
- Remove SOS KNOB 24
- Remove SPRAY KNOB 25
- Remove Screws E1
- Remove Screws F1, F2
- Remove WATER TANK ASSY 14
- Remove Screws G1, G2, G3
- Remove HEAT SHIELD 6
- Remove COVER SPRAYED 1

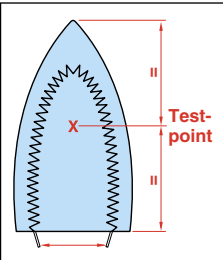
- Due to the high wattage of the iron, only the specified cord set must be used.
- Should damage be observed on the **CORDSET 26**, it must be replaced. Continued usage is not allowed.
- If **COVER 1** is provided without type plate information eg. type number, voltage etc. When replacing the cover, engrave the type number & voltage on the type plate with a sharp object.
- After the product has been repaired, it should function properly and has to meet the safety requirements & legal regulations as laid down & officially established at this moment.
- The following tests are common checks that are conducted on a repaired product before it is returned to the consumer.

1. Soleplate temperature

Check that soleplate temperature is within IEC requirement.

Measure the temperature of the soleplate after the iron has reached steady state i.e connected to the mains for at least 15 minutes. The table below shows the temperature requirement.

Marking	Soleplate temperature (Deg C)			Material, for example
	Minimum	Maximum	Nominal + Tolerance	
• (1 dot)	70	120	95 ± 25	Acetate, elastane, polyamide, polypropylene
•• (2 dots)	100	160	130 ± 30	Cupro, polyester, silk, triacetate, viscose, wool
••• (3 dots)	140	210	175 ± 35	Cotton, linen



2. Leakage current

Check that leakage current is within IEC requirement.

Measure leakage current between LIVE/NEUTRAL & EARTH.

IEC requirement is that at 230 V supply, the EARTH leakage current must be less than 0.75 mA.

3. Water leakage / Functionality

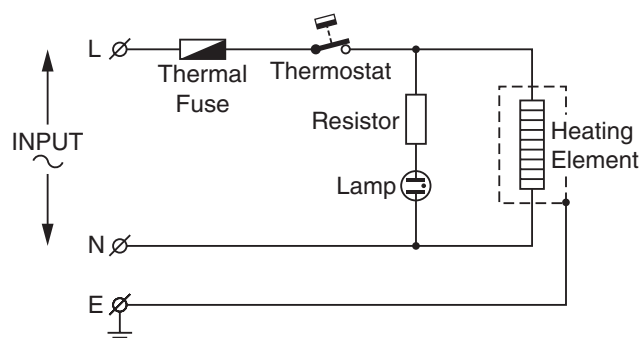
Check that there is no water leakage from any part of the product during operation.

Check that the functionality of the product (product dependent) eg. steaming, variable steam, SOS, ASO etc is working properly.

4. Loose part

Check that there are no loose parts eg. extra screw in the product that can cause short-circuit or product malfunction.

Pos	Service code	Description
1	4239 015 40060	Cover sprayed inscribed (Petrol)
	4239 015 40460	Cover sprayed inscribed (Petrol) - Swiss
2	4239 021 37370	Soleplate mounted assy 230 V
3	4239 015 54410	SOS seal
4	4239 025 98250	Ryton spacer
5	4239 015 55620	Dosing seal
6	4239 010 08970	Heat shield
7	4239 026 25350	Backplate (Petrol dusk)
8	4239 026 25230	Ball swivel (Petrol dusk)
9	4239 026 24840	Backplate cover (Transparent deep petrol)
10	4239 021 36580	Filling door assy (Deep petrol)
11	4239 021 36610	Inlay assy (Petrol dusk)
12	4239 026 17270	Lamp cover
13	4239 026 24980	Steam slider (Deep petrol)
14	4239 021 36700	Water tank assy (Deep petrol)
15	4239 021 22540	Valve bellow assy
16	4239 020 90560	Pump assy
17	4239 021 03040	Spray nozzle assy
18	4239 021 22590	Steam shaft assy
19	4239 026 17220	Dosing cam
20	4239 026 17230	Clamp bracket
21	4239 015 55610	Tank seal
22	4239 026 18640	Housing
23	4239 014 54180	Rattle spring
24	4239 026 25110	SOS knob (Pigeon petrol)
25	4239 026 25140	Spray knob (Pigeon petrol)
26	4239 000 09950	Cordset EU
	4239 000 10000	Cordset Swiss
27	4239 021 29040	Lamp assy
28	4239 026 17320	Thermostat bush
29	4239 021 36790	Thermostat plate printed - Fre/Dut
	4239 021 37960	Thermostat plate printed - Ita/Spa/Por
	4239 021 38250	Thermostat plate printed - Ger/Swe
30	4239 026 25170	Thermostat ring (Petrol dusk)
31	4239 021 36830	Aesthetics ring (Metallic petrol)
32	4239 026 05990	Filling cup
33	4239 026 01220	Lamp holder



EXPLODED VIEW

GC4410

