

Service
Service
Service



Philips Consumer Lifestyle

Service Manual

Product information

Fast & powerful crease removal

- Soleplate: SteamGlide
- OptimalTemp Technology
- Steam output
- Vertical steam
- Steam pressure: Max 4.5 bar pump pressure
- Steam tip
- Power: 2400 W
- Steam boost: 170 g
- Continuous steam output: 110 g/min

Easy to use

- Water tank capacity: 1700 ml
- Filling and emptying water: Extra large filling hole
- Refill any time
- Heat-up time: 2 min
- Hose storage: Hose storage compartment
- Cord storage: Cord clip
- Hose length: 1.6 m
- Safe for all fabrics: Even for delicates like silks
- Power cord length: 1.8 m

Sustainability

- Energy saving: 10% energy reduction

Calc management

- Suitable for tap water
- Calc clean solution: Smart Calc Clean
- Calc clean reminder

Safety Information

- This product meets the requirements regarding interference suppression on radio and TV.
- After the product has been repaired, it should function properly and has to meet the safety requirements and legal regulations as officially laid down at this moment.

Technical information

- Weight of iron : 1.24 kg
- Weight of iron + base : 4.1 kg
- Dimensions
 - Product : 32.2 x 19.4 x 23.6 cm
 - Packaging : 42.7 x 23.8 x 33.5 cm

Accessories

- Calc clean container

INLAY 10
IRON PCBA 6
TRIGGER SPRING SCREW & CAP 27
TRIGGER 9
IRON BOTTOM CAP 28
RUBBER CAP 29
DECO PLATE 11
DOSING HEAD 2

- Remove **Screw A1**
- Remove **INLAY 10**
- Remove **Screw B1**
- Remove **IRON PCBA 6**
- Remove **Screw C1, C2 & C3**
- Remove **TRIGGER SPRING SCREW & CAP 27**
- Remove **TRIGGER 9**
- Remove **Screw D1**
- Remove **IRON BOTTOM CAP 28**
- Remove **RUBBER CAP 29**
- Remove **DECO PLATE ASSY 11**
- Remove **Screw E1 & E2**
- Remove **HOUSING 4**
- Remove **DOSING HEAD 2**

COVER RUBBER CAP 30
RUBBER BUNG 31
COVER 3
CHASSIS 8
IRON BOTTOM CAP 28
SOLEPLATE ASSY 1

- Remove **Screw A1**
- Remove **INLAY 10**
- Remove **Screw B1**
- Remove **IRON PCBA 6**
- Remove **Screw C1, C2 & C3**
- Remove **TRIGGER SPRING SCREW & CAP 27**
- Remove **TRIGGER 9**
- Remove **Screw D1**
- Remove **IRON BOTTOM CAP 28**
- Remove **RUBBER CAP 29**
- Remove **DECO PLATE ASSY 11**
- Remove **Screw E1 & E2**
- Remove **HOUSING 4**
- Remove **DOSING HEAD 2**
- Remove **COVER RUBBER CAP 30**
- Remove **RUBBER BUNG 31**
- Remove **Screws F1, F2 & G2**
- Remove **COVER 3**
- Remove **Screw H1 & H2**
- Remove **CHASSIS 8**
- Remove **Screw J1 & J2**
- Remove **IRON BOTTOM CAP 28**
- Remove **SOLEPLATE ASSY 1**

TRAY CAP 20
TRAY RUBBER 19
TRAY 18
LOCK ASSY 31
HOSE GUIDE 33
STAND BOTTOM CAP 13
STAND BOTTOM 12
WATERTANK ASSY 21

- Remove **TRAY CAP 20**
- Remove **Screw A1, A2**
- Remove **TRAY RUBBER 19**
- Remove **Screw B1 & B2**
- Remove **TRAY 18**
- Remove **Screw C1 & C2**
- Remove **LOCK ASSY 31**
- Remove **Screw D1 - D10**
- Remove **HOSE GUIDE 33**
- Remove **STAND BOTTOM CAP 13**
- Remove **STAND BOTTOM 12**
- Remove **WATERTANK ASSY 21**

FILLING DOOR 22
POWER BUTTON 24
HOSECORD CLAMP 32
HOSECORD 7
PCBA 25
PUMP ASSY 14

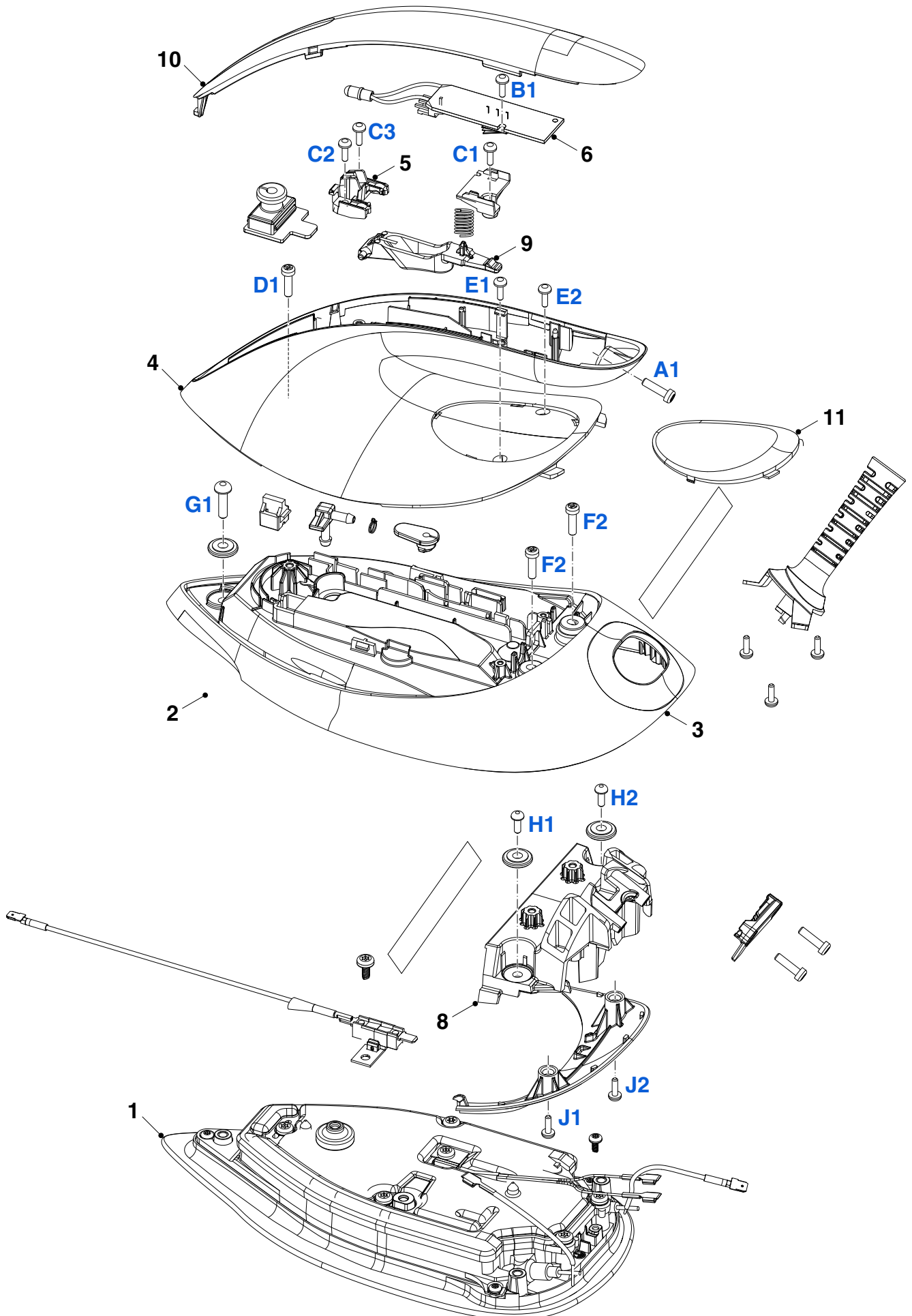
- Remove **TRAY CAP 20**
- Remove **Screw A1, A2**
- Remove **TRAY RUBBER 19**
- Remove **Screw B1 & B2**
- Remove **TRAY 18**
- Remove **Screw C1 & C2**
- Remove **LOCK ASSY 31**
- Remove **Screw D1 - D10**
- Remove **HOSE GUIDE 33**
- Remove **STAND BOTTOM CAP 13**
- Remove **STAND BOTTOM 12**
- Remove **WATERTANK ASSY 21**
- Remove **FILLING DOOR 22**
- Remove **Screw E1 & E2**
- Remove **POWER BUTTON 24**
- Remove **Screw F1 & F2**
- Remove **HOSECORD CLAMP 32**
- Remove **DE-AIR TUBE 34**
- Remove **HOSECORD 7**
- Remove **Screw G1**
- Remove **PCBA 25**
- Remove **PUMP ASSY 14**

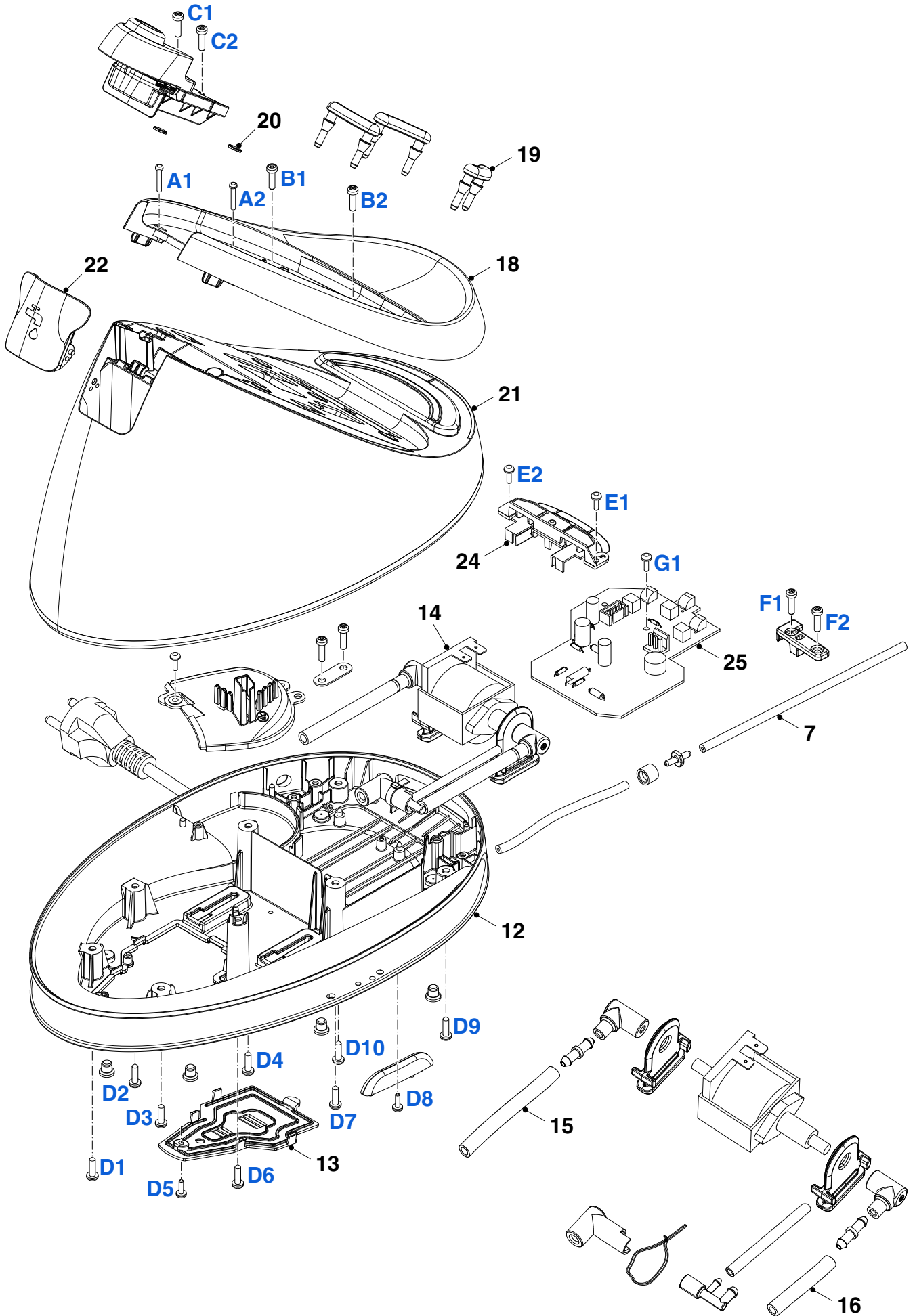
Iron

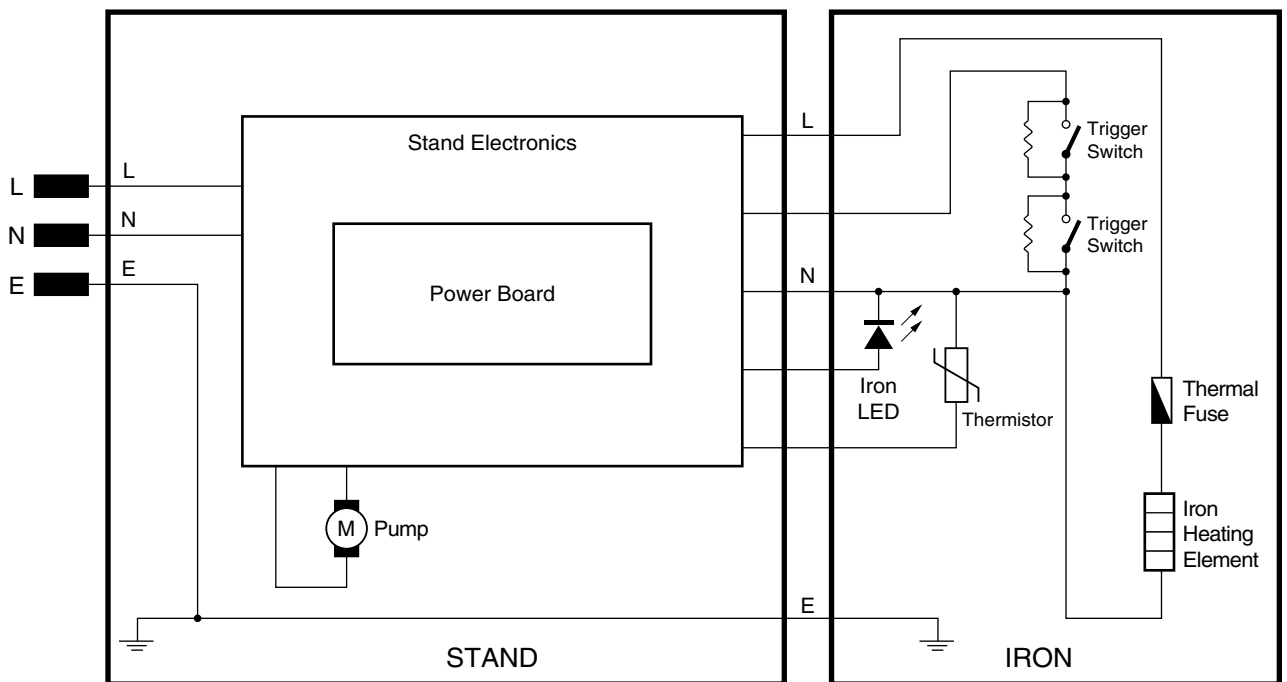
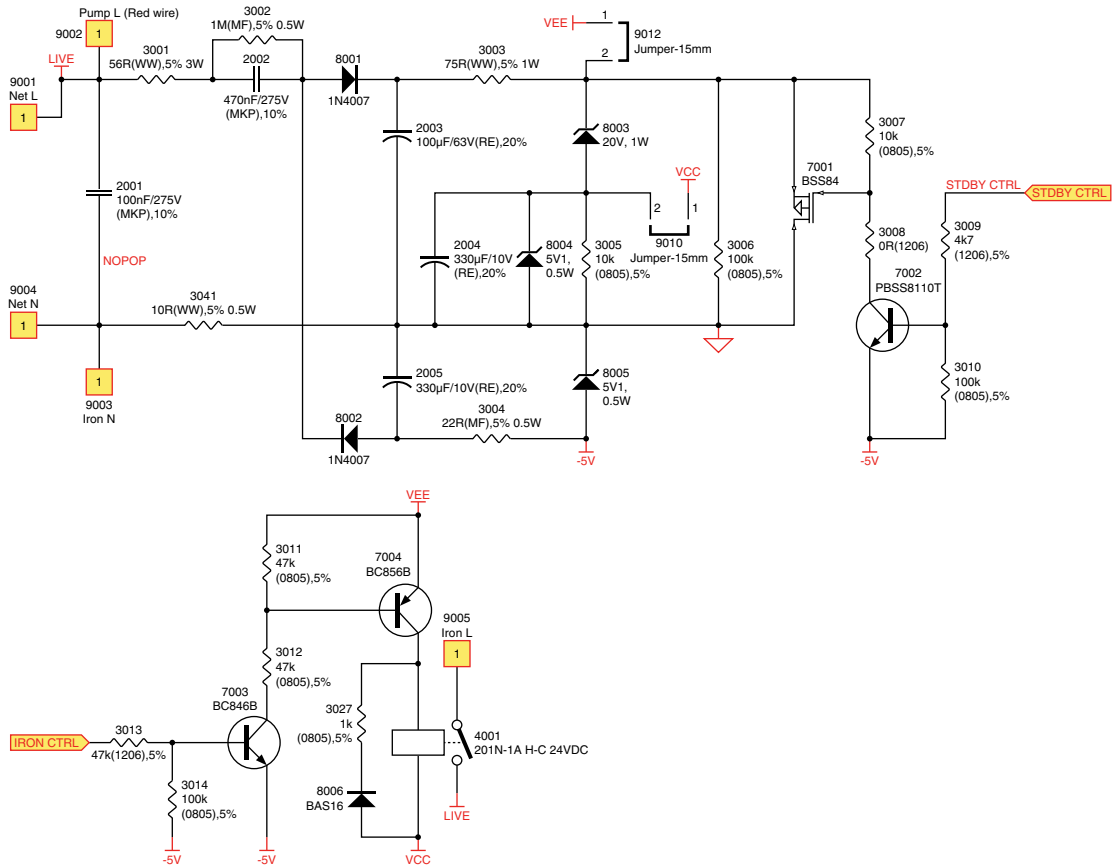
Pos	Service code	Description
1	4239 021 85241	Soleplate Assy
2	4239 026 53722	Dosing head
3	4239 026 58862	Cover
4	4239 021 83642	Housing
5	4239 026 58921	LED holder
6	4239 021 83111	Iron PCBA
7	4239 021 85373	Hose cord
8	4239 026 58853	Chassis
9	4239 026 60191	Trigger
10	4239 021 85392	Inlay
11	4239 021 85402	Deco plate Assy

Stand

Pos	Service code	Description
12	4239 021 86382	Stand bottom
13	4239 026 58982	Stand bottom cap
14	4239 021 83081	Pump Assy
15	4239 015 61103	Tube pump inlet
16	4239 015 61092	Tube pump outlet
17	4239 010 13341	Hose clip
18	4239 021 85652	Tray LE/HE
19	4239 015 60431	Tray rubber
20	4239 026 59021	Tray cap
21	4239 021 85412	Water tank Assy
22	4239 026 60241	Filling door
23	2422 070 98559	Power cord EU
	2422 070 98587	Power cord CN
24	4239 021 83101	Power button
25	4239 021 83093	Power board PCBA
26	4239 021 85092	Calc Clean container Assy







- Due to the high wattage of the iron, only the specified cord set must be used.
- Should damage be observed on the **POWER CORD 23**, it must be replaced. Continued usage is not allowed.
- If **STAND BOTTOM 12** is provided without type plate information eg. Type number, voltage etc. When replacing the cover, engrave the type number & voltage on the type plate with a sharp object.
- After the product has been repaired, it should function properly and has to meet the safety requirements & legal regulation as laid down & officially established at this moment.
- The following tests are common checks that are conducted on a repaired product before it is returned to the consumer.

1. Soleplate temperature

Check the soleplate temperature is within IEC requirement.

Soleplate temperature (Deg C)		Materials, for example	
Minimum	Maximum		
120	143	All fabric types	

2. Leakage current

Check that leakage current is within IEC requirement.

Measure leakage current between LIVE/NEUTRAL & EARTH.

IEC requirement is that at 230 V supply, the EARTH leakage current must be less than 0.75 mA.

3. Water leakage / Functionality

Check that there is no water leakage from any part of product during operation.

Check that the functionality of the product (product dependent) eg. Steaming, steam trigger, variable steam, SOS, PCBA etc is working properly.

4. Loose part

Check that there are no loose parts eg. Extra screws in the product that can cause short-circuit or product malfunctions.

5. Fuse open circuit

When replacing fuse, to also service the water tubes which is probably choked with calc.

6. PCBAs ESD control

All failed PCBAs including to be packed with ESD bags for shipment.

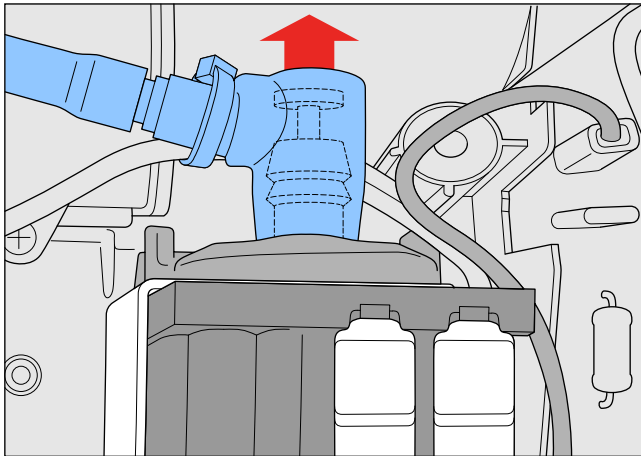
7. Screws

Screws should be the defined screws in terms of length and material used.

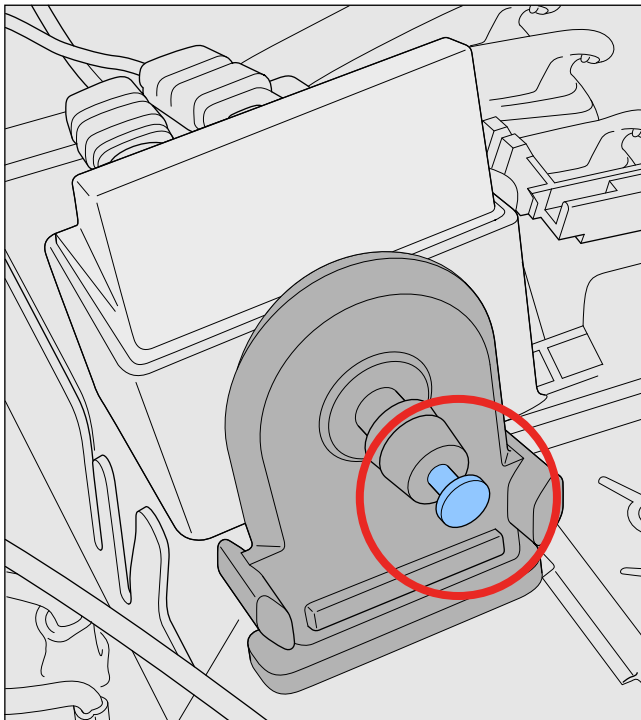
8. Pump - Cleaning restrictor

Service center to perform pump restrictor cleaning via following step if observe pump not pumping water:

- 1) De-assemble water tube of pump.



- 2) Clean restrictor via sharp object.



- 3) Re-assemble stand