

Service
Service
Service



Philips Consumer Lifestyle

Service Manual

PRODUCT INFORMATION

Features

Iron

- Careeza soleplate
- Steam rate (Max): 100 g/min
- Steam trigger with lock
- Steam hose length: 1.8 m

Stand

- Inox boiler
- Boiler pressure: 4.0 bar
- Fixed water tank volume: 1.0 L
- Cord length: 2.0 m
- Flex & hose-cord storage hook
- Easy rinse
- Electronic variable steam control
- Tank empty light
- Boiler ready light

Safety Information

- This product meets the requirements regarding interference suppression on radio and TV.
- After the product has been repaired, it should function properly and has to meet the safety requirements as officially laid down as this moment.

TECHNICAL INFORMATION

Voltage	: 220 - 240 V
Frequency	: 50 - 60 Hz
Power Iron	: 800 W
Boiler	: 1370 W
Dimension (F-box)	: 350 x 350 x 250 mm (L x W x H)
Weight (with packing)	: 6.4 kg

Water advice

If the tap water in your area is very hard, it is advisable to mix the tap water with an equal amount of demineralised water.

Easy to rinse

The new design of the rinse cap makes it very easy to rinse the boiler regularly. Simply unscrew the cap and pour out the "dirty" water into the sink.

No hassle with coins, extra tubes or anything of this sort.

Fixed water tank

The fixed water tank that is incorporated into the stand allows re-filling anytime during ironing. Since water is not re-filled directly into the boiler, there is no waiting time for boiler to cool down.

- BACKPLATE 1
- SWIVEL 2
- HOSE CORD ASSY 3

- Remove Screw A
- Disassemble BACKPLATE 1
- Remove Screw B1, B2
- Remove Clamping plate
- Remove Quick-connect S, E, L, N
- Disassemble SWIVEL 2
- Remove HOSE CLIP 10
- Disassemble Steam hose
- Disassemble HOSE CORD ASSY 3

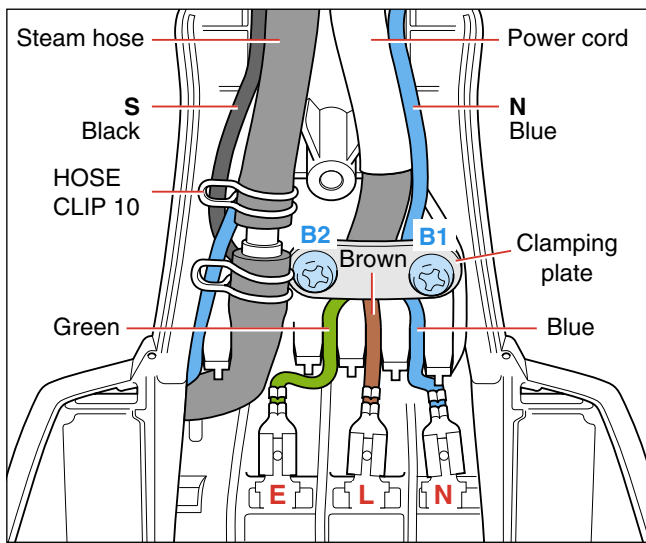


Fig 1. Wiring at rear HOUSING (Part 1)

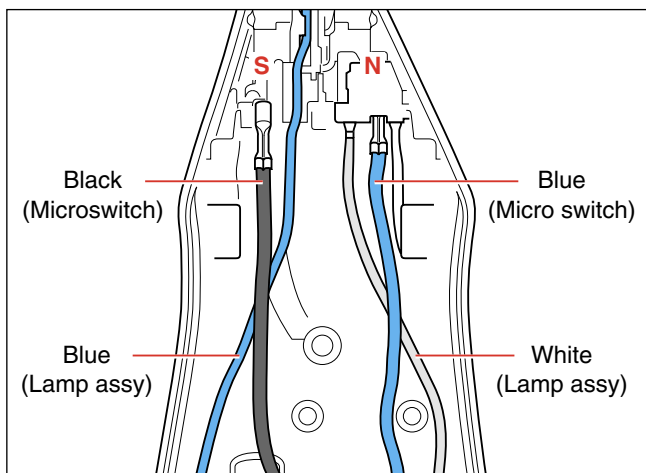


Fig 2. Wiring at rear HOUSING (Part 2)

- INLAY 4
- LAMP ASSY 7
- MICROSWITCH ASSY 9
- TRIGGER 12
- THERMOSTAT DIAL ASSY 14
- HOUSING PRINTED 16
- SOLEPLATE COVER 17
- THERMOSTAT BUSH 19
- RUBBER HOSE 20
- BRASS JOINT 21
- SOLEPLATE ASSY 23

- Remove Screw A
- Disassemble BACKPLATE 1
- Disassemble TRIGGER 12

Tip: Disassemble TRIGGER by inserting a sharp object into the gap at the rear of the trigger & prying upward.

- Remove Screw C
- Release Inlay rear catch
- Disassemble INLAY 4
- Disassemble LAMP ASSY 7
- Disassemble MICROSWITCH ASSY 9
- Disassemble THERMOSTAT ASSY 14

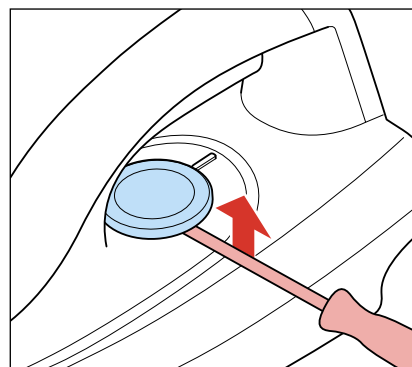


Fig 3.

- Remove Screws D1, D2, D3
- Disassemble HOUSING PRINTED 16
- Remove Screws E1, E2, E3
- Remove HOSE CLIP 22
- Disassemble SOLEPLATE COVER 17

Pos	Service code	Description
1	4239 026 26680	Backplate
2	4239 026 26550	Swivel (Green)
3	4239 021 39900	Hose cord assy
4	4239 021 40180	Inlay (Green)
5	4239 026 08280	Lamp cover
6	4239 026 26600	Steam lock (Green)
7	4239 021 32580	Lamp assy
8	4239 026 01220	Lamp holder
9	4239 021 42390	Microswitch assy
10	4239 010 10110	Hose clip - Iron
12	4239 026 26580	Trigger
13	4239 014 54370	Trigger spring
14	4239 021 39940	Thermostat dial assy (Green)
15	4239 026 27390	Rattle spring (Green)
16	4239 021 41140	Housing printed (Green)
17	4239 026 26520	Soleplate cover (Green)
18	4239 015 70150	Ryton ring
19	4239 026 13220	Thermostat bush
20	4239 015 56530	Braided rubber hose - non SOS
21	4239 010 09350	Brass joint
22	4239 010 10280	Hose clip - braided rubber hose
23	4239 021 41290	Soleplate assy 230 V

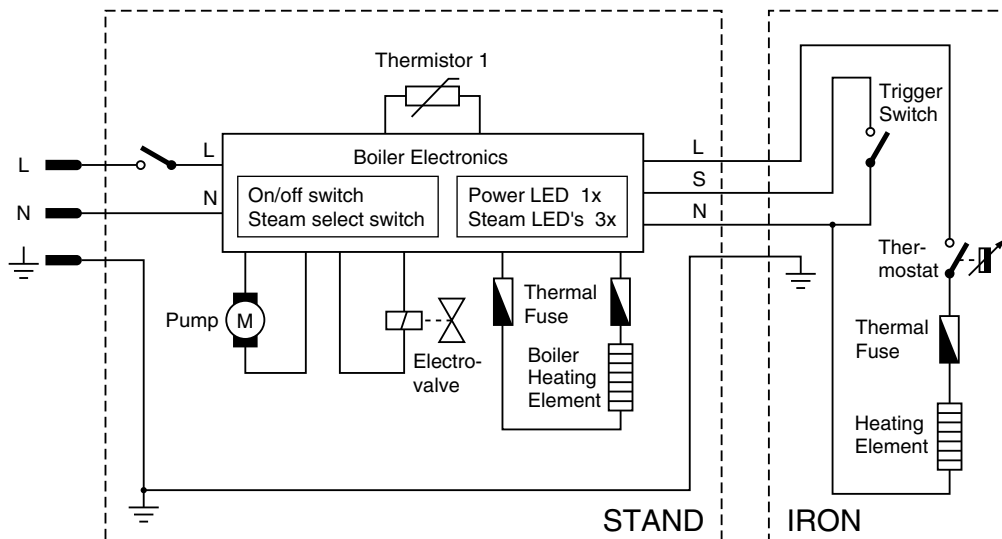


Fig 4 . Electrical diagram

TRAY RUBBER CAP 30

TRAY ASSY 33

DOOR ASSY 35

- Remove TRAY RUBBER CAP 30 (3x)
- Remove Screw F1, F2, F3
- Disassemble TRAY ASSY 33
- Remove Screw G
- Disassemble DOOR ASSY 35

FRONT PANEL PRINTED 37

POWER BOARD 43

CONTROL BOARD 60

- Remove TRAY RUBBER CAP 30 (3x)
- Remove Screw F1, F2, F3
- Disassemble TRAY ASSY 33
- Remove Screw H1, H2
- Disassemble FRONT PANEL 37
- Remove Screw J1, J2
- Disassemble PCB BRACKET 64
- Disassemble CONTROL BOARD 60
- Disassemble POWER BOARD 43

WATER TANK ASSY 34

HOSE CORD CAP 36

BOILER ASSY 38

**BRAIDED RUBBER HOSE -
BOILER 41**

PUMP ASSY 45

INLET TUBE - PUMP 46

DE-AIR TUBE 47

RINSE RUBBER COUPLING 50

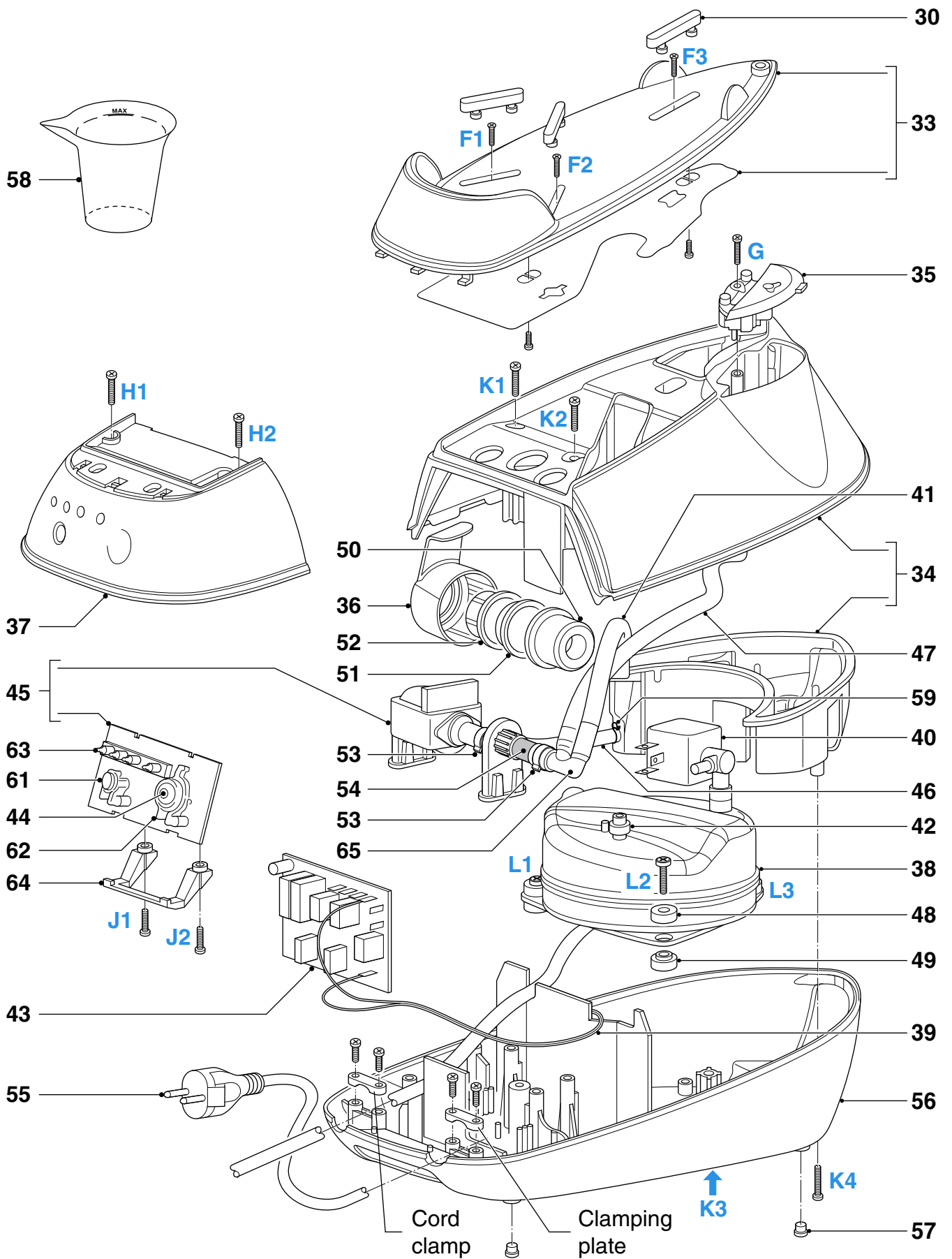
RINSE BUSH 51

RINSE CAP ASSY 52

- Remove TRAY RUBBER CAP 30 (3x)
- Remove Screw F1, F2, F3
- Disassemble TRAY ASSY 33
- Remove Screw H1, H2
- Disassemble FRONT PANEL 37
- Disassemble HOSE CORD CAP 36
- Disassemble RINSE CAP ASSY 52
- Disassemble RINSE BUSH 51
- Disassemble RINSE RUBBER COUPLING 50
- Remove Screws K1, K2, K3, K4
- Disconnect INLET TUBE - PUMP 46
- Disconnect DE-AIR TUBE 47
- Disassemble WATER TANK ASSY 34
- Disassemble BRAIDED RUBBER HOSE - BOILER 41
- Disassemble PUMP ASSY 45
- Remove Torx screws L1, L2, L3
- Disassemble TOP SPACER 48
- Disassemble BOILER ASSY 38

Pos	Service code	Description
30	4239 015 57320	Tray rubber cap (Green)
33	4239 021 39680	Tray assy (Green)
34	4239 021 42130	Water tank assy (Green)
35	4239 021 40150	Door assy (Green)
36	4239 026 26420	Hose cord cap (Green)
37	4239 021 39610	Front panel printed
38	4239 021 39530	Boiler assy Low End
39	4239 017 10420	Thermistor
40	4239 017 09890	Electrovalve
41	4239 015 56930	Braided rubber hose - boiler
42	4239 010 10260	Inox clamp - boiler
43	4239 021 68611	Power board
44	4239 015 56910	Power button cap (Green)
45	4239 022 66221	Control board-Pump assy Low End
46	4239 015 56860	Inlet tube - pump
47	4239 015 56870	De-air tube
48	4239 026 26120	Top spacer
49	4239 026 26110	Bottom spacer
50	4239 015 56760	Rinse rubber coupling
51	4239 026 26140	Rinse bush
52	4239 021 39580	Rinse cap assy (Green)
53	4239 010 10600	Inox clamp - pump
54	4239 015 56880	Braided rubber hose - pump
55	4239 000 10080	Cordset EU
56	4239 021 40090	Stand bottom
57	4239 015 52340	Bung
58	4239 026 05990	Filling cup
59	4239 021 40340	Control board
61	4239 026 27290	Steam button frame
62	4239 026 26260	Power button frame
63	4239 026 26240	Light guide
64	4239 026 26220	PCB bracket
65	4239 026 26490	De-air valve Low End

Note: For Pos 45, please replace both components together when either one is faulty.
The 2 components come as a service kit.



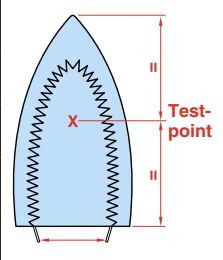
- Due to the high wattage of the iron, only the specified cord set must be used.
- Should damage be observed on the **HOSE-CORD ASSY 3** or **CORDSET 55**, they must be replaced. Continued usage is not allowed.
- When replacing the **MICROSWITCH ASSY 9**, please dress the 2 attached wires such that they are free of tension. Pulling force on the wires may affect the steam triggering.
- To avoid damage to the sealing & components of the **BOILER ASSY 38**, **NEVER** clean the boiler assy with vinegar, descaling agent or other corrosive chemicals.
- When replacing **ELECTROVALVE 40** or **PUMP ASSY 45**, please be reminded to apply loctite at the joints for good sealing.
- After the product has been repaired, it should function properly and has to meet the safety requirements & legal regulations as laid down & officially established at this moment.
- The following tests are common checks that are conducted on a repaired product before it is returned to the consumer.

1. Soleplate temperature

Check that soleplate temperature is within IEC requirement.

Measure the temperature of the soleplate after the iron has reached steady state i.e connected to the mains for at least 15 minutes. The table below shows the temperature requirement.

Marking	Soleplate temperature (Deg C)			Material, for example
	Minimum	Maximum	Nominal + Tolerance	
• (1 dot)	70	120	95 ± 25	Acetate, elastane, polyamide, polypropylene
•• (2 dots)	100	160	130 ± 30	Cupro, polyester, silk, triacetate, viscose, wool
••• (3 dots)	140	210	175 ± 35	Cotton, linen



2. Leakage current

Check that leakage current is within IEC requirement.

Measure leakage current between LIVE/NEUTRAL & EARTH.

IEC requirement is that at 230 V supply, the EARTH leakage current must be less than 0.75 mA.

3. Water leakage / Functionality

Check that there is no water leakage from any part of the product during operation.

Check that the functionality of the product (product dependent) eg. steaming, variable steam, SOS, ASO etc is working properly.

4. Loose part

Check that there are no loose parts eg. extra screw in the product that can cause short-circuit or product malfunction.