

Service
Service
Service



Philips Consumer Lifestyle

ServiceManual

PRODUCT INFORMATION

Features

Fast & powerful crease removal

- Soleplate: SteamGlide
- Continuous steam output
- Continuous steam output: 120 g/min
- Vertical steam
- Steam pressure: Up to 5 Bar
- Variable steam settings
- Steam tip
- Power: 2400W
- Steam boost: Up to 200 g

Easy to use

- Water tank capacity: 1000 ml
- Filling and emptying water: Extra large filling hole
- Refill any time
- Heat-up time: 2 min
- Hose storage: Hose clip
- Power cord length: 1.8 m
- Cord freedom (swivel): 180 degree cord freedom
- Hose length: 1.7 m

Sustainability

- ECO setting: 30% energy reduction

Calc management

- Suitable for tap water
- Calc clean solution: Anti-calc tablets + rinsing

Safety Information

- This product meets the requirements regarding interference suppression on radio and TV.
- After the product has been repaired, it should function properly and has to meet the safety requirements as officially laid down at this moment.

TECHNICAL INFORMATION

Voltage	:	220 - 240V
Frequency	:	50 - 60 Hz
Power	Iron	: 800W
	Boiler	: 1370W
Product dimension	:	42.9 x 40 x 20.6 cm
Weight of iron	:	1.2 kg
Weight of iron + base	:	4.5 kg

Water advice

If the tap water in your area is very hard, it is advisable to mix the tap water with an equal amount of demineralised water.

SteamGlide Soleplate

SteamGlide soleplate is the best Philips soleplate. It has great scratch resistance, glides excellent and is easy to clean.

Separate Water Tank

The separate watertank allows you to re-fill the watertank any time, even during ironing, without waiting.

ECO Setting

Save 30% energy and 40% water consumption by selecting the ECO-setting. The ECO-setting offers the most energy efficient way to obtain perfect ironing results.

Anti-calc Tablets

Permanent anti-calc tablets delay the formation of scale build up ensuring better protection for your system iron.

BACKPLATE 18
HOSE CORD ASSY 19

- Remove Screw A
- Disassemble BACKPLATE 18
- Remove Screw B1, B2
- Remove Clamping plate
- Remove Power cord quick-connect S, E, L, N
- Disassemble Steam hose
- Disassemble HOSE CORD ASSY 19

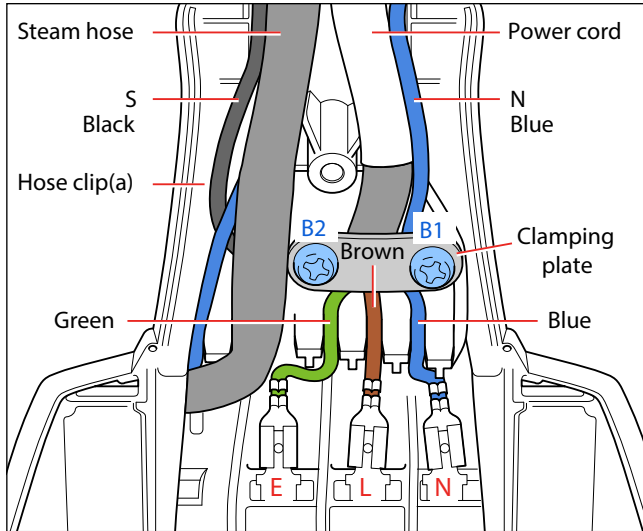


Fig 1. Wiring at rear HOUSING (Part 1)

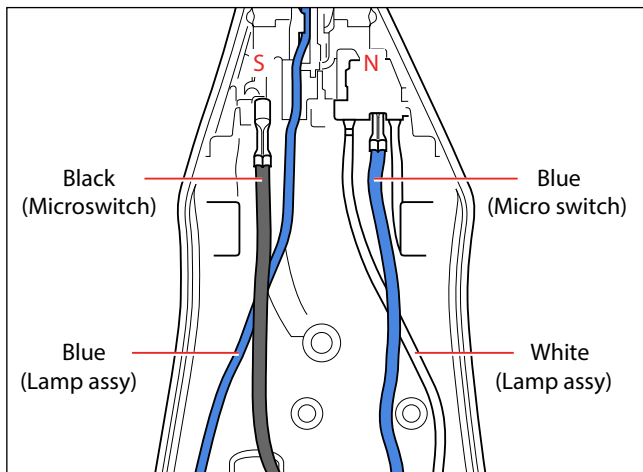


Fig 2. Wiring at rear HOUSING (Part 2)

INLAY 17
STEAM LOCK 13
LAMP MOUNTED ASSY 8
MICROSWITCH ASSY 11
TRIGGER 12
THERMOSTAT DIAL ASSY 15
HOUSING PRINTED 10
SOLEPLATE COVER 6
THERMOSTAT BUSH 9
RUBBER HOSE 3
SOLEPLATE ASSY 1

- Remove Screw A
- Disassemble BACKPLATE 18
- Release Inlay rear catch
- Disassemble INLAY 17
- Disassemble STEAM LOCK 13
- Disassemble MICROSWITCH ASSY 11
- Remove Screw C
- Disassemble TRIGGER 12
- Disassemble THERMOSTAT DIAL 15

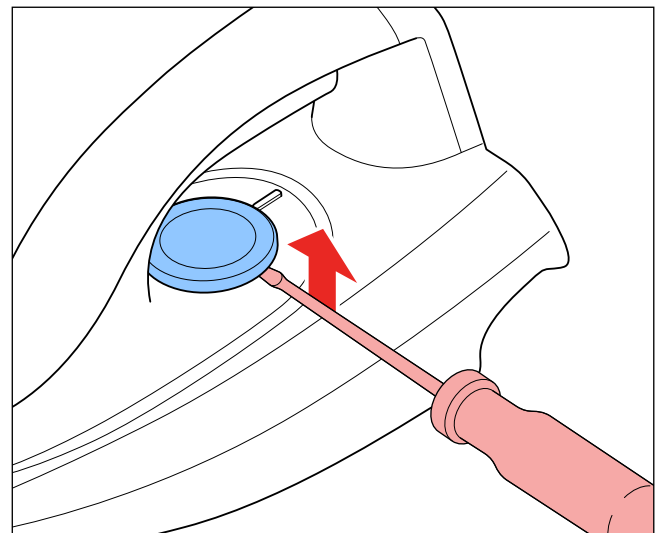


Fig 3.

- Remove Screws D1, D2, D3
- Disassemble HOUSING PRINTED 10
- Remove HOSE CLIP 4
- Disassemble RUBBER HOSE 3
- Remove Screws E1, E2, E3
- Disassemble SOLEPLATE COVER 6

Pos	Service code	Description	Remark
1	4239 021 68652	Soleplate assy 230V	Steamglide-SOS
2	4239 015 56122	Rubber hose (SOS)	
3	4239 015 56511	Rubber hose (dosing)	
4	4239 010 10111	Hose clip	
5	4239 015 70153	Ryton ring	
6	4239 015 70281	Soleplate cover	
7	4239 021 31782	Steam deviator assy	
8	4239 021 36861	Lamp mounted assy	
9	4239 026 13222	Thermostat bush	
10	4239 021 86991	Housing Prted	
11	4239 021 76601	Microswitch assy	
12	4239 026 48171	Trigger	Blue
13	4239 026 48181	Steam lock	Blue
14	4239 010 09293	Trigger spring	
15	4239 021 68691	Thermostat dial assy	Dark blue
16	4239 026 48201	SOS knob	Blue
17	4239 026 48211	Inlay SOS	Dark blue
18	4239 026 21895	Backplate	White
19	4239 021 79091	Hose cord mounted assy	

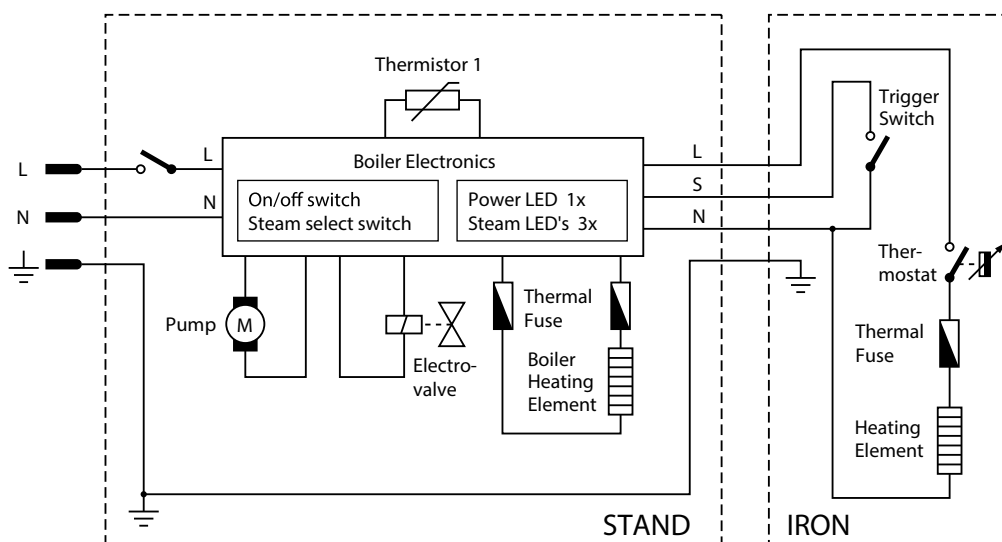
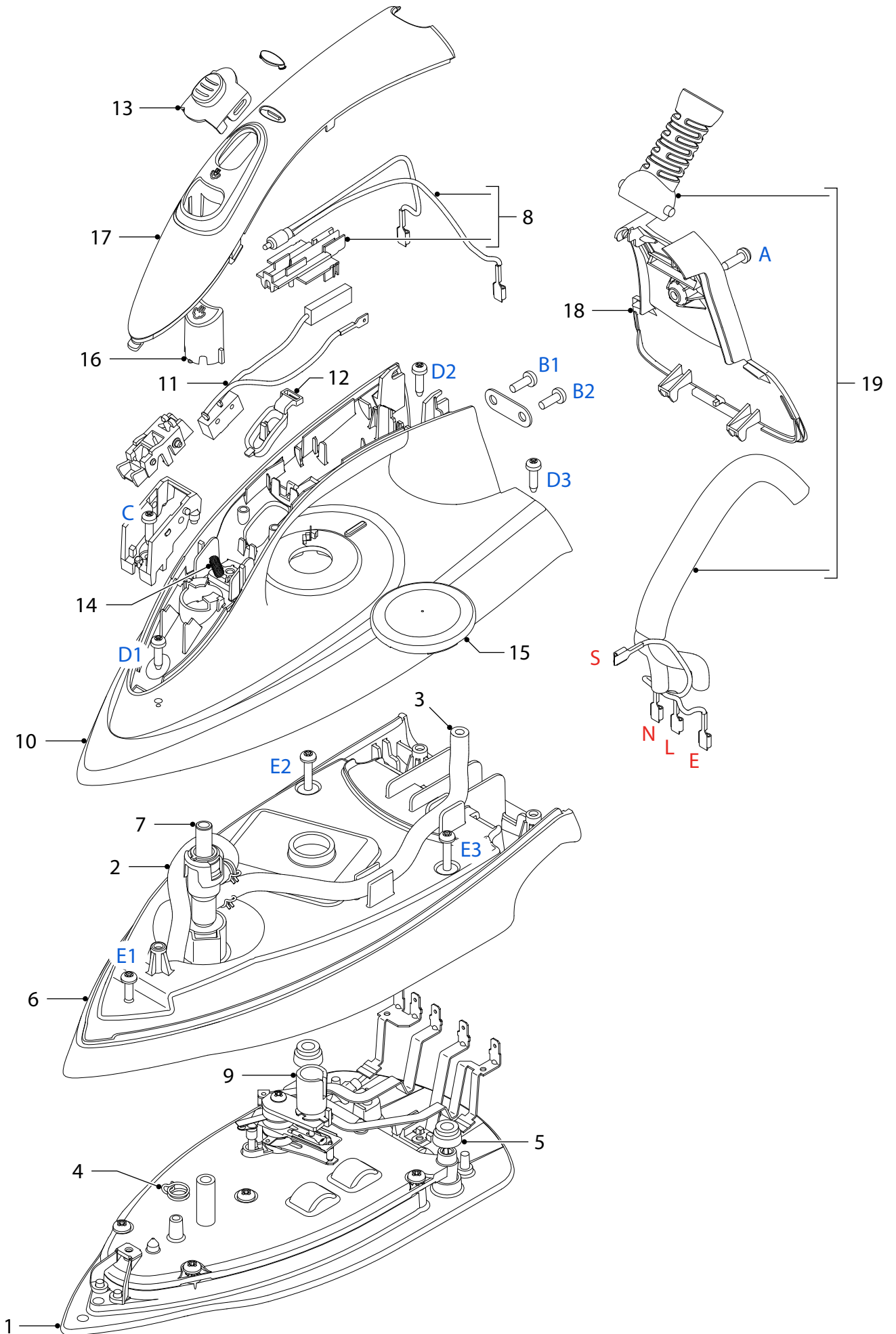


Fig 4. Electrical diagram



TRAY RUBBER CAP 30

TRAY ASSY 33

DOOR ASSY

- Remove TRAY RUBBER CAP 30 (3x)
- Remove Screw F1,F2,F3
- Disassemble TRAY ASSY 33
- Remove Screw G
- Disassemble DOORASSY

FRONT PANEL PRINTED 37

POWER BOARD 43

CONTROL BOARD

- Remove TRAY RUBBER CAP 30 (3x)
- Remove Screw F1,F2,F3
- Disassemble TRAY ASSY 33
- Remove Screw H1,H2
- Disassemble FRONT PANEL 37
- Remove Screw J1,J2
- Disassemble PCB BRACKET
- Disassemble CONTROL BOARD
- Disassemble POWER BOARD 43

WATERTANK ASSY 34

HOSE CORD CAP 36

BOILER ASSY 38

BRAIDED RUBBER HOSE - BOILER

PUMP ASSY 45

INLET TUBE - PUMP

DE-AIR TUBE

RINSE RUBBER COUPLING 50

RINSE BUSH

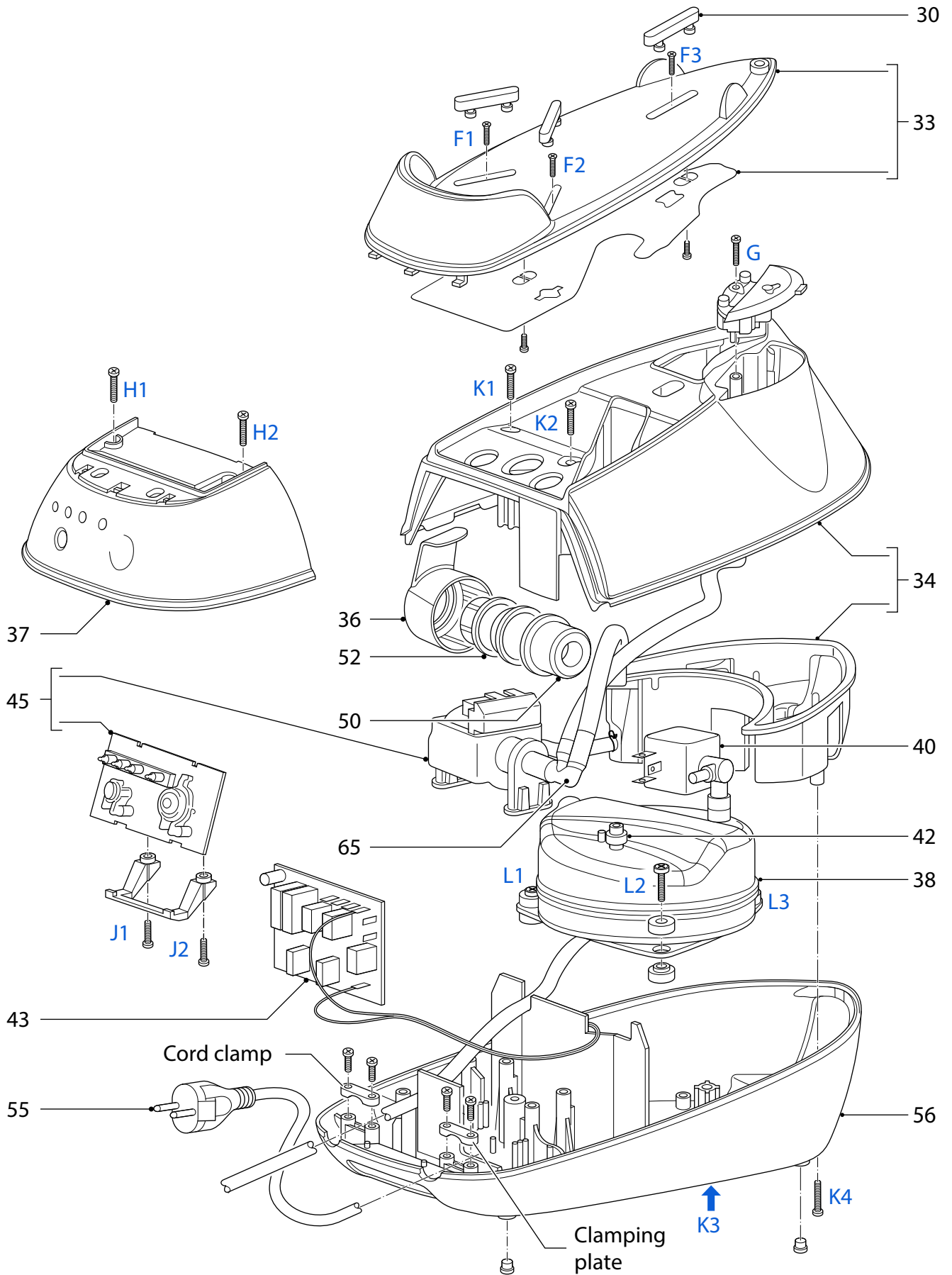
RINSE CAP ASSY 52

- Remove TRAY RUBBER CAP 30 (3x)
- Remove Screw F1,F2,F3
- Disassemble TRAY ASSY 33
- Remove Screw H1,H2
- Disassemble FRONT PANEL 37
- Disassemble HOSE CORD CAP 36
- Disassemble RINSE CAP ASSY 52
- Disassemble RINSE BUSH
- Disassemble RINSE RUBBER COUPLING 50
- Remove Screws K1,K2,K3,K4
- Disconnect INLET TUBE - PUMP
- Disconnect DE-AIR TUBE
- Disassemble WATERTANK ASSY 34
- Disassemble BRAIDED RUBBER HOSE - BOILER
- Disassemble PUMP ASSY 45
- Remove Torx screws L1,L2,L3
- Disassemble TOP SPACER
- Disassemble BOILER ASSY 38

PARTS LIST - STAND

Pos	Service code	Description	Remark
30	4239 015 60291	Tray rubber cap	Smoke
33	4239 021 68791	Tray assy	White
34	4239 021 78991	Water tank assy	
36	4239 026 48341	Hose cord knob	Dark blue
37	4239 021 68761	Front panel	Printed
38	4239 021 39541	Boiler assy	High End
40	2922 021 99016	Electrovalve	
42	4239 010 10261	Inox clamp	

Pos	Service code	Description	Remark
43	4239 021 68613	Power board	
45	4239 021 68623	Control board	
50	4239 015 56761	Rinse rubber coupling	
52	4239 021 68731	Rinse cap assy	Dark blue
55	2422 070 98369	Cord set	EU
56	4239 021 68721	Stand bottom assy	White
65	4239 026 42081	De-air valve	High End



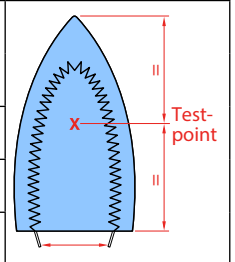
- Due to the high wattage of the iron, only the specified cord set must be used.
- Should damage be observed on the HOSE-CORD ASSY or CORDSET 55, they must be replaced. Continued usage is not allowed.
- When replacing the MICROSWITCH ASSY 9, please dress the 2 attached wires such that they are free of tension. Pulling force on the wires may affect the steam triggering.
- To avoid damage to the sealing & components of the BOILER ASSY 38, NEVER clean the boiler assy with vinegar, descaling agent or other corrosive chemicals.
- When replacing ELECTROVALVE 40 or PUMP ASSY 45, please be reminded to apply loctite at the joints for good sealing.
- After the product has been repaired, it should function properly and has to meet the safety requirements & legal regulations as laid down & officially established at this moment.
- The following tests are common checks that are conducted on a repaired product before it is returned to the consumer.

1. Soleplate temperature

Check that soleplate temperature is within IEC requirement.

Measure the temperature of the soleplate after the iron has reached steady state i.e connected to the mains for at least 15 minutes. The table below shows the temperature requirement.

Marking	Soleplate temperature (Deg C)			Material, for example
	Minimum	Maximum	Nominal + Tolerance	
• (1 dot)	70	120	95 ± 25	Acetate, elastane, polyamide, polypropylene
•• (2 dots)	100	160	130 ± 30	Cupro, polyester, silk, triacetate, viscose, wool
••• (3 dots)	140	210	175 ± 35	Cotton, linen



2. Leakage current

Check that leakage current is within IEC requirement.

Measure leakage current between LIVE/NEUTRAL & EARTH.

IEC requirement is that at 230V supply, the EARTH leakage current must be less than 0.75 mA.

3. Water leakage / Functionality

Check that there is no water leakage from any part of the product during operation.

Check that the functionality of the product (product dependent) eg. steaming, variable steam, SOS, ASO etc is working properly.

4. Loose part

Check that there are no loose parts eg. extra screw in the product that can cause short-circuit or product malfunction.

