



Philips Consumer Lifestyle

Version 1

Service Manual

22 - Mar - 2016

PRODUCT INFORMATION

Fast & powerful crease removal

- Soleplate: T-ionicGlide
- OptimalTemp Technology
- Steam output
- Vertical steam
- Steam pressure: Up to 5.5 bar
- Steam tip
- Power: 2400 W
- Steam boost: 270 g
- Continuous steam output: 120 g/min

Easy to use

- Water tank capacity: 1500 ml
- Filling and emptying water: Extra large filling hole
- Refill any time
- Heat-up time: 2 min
- Hose storage: Hose storage compartment
- Storage solution: Carry lock
- Cord storage: Cord clip
- Hose length: 1.6 m
- Safe for all fabrics: Even for delicates like silks
- Power cord length: 1.8 m

Sustainability

- ECO setting: 30% energy reduction

Calc management

- Calc clean solution: Demineralized water

Safety Information

- This product meets the requirements regarding interference suppression on radio and TV.
- After the product has been repaired, it should function properly and has to meet the safety requirements and legal regulations as officially laid down at this moment.

TECHNICAL INFORMATION

Voltage	: 220 - 240 V
Frequency	: 50 - 60 Hz
Power	: 2800 W
Dimension (F-box)	: 400 (L) x 230 (W) x 280 (H) mm
Weight of iron	: 1.20 kg

Demineralized water only

PerfectCare Pure is designed to be used only with demineralized or distilled water. Demineralized or distilled water prevent your appliance from scale damage, your appliance will deliver powerful and clean steam for very long. Tap water filtered by the Philips IronCare filtering jug works perfectly well. The product should not be used with tap water, perfumed water nor Brita filtered water.

Compact and light

The compact design makes your appliance easy to storage. Space will never be an issue again! As it is very light, your appliance is easy to carry. Its light weight iron will make your ironing much more comfortable.

OptimalTemp Technology

OptimalTemp Technology from the PerfectCare steam generator always delivers one perfect setting for all your clothes thanks to:

- Advanced Smart Control Processor
- Centrifugal steam chamber.

Tested and approved by experts

Tested and approved by independent textile experts institutes.

INLAY 10
IRON PCBA 6
TRIGGER 9
CHASSIS 8
HOUSING & LIGHT RING ASSY 4
DOSING HEAD 2

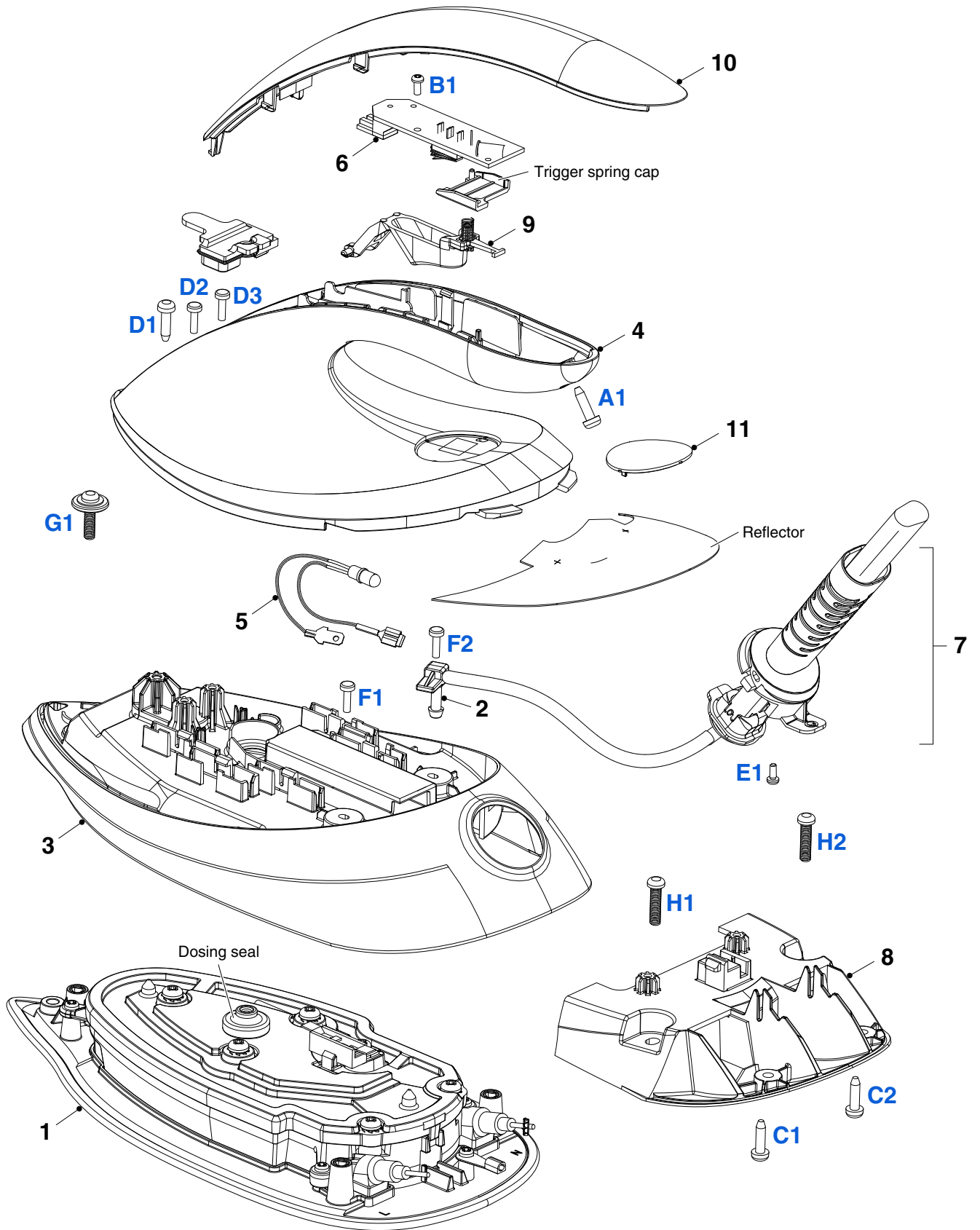
- Remove **Screw A1**
- Remove **INLAY 10**
- Remove **Screw B1**
- Remove **IRON PCBA 6**
- Remove **TRIGGER 9**
- Remove **Screws C1, C2**
- Remove **CHASSIS 8**
- Remove **Screws D1, D2, D3**
- Remove **HOUSING & LIGHT RING ASSY 4**
- Remove **DOSING HEAD 2**

LED ASSY 5
HOSE CORD MTD ASSY 7
COVER 3
SOLEPLATE ASSY 1

- Remove **Screw A1**
- Remove **INLAY 10**
- Remove **Screw B1**
- Remove **IRON PCBA 6**
- Remove **TRIGGER 9**
- Remove **Screws C1, C2**
- Remove **CHASSIS 8**
- Remove **Screws D1, D2, D3**
- Remove **HOUSING & LIGHT RING ASSY 4**
- Remove **DOSING HEAD 2**
- Remove **LED ASSY 5**
- Remove **Screw E1**
- Remove **HOSE CORD MTD ASSY 7**
- Remove **Screws F1, F2, G1**
- Remove **COVER 3**
- Remove **Screws H1, H2**
- Remove **SOLEPLATE ASSY 1**

PARTS LIST - IRON

Pos	Service code	Description
1	4239 021 77141	Soleplate MTD assy 230V/2200W
2	4239 026 53722	Dosing head
3	4239 026 53733	Cover
4	4239 021 79523	Housing & Light ring assy printed
5	4239 021 78811	LED assy
6	4239 021 97071	Iron PCBA
7	4239 021 77357	Hose cord MTD assy
8	4239 026 53774	Chassis
9	4239 026 53785	Trigger
10	4239 026 53814	Inlay
11	4239 021 79532	Deco plate assy printed



TRAY CAP 20
TRAY RUBBER FRONT 19
TRAY RUBBER 18
TRAY 17
CARTRIDGE LID 27
STAND BOTTOM 31
STAND BOTTOM CAP 12
WATER TANK ASSY 21
FRONT LOCK 28

- Remove TRAY CAP 20
- Remove Screws A1, A2
- Remove TRAY RUBBER FRONT 19
- Remove TRAY RUBBER 18
- Remove Screws B1, B2, B3, B4
- Remove TRAY 17
- Remove CARTRIDGE LID 27
- Remove Screws C1, C2, C3, C4, C5, C6
- Remove STAND BOTTOM 31
- Remove Screw D1
- Remove STAND BOTTOM CAP 12
- Remove WATER TANK ASSY 21
- Remove Screws H1, H2
- Remove FRONT LOCK 28

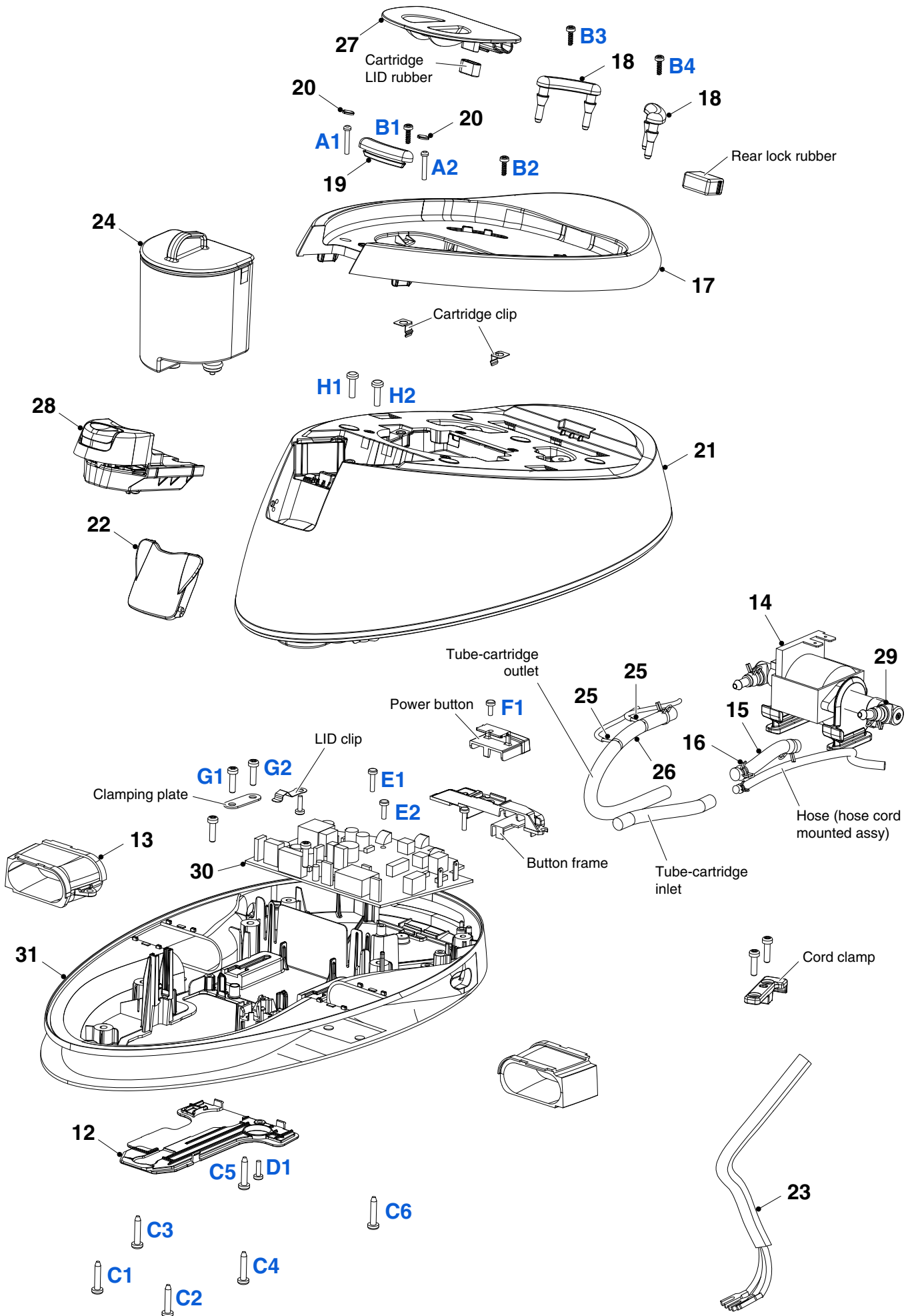
FILLING DOOR 22
POWER BOARD PCBA 30
PUMP ASSY 14
POWER BUTTON
MAINS CORD 23

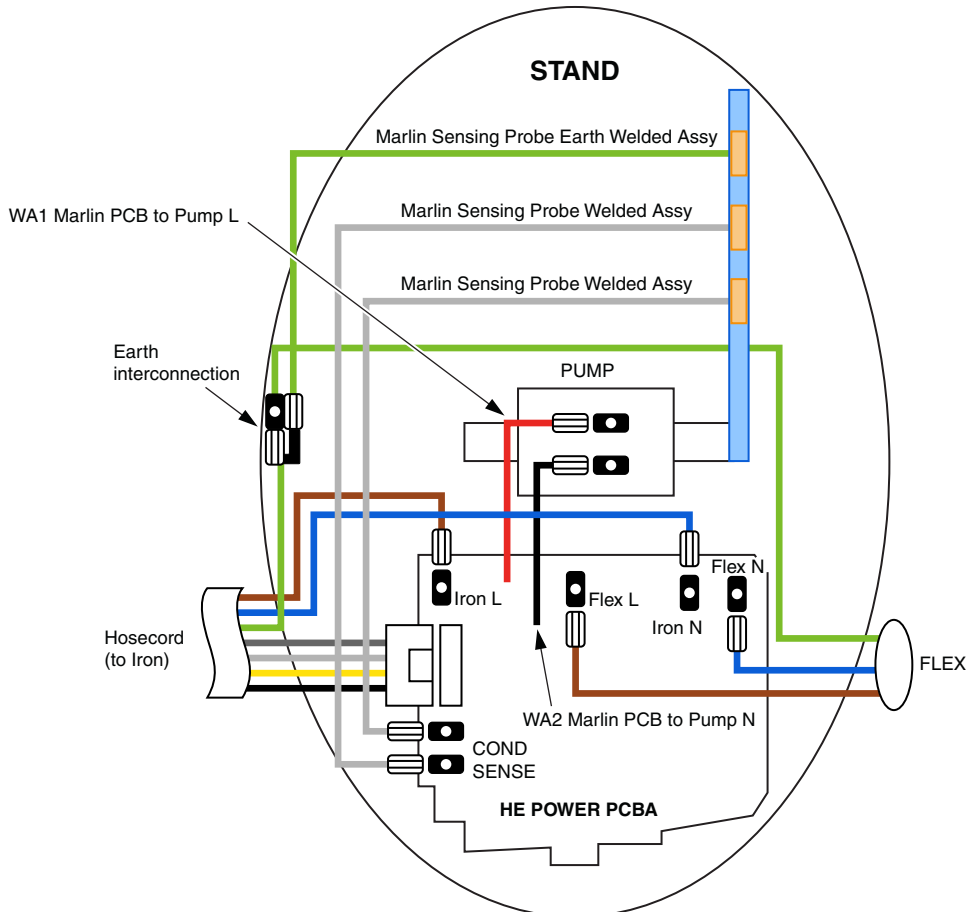
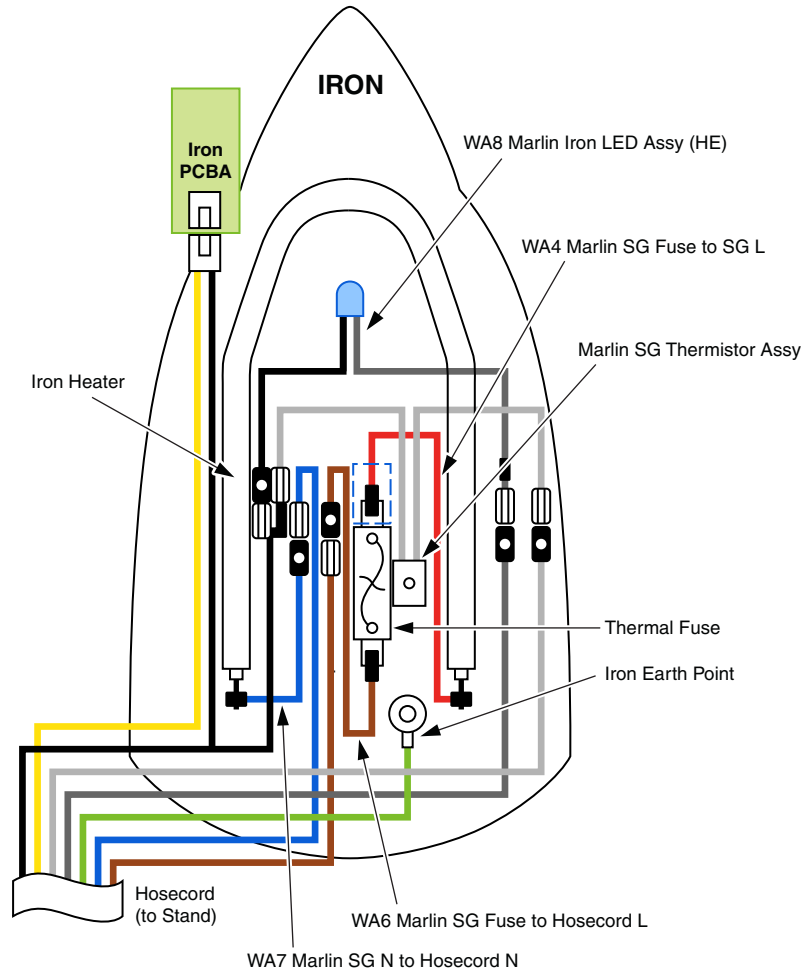
- Remove TRAY CAP 20
- Remove Screws A1, A2
- Remove TRAY RUBBER FRONT 19
- Remove TRAY RUBBER 18
- Remove Screws B1, B2, B3, B4
- Remove TRAY 17
- Remove Screws C1, C2, C3, C4, C5, C6
- Remove STAND BOTTOM 31
- Remove Screw D1
- Remove STAND BOTTOM CAP 12
- Remove WATER TANK ASSY 21
- Remove FILLING DOOR 22
- Remove Screws E1, E2
- Remove POWER BOARD PCBA 30
- Remove PUMP ASSY 14
- Remove Screw F1
- Remove POWER BUTTON
- Remove Screws G1, G2
- Remove MAINS CORD 23

PARTS LIST - STAND

Pos	Service code	Description
12	4239 026 65921	Stand bottom cap
13	4239 026 53862	Belt loop right
14	4239 021 81342	Pump mounted assy HE
15	4239 015 60543	Tube-Pump outlet
16	4239 010 13341	Hose clip
17	4239 021 93801	Tray (HE) (lock) printed
18	4239 015 60431	Tray rubber
19	4239 015 60442	Tray rubber front
20	4239 026 57141	Tray cap
21	4239 021 79565	Water tank (HE) welded assy

Pos	Service code	Description
22	4239 026 54022	Filling door
23	2422 070 98399	Mains cord
24	4239 021 78465	Cartridge welded assy
25	4239 021 77724	Sensing probe welded assy
26	4239 015 60412	Tube-Probe interconnect
27	4239 026 65911	Cartridge lid
28	4239 021 95422	Front lock assy GC7642
29	4239 010 13294	Flow restrictor
30	4239 021 97062	HE Power board PCBA
31	4239 030 01221	Stand bottom printed





- Due to the high wattage of the iron, only the specified cord set must be used.
- Should damage be observed on the **MAINS CORD 23**, it must be replaced. Continued usage is not allowed.
- If **STAND BOTTOM 31** is provided without type plate information eg. Type number, voltage etc. When replacing the cover, engrave the type number & voltage on the type plate with a sharp object.
- After the product has been repaired, it should function properly and has to meet the safety requirements & legal regulation as laid down & officially established at this moment.
- The following tests are common checks that are conducted on a repaired product before it is returned to the consumer.

1. Soleplate temperature

Check that soleplate temperature is within IEC requirement.

Soleplate temperature (Deg C)		Materials, for example	
Minimum	Maximum		
120	143	All fabric types	

2. Leakage current

Check that leakage current is within IEC requirement.
 Measure leakage current between LIVE/NEUTRAL & EARTH.
 IEC requirement is that at 230 V supply, the EARTH leakage current must be less than 0.75 mA.

3. Water leakage / Functionality

Check that there is no water leakage from any part of the product during operation.
 Check that the functionality of the product (product dependent) eg. Steaming, steam trigger, variable steam, SOS, PCBA etc is working properly.

4. Loose part

Check that there are no loose parts eg. Extra screws in the product that can cause short-circuit or product malfunctions.

5. Fuse open circuit

When replacing fuse, to also service the water tubes which is probably choked with calc.

6. PCBAs ESD control

All failed PCBAs including to be packed with ESD bags for shipment.

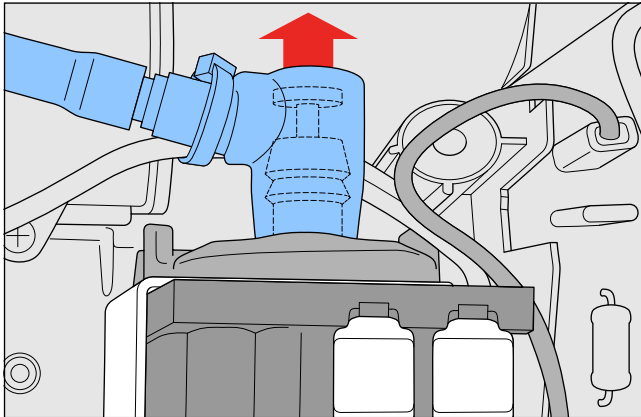
7. Screws

Screws should be the defined screws in terms of length and material used.

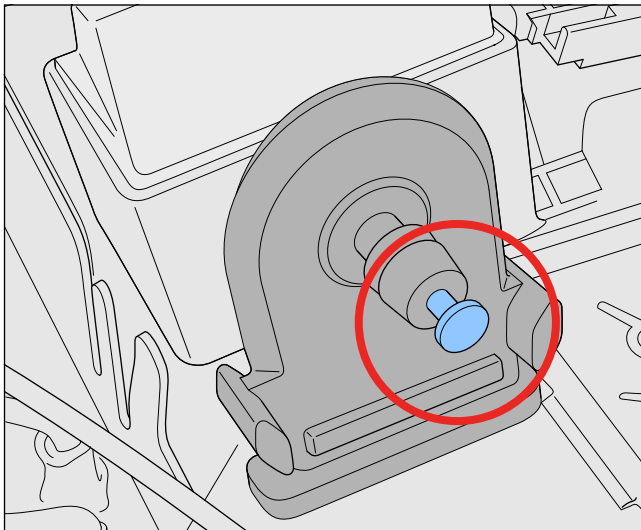
8. Pump - Cleaning restrictor

Service center to perform pump restrictor cleaning via following step if observe pump not pumping water:

1. De-assemble water tube of pump.



2. Clean restrictor via sharp object.

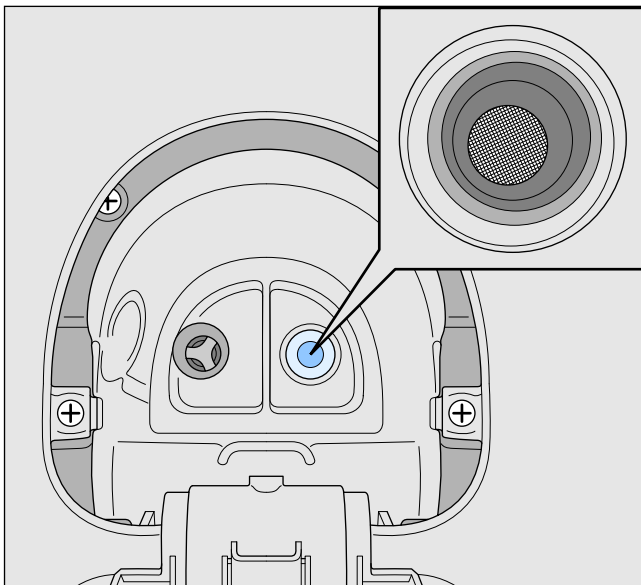


3. Re-assemble stand

9. Cartridge compartment - Cleaning

Service center to perform cleaning of Cartridge compartment via following step:

1. Open Cartridge lid of stand.
2. Clean out any residue located on the mesh.



Version I: Created on Mar 2016