

Service
Service
Service



Philips Consumer Lifestyle

ServiceManual

PRODUCT INFORMATION

Fast & powerful crease removal

- Soleplate: SteamGlide
- OptimalTemp
- Steam boost: 330 g
- Continuous steam output: 120 g/min
- Vertical steam
- Steam pressure: Up to 6.2 bar
- Steam tip
- Power: 2400W

Easy to use

- Water tank capacity: 2500 ml
- Filling and emptying water: Extra large filling hole
- Refill any time
- Heat-up time: 2 min
- Safety auto off
- Storage solution: Carry lock
- Hose storage: Hose storage compartment
- Power cord length: 1.8 m
- Hose length: 1.6 m
- Safe for all fabrics: Even for delicates like silks
- Low water alarm

Calc management

- Suitable for tap water
- Calc clean solution: Easy De-calc
- Calc clean reminder

Safety Information

- This product meets the requirements regarding interference suppression on radio and TV.
- After the product has been repaired, it should function properly and has to meet the safety requirements and legal regulations as officially laid down at this moment.

Voltage	: 220 - 240V
Frequency	: 50 - 60 Hz
Power	: 2400W
Dimension (F-box)	: 362 (D) x 270 (W) x 263 (H) mm
Weight of iron	: 1 kg
Weight of iron + base	: 4.5 kg

Water advice

Suitable for tap water use. Advice to mix with equal portion of distilled water or use only distilled water if the tap water is very hard.

Soleplate: T-IonicGlide

The T-IonicGlide soleplate is the best Philips soleplate. It has great scratch resistancy, glides excellent and is easy to clean.

OptimalTempTechnology

- Always deliver 1 perfect setting for all your clothes thanks to:
 1. Cylonic steam chamber
 2. Advance Smart control processor
- 100% easy to use, no adjustment required.
- 100% safe on all delicate fabrics.
- 100% fast on the toughest fabrics.

Tested and approved by experts

Tested and approved by independent textile experts institutes.

Steam pressure: Up to 6.2 bar

Double your ironing speed with pressurized steam.

2.5L fully visible water tank

Large water tank ensures long hours of ironing without refill of water tank.

Lock your iron securely

Lock your iron securely and carry your steam generator easily.

Easy De-Calc

Easy De-Calc, hassle free & effective scale removal to extend the life of your steam generator.

- LIGHT STRIP CAP ASSY 1
- INLAY AND LIGHT STRIP ASSY 2
- REFLECTOR MOLDED 3
- LED MICROSWITCH HOLDER ASSY 4
- TRIGGER SPRING 5
- TRIGGER MOLDED 6
- MICA PLATE 7
- PLASTIC WASHER (1x) 8 (FRONT)
- DECORATION CAP PRINTED 9

Remove Screw A
 Disassemble LIGHT STRIP 1

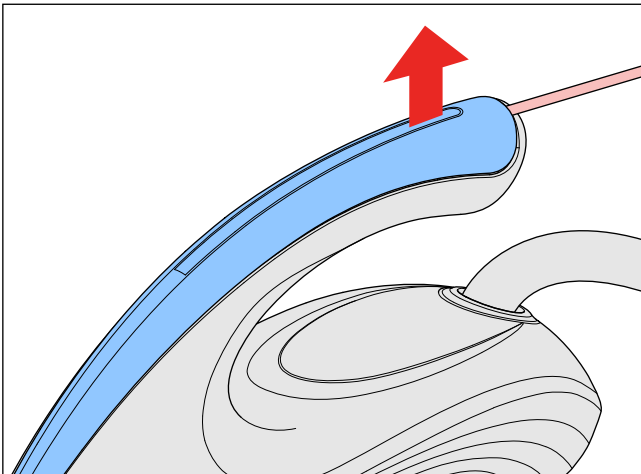


Fig 1. Using “-” screw driver to lift up the Inlay and release the catch at the end of the handle.

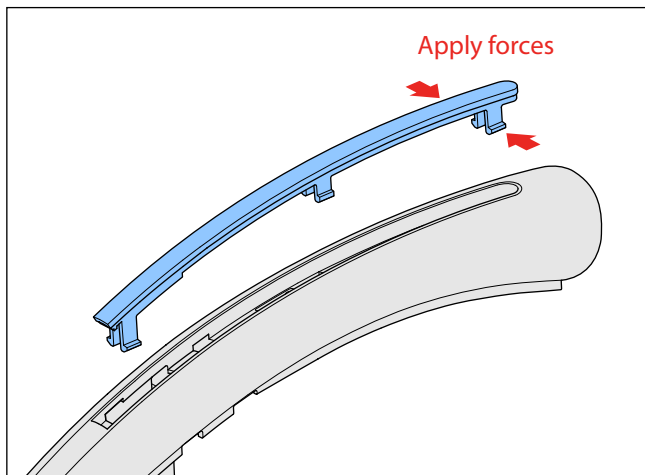


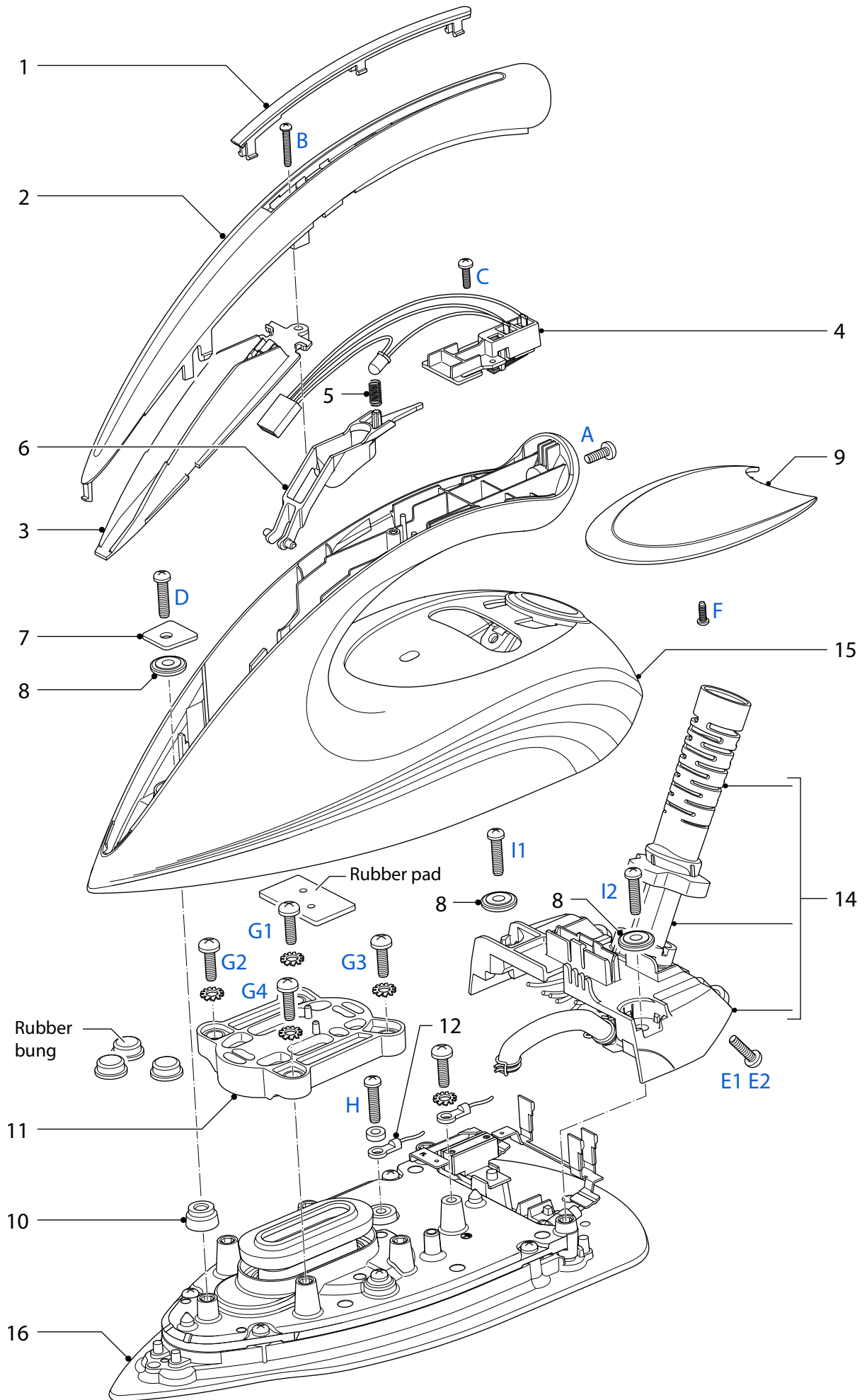
Fig 2. Position of the catch to be applied forces at the end of the handle.

Remove Screw B
 Disassemble INLAY AND LIGHT STRIP ASSY 2
 Disassemble REFLECTOR MOLDED 3
 Remove Screw C
 Disassemble LED MICROSWITCH HOLDER ASSY 4
 Disassemble TRIGGER SPRING 5
 Disassemble TRIGGER MOLDED 6
 Remove Screw D
 Disassemble MICA PLATE 7
 Disassemble PLASTIC WASHER (1x) 8
 Remove Screw E1, E2
 Remove Screw F
 Disassemble DECORATION CAP PRINTED 9

- RYTON RING 10
- DEVIATOR HOUSING MOLDED 11
- IRON THERMISTOR ASSY 12
- PLSTIC WASHER (2x) 8 (REAR)
- HOSE CORD MOUNTED ASSY 14
- HOUSING PRINTED 15
- SOLEPLATE MOUNTED ASSY 16

Remove Screw A
 Disassemble LIGHT STRIP 1
 Remove Screw B
 Disassemble INLAY AND LIGHT STRIP ASSY 2
 Disassemble REFLECTOR MOLDED 3
 Remove Screw C
 Remove Screw E1, E2
 Remove Screw D
 Disassemble MICA PLATE 7
 Disassemble PLASTIC WASHER (1x) 8
 Disassemble RYTON RING 10
 Remove Screw G1, G2, G3, G4
 Disassemble DEVIATOR HOUSING MOLDED 11
 Remove Screw H
 Disassemble IRON THERMISTOR ASSY 12
 Remove Screw I1, I2
 Disassemble PLASTIC WASHER (2x) 8
 Disconnect Wires
 Release Hose clip (2x)
 Remove Screw J
 Disconnect Wires
 Disassemble HOSE CORD MOUNTED ASSY 14
 Disassemble HOUSING PRINTED 15
 Disassemble SOLEPLATE MOUNTED ASSY 16

Pos	Service code	Description
1		Light strip cap assy
2	4239 021 76361	Inlay and light strip assy
3	4239 026 49561	Reflector molded
4	4239 021 71942	LED microswitch holder assy
5	4239 014 54961	Trigger spring
6	4239 026 56691	Trigger molded
7	4239 010 12911	Mica plate
8	4239 026 49501	Plastic washer
9	4239 021 70741	Decoration cap printed
10	4239 015 70153	Ryton ring
11	4239 026 49491	Deviator housing molded
12	4239 021 69942	Iron thermistor assy
14	4239 021 70705	Hose cord mounted assy
15	4239 021 80631	Housing printed
16	4239 021 80621	Soleplate mounted assy



FILLING DOOR MOLDED 17
REAR LOCK RUBBER 18
TRAY RUBBER CAP 19
TRAY CAP MOLDED 20
TRAY PRINTED 21
FRONT LOCK ASSY 22
WATER TANK ASSY 23

- Disassemble FILLING DOOR MOLDED 17
- Disassemble REAR LOCK RUBBER 18
- Remove TRAY RUBBER CAP 19 (4x)
- Remove Screw K1, K2, K3, K4
- Remove TRAY CAP MOLDED 20 (2x)
- Remove Screw L1, L2
- Disassemble TRAY PRINTED 21
- Remove Screw M1, M2
- Disassemble FRONT LOCK ASSY 22
- Remove Screw N1, N2, N3, N4, N5
- Disassemble WATERTANK ASSY 23

RINSE CAP ASSY 24
SAFETY CAP 25
INOX CLAMP 26
BRAIDED RUBBER HOSE BOILER 27
ELECTROVALVE 28
SPACER TOP 29
RINSE HOUSING CAP PRINTED 30
RINSE HOUSING MOLDED 31
O-RING 32
BOILER ASSY 33
BOILER SUPPORT BRACKET 34
SPACER BOTTOM 35
BOILER THERMISTOR ASSY 36

- Disassemble RINSE CAP ASSY 24
- Remove Screw N1, N2, N3, N4, N5
- Disassemble WATERTANK ASSY 23
- Remove SAFETY CAP 25
- Release INOX CLAMP 26 (2x)
- Disassemble BRAIDED RUBBER HOSE BOILER 27
- Release Hose clip
- Disconnect Wires
- Disassemble ELECTROVALVE 28
- Remove Screw O1, O2
- Remove Screw P
- Remove SPACERTOP 29
- Remove Screw Q
- Disassemble RINSE HOUSING CAP PRINTED 30
- Remove Screw R
- Disassemble RINSE HOUSING MOLDED 31
- Disassemble O-RING 32
- Disassemble BOILER ASSY 33
- Disassemble BOILER SUPPORT BRACKET 34
- Remove SPACER BOTTOM 35
- Disassemble BOILER THERMISTOR ASSY 36

POWER BUTTON PRINTED 37

BUTTON FRAME PRINTED 38

POWER BOARD PCB-PUMP
SERVICE KIT 39

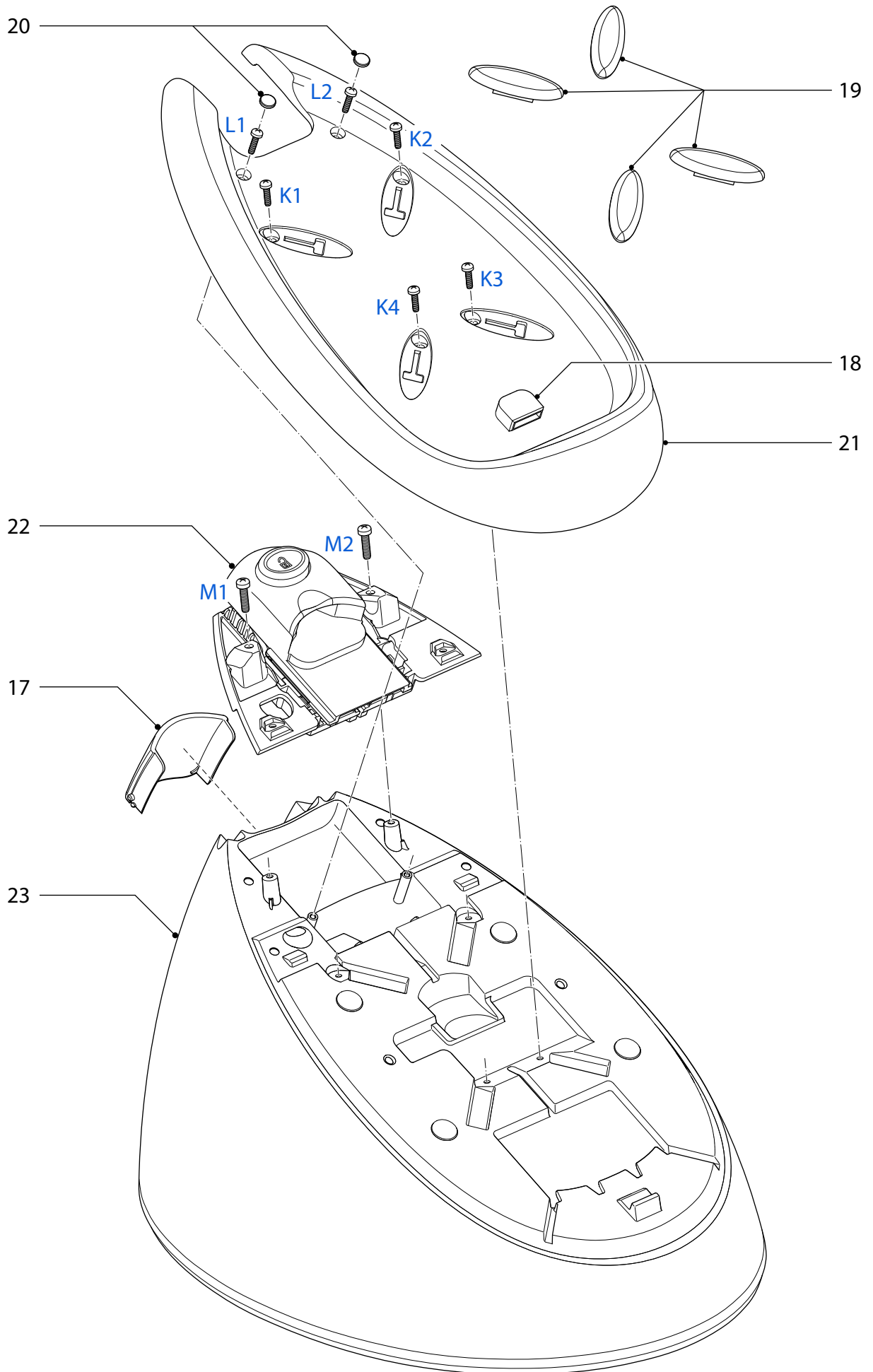
POWER CORD EU 40

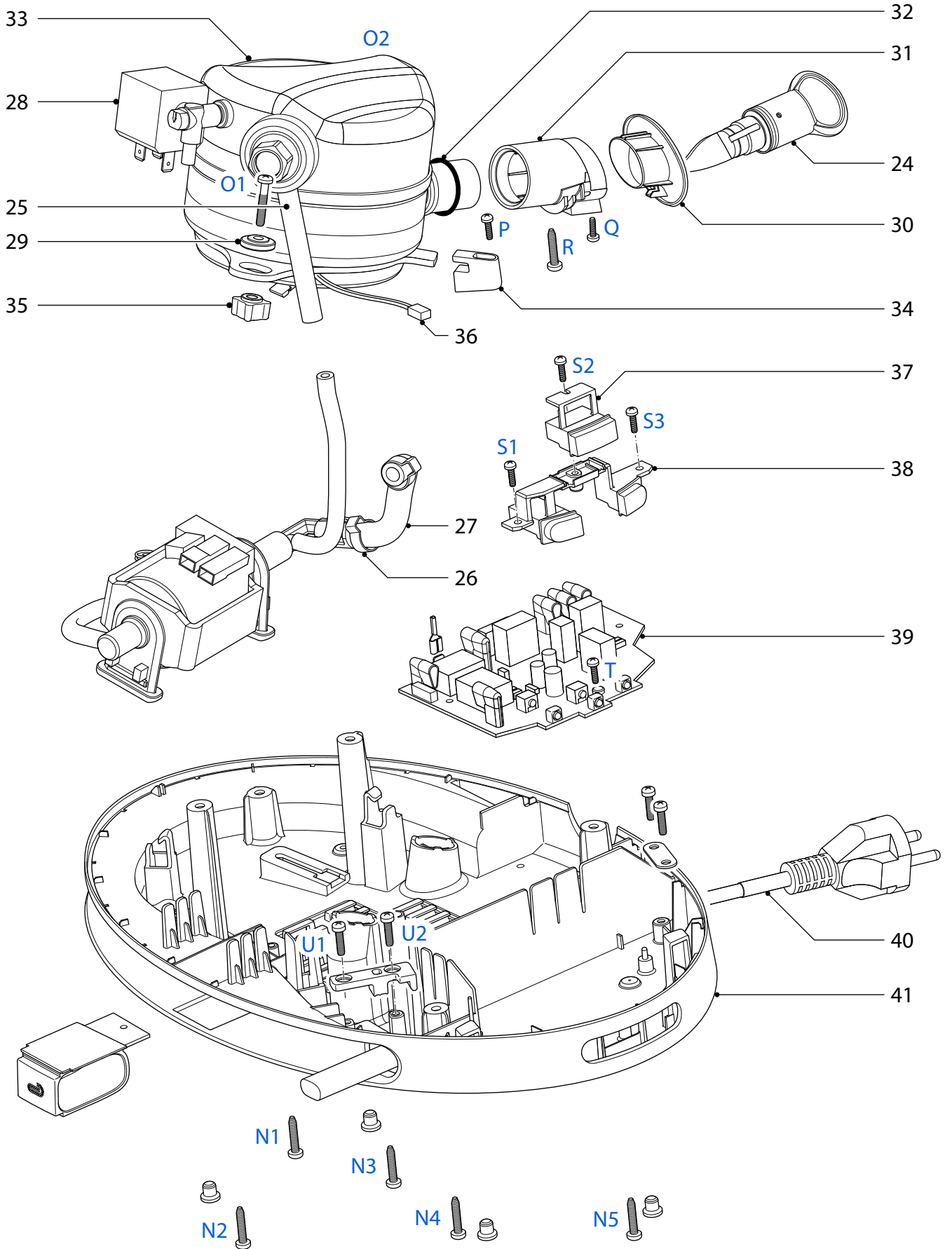
STAND BOTTOM MOLDED 41

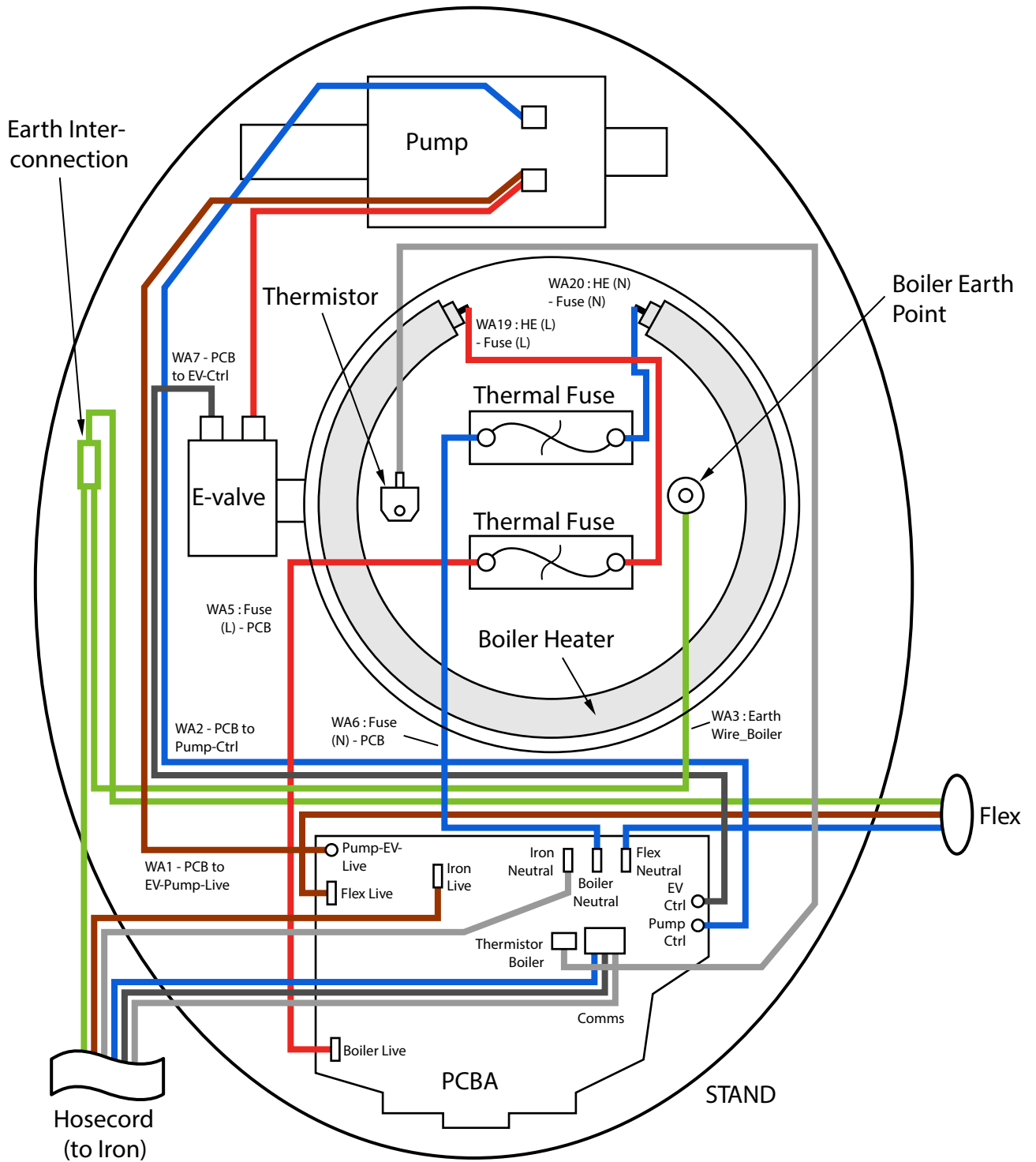
Remove	Screw N1, N2, N3, N4, N5
Disassemble	WATERTANK ASSY 23
Remove	Screw S1, S2, S3
Disassemble	POWER BUTTON PRINTED 37
Disassemble	BUTTON FRAME PRINTED 38
Remove	Screw T
Release	INOX CLAMP 26 (2x)
Disassemble	BRAIDED RUBBER HOSE BOILER 27
Disconnect	Wires
Disassemble	POWER BOARD PCB-PUMP SERVICE KIT 39
Remove	Screw U1, U2
Disassemble	Cord clamp
Disassemble	POWER CORD EU 40
Disassemble	STAND BOTTOM MOLDED 41

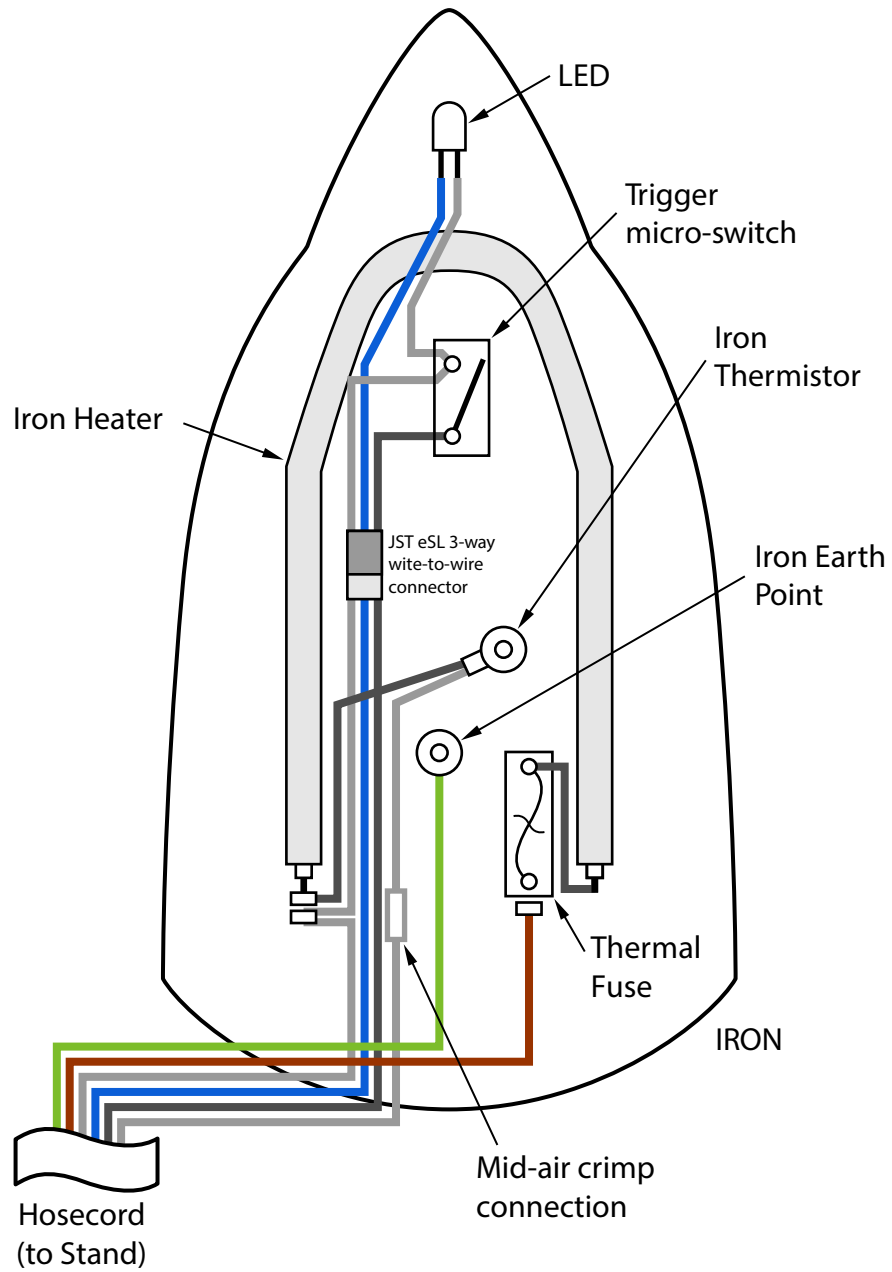
PARTS LIST - STAND

Pos	Service code	Description
17	4239 026 49714	Filling door molded
18	4239 015 59741	Rear lock rubber
19	4239 015 59731	Tray rubber cap
20	4239 026 56681	Tray cap molded
21	4239 021 80591	Tray printed
22		Front lock assy
23	4239 021 80611	Water tank assy
24	4239 021 71672	Rinse cap assy
25	4239 015 59791	Safety cap
26	4239 010 10261	Inox clamp
27	4239 015 59771	Braided rubber hose Boiler
28		Electrovalve
29	4239 026 51241	Spacer top
30	4239 021 80601	Rinse housing cap printed
31	4239 026 49732	Rinse housing molded
32	4239 015 59751	O-ring
33	4239 021 69892	Boiler assy
34	4239 026 42581	Boiler support bracket
35	4239 026 32181	Spacer bottom
36	4239 021 69951	Boiler thermistor assy
37	4239 021 70773	Power button printed
38	4239 021 70764	Button frame printed
39	4239 021 69967	Power board PCB-Pump service kit
40	2422 070 98401	Power Cord EU/Korea
41	4239 026 56671	Stand bottom molded









- Due to the high wattage of the iron, only the specified cord set must be used.
- Should damage be observed on the HOSE-CORD ASSY 14 or CORDSET 40, they must be replaced. Continued usage is not allowed.
- When replacing the MICROSWITCH ASSY 4, please dress the 2 attached wires such that they are free of tension. Pulling force on the wires may affect the steam triggering.
- To avoid damage to the sealing & components of the BOILER ASSY 33, NEVER clean the boiler assy with vinegar, descaling agent or other corrosive chemicals.
- When replacing ELECTROVALVE 28 or PUMP ASSY 39, please be reminded to apply loctite at the joints for good sealing.
- After the product has been repaired, it should function properly and has to meet the safety requirements & legal regulations as laid down & officially established at this moment.
- The following tests are common checks that are conducted on a repaired product before it is returned to the consumer.

1. Soleplate temperature

Check that soleplate temperature is within IEC requirement.

Measure the temperature of the soleplate after the iron has reached steady state i.e connected to the mains for at least 15 minutes. The table below shows the temperature requirement.

Soleplate temperature (Deg C)		Materials, for example	
Minimum	Maximum		
120	143	All fabric types	

2. Leakage current

Check that leakage current is within IEC requirement.

Measure leakage current between LIVE/NEUTRAL & EARTH.

IEC requirement is that at 230V supply, the EARTH leakage current must be less than 0.75 mA.

3. Water leakage / Functionality

Check that there is no water leakage from any part of the product during operation.

Check that the functionality of the product (product dependent) eg. steaming, variable steam, SOS, ASO etc is working properly.

4. Loose part

Check that there are no loose parts eg. extra screw in the product that can cause short-circuit or product malfunction.