

PerfectCare Aqua and Aqua Upgrade

Service
Service
Service

GC8615	GC8621	GC8630	GC8643
GC8616	GC8622	GC8635	GC8644
GC8619	GC8623	GC8636	GC8650
GC8620	GC8624	GC8638	GC8651
	GC8625	GC8640	GC8652
	GC8626	GC8641	RI8640
	GC8627	GC8642	RI8645

Philips Consumer Lifestyle

Version 1

Service Manual

17-Mar-2016

Product information

Fast & powerful crease removal

- OptimalTemp
- Continuous steam output: 90 - 120 g/min
- Vertical steam
- Steam pressure: 4 - 6.3 bar
- Steam tip
- Power: 1800 - 2400 W

Easy to use

- Water tank capacity: 2200 - 2500 ml
- Filling and emptying water: Extra large filling hole
- Refill any time
- Heat-up time: 2 min
- Hose storage: Hose storage compartment
- Power cord length: 1.8 m
- Hose length: 1.6 m
- Safe for all fabrics: Even for delicates like silks
- Low water alarm

Calc management

- Suitable for tap water
- Calc clean solution: Easy De-calc
- Calc clean reminder

Safety Information

- This product meets the requirements regarding interference suppression on radio and TV.
- After the product has been repaired, it should function properly and has to meet the safety requirements and legal regulations as officially laid down at this moment.

Technical information

- Dimension (F-box) : 362 x 270 x 263 mm (D x W x H)
- Weight of iron : 1 kg
- Weight of iron + base : 4.5 kg

Water advice

Suitable for tap water use. Advice to mix with equal portion of distilled water or use only distilled water if the tap water is very hard.

Soleplate: Steam Glide

New SteamGlide soleplate is the best Philips soleplate. It has great scratch resistancy, glides excellent and is easy to clean.

Technical information

GC8615 - RI8645

OptimalTemp Technology

- Always deliver 1 perfect setting for all your clothes thanks to:
 1. Cylonic steam chamber
 2. Advance Smart control processor
- 100% easy to use, no adjustment required.
- 100% safe on all delicate fabrics.
- 100% fast on the toughest fabrics.

Tested and approved by experts

Tested and approved by independent textile experts institutes.

Steam pressure: Up to 5 bar

Double your ironing speed with pressurized steam.

2.2L fully visible water tank

Large water tank ensures long hours of ironing without refill of water tank.

Lock your iron securely

Lock your iron securely and carry your steam generator easily.

Easy De- Calc

Easy De- Calc, hassle free & effective scale removal to extend the life of your steam generator.

Product matrix



Model Number	GC8615/02 GC8615/07	GC8616/30 GC8616/31 GC8616/97	GC8619/30	GC8620/02 GC8620/07
Power	2400 W	2400 W	2400 W	2400 W
Voltage	220-240V / 50-60Hz	220-240V / 50-60Hz	220-240V / 50-60Hz	220-240V / 50-60Hz
Heat-up time	2 min	2 min	2 min	2 min
OptimalTEMP	Yes	Yes	Yes	Yes
Steam pressure	Up to 5 bar	Up to 5 bar	Up to 5.3 bar	Up to 5 bar
Continuous Steam	120 g/min	120 g/min	120 g/min	120 g/min
Steam boost	No	240 g	260 g	180 g
Vertical steam	Yes	Yes	Yes	Yes
Soleplate	SteamGlide	SteamGlide	SteamGlide	SteamGlide
Calc clean solution	Easy De-calc	Easy De-calc	Easy De-calc	Easy De-calc
Safety auto off	No	No	No	No
Storage solution	No	No	No	No
Water tank	2200 ml	2500 ml	2500 ml	2200 ml
Power cord length	1.8 m	1.8 m	1.8 m	1.8 m
Hose length	1.6 m	1.7 m	1.7 m	1.7 m



Model Number	GC8621/02	GC8622/20 GC8622/21 GC8622/97	GC8623/20 GC8623/21	GC8624/20
Power	2400 W	2400 W	2400 W	2400 W
Voltage	220-240V / 50-60Hz	220-240V / 50-60Hz	220-240V / 50-60Hz	220-240V / 50-60Hz
Heat-up time	2 min	2 min	2 min	2 min
OptimalTEMP	Yes	Yes	Yes	Yes
Steam pressure	Up to 5 bar	Up to 5.2 bar	Up to 5.3 bar	Up to 5.3 bar
Continuous Steam	120 g/min	120 g/min	120 g/min	120 g/min
Steam boost	180 g	250 g	260 g	265 g
Vertical steam	Yes	Yes	Yes	Yes
Soleplate	SteamGlide	T-ionicGlide	T-ionicGlide	T-ionicGlide
Calc clean solution	Easy De-calc	Easy De-calc	Easy De-calc	Easy De-calc
Safety auto off	No	No	No	No
Storage solution	Carry lock	No	No	No
Water tank	2200 ml	2500 ml	2500 ml	2500 ml
Power cord length	1.8 m	1.8 m	1.8 m	1.8 m
Hose length	1.6 m	1.7 m	1.7 m	1.7 m



Model Number	GC8625/30	GC8626/20	GC8627/30	GC8630/02 GC8630/07
Power	2400 W	2400 W	2400 W	2400 W
Voltage	220-240V / 50-60Hz	220-240V / 50-60Hz	220-240V / 50-60Hz	220-240V / 50-60Hz
Heat-up time	2 min	2 min	2 min	2 min
OptimalTEMP	Yes	Yes	Yes	Yes
Steam pressure	Up to 5.8 bar	Up to 5.8 bar	Up to 5.8 bar	Up to 5 bar
Continuous Steam	120 g/min	120 g/min	120 g/min	120 g/min
Steam boost	300 g	300 g	310 g	220 g
Vertical steam	Yes	Yes	Yes	Yes
Soleplate	SteamGlide Plus	SteamGlide Plus	SteamGlide Plus	SteamGlide
Calc clean solution	Easy De-calc	Easy De-calc	Easy De-calc	Easy De-calc
Safety auto off	No	No	No	Yes
Storage solution	Carry lock	Carry lock	Carry lock	Carry lock
Water tank	2500 ml	2500 ml	2500 ml	2200 ml
Power cord length	1.8 m	1.8 m	1.8 m	1.8 m
Hose length	1.7 m	1.7 m	1.7 m	1.6 m



Model Number	GC8635/02 GC8635/07	GC8636/02 GC8636/97	GC8638/20 GC8638/21	GC8640/02 GC8640/07 GC8640/97
Power	2400 W	2400 W	2400 W	2400 W
Voltage	220-240V / 50-60Hz	220-240V / 50-60Hz	220-240V / 50-60Hz	220-240V / 50-60Hz
Heat-up time	2 min	2 min	2 min	2 min
OptimalTEMP	Yes	Yes	Yes	Yes
Steam pressure	Up to 5 bar	Up to 5 bar	Up to 5.3 bar	Up to 5 bar
Continuous Steam	120 g/min	120 g/min	120 g/min	120 g/min
Steam boost	220 g	220 g	280 g	220 g
Vertical steam	Yes	Yes	Yes	Yes
Soleplate	SteamGlide	SteamGlide	SteamGlide	SteamGlide
Calc clean solution	Easy De-calc	Easy De-calc	Easy De-calc	Easy De-calc
Safety auto off	Yes	Yes	Yes	Yes
Storage solution	Carry lock	Carry lock	Carry lock	Carry lock
Water tank	2200 ml	2200 ml	2500 ml	2200 ml
Power cord length	1.8 m	1.8 m	1.8 m	1.8 m
Hose length	1.6 m	1.6 m	1.7 m	1.6 m



Model Number	GC8641/30 GC8641/31	GC8642/20 GC8642/21	GC8643/30 GC8643/31	GC8644/30 GC8644/31
Power	2400 W	2400 W	2400 W	2400 W
Voltage	220-240V / 50-60Hz	220-240V / 50-60Hz	220-240V / 50-60Hz	220-240V / 50-60Hz
Heat-up time	2 min	2 min	2 min	2 min
OptimalTEMP	Yes	Yes	Yes	Yes
Steam pressure	Up to 5.4 bar	Up to 5.4 bar	Up to 6 bar	Up to 6 bar
Continuous Steam	120 g/min	120 g/min	120 g/min	120 g/min
Steam boost	290 g	290 g	320 g	330 g
Vertical steam	Yes	Yes	Yes	Yes
Soleplate	T-ionicGlide	T-ionicGlide	T-ionicGlide	T-ionicGlide
Calc clean solution	Easy De-calc	Easy De-calc	Easy De-calc	Easy De-calc
Safety auto off	Yes	Yes	Yes	Yes
Storage solution	Carry lock	Carry lock	Carry lock	Carry lock
Water tank	2500 ml	2500 ml	2500 ml	2500 ml
Power cord length	1.8 m	1.8 m	1.8 m	1.8 m
Hose length	1.7 m	1.7 m	1.7 m	1.7 m



Model Number	GC8650/02 GC8650/80 GC8650/81 GC8650/86 GC8650/97	GC8651/10	GC8652/80
Power	2400 W	2400 W	2400 W
Voltage	220-240V / 50-60Hz	220-240V / 50-60Hz	220-240V / 50-60Hz
Heat-up time	2 min	2 min	2 min
OptimalTEMP	Yes	Yes	Yes
Steam pressure	Up to 6.2 bar	Up to 6.2 bar	Up to 6.3 bar
Continuous Steam	120 g/min	120 g/min	120 g/min
Steam boost	330 g	330 g	340 g
Vertical steam	Yes	Yes	Yes
Soleplate	T-ionicGlide	T-ionicGlide	T-ionicGlide
Calc clean solution	Easy De-calc	Easy De-calc	Easy De-calc
Safety auto off	Yes	Yes	Yes
Storage solution	Carry lock	Carry lock	Carry lock
Water tank	2500 ml	2500 ml	2500 ml
Power cord length	1.8 m	1.8 m	1.8 m
Hose length	1.7 m	1.7 m	1.7 m



Model Number	RI8640/02	RI8640/12	RI8645/82	RI8645/84
Power	2000 W	1800 W	2000 W	2000 W
Voltage	220V / 60Hz	127V / 60Hz	220V / 60Hz	127V / 60Hz
Heat-up time	3 min	3 min	3 min	3 min
OptimalTEMP	Yes	Yes	Yes	Yes
Steam pressure	Up to 4 bar	Up to 4 bar	Up to 4 bar	Up to 4 bar
Continuous Steam	90 g/min	90 g/min	90 g/min	90 g/min
Steam boost	200 g	200 g	200 g	200 g
Vertical steam	Yes	Yes	Yes	Yes
Soleplate	SteamGlide	SteamGlide	SteamGlide	SteamGlide
Calc clean solution	Easy De-calc	Easy De-calc	Easy De-calc	Easy De-calc
Safety auto off	Yes	Yes	Yes	Yes
Storage solution	Carry lock	Carry lock	Carry lock	Carry lock
Water tank	2200 ml	2200 ml	2500 ml	2500 ml
Power cord length	1.8 m	1.8 m	1.8 m	1.8 m
Hose length	1.6 m	1.6 m	1.6 m	1.6 m

- LIGHT STRIP CAP ASSY 1
- INLAY AND LIGHT STRIP ASSY 2
- REFLECTOR MOLDED 3
- LED MICROSWITCH HOLDER ASSY 4
- TRIGGER SPRING 5
- TRIGGER MOLDED 6
- MICA PLATE 7
- PLASTIC WASHER (1x) 8 (FRONT)
- DECORATION CAP PRINTED 9

Remove **Screw A**
 Disassemble **LIGHT STRIP 1**

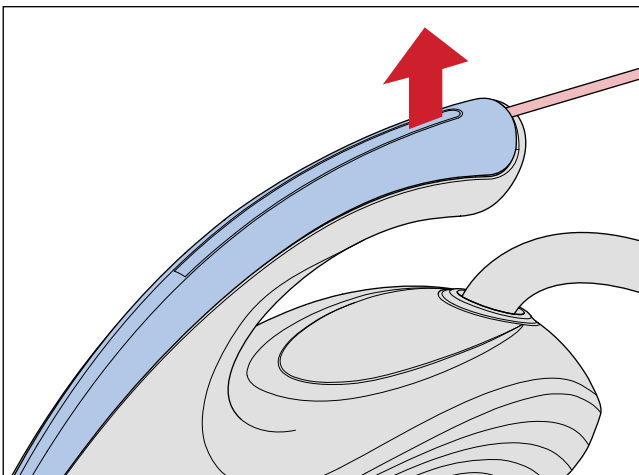


Fig 1. Using “-” screw driver to lift up the Inlay and release the catch at the end of the handle.

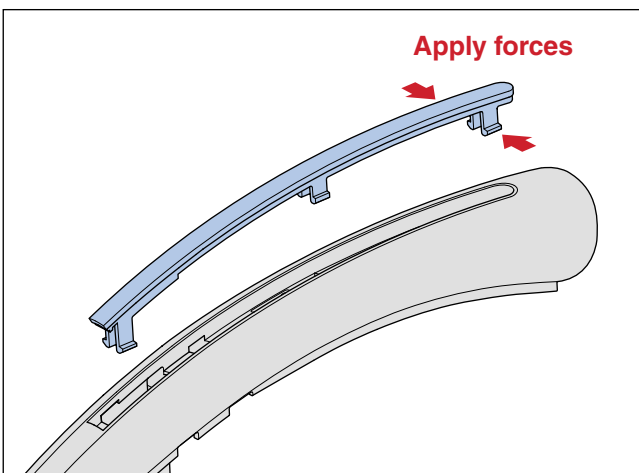


Fig 2. Position of the catch to be applied forces at the end of the handle.

Remove **Screw B**
 Disassemble **INLAY AND LIGHT STRIP ASSY 2**
 Disassemble **REFLECTOR MOLDED 3**
 Remove **Screw C**
 Disassemble **LED MICROSWITCH HOLDER ASSY 4**
 Disassemble **TRIGGER SPRING 5**
 Disassemble **TRIGGER MOLDED 6**
 Remove **Screw D**
 Disassemble **MICA PLATE 7**
 Disassemble **PLASTIC WASHER (1x) 8**
 Remove **Screw E1, E2**
 Remove **Screw F**
 Disassemble **DECORATION CAP PRINTED 9**

- RYTON RING 10
- DEVIATOR HOUSING MOLDED 11
- IRON THERMISTOR ASSY 12
- PLSTIC WASHER (2x) 8 (REAR)
- HOSE CORD MOUNTED ASSY 13
- HOUSING PRINTED 14
- SOLEPLATE MOUNTED ASSY 15

Remove **Screw A**
 Disassemble **LIGHT STRIP 1**
 Remove **Screw B**
 Disassemble **INLAY AND LIGHT STRIP ASSY 2**
 Disassemble **REFLECTOR MOLDED 3**
 Remove **Screw C**
 Remove **Screw E1, E2**
 Remove **Screw D**
 Disassemble **MICA PLATE 7**
 Disassemble **PLASTIC WASHER (1x) 8**
 Disassemble **RYTON RING 10**
 Remove **Screw G1 - G4**
 Disassemble **DEVIATOR HOUSING MOLDED 11**
 Remove **Screw H**
 Disassemble **IRON THERMISTOR ASSY 12**
 Remove **Screw I1, I2**
 Disassemble **PLASTIC WASHER (2x) 8**
 Disconnect **Wires**
 Release **Hose clip (2x)**
 Remove **Screw J**
 Disconnect **Wires**
 Disassemble **HOSE CORD MOUNTED ASSY 13**
 Disassemble **HOUSING PRINTED 14**
 Disassemble **SOLEPLATE MOUNTED ASSY 15**

FILLING DOOR MOLDED 16
REAR LOCK RUBBER 17
TRAY RUBBER CAP 18
TRAY CAP MOLDED 19
TRAY PRINTED 20
FRONT LOCK ASSY 21
WATER TANK ASSY 22

- Disassemble **FILLING DOOR MOLDED 16**
- Disassemble **REAR LOCK RUBBER 17**
- Remove **TRAY RUBBER CAP 18 (4x)**
- Remove **Screw K1 - K4**
- Remove **TRAY CAP MOLDED 19 (2x)**
- Remove **Screw L1, L2**
- Disassemble **TRAY PRINTED 20**
- Remove **Screw M1, M2**
- Disassemble **FRONT LOCK ASSY 21**
- Remove **Screw N1 - N5**
- Disassemble **WATER TANK ASSY 22**

RINSE CAP ASSY 23
SAFETY CAP 24
INOX CLAMP 25
BRAIDED RUBBER HOSE BOILER 26
ELECTROVALVE 27
SPACER TOP 28
RINSE HOUSING CAP PRINTED 29
RINSE HOUSING MOLDED 30
O-RING 31
BOILER ASSY 32
BOILER SUPPORT BRACKET 33
SPACER BOTTOM 34
BOILER THERMISTOR ASSY 35

- Disassemble **RINSE CAP ASSY 23**
- Remove **Screw N1 - N5**
- Disassemble **WATER TANK ASSY 22**
- Remove **SAFETY CAP 24**
- Release **INOX CLAMP 25 (2x)**
- Disassemble **BRAIDED RUBBER HOSE BOILER 26**
- Release **Hose clip**
- Disconnect **Wires**
- Disassemble **ELECTROVALVE 27**
- Remove **Screw O1, O2**
- Remove **Screw P**
- Remove **SPACER TOP 28**
- Remove **Screw Q**
- Disassemble **RINSE HOUSING CAP PRINTED 29**
- Remove **Screw R**
- Disassemble **RINSE HOUSING MOLDED 30**
- Disassemble **O-RING 31**
- Disassemble **BOILER ASSY 32**
- Disassemble **BOILER SUPPORT BRACKET 33**
- Remove **SPACER BOTTOM 34**
- Disassemble **BOILER THERMISTOR ASSY 35**

POWER BUTTON PRINTED 36

BUTTON FRAME PRINTED 37

POWER BOARD PCB-PUMP 38A

SERVICE KIT 38B

POWER CORD EU 39

STAND BOTTOM MOLDED 40

- Remove **Screw N1 - N5**
- Disassemble **WATER TANK ASSY 22**
- Remove **Screw S1 - S3**
- Disassemble **POWER BUTTON PRINTED 36**
- Disassemble **BUTTON FRAME PRINTED 37**
- Remove **Screw T**
- Release **INOX CLAMP 25 (2x)**
- Disassemble **BRAIDED RUBBER HOSE BOILER 26**
- Disconnect **Wires**
- Disassemble **POWER BOARD PCB-PUMP 38A**
- Disassemble **SERVICE KIT 38B**
- Remove **Screw U1, U2**
- Disassemble **Cord clamp**
- Disassemble **POWER CORD EU 39**
- Disassemble **STAND BOTTOM MOLDED 40**

Pos	Description	GC8615/02	GC8615/07	GC8616/30	GC8616/31
		Service code	Service code	Service code	Service code
1	Light strip cap assy	4239 021 70734	4239 021 70734	-	-
2	Inlay and light strip assy	4239 021 70723	4239 021 70723	4239 021 81721	4239 021 81721
3	Reflector molded	4239 026 49561	4239 026 49561	4239 026 49561	4239 026 49561
4	LED microswitch holder assy	4239 021 71942	4239 021 71942	4239 021 71942	4239 021 71942
5	Trigger spring	4239 014 54961	4239 014 54961	4239 014 54961	4239 014 54961
6	Trigger molded	4239 026 49752	4239 026 49752	4239 026 57171	4239 026 57171
7	Mica plate	4239 010 12911	4239 010 12911	4239 010 12911	4239 010 12911
8	Plastic washer	4239 026 49501	4239 026 49501	4239 026 49501	4239 026 49501
9	Decoration cap printed	4239 021 70741	4239 021 70741	4239 021 81701	4239 021 81701
10	Ryton ring	4239 015 70153	4239 015 70153	4239 015 70153	4239 015 70153
11	Deviator housing molded	4239 026 49491	4239 026 49491	4239 026 49491	4239 026 49491
12	Iron thermistor assy	4239 021 69942	4239 021 69942	4239 021 69942	4239 021 69942
13	Hose cord mounted assy	4239 021 70703	4239 021 70703	4239 021 81731	4239 021 81731
14	Housing printed	4239 021 70692	4239 021 70692	4239 021 70692	4239 021 70692
15	Soleplate mounted assy	4239 021 70651	4239 021 70651	4239 021 70653	4239 021 70653
16	Filling door molded	4239 026 49714	4239 026 49714	4239 026 57131	4239 026 57131
17	Rear lock rubber	N/A	N/A	N/A	N/A
18	Tray rubber cap	4239 015 59731	4239 015 59731	4239 015 59731	4239 015 59731
19	Tray cap molded	4239 026 51861	4239 026 51861	4239 026 51861	4239 026 51861
20	Tray printed	4239 021 72991	4239 021 72991	4239 021 81791	4239 021 81791
21	Front lock assy	N/A	N/A	N/A	N/A
22	Water tank assy	4239 021 70812	4239 021 70812	4239 021 81681	4239 021 81681
23	Rinse cap assy	4239 021 71672	4239 021 71672	4239 021 81671	4239 021 81671
24	Safety cap	4239 015 59791	4239 015 59791	4239 015 59791	4239 015 59791
25	Inox clamp	4239 010 10261	4239 010 10261	4239 010 10261	4239 010 10261
26	Braided rubber hose Boiler	4239 015 59771	4239 015 59771	4239 015 59771	4239 015 59771
27	Electrovalve	4239 017 12802	4239 017 12802	-	-
28	Spacer top	4239 026 51241	4239 026 51241	4239 026 51241	4239 026 51241
29	Rinse housing cap assy	4239 021 72612	4239 021 72612	4239 021 72612	4239 021 72612
30	Rinse housing assy	4239 026 49732	4239 026 49732	4239 026 49732	4239 026 49732
31	O-ring	4239 015 59751	4239 015 59751	4239 015 59751	4239 015 59751
32	Boiler assy	4239 021 69891	4239 021 69891	4239 021 69892	4239 021 69892
33	Boiler support bracket	4239 026 42581	4239 026 42581	4239 026 42581	4239 026 42581
34	Spacer bottom	4239 026 32181	4239 026 32181	4239 026 32181	4239 026 32181
35	Boiler thermistor assy	4239 021 69951	4239 021 69951	4239 021 69951	4239 021 69951
36	Power button printed	4239 021 70773	4239 021 70773	4239 021 70773	4239 021 70773
37	Button frame printed	4239 021 70763	4239 021 70763	4239 021 70764	4239 021 70764
38A	Pump assy	-	-	-	-
38B	Service assy - Power board PCB-Pump	4239 022 67101	4239 022 67101	4239 022 67101	4239 022 67101
39A	Power Cord EU - PVC	2422 070 98399	2422 070 98399	2422 070 98399	2422 070 98399
39B	Power Cord AU	N/A	N/A	N/A	N/A
39C	Power Cord UK	N/A	N/A	N/A	N/A
39D	Power Cord EU - Cotton Braided	N/A	N/A	N/A	N/A
39E	Power Cord BR	N/A	N/A	N/A	N/A
40	Stand bottom molded	4239 026 50432	4239 026 50432	4239 026 50435	4239 026 50435
41	Pump Inlet elbow	-	-	-	-
42	Corrugated tube	-	-	-	-

Pos	Description	GC8616/97	GC8619/30	GC8620/02	GC8620/07
		Service code	Service code	Service code	Service code
1	Light strip cap assy	-	-	4239 021 70734	4239 021 70734
2	Inlay and light strip assy	4239 021 81721	4239 021 76361	4239 021 70843	4239 021 70843
3	Reflector molded	4239 026 49561	4239 026 49561	4239 026 49561	4239 026 49561
4	LED microswitch holder assy	4239 021 71942	4239 021 71942	4239 021 71942	4239 021 71942
5	Trigger spring	4239 014 54961	4239 014 54961	4239 014 54961	4239 014 54961
6	Trigger molded	4239 026 57171	4239 026 49753	4239 026 50372	4239 026 50372
7	Mica plate	4239 010 12911	4239 010 12911	4239 010 12911	4239 010 12911
8	Plastic washer	4239 026 49501	4239 026 49501	4239 026 49501	4239 026 49501
9	Decoration cap printed	4239 021 81701	4239 021 70741	4239 021 70901	4239 021 70901
10	Ryton ring	4239 015 70153	4239 015 70153	4239 015 70153	4239 015 70153
11	Deviator housing molded	4239 026 49491	4239 026 49492	4239 026 49491	4239 026 49491
12	Iron thermistor assy	4239 021 69942	4239 021 69942	4239 021 69942	4239 021 69942
13	Hose cord mounted assy	4239 021 81731	4239 021 70708	4239 021 71993	4239 021 71993
14	Housing printed	4239 021 70692	4239 021 70693	4239 021 70692	4239 021 70692
15	Soleplate mounted assy	4239 021 70653	4239 021 82851	4239 021 70651	4239 021 70651
16	Filling door molded	4239 026 57131	4239 026 49714	4239 026 50134	4239 026 50134
17	Rear lock rubber	N/A	N/A	N/A	N/A
18	Tray rubber cap	4239 015 59731	4239 015 59731	4239 015 59731	4239 015 59731
19	Tray cap molded	4239 026 51861	4239 026 51861	4239 026 51861	4239 026 51861
20	Tray printed	4239 021 81791	4239 021 87781	4239 021 70852	4239 021 70852
21	Front lock assy	N/A	N/A	N/A	N/A
22	Water tank assy	4239 021 81681	4239 021 70814	4239 021 71523	4239 021 71523
23	Rinse cap assy	4239 021 81671	4239 021 71672	4239 021 70862	4239 021 70862
24	Safety cap	4239 015 59791	4239 015 59791	4239 015 59791	4239 015 59791
25	Inox clamp	4239 010 10261	4239 010 10261	4239 010 10261	4239 010 10261
26	Braided rubber hose Boiler	4239 015 59771	4239 015 59771	4239 015 59771	4239 015 59771
27	Electrovalve	-	2922 021 99016	4239 017 12802	4239 017 12802
28	Spacer top	4239 026 51241	4239 026 51241	4239 026 51241	4239 026 51241
29	Rinse housing cap assy	4239 021 72612	4239 021 72612	4239 021 72612	4239 021 72612
30	Rinse housing assy	4239 026 49732	4239 026 49732	4239 026 49732	4239 026 49732
31	O-ring	4239 015 59751	4239 015 59751	4239 015 59751	4239 015 59751
32	Boiler assy	4239 021 69892	4239 021 69892	4239 021 69891	4239 021 69891
33	Boiler support bracket	4239 026 42581	4239 026 42581	4239 026 42581	4239 026 42581
34	Spacer bottom	4239 026 32181	4239 026 32181	4239 026 32181	4239 026 32181
35	Boiler thermistor assy	4239 021 69951	4239 021 69951	4239 021 69951	4239 021 69951
36	Power button printed	4239 021 70773	4239 021 70773	4239 021 70772	4239 021 70772
37	Button frame printed	4239 021 70764	4239 021 70764	4239 021 70762	4239 021 70762
38A	Pump assy	-	-	-	-
38B	Service assy - Power board PCB-Pump	4239 022 67101	4239 022 67101	4239 022 67101	4239 022 67101
39A	Power Cord EU - PVC	2422 070 98399	2422 070 98399	2422 070 98399	2422 070 98399
39B	Power Cord AU	N/A	N/A	N/A	N/A
39C	Power Cord UK	N/A	N/A	2422 070 98412	2422 070 98412
39D	Power Cord EU - Cotton Braided	N/A	N/A	N/A	N/A
39E	Power Cord BR	N/A	N/A	N/A	N/A
40	Stand bottom molded	4239 026 50435	4239 026 50438	4239 026 50432	4239 026 50432
41	Pump Inlet elbow	-	-	-	-
42	Corrugated tube	-	4239 015 59541	-	-

Pos	Description	GC8621/02	GC8622/20	GC8622/21	GC8622/97
		Service code	Service code	Service code	Service code
1	Light strip cap assy		-	-	-
2	Inlay and light strip assy		4239 021 76351	4239 021 76351	4239 021 76351
3	Reflector molded		4239 026 49561	4239 026 49561	4239 026 49561
4	LED microswitch holder assy		4239 021 71942	4239 021 71942	4239 021 71942
5	Trigger spring		4239 014 54961	4239 014 54961	4239 014 54961
6	Trigger molded		4239 026 50372	4239 026 50372	4239 026 50372
7	Mica plate		4239 010 12911	4239 010 12911	4239 010 12911
8	Plastic washer		4239 026 49501	4239 026 49501	4239 026 49501
9	Decoration cap printed		4239 021 70901	4239 021 70901	4239 021 70901
10	Ryton ring		4239 015 70153	4239 015 70153	4239 015 70153
11	Deviator housing molded		4239 026 49491	4239 026 49491	4239 026 49491
12	Iron thermistor assy		4239 021 69942	4239 021 69942	4239 021 69942
13	Hose cord mounted assy		4239 021 71995	4239 021 71995	4239 021 71995
14	Housing printed		4239 021 70692	4239 021 70692	4239 021 70692
15	Soleplate mounted assy		4239 021 82851	4239 021 82851	4239 021 82851
16	Filling door molded		4239 026 50134	4239 026 50134	4239 026 50134
17	Rear lock rubber		N/A	N/A	N/A
18	Tray rubber cap		4239 015 59731	4239 015 59731	4239 015 59731
19	Tray cap molded		4239 026 51861	4239 026 51861	4239 026 51861
20	Tray printed		4239 021 82101	4239 021 82101	4239 021 82101
21	Front lock assy		N/A	N/A	N/A
22	Water tank assy		4239 021 82191	4239 021 82191	4239 021 82191
23	Rinse cap assy		4239 021 70862	4239 021 70862	4239 021 70862
24	Safety cap		4239 015 59791	4239 015 59791	4239 015 59791
25	Inox clamp		4239 010 10261	4239 010 10261	4239 010 10261
26	Braided rubber hose Boiler		4239 015 59771	4239 015 59771	4239 015 59771
27	Electrovalve		-	-	-
28	Spacer top		4239 026 51241	4239 026 51241	4239 026 51241
29	Rinse housing cap assy		4239 021 72612	4239 021 72612	4239 021 72612
30	Rinse housing assy		4239 026 49732	4239 026 49732	4239 026 49732
31	O-ring		4239 015 59751	4239 015 59751	4239 015 59751
32	Boiler assy		4239 021 69892	4239 021 69892	4239 021 69892
33	Boiler support bracket		4239 026 42581	4239 026 42581	4239 026 42581
34	Spacer bottom		4239 026 32181	4239 026 32181	4239 026 32181
35	Boiler thermistor assy		4239 021 69951	4239 021 69951	4239 021 69951
36	Power button printed		4239 021 70773	4239 021 70773	4239 021 70773
37	Button frame printed		4239 021 70764	4239 021 70764	4239 021 70764
38A	Pump assy		-	-	-
38B	Service assy - Power board PCB-Pump		4239 022 67101	4239 022 67101	4239 022 67101
39A	Power Cord EU - PVC		2422 070 98399	2422 070 98399	2422 070 98399
39B	Power Cord AU		N/A	N/A	N/A
39C	Power Cord UK		N/A	N/A	N/A
39D	Power Cord EU - Cotton Braided		N/A	N/A	N/A
39E	Power Cord BR		N/A	N/A	N/A
40	Stand bottom molded		4239 026 50432	4239 026 50432	4239 026 50432
41	Pump Inlet elbow		-	-	-
42	Corrugated tube		-	-	-

Pos	Description	GC8623/20	GC8623/21	GC8624/20	GC8625/30
		Service code	Service code	Service code	Service code
1	Light strip cap assy	-	-	-	-
2	Inlay and light strip assy	4239 021 76351	4239 021 76351	4239 021 76351	4239 021 76351
3	Reflector molded	4239 026 49561	4239 026 49561	4239 026 49561	4239 026 49561
4	LED microswitch holder assy	4239 021 71942	4239 021 71942	4239 021 71942	4239 021 71942
5	Trigger spring	4239 014 54961	4239 014 54961	4239 014 54961	4239 014 54961
6	Trigger molded	4239 026 50372	4239 026 50372	4239 026 50373	4239 026 50373
7	Mica plate	4239 010 12911	4239 010 12911	4239 010 12911	4239 010 12911
8	Plastic washer	4239 026 49501	4239 026 49501	4239 026 49501	4239 026 49501
9	Decoration cap printed	4239 021 70901	4239 021 70901	4239 021 70901	4239 021 70901
10	Ryton ring	4239 015 70153	4239 015 70153	4239 015 70153	4239 015 70153
11	Deviator housing molded	4239 026 49491	4239 026 49491	4239 026 49492	4239 026 49491
12	Iron thermistor assy	4239 021 69942	4239 021 69942	4239 021 69942	4239 021 69942
13	Hose cord mounted assy	4239 021 71995	4239 021 71995	4239 021 71993	4239 021 71997
14	Housing printed	4239 021 70692	4239 021 70692	4239 021 70693	4239 021 70692
15	Soleplate mounted assy	4239 021 82851	4239 021 82851	4239 021 82851	4239 021 82851
16	Filling door molded	4239 026 50134	4239 026 50134	4239 026 50134	4239 026 49714
17	Rear lock rubber	N/A	N/A	N/A	4239 021 59741
18	Tray rubber cap	4239 015 59731	4239 015 59731	4239 015 59731	4239 015 59731
19	Tray cap molded	4239 026 51841	4239 026 51841	4239 026 51841	4239 026 51862
20	Tray printed	4239 021 82111	4239 021 82111	4239 021 87011	4239 021 93701
21	Front lock assy	N/A	N/A	N/A	4239 021 78603
22	Water tank assy	4239 021 82191	4239 021 82191	4239 021 82191	4239 021 70814
23	Rinse cap assy	4239 021 70862	4239 021 70862	4239 021 70862	4239 021 71672
24	Safety cap	4239 015 59791	4239 015 59791	4239 015 59791	4239 015 59791
25	Inox clamp	4239 010 10261	4239 010 10261	4239 010 10261	4239 010 10261
26	Braided rubber hose Boiler	4239 015 59771	4239 015 59771	4239 015 59771	4239 015 59771
27	Electrovalve	-	-	2922 021 99016	2922 021 99016
28	Spacer top	4239 026 51241	4239 026 51241	4239 026 51241	4239 026 51241
29	Rinse housing cap assy	4239 021 72612	4239 021 72612	4239 021 72612	4239 021 72612
30	Rinse housing assy	4239 026 49732	4239 026 49732	4239 026 49732	4239 021 98481
31	O-ring	4239 015 59751	4239 015 59751	4239 015 58201	4239 015 59751
32	Boiler assy	4239 021 69892	4239 021 69892	4239 021 69892	4239 021 69891
33	Boiler support bracket	4239 026 42581	4239 026 42581	4239 026 42581	4239 026 42581
34	Spacer bottom	4239 026 32181	4239 026 32181	4239 026 32181	4239 026 32181
35	Boiler thermistor assy	4239 021 69951	4239 021 69951	4239 021 69951	4239 021 69951
36	Power button printed	4239 021 70773	4239 021 70773	4239 021 70773	4239 021 70772
37	Button frame printed	4239 021 70764	4239 021 70764	4239 021 70764	4239 021 70762
38A	Pump assy	-	-	-	-
38B	Service assy - Power board PCB-Pump	4239 022 67101	4239 022 67101	4239 022 67101	4239 022 67101
39A	Power Cord EU - PVC	2422 070 98399	2422 070 98399	2422 070 98399	2422 070 98399
39B	Power Cord AU	N/A	N/A	N/A	2422 070 98418
39C	Power Cord UK	N/A	N/A	2422 070 98412	2422 070 98564
39D	Power Cord EU - Cotton Braided	N/A	N/A	N/A	N/A
39E	Power Cord BR	N/A	N/A	N/A	N/A
40	Stand bottom molded	4239 026 50116	4239 026 50116	4239 026 50118	4239 026 50438
41	Pump Inlet elbow	-	-	4239 015 59561	4239 015 59561
42	Corrugated tube	-	-	4239 015 59541	4239 015 59541

Pos	Description	GC8626/20	GC8627/30	GC8630/02	GC8630/07
		889862620291 Service code	889862730290 Service code	Service code	Service code
1	Light strip cap assy	-	-	4239 021 70734	4239 021 70734
2	Inlay and light strip assy	4239 021 76351	4239 021 81721	4239 021 72873	4239 021 72873
3	Reflector molded	4239 026 49561	4239 026 49561	4239 026 49561	4239 026 49561
4	LED microswitch holder assy	4239 021 71942	4239 021 71942	4239 021 71942	4239 021 71942
5	Trigger spring	4239 014 54961	4239 014 54961	4239 014 54961	4239 014 54961
6	Trigger molded	4239 026 50373	4239 026 57172	4239 026 51651	4239 026 51651
7	Mica plate	4239 010 12911	4239 010 12911	4239 010 12911	4239 010 12911
8	Plastic washer	4239 026 49501	4239 026 49501	4239 026 49501	4239 026 49501
9	Decoration cap printed	4239 021 70901	4239 021 81701	4239 021 72841	4239 021 72841
10	Ryton ring	4239 015 70153	4239 015 70153	4239 015 70153	4239 015 70153
11	Deviator housing molded	4239 026 49491	4239 026 49491	4239 026 49491	4239 026 49491
12	Iron thermistor assy	4239 021 69942	4239 021 69942	4239 021 69942	4239 021 69942
13	Hose cord mounted assy	4239 021 71997	4239 021 81712	4239 021 72852	4239 021 72852
14	Housing printed	4239 021 70692	4239 021 70692	4239 021 70692	4239 021 70692
15	Soleplate mounted assy	4239 021 82851	4239 021 82851	4239 021 70651	4239 021 70651
16	Filling door molded	4239 026 50134	4239 026 57131	4239 026 50134	4239 026 50134
17	Rear lock rubber	4239 021 59741	4239 021 59741	4239 015 59741	4239 015 59741
18	Tray rubber cap	4239 015 59731	4239 015 59731	4239 015 59731	4239 015 59731
19	Tray cap molded	4239 026 51862	4239 026 51862	4239 026 51861	4239 026 51861
20	Tray printed	4239 021 87011	4239 021 93721	4239 021 72893	4239 021 72893
21	Front lock assy	4239 021 93712	4239 021 93732	4239 021 71603	4239 021 71603
22	Water tank assy	4239 021 82191	4239 021 81681	4239 021 71523	4239 021 71523
23	Rinse cap assy	4239 021 70862	4239 021 81671	4239 021 72902	4239 021 72902
24	Safety cap	4239 015 59791	4239 015 59791	4239 015 59791	4239 015 59791
25	Inox clamp	4239 010 10261	4239 010 10261	4239 010 10261	4239 010 10261
26	Braided rubber hose Boiler	4239 015 59771	4239 015 59771	4239 015 59771	4239 015 59771
27	Electrovalve	2922 021 99016	2922 021 99016	4239 017 12802	4239 017 12802
28	Spacer top	4239 026 51241	4239 026 51241	4239 026 51241	4239 026 51241
29	Rinse housing cap assy	4239 021 72612	4239 021 72612	4239 021 72612	4239 021 72612
30	Rinse housing assy	4239 026 49732	4239 021 98481	4239 026 49732	4239 026 49732
31	O-ring	4239 015 59751	4239 015 59751	4239 015 59751	4239 015 59751
32	Boiler assy	4239 021 69891	4239 021 69891	4239 021 69891	4239 021 69891
33	Boiler support bracket	4239 026 42581	4239 026 42581	4239 026 42581	4239 026 42581
34	Spacer bottom	4239 026 32181	4239 026 32181	4239 026 32181	4239 026 32181
35	Boiler thermistor assy	4239 021 69951	4239 021 69951	4239 021 69951	4239 021 69951
36	Power button printed	4239 021 70772	4239 021 70772	4239 021 70772	4239 021 70772
37	Button frame printed	4239 021 70762	4239 021 70762	4239 021 70762	4239 021 70762
38A	Pump assy	-	-	-	-
38B	Service assy - Power board PCB-Pump	4239 022 67101	4239 022 67101	4239 022 67101	4239 022 67101
39A	Power Cord EU - PVC	2422 070 98399	2422 070 98399	2422 070 98402	2422 070 98402
39B	Power Cord AU	2422 070 98418	2422 070 98418	N/A	N/A
39C	Power Cord UK	2422 070 98564	2422 070 98564	N/A	N/A
39D	Power Cord EU - Cotton Braided	N/A	N/A	N/A	N/A
39E	Power Cord BR	N/A	N/A	N/A	N/A
40	Stand bottom molded	4239 026 50438	4239 026 50438	4239 026 51662	4239 026 51662
41	Pump Inlet elbow	4239 015 59561	4239 015 59561	-	-
42	Corrugated tube	4239 015 59541	4239 015 59541	-	-

Pos	Description	GC8635/02	GC8635/07	GC8636/02	GC8636/97
		Service code	Service code	Service code	Service code
1	Light strip cap assy	4239 021 70734	4239 021 70734	4239 026 53351	4239 026 53351
2	Inlay and light strip assy	4239 021 70841	4239 021 70841	4239 021 76361	4239 021 76361
3	Reflector molded	4239 026 49561	4239 026 49561	4239 026 49561	4239 026 49561
4	LED microswitch holder assy	4239 021 71942	4239 021 71942	4239 021 71942	4239 021 71942
5	Trigger spring	4239 014 54961	4239 014 54961	4239 014 54961	4239 014 54961
6	Trigger molded	4239 026 50372	4239 026 50372	4239 026 49753	4239 026 49753
7	Mica plate	4239 010 12911	4239 010 12911	4239 010 12911	4239 010 12911
8	Plastic washer	4239 026 49501	4239 026 49501	4239 026 49501	4239 026 49501
9	Decoration cap printed	4239 021 70901	4239 021 70901	4239 021 70741	4239 021 70741
10	Ryton ring	4239 015 70153	4239 015 70153	4239 015 70153	4239 015 70153
11	Deviator housing molded	4239 026 49491	4239 026 49491	4239 026 49491	4239 026 49491
12	Iron thermistor assy	4239 021 69942	4239 021 69942	4239 021 69942	4239 021 69942
13	Hose cord mounted assy	4239 021 71992	4239 021 71992	4239 021 70708	4239 021 70708
14	Housing printed	4239 021 70692	4239 021 70692	4239 021 70693	4239 021 70693
15	Soleplate mounted assy	4239 021 70651	4239 021 70651	4239 021 70653	4239 021 70653
16	Filling door molded	4239 026 50134	4239 026 50134	4239 026 49714	4239 026 49714
17	Rear lock rubber	4239 015 59741	4239 015 59741	4239 015 59741	4239 015 59741
18	Tray rubber cap	4239 015 59731	4239 015 59731	4239 015 59731	4239 015 59731
19	Tray cap molded	4239 026 51841	4239 026 51841	4239 026 51861	4239 026 51861
20	Tray printed	4239 021 71512	4239 021 71512	4239 021 78621	4239 021 78621
21	Front lock assy	4239 021 71493	4239 021 71493	4239 021 78601	4239 021 78601
22	Water tank assy	4239 021 71523	4239 021 71523	4239 021 70814	4239 021 70814
23	Rinse cap assy	4239 021 70862	4239 021 70862	4239 021 71672	4239 021 71672
24	Safety cap	4239 015 59791	4239 015 59791	4239 015 59791	4239 015 59791
25	Inox clamp	4239 010 10261	4239 010 10261	4239 010 10261	4239 010 10261
26	Braided rubber hose Boiler	4239 015 59771	4239 015 59771	4239 015 59771	4239 015 59771
27	Electrovalve	4239 017 12802	4239 017 12802	2922 021 99016	2922 021 99016
28	Spacer top	4239 026 51241	4239 026 51241	4239 026 51241	4239 026 51241
29	Rinse housing cap assy	4239 021 72612	4239 021 72612	4239 021 72612	4239 021 72612
30	Rinse housing assy	4239 026 49732	4239 026 49732	4239 026 49732	4239 026 49732
31	O-ring	4239 015 59751	4239 015 59751	4239 015 58201	4239 015 58201
32	Boiler assy	4239 021 69891	4239 021 69891	4239 021 69892	4239 021 69892
33	Boiler support bracket	4239 026 42581	4239 026 42581	4239 026 42581	4239 026 42581
34	Spacer bottom	4239 026 32181	4239 026 32181	4239 026 32181	4239 026 32181
35	Boiler thermistor assy	4239 021 69951	4239 021 69951	4239 021 69951	4239 021 69951
36	Power button printed	4239 021 70772	4239 021 70772	4239 021 70773	4239 021 70773
37	Button frame printed	4239 021 70762	4239 021 70762	4239 021 70764	4239 021 70764
38A	Pump assy	-	-	-	-
38B	Service assy - Power board PCB-Pump	4239 022 67101	4239 022 67101	4239 022 67101	4239 022 67101
39A	Power Cord EU - PVC	2422 070 98403	2422 070 98403	2422 070 98399	2422 070 98399
39B	Power Cord AU	2422 070 98424	2422 070 98424	N/A	N/A
39C	Power Cord UK	N/A	N/A	N/A	N/A
39D	Power Cord EU - Cotton Braided	N/A	N/A	N/A	N/A
39E	Power Cord BR	N/A	N/A	N/A	N/A
40	Stand bottom molded	4239 026 50112	4239 026 50112	4239 026 50437	4239 026 50437
41	Pump Inlet elbow	-	-	4239 015 59561	4239 015 59561
42	Corrugated tube	-	-	4239 015 59541	4239 015 59541

Pos	Description	GC8638/20	GC8638/21	GC8640/02	GC8640/07
		Service code	Service code	Service code	Service code
1	Light strip cap assy	-	-	4239 021 70734	4239 021 70734
2	Inlay and light strip assy	4239 021 76351	4239 021 76351	4239 021 70722	4239 021 70722
3	Reflector molded	4239 026 49561	4239 026 49561	4239 026 49561	4239 026 49561
4	LED microswitch holder assy	4239 021 71942	4239 021 71942	4239 021 71942	4239 021 71942
5	Trigger spring	4239 014 54961	4239 014 54961	4239 014 54961	4239 014 54961
6	Trigger molded	4239 026 50372	4239 026 50372	4239 026 49752	4239 026 49752
7	Mica plate	4239 010 12911	4239 010 12911	4239 010 12911	4239 010 12911
8	Plastic washer	4239 026 49501	4239 026 49501	4239 026 49501	4239 026 49501
9	Decoration cap printed	4239 021 70901	4239 021 70901	4239 021 70741	4239 021 70741
10	Ryton ring	4239 015 70153	4239 015 70153	4239 015 70153	4239 015 70153
11	Deviator housing molded	4239 026 49491	4239 026 49491	4239 026 49491	4239 026 49491
12	Iron thermistor assy	4239 021 69942	4239 021 69942	4239 021 69942	4239 021 69942
13	Hose cord mounted assy	4239 021 71995	4239 021 71995	4239 021 70703	4239 021 70703
14	Housing printed	4239 021 70692	4239 021 70692	4239 021 70692	4239 021 70692
15	Soleplate mounted assy	4239 021 70653	4239 021 70653	4239 021 70651	4239 021 70651
16	Filling door molded	4239 026 50134	4239 026 50134	4239 026 49714	4239 026 49714
17	Rear lock rubber	-	-	4239 015 59741	4239 015 59741
18	Tray rubber cap	4239 015 59731	4239 015 59731	4239 015 59731	4239 015 59731
19	Tray cap molded	4239 026 51841	4239 026 51841	4239 026 51831	4239 026 51831
20	Tray printed	4239 021 82121	4239 021 82121	4239 021 70802	4239 021 70802
21	Front lock assy	4239 021 71493	4239 021 71493	4239 021 70783	4239 021 70783
22	Water tank assy	4239 021 82191	4239 021 82191	4239 021 70812	4239 021 70812
23	Rinse cap assy	4239 021 70862	4239 021 70862	4239 021 71672	4239 021 71672
24	Safety cap	4239 015 59791	4239 015 59791	4239 015 59791	4239 015 59791
25	Inox clamp	4239 010 10261	4239 010 10261	4239 010 10261	4239 010 10261
26	Braided rubber hose Boiler	4239 015 59771	4239 015 59771	4239 015 59771	4239 015 59771
27	Electrovalve	-	-	4239 017 12802	4239 017 12802
28	Spacer top	4239 026 51241	4239 026 51241	4239 026 51241	4239 026 51241
29	Rinse housing cap assy	4239 021 72612	4239 021 72612	4239 021 72612	4239 021 72612
30	Rinse housing assy	4239 026 49732	4239 026 49732	4239 026 49732	4239 026 49732
31	O-ring	4239 015 59751	4239 015 59751	4239 015 59751	4239 015 59751
32	Boiler assy	4239 021 69892	4239 021 69892	4239 021 69891	4239 021 69891
33	Boiler support bracket	4239 026 42581	4239 026 42581	4239 026 42581	4239 026 42581
34	Spacer bottom	4239 026 32181	4239 026 32181	4239 026 32181	4239 026 32181
35	Boiler thermistor assy	4239 021 69951	4239 021 69951	4239 021 69951	4239 021 69951
36	Power button printed	4239 021 70773	4239 021 70773	4239 021 70772	4239 021 70772
37	Button frame printed	4239 021 70764	4239 021 70764	4239 021 70762	4239 021 70762
38A	Pump assy	-	-	-	-
38B	Service assy - Power board PCB-Pump	4239 022 67101	4239 022 67101	4239 022 67101	4239 022 67101
39A	Power Cord EU - PVC	2422 070 98403	2422 070 98403	2422 070 98401	2422 070 98401
39B	Power Cord AU	N/A	N/A	N/A	N/A
39C	Power Cord UK	N/A	N/A	N/A	N/A
39D	Power Cord EU - Cotton Braided	N/A	N/A	N/A	N/A
39E	Power Cord BR	N/A	N/A	N/A	N/A
40	Stand bottom molded	4239 026 50116	4239 026 50116	4239 026 49592	4239 026 49592
41	Pump Inlet elbow	-	-	-	-
42	Corrugated tube	-	-	-	-

Pos	Description	GC8640/97	GC8641/30	GC8641/31	GC8642/20
		Service code	Service code	Service code	Service code
1	Light strip cap assy	4239 021 70734	-	-	-
2	Inlay and light strip assy	4239 021 70722	4239 021 81721	4239 021 81721	4239 021 76351
3	Reflector molded	4239 026 49561	4239 026 49561	4239 026 49561	4239 026 49561
4	LED microswitch holder assy	4239 021 71942	4239 021 71942	4239 021 71942	4239 021 71942
5	Trigger spring	4239 014 54961	4239 014 54961	4239 014 54961	4239 014 54961
6	Trigger molded	4239 026 49752	4239 026 57171	4239 026 57171	4239 026 50372
7	Mica plate	4239 010 12911	4239 010 12911	4239 010 12911	4239 010 12911
8	Plastic washer	4239 026 49501	4239 026 49501	4239 026 49501	4239 026 49501
9	Decoration cap printed	4239 021 70741	4239 021 81701	4239 021 81701	4239 021 70901
10	Ryton ring	4239 015 70153	4239 015 70153	4239 015 70153	4239 015 70153
11	Deviator housing molded	4239 026 49491	4239 026 49491	4239 026 49491	4239 026 49491
12	Iron thermistor assy	4239 021 69942	4239 021 69942	4239 021 69942	4239 021 69942
13	Hose cord mounted assy	4239 021 70703	4239 021 81731	4239 021 81731	4239 021 71996
14	Housing printed	4239 021 70692	4239 021 70692	4239 021 70692	4239 021 70693
15	Soleplate mounted assy	4239 021 70651	4239 021 82851	4239 021 82851	4239 021 82851
16	Filling door molded	4239 026 49714	4239 026 57131	4239 026 57131	4239 026 50134
17	Rear lock rubber	4239 015 59741	4239 015 59741	4239 015 59741	4239 015 59741
18	Tray rubber cap	4239 015 59731	4239 015 59731	4239 015 59731	4239 015 59731
19	Tray cap molded	4239 026 51831	4239 026 57141	4239 026 57141	4239 026 51841
20	Tray printed	4239 021 70802	4239 021 81661	4239 021 81661	4239 021 82761
21	Front lock assy	4239 021 70783	4239 021 81641	4239 021 81641	4239 021 71493
22	Water tank assy	4239 021 70812	4239 021 81681	4239 021 81681	4239 021 82191
23	Rinse cap assy	4239 021 71672	4239 021 81671	4239 021 81671	4239 021 70862
24	Safety cap	4239 015 59791	4239 015 59791	4239 015 59791	4239 015 59791
25	Inox clamp	4239 010 10261	4239 010 10261	4239 010 10261	4239 010 10261
26	Braided rubber hose Boiler	4239 015 59771	4239 015 59771	4239 015 59771	4239 015 59771
27	Electrovalve	4239 017 12802	-	-	-
28	Spacer top	4239 026 51241	4239 026 51241	4239 026 51241	4239 026 51241
29	Rinse housing cap assy	4239 021 72612	4239 021 72612	4239 021 72612	4239 021 72612
30	Rinse housing assy	4239 026 49732	4239 026 49732	4239 026 49732	4239 026 49732
31	O-ring	4239 015 59751	4239 015 59751	4239 015 59751	4239 015 59751
32	Boiler assy	4239 021 69891	4239 021 69892	4239 021 69892	4239 021 69892
33	Boiler support bracket	4239 026 42581	4239 026 42581	4239 026 42581	4239 026 42581
34	Spacer bottom	4239 026 32181	4239 026 32181	4239 026 32181	4239 026 32181
35	Boiler thermistor assy	4239 021 69951	4239 021 69951	4239 021 69951	4239 021 69951
36	Power button printed	4239 021 70772	4239 021 70773	4239 021 70773	4239 021 70773
37	Button frame printed	4239 021 70762	4239 021 70764	4239 021 70764	4239 021 70764
38A	Pump assy	-	-	-	-
38B	Service assy - Power board PCB-Pump	4239 022 67101	4239 022 67101	4239 022 67101	4239 022 67101
39A	Power Cord EU - PVC	2422 070 98401	2422 070 98401	2422 070 98401	2422 070 98418
39B	Power Cord AU	N/A	N/A	N/A	N/A
39C	Power Cord UK	N/A	N/A	N/A	N/A
39D	Power Cord EU - Cotton Braided	N/A	N/A	N/A	N/A
39E	Power Cord BR	N/A	N/A	N/A	N/A
40	Stand bottom molded	4239 026 49592	4239 026 57061	4239 026 57061	4239 026 50116
41	Pump Inlet elbow	-	-	-	-
42	Corrugated tube	-	-	-	-

Pos	Description	GC8642/21	GC8643/30	GC8643/31	GC8644/30
		Service code	Service code	Service code	Service code
1	Light strip cap assy	-	-	-	-
2	Inlay and light strip assy	4239 021 76351	4239 021 76351	4239 021 76351	4239 021 81721
3	Reflector molded	4239 026 49561	4239 026 49561	4239 026 49561	4239 026 49561
4	LED microswitch holder assy	4239 021 71942	4239 021 71942	4239 021 71942	4239 021 71942
5	Trigger spring	4239 014 54961	4239 014 54961	4239 014 54961	4239 014 54961
6	Trigger molded	4239 026 50372	4239 026 50373	4239 026 50373	4239 026 57172
7	Mica plate	4239 010 12911	4239 010 12911	4239 010 12911	4239 010 12911
8	Plastic washer	4239 026 49501	4239 026 49501	4239 026 49501	4239 026 49501
9	Decoration cap printed	4239 021 70901	4239 021 70901	4239 021 70901	4239 021 81701
10	Ryton ring	4239 015 70153	4239 015 70153	4239 015 70153	4239 015 70153
11	Deviator housing molded	4239 026 49491	4239 026 49491	4239 026 49492	4239 026 49491
12	Iron thermistor assy	4239 021 69942	4239 021 69942	4239 021 69942	4239 021 69942
13	Hose cord mounted assy	4239 021 71996	4239 021 71997	4239 021 71993	4239 021 81712
14	Housing printed	4239 021 70693	4239 021 70692	4239 021 70693	4239 021 70692
15	Soleplate mounted assy	4239 021 82851	4239 021 82851	4239 021 82851	4239 021 82851
16	Filling door molded	4239 026 50134	4239 026 49714	4239 026 50134	4239 026 57131
17	Rear lock rubber	4239 015 59741	4239 015 59741	-	4239 015 59741
18	Tray rubber cap	4239 015 59731	4239 015 59731	4239 015 59731	4239 015 59731
19	Tray cap molded	4239 026 51841	4239 026 51831	4239 026 51841	4239 026 57141
20	Tray printed	4239 021 82761	4239 021 93742	4239 021 87011	4239 021 93752
21	Front lock assy	4239 021 71493	4239 021 70785	-	4239 021 81643
22	Water tank assy	4239 021 82191	4239 021 70814	4239 021 82191	4239 021 81681
23	Rinse cap assy	4239 021 70862	4239 021 71672	4239 021 70862	4239 021 81671
24	Safety cap	4239 015 59791	4239 015 59791	4239 015 59791	4239 015 59791
25	Inox clamp	4239 010 10261	4239 010 10261	4239 010 10261	4239 010 10261
26	Braided rubber hose Boiler	4239 015 59771	4239 015 59771	4239 015 59771	4239 015 59771
27	Electrovalve	-	2922 021 99016	2922 021 99016	2922 021 99016
28	Spacer top	4239 026 51241	4239 026 51241	4239 026 51241	4239 026 51241
29	Rinse housing cap assy	4239 021 72612	4239 021 72612	4239 021 72612	4239 021 72612
30	Rinse housing assy	4239 026 49732	4239 026 49732	4239 026 49732	4239 026 49732
31	O-ring	4239 015 59751	4239 015 59751	4239 015 58201	4239 015 59751
32	Boiler assy	4239 021 69892	4239 021 69891	4239 021 69892	4239 021 69891
33	Boiler support bracket	4239 026 42581	4239 026 42581	4239 026 42581	4239 026 42581
34	Spacer bottom	4239 026 32181	4239 026 32181	4239 026 32181	4239 026 32181
35	Boiler thermistor assy	4239 021 69951	4239 021 69951	4239 021 69951	4239 021 69951
36	Power button printed	4239 021 70773	4239 021 70772	4239 021 70773	4239 021 70773
37	Button frame printed	4239 021 70764	4239 021 70762	4239 021 70764	4239 021 70764
38A	Pump assy	-	-	-	-
38B	Service assy - Power board PCB-Pump	4239 022 67101	4239 022 67101	4239 022 67101	4239 022 67101
39A	Power Cord EU - PVC	2422 070 98418	2422 070 98399	2422 070 98399	2422 070 98399
39B	Power Cord AU	N/A	2422 070 98418	N/A	N/A
39C	Power Cord UK	N/A	2422 070 98564	2422 070 98412	N/A
39D	Power Cord EU - Cotton Braided	N/A	N/A	N/A	N/A
39E	Power Cord BR	N/A	N/A	N/A	N/A
40	Stand bottom molded	4239 026 50116	4239 026 49597	4239 026 50118	4239 026 57063
41	Pump Inlet elbow	-	4239 015 59561	4239 015 59561	4239 015 59561
42	Corrugated tube	-	4239 015 59541	4239 015 59541	4239 015 59541

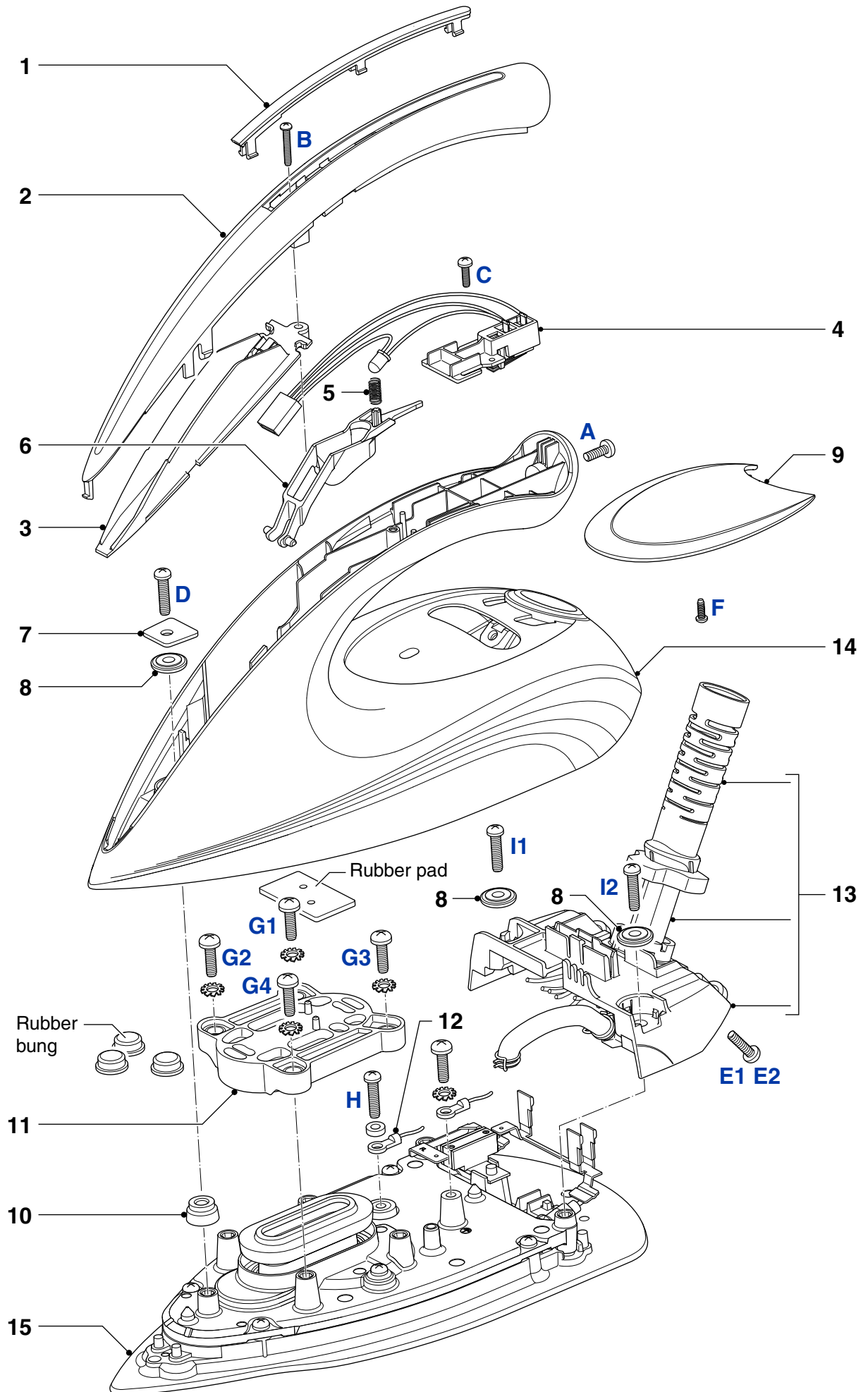
Pos	Description	GC8644/31	GC8650/02	GC8650/80	GC8650/81
		Service code	Service code	889865080530 Service code	Service code
1	Light strip cap assy	-	-	-	-
2	Inlay and light strip assy	4239 021 76351	4239 021 76361	4239 021 81721	4239 021 76361
3	Reflector molded	4239 026 49561	4239 026 49561	4239 026 49561	4239 026 49561
4	LED microswitch holder assy	4239 021 71942	4239 021 71942	4239 021 71942	4239 021 71942
5	Trigger spring	4239 014 54961	4239 014 54961	4239 014 54961	4239 014 54961
6	Trigger molded	4239 026 50373	4239 026 56691	4239 026 57172	4239 026 56691
7	Mica plate	4239 010 12911	4239 010 12911	4239 010 12911	4239 010 12911
8	Plastic washer	4239 026 49501	4239 026 49501	4239 026 49501	4239 026 49501
9	Decoration cap printed	4239 021 70901	4239 021 70741	4239 021 81701	4239 021 70741
10	Ryton ring	4239 015 70153	4239 015 70153	4239 015 70153	4239 015 70153
11	Deviator housing molded	4239 026 49492	4239 026 49491	4239 026 49491	4239 026 49491
12	Iron thermistor assy	4239 021 69942	4239 021 69942	4239 021 69942	4239 021 69942
13	Hose cord mounted assy	4239 021 71993	4239 021 70705	4239 021 81712	4239 021 70705
14	Housing printed	4239 021 70693	4239 021 80631	4239 021 70692	4239 021 80631
15	Soleplate mounted assy	4239 021 82851	4239 021 80621	4239 021 82851	4239 021 80621
16	Filling door molded	4239 026 50134	4239 026 49714	4239 026 49714	4239 026 49714
17	Rear lock rubber	-	4239 015 59741	4239 015 59741	4239 015 59741
18	Tray rubber cap	4239 015 59731	4239 015 59731	4239 015 59731	4239 015 59731
19	Tray cap molded	4239 026 51841	4239 026 56681	4239 026 56681	4239 026 56681
20	Tray printed	4239 021 87011	4239 021 80591	4239 021 80591	4239 021 80591
21	Front lock assy	-	-	4239 021 80583	-
22	Water tank assy	4239 021 82191	4239 021 80611	4239 021 80611	4239 021 80611
23	Rinse cap assy	4239 021 70862	4239 021 71672	4239 021 71672	4239 021 71672
24	Safety cap	4239 015 59791	4239 015 59791	4239 015 59791	4239 015 59791
25	Inox clamp	4239 010 10261	4239 010 10261	4239 010 10261	4239 010 10261
26	Braided rubber hose Boiler	4239 015 59771	4239 015 59771	4239 015 59771	4239 015 59771
27	Electrovalve	2922 021 99016	-	2922 021 99016	-
28	Spacer top	4239 026 51241	4239 026 51241	4239 026 51241	4239 026 51241
29	Rinse housing cap assy	4239 021 72612	4239 021 80601	4239 021 72612	4239 021 80601
30	Rinse housing assy	4239 026 49732	4239 026 49732	4239 021 98561	4239 026 49732
31	O-ring	4239 015 58201	4239 015 59751	4239 015 59751	4239 015 59751
32	Boiler assy	4239 021 69892	4239 021 69892	4239 021 69891	4239 021 69892
33	Boiler support bracket	4239 026 42581	4239 026 42581	4239 026 42581	4239 026 42581
34	Spacer bottom	4239 026 32181	4239 026 32181	4239 026 32181	4239 026 32181
35	Boiler thermistor assy	4239 021 69951	4239 021 69951	4239 021 69951	4239 021 69951
36	Power button printed	4239 021 70773	4239 021 70773	4239 021 70773	4239 021 70773
37	Button frame printed	4239 021 70764	4239 021 70764	4239 021 70764	4239 021 70764
38A	Pump assy	-	-	-	-
38B	Service assy - Power board PCB-Pump	4239 022 67101	4239 022 67101	4239 022 67101	4239 022 67101
39A	Power Cord EU - PVC	2422 070 98399	2422 070 98401	N/A	2422 070 98401
39B	Power Cord AU	N/A	N/A	N/A	N/A
39C	Power Cord UK	2422 070 98412	N/A	N/A	N/A
39D	Power Cord EU - Cotton Braided	N/A	N/A	2422 070 98418	N/A
39E	Power Cord BR	N/A	N/A	N/A	N/A
40	Stand bottom molded	4239 026 50118	4239 026 56671	-	4239 026 56671
41	Pump Inlet elbow	4239 015 59561	-	4239 026 56673	-
42	Corrugated tube	4239 015 59541	-	-	-

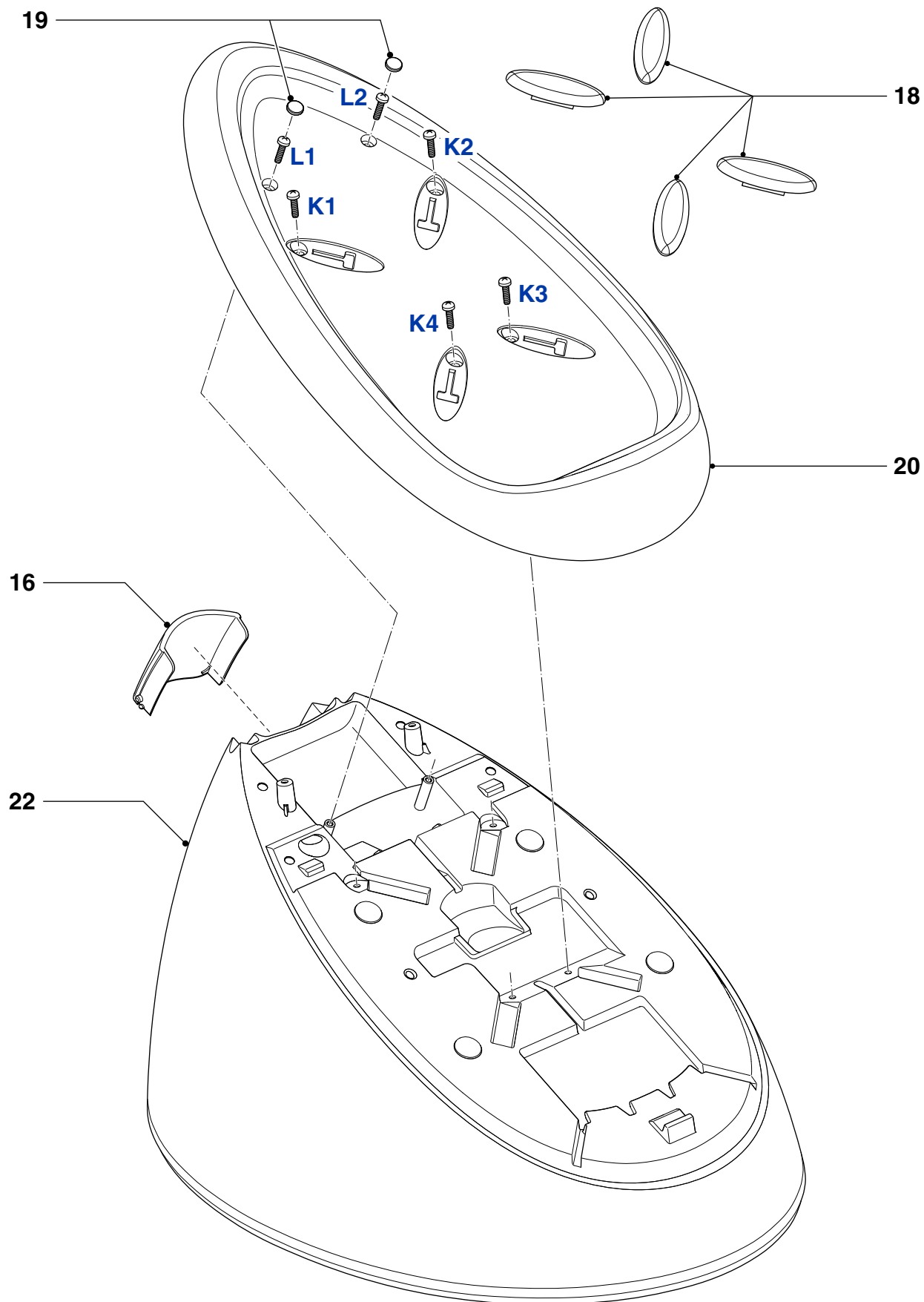
Pos	Description	GC8650/86	GC8650/97	GC8651/10 889865110080	GC8651/10 889865110530
		Service code	Service code	Service code	Service code
1	Light strip cap assy	-	-	4239 021 70734	-
2	Inlay and light strip assy	4239 021 76361	4239 021 76361	4239 021 70723	4239 021 81721
3	Reflector molded	4239 026 49561	4239 026 49561	4239 026 49561	4239 026 49561
4	LED microswitch holder assy	4239 021 71942	4239 021 71942	4239 021 71942	4239 021 71942
5	Trigger spring	4239 014 54961	4239 014 54961	4239 014 54961	4239 014 54961
6	Trigger molded	4239 026 56691	4239 026 56691	4239 026 49752	4239 026 57172
7	Mica plate	4239 010 12911	4239 010 12911	4239 010 12911	4239 010 12911
8	Plastic washer	4239 026 49501	4239 026 49501	4239 026 49501	4239 026 49501
9	Decoration cap printed	4239 021 70741	4239 021 70741	4239 021 70741	4239 021 81701
10	Ryton ring	4239 015 70153	4239 015 70153	4239 015 70153	4239 015 70153
11	Deviator housing molded	4239 026 49491	4239 026 49491	4239 026 49491	4239 026 49491
12	Iron thermistor assy	4239 021 69942	4239 021 69942	4239 021 69942	4239 021 69942
13	Hose cord mounted assy	4239 021 70705	4239 021 70705	4239 021 70703	4239 021 81712
14	Housing printed	4239 021 80631	4239 021 80631	4239 021 70692	4239 021 70692
15	Soleplate mounted assy	4239 021 80621	4239 021 80621	4239 021 70651	4239 021 82851
16	Filling door molded	4239 026 49714	4239 026 49714	4239 026 60061	4239 026 57131
17	Rear lock rubber	4239 015 59741	4239 015 59741	4239 015 59741	4239 015 59741
18	Tray rubber cap	4239 015 59731	4239 015 59731	4239 015 59731	4239 015 59731
19	Tray cap molded	4239 026 56681	4239 026 56681	4239 026 51831	4239 026 51862
20	Tray printed	4239 021 80591	4239 021 80591	4239 021 85131	4239 021 85131
21	Front lock assy	-	-	4239 021 85103	4239 021 85103
22	Water tank assy	4239 021 80611	4239 021 80611	4239 021 85161	4239 021 85161
23	Rinse cap assy	4239 021 71672	4239 021 71672	4239 021 71672	4239 021 85141
24	Safety cap	4239 015 59791	4239 015 59791	4239 015 59791	4239 015 59791
25	Inox clamp	4239 010 10261	4239 010 10261	4239 010 10261	4239 010 10261
26	Braided rubber hose Boiler	4239 015 59771	4239 015 59771	4239 015 59771	4239 015 59771
27	Electrovalve	-	-	2922 021 99016	2922 021 99016
28	Spacer top	4239 026 51241	4239 026 51241	4239 026 51241	4239 026 51241
29	Rinse housing cap assy	4239 021 80601	4239 021 80601	4239 021 72612	4239 021 72612
30	Rinse housing assy	4239 026 49732	4239 026 49732	4239 021 98501	4239 021 98501
31	O-ring	4239 015 59751	4239 015 59751	4239 015 59751	4239 015 59751
32	Boiler assy	4239 021 69892	4239 021 69892	4239 021 69891	4239 021 69891
33	Boiler support bracket	4239 026 42581	4239 026 42581	4239 026 42581	4239 026 42581
34	Spacer bottom	4239 026 32181	4239 026 32181	4239 026 32181	4239 026 32181
35	Boiler thermistor assy	4239 021 69951	4239 021 69951	4239 021 69951	4239 021 69951
36	Power button printed	4239 021 70773	4239 021 70773	4239 021 70772	4239 021 70773
37	Button frame printed	4239 021 70764	4239 021 70764	4239 021 70762	4239 021 70764
38A	Pump assy	-	-	-	-
38B	Service assy - Power board PCB-Pump	4239 022 67101	4239 022 67101	4239 022 67101	4239 022 67101
39A	Power Cord EU - PVC	2422 070 98401	2422 070 98401	N/A	N/A
39B	Power Cord AU	N/A	N/A	N/A	2422 070 98418
39C	Power Cord UK	N/A	N/A	2422 070 98561	N/A
39D	Power Cord EU - Cotton Braided	N/A	N/A	N/A	N/A
39E	Power Cord BR	N/A	N/A	N/A	N/A
40	Stand bottom molded	4239 026 56671	4239 026 56671	4239 026 50438	4239 026 50438
41	Pump Inlet elbow	-	-	4239 015 59561	-
42	Corrugated tube	-	-	4239 015 59541	-

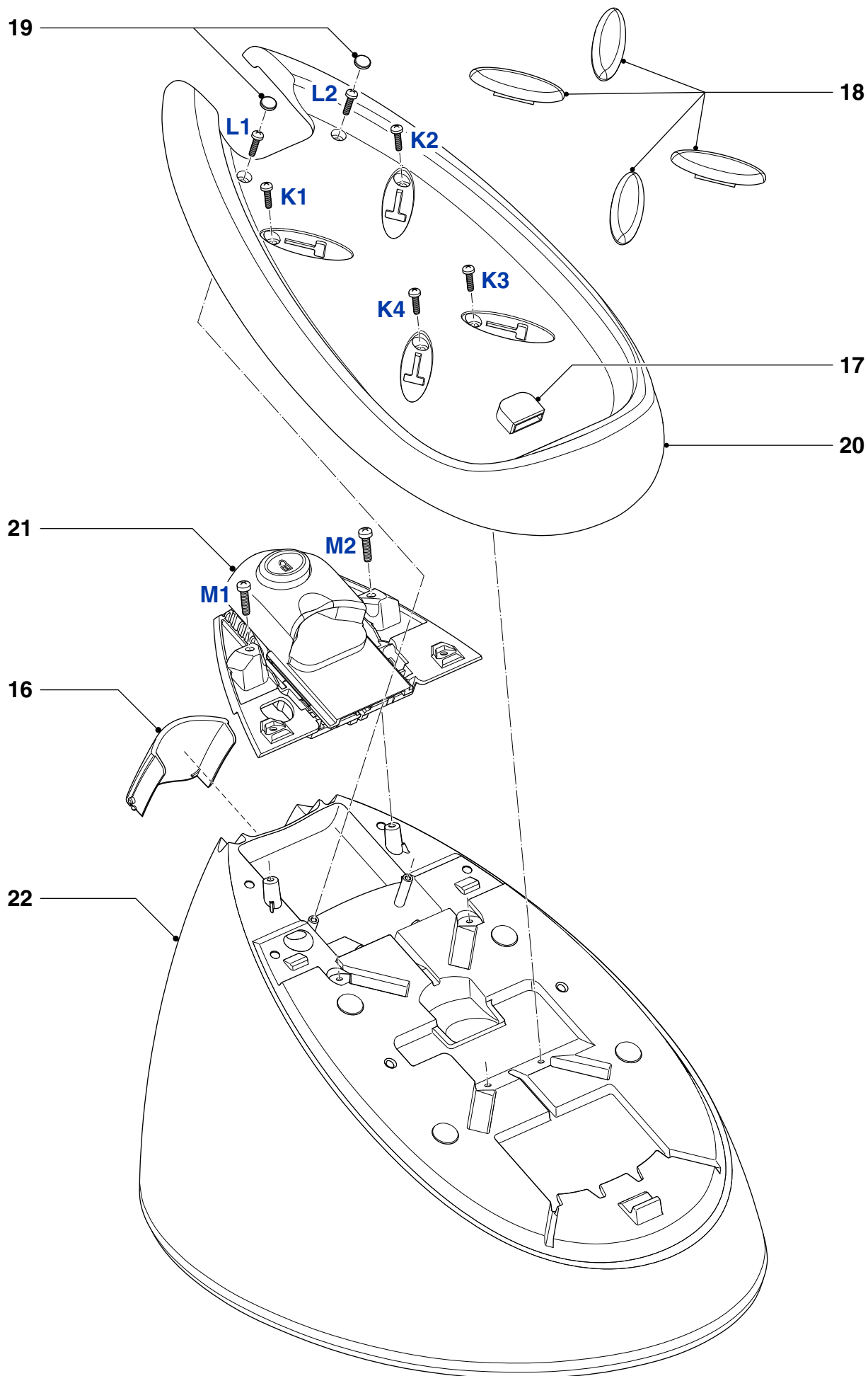
Pos	Description	GC8652/80 889865280010 Service code	GC8652/80 889865280150 Service code	GC8652/80 889865280220 Service code	GC8652/80 889865280290 Service code
1	Light strip cap assy	-	-	-	-
2	Inlay and light strip assy	4239 021 95061	4239 021 95061	4239 021 95061	4239 021 95061
3	Reflector molded	4239 026 49561	4239 026 49561	4239 026 49561	4239 026 49561
4	LED microswitch holder assy	4239 021 95031	4239 021 95031	4239 021 95031	4239 021 95031
5	Trigger spring	4239 014 54961	4239 014 54961	4239 014 54961	4239 014 54961
6	Trigger molded	4239 026 65091	4239 026 65091	4239 026 65091	4239 026 65091
7	Mica plate	4239 010 12911	4239 010 12911	4239 010 12911	4239 010 12911
8	Plastic washer	4239 026 49501	4239 026 49501	4239 026 49501	4239 026 49501
9	Decoration cap printed	4239 021 81701	4239 021 81701	4239 021 81701	4239 021 81701
10	Ryton ring	4239 015 70153	4239 015 70153	4239 015 70153	4239 015 70153
11	Deviator housing molded	4239 026 49491	4239 026 49491	4239 026 49491	4239 026 49491
12	Iron thermistor assy	4239 021 69942	4239 021 69942	4239 021 69942	4239 021 69942
13	Hose cord mounted assy	4239 021 95041	4239 021 95041	4239 021 95041	4239 021 95041
14	Housing printed	4239 021 95011	4239 021 95011	4239 021 95011	4239 021 95011
15	Soleplate mounted assy	4239 021 82851	4239 021 82851	4239 021 82851	4239 021 82851
16	Filling door molded	4239 026 65221	4239 026 65221	4239 026 65221	4239 026 65221
17	Rear lock rubber	4239 015 59741	4239 015 59741	4239 015 59741	4239 015 59741
18	Tray rubber cap	4239 015 59731	4239 015 59731	4239 015 59731	4239 015 59731
19	Tray cap molded	4239 026 65231	4239 026 65231	4239 026 65231	4239 026 65231
20	Tray printed	4239 021 95091	4239 021 95091	4239 021 95091	4239 021 95091
21	Front lock assy	4239 021 95073	4239 021 95073	4239 021 95073	4239 021 95073
22	Water tank assy	4239 021 95121	4239 021 95121	4239 021 95121	4239 021 95121
23	Rinse cap assy	4239 021 95111	4239 021 95111	4239 021 95111	4239 021 95111
24	Safety cap	4239 015 59791	4239 015 59791	4239 015 59791	4239 015 59791
25	Inox clamp	4239 010 10261	4239 010 10261	4239 010 10261	4239 010 10261
26	Braided rubber hose Boiler	4239 015 59771	4239 015 59771	4239 015 59771	4239 015 59771
27	Electrovalve	2922 021 99016	2922 021 99016	2922 021 99016	2922 021 99016
28	Spacer top	4239 026 51241	4239 026 51241	4239 026 51241	4239 026 51241
29	Rinse housing cap assy	4239 021 72612	4239 021 72612	4239 021 72612	4239 021 72612
30	Rinse housing assy	4239 026 49732	4239 026 49732	4239 026 49732	4239 026 49732
31	O-ring	4239 015 59751	4239 015 59751	4239 015 59751	4239 015 59751
32	Boiler assy	4239 021 69891	4239 021 69891	4239 021 69891	4239 021 69891
33	Boiler support bracket	4239 026 42581	4239 026 42581	4239 026 42581	4239 026 42581
34	Spacer bottom	4239 026 32181	4239 026 32181	4239 026 32181	4239 026 32181
35	Boiler thermistor assy	4239 021 69951	4239 021 69951	4239 021 69951	4239 021 69951
36	Power button printed	4239 021 70773	4239 021 70773	4239 021 70773	4239 021 70773
37	Button frame printed	4239 021 70764	4239 021 70764	4239 021 70764	4239 021 70764
38A	Pump assy	-	-	-	-
38B	Service assy - Power board PCB-Pump	4239 022 67101	4239 022 67101	4239 022 67101	4239 022 67101
39A	Power Cord EU - PVC	2422 070 98663	N/A	2422 070 98401	2422 070 98401
39B	Power Cord AU	N/A	N/A	N/A	N/A
39C	Power Cord UK	N/A	2422 070 98662	N/A	N/A
39D	Power Cord EU - Cotton Braided	N/A	N/A	N/A	N/A
39E	Power Cord BR	N/A	N/A	N/A	N/A
40	Stand bottom molded	4239 026 65111	4239 026 65111	4239 026 65111	4239 026 65111
41	Pump Inlet elbow	-	-	-	-
42	Corrugated tube	-	-	-	-

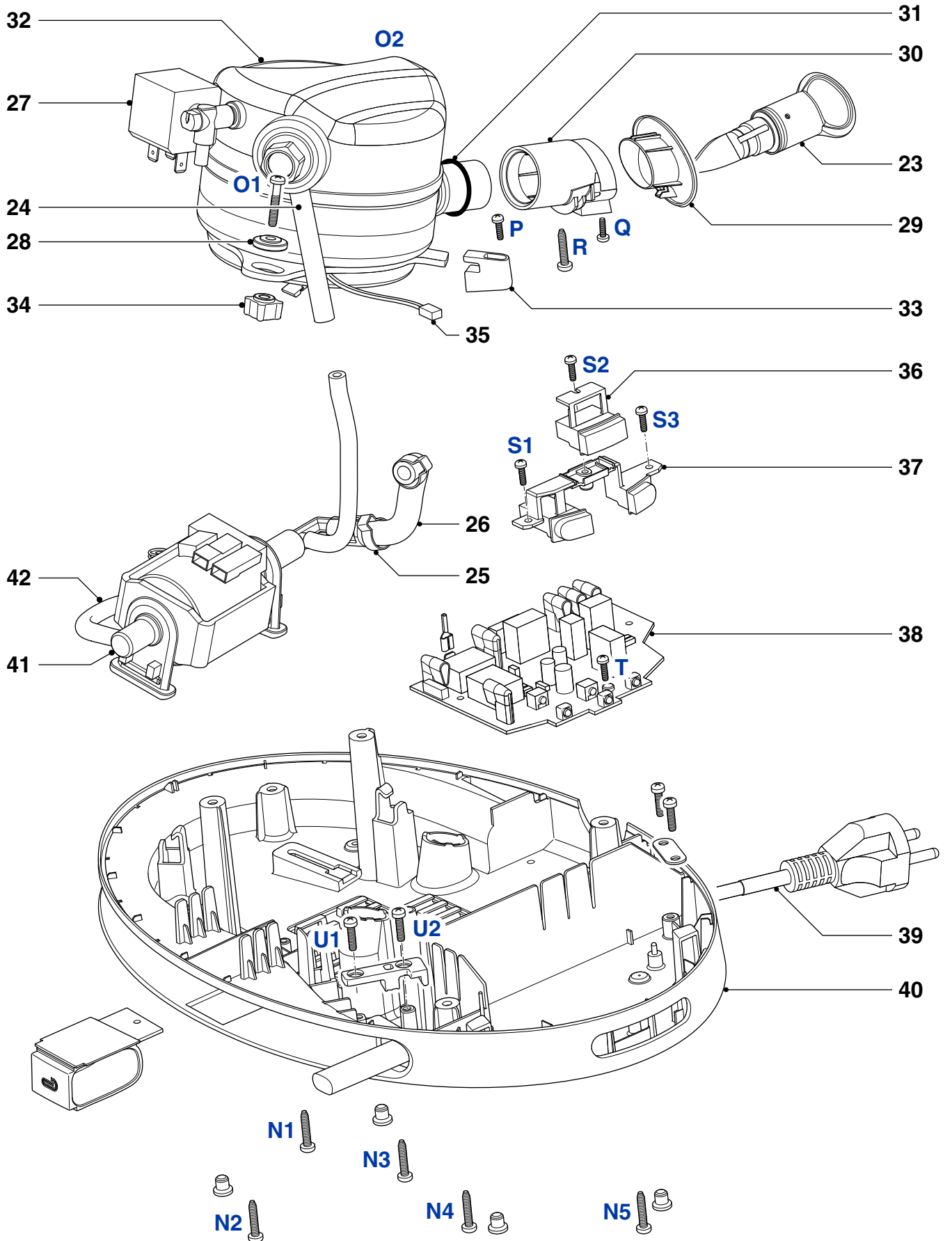
Pos	Description	GC8652/80 889865280380 Service code	RI8640/02 886864002240 Service code	RI8640/12 886864012240 Service code	RI8645/82 886864582240 Service code
1	Light strip cap assy	-	4239 021 70734	4239 021 70734	-
2	Inlay and light strip assy	4239 021 95061	4239 021 70722	4239 021 70722	4239 021 76361
3	Reflector molded	4239 026 49561	4239 026 49561	4239 026 49561	4239 026 49561
4	LED microswitch holder assy	4239 021 95031	4239 021 71942	4239 021 71942	4239 021 71942
5	Trigger spring	4239 014 54961	4239 014 54961	4239 014 54961	4239 014 54961
6	Trigger molded	4239 026 65091	4239 026 49752	4239 026 49752	4239 026 56692
7	Mica plate	4239 010 12911	4239 010 12911	4239 010 12911	4239 010 12911
8	Plastic washer	4239 026 49501	4239 026 49501	4239 026 49501	4239 026 49501
9	Decoration cap printed	4239 021 81701	4239 021 70741	4239 021 70741	4239 021 70741
10	Ryton ring	4239 015 70153	4239 015 70153	4239 015 70153	4239 015 70153
11	Deviator housing molded	4239 026 49491	4239 026 49491	4239 026 49491	4239 026 49491
12	Iron thermistor assy	4239 021 69942	4239 021 69942	4239 021 69942	4239 021 69942
13	Hose cord mounted assy	4239 021 95041	4239 021 70703	4239 021 70703	4239 021 70708
14	Housing printed	4239 021 95011	4239 021 70692	4239 021 70692	4239 021 93531
15	Soleplate mounted assy	4239 021 82851	4239 021 70651	4239 021 80231	4239 021 94351
16	Filling door molded	4239 026 65221	4239 026 49714	4239 026 49714	4239 026 49714
17	Rear lock rubber	4239 015 59741	4239 015 59741	4239 015 59741	4239 015 59741
18	Tray rubber cap	4239 015 59731	4239 015 59731	4239 015 59731	4239 015 59731
19	Tray cap molded	4239 026 65231	4239 026 51831	4239 026 51831	4239 026 56681
20	Tray printed	4239 021 95091	4239 021 80351	4239 021 80351	4239 021 93541
21	Front lock assy	4239 021 95073	4239 021 70783	4239 021 70783	4239 021 80583
22	Water tank assy	4239 021 95121	4239 021 70814	4239 021 70814	4239 021 80611
23	Rinse cap assy	4239 021 95111	4239 021 71672	4239 021 71672	4239 021 71672
24	Safety cap	4239 015 59791	4239 015 59791	4239 015 59791	4239 015 59791
25	Inox clamp	4239 010 10261	4239 010 10261	4239 010 10261	4239 010 10261
26	Braided rubber hose Boiler	4239 015 59771	4239 015 59771	4239 015 59771	4239 015 59771
27	Electrovalve	2922 021 99016	4239 017 12802	4239 017 12802	2922 021 99032
28	Spacer top	4239 026 51241	4239 026 51241	4239 026 51241	4239 026 51241
29	Rinse housing cap assy	4239 021 72612	4239 021 72612	4239 021 72612	4239 021 98561
30	Rinse housing assy	4239 026 49732	4239 026 49732	4239 026 49732	4239 026 49732
31	O-ring	4239 015 59751	4239 015 59751	4239 015 59751	4239 015 59751
32	Boiler assy	4239 021 69891	4239 021 69891	4239 021 80321	4239 021 80321
33	Boiler support bracket	4239 026 42581	4239 026 42581	4239 026 42581	4239 026 42581
34	Spacer bottom	4239 026 32181	4239 026 32181	4239 026 32181	4239 026 32181
35	Boiler thermistor assy	4239 021 69951	4239 021 69951	4239 021 69951	4239 021 69951
36	Power button printed	4239 021 70773	4239 021 70772	4239 021 70772	4239 021 70773
37	Button frame printed	4239 021 70764	4239 021 70762	4239 021 70762	4239 021 70764
38A	Pump assy	-	-	-	-
38B	Service assy - Power board PCB-Pump	4239 022 67101	4239 022 67101	4239 022 68091	4239 022 67101
39A	Power Cord EU - PVC	2422 070 98401	N/A	N/A	N/A
39B	Power Cord AU	N/A	N/A	N/A	N/A
39C	Power Cord UK	N/A	N/A	N/A	N/A
39D	Power Cord EU - Cotton Braided	N/A	N/A	N/A	N/A
39E	Power Cord BR	N/A	2422 070 98495	2422 070 98496	2422 070 98633
40	Stand bottom molded	-	4239 026 56641	4239 026 56641	4239 026 63821
41	Pump Inlet elbow	-	-	-	4239 015 59561
42	Corrugated tube	-	-	-	4239 015 59541

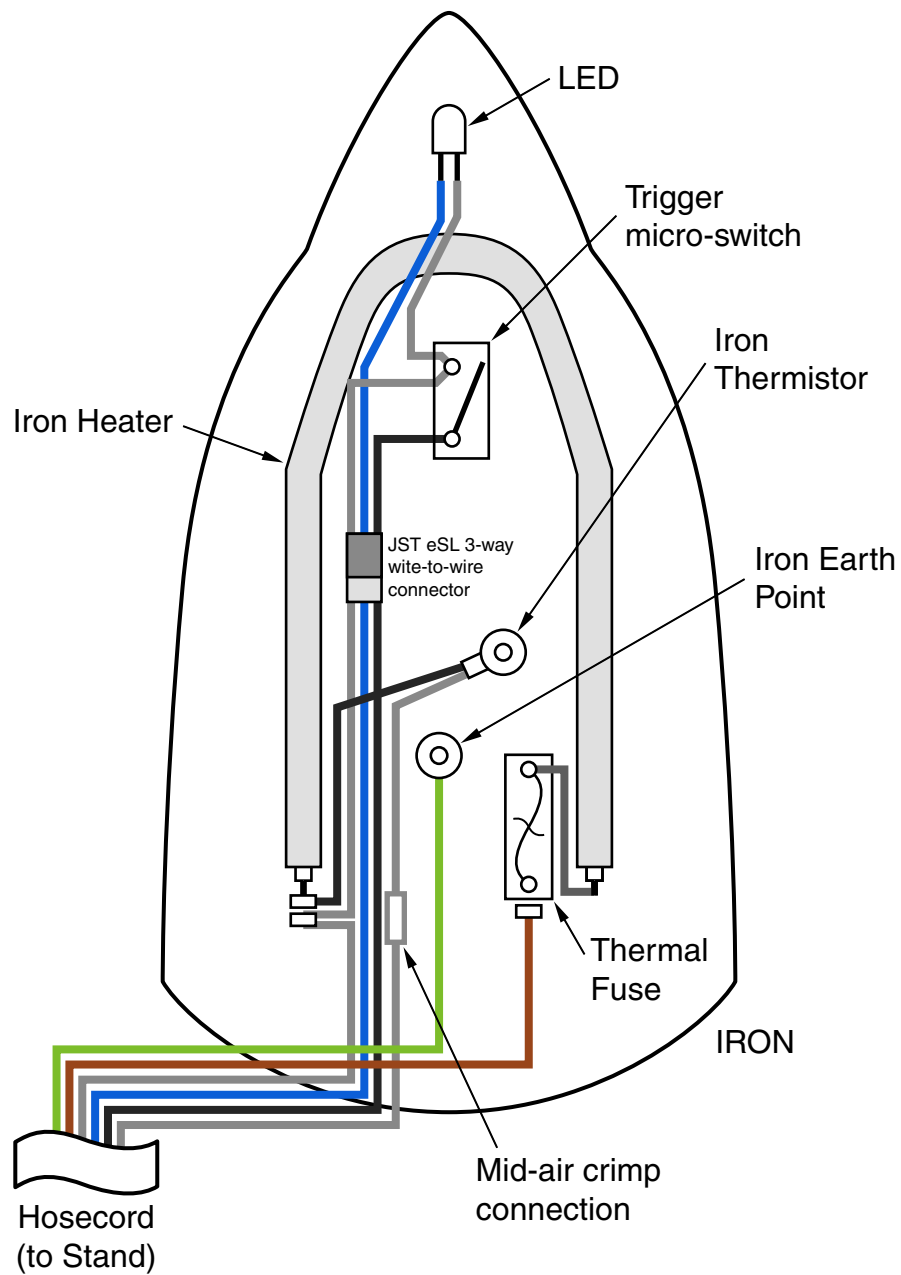
Pos	Description	RI8645/84 886864584240 Service code
1	Light strip cap assy	-
2	Inlay and light strip assy	4239 021 76361
3	Reflector molded	4239 026 49561
4	LED microswitch holder assy	4239 021 71942
5	Trigger spring	4239 014 54961
6	Trigger molded	4239 026 56692
7	Mica plate	4239 010 12911
8	Plastic washer	4239 026 49501
9	Decoration cap printed	4239 021 70741
10	Ryton ring	4239 015 70153
11	Deviator housing molded	4239 026 49491
12	Iron thermistor assy	4239 021 69942
13	Hose cord mounted assy	4239 021 70708
14	Housing printed	4239 021 93531
15	Soleplate mounted assy	4239 021 82901
16	Filling door molded	4239 026 49714
17	Rear lock rubber	4239 015 59741
18	Tray rubber cap	4239 015 59731
19	Tray cap molded	4239 026 56681
20	Tray printed	4239 021 93541
21	Front lock assy	4239 021 80583
22	Water tank assy	4239 021 80611
23	Rinse cap assy	4239 021 71672
24	Safety cap	4239 015 59791
25	Inox clamp	4239 010 10261
26	Braided rubber hose Boiler	4239 015 59771
27	Electrovalve	2922 021 99016
28	Spacer top	4239 026 51241
29	Rinse housing cap assy	4239 021 98561
30	Rinse housing assy	4239 026 49732
31	O-ring	4239 015 59751
32	Boiler assy	4239 021 69893
33	Boiler support bracket	4239 026 42581
34	Spacer bottom	4239 026 32181
35	Boiler thermistor assy	4239 021 69951
36	Power button printed	4239 021 70773
37	Button frame printed	4239 021 70764
38A	Pump assy	-
38B	Service assy - Power board PCB-Pump	4239 022 67101
39A	Power Cord EU - PVC	N/A
39B	Power Cord AU	N/A
39C	Power Cord UK	N/A
39D	Power Cord EU - Cotton Braided	N/A
39E	Power Cord BR	2422 070 98634
40	Stand bottom molded	4239 026 56673
41	Pump Inlet elbow	4239 015 59561
42	Corrugated tube	4239 015 59541

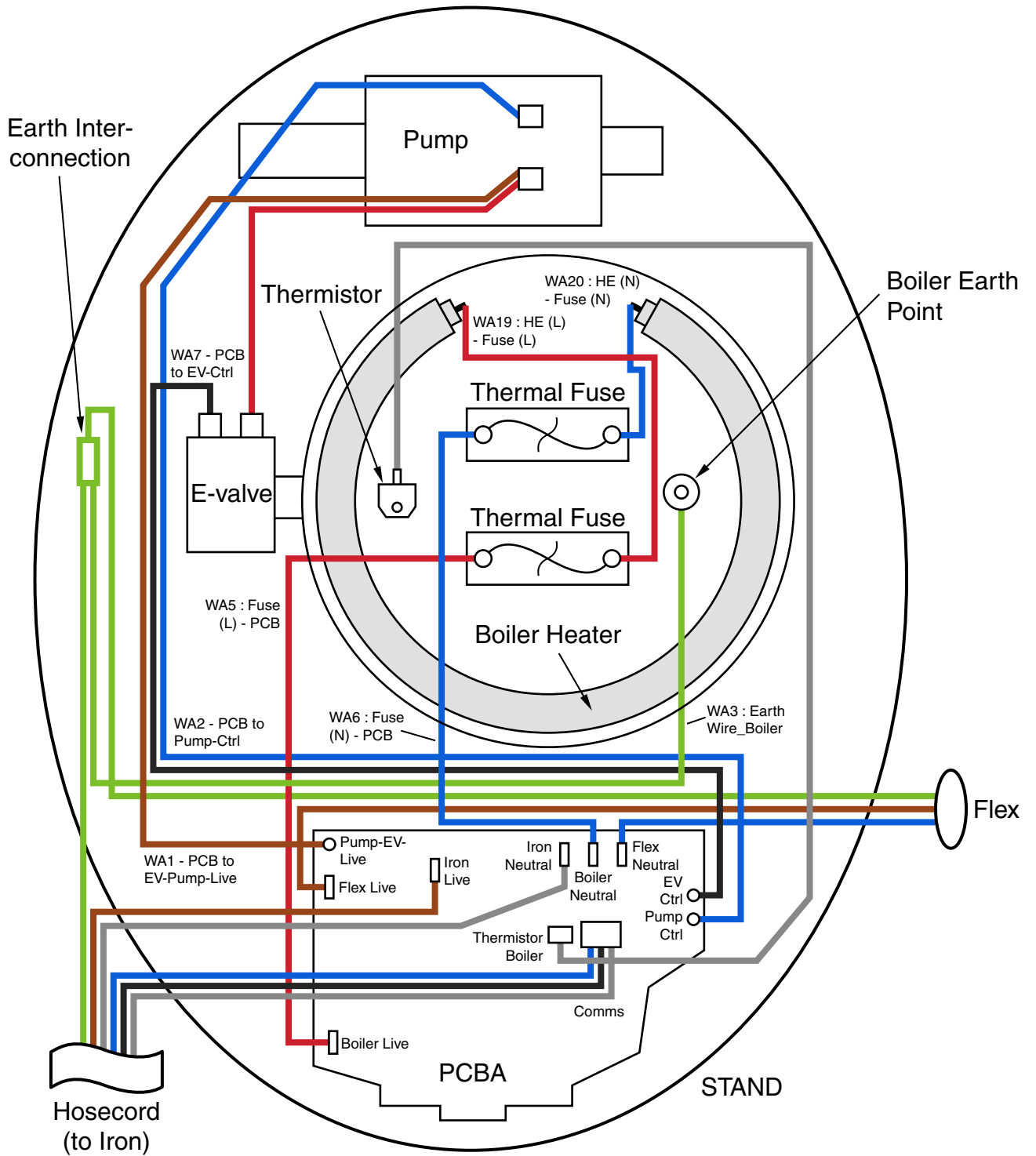












- Due to the high wattage of the iron, only the specified cord set must be used.
- Should damage be observed on the **HOSE - CORD ASSY 13** or **CORDSET 39**, they must be replaced.
- Continued usage is not allowed.
- When replacing the **MICROSWITCH ASSY 4**, please dress the 2 attached wires such that they are free of tension. Pulling force on the wires may affect the steam triggering.
- To avoid damage to the sealing & components of the **BOILER ASSY 32**, **NEVER** clean the boiler assy with vinegar, descaling agent or other corrosive chemicals.
- When replacing **ELECTROVALVE 27** or **PUMP ASSY 38**, please be reminded to apply loctite at the joints for good sealing.
- After the product has been repaired, it should function properly and has to meet the safety requirements & legal regulations as laid down & officially established at this moment.
- The following tests are common checks that are conducted on a repaired product before it is returned to the consumer.

1. Soleplate temperature

Check the soleplate temperature is within IEC requirement.

Measure the temperature of the soleplate after the iron has reached steady state i.e connected to the mains for at least 15 minutes. The table below shows the temperature requirement.

Soleplate temperature (Deg C)		Materials, for example	
Minimum	Maximum		
120	143	All fabric types	

2. Leakage current

Check that leakage current is within IEC requirement.

Measure leakage current between LIVE/NEUTRAL & EARTH.

IEC requirement is that at 230 V supply, the EARTH leakage current must be less than 0.75 mA.

3. Water leakage / Functionality

Check that there is no water leakage from any part of product during operation.

Check that the functionality of the product (product dependent) eg. steaming, variable steam, SOS, ASO etc is working properly.

4. Loose part

Check that there are no loose parts eg. Extra screws in the product that can cause short-circuit or product malfunctions.

5. Self-Check mode

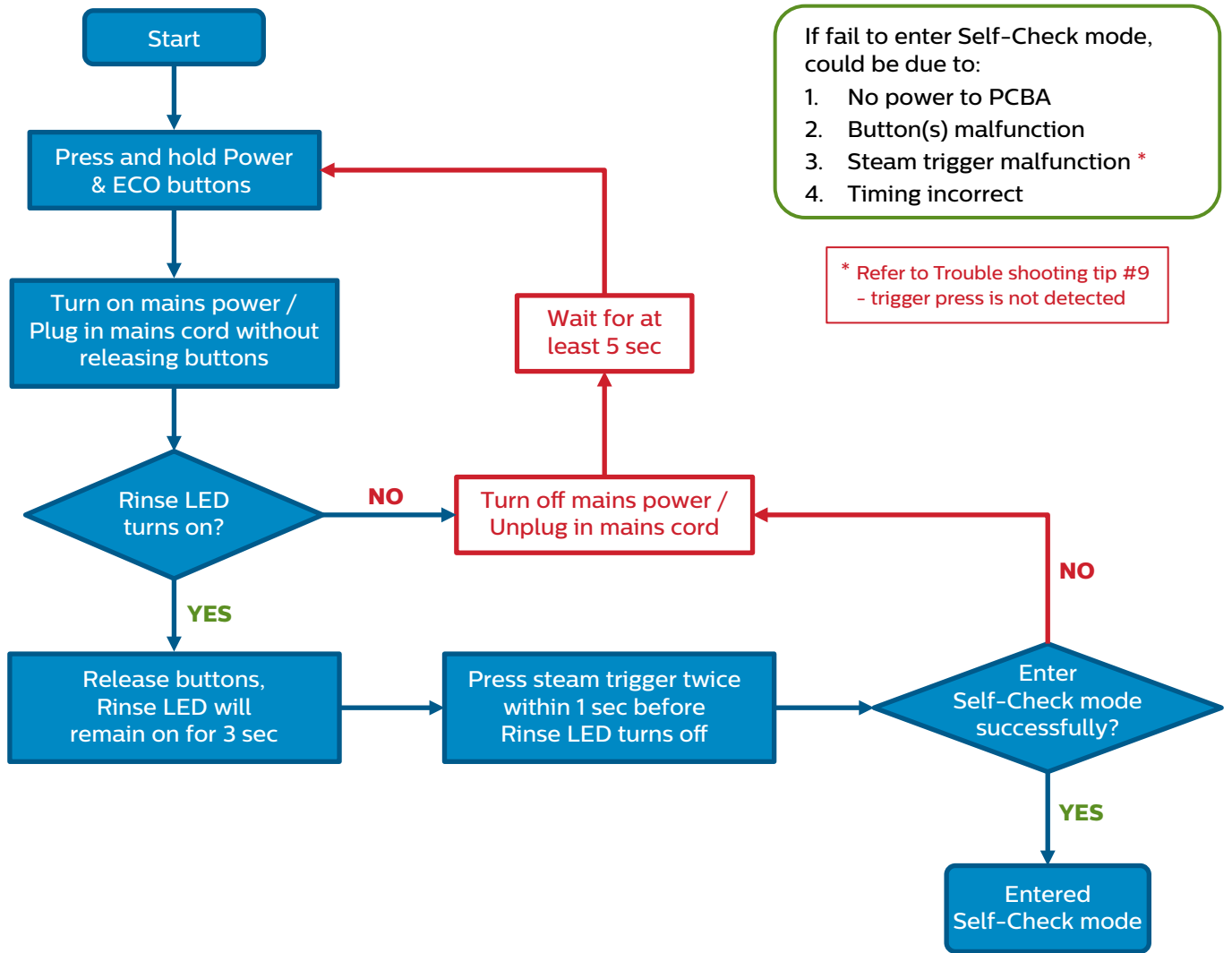
5.1. Introduction of Self-Check mode

Self-Check mode is **NOT** an exhaustive diagnosis, but a quick preliminary check on all the hardware function. Further test and troubleshooting may still be required by Service Center to identify the root cause.

5.2. Before start Self-Check mode, please do the following checking

1. Power meter in place to monitor system power

5.3. Enter Self-Check mode Process Flow Chart

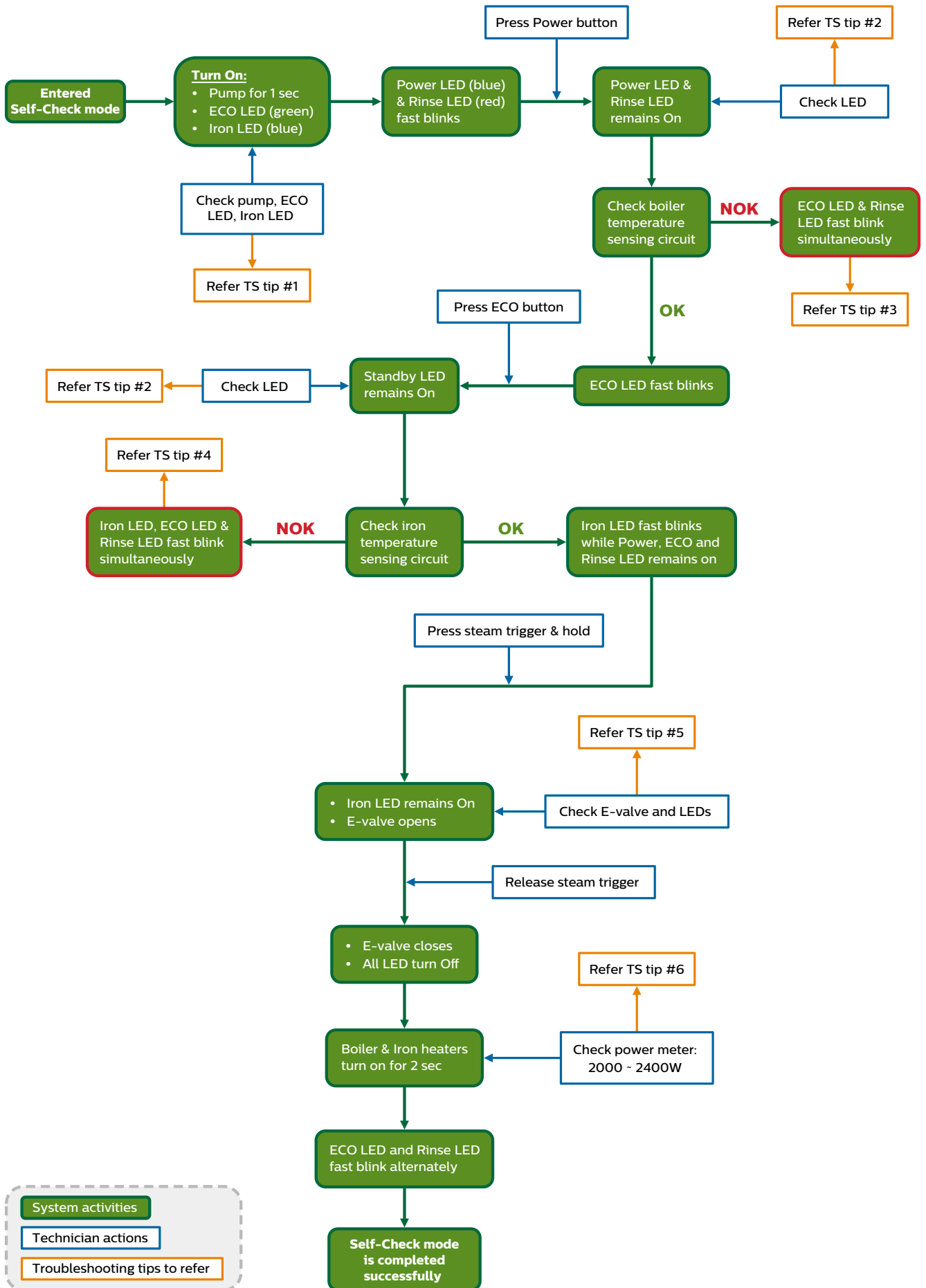


If fail to enter Self-Check mode, could be due to:

1. No power to PCBA
2. Button(s) malfunction
3. Steam trigger malfunction *
4. Timing incorrect

* Refer to Trouble shooting tip #9 - trigger press is not detected

5.4. Perform Self-Check mode Process Flow Chart



5.5. Troubleshooting Tips

1. No pumping sound, fault could be on: TS tip #1

- a) Pump → [check by apply AC voltage directly](#)
- b) Power PCBA → [check by driving a known good pump](#)
- c) Connection → [check wire continuity](#)

2. Iron LED does not light up as specified, fault could be on:

- a) Iron LED or hose cord wiring → [disconnect connector 9010 from Power PCBA and measure across 9010 female side blue wire and iron Neutral to check diode characteristics](#)
- b) Power PCBA → [check by test another board](#)

3. Other LEDs do not light up as specified, fault should be on **PCBA**

1. LEDs do not light up as specified, fault could be on **button pressed** TS tip #2

1. Boiler temperature sensing circuit error, fault could be on: TS tip #3

- a) Thermistor → [check the resistance, should be around 200+ kΩ](#)
- b) Power PCBA → [check by test another board](#)
- c) Connection → [check wire continuity](#)

1. Iron temperature sensing circuit error, fault could be on: TS tip #4

- a) Thermistor → [check the resistance, should be around 200+ kΩ](#)
- b) Power PCBA → [check by test another board](#)
- c) Connection → [check wire continuity, especially hose cord](#)

1. E-valve does not open when steam trigger is pressed: TS tip #5

- If iron LED still keeps blinking, trigger press is not detected, fault could be on:
 - a) Trigger mechanism or hose cord connection → [disconnect connector 9010 from Power PCBA and measure continuity across the black wire and iron Neutral, it should be short circuit when trigger is pressed, and open circuit when trigger is released](#)
 - b) Power PCBA → [check by test another board](#)
- If iron LED becomes steady on when press steam trigger, and system shows completed Self-Check mode successfully after release the trigger → [check E-valve related parts and Power PCBA](#)

1. Power meter does not show 2000 ~ 2400 W when both heaters turn on: TS tip #6

- a) Fuse or heating element Open Circuit → [check resistance between Live and Neutral signal](#)
- b) Power PCBA → [check by test another board](#)

Determine which heater has issue based on power meter reading:
Boiler power: 1200 - 1500 W; Iron power: 750 - 850 W

Record History

GC8615 - RI8645

Version 1: Created on Mar 2016
Consolidated GC86xx service manual