

PerfectCare Aqua and Aqua Upgrade

Service
Service
Service

| | | | |
|---------------|---------------|---------------|---------------|
| GC8615 | GC8622 | GC8635 | GC8644 |
| GC8616 | GC8623 | GC8636 | GC8646 |
| GC8619 | GC8624 | GC8638 | GC8650 |
| GC8620 | GC8625 | GC8640 | GC8651 |
| GC8621 | GC8626 | GC8641 | GC8652 |
| | GC8627 | GC8642 | RI8640 |
| | GC8630 | GC8643 | RI8645 |

Philips Consumer Lifestyle

Version 5

Service Manual

31 - Aug - 2016

Product information

Fast & powerful crease removal

- OptimalTemp
- Continuous steam output: 90 - 120 g/min
- Vertical steam
- Steam pressure: 4 - 6.3 bar
- Steam tip
- Power: 1800 - 2400 W

Easy to use

- Water tank capacity: 2200 - 2500 ml
- Filling and emptying water: Extra large filling hole
- Refill any time
- Heat-up time: 2 min
- Hose storage: Hose storage compartment
- Power cord length: 1.8 m
- Hose length: 1.6 m
- Safe for all fabrics: Even for delicates like silks
- Low water alarm

Calc management

- Suitable for tap water
- Calc clean solution: Easy De-calc
- Calc clean reminder

Safety Information

- This product meets the requirements regarding interference suppression on radio and TV.
- After the product has been repaired, it should function properly and has to meet the safety requirements and legal regulations as officially laid down at this moment.

Technical information

- Dimension (F-box) : 362 x 270 x 263 mm (D x W x H)
- Weight of iron : 1 kg
- Weight of iron + base : 4.5 kg

Water advice

Suitable for tap water use. Advice to mix with equal portion of distilled water or use only distilled water if the tap water is very hard.

Soleplate: Steam Glide

New SteamGlide soleplate is the best Philips soleplate. It has great scratch resistancy, glides excellent and is easy to clean.

Technical information

GC8615 - RI8645

OptimalTemp Technology

- Always deliver 1 perfect setting for all your clothes thanks to:
 1. Cylonic steam chamber
 2. Advance Smart control processor
- 100% easy to use, no adjustment required.
- 100% safe on all delicate fabrics.
- 100% fast on the toughest fabrics.

Tested and approved by experts

Tested and approved by independent textile experts institutes.

Steam pressure: Up to 5 bar

Double your ironing speed with pressurized steam.

2.2L fully visible water tank

Large water tank ensures long hours of ironing without refill of water tank.

Lock your iron securely

Lock your iron securely and carry your steam generator easily.

Easy De- Calc

Easy De- Calc, hassle free & effective scale removal to extend the life of your steam generator.

Product matrix



| Model Number | GC8615/02 GC8615/07 | GC8616/30 GC8616/31 GC8616/97 | GC8619/30 | GC8620/02 GC8620/07 |
|---------------------|------------------------|-------------------------------------|--------------------|------------------------|
| Power | 2400 W | 2400 W | 2400 W | 2400 W |
| Voltage | 220-240V / 50-60Hz | 220-240V / 50-60Hz | 220-240V / 50-60Hz | 220-240V / 50-60Hz |
| Heat-up time | 2 min | 2 min | 2 min | 2 min |
| OptimalTEMP | Yes | Yes | Yes | Yes |
| Steam pressure | Up to 5 bar | Up to 5 bar | Up to 5.3 bar | Up to 5 bar |
| Continuous Steam | 120 g/min | 120 g/min | 120 g/min | 120 g/min |
| Steam boost | No | 240 g | 260 g | 180 g |
| Vertical steam | Yes | Yes | Yes | Yes |
| Soleplate | SteamGlide | SteamGlide | SteamGlide | SteamGlide |
| Calc clean solution | Easy De-calc | Easy De-calc | Easy De-calc | Easy De-calc |
| Safety auto off | No | No | No | No |
| Storage solution | No | No | No | No |
| Water tank | 2200 ml | 2500 ml | 2500 ml | 2200 ml |
| Power cord length | 1.8 m | 1.8 m | 1.8 m | 1.8 m |
| Hose length | 1.6 m | 1.7 m | 1.7 m | 1.7 m |



| Model Number | GC8621/02 | GC8622/20 GC8622/21 GC8622/97 | GC8623/20 GC8623/21 | GC8624/20 |
|---------------------|--------------------|-------------------------------------|------------------------|--------------------|
| Power | 2400 W | 2400 W | 2400 W | 2400 W |
| Voltage | 220-240V / 50-60Hz | 220-240V / 50-60Hz | 220-240V / 50-60Hz | 220-240V / 50-60Hz |
| Heat-up time | 2 min | 2 min | 2 min | 2 min |
| OptimalTEMP | Yes | Yes | Yes | Yes |
| Steam pressure | Up to 5 bar | Up to 5.2 bar | Up to 5.3 bar | Up to 5.3 bar |
| Continuous Steam | 120 g/min | 120 g/min | 120 g/min | 120 g/min |
| Steam boost | 180 g | 250 g | 260 g | 265 g |
| Vertical steam | Yes | Yes | Yes | Yes |
| Soleplate | SteamGlide | T-ionicGlide | T-ionicGlide | T-ionicGlide |
| Calc clean solution | Easy De-calc | Easy De-calc | Easy De-calc | Easy De-calc |
| Safety auto off | No | No | No | No |
| Storage solution | Carry lock | No | No | No |
| Water tank | 2200 ml | 2500 ml | 2500 ml | 2500 ml |
| Power cord length | 1.8 m | 1.8 m | 1.8 m | 1.8 m |
| Hose length | 1.6 m | 1.7 m | 1.7 m | 1.7 m |



| Model Number | GC8625/30 | GC8626/20 | GC8627/30 | GC8630/02 GC8630/07 |
|---------------------|--------------------|--------------------|--------------------|------------------------|
| Power | 2400 W | 2400 W | 2400 W | 2400 W |
| Voltage | 220-240V / 50-60Hz | 220-240V / 50-60Hz | 220-240V / 50-60Hz | 220-240V / 50-60Hz |
| Heat-up time | 2 min | 2 min | 2 min | 2 min |
| OptimalTEMP | Yes | Yes | Yes | Yes |
| Steam pressure | Up to 5.8 bar | Up to 5.8 bar | Up to 5.8 bar | Up to 5 bar |
| Continuous Steam | 120 g/min | 120 g/min | 120 g/min | 120 g/min |
| Steam boost | 300 g | 300 g | 310 g | 220 g |
| Vertical steam | Yes | Yes | Yes | Yes |
| Soleplate | SteamGlide Plus | SteamGlide Plus | SteamGlide Plus | SteamGlide |
| Calc clean solution | Easy De-calc | Easy De-calc | Easy De-calc | Easy De-calc |
| Safety auto off | No | No | No | Yes |
| Storage solution | Carry lock | Carry lock | Carry lock | Carry lock |
| Water tank | 2500 ml | 2500 ml | 2500 ml | 2200 ml |
| Power cord length | 1.8 m | 1.8 m | 1.8 m | 1.8 m |
| Hose length | 1.7 m | 1.7 m | 1.7 m | 1.6 m |



| Model Number | GC8635/02 GC8635/07 | GC8636/02 GC8636/97 | GC8638/20 GC8638/21 | GC8640/02 GC8640/07 GC8640/97 |
|---------------------|------------------------|------------------------|------------------------|-------------------------------------|
| Power | 2400 W | 2400 W | 2400 W | 2400 W |
| Voltage | 220-240V / 50-60Hz | 220-240V / 50-60Hz | 220-240V / 50-60Hz | 220-240V / 50-60Hz |
| Heat-up time | 2 min | 2 min | 2 min | 2 min |
| OptimalTEMP | Yes | Yes | Yes | Yes |
| Steam pressure | Up to 5 bar | Up to 5 bar | Up to 5.3 bar | Up to 5 bar |
| Continuous Steam | 120 g/min | 120 g/min | 120 g/min | 120 g/min |
| Steam boost | 220 g | 220 g | 280 g | 220 g |
| Vertical steam | Yes | Yes | Yes | Yes |
| Soleplate | SteamGlide | SteamGlide | SteamGlide | SteamGlide |
| Calc clean solution | Easy De-calc | Easy De-calc | Easy De-calc | Easy De-calc |
| Safety auto off | Yes | Yes | Yes | Yes |
| Storage solution | Carry lock | Carry lock | Carry lock | Carry lock |
| Water tank | 2200 ml | 2200 ml | 2500 ml | 2200 ml |
| Power cord length | 1.8 m | 1.8 m | 1.8 m | 1.8 m |
| Hose length | 1.6 m | 1.6 m | 1.7 m | 1.6 m |



| Model Number | GC8641/30 GC8641/31 | GC8642/20 GC8642/21 | GC8643/30 GC8643/31 | GC8644/30 GC8644/31 |
|---------------------|------------------------|------------------------|------------------------|------------------------|
| Power | 2400 W | 2400 W | 2400 W | 2400 W |
| Voltage | 220-240V / 50-60Hz | 220-240V / 50-60Hz | 220-240V / 50-60Hz | 220-240V / 50-60Hz |
| Heat-up time | 2 min | 2 min | 2 min | 2 min |
| OptimalTEMP | Yes | Yes | Yes | Yes |
| Steam pressure | Up to 5.4 bar | Up to 5.4 bar | Up to 6 bar | Up to 6 bar |
| Continuous Steam | 120 g/min | 120 g/min | 120 g/min | 120 g/min |
| Steam boost | 290 g | 290 g | 320 g | 330 g |
| Vertical steam | Yes | Yes | Yes | Yes |
| Soleplate | T-ionicGlide | T-ionicGlide | T-ionicGlide | T-ionicGlide |
| Calc clean solution | Easy De-calc | Easy De-calc | Easy De-calc | Easy De-calc |
| Safety auto off | Yes | Yes | Yes | Yes |
| Storage solution | Carry lock | Carry lock | Carry lock | Carry lock |
| Water tank | 2500 ml | 2500 ml | 2500 ml | 2500 ml |
| Power cord length | 1.8 m | 1.8 m | 1.8 m | 1.8 m |
| Hose length | 1.7 m | 1.7 m | 1.7 m | 1.7 m |

Product matrix

GC8615 - RI8645



| Model Number | GC8646/20 | GC8650/02 GC8650/80 GC8650/81 GC8650/86 GC8650/97 | GC8651/10 | GC8652/80 |
|---------------------|--------------------|---|--------------------|--------------------|
| Power | 2400 W | 2400 W | 2400 W | 2400 W |
| Voltage | 220-240V / 50-60Hz | 220-240V / 50-60Hz | 220-240V / 50-60Hz | 220-240V / 50-60Hz |
| Heat-up time | 2 min | 2 min | 2 min | 2 min |
| OptimalTEMP | Yes | Yes | Yes | Yes |
| Steam pressure | Up to 5.7 bar | Up to 6.2 bar | Up to 6.2 bar | Up to 6.3 bar |
| Continuous Steam | 120 g/min | 120 g/min | 120 g/min | 120 g/min |
| Steam boost | 340 g | 330 g | 330 g | 340 g |
| Vertical steam | Yes | Yes | Yes | Yes |
| Soleplate | SteamGlide Plus | T-ionicGlide | T-ionicGlide | T-ionicGlide |
| Calc clean solution | Easy De-calc | Easy De-calc | Easy De-calc | Easy De-calc |
| Safety auto off | Yes | Yes | Yes | Yes |
| Storage solution | Carry lock | Carry lock | Carry lock | Carry lock |
| Water tank | 2500 ml | 2500 ml | 2500 ml | 2500 ml |
| Power cord length | 1.8 m | 1.8 m | 1.8 m | 1.8 m |
| Hose length | 1.7 m | 1.7 m | 1.7 m | 1.7 m |



| Model Number | RI8640/02 | RI8640/12 | RI8645/82 | RI8645/84 |
|---------------------|--------------|--------------|--------------|--------------|
| Power | 2000 W | 1800 W | 2000 W | 2000 W |
| Voltage | 220V / 60Hz | 127V / 60Hz | 220V / 60Hz | 127V / 60Hz |
| Heat-up time | 3 min | 3 min | 3 min | 3 min |
| OptimalTEMP | Yes | Yes | Yes | Yes |
| Steam pressure | Up to 4 bar | Up to 4 bar | Up to 4 bar | Up to 4 bar |
| Continuous Steam | 90 g/min | 90 g/min | 90 g/min | 90 g/min |
| Steam boost | 200 g | 200 g | 200 g | 200 g |
| Vertical steam | Yes | Yes | Yes | Yes |
| Soleplate | SteamGlide | SteamGlide | SteamGlide | SteamGlide |
| Calc clean solution | Easy De-calc | Easy De-calc | Easy De-calc | Easy De-calc |
| Safety auto off | Yes | Yes | Yes | Yes |
| Storage solution | Carry lock | Carry lock | Carry lock | Carry lock |
| Water tank | 2200 ml | 2200 ml | 2500 ml | 2500 ml |
| Power cord length | 1.8 m | 1.8 m | 1.8 m | 1.8 m |
| Hose length | 1.6 m | 1.6 m | 1.6 m | 1.6 m |

- LIGHT STRIP CAP ASSY 1
- INLAY AND LIGHT STRIP ASSY 2
- REFLECTOR MOLDED 3
- LED MICROSWITCH HOLDER ASSY 4
- TRIGGER SPRING 5
- TRIGGER MOLDED 6
- MICA PLATE 7
- PLASTIC WASHER (1x) 8 (FRONT)
- DECORATION CAP PRINTED 9

Remove **Screw A**
 Disassemble **LIGHT STRIP 1**

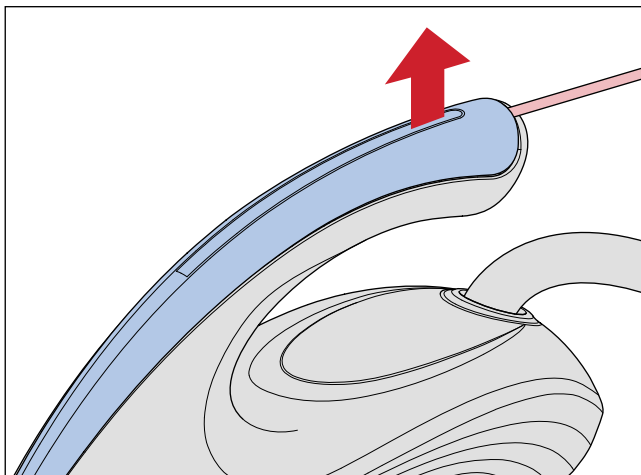


Fig 1. Using “-” screw driver to lift up the Inlay and release the catch at the end of the handle.

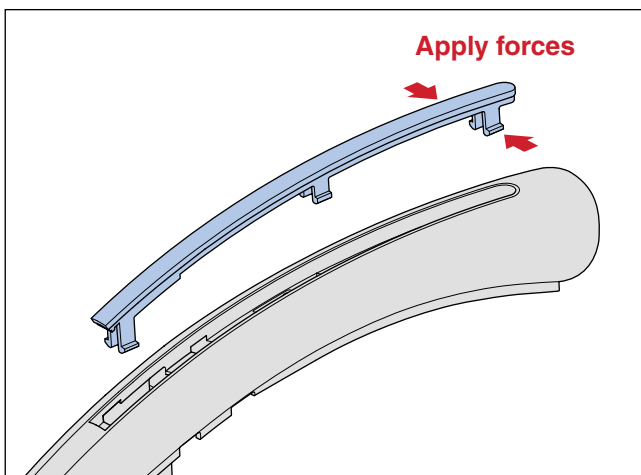


Fig 2. Position of the catch to be applied forces at the end of the handle.

Remove **Screw B**
 Disassemble **INLAY AND LIGHT STRIP ASSY 2**
 Disassemble **REFLECTOR MOLDED 3**
 Remove **Screw C**
 Disassemble **LED MICROSWITCH HOLDER ASSY 4**
 Disassemble **TRIGGER SPRING 5**
 Disassemble **TRIGGER MOLDED 6**
 Remove **Screw D**
 Disassemble **MICA PLATE 7**
 Disassemble **PLASTIC WASHER (1x) 8**
 Remove **Screw E1, E2**
 Remove **Screw F**
 Disassemble **DECORATION CAP PRINTED 9**

- RYTON RING 10
- DEVIATOR HOUSING MOLDED 11
- IRON THERMISTOR ASSY 12
- PLSTIC WASHER (2x) 8 (REAR)
- HOSE CORD MOUNTED ASSY 13
- HOUSING PRINTED 14
- SOLEPLATE MOUNTED ASSY 15

Remove **Screw A**
 Disassemble **LIGHT STRIP 1**
 Remove **Screw B**
 Disassemble **INLAY AND LIGHT STRIP ASSY 2**
 Disassemble **REFLECTOR MOLDED 3**
 Remove **Screw C**
 Remove **Screw E1, E2**
 Remove **Screw D**
 Disassemble **MICA PLATE 7**
 Disassemble **PLASTIC WASHER (1x) 8**
 Disassemble **RYTON RING 10**
 Remove **Screw G1 - G4**
 Disassemble **DEVIATOR HOUSING MOLDED 11**
 Remove **Screw H**
 Disassemble **IRON THERMISTOR ASSY 12**
 Remove **Screw I1, I2**
 Disassemble **PLASTIC WASHER (2x) 8**
 Disconnect **Wires**
 Release **Hose clip (2x)**
 Remove **Screw J**
 Disconnect **Wires**
 Disassemble **HOSE CORD MOUNTED ASSY 13**
 Disassemble **HOUSING PRINTED 14**
 Disassemble **SOLEPLATE MOUNTED ASSY 15**

| |
|------------------------|
| FILLING DOOR MOLDED 16 |
| REAR LOCK RUBBER 17 |
| TRAY RUBBER CAP 18 |
| TRAY CAP MOLDED 19 |
| TRAY PRINTED 20 |
| FRONT LOCK ASSY 21 |
| WATER TANK ASSY 22 |

- Disassemble **FILLING DOOR MOLDED 16**
- Disassemble **REAR LOCK RUBBER 17**
- Remove **TRAY RUBBER CAP 18 (4x)**
- Remove **Screw K1 - K4**
- Remove **TRAY CAP MOLDED 19 (2x)**
- Remove **Screw L1, L2**
- Disassemble **TRAY PRINTED 20**
- Remove **Screw M1, M2**
- Disassemble **FRONT LOCK ASSY 21**
- Remove **Screw N1 - N5**
- Disassemble **WATER TANK ASSY 22**

| |
|-------------------------------|
| RINSE CAP ASSY 23 |
| SAFETY CAP 24 |
| INOX CLAMP 25 |
| BRAIDED RUBBER HOSE BOILER 26 |
| ELECTROVALVE 27 |
| SPACER TOP 28 |
| RINSE HOUSING CAP PRINTED 29 |
| RINSE HOUSING MOLDED 30 |
| O-RING 31 |
| BOILER ASSY 32 |
| BOILER SUPPORT BRACKET 33 |
| SPACER BOTTOM 34 |
| BOILER THERMISTOR ASSY 35 |

- Disassemble **RINSE CAP ASSY 23**
- Remove **Screw N1 - N5**
- Disassemble **WATER TANK ASSY 22**
- Remove **SAFETY CAP 24**
- Release **INOX CLAMP 25 (2x)**
- Disassemble **BRAIDED RUBBER HOSE BOILER 26**
- Release **Hose clip**
- Disconnect **Wires**
- Disassemble **ELECTROVALVE 27**
- Remove **Screw O1, O2**
- Remove **Screw P**
- Remove **SPACER TOP 28**
- Remove **Screw Q**
- Disassemble **RINSE HOUSING CAP PRINTED 29**
- Remove **Screw R**
- Disassemble **RINSE HOUSING MOLDED 30**
- Disassemble **O-RING 31**
- Disassemble **BOILER ASSY 32**
- Disassemble **BOILER SUPPORT BRACKET 33**
- Remove **SPACER BOTTOM 34**
- Disassemble **BOILER THERMISTOR ASSY 35**

POWER BUTTON PRINTED 36

BUTTON FRAME PRINTED 37

POWER BOARD PCB-PUMP 38A

SERVICE KIT 38B

POWER CORD EU 39

STAND BOTTOM MOLDED 40

- Remove **Screw N1 - N5**
- Disassemble **WATER TANK ASSY 22**
- Remove **Screw S1 - S3**
- Disassemble **POWER BUTTON PRINTED 36**
- Disassemble **BUTTON FRAME PRINTED 37**
- Remove **Screw T**
- Release **INOX CLAMP 25 (2x)**
- Disassemble **BRAIDED RUBBER HOSE BOILER 26**
- Disconnect **Wires**
- Disassemble **POWER BOARD PCB-PUMP 38A**
- Disassemble **SERVICE KIT 38B**
- Remove **Screw U1, U2**
- Disassemble **Cord clamp**
- Disassemble **POWER CORD EU 39**
- Disassemble **STAND BOTTOM MOLDED 40**

| Pos | Description | GC8615/02 | GC8615/07 | GC8616/30 | GC8616/31 |
|-----|-------------------------------------|-----------------------|-----------------------|-----------------------|-----------------------|
| | | Service code | Service code | Service code | Service code |
| 1 | Light strip cap assy | 4239 021 70734 | 4239 021 70734 | - | - |
| 2 | Inlay and light strip assy | 4239 021 70723 | 4239 021 70723 | 4239 021 81721 | 4239 021 81721 |
| 3 | Reflector molded | 4239 026 49561 | 4239 026 49561 | 4239 026 49561 | 4239 026 49561 |
| 4 | LED microswitch holder assy | 4239 021 71942 | 4239 021 71942 | 4239 021 71942 | 4239 021 71942 |
| 5 | Trigger spring | 4239 014 54961 | 4239 014 54961 | 4239 014 54961 | 4239 014 54961 |
| 6 | Trigger molded | 4239 026 49752 | 4239 026 49752 | 4239 026 57171 | 4239 026 57171 |
| 7 | Mica plate | 4239 010 12911 | 4239 010 12911 | 4239 010 12911 | 4239 010 12911 |
| 8 | Plastic washer | 4239 026 49501 | 4239 026 49501 | 4239 026 49501 | 4239 026 49501 |
| 9 | Decoration cap printed | 4239 021 70741 | 4239 021 70741 | 4239 021 81701 | 4239 021 81701 |
| 10 | Ryton ring | 4239 015 70153 | 4239 015 70153 | 4239 015 70153 | 4239 015 70153 |
| 11 | Deviator housing molded | 4239 026 49491 | 4239 026 49491 | 4239 026 49491 | 4239 026 49491 |
| 12 | Iron thermistor assy | 4239 021 69942 | 4239 021 69942 | 4239 021 69942 | 4239 021 69942 |
| 13 | Hose cord mounted assy | 4239 021 70703 | 4239 021 70703 | 4239 021 81731 | 4239 021 81731 |
| 14 | Housing printed | 4239 021 70692 | 4239 021 70692 | 4239 021 70692 | 4239 021 70692 |
| 15 | Soleplate mounted assy | 4239 021 70651 | 4239 021 70651 | 4239 021 70653 | 4239 021 70653 |
| 16 | Filling door molded | 4239 026 49714 | 4239 026 49714 | 4239 026 57131 | 4239 026 57131 |
| 17 | Rear lock rubber | N/A | N/A | N/A | N/A |
| 18 | Tray rubber cap | 4239 015 59731 | 4239 015 59731 | 4239 015 59731 | 4239 015 59731 |
| 19 | Tray cap molded | 4239 026 51861 | 4239 026 51861 | 4239 026 51861 | 4239 026 51861 |
| 20 | Tray printed | 4239 021 72991 | 4239 021 72991 | 4239 021 81791 | 4239 021 81791 |
| 21 | Front lock assy | N/A | N/A | N/A | N/A |
| 22 | Water tank assy | 4239 021 70812 | 4239 021 70812 | 4239 021 81681 | 4239 021 81681 |
| 23 | Rinse cap assy | 4239 021 71672 | 4239 021 71672 | 4239 021 81671 | 4239 021 81671 |
| 24 | Safety cap | 4239 015 59791 | 4239 015 59791 | 4239 015 59791 | 4239 015 59791 |
| 25 | Inox clamp | 4239 010 10261 | 4239 010 10261 | 4239 010 10261 | 4239 010 10261 |
| 26 | Braided rubber hose Boiler | 4239 015 59771 | 4239 015 59771 | 4239 015 59771 | 4239 015 59771 |
| 27 | Electrovalve | 4239 017 12802 | 4239 017 12802 | - | - |
| 28 | Spacer top | 4239 026 51241 | 4239 026 51241 | 4239 026 51241 | 4239 026 51241 |
| 29 | Rinse housing cap assy | 4239 021 72612 | 4239 021 72612 | 4239 021 72612 | 4239 021 72612 |
| 30 | Rinse housing assy | 4239 026 49732 | 4239 026 49732 | 4239 026 49732 | 4239 026 49732 |
| 31 | O-ring | 4239 015 59751 | 4239 015 59751 | 4239 015 59751 | 4239 015 59751 |
| 32 | Boiler assy | 4239 021 69891 | 4239 021 69891 | 4239 021 69892 | 4239 021 69892 |
| 33 | Boiler support bracket | 4239 026 42581 | 4239 026 42581 | 4239 026 42581 | 4239 026 42581 |
| 34 | Spacer bottom | 4239 026 32181 | 4239 026 32181 | 4239 026 32181 | 4239 026 32181 |
| 35 | Boiler thermistor assy | 4239 021 69951 | 4239 021 69951 | 4239 021 69951 | 4239 021 69951 |
| 36 | Power button printed | 4239 021 70773 | 4239 021 70773 | 4239 021 70773 | 4239 021 70773 |
| 37 | Button frame printed | 4239 021 70763 | 4239 021 70763 | 4239 021 70764 | 4239 021 70764 |
| 38A | Pump assy | - | - | - | - |
| 38B | Service assy - Power board PCB-Pump | 4239 022 67101 | 4239 022 67101 | 4239 022 67101 | 4239 022 67101 |
| 39A | Power Cord EU - PVC | 2422 070 98399 | 2422 070 98399 | 2422 070 98399 | 2422 070 98399 |
| 39B | Power Cord AU | N/A | N/A | N/A | N/A |
| 39C | Power Cord UK | N/A | N/A | N/A | N/A |
| 39D | Power Cord EU - Cotton Braided | N/A | N/A | N/A | N/A |
| 39E | Power Cord BR | N/A | N/A | N/A | N/A |
| 40 | Stand bottom molded | 4239 026 50432 | 4239 026 50432 | 4239 026 50435 | 4239 026 50435 |
| 41 | Pump Inlet elbow | - | - | - | - |
| 42 | Corrugated tube | - | - | - | - |

| Pos | Description | GC8616/97 | GC8619/30 | GC8620/02 | GC8620/07 |
|-----|-------------------------------------|-----------------------|-----------------------|-----------------------|-----------------------|
| | | Service code | Service code | Service code | Service code |
| 1 | Light strip cap assy | - | - | 4239 021 70734 | 4239 021 70734 |
| 2 | Inlay and light strip assy | 4239 021 81721 | 4239 021 76361 | 4239 021 70843 | 4239 021 70843 |
| 3 | Reflector molded | 4239 026 49561 | 4239 026 49561 | 4239 026 49561 | 4239 026 49561 |
| 4 | LED microswitch holder assy | 4239 021 71942 | 4239 021 71942 | 4239 021 71942 | 4239 021 71942 |
| 5 | Trigger spring | 4239 014 54961 | 4239 014 54961 | 4239 014 54961 | 4239 014 54961 |
| 6 | Trigger molded | 4239 026 57171 | 4239 026 49753 | 4239 026 50372 | 4239 026 50372 |
| 7 | Mica plate | 4239 010 12911 | 4239 010 12911 | 4239 010 12911 | 4239 010 12911 |
| 8 | Plastic washer | 4239 026 49501 | 4239 026 49501 | 4239 026 49501 | 4239 026 49501 |
| 9 | Decoration cap printed | 4239 021 81701 | 4239 021 70741 | 4239 021 70901 | 4239 021 70901 |
| 10 | Ryton ring | 4239 015 70153 | 4239 015 70153 | 4239 015 70153 | 4239 015 70153 |
| 11 | Deviator housing molded | 4239 026 49491 | 4239 026 49492 | 4239 026 49491 | 4239 026 49491 |
| 12 | Iron thermistor assy | 4239 021 69942 | 4239 021 69942 | 4239 021 69942 | 4239 021 69942 |
| 13 | Hose cord mounted assy | 4239 021 81731 | 4239 021 70708 | 4239 021 71993 | 4239 021 71993 |
| 14 | Housing printed | 4239 021 70692 | 4239 021 70693 | 4239 021 70692 | 4239 021 70692 |
| 15 | Soleplate mounted assy | 4239 021 70653 | 4239 021 82851 | 4239 021 70651 | 4239 021 70651 |
| 16 | Filling door molded | 4239 026 57131 | 4239 026 49714 | 4239 026 50134 | 4239 026 50134 |
| 17 | Rear lock rubber | N/A | N/A | N/A | N/A |
| 18 | Tray rubber cap | 4239 015 59731 | 4239 015 59731 | 4239 015 59731 | 4239 015 59731 |
| 19 | Tray cap molded | 4239 026 51861 | 4239 026 51861 | 4239 026 51861 | 4239 026 51861 |
| 20 | Tray printed | 4239 021 81791 | 4239 021 87781 | 4239 021 70852 | 4239 021 70852 |
| 21 | Front lock assy | N/A | N/A | N/A | N/A |
| 22 | Water tank assy | 4239 021 81681 | 4239 021 70814 | 4239 021 71523 | 4239 021 71523 |
| 23 | Rinse cap assy | 4239 021 81671 | 4239 021 71672 | 4239 021 70862 | 4239 021 70862 |
| 24 | Safety cap | 4239 015 59791 | 4239 015 59791 | 4239 015 59791 | 4239 015 59791 |
| 25 | Inox clamp | 4239 010 10261 | 4239 010 10261 | 4239 010 10261 | 4239 010 10261 |
| 26 | Braided rubber hose Boiler | 4239 015 59771 | 4239 015 59771 | 4239 015 59771 | 4239 015 59771 |
| 27 | Electrovalve | - | 2922 021 99016 | 4239 017 12802 | 4239 017 12802 |
| 28 | Spacer top | 4239 026 51241 | 4239 026 51241 | 4239 026 51241 | 4239 026 51241 |
| 29 | Rinse housing cap assy | 4239 021 72612 | 4239 021 72612 | 4239 021 72612 | 4239 021 72612 |
| 30 | Rinse housing assy | 4239 026 49732 | 4239 026 49732 | 4239 026 49732 | 4239 026 49732 |
| 31 | O-ring | 4239 015 59751 | 4239 015 59751 | 4239 015 59751 | 4239 015 59751 |
| 32 | Boiler assy | 4239 021 69892 | 4239 021 69892 | 4239 021 69891 | 4239 021 69891 |
| 33 | Boiler support bracket | 4239 026 42581 | 4239 026 42581 | 4239 026 42581 | 4239 026 42581 |
| 34 | Spacer bottom | 4239 026 32181 | 4239 026 32181 | 4239 026 32181 | 4239 026 32181 |
| 35 | Boiler thermistor assy | 4239 021 69951 | 4239 021 69951 | 4239 021 69951 | 4239 021 69951 |
| 36 | Power button printed | 4239 021 70773 | 4239 021 70773 | 4239 021 70772 | 4239 021 70772 |
| 37 | Button frame printed | 4239 021 70764 | 4239 021 70764 | 4239 021 70762 | 4239 021 70762 |
| 38A | Pump assy | - | - | - | - |
| 38B | Service assy - Power board PCB-Pump | 4239 022 67101 | 4239 022 67101 | 4239 022 67101 | 4239 022 67101 |
| 39A | Power Cord EU - PVC | 2422 070 98399 | 2422 070 98399 | 2422 070 98399 | 2422 070 98399 |
| 39B | Power Cord AU | N/A | N/A | N/A | N/A |
| 39C | Power Cord UK | N/A | N/A | 2422 070 98412 | 2422 070 98412 |
| 39D | Power Cord EU - Cotton Braided | N/A | N/A | N/A | N/A |
| 39E | Power Cord BR | N/A | N/A | N/A | N/A |
| 40 | Stand bottom molded | 4239 026 50435 | 4239 026 50438 | 4239 026 50432 | 4239 026 50432 |
| 41 | Pump Inlet elbow | - | - | - | - |
| 42 | Corrugated tube | - | 4239 015 59541 | - | - |

| Pos | Description | GC8621/02 | GC8622/20 | GC8622/21 | GC8622/97 |
|-----|-------------------------------------|--------------|-----------------------|-----------------------|-----------------------|
| | | Service code | Service code | Service code | Service code |
| 1 | Light strip cap assy | | - | - | - |
| 2 | Inlay and light strip assy | | 4239 021 76351 | 4239 021 76351 | 4239 021 76351 |
| 3 | Reflector molded | | 4239 026 49561 | 4239 026 49561 | 4239 026 49561 |
| 4 | LED microswitch holder assy | | 4239 021 71942 | 4239 021 71942 | 4239 021 71942 |
| 5 | Trigger spring | | 4239 014 54961 | 4239 014 54961 | 4239 014 54961 |
| 6 | Trigger molded | | 4239 026 50372 | 4239 026 50372 | 4239 026 50372 |
| 7 | Mica plate | | 4239 010 12911 | 4239 010 12911 | 4239 010 12911 |
| 8 | Plastic washer | | 4239 026 49501 | 4239 026 49501 | 4239 026 49501 |
| 9 | Decoration cap printed | | 4239 021 70901 | 4239 021 70901 | 4239 021 70901 |
| 10 | Ryton ring | | 4239 015 70153 | 4239 015 70153 | 4239 015 70153 |
| 11 | Deviator housing molded | | 4239 026 49491 | 4239 026 49491 | 4239 026 49491 |
| 12 | Iron thermistor assy | | 4239 021 69942 | 4239 021 69942 | 4239 021 69942 |
| 13 | Hose cord mounted assy | | 4239 021 71995 | 4239 021 71995 | 4239 021 71995 |
| 14 | Housing printed | | 4239 021 70692 | 4239 021 70692 | 4239 021 70692 |
| 15 | Soleplate mounted assy | | 4239 021 82851 | 4239 021 82851 | 4239 021 82851 |
| 16 | Filling door molded | | 4239 026 50134 | 4239 026 50134 | 4239 026 50134 |
| 17 | Rear lock rubber | | N/A | N/A | N/A |
| 18 | Tray rubber cap | | 4239 015 59731 | 4239 015 59731 | 4239 015 59731 |
| 19 | Tray cap molded | | 4239 026 51861 | 4239 026 51861 | 4239 026 51861 |
| 20 | Tray printed | | 4239 021 82101 | 4239 021 82101 | 4239 021 82101 |
| 21 | Front lock assy | | N/A | N/A | N/A |
| 22 | Water tank assy | | 4239 021 82191 | 4239 021 82191 | 4239 021 82191 |
| 23 | Rinse cap assy | | 4239 021 70862 | 4239 021 70862 | 4239 021 70862 |
| 24 | Safety cap | | 4239 015 59791 | 4239 015 59791 | 4239 015 59791 |
| 25 | Inox clamp | | 4239 010 10261 | 4239 010 10261 | 4239 010 10261 |
| 26 | Braided rubber hose Boiler | | 4239 015 59771 | 4239 015 59771 | 4239 015 59771 |
| 27 | Electrovalve | | - | - | - |
| 28 | Spacer top | | 4239 026 51241 | 4239 026 51241 | 4239 026 51241 |
| 29 | Rinse housing cap assy | | 4239 021 72612 | 4239 021 72612 | 4239 021 72612 |
| 30 | Rinse housing assy | | 4239 026 49732 | 4239 026 49732 | 4239 026 49732 |
| 31 | O-ring | | 4239 015 59751 | 4239 015 59751 | 4239 015 59751 |
| 32 | Boiler assy | | 4239 021 69892 | 4239 021 69892 | 4239 021 69892 |
| 33 | Boiler support bracket | | 4239 026 42581 | 4239 026 42581 | 4239 026 42581 |
| 34 | Spacer bottom | | 4239 026 32181 | 4239 026 32181 | 4239 026 32181 |
| 35 | Boiler thermistor assy | | 4239 021 69951 | 4239 021 69951 | 4239 021 69951 |
| 36 | Power button printed | | 4239 021 70773 | 4239 021 70773 | 4239 021 70773 |
| 37 | Button frame printed | | 4239 021 70764 | 4239 021 70764 | 4239 021 70764 |
| 38A | Pump assy | | - | - | - |
| 38B | Service assy - Power board PCB-Pump | | 4239 022 67101 | 4239 022 67101 | 4239 022 67101 |
| 39A | Power Cord EU - PVC | | 2422 070 98399 | 2422 070 98399 | 2422 070 98399 |
| 39B | Power Cord AU | | N/A | N/A | N/A |
| 39C | Power Cord UK | | N/A | N/A | N/A |
| 39D | Power Cord EU - Cotton Braided | | N/A | N/A | N/A |
| 39E | Power Cord BR | | N/A | N/A | N/A |
| 40 | Stand bottom molded | | 4239 026 50432 | 4239 026 50432 | 4239 026 50432 |
| 41 | Pump Inlet elbow | | - | - | - |
| 42 | Corrugated tube | | - | - | - |

| Pos | Description | GC8623/20 | GC8623/21 | GC8624/20 | GC8625/30 |
|-----|-------------------------------------|-----------------------|-----------------------|-----------------------|-----------------------|
| | | Service code | Service code | Service code | Service code |
| 1 | Light strip cap assy | - | - | - | - |
| 2 | Inlay and light strip assy | 4239 021 76351 | 4239 021 76351 | 4239 021 76351 | 4239 021 76351 |
| 3 | Reflector molded | 4239 026 49561 | 4239 026 49561 | 4239 026 49561 | 4239 026 49561 |
| 4 | LED microswitch holder assy | 4239 021 71942 | 4239 021 71942 | 4239 021 71942 | 4239 021 71942 |
| 5 | Trigger spring | 4239 014 54961 | 4239 014 54961 | 4239 014 54961 | 4239 014 54961 |
| 6 | Trigger molded | 4239 026 50372 | 4239 026 50372 | 4239 026 50373 | 4239 026 50373 |
| 7 | Mica plate | 4239 010 12911 | 4239 010 12911 | 4239 010 12911 | 4239 010 12911 |
| 8 | Plastic washer | 4239 026 49501 | 4239 026 49501 | 4239 026 49501 | 4239 026 49501 |
| 9 | Decoration cap printed | 4239 021 70901 | 4239 021 70901 | 4239 021 70901 | 4239 021 70901 |
| 10 | Ryton ring | 4239 015 70153 | 4239 015 70153 | 4239 015 70153 | 4239 015 70153 |
| 11 | Deviator housing molded | 4239 026 49491 | 4239 026 49491 | 4239 026 49492 | 4239 026 49491 |
| 12 | Iron thermistor assy | 4239 021 69942 | 4239 021 69942 | 4239 021 69942 | 4239 021 69942 |
| 13 | Hose cord mounted assy | 4239 021 71995 | 4239 021 71995 | 4239 021 71993 | 4239 021 71997 |
| 14 | Housing printed | 4239 021 70692 | 4239 021 70692 | 4239 021 70693 | 4239 021 70692 |
| 15 | Soleplate mounted assy | 4239 021 82851 | 4239 021 82851 | 4239 021 82851 | 4239 021 82851 |
| 16 | Filling door molded | 4239 026 50134 | 4239 026 50134 | 4239 026 50134 | 4239 026 49714 |
| 17 | Rear lock rubber | N/A | N/A | N/A | 4239 021 59741 |
| 18 | Tray rubber cap | 4239 015 59731 | 4239 015 59731 | 4239 015 59731 | 4239 015 59731 |
| 19 | Tray cap molded | 4239 026 51841 | 4239 026 51841 | 4239 026 51841 | 4239 026 51862 |
| 20 | Tray printed | 4239 021 82111 | 4239 021 82111 | 4239 021 87011 | 4239 021 93701 |
| 21 | Front lock assy | N/A | N/A | N/A | 4239 021 78603 |
| 22 | Water tank assy | 4239 021 82191 | 4239 021 82191 | 4239 021 82191 | 4239 021 70814 |
| 23 | Rinse cap assy | 4239 021 70862 | 4239 021 70862 | 4239 021 70862 | 4239 021 71672 |
| 24 | Safety cap | 4239 015 59791 | 4239 015 59791 | 4239 015 59791 | 4239 015 59791 |
| 25 | Inox clamp | 4239 010 10261 | 4239 010 10261 | 4239 010 10261 | 4239 010 10261 |
| 26 | Braided rubber hose Boiler | 4239 015 59771 | 4239 015 59771 | 4239 015 59771 | 4239 015 59771 |
| 27 | Electrovalve | - | - | 2922 021 99016 | 2922 021 99016 |
| 28 | Spacer top | 4239 026 51241 | 4239 026 51241 | 4239 026 51241 | 4239 026 51241 |
| 29 | Rinse housing cap assy | 4239 021 72612 | 4239 021 72612 | 4239 021 72612 | 4239 021 72612 |
| 30 | Rinse housing assy | 4239 026 49732 | 4239 026 49732 | 4239 021 98481 | 4239 021 98481 |
| 31 | O-ring | 4239 015 59751 | 4239 015 59751 | 4239 015 58201 | 4239 015 59751 |
| 32 | Boiler assy | 4239 021 69892 | 4239 021 69892 | 4239 021 69892 | 4239 021 69891 |
| 33 | Boiler support bracket | 4239 026 42581 | 4239 026 42581 | 4239 026 42581 | 4239 026 42581 |
| 34 | Spacer bottom | 4239 026 32181 | 4239 026 32181 | 4239 026 32181 | 4239 026 32181 |
| 35 | Boiler thermistor assy | 4239 021 69951 | 4239 021 69951 | 4239 021 69951 | 4239 021 69951 |
| 36 | Power button printed | 4239 021 70773 | 4239 021 70773 | 4239 021 70773 | 4239 021 70772 |
| 37 | Button frame printed | 4239 021 70764 | 4239 021 70764 | 4239 021 70764 | 4239 021 70762 |
| 38A | Pump assy | - | - | - | - |
| 38B | Service assy - Power board PCB-Pump | 4239 022 67101 | 4239 022 67101 | 4239 022 67101 | 4239 022 67101 |
| 39A | Power Cord EU - PVC | 2422 070 98399 | 2422 070 98399 | 2422 070 98399 | 2422 070 98399 |
| 39B | Power Cord AU | N/A | N/A | N/A | 2422 070 98418 |
| 39C | Power Cord UK | N/A | N/A | 2422 070 98412 | 2422 070 98564 |
| 39D | Power Cord EU - Cotton Braided | N/A | N/A | N/A | N/A |
| 39E | Power Cord BR | N/A | N/A | N/A | N/A |
| 40 | Stand bottom molded | 4239 026 50116 | 4239 026 50116 | 4239 026 50118 | 4239 026 50438 |
| 41 | Pump Inlet elbow | - | - | 4239 015 59561 | 4239 015 59561 |
| 42 | Corrugated tube | - | - | 4239 015 59541 | 4239 015 59541 |

| Pos | Description | GC8626/20 | GC8627/30 | GC8630/02 | GC8630/07 |
|-----|-------------------------------------|------------------------------|------------------------------|----------------|----------------|
| | | 889862620291 Service code | 889862730290 Service code | Service code | Service code |
| 1 | Light strip cap assy | - | - | 4239 021 70734 | 4239 021 70734 |
| 2 | Inlay and light strip assy | 4239 021 76351 | 4239 021 81721 | 4239 021 72873 | 4239 021 72873 |
| 3 | Reflector molded | 4239 026 49561 | 4239 026 49561 | 4239 026 49561 | 4239 026 49561 |
| 4 | LED microswitch holder assy | 4239 021 71942 | 4239 021 71942 | 4239 021 71942 | 4239 021 71942 |
| 5 | Trigger spring | 4239 014 54961 | 4239 014 54961 | 4239 014 54961 | 4239 014 54961 |
| 6 | Trigger molded | 4239 026 50373 | 4239 026 57172 | 4239 026 51651 | 4239 026 51651 |
| 7 | Mica plate | 4239 010 12911 | 4239 010 12911 | 4239 010 12911 | 4239 010 12911 |
| 8 | Plastic washer | 4239 026 49501 | 4239 026 49501 | 4239 026 49501 | 4239 026 49501 |
| 9 | Decoration cap printed | 4239 021 70901 | 4239 021 81701 | 4239 021 72841 | 4239 021 72841 |
| 10 | Ryton ring | 4239 015 70153 | 4239 015 70153 | 4239 015 70153 | 4239 015 70153 |
| 11 | Deviator housing molded | 4239 026 49491 | 4239 026 49491 | 4239 026 49491 | 4239 026 49491 |
| 12 | Iron thermistor assy | 4239 021 69942 | 4239 021 69942 | 4239 021 69942 | 4239 021 69942 |
| 13 | Hose cord mounted assy | 4239 021 71997 | 4239 021 81712 | 4239 021 72852 | 4239 021 72852 |
| 14 | Housing printed | 4239 021 70692 | 4239 021 70692 | 4239 021 70692 | 4239 021 70692 |
| 15 | Soleplate mounted assy | 4239 021 82851 | 4239 021 82851 | 4239 021 70651 | 4239 021 70651 |
| 16 | Filling door molded | 4239 026 50134 | 4239 026 57131 | 4239 026 50134 | 4239 026 50134 |
| 17 | Rear lock rubber | 4239 021 59741 | 4239 021 59741 | 4239 015 59741 | 4239 015 59741 |
| 18 | Tray rubber cap | 4239 015 59731 | 4239 015 59731 | 4239 015 59731 | 4239 015 59731 |
| 19 | Tray cap molded | 4239 026 51862 | 4239 026 51862 | 4239 026 51861 | 4239 026 51861 |
| 20 | Tray printed | 4239 021 87011 | 4239 021 93721 | 4239 021 72893 | 4239 021 72893 |
| 21 | Front lock assy | 4239 021 93712 | 4239 021 93732 | 4239 021 71603 | 4239 021 71603 |
| 22 | Water tank assy | 4239 021 82191 | 4239 021 81681 | 4239 021 71523 | 4239 021 71523 |
| 23 | Rinse cap assy | 4239 021 70862 | 4239 021 81671 | 4239 021 72902 | 4239 021 72902 |
| 24 | Safety cap | 4239 015 59791 | 4239 015 59791 | 4239 015 59791 | 4239 015 59791 |
| 25 | Inox clamp | 4239 010 10261 | 4239 010 10261 | 4239 010 10261 | 4239 010 10261 |
| 26 | Braided rubber hose Boiler | 4239 015 59771 | 4239 015 59771 | 4239 015 59771 | 4239 015 59771 |
| 27 | Electrovalve | 2922 021 99016 | 2922 021 99016 | 4239 017 12802 | 4239 017 12802 |
| 28 | Spacer top | 4239 026 51241 | 4239 026 51241 | 4239 026 51241 | 4239 026 51241 |
| 29 | Rinse housing cap assy | 4239 021 72612 | 4239 021 72612 | 4239 021 72612 | 4239 021 72612 |
| 30 | Rinse housing assy | 4239 026 49732 | 4239 021 98481 | 4239 026 49732 | 4239 026 49732 |
| 31 | O-ring | 4239 015 59751 | 4239 015 59751 | 4239 015 59751 | 4239 015 59751 |
| 32 | Boiler assy | 4239 021 69891 | 4239 021 69891 | 4239 021 69891 | 4239 021 69891 |
| 33 | Boiler support bracket | 4239 026 42581 | 4239 026 42581 | 4239 026 42581 | 4239 026 42581 |
| 34 | Spacer bottom | 4239 026 32181 | 4239 026 32181 | 4239 026 32181 | 4239 026 32181 |
| 35 | Boiler thermistor assy | 4239 021 69951 | 4239 021 69951 | 4239 021 69951 | 4239 021 69951 |
| 36 | Power button printed | 4239 021 70772 | 4239 021 70772 | 4239 021 70772 | 4239 021 70772 |
| 37 | Button frame printed | 4239 021 70762 | 4239 021 70762 | 4239 021 70762 | 4239 021 70762 |
| 38A | Pump assy | - | - | - | - |
| 38B | Service assy - Power board PCB-Pump | 4239 022 67101 | 4239 022 67101 | 4239 022 67101 | 4239 022 67101 |
| 39A | Power Cord EU - PVC | 2422 070 98399 | 2422 070 98399 | 2422 070 98402 | 2422 070 98402 |
| 39B | Power Cord AU | 2422 070 98418 | 2422 070 98418 | N/A | N/A |
| 39C | Power Cord UK | 2422 070 98564 | 2422 070 98564 | N/A | N/A |
| 39D | Power Cord EU - Cotton Braided | N/A | N/A | N/A | N/A |
| 39E | Power Cord BR | N/A | N/A | N/A | N/A |
| 40 | Stand bottom molded | 4239 026 50438 | 4239 026 50438 | 4239 026 51662 | 4239 026 51662 |
| 41 | Pump Inlet elbow | 4239 015 59561 | 4239 015 59561 | - | - |
| 42 | Corrugated tube | 4239 015 59541 | 4239 015 59541 | - | - |

| Pos | Description | GC8635/02 | GC8635/07 | GC8636/02 | GC8636/97 |
|-----|-------------------------------------|-----------------------|-----------------------|-----------------------|-----------------------|
| | | Service code | Service code | Service code | Service code |
| 1 | Light strip cap assy | 4239 021 70734 | 4239 021 70734 | 4239 026 53351 | 4239 026 53351 |
| 2 | Inlay and light strip assy | 4239 021 70841 | 4239 021 70841 | 4239 021 76361 | 4239 021 76361 |
| 3 | Reflector molded | 4239 026 49561 | 4239 026 49561 | 4239 026 49561 | 4239 026 49561 |
| 4 | LED microswitch holder assy | 4239 021 71942 | 4239 021 71942 | 4239 021 71942 | 4239 021 71942 |
| 5 | Trigger spring | 4239 014 54961 | 4239 014 54961 | 4239 014 54961 | 4239 014 54961 |
| 6 | Trigger molded | 4239 026 50372 | 4239 026 50372 | 4239 026 49753 | 4239 026 49753 |
| 7 | Mica plate | 4239 010 12911 | 4239 010 12911 | 4239 010 12911 | 4239 010 12911 |
| 8 | Plastic washer | 4239 026 49501 | 4239 026 49501 | 4239 026 49501 | 4239 026 49501 |
| 9 | Decoration cap printed | 4239 021 70901 | 4239 021 70901 | 4239 021 70741 | 4239 021 70741 |
| 10 | Ryton ring | 4239 015 70153 | 4239 015 70153 | 4239 015 70153 | 4239 015 70153 |
| 11 | Deviator housing molded | 4239 026 49491 | 4239 026 49491 | 4239 026 49491 | 4239 026 49491 |
| 12 | Iron thermistor assy | 4239 021 69942 | 4239 021 69942 | 4239 021 69942 | 4239 021 69942 |
| 13 | Hose cord mounted assy | 4239 021 71992 | 4239 021 71992 | 4239 021 70708 | 4239 021 70708 |
| 14 | Housing printed | 4239 021 70692 | 4239 021 70692 | 4239 021 70693 | 4239 021 70693 |
| 15 | Soleplate mounted assy | 4239 021 70651 | 4239 021 70651 | 4239 021 70653 | 4239 021 70653 |
| 16 | Filling door molded | 4239 026 50134 | 4239 026 50134 | 4239 026 49714 | 4239 026 49714 |
| 17 | Rear lock rubber | 4239 015 59741 | 4239 015 59741 | 4239 015 59741 | 4239 015 59741 |
| 18 | Tray rubber cap | 4239 015 59731 | 4239 015 59731 | 4239 015 59731 | 4239 015 59731 |
| 19 | Tray cap molded | 4239 026 51841 | 4239 026 51841 | 4239 026 51861 | 4239 026 51861 |
| 20 | Tray printed | 4239 021 71512 | 4239 021 71512 | 4239 021 78621 | 4239 021 78621 |
| 21 | Front lock assy | 4239 021 71493 | 4239 021 71493 | 4239 021 78601 | 4239 021 78601 |
| 22 | Water tank assy | 4239 021 71523 | 4239 021 71523 | 4239 021 70814 | 4239 021 70814 |
| 23 | Rinse cap assy | 4239 021 70862 | 4239 021 70862 | 4239 021 71672 | 4239 021 71672 |
| 24 | Safety cap | 4239 015 59791 | 4239 015 59791 | 4239 015 59791 | 4239 015 59791 |
| 25 | Inox clamp | 4239 010 10261 | 4239 010 10261 | 4239 010 10261 | 4239 010 10261 |
| 26 | Braided rubber hose Boiler | 4239 015 59771 | 4239 015 59771 | 4239 015 59771 | 4239 015 59771 |
| 27 | Electrovalve | 4239 017 12802 | 4239 017 12802 | 2922 021 99016 | 2922 021 99016 |
| 28 | Spacer top | 4239 026 51241 | 4239 026 51241 | 4239 026 51241 | 4239 026 51241 |
| 29 | Rinse housing cap assy | 4239 021 72612 | 4239 021 72612 | 4239 021 72612 | 4239 021 72612 |
| 30 | Rinse housing assy | 4239 026 49732 | 4239 026 49732 | 4239 026 49732 | 4239 026 49732 |
| 31 | O-ring | 4239 015 59751 | 4239 015 59751 | 4239 015 58201 | 4239 015 58201 |
| 32 | Boiler assy | 4239 021 69891 | 4239 021 69891 | 4239 021 69892 | 4239 021 69892 |
| 33 | Boiler support bracket | 4239 026 42581 | 4239 026 42581 | 4239 026 42581 | 4239 026 42581 |
| 34 | Spacer bottom | 4239 026 32181 | 4239 026 32181 | 4239 026 32181 | 4239 026 32181 |
| 35 | Boiler thermistor assy | 4239 021 69951 | 4239 021 69951 | 4239 021 69951 | 4239 021 69951 |
| 36 | Power button printed | 4239 021 70772 | 4239 021 70772 | 4239 021 70773 | 4239 021 70773 |
| 37 | Button frame printed | 4239 021 70762 | 4239 021 70762 | 4239 021 70764 | 4239 021 70764 |
| 38A | Pump assy | - | - | - | - |
| 38B | Service assy - Power board PCB-Pump | 4239 022 67101 | 4239 022 67101 | 4239 022 67101 | 4239 022 67101 |
| 39A | Power Cord EU - PVC | 2422 070 98403 | 2422 070 98403 | 2422 070 98399 | 2422 070 98399 |
| 39B | Power Cord AU | 2422 070 98424 | 2422 070 98424 | N/A | N/A |
| 39C | Power Cord UK | N/A | N/A | N/A | N/A |
| 39D | Power Cord EU - Cotton Braided | N/A | N/A | N/A | N/A |
| 39E | Power Cord BR | N/A | N/A | N/A | N/A |
| 40 | Stand bottom molded | 4239 026 50112 | 4239 026 50112 | 4239 026 50437 | 4239 026 50437 |
| 41 | Pump Inlet elbow | - | - | 4239 015 59561 | 4239 015 59561 |
| 42 | Corrugated tube | - | - | 4239 015 59541 | 4239 015 59541 |

| Pos | Description | GC8638/20 | GC8638/21 | GC8640/02 | GC8640/07 |
|-----|-------------------------------------|-----------------------|-----------------------|-----------------------|-----------------------|
| | | Service code | Service code | Service code | Service code |
| 1 | Light strip cap assy | - | - | 4239 021 70734 | 4239 021 70734 |
| 2 | Inlay and light strip assy | 4239 021 76351 | 4239 021 76351 | 4239 021 70722 | 4239 021 70722 |
| 3 | Reflector molded | 4239 026 49561 | 4239 026 49561 | 4239 026 49561 | 4239 026 49561 |
| 4 | LED microswitch holder assy | 4239 021 71942 | 4239 021 71942 | 4239 021 71942 | 4239 021 71942 |
| 5 | Trigger spring | 4239 014 54961 | 4239 014 54961 | 4239 014 54961 | 4239 014 54961 |
| 6 | Trigger molded | 4239 026 50372 | 4239 026 50372 | 4239 026 49752 | 4239 026 49752 |
| 7 | Mica plate | 4239 010 12911 | 4239 010 12911 | 4239 010 12911 | 4239 010 12911 |
| 8 | Plastic washer | 4239 026 49501 | 4239 026 49501 | 4239 026 49501 | 4239 026 49501 |
| 9 | Decoration cap printed | 4239 021 70901 | 4239 021 70901 | 4239 021 70741 | 4239 021 70741 |
| 10 | Ryton ring | 4239 015 70153 | 4239 015 70153 | 4239 015 70153 | 4239 015 70153 |
| 11 | Deviator housing molded | 4239 026 49491 | 4239 026 49491 | 4239 026 49491 | 4239 026 49491 |
| 12 | Iron thermistor assy | 4239 021 69942 | 4239 021 69942 | 4239 021 69942 | 4239 021 69942 |
| 13 | Hose cord mounted assy | 4239 021 71995 | 4239 021 71995 | 4239 021 70703 | 4239 021 70703 |
| 14 | Housing printed | 4239 021 70692 | 4239 021 70692 | 4239 021 70692 | 4239 021 70692 |
| 15 | Soleplate mounted assy | 4239 021 70653 | 4239 021 70653 | 4239 021 70651 | 4239 021 70651 |
| 16 | Filling door molded | 4239 026 50134 | 4239 026 50134 | 4239 026 49714 | 4239 026 49714 |
| 17 | Rear lock rubber | - | - | 4239 015 59741 | 4239 015 59741 |
| 18 | Tray rubber cap | 4239 015 59731 | 4239 015 59731 | 4239 015 59731 | 4239 015 59731 |
| 19 | Tray cap molded | 4239 026 51841 | 4239 026 51841 | 4239 026 51831 | 4239 026 51831 |
| 20 | Tray printed | 4239 021 82121 | 4239 021 82121 | 4239 021 70802 | 4239 021 70802 |
| 21 | Front lock assy | 4239 021 71493 | 4239 021 71493 | 4239 021 70783 | 4239 021 70783 |
| 22 | Water tank assy | 4239 021 82191 | 4239 021 82191 | 4239 021 70812 | 4239 021 70812 |
| 23 | Rinse cap assy | 4239 021 70862 | 4239 021 70862 | 4239 021 71672 | 4239 021 71672 |
| 24 | Safety cap | 4239 015 59791 | 4239 015 59791 | 4239 015 59791 | 4239 015 59791 |
| 25 | Inox clamp | 4239 010 10261 | 4239 010 10261 | 4239 010 10261 | 4239 010 10261 |
| 26 | Braided rubber hose Boiler | 4239 015 59771 | 4239 015 59771 | 4239 015 59771 | 4239 015 59771 |
| 27 | Electrovalve | - | - | 4239 017 12802 | 4239 017 12802 |
| 28 | Spacer top | 4239 026 51241 | 4239 026 51241 | 4239 026 51241 | 4239 026 51241 |
| 29 | Rinse housing cap assy | 4239 021 72612 | 4239 021 72612 | 4239 021 72612 | 4239 021 72612 |
| 30 | Rinse housing assy | 4239 026 49732 | 4239 026 49732 | 4239 026 49732 | 4239 026 49732 |
| 31 | O-ring | 4239 015 59751 | 4239 015 59751 | 4239 015 59751 | 4239 015 59751 |
| 32 | Boiler assy | 4239 021 69892 | 4239 021 69892 | 4239 021 69891 | 4239 021 69891 |
| 33 | Boiler support bracket | 4239 026 42581 | 4239 026 42581 | 4239 026 42581 | 4239 026 42581 |
| 34 | Spacer bottom | 4239 026 32181 | 4239 026 32181 | 4239 026 32181 | 4239 026 32181 |
| 35 | Boiler thermistor assy | 4239 021 69951 | 4239 021 69951 | 4239 021 69951 | 4239 021 69951 |
| 36 | Power button printed | 4239 021 70773 | 4239 021 70773 | 4239 021 70772 | 4239 021 70772 |
| 37 | Button frame printed | 4239 021 70764 | 4239 021 70764 | 4239 021 70762 | 4239 021 70762 |
| 38A | Pump assy | - | - | - | - |
| 38B | Service assy - Power board PCB-Pump | 4239 022 67101 | 4239 022 67101 | 4239 022 67101 | 4239 022 67101 |
| 39A | Power Cord EU - PVC | 2422 070 98403 | 2422 070 98403 | 2422 070 98401 | 2422 070 98401 |
| 39B | Power Cord AU | N/A | N/A | N/A | N/A |
| 39C | Power Cord UK | N/A | N/A | N/A | N/A |
| 39D | Power Cord EU - Cotton Braided | N/A | N/A | N/A | N/A |
| 39E | Power Cord BR | N/A | N/A | N/A | N/A |
| 40 | Stand bottom molded | 4239 026 50116 | 4239 026 50116 | 4239 026 49592 | 4239 026 49592 |
| 41 | Pump Inlet elbow | - | - | - | - |
| 42 | Corrugated tube | - | - | - | - |

| Pos | Description | GC8640/97 | GC8641/30 | GC8641/31 | GC8642/20 |
|-----|-------------------------------------|-----------------------|-----------------------|-----------------------|-----------------------|
| | | Service code | Service code | Service code | Service code |
| 1 | Light strip cap assy | 4239 021 70734 | - | - | - |
| 2 | Inlay and light strip assy | 4239 021 70722 | 4239 021 81721 | 4239 021 81721 | 4239 021 76351 |
| 3 | Reflector molded | 4239 026 49561 | 4239 026 49561 | 4239 026 49561 | 4239 026 49561 |
| 4 | LED microswitch holder assy | 4239 021 71942 | 4239 021 71942 | 4239 021 71942 | 4239 021 71942 |
| 5 | Trigger spring | 4239 014 54961 | 4239 014 54961 | 4239 014 54961 | 4239 014 54961 |
| 6 | Trigger molded | 4239 026 49752 | 4239 026 57171 | 4239 026 57171 | 4239 026 50372 |
| 7 | Mica plate | 4239 010 12911 | 4239 010 12911 | 4239 010 12911 | 4239 010 12911 |
| 8 | Plastic washer | 4239 026 49501 | 4239 026 49501 | 4239 026 49501 | 4239 026 49501 |
| 9 | Decoration cap printed | 4239 021 70741 | 4239 021 81701 | 4239 021 81701 | 4239 021 70901 |
| 10 | Ryton ring | 4239 015 70153 | 4239 015 70153 | 4239 015 70153 | 4239 015 70153 |
| 11 | Deviator housing molded | 4239 026 49491 | 4239 026 49491 | 4239 026 49491 | 4239 026 49491 |
| 12 | Iron thermistor assy | 4239 021 69942 | 4239 021 69942 | 4239 021 69942 | 4239 021 69942 |
| 13 | Hose cord mounted assy | 4239 021 70703 | 4239 021 81731 | 4239 021 81731 | 4239 021 71996 |
| 14 | Housing printed | 4239 021 70692 | 4239 021 70692 | 4239 021 70692 | 4239 021 70693 |
| 15 | Soleplate mounted assy | 4239 021 70651 | 4239 021 82851 | 4239 021 82851 | 4239 021 82851 |
| 16 | Filling door molded | 4239 026 49714 | 4239 026 57131 | 4239 026 57131 | 4239 026 50134 |
| 17 | Rear lock rubber | 4239 015 59741 | 4239 015 59741 | 4239 015 59741 | 4239 015 59741 |
| 18 | Tray rubber cap | 4239 015 59731 | 4239 015 59731 | 4239 015 59731 | 4239 015 59731 |
| 19 | Tray cap molded | 4239 026 51831 | 4239 026 57141 | 4239 026 57141 | 4239 026 51841 |
| 20 | Tray printed | 4239 021 70802 | 4239 021 81661 | 4239 021 81661 | 4239 021 82761 |
| 21 | Front lock assy | 4239 021 70783 | 4239 021 81641 | 4239 021 81641 | 4239 021 71493 |
| 22 | Water tank assy | 4239 021 70812 | 4239 021 81681 | 4239 021 81681 | 4239 021 82191 |
| 23 | Rinse cap assy | 4239 021 71672 | 4239 021 81671 | 4239 021 81671 | 4239 021 70862 |
| 24 | Safety cap | 4239 015 59791 | 4239 015 59791 | 4239 015 59791 | 4239 015 59791 |
| 25 | Inox clamp | 4239 010 10261 | 4239 010 10261 | 4239 010 10261 | 4239 010 10261 |
| 26 | Braided rubber hose Boiler | 4239 015 59771 | 4239 015 59771 | 4239 015 59771 | 4239 015 59771 |
| 27 | Electrovalve | 4239 017 12802 | - | - | - |
| 28 | Spacer top | 4239 026 51241 | 4239 026 51241 | 4239 026 51241 | 4239 026 51241 |
| 29 | Rinse housing cap assy | 4239 021 72612 | 4239 021 72612 | 4239 021 72612 | 4239 021 72612 |
| 30 | Rinse housing assy | 4239 026 49732 | 4239 026 49732 | 4239 026 49732 | 4239 026 49732 |
| 31 | O-ring | 4239 015 59751 | 4239 015 59751 | 4239 015 59751 | 4239 015 59751 |
| 32 | Boiler assy | 4239 021 69891 | 4239 021 69892 | 4239 021 69892 | 4239 021 69892 |
| 33 | Boiler support bracket | 4239 026 42581 | 4239 026 42581 | 4239 026 42581 | 4239 026 42581 |
| 34 | Spacer bottom | 4239 026 32181 | 4239 026 32181 | 4239 026 32181 | 4239 026 32181 |
| 35 | Boiler thermistor assy | 4239 021 69951 | 4239 021 69951 | 4239 021 69951 | 4239 021 69951 |
| 36 | Power button printed | 4239 021 70772 | 4239 021 70773 | 4239 021 70773 | 4239 021 70773 |
| 37 | Button frame printed | 4239 021 70762 | 4239 021 70764 | 4239 021 70764 | 4239 021 70764 |
| 38A | Pump assy | - | - | - | - |
| 38B | Service assy - Power board PCB-Pump | 4239 022 67101 | 4239 022 67101 | 4239 022 67101 | 4239 022 67101 |
| 39A | Power Cord EU - PVC | 2422 070 98401 | 2422 070 98401 | 2422 070 98401 | 2422 070 98418 |
| 39B | Power Cord AU | N/A | N/A | N/A | N/A |
| 39C | Power Cord UK | N/A | N/A | N/A | N/A |
| 39D | Power Cord EU - Cotton Braided | N/A | N/A | N/A | N/A |
| 39E | Power Cord BR | N/A | N/A | N/A | N/A |
| 40 | Stand bottom molded | 4239 026 49592 | 4239 026 57061 | 4239 026 57061 | 4239 026 50116 |
| 41 | Pump Inlet elbow | - | - | - | - |
| 42 | Corrugated tube | - | - | - | - |

| Pos | Description | GC8642/21 | GC8643/30 | GC8643/31 | GC8644/30 |
|-----|-------------------------------------|-----------------------|-----------------------|-----------------------|-----------------------|
| | | Service code | Service code | Service code | Service code |
| 1 | Light strip cap assy | - | - | - | - |
| 2 | Inlay and light strip assy | 4239 021 76351 | 4239 021 76351 | 4239 021 76351 | 4239 021 81721 |
| 3 | Reflector molded | 4239 026 49561 | 4239 026 49561 | 4239 026 49561 | 4239 026 49561 |
| 4 | LED microswitch holder assy | 4239 021 71942 | 4239 021 71942 | 4239 021 71942 | 4239 021 71942 |
| 5 | Trigger spring | 4239 014 54961 | 4239 014 54961 | 4239 014 54961 | 4239 014 54961 |
| 6 | Trigger molded | 4239 026 50372 | 4239 026 50373 | 4239 026 50373 | 4239 026 57172 |
| 7 | Mica plate | 4239 010 12911 | 4239 010 12911 | 4239 010 12911 | 4239 010 12911 |
| 8 | Plastic washer | 4239 026 49501 | 4239 026 49501 | 4239 026 49501 | 4239 026 49501 |
| 9 | Decoration cap printed | 4239 021 70901 | 4239 021 70901 | 4239 021 70901 | 4239 021 81701 |
| 10 | Ryton ring | 4239 015 70153 | 4239 015 70153 | 4239 015 70153 | 4239 015 70153 |
| 11 | Deviator housing molded | 4239 026 49491 | 4239 026 49491 | 4239 026 49492 | 4239 026 49491 |
| 12 | Iron thermistor assy | 4239 021 69942 | 4239 021 69942 | 4239 021 69942 | 4239 021 69942 |
| 13 | Hose cord mounted assy | 4239 021 71996 | 4239 021 71997 | 4239 021 71993 | 4239 021 81712 |
| 14 | Housing printed | 4239 021 70693 | 4239 021 70692 | 4239 021 70693 | 4239 021 70692 |
| 15 | Soleplate mounted assy | 4239 021 82851 | 4239 021 82851 | 4239 021 82851 | 4239 021 82851 |
| 16 | Filling door molded | 4239 026 50134 | 4239 026 49714 | 4239 026 50134 | 4239 026 57131 |
| 17 | Rear lock rubber | 4239 015 59741 | 4239 015 59741 | - | 4239 015 59741 |
| 18 | Tray rubber cap | 4239 015 59731 | 4239 015 59731 | 4239 015 59731 | 4239 015 59731 |
| 19 | Tray cap molded | 4239 026 51841 | 4239 026 51831 | 4239 026 51841 | 4239 026 57141 |
| 20 | Tray printed | 4239 021 82761 | 4239 021 93742 | 4239 021 87011 | 4239 021 93752 |
| 21 | Front lock assy | 4239 021 71493 | 4239 021 70785 | - | 4239 021 81643 |
| 22 | Water tank assy | 4239 021 82191 | 4239 021 70814 | 4239 021 82191 | 4239 021 81681 |
| 23 | Rinse cap assy | 4239 021 70862 | 4239 021 71672 | 4239 021 70862 | 4239 021 81671 |
| 24 | Safety cap | 4239 015 59791 | 4239 015 59791 | 4239 015 59791 | 4239 015 59791 |
| 25 | Inox clamp | 4239 010 10261 | 4239 010 10261 | 4239 010 10261 | 4239 010 10261 |
| 26 | Braided rubber hose Boiler | 4239 015 59771 | 4239 015 59771 | 4239 015 59771 | 4239 015 59771 |
| 27 | Electrovalve | - | 2922 021 99016 | 2922 021 99016 | 2922 021 99016 |
| 28 | Spacer top | 4239 026 51241 | 4239 026 51241 | 4239 026 51241 | 4239 026 51241 |
| 29 | Rinse housing cap assy | 4239 021 72612 | 4239 021 72612 | 4239 021 72612 | 4239 021 72612 |
| 30 | Rinse housing assy | 4239 026 49732 | 4239 026 49732 | 4239 026 49732 | 4239 026 49732 |
| 31 | O-ring | 4239 015 59751 | 4239 015 59751 | 4239 015 58201 | 4239 015 59751 |
| 32 | Boiler assy | 4239 021 69892 | 4239 021 69891 | 4239 021 69892 | 4239 021 69891 |
| 33 | Boiler support bracket | 4239 026 42581 | 4239 026 42581 | 4239 026 42581 | 4239 026 42581 |
| 34 | Spacer bottom | 4239 026 32181 | 4239 026 32181 | 4239 026 32181 | 4239 026 32181 |
| 35 | Boiler thermistor assy | 4239 021 69951 | 4239 021 69951 | 4239 021 69951 | 4239 021 69951 |
| 36 | Power button printed | 4239 021 70773 | 4239 021 70772 | 4239 021 70773 | 4239 021 70773 |
| 37 | Button frame printed | 4239 021 70764 | 4239 021 70762 | 4239 021 70764 | 4239 021 70764 |
| 38A | Pump assy | - | - | - | - |
| 38B | Service assy - Power board PCB-Pump | 4239 022 67101 | 4239 022 67101 | 4239 022 67101 | 4239 022 67101 |
| 39A | Power Cord EU - PVC | 2422 070 98418 | 2422 070 98399 | 2422 070 98399 | 2422 070 98399 |
| 39B | Power Cord AU | N/A | 2422 070 98418 | N/A | N/A |
| 39C | Power Cord UK | N/A | 2422 070 98564 | 2422 070 98412 | N/A |
| 39D | Power Cord EU - Cotton Braided | N/A | N/A | N/A | N/A |
| 39E | Power Cord BR | N/A | N/A | N/A | N/A |
| 40 | Stand bottom molded | 4239 026 50116 | 4239 026 49597 | 4239 026 50118 | 4239 026 57063 |
| 41 | Pump Inlet elbow | - | 4239 015 59561 | 4239 015 59561 | 4239 015 59561 |
| 42 | Corrugated tube | - | 4239 015 59541 | 4239 015 59541 | 4239 015 59541 |

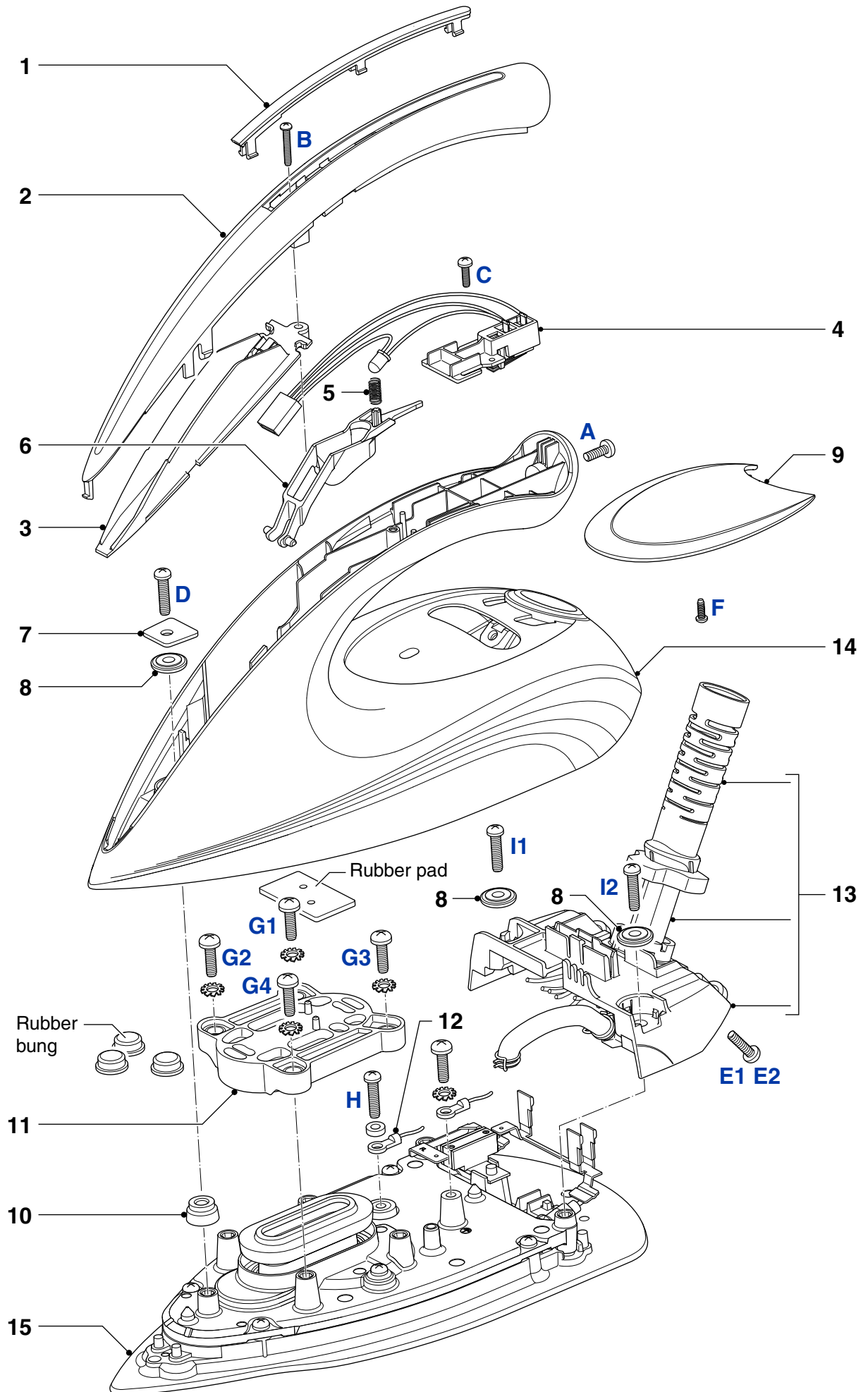
| Pos | Description | GC8644/31 | GC8646/20 | GC8650/02 | GC8650/80 |
|-----|-------------------------------------|-----------------------|------------------------------|-----------------------|------------------------------|
| | | Service code | 889864620290 Service code | Service code | 889865080530 Service code |
| 1 | Light strip cap assy | - | - | - | - |
| 2 | Inlay and light strip assy | 4239 021 76351 | 4239 021 76351 | 4239 021 76361 | 4239 021 81721 |
| 3 | Reflector molded | 4239 026 49561 | 4239 026 49562 | 4239 026 49561 | 4239 026 49561 |
| 4 | LED microswitch holder assy | 4239 021 71942 | 4239 021 71942 | 4239 021 71942 | 4239 021 71942 |
| 5 | Trigger spring | 4239 014 54961 | 4239 014 54961 | 4239 014 54961 | 4239 014 54961 |
| 6 | Trigger molded | 4239 026 50373 | 4239 026 50373 | 4239 026 56691 | 4239 026 57172 |
| 7 | Mica plate | 4239 010 12911 | 4239 010 12911 | 4239 010 12911 | 4239 010 12911 |
| 8 | Plastic washer | 4239 026 49501 | 4239 026 49501 | 4239 026 49501 | 4239 026 49501 |
| 9 | Decoration cap printed | 4239 021 70901 | 4239 021 70901 | 4239 021 70741 | 4239 021 81701 |
| 10 | Ryton ring | 4239 015 70153 | 4239 015 62211 | 4239 015 70153 | 4239 015 70153 |
| 11 | Deviator housing molded | 4239 026 49492 | 4239 026 49492 | 4239 026 49491 | 4239 026 49491 |
| 12 | Iron thermistor assy | 4239 021 69942 | 4239 021 69942 | 4239 021 69942 | 4239 021 69942 |
| 13 | Hose cord mounted assy | 4239 021 71993 | 4239 021 71997 | 4239 021 70705 | 4239 021 81712 |
| 14 | Housing printed | 4239 021 70693 | 4239 021 70693 | 4239 021 80631 | 4239 021 80631 |
| 15 | Soleplate mounted assy | 4239 021 82851 | 4239 021 94261 | 4239 021 80621 | 4239 021 82851 |
| 16 | Filling door molded | 4239 026 50134 | 4239 026 50134 | 4239 026 49714 | 4239 026 49714 |
| 17 | Rear lock rubber | - | 4239 015 59741 | 4239 015 59741 | 4239 015 59741 |
| 18 | Tray rubber cap | 4239 015 59731 | 4239 015 59731 | 4239 015 59731 | 4239 015 59731 |
| 19 | Tray cap molded | 4239 026 51841 | 4239 026 51862 | 4239 026 56681 | 4239 026 56681 |
| 20 | Tray printed | 4239 021 87011 | 4239 021 98461 | 4239 021 80591 | 4239 021 80591 |
| 21 | Front lock assy | - | 4239 021 93712 | - | 4239 021 80583 |
| 22 | Water tank assy | 4239 021 82191 | 4239 021 82191 | 4239 021 80611 | 4239 021 80611 |
| 23 | Rinse cap assy | 4239 021 70862 | 4239 021 70862 | 4239 021 71672 | 4239 021 71672 |
| 24 | Safety cap | 4239 015 59791 | 4239 015 59791 | 4239 015 59791 | 4239 015 59791 |
| 25 | Inox clamp | 4239 010 10261 | 4239 010 10261 | 4239 010 10261 | 4239 010 10261 |
| 26 | Braided rubber hose Boiler | 4239 015 59771 | 4239 010 10281 | 4239 015 59771 | 4239 015 59771 |
| 27 | Electrovalve | 2922 021 99016 | 2922 021 99016 | - | 2922 021 99016 |
| 28 | Spacer top | 4239 026 51241 | 4239 026 51241 | 4239 026 51241 | 4239 026 51241 |
| 29 | Rinse housing cap assy | 4239 021 72612 | 4239 021 72612 | 4239 021 80601 | 4239 021 72612 |
| 30 | Rinse housing assy | 4239 026 49732 | 4239 021 98481 | 4239 026 49732 | 4239 021 98561 |
| 31 | O-ring | 4239 015 58201 | 4239 015 59751 | 4239 015 59751 | 4239 015 59751 |
| 32 | Boiler assy | 4239 021 69892 | 4239 021 69893 | 4239 021 69892 | 4239 021 69891 |
| 33 | Boiler support bracket | 4239 026 42581 | 4239 026 42581 | 4239 026 42581 | 4239 026 42581 |
| 34 | Spacer bottom | 4239 026 32181 | 4239 026 32181 | 4239 026 32181 | 4239 026 32181 |
| 35 | Boiler thermistor assy | 4239 021 69951 | 4239 021 69951 | 4239 021 69951 | 4239 021 69951 |
| 36 | Power button printed | 4239 021 70773 | 4239 021 70773 | 4239 021 70773 | 4239 021 70773 |
| 37 | Button frame printed | 4239 021 70764 | 4239 021 70764 | 4239 021 70764 | 4239 021 70764 |
| 38A | Pump assy | - | 4239 021 70757 | - | - |
| 38B | Service assy - Power board PCB-Pump | 4239 022 67101 | 4239 021 97154 | 4239 022 67101 | 4239 022 67101 |
| 39A | Power Cord EU - PVC | 2422 070 98399 | 2422 070 98399 | 2422 070 98401 | N/A |
| 39B | Power Cord AU | N/A | N/A | N/A | N/A |
| 39C | Power Cord UK | 2422 070 98412 | N/A | N/A | N/A |
| 39D | Power Cord EU - Cotton Braided | N/A | N/A | N/A | 2422 070 98418 |
| 39E | Power Cord BR | N/A | N/A | N/A | N/A |
| 40 | Stand bottom molded | 4239 026 50118 | 4239 026 50439 | 4239 026 56671 | - |
| 41 | Pump Inlet elbow | 4239 015 59561 | 4239 015 59561 | - | 4239 026 56673 |
| 42 | Corrugated tube | 4239 015 59541 | 4239 015 59541 | - | - |

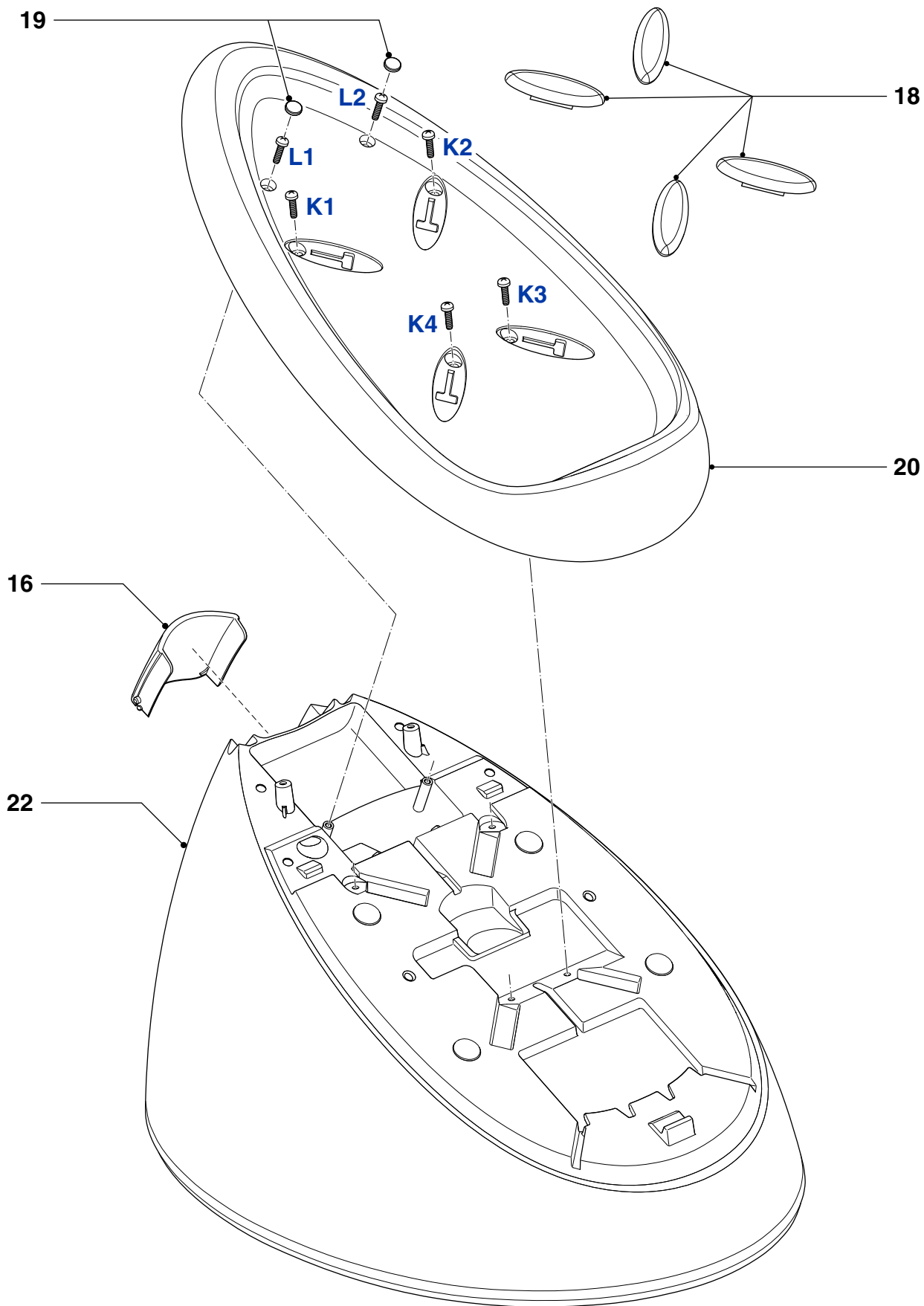
| Pos | Description | GC8650/81 | GC8650/86 | GC8650/97 | GC8651/10 |
|-----|-------------------------------------|-----------------------|-----------------------|-----------------------|------------------------------|
| | | Service code | Service code | Service code | 889865110080 Service code |
| 1 | Light strip cap assy | - | - | - | 4239 021 85231 |
| 2 | Inlay and light strip assy | 4239 021 76361 | 4239 021 76361 | 4239 021 76361 | 4239 021 70723 |
| 3 | Reflector molded | 4239 026 49561 | 4239 026 49561 | 4239 026 49561 | 4239 026 49561 |
| 4 | LED microswitch holder assy | 4239 021 71942 | 4239 021 71942 | 4239 021 71942 | 4239 021 71942 |
| 5 | Trigger spring | 4239 014 54961 | 4239 014 54961 | 4239 014 54961 | 4239 014 54961 |
| 6 | Trigger molded | 4239 026 56691 | 4239 026 56691 | 4239 026 56691 | 4239 026 49752 |
| 7 | Mica plate | 4239 010 12911 | 4239 010 12911 | 4239 010 12911 | 4239 010 12911 |
| 8 | Plastic washer | 4239 026 49501 | 4239 026 49501 | 4239 026 49501 | 4239 026 49501 |
| 9 | Decoration cap printed | 4239 021 70741 | 4239 021 70741 | 4239 021 70741 | 4239 021 70741 |
| 10 | Ryton ring | 4239 015 70153 | 4239 015 70153 | 4239 015 70153 | 4239 015 70153 |
| 11 | Deviator housing molded | 4239 026 49491 | 4239 026 49491 | 4239 026 49491 | 4239 026 49491 |
| 12 | Iron thermistor assy | 4239 021 69942 | 4239 021 69942 | 4239 021 69942 | 4239 021 69942 |
| 13 | Hose cord mounted assy | 4239 021 70705 | 4239 021 70705 | 4239 021 70705 | 4239 021 84321 |
| 14 | Housing printed | 4239 021 80631 | 4239 021 80631 | 4239 021 80631 | 4239 021 70692 |
| 15 | Soleplate mounted assy | 4239 021 80621 | 4239 021 80621 | 4239 021 80621 | 4239 021 70651 |
| 16 | Filling door molded | 4239 026 49714 | 4239 026 49714 | 4239 026 49714 | 4239 026 60061 |
| 17 | Rear lock rubber | 4239 015 59741 | 4239 015 59741 | 4239 015 59741 | 4239 015 59741 |
| 18 | Tray rubber cap | 4239 015 59731 | 4239 015 59731 | 4239 015 59731 | 4239 015 59731 |
| 19 | Tray cap molded | 4239 026 56681 | 4239 026 56681 | 4239 026 56681 | 4239 026 51831 |
| 20 | Tray printed | 4239 021 80591 | 4239 021 80591 | 4239 021 80591 | 4239 021 85131 |
| 21 | Front lock assy | - | - | - | 4239 021 85103 |
| 22 | Water tank assy | 4239 021 80611 | 4239 021 80611 | 4239 021 80611 | 4239 021 85161 |
| 23 | Rinse cap assy | 4239 021 71672 | 4239 021 71672 | 4239 021 71672 | 4239 021 71672 |
| 24 | Safety cap | 4239 015 59791 | 4239 015 59791 | 4239 015 59791 | 4239 015 59791 |
| 25 | Inox clamp | 4239 010 10261 | 4239 010 10261 | 4239 010 10261 | 4239 010 10261 |
| 26 | Braided rubber hose Boiler | 4239 015 59771 | 4239 015 59771 | 4239 015 59771 | 4239 015 59771 |
| 27 | Electrovalve | - | - | - | 2922 021 99016 |
| 28 | Spacer top | 4239 026 51241 | 4239 026 51241 | 4239 026 51241 | 4239 026 51241 |
| 29 | Rinse housing cap assy | 4239 021 80601 | 4239 021 80601 | 4239 021 80601 | 4239 021 72612 |
| 30 | Rinse housing assy | 4239 026 49732 | 4239 026 49732 | 4239 026 49732 | 4239 021 98501 |
| 31 | O-ring | 4239 015 59751 | 4239 015 59751 | 4239 015 59751 | 4239 015 59751 |
| 32 | Boiler assy | 4239 021 69892 | 4239 021 69892 | 4239 021 69892 | 4239 021 69891 |
| 33 | Boiler support bracket | 4239 026 42581 | 4239 026 42581 | 4239 026 42581 | 4239 026 42581 |
| 34 | Spacer bottom | 4239 026 32181 | 4239 026 32181 | 4239 026 32181 | 4239 026 32181 |
| 35 | Boiler thermistor assy | 4239 021 69951 | 4239 021 69951 | 4239 021 69951 | 4239 021 69951 |
| 36 | Power button printed | 4239 021 70773 | 4239 021 70773 | 4239 021 70773 | 4239 021 70772 |
| 37 | Button frame printed | 4239 021 70764 | 4239 021 70764 | 4239 021 70764 | 4239 021 70762 |
| 38A | Pump assy | - | - | - | - |
| 38B | Service assy - Power board PCB-Pump | 4239 022 67101 | 4239 022 67101 | 4239 022 67101 | 4239 022 67101 |
| 39A | Power Cord EU - PVC | 2422 070 98401 | 2422 070 98401 | 2422 070 98401 | N/A |
| 39B | Power Cord AU | N/A | N/A | N/A | N/A |
| 39C | Power Cord UK | N/A | N/A | N/A | 2422 070 98561 |
| 39D | Power Cord EU - Cotton Braided | N/A | N/A | N/A | N/A |
| 39E | Power Cord BR | N/A | N/A | N/A | N/A |
| 40 | Stand bottom molded | 4239 026 56671 | 4239 026 56671 | 4239 026 56671 | 4239 026 50438 |
| 41 | Pump Inlet elbow | - | - | - | 4239 015 59561 |
| 42 | Corrugated tube | - | - | - | 4239 015 59541 |

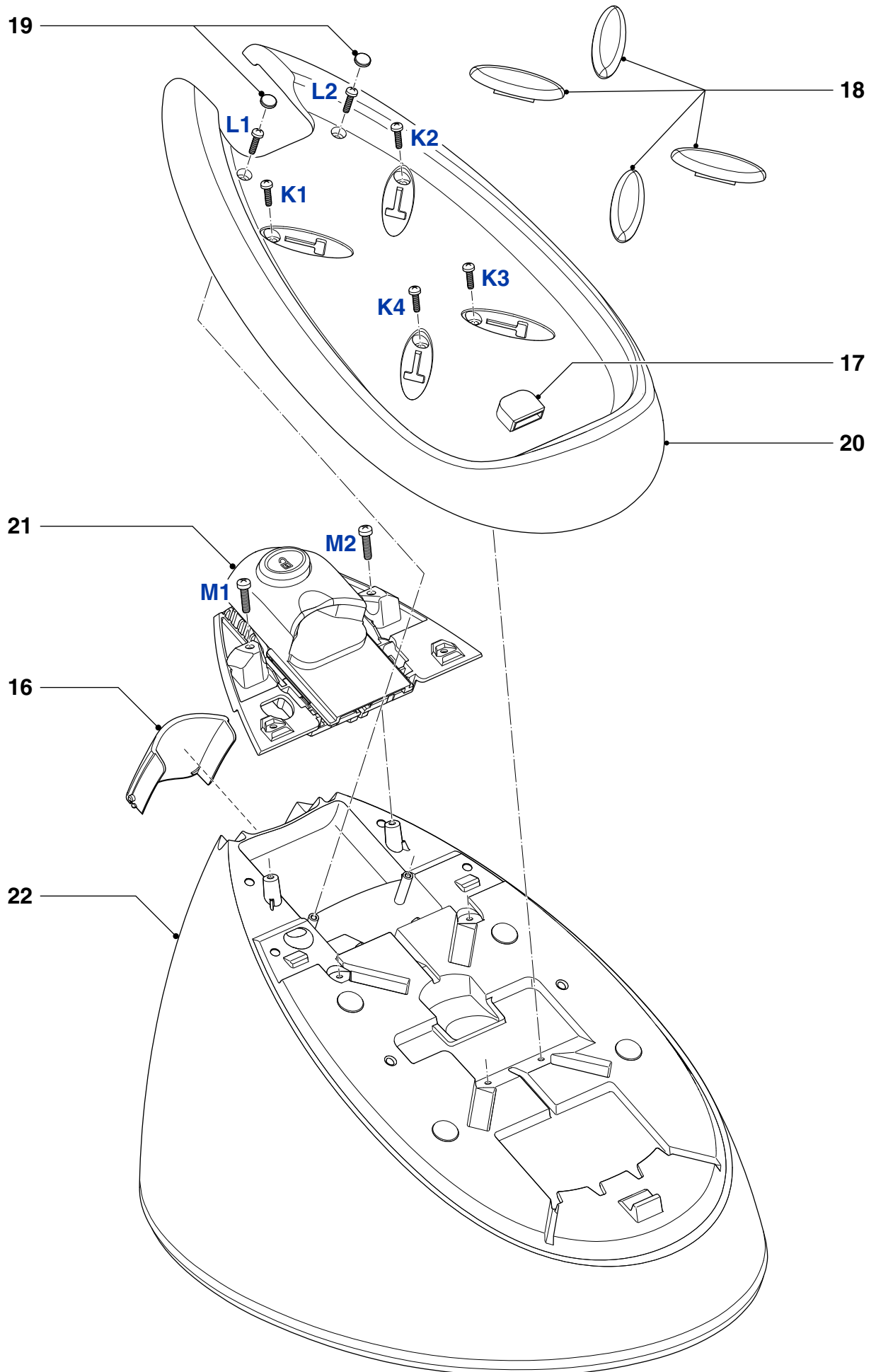
| Pos | Description | GC8651/10 889865110530 Service code | GC8652/80 889865280010 Service code | GC8652/80 889865280150 Service code | GC8652/80 889865280220 Service code |
|-----|-------------------------------------|---|---|---|---|
| 1 | Light strip cap assy | 4239 021 85231 | - | - | - |
| 2 | Inlay and light strip assy | 4239 021 81721 | 4239 021 95061 | 4239 021 95061 | 4239 021 95061 |
| 3 | Reflector molded | 4239 026 49561 | 4239 026 49561 | 4239 026 49561 | 4239 026 49561 |
| 4 | LED microswitch holder assy | 4239 021 71942 | 4239 021 95031 | 4239 021 95031 | 4239 021 95031 |
| 5 | Trigger spring | 4239 014 54961 | 4239 014 54961 | 4239 014 54961 | 4239 014 54961 |
| 6 | Trigger molded | 4239 026 57172 | 4239 026 65091 | 4239 026 65091 | 4239 026 65091 |
| 7 | Mica plate | 4239 010 12911 | 4239 010 12911 | 4239 010 12911 | 4239 010 12911 |
| 8 | Plastic washer | 4239 026 49501 | 4239 026 49501 | 4239 026 49501 | 4239 026 49501 |
| 9 | Decoration cap printed | 4239 021 81701 | 4239 021 81701 | 4239 021 81701 | 4239 021 81701 |
| 10 | Ryton ring | 4239 015 70153 | 4239 015 70153 | 4239 015 70153 | 4239 015 70153 |
| 11 | Deviator housing molded | 4239 026 49491 | 4239 026 49491 | 4239 026 49491 | 4239 026 49491 |
| 12 | Iron thermistor assy | 4239 021 69942 | 4239 021 69942 | 4239 021 69942 | 4239 021 69942 |
| 13 | Hose cord mounted assy | 4239 021 81712 | 4239 021 95041 | 4239 021 95041 | 4239 021 95041 |
| 14 | Housing printed | 4239 021 70692 | 4239 021 95011 | 4239 021 95011 | 4239 021 95011 |
| 15 | Soleplate mounted assy | 4239 021 82851 | 4239 021 82851 | 4239 021 82851 | 4239 021 82851 |
| 16 | Filling door molded | 4239 026 57131 | 4239 026 65221 | 4239 026 65221 | 4239 026 65221 |
| 17 | Rear lock rubber | 4239 015 59741 | 4239 015 59741 | 4239 015 59741 | 4239 015 59741 |
| 18 | Tray rubber cap | 4239 015 59731 | 4239 015 59731 | 4239 015 59731 | 4239 015 59731 |
| 19 | Tray cap molded | 4239 026 51862 | 4239 026 65231 | 4239 026 65231 | 4239 026 65231 |
| 20 | Tray printed | 4239 021 85131 | 4239 021 95091 | 4239 021 95091 | 4239 021 95091 |
| 21 | Front lock assy | 4239 021 85103 | 4239 021 95073 | 4239 021 95073 | 4239 021 95073 |
| 22 | Water tank assy | 4239 021 85161 | 4239 021 95121 | 4239 021 95121 | 4239 021 95121 |
| 23 | Rinse cap assy | 4239 021 85141 | 4239 021 95111 | 4239 021 95111 | 4239 021 95111 |
| 24 | Safety cap | 4239 015 59791 | 4239 015 59791 | 4239 015 59791 | 4239 015 59791 |
| 25 | Inox clamp | 4239 010 10261 | 4239 010 10261 | 4239 010 10261 | 4239 010 10261 |
| 26 | Braided rubber hose Boiler | 4239 015 59771 | 4239 015 59771 | 4239 015 59771 | 4239 015 59771 |
| 27 | Electrovalve | 2922 021 99016 | 2922 021 99016 | 2922 021 99016 | 2922 021 99016 |
| 28 | Spacer top | 4239 026 51241 | 4239 026 51241 | 4239 026 51241 | 4239 026 51241 |
| 29 | Rinse housing cap assy | 4239 021 72612 | 4239 021 72612 | 4239 021 72612 | 4239 021 72612 |
| 30 | Rinse housing assy | 4239 021 98501 | 4239 026 49732 | 4239 026 49732 | 4239 026 49732 |
| 31 | O-ring | 4239 015 59751 | 4239 015 59751 | 4239 015 59751 | 4239 015 59751 |
| 32 | Boiler assy | 4239 021 69891 | 4239 021 69891 | 4239 021 69891 | 4239 021 69891 |
| 33 | Boiler support bracket | 4239 026 42581 | 4239 026 42581 | 4239 026 42581 | 4239 026 42581 |
| 34 | Spacer bottom | 4239 026 32181 | 4239 026 32181 | 4239 026 32181 | 4239 026 32181 |
| 35 | Boiler thermistor assy | 4239 021 69951 | 4239 021 69951 | 4239 021 69951 | 4239 021 69951 |
| 36 | Power button printed | 4239 021 70773 | 4239 021 70773 | 4239 021 70773 | 4239 021 70773 |
| 37 | Button frame printed | 4239 021 70764 | 4239 021 70764 | 4239 021 70764 | 4239 021 70764 |
| 38A | Pump assy | - | - | - | - |
| 38B | Service assy - Power board PCB-Pump | 4239 022 67101 | 4239 022 67101 | 4239 022 67101 | 4239 022 67101 |
| 39A | Power Cord EU - PVC | N/A | 2422 070 98663 | N/A | 2422 070 98401 |
| 39B | Power Cord AU | 2422 070 98418 | N/A | N/A | N/A |
| 39C | Power Cord UK | N/A | N/A | 2422 070 98662 | N/A |
| 39D | Power Cord EU - Cotton Braided | N/A | N/A | N/A | N/A |
| 39E | Power Cord BR | N/A | N/A | N/A | N/A |
| 40 | Stand bottom molded | 4239 026 50438 | 4239 026 65111 | 4239 026 65111 | 4239 026 65111 |
| 41 | Pump Inlet elbow | - | - | - | - |
| 42 | Corrugated tube | - | - | - | - |

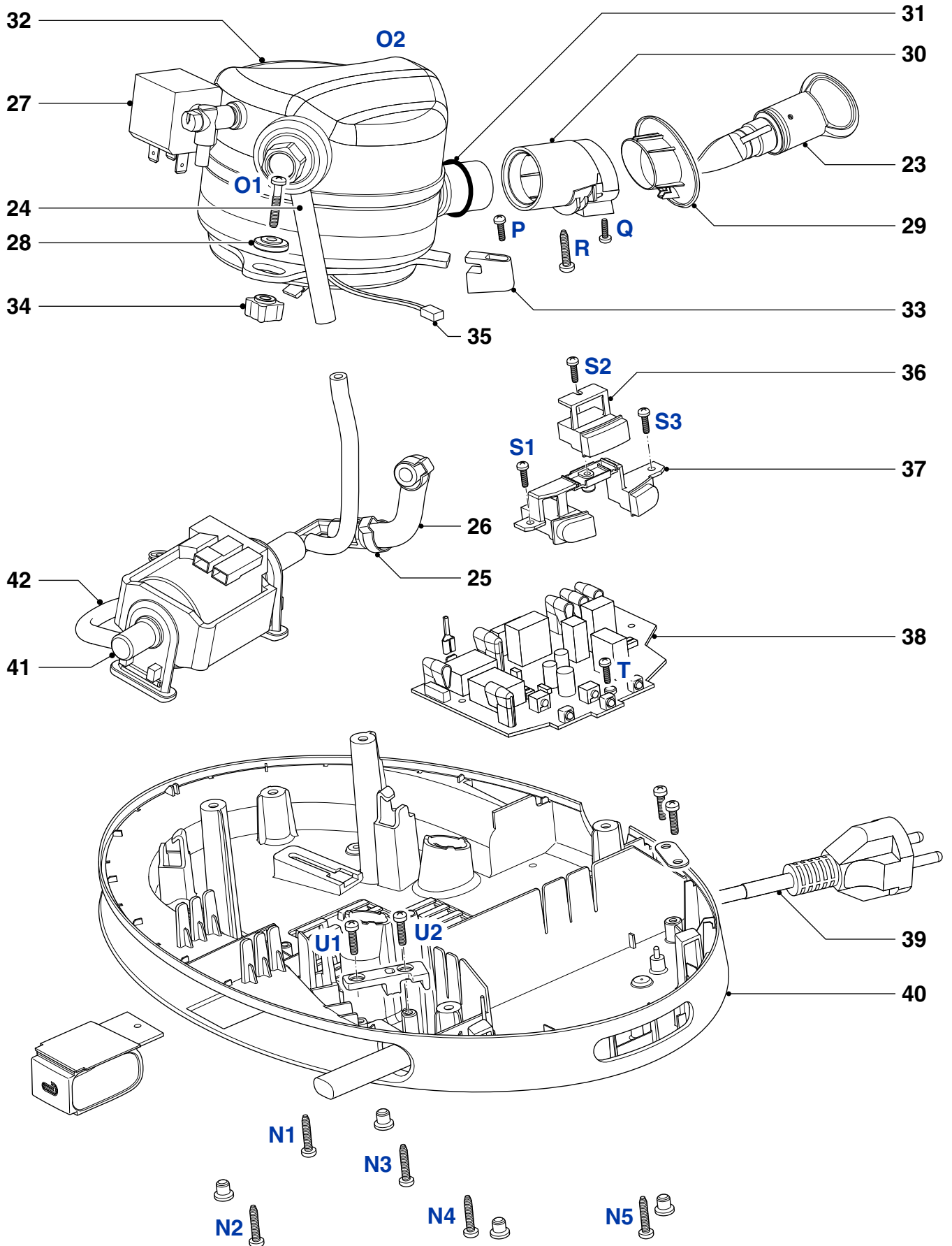
| Pos | Description | GC8652/80 889865280290 Service code | GC8652/80 889865280380 Service code | RI8640/02 886864002240 Service code | RI8640/12 886864012240 Service code |
|-----|-------------------------------------|---|---|---|---|
| 1 | Light strip cap assy | - | - | 4239 021 70734 | 4239 021 70734 |
| 2 | Inlay and light strip assy | 4239 021 95061 | 4239 021 95061 | 4239 021 70722 | 4239 021 70722 |
| 3 | Reflector molded | 4239 026 49561 | 4239 026 49561 | 4239 026 49561 | 4239 026 49561 |
| 4 | LED microswitch holder assy | 4239 021 95031 | 4239 021 95031 | 4239 021 71942 | 4239 021 71942 |
| 5 | Trigger spring | 4239 014 54961 | 4239 014 54961 | 4239 014 54961 | 4239 014 54961 |
| 6 | Trigger molded | 4239 026 65091 | 4239 026 65091 | 4239 026 49752 | 4239 026 49752 |
| 7 | Mica plate | 4239 010 12911 | 4239 010 12911 | 4239 010 12911 | 4239 010 12911 |
| 8 | Plastic washer | 4239 026 49501 | 4239 026 49501 | 4239 026 49501 | 4239 026 49501 |
| 9 | Decoration cap printed | 4239 021 81701 | 4239 021 81701 | 4239 021 70741 | 4239 021 70741 |
| 10 | Ryton ring | 4239 015 70153 | 4239 015 70153 | 4239 015 70153 | 4239 015 70153 |
| 11 | Deviator housing molded | 4239 026 49491 | 4239 026 49491 | 4239 026 49491 | 4239 026 49491 |
| 12 | Iron thermistor assy | 4239 021 69942 | 4239 021 69942 | 4239 021 69942 | 4239 021 69942 |
| 13 | Hose cord mounted assy | 4239 021 95041 | 4239 021 95041 | 4239 021 70703 | 4239 021 70703 |
| 14 | Housing printed | 4239 021 95011 | 4239 021 95011 | 4239 021 70692 | 4239 021 70692 |
| 15 | Soleplate mounted assy | 4239 021 82851 | 4239 021 82851 | 4239 021 70651 | 4239 021 80231 |
| 16 | Filling door molded | 4239 026 65221 | 4239 026 65221 | 4239 026 49714 | 4239 026 49714 |
| 17 | Rear lock rubber | 4239 015 59741 | 4239 015 59741 | 4239 015 59741 | 4239 015 59741 |
| 18 | Tray rubber cap | 4239 015 59731 | 4239 015 59731 | 4239 015 59731 | 4239 015 59731 |
| 19 | Tray cap molded | 4239 026 65231 | 4239 026 65231 | 4239 026 51831 | 4239 026 51831 |
| 20 | Tray printed | 4239 021 95091 | 4239 021 95091 | 4239 021 80351 | 4239 021 80351 |
| 21 | Front lock assy | 4239 021 95073 | 4239 021 95073 | 4239 021 70783 | 4239 021 70783 |
| 22 | Water tank assy | 4239 021 95121 | 4239 021 95121 | 4239 021 70814 | 4239 021 70814 |
| 23 | Rinse cap assy | 4239 021 95111 | 4239 021 95111 | 4239 021 71672 | 4239 021 71672 |
| 24 | Safety cap | 4239 015 59791 | 4239 015 59791 | 4239 015 59791 | 4239 015 59791 |
| 25 | Inox clamp | 4239 010 10261 | 4239 010 10261 | 4239 010 10261 | 4239 010 10261 |
| 26 | Braided rubber hose Boiler | 4239 015 59771 | 4239 015 59771 | 4239 015 59771 | 4239 015 59771 |
| 27 | Electrovalve | 2922 021 99016 | 2922 021 99016 | 4239 017 12802 | 4239 017 12802 |
| 28 | Spacer top | 4239 026 51241 | 4239 026 51241 | 4239 026 51241 | 4239 026 51241 |
| 29 | Rinse housing cap assy | 4239 021 72612 | 4239 021 72612 | 4239 021 72612 | 4239 021 72612 |
| 30 | Rinse housing assy | 4239 026 49732 | 4239 026 49732 | 4239 026 49732 | 4239 026 49732 |
| 31 | O-ring | 4239 015 59751 | 4239 015 59751 | 4239 015 59751 | 4239 015 59751 |
| 32 | Boiler assy | 4239 021 69891 | 4239 021 69891 | 4239 021 69891 | 4239 021 80321 |
| 33 | Boiler support bracket | 4239 026 42581 | 4239 026 42581 | 4239 026 42581 | 4239 026 42581 |
| 34 | Spacer bottom | 4239 026 32181 | 4239 026 32181 | 4239 026 32181 | 4239 026 32181 |
| 35 | Boiler thermistor assy | 4239 021 69951 | 4239 021 69951 | 4239 021 69951 | 4239 021 69951 |
| 36 | Power button printed | 4239 021 70773 | 4239 021 70773 | 4239 021 70772 | 4239 021 70772 |
| 37 | Button frame printed | 4239 021 70764 | 4239 021 70764 | 4239 021 70762 | 4239 021 70762 |
| 38A | Pump assy | - | - | - | - |
| 38B | Service assy - Power board PCB-Pump | 4239 022 67101 | 4239 022 67101 | 4239 022 67101 | 4239 022 68091 |
| 39A | Power Cord EU - PVC | 2422 070 98401 | 2422 070 98401 | N/A | N/A |
| 39B | Power Cord AU | N/A | N/A | N/A | N/A |
| 39C | Power Cord UK | N/A | N/A | N/A | N/A |
| 39D | Power Cord EU - Cotton Braided | N/A | N/A | N/A | N/A |
| 39E | Power Cord BR | N/A | N/A | 2422 070 98495 | 2422 070 98496 |
| 40 | Stand bottom molded | 4239 026 65111 | - | 4239 026 56641 | 4239 026 56641 |
| 41 | Pump Inlet elbow | - | - | - | - |
| 42 | Corrugated tube | - | - | - | - |

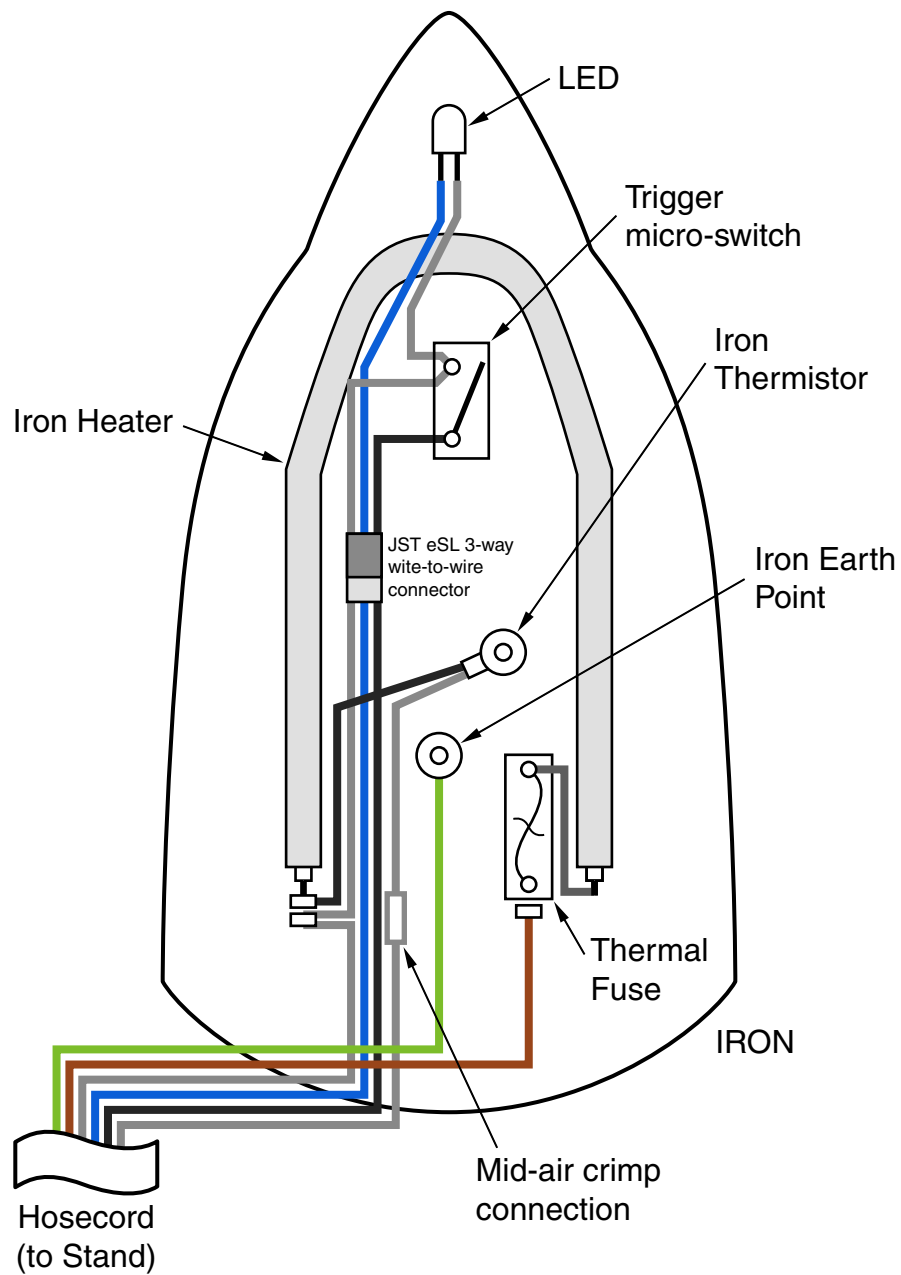
| Pos | Description | RI8645/82 886864582240 Service code | RI8645/84 886864584240 Service code |
|-----|-------------------------------------|---|---|
| 1 | Light strip cap assy | - | - |
| 2 | Inlay and light strip assy | 4239 021 76361 | 4239 021 76361 |
| 3 | Reflector molded | 4239 026 49561 | 4239 026 49561 |
| 4 | LED microswitch holder assy | 4239 021 71942 | 4239 021 71942 |
| 5 | Trigger spring | 4239 014 54961 | 4239 014 54961 |
| 6 | Trigger molded | 4239 026 56692 | 4239 026 56692 |
| 7 | Mica plate | 4239 010 12911 | 4239 010 12911 |
| 8 | Plastic washer | 4239 026 49501 | 4239 026 49501 |
| 9 | Decoration cap printed | 4239 021 70741 | 4239 021 70741 |
| 10 | Ryton ring | 4239 015 70153 | 4239 015 70153 |
| 11 | Deviator housing molded | 4239 026 49491 | 4239 026 49491 |
| 12 | Iron thermistor assy | 4239 021 69942 | 4239 021 69942 |
| 13 | Hose cord mounted assy | 4239 021 70708 | 4239 021 70708 |
| 14 | Housing printed | 4239 021 93531 | 4239 021 93531 |
| 15 | Soleplate mounted assy | 4239 021 94351 | 4239 021 82901 |
| 16 | Filling door molded | 4239 026 49714 | 4239 026 49714 |
| 17 | Rear lock rubber | 4239 015 59741 | 4239 015 59741 |
| 18 | Tray rubber cap | 4239 015 59731 | 4239 015 59731 |
| 19 | Tray cap molded | 4239 026 56681 | 4239 026 56681 |
| 20 | Tray printed | 4239 021 93541 | 4239 021 93541 |
| 21 | Front lock assy | 4239 021 80583 | 4239 021 80583 |
| 22 | Water tank assy | 4239 021 80611 | 4239 021 80611 |
| 23 | Rinse cap assy | 4239 021 71672 | 4239 021 71672 |
| 24 | Safety cap | 4239 015 59791 | 4239 015 59791 |
| 25 | Inox clamp | 4239 010 10261 | 4239 010 10261 |
| 26 | Braided rubber hose Boiler | 4239 015 59771 | 4239 015 59771 |
| 27 | Electrovalve | 2922 021 99032 | 2922 021 99016 |
| 28 | Spacer top | 4239 026 51241 | 4239 026 51241 |
| 29 | Rinse housing cap assy | 4239 021 98561 | 4239 021 98561 |
| 30 | Rinse housing assy | 4239 026 49732 | 4239 026 49732 |
| 31 | O-ring | 4239 015 59751 | 4239 015 59751 |
| 32 | Boiler assy | 4239 021 80321 | 4239 021 69893 |
| 33 | Boiler support bracket | 4239 026 42581 | 4239 026 42581 |
| 34 | Spacer bottom | 4239 026 32181 | 4239 026 32181 |
| 35 | Boiler thermistor assy | 4239 021 69951 | 4239 021 69951 |
| 36 | Power button printed | 4239 021 70773 | 4239 021 70773 |
| 37 | Button frame printed | 4239 021 70764 | 4239 021 70764 |
| 38A | Pump assy | - | 2922 029 98208 |
| 38B | Service assy - Power board PCB-Pump | 4239 022 67101 | 4239 022 67101 |
| 39A | Power Cord EU - PVC | N/A | N/A |
| 39B | Power Cord AU | N/A | N/A |
| 39C | Power Cord UK | N/A | N/A |
| 39D | Power Cord EU - Cotton Braided | N/A | N/A |
| 39E | Power Cord BR | 2422 070 98633 | 2422 070 98634 |
| 40 | Stand bottom molded | 4239 026 63821 | 4239 026 56673 |
| 41 | Pump Inlet elbow | 4239 015 59561 | 4239 015 59561 |
| 42 | Corrugated tube | 4239 015 59541 | 4239 015 59541 |

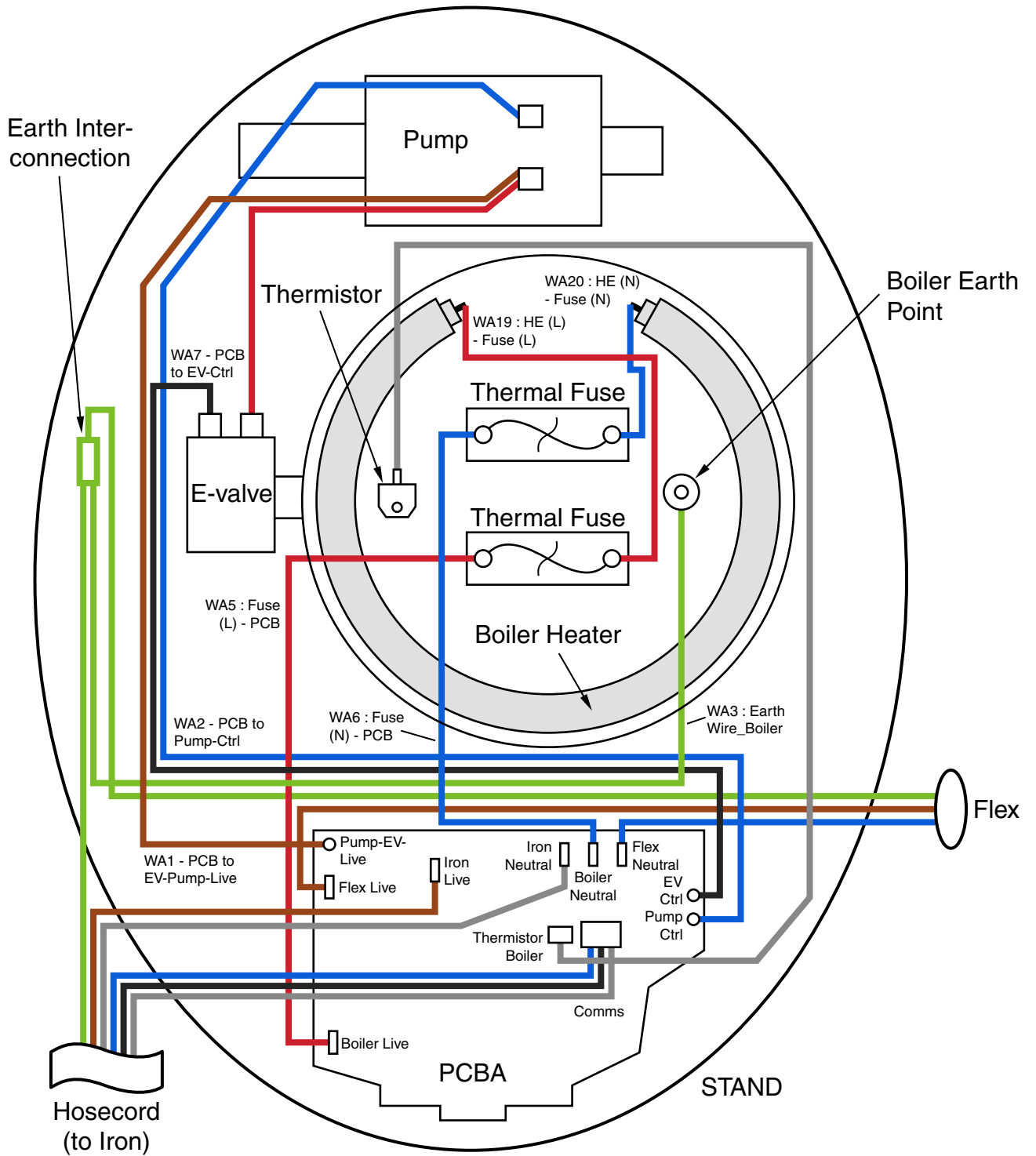












- Due to the high wattage of the iron, only the specified cord set must be used.
- Should damage be observed on the **HOSE - CORD ASSY 13** or **CORDSET 39**, they must be replaced.
- Continued usage is not allowed.
- When replacing the **MICROSWITCH ASSY 4**, please dress the 2 attached wires such that they are free of tension. Pulling force on the wires may affect the steam triggering.
- To avoid damage to the sealing & components of the **BOILER ASSY 32**, **NEVER** clean the boiler assy with vinegar, descaling agent or other corrosive chemicals.
- When replacing **ELECTROVALVE 27** or **PUMP ASSY 38**, please be reminded to apply loctite at the joints for good sealing.
- After the product has been repaired, it should function properly and has to meet the safety requirements & legal regulations as laid down & officially established at this moment.
- The following tests are common checks that are conducted on a repaired product before it is returned to the consumer.

1. Soleplate temperature

Check the soleplate temperature is within IEC requirement.

Measure the temperature of the soleplate after the iron has reached steady state i.e connected to the mains for at least 15 minutes. The table below shows the temperature requirement.

| | | | |
|-------------------------------|---------|------------------------|--|
| Soleplate temperature (Deg C) | | Materials, for example | |
| Minimum | Maximum | | |
| 120 | 143 | All fabric types | |

2. Leakage current

Check that leakage current is within IEC requirement.

Measure leakage current between LIVE/NEUTRAL & EARTH.

IEC requirement is that at 230 V supply, the EARTH leakage current must be less than 0.75 mA.

3. Water leakage / Functionality

Check that there is no water leakage from any part of product during operation.

Check that the functionality of the product (product dependent) eg. steaming, variable steam, SOS, ASO etc is working properly.

4. Loose part

Check that there are no loose parts eg. Extra screws in the product that can cause short-circuit or product malfunctions.

5. Self-Check mode

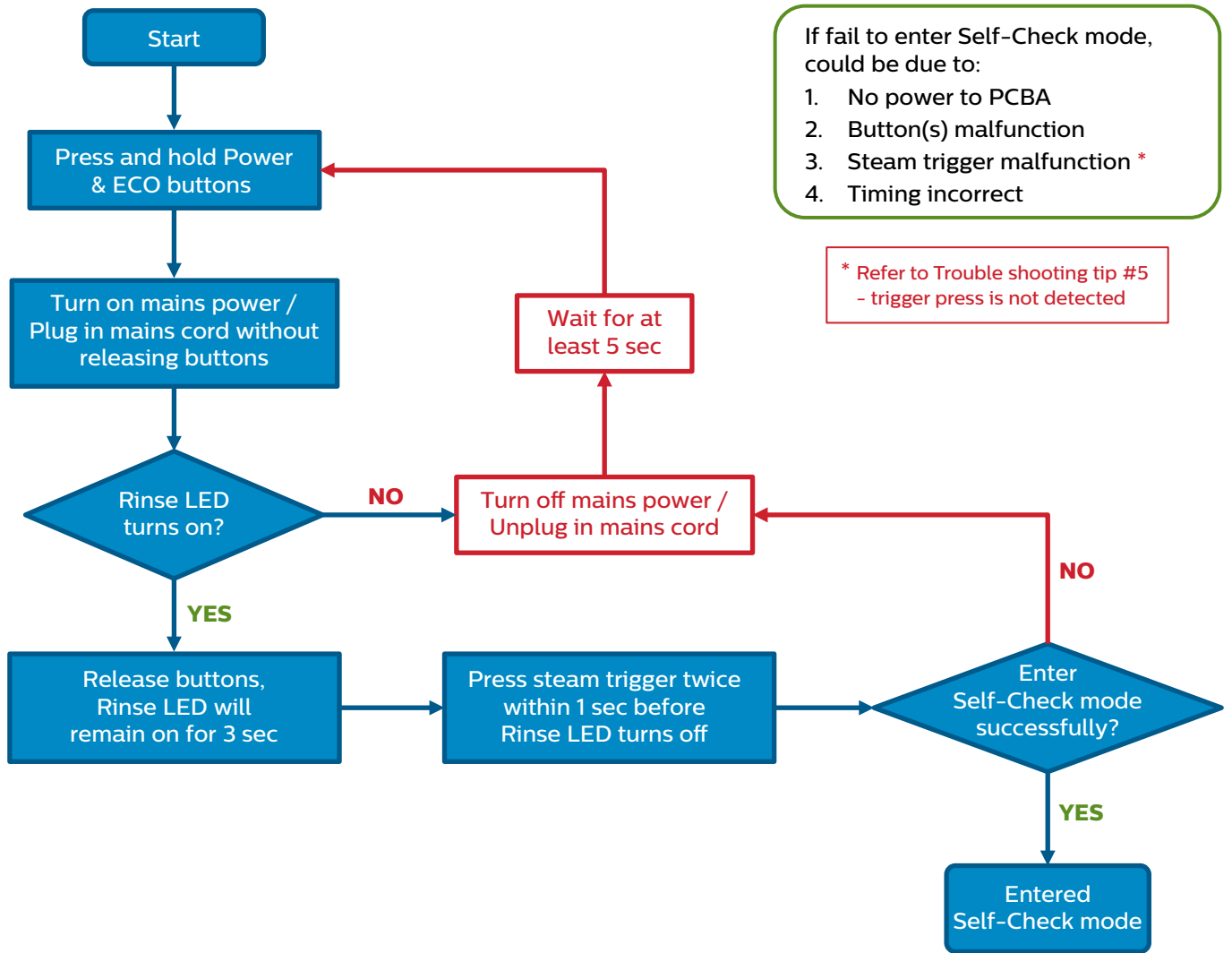
5.1. Introduction of Self-Check mode

Self-Check mode is **NOT** an exhaustive diagnosis, but a quick preliminary check on all the hardware function. Further test and troubleshooting may still be required by Service Center to identify the root cause.

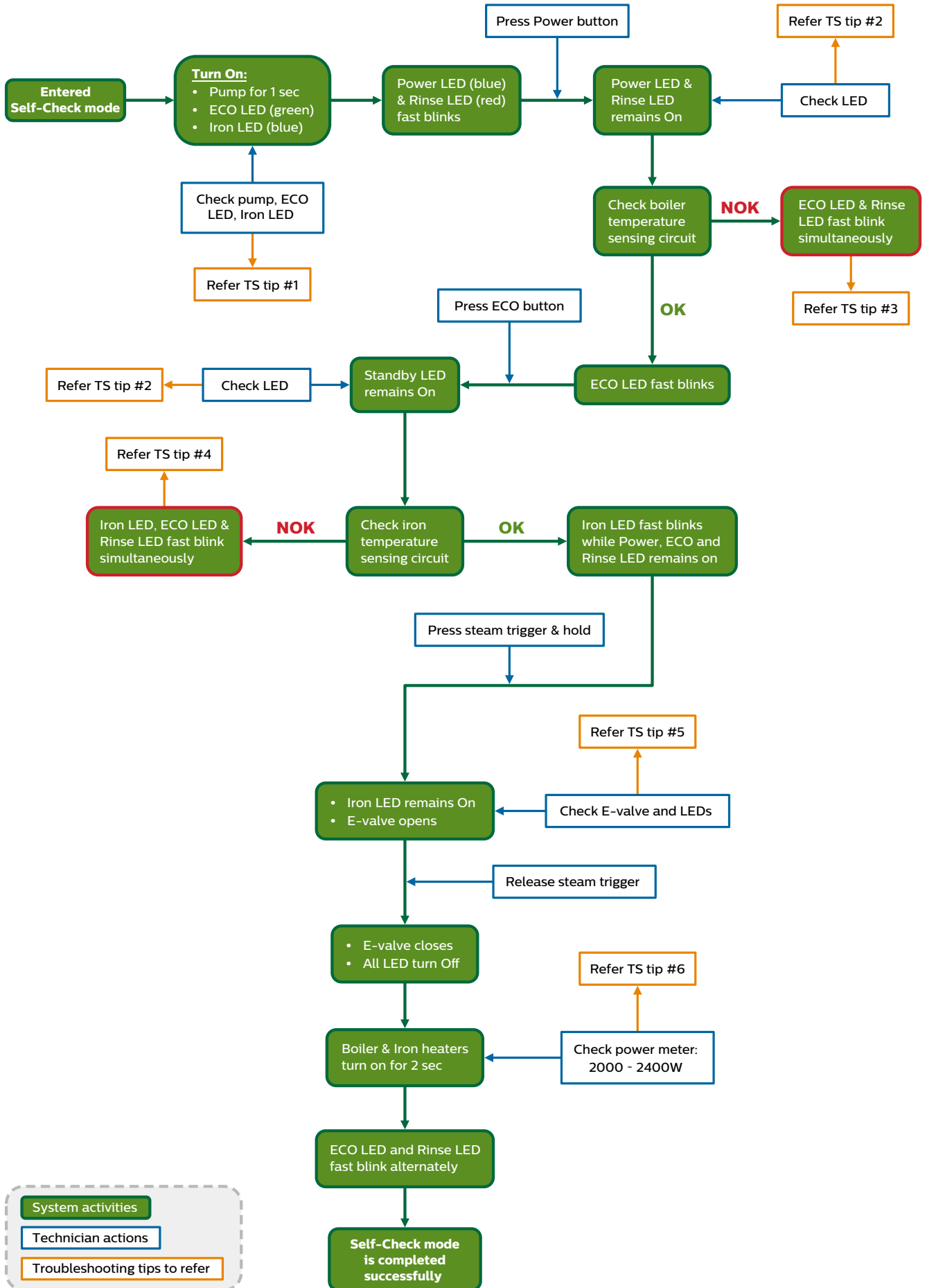
5.2. Before start Self-Check mode, please do the following checking

1. Power meter in place to monitor system power

5.3. Enter Self-Check mode Process Flow Chart



5.4. Perform Self-Check mode Process Flow Chart



5.5. Troubleshooting Tips

1. No pumping sound, fault could be on: TS tip #1

- a) Pump → [check by apply AC voltage directly](#)
- b) Power PCBA → [check by driving a known good pump](#)
- c) Connection → [check wire continuity](#)

2. Iron LED does not light up as specified, fault could be on:

- a) Iron LED or hose cord wiring → [disconnect connector 9010 from Power PCBA and measure across 9010 female side blue wire and iron Neutral to check diode characteristics](#)
- b) Power PCBA → [check by test another board](#)

3. Other LEDs do not light up as specified, fault should be on **PCBA**

1. LEDs do not light up as specified, fault could be on **button pressed** TS tip #2

1. Boiler temperature sensing circuit error, fault could be on: TS tip #3

- a) Thermistor → [check the resistance, should be around 200+ kΩ](#)
- b) Power PCBA → [check by test another board](#)
- c) Connection → [check wire continuity](#)

1. Iron temperature sensing circuit error, fault could be on: TS tip #4

- a) Thermistor → [check the resistance, should be around 200+ kΩ](#)
- b) Power PCBA → [check by test another board](#)
- c) Connection → [check wire continuity, especially hose cord](#)

1. E-valve does not open when steam trigger is pressed: TS tip #5

- If iron LED still keeps blinking, trigger press is not detected, fault could be on:
 - a) Trigger mechanism or hose cord connection → [disconnect connector 9010 from Power PCBA and measure continuity across the black wire and iron Neutral, it should be short circuit when trigger is pressed, and open circuit when trigger is released](#)
 - b) Power PCBA → [check by test another board](#)
- If iron LED becomes steady on when press steam trigger, and system shows completed Self-Check mode successfully after release the trigger → [check E-valve related parts and Power PCBA](#)

1. Power meter does not show 2000 ~ 2400 W when both heaters turn on: TS tip #6

- a) Fuse or heating element Open Circuit → [check resistance between Live and Neutral signal](#)
- b) Power PCBA → [check by test another board](#)

Determine which heater has issue based on power meter reading:
Boiler power: 1200 - 1500 W; Iron power: 750 - 850 W

Record History

GC8615 - RI8645

- Version 1: Created on Mar 2016
Consolidated GC86xx service manual
- Version 2: Created on May 2016
 - Part list updated
- Version 3: Created on Jun 2016
 - Part list GC8651/10 Pos. 13 changed into 4239 021 84321
- Version 4: Created on Jul 2016
 - Part list GC8650/80 Pos. 14 changed into 4239 021 80631
- Version 5: Created on Aug 2016
 - Added in model GC8646/20
 - Part list GC8624/20 Pos. 30 changed into 4239 021 98481
 - Part list RI8645/84 Pos. 38 changed into 2922 029 98208