



Philips Consumer Lifestyle

# Service Manual

## PRODUCT INFORMATION

### Fast & powerful crease removal

- Soleplate: SteamGlide
- OptimalTemp
- Continuous steam output: 120 g/min
- Steam boost: 230 g/min
- Vertical steam
- Steam pressure: Up to 5 bar
- Steam tip
- Power: 2400 W

### Easy to use

- Water tank capacity: 1500 ml
- Filling and emptying water: Detachable water tank Extra large opening door
- Refill any time
- Heat-up time: 2 min
- Hose storage: Hose storage compartment
- Cord storage: Cord storage compartment
- Power cord length: 1.8 m
- Cord freedom (swivel): 180 degree cord freedom
- Hose length: 1.7 m
- Safe for all fabrics: Even for delicates like silks

### Calc management

- Suitable for tap water
- Calc clean solution: Easy De-calc
- Calc clean reminder

## EMF & Service Information

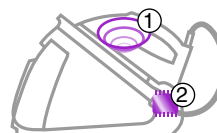
- This product meets the requirements regarding interference suppression on radio & TV.
- After the product has been repaired, it should function properly & has to meet the safety requirements as officially laid down at this moment.

## TECHNICAL INFORMATION

Voltage	: 220 - 240 V
Frequency	: 50 - 60 Hz
Power - Iron	: 800 W at 230 V
- Boiler	: 1370 W at 230 V
Dimension (F-box)	: 491 mm x 305 mm x 335 mm (Depth x Width x Height)
Weight	: Weight of iron: 1.2 kg Weight of iron + base: 5 kg

### Optimal Temp technology

- Delivers always perfect combination of steam and temperature
- 100% easy to use, no adjustment required
- 100% safe on all ironable garments
- 100% effective on all fabrics, no other iron is faster
- Tested and approved by independent textile experts



Always the perfect setting thanks to:  
1 - Cylonic steam chamber  
2 - Advanced Smart control processor

### Easy De-calc

Easy De-calc cap allows hassle free & effective scale removal to extend the life of the steam generator.

## DISASSEMBLY ADVICE - IRON

BACKPLATE ASSY 16

SOS KNOB 13

INLAY MOLDED 17

MICRO-SWITCH ASSY 12

HOSE CORD MOUNTED  
ASSY SOS 15HOUSING & LENS  
ASSY PRINTED 9

LIGHT GUIDE ASSY 10

COVER MOLDED SOS 8

DEVIATOR ASSY 3

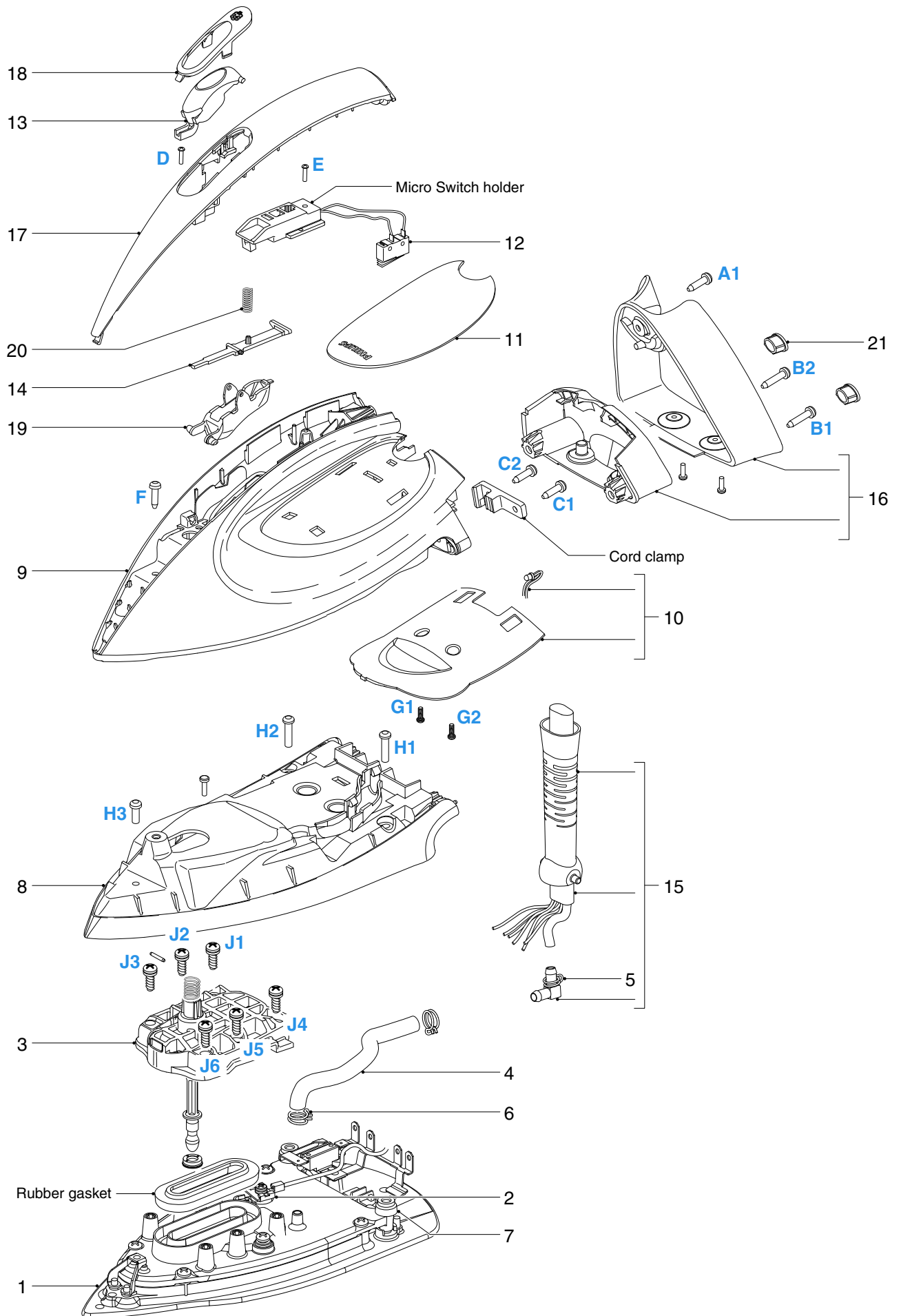
SOLEPLATE MOUNTED  
ASSY 1

- Remove Screw A
- Disassemble BACKPLATE SCREW PLATE 21
- Remove Screws B1, B2
- Disassemble BACKPLATE ASSY 16
- Remove Screws C1, C2
- Remove Cord clamp
- Disassemble SOS KNOB COVER 18

*Tip for disassembling SOS KNOB COVER 18:  
Carefully insert a sharp object into the gap at the side & slowly  
lift up the part*

- Disassemble SOS KNOB 13
- Remove Screw D
- Disassemble INLAY MOLDED 17
- Remove Screw E
- Disassemble MICRO-SWITCH ASSY 12
- Remove Screw F
- Disassemble HOUSING & LENS ASSY PRINTED 9
- Remove Screws G1, G2
- Disassemble LIGHT GUIDE ASSY 10
- Remove Screws H1 - H3
- Disassemble COVER MOLDED SOS 8
- Remove Screws J1 - J6
- Disassemble DEVIATOR ASSY 3

Pos	Service code	Description
1	4239 021 61371	Soleplate mounted assy 230 V / 800 W
2	4239 021 61471	Thermistor assy Iron
3	4239 021 61523	Deviator assy
4	4239 015 59151	Braided rubber hose iron
5	4239 010 11991	Hose clip (ID=8.7)
6	4239 010 10281	Hose clip-Braided rubber hose
7	4239 015 70153	Ryton ring
8	4239 026 44621	Cover molded SOS
9	4239 021 65741	Housing & Lens assy printed
10	4239 021 61771	Light Guide assy
11	4239 021 64361	Deco_Plate & top Cover assy printed
12	4239 021 61561	Micro-switch assy
13	4239 021 65531	SOS knob sprayed painted
14	4239 026 42481	SOS lever molded
15	4239 021 63482	Hose cord mounted assy SOS
16	4239 021 63491	Backplate assy
17	4239 026 44651	Inlay molded
18	4239 026 42521	SOS knob cover
19	4239 026 42531	Trigger molded
20	4239 014 54961	Trigger spring
21	4239 026 42551	Backplate screw cap

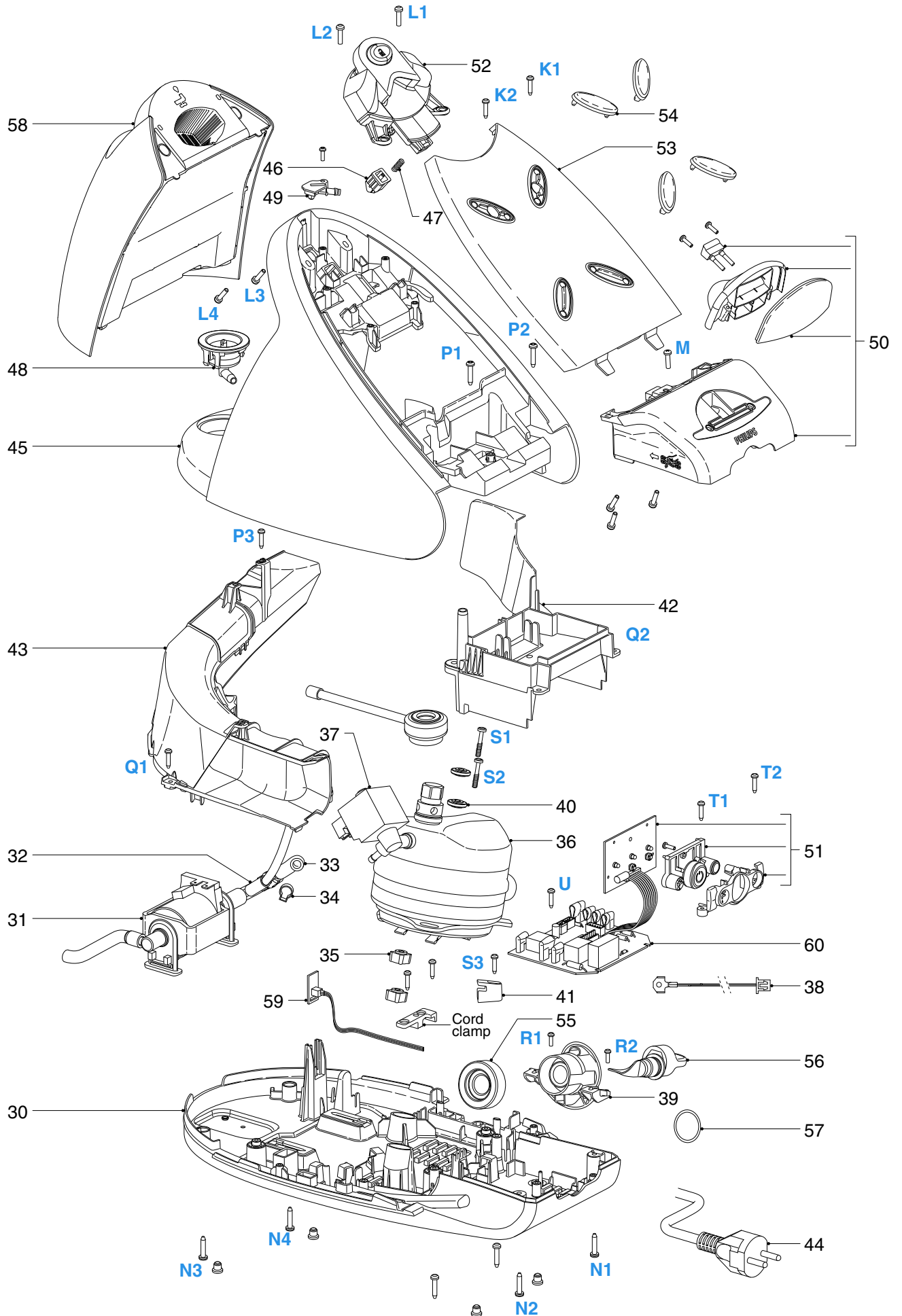


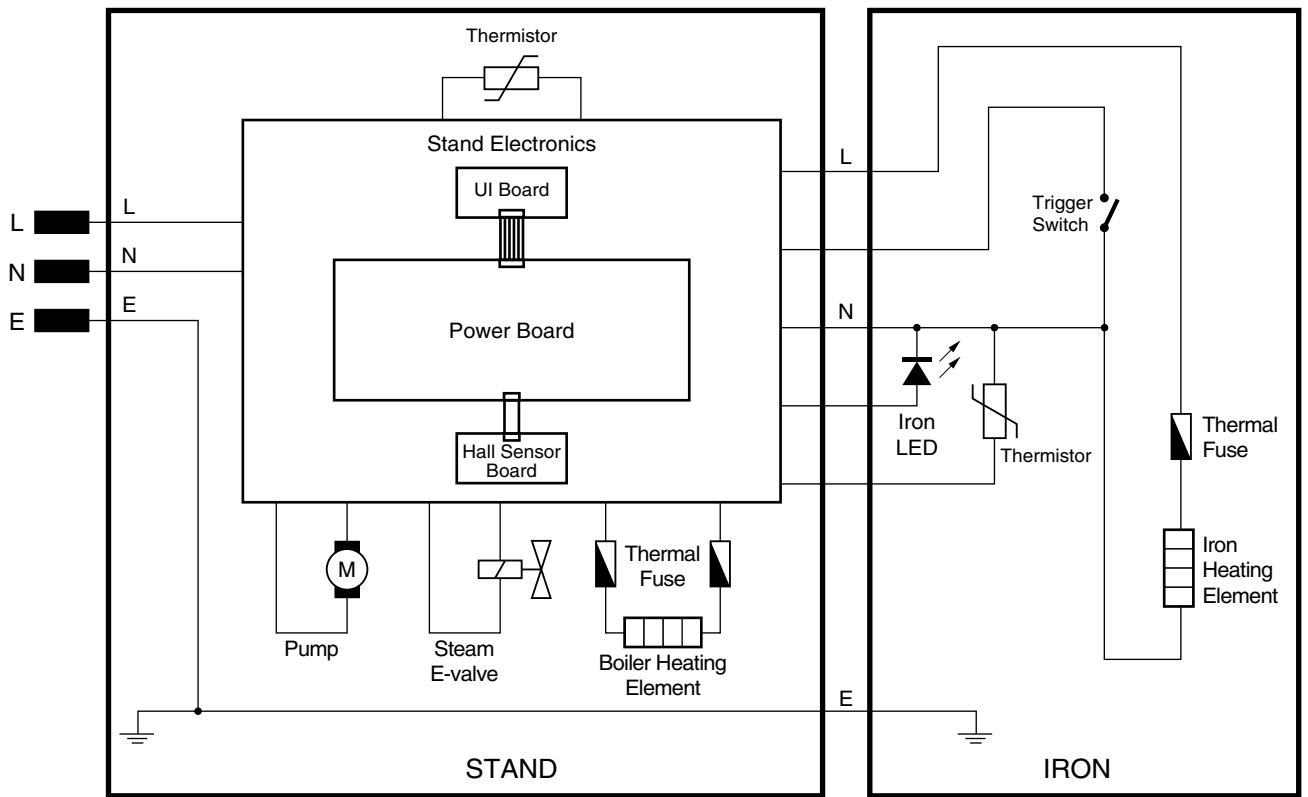
- WATER TANK PRINTED  
ASSY 58**
- TRAY MOLDED 53**
- DISPLAY COVER PRINTED  
ASSY 50**
- STAND TOP MOLDED 45**
- POWER CORD STORAGE  
MOLDED 42**
- HOSE CORD STORAGE  
COMPARTMENT ASSY 43**
- RINSE CAP ASSY 56**
- RINSE HOUSING  
PRINTED 39**
- BOILER ASSY 36**
- BUTTON PANEL ASSY 51**
- POWER BOARD PCB  
ASSY 60**

- Remove WATER TANK PRINTED ASSY 58
- Remove TRAY RUBBER CAP 54
- Remove Screws K1, K2
- Disassemble TRAY MOLDED 53
- Remove Screws L1 - L4
- Remove Screw M
- Remove Screws N1 - N4
- Disassemble DISPLAY COVER PRINTED ASSY 50
- Remove Screws P1 – P3
- Disassemble STAND TOP MOLDED 45
- Remove Screws Q1, Q2
- Disassemble POWER CORD STORAGE MOLDED 42
- Disassemble HOSE CORD STORAGE COMPARTMENT ASSY 43
- Remove RINSE CAP ASSY 56
- Remove Screws R1, R2
- Disassemble RINSE HOUSING PRINTED 39
- Remove Screws S1, S2, S3
- Disassemble BOILER SUPPORT BRACKET MOLDED 41
- Disassemble BOILER ASSY 36
- Remove Screws T1, T2
- Disassemble BUTTON PANEL ASSY 51
- Remove Screw U
- Disassemble POWER BOARD PCB ASSY 60

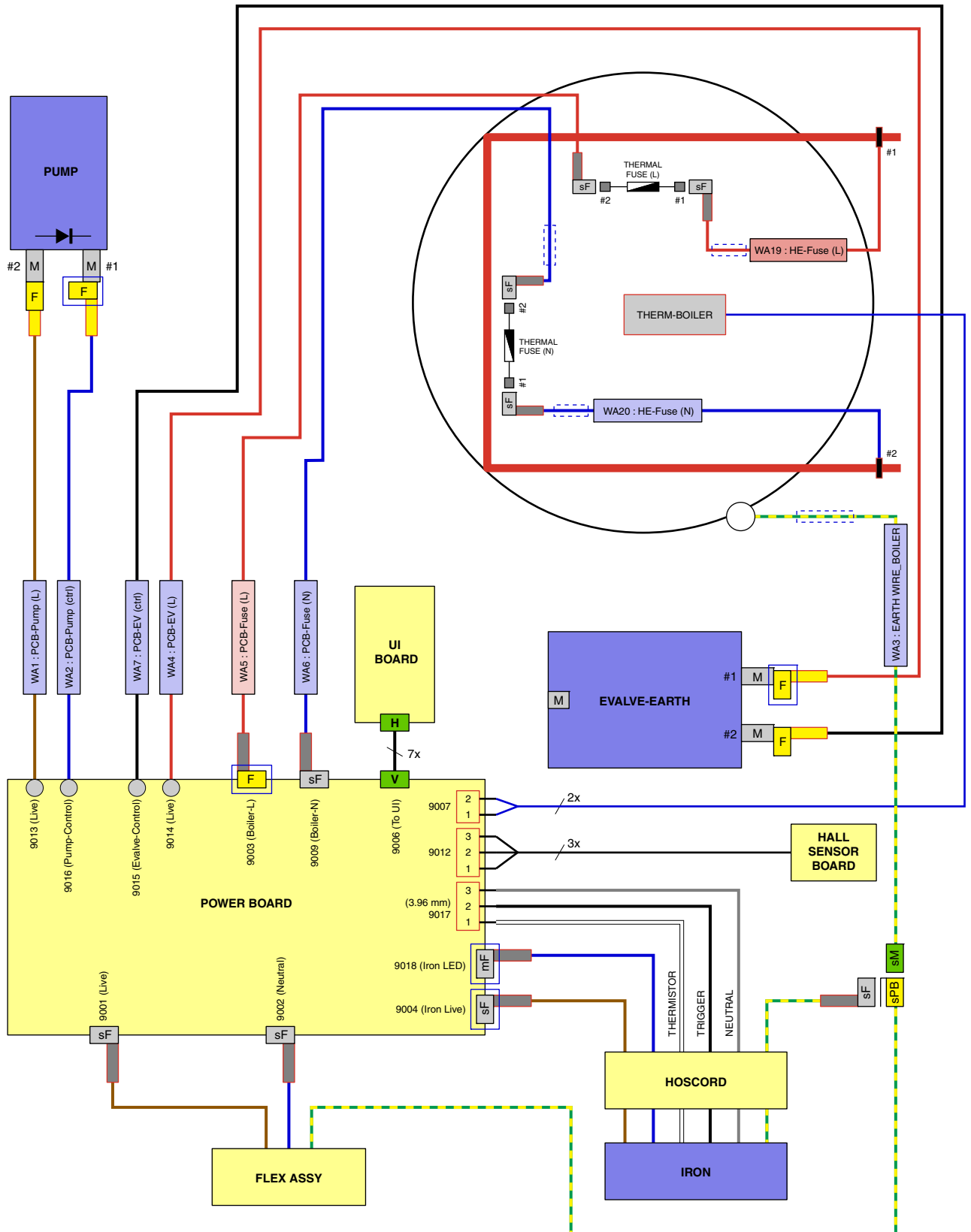
Pos	Service code	Description
30	4239 021 63531	Stand bottom assy
31	4239 021 61601	Pump assy
32	4239 026 42081	De-air valve
33	4239 015 59201	Braided rubber hose boiler
34	4239 010 10261	Inox clamp
35	4239 026 32181	Spacer Bottom molded
36	4239 021 61611	Boiler assy
37	4239 017 10902	Electrovalve
38	4239 021 61812	Thermistor assy Boiler
39	4239 021 65611	Rinse Housing printed
40	4239 026 31641	Spacer top molded
41	4239 026 42581	Boiler support bracket molded
42	4239 026 44731	Power cord storage molded
43	4239 021 63551	Hose cord storage compartment assy
44	4239 000 11571	Cord set EU
45	4239 026 44761	Stand top molded
46	4239 026 44771	Tank Catch molded
47	4239 014 54982	Tank Catch Spring
48	4239 021 63561	Inlet coupling plate welded
49	4239 026 44801	De-air coupling molded
50	4239 021 63571	Display cover printed assy
51	4239 021 63591	Button panel assy
52	4239 021 63601	Front Bracket assy
53	4239 026 44851	Tray molded
54	4239 015 59221	Tray rubber cap
55	4239 015 59231	Rinse Rubber Bush
56	4239 021 63611	Rinse cap assy
57	4239 015 58201	O-ring
58	4239 021 63621	Water tank printed assy
59	4239 021 61721	Hall sensor PCBA assy
*60	4239 021 77331	Power Board PCB assy (8pin)

\* Refer service instruction (item #5) for additional service recommendation.



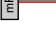







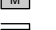











LEGEND:

- |   |  |   |  |
|---|--|---|--|
|  | Female Push-on 4.8 x 0.8 mm L-shape Connector  |  | Sleeve - Fiber Glass                       |
|  | Female Push-on 5.2 x 0.8 mm L-shape Connector  |  | Insulated Tab - Silicon Rubber             |
|  | Male Tab Terminal 4.8 x 0.8 mm                 |  | Ring Terminal M4.3                         |
|  | Female Push-on L-shape Connector 6.35 x 0.8 mm |  | Splice 6.0 mm                              |
|  | Female Push-on Connector 6.35 x 0.8 mm         |  | Directly soldered on PCB                   |
|  | Male Tab Terminal 6.35 x 0.8 mm                |  | 7-pin Board-in Connector 2 mm (horizontal) |
|  | Piggy Back Push-on Connector 4.8 x 0.8 mm      |  | 7-pin Connector 2 mm (vertical)            |

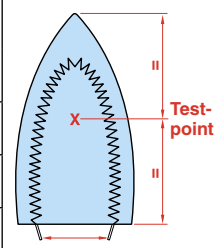
- Due to the high wattage of the iron, only the specified cord set must be used.
- Should damage be observed on the **HOSE CORD MOUNTED ASSY 15** or **CORD SET 44**, they must be replaced. Continued usage is not allowed.
- When replacing the **MICROSWITCH ASSY 12**, please dress the 2 attached wires such that they are free of tension. Pulling force on the wires may affect the steam triggering.
- To avoid damage to the sealing & components of the **BOILER ASSY 36**, NEVER clean the boiler assy with vinegar, descaling agent or other corrosive chemicals.
- When replacing **ELECTROVALVE 37** or **PUMP ASSY 31**, please be reminded to apply locite at the joints for good sealing.
- After the product has been repaired, it should function properly and has to meet the safety requirements & legal regulations as laid down & officially established at this moment.
- The following tests are common checks that are conducted on a repaired product before it is returned to the consumer.

**1. Soleplate temperature**

Check that soleplate temperature is within IEC requirement.

Measure the temperature of the soleplate after the iron has reached steady state i.e connected to the mains for at least 15 minutes. The table below shows the temperature requirement.

Marking	Soleplate temperature (Deg C)			Material, for example
	Minimum	Maximum	Nominal + Tolerance	
• (1 dot)	70	120	95 ± 25	Acetate, elastane, polyamide, polypropylene
•• (2 dots)	100	160	130 ± 30	Cupro, polyester, silk, triacetate, viscose, wool
••• (3 dots)	140	210	175 ± 35	Cotton, linen



**2. Leakage current**

Check that leakage current is within IEC requirement.

Measure leakage current between LIVE/NEUTRAL & EARTH.

IEC requirement is that at 230 V supply, the EARTH leakage current must be less than 0.75 mA.

**3. Water leakage / Functionality**

Check that there is no water leakage from any part of the product during operation.

Check that the functionality of the product (product dependent) eg. steaming, variable steam, SOS, ASO etc is working properly.

**4. Loose part**

Check that there are no loose parts eg. extra screw in the product that can cause short-circuit or product malfunction.

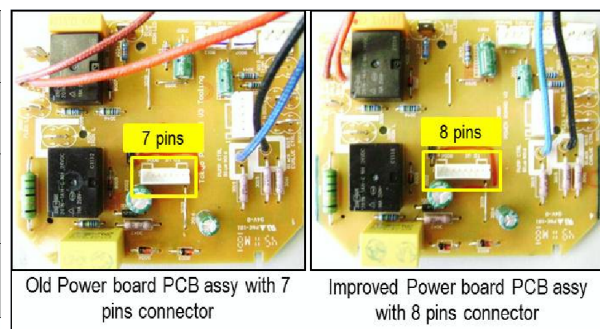
**5. Power Board PCB assy**

Dismantle the old Power Board PCB assy and replace with a improved Power Board PCB assy for all sets with production week code before wk1212.

Repair option:

Return set PerfectCare Expert GC92xx	Repair Options	Service Code to order
If Power Board PCB Assy is 7 pins connector version	<b>Option 1 *</b> Replace Power Board PCB Assy	<b>Pos 60:</b> 423902175591 Power Board PCB Assy (7-pin connector)
	<b>Option 2</b> Replace Power Board PCB Assy and Button Panel Assy	<b>Pos 60:</b> 423902177331 Power Board PCB Assy (8-pin connector) <b>Pos 51:</b> 423902170311 Button Panel Assy (8-pin connector)
If Power Board PCB Assy is 8 pins connector version	<b>Option 3</b> Replace Power Board PCB Assy	<b>Pos 60:</b> 423902177331 Power Board PCB Assy (8-pin connector)

\* If Repair Option 1 Power Board PCB Assy (423902175591) is not available, please use Repair Option 2.

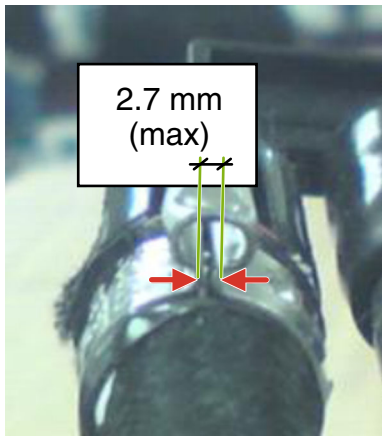
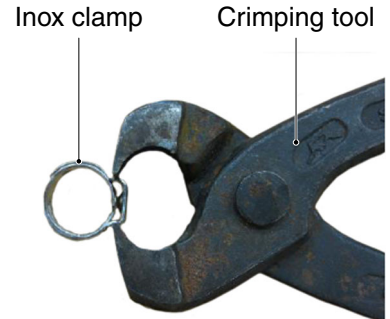


5. Crimping INOX CLAMP 34

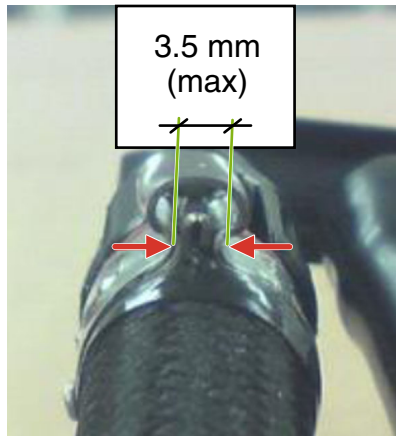
When exchanging BOILER ASSY 36 or DE-AIR VALVE 32 or BRAIDED RUBBER HOSE BOILER 33, it is necessary to replace the INOX CLAMP 34. Below instructions ensure that the inox clamp is crimped correctly.



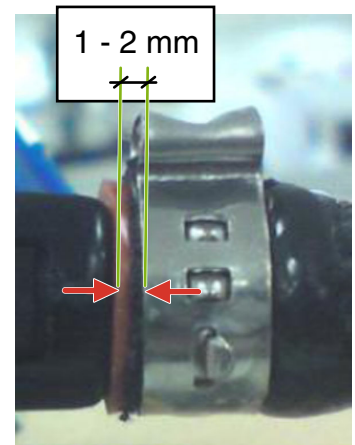
Knipex Crimping tool



Direct crimp form



Fold in crimp



Distance from edge of crimp to rubber hose

**CAUTION:** When crimping on plastic part like DE-AIR VALVE, avoid over crimping which may lead to plastic part crack.

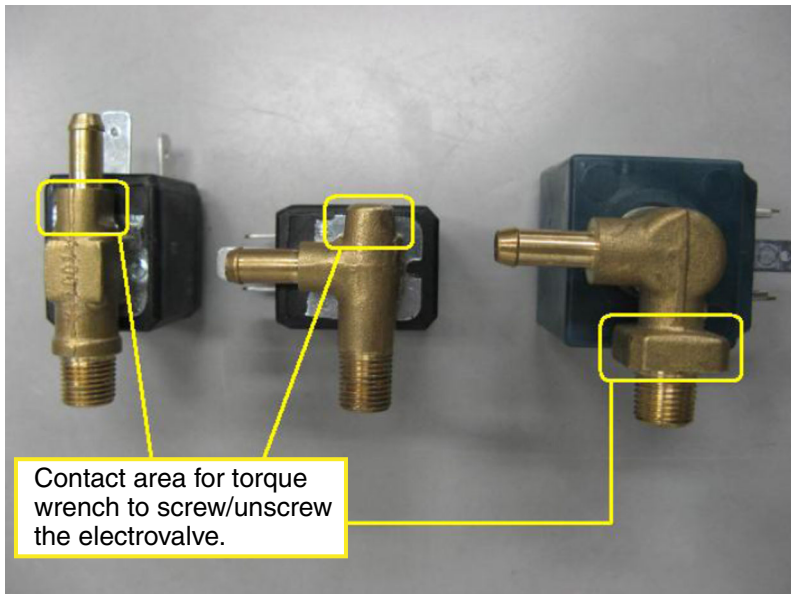
6. Replacing ELECTROVALVE 37

To prevent damage to the electrovalve during service activity, please observe below precautions during disassembly & reassembly.

Tools required: Torque wrench (set to 6 kgf)



CAUTION #1: The torque wrench engagement is allowed ONLY at the yellow box locations in below picture.



CAUTION #2: Ensure torque wrench jaw does not contact the solenoid body.

