

Philips Consumer Lifestyle

Service Manual

Product information**Fast & powerful crease removal**

- Continuous steam output: 120 – 140 g/min
- OptimalTEMP technology
- Safe rest
- Soleplate: T-ionicGlide
- Steam boost: 400 – 450 g
- Steam output control
- Steam tip
- Variable steam settings
- Vertical steaming
- Pressure: 6.5 – 7.5 bar

Easy to use

- Cord freedom (swivel): 180 degree cord freedom
- Cord storage: Cord storage compartment
- Heat up time: 2 min
- Hose storage: Hose storage compartment
- Low water alarm
- Open handle
- Power cord length: 1.8 m
- Refill any time
- Safe for all fabrics: Even for delicates like silks
- Storage solution: Carry lock
- Ultra light and comfortable
- Water tank capacity: 1800 ml
- Filling and emptying water: Detachable water tank, Extra large filling hole

Sustainability

- ECO setting
- Energy saving: 50% energy reduction
- Warranty: 2 year(s)

Safety Information

- This product meets the requirements regarding interference suppression on radio and TV.
- After the product has been repaired, it should function properly and has to meet the safety requirements and legal regulations as officially laid down at this moment.

Calc management

- Suitable for tap water
- Calc clean reminder
- Calc clean solution: Easy De-Calc Plus

Technical information

- Voltage : 220 – 240 V
- Frequency : 50 – 60 Hz
- Power : 2000 – 2400 W
- Dimensions (W x H x L):
 - Packaging : 31 x 35 x 51 cm
 - Product : 23.3 x 28.5 x 45.3 cm
- Weight:
 - Iron : 0.8 kg
 - Iron + Base : 5.1 kg

Product matrix

GC9620 - GC9650



Model Number	GC9620/20 GC9620/21	GC9622/20 GC9622/21 GC9622/28	GC9625/20	GC9630/20 GC9630/21 GC9630/97
Power	2000 - 2400 W	2000 - 2400 W	2000 - 2400 W	2000 - 2400 W
Heat-up time	2 min	2 min	2 min	2 min
Steam pressure	Up to 6.5 bar	Up to 6.5 bar	Up to 6.6 bar	Up to 6.7 bar
Continuous steam	120 g/min	125 g/min	125 g/min	125 g/min
Steam boost	400 g	400 g	410 g	420 g
Vertical steam	Yes	Yes	Yes	Yes
Soleplate	T-ionicGlide	T-ionicGlide	T-ionicGlide	T-ionicGlide
Calc clean solution	Easy De- Calc Plus	Easy De- Calc Plus	Easy De- Calc Plus	Easy De- Calc Plus
ECO mode	Yes	Yes	Yes	Yes
Silent steam technology	No	No	No	No
Water tank	1800 ml	1800 ml	1800 ml	1800 ml
Storage solution	Carry lock	Carry lock	Carry lock	Carry lock
Safety auto off	No	Yes	Yes	Yes
Hose length	1.7 m	1.7 m	1.7 m	1.7 m
Accessories	No	No	No	No



Model Number	GC9640/60 GC9640/61 GC9640/97	GC9642/60 GC9642/61 GC9642/68 GC9642/97	GC9650/80 GC9650/81 GC9650/97
Power	2000 - 2400 W	2000 - 2400 W	2000 - 2400 W
Heat-up time	2 min	2 min	2 min
Steam pressure	Up to 7.0 bar	Up to 7.2 bar	Up to 7.5 bar
Continuous steam	130 g/min	135 g/min	140 g/min
Steam boost	430 g	440 g	450 g
Vertical steam	Yes	Yes	Yes
Soleplate	T-ionicGlide	T-ionicGlide	T-ionicGlide
Calc clean solution	Easy De- Calc Plus	Easy De- Calc Plus	Easy De- Calc Plus
ECO mode	Yes	Yes	Yes
Silent steam technology	Yes	Yes	Yes
Water tank	1800 ml	1800 ml	1800 ml
Storage solution	Carry lock	Carry lock	Carry lock
Safety auto off	Yes	Yes	Yes
Hose length	1.7 m	1.7 m	2 m
Accessories	Non - Woven Bag	Non - Woven Bag	Non - Woven Bag, Glove

INLAY & LIGHT STRIP 1

MICROSWITCH & REFLECTOR ASSY 2

TRIGGER SPRING 4

TRIGGER 5

HOUSING CAP 6

HOUSING 8

- Remove **Screw A1**
- Remove **INLAY & LIGHT STRIP 1**
- Remove **Screw B1, B2, B3 & B4**
- Remove **MICRO SWITCH & REFLECTOR ASSY 2**
- Remove **TRIGGER SPRING 4**
- Remove **TRIGGER 5**
- Remove **HOUSING CAP 6**
- Remove **Screw C1**
- Remove **Screw D1 & D2**
- Remove **HOUSING 8**

GROMMET 7

CORD CLAMP 9

RUBBER BUNG 11 & RYTON RING 12

CHASSIS 10

SOLEPLATE ASSY 13

- Remove **Screw E1 & E2**
- Remove **GROMMET 7**
- Remove **Screw F1 & F2**
- Remove **CORD CLAMP 9**
- Disconnect **All wire connection**
- Remove **RUBBER BUNG 11**
- Remove **RYTON RING 12**
- Remove **Mica sheet**
- Remove **Screw G1, G2, G3 & G4**
- Remove **CHASSIS 10**
- Remove **SOLEPLATE ASSY 13**
- Remove **Screw H1**
- Remove **Thermistor**

FRONT LOCK SLIDER SPRING 16H

FRONT LOCK CATCH SPRING 16G

- Remove **Screw J1 - J5**
- Remove **Tray**
- Remove **FRONT LOCK SLIDER SPRING 16H**
- Remove **Lock assy**
- Remove **Screw K1, K2, K3 & K4**
- Remove **Front lock bracket**
- Remove **FRONT LOCK CATCH SPRING 16G**

UI POWER BOARD 23

BUTTON FRAME 24

POWER BUTTON 25

- Remove **TRAY 18**
- Remove **Screw L1, L2 & L3**
- Remove **IU BOARD PCBA 23**
- Remove **Screw M1 & M2**
- Remove **BUTTON FRAME 24**
- Remove **POWER BUTTON 25**

WATER TANK ASSY 15

TRAY RUBBER CAP 17

BUNG 51

STAND TOP 19

RETURN TUBE 29

- Remove **WATER TANK ASSY 15**
- Remove **TRAY RUBBER CAP 17**
- Remove **BUNG 51**
- Remove **Screw A1 - A10**
- Remove **STAND TOP 19**
- Remove **RETURN TUBE 29**

INLET SUPPORT SEAL 30

INLET SUPPORT PLATE 31

INLET COUPLING SUPPORT 32

- Remove **Screw B1 & B2**
- Remove **INLET SUPPORT SEAL 30**
- Remove **INLET COUPLING PLATE 31**
- Disconnect **Tube**
- Remove **INLET COUPLING SUPPORT 32**

POWER BOARD PCBA ASSY 20

PCBA HOLDER 21

HALL SENSOR PCBA ASSY 22

PUMP SUPPORT 28A & 18B

CORRUGATED ELBOW TUBE 27

BRAIDED RUBBER HOSE 33

PUMP ASSY 26

- Remove **Screw C1 - C5**
- Remove **POWER BOARD PCBA ASSY 20**
- Remove **PCBA HOLDER 21**
- Disconnect **All wire connection**
- Remove **HALL SENSOR PCBA ASSY 22**
- Remove **PUMP SUPPORT 28A & 18B**
- Remove **CORRUGATED ELBOW TUBE 27**
- Remove **Inox clamp**
- Remove **Hose clip**
- Remove **BRAIDED RUBBER HOSE 33**
- Remove **PUMP ASSY 26**

SAFETY CAP 38B

SAFETY VALVE 38A

E-VALVE 37

RINSE CAP ASSY 42

SPACER TOP 46

SPACER BOTTOM 47

BOILER ASSY 36

- Remove **SAFETY CAP 38B**
- Remove **SAFETY VALVE 38A**
- Remove **E-VALVE 37**
- Remove **Hose clip**
- Remove **BRAIDED RUBBER HOSE 33**
- Remove **Screw D1 - D5**
- Remove **RINSE CAP 42**
- Remove **SPACER TOP 46**
- Remove **SPACER BOTTOM 47**
- Remove **BOILER ASSY 36**

CLAMPING PLATE 45

CORD SET 43

CORD CLAMP 44

HOSE CORD MTD ASSY 14

BELT LOOP LEFT 49 & RIGHT 48

STAND BOTTOM 50

- Remove **Screw E1 & E2**
- Remove **CLAMPING PLATE 45**
- Remove **CORD SET 43**
- Remove **Screw F1 & F2**
- Remove **CORD CLAMP 44**
- Remove **HOSE CORD MTD ASSY 14**
- Remove **Screw G1, G2 & G3**
- Remove **BELT LOOP LEFT 49**
- Remove **Screw H1, H2 & H3**
- Remove **BELT LOOP RIGHT 48**
- Remove **STAND BOTTOM 50**

Pos	Description	GC9620/20 Service code	GC9620/21 Service code	GC9622/20 Service code	GC9622/21 Service code
1	Inlay & Light strip	4239 021 88451	4239 021 88441	4239 021 88441	4239 021 88441
2	Reflector assy	4239 026 61311	4239 026 61311	4239 026 61311	4239 026 61311
3	LED wire assy	4239 021 87002	4239 021 87002	4239 021 87002	4239 021 87002
4	Trigger spring	4239 014 55381	4239 014 55381	4239 014 55381	4239 014 55381
5	Trigger	4239 026 61341	4239 026 61921	4239 026 61341	4239 026 61921
6	Housing cap	4239 015 61511	4239 015 61511	4239 015 61511	4239 015 61511
8	Housing & Deco plate	4239 021 88521	4239 021 88901	4239 021 88521	4239 021 88901
10	Chassis	4239 026 61291	4239 026 61292	4239 026 61291	4239 026 61292
11	Rubber bung	4239 015 59781	4239 015 59781	4239 015 59781	4239 015 59781
12	Ryton ring	4239 015 70153	4239 015 70153	4239 015 70153	4239 015 70153
13	Soleplate Mtd assy	4239 021 86871	4239 021 88571	4239 021 86871	4239 021 88571
14	Hose cord Mtd assy	4239 021 86962	4239 021 86964	4239 021 86962	4239 021 86964
15	Water tank assy	4239 021 87891	4239 021 87891	4239 021 87891	4239 021 87891
16G	Front lock catch spring	4239 014 55091	4239 014 55091	4239 014 55091	4239 014 55091
16H	Front lock slider spring	4239 014 55011	4239 014 55011	4239 014 55011	4239 014 55011
17	Tray rubber cap	4239 015 59731	4239 015 59731	4239 015 59731	4239 015 59731
18B	Pump support outlet	4239 015 60351	4239 015 61641	4239 015 60351	4239 015 61641
19	Stand top	4239 021 88511	4239 021 88533	4239 021 88551	4239 021 88553
19A	Tray	-	-	-	-
19B	Front Lock assy	-	-	-	-
19C	Stand top molded	-	-	-	-
20	Power board PCBA assy	4239 021 87372	4239 021 87372	4239 021 87372	4239 021 87372
21	PCBA holder	4239 026 61591	4239 026 61591	4239 026 61591	4239 026 61591
22	Hall sensor PCBA assy	4239 021 87391	4239 021 87391	4239 021 87391	4239 021 87391
23	IU board PCBA assy	4239 021 87382	4239 021 87382	4239 021 87382	4239 021 87382
24	Button frame	4239 021 87841	4239 021 87841	4239 021 87841	4239 021 87841
25	Power button	4239 021 87851	4239 021 87851	4239 021 87851	4239 021 87851
26	Pump assy	4239 021 86521	4239 021 87361	4239 021 86591	4239 021 87361
27	Corrugated elbow tube	4239 015 61551	4239 015 61551	4239 015 61551	4239 015 61551
28A	Pump support inlet	4239 015 60761	4239 015 61631	4239 015 60761	4239 015 61631
29	Return tube	4239 015 59321	4239 015 59321	4239 015 59321	4239 015 59321
30	Inlet support seal	4239 015 61571	4239 015 61571	4239 015 61571	4239 015 61571
31	Inlet coupling plate	4239 021 88461	4239 021 88461	4239 021 88461	4239 021 88461
32	Inlet coupling support	4239 026 61601	4239 026 61601	4239 026 61601	4239 026 61601
33	Braided rubber hose	4239 015 61381	4239 015 61381	4239 015 61381	4239 015 61381
34	Hose clip	4239 010 10281	4239 010 10281	4239 010 10281	4239 010 10281
35	Inox clamp	4239 010 10261	4239 010 10261	4239 010 10261	4239 010 10261
36	Boiler assy (1700 W)	4239 010 14061	4239 010 14061	4239 010 14061	4239 010 14061
37	E-valve (7 bar)	4239 010 13831	4239 010 13831	4239 010 13831	4239 010 13831
38A	Safety valve (8 bar)	4239 010 13821	4239 010 13821	4239 010 13821	4239 010 13821
38B	Safety cap Nat	4239 015 59211	4239 015 59211	4239 015 59211	4239 015 59211
39	Water probe assy	4239 021 86971	4239 021 86971	4239 021 86971	4239 021 86971
40	Boiler support bracket	4239 026 42581	4239 026 42581	4239 026 42581	4239 026 42581
41	Ryton ring (Boiler)	4239 015 70153	4239 015 70153	4239 015 70153	4239 015 70153

Pos	Description	GC9620/20 Service code	GC9620/21 Service code	GC9622/20 Service code	GC9622/21 Service code
42	Rinse cap assy	4239 021 87871	4239 021 87871	4239 021 87871	4239 021 87871
43	Cordset	2422 070 98596	2422 070 98612	2422 070 98596	2422 070 98612
43	Cord set (Thailand)	N/A	N/A	N/A	N/A
44	Cord clamp	4239 026 26273	4239 026 26273	4239 026 26273	4239 026 26273
45	Clamping plate	4239 010 00283	4239 010 00283	4239 010 00283	4239 010 00283
46	Spacer top	4239 026 51241	4239 026 51241	4239 026 51241	4239 026 51241
47	Spacer bottom	4239 026 32181	4239 026 32181	4239 026 32181	4239 026 32181
50	Stand bottom assy	4239 021 88501	4239 021 88501	4239 021 88501	4239 021 88501
51	Bung	4239 015 52342	4239 015 52342	4239 015 52342	4239 015 52342
52	Glove	N/A	N/A	N/A	N/A

Pos	Description	GC9622/28 Service code	GC9625/20 Service code	GC9630/20 Service code	GC9630/21 Service code
1	Inlay & Light strip		4239 021 88451	4239 021 88451	4239 021 88441
2	Reflector assy		4239 026 61311	4239 026 61311	4239 026 61311
3	LED wire assy		4239 021 87002	4239 021 87002	4239 021 87002
4	Trigger spring		4239 014 55381	4239 014 55381	4239 014 55381
5	Trigger		4239 026 61341	4239 026 61341	4239 026 61921
6	Housing cap		4239 015 61511	4239 015 61511	4239 015 61511
8	Housing & Deco plate		4239 021 88521	4239 021 87791	4239 021 88901
10	Chassis		4239 026 61291	4239 026 61291	4239 026 61292
11	Rubber bung		4239 015 59781	4239 015 59781	4239 015 59781
12	Ryton ring		4239 015 70153	4239 015 70153	4239 015 70153
13	Soleplate Mtd assy		4239 021 86871	4239 021 86871	4239 021 88571
14	Hose cord Mtd assy		4239 021 86962	4239 021 86962	4239 021 86964
15	Water tank assy		4239 021 87891	4239 021 87891	4239 021 87891
16G	Front lock catch spring		4239 014 55091	4239 014 55091	4239 014 55091
16H	Front lock slider spring		4239 014 55011	4239 014 55011	4239 014 55011
17	Tray rubber cap		4239 015 59731	4239 015 59731	4239 015 59731
18B	Pump support outlet		4239 015 60351	4239 015 60351	4239 015 61641
19	Stand top		4239 021 88511	4239 021 88511	4239 021 88514
19A	Tray		-	-	-
19B	Front Lock assy		-	-	-
19C	Stand top molded		-	-	-
20	Power board PCBA assy		4239 021 87372	4239 021 87372	4239 021 87372
21	PCBA holder		4239 026 61591	4239 026 61591	4239 026 61591
22	Hall sensor PCBA assy		4239 021 87391	4239 021 87391	4239 021 87391
23	IU board PCBA assy		4239 021 87382	4239 021 87382	4239 021 87382
24	Button frame		4239 021 87841	4239 021 87841	4239 021 87841
25	Power button		4239 021 87851	4239 021 87851	4239 021 87851
26	Pump assy		4239 021 86521	4239 021 86521	4239 021 87361
27	Corrugated elbow tube		4239 015 61551	4239 015 61551	4239 015 61551
28A	Pump support inlet		4239 015 60761	4239 015 60761	4239 015 61631
29	Return tube		4239 015 59321	4239 015 59321	4239 015 59321
30	Inlet support seal		4239 015 61571	4239 015 61571	4239 015 61571
31	Inlet coupling plate		4239 021 88461	4239 021 88461	4239 021 88461
32	Inlet coupling support		4239 026 61601	4239 026 61601	4239 026 61601
33	Braided rubber hose		4239 015 61381	4239 015 61381	4239 015 61381
34	Hose clip		4239 010 10281	4239 010 10281	4239 010 10281
35	Inox clamp		4239 010 10261	4239 010 10261	4239 010 10261
36	Boiler assy (1700 W)		4239 010 14061	4239 010 14061	4239 010 14061
37	E-valve (7 bar)		4239 010 13831	4239 010 13831	4239 010 13831
38A	Safety valve (8 bar)		4239 010 13821	4239 010 13821	4239 010 13821
38B	Safety cap Nat		4239 015 59211	4239 015 59211	4239 015 59211
39	Water probe assy		4239 021 86971	4239 021 86971	4239 021 86971
40	Boiler support bracket		4239 026 42581	4239 026 42581	4239 026 42581
41	Ryton ring (Boiler)		4239 015 70153	4239 015 70153	4239 015 70153

Pos	Description	GC9622/28 Service code	GC9625/20 Service code	GC9630/20 Service code	GC9630/21 Service code
42	Rinse cap assy		4239 021 87871	4239 021 87871	4239 021 87871
43	Cordset		2422 070 98596	2422 070 98596	2422 070 98612
43	Cord set (Thailand)		N/A	N/A	N/A
44	Cord clamp		4239 026 26273	4239 026 26273	4239 026 26273
45	Clamping plate		4239 010 00283	4239 010 00283	4239 010 00283
46	Spacer top		4239 026 51241	4239 026 51241	4239 026 51241
47	Spacer bottom		4239 026 32181	4239 026 32181	4239 026 32181
50	Stand bottom assy		4239 021 88501	4239 021 88501	4239 021 88501
51	Bung		4239 015 52342	4239 015 52342	4239 015 52342
52	Glove		N/A	N/A	N/A

Pos	Description	GC9630/97 Service code	GC9640/60 Service code	GC9640/61 Service code	GC9640/97 Service code
1	Inlay & Light strip		4239 021 88451		
2	Reflector assy		4239 026 61311		
3	LED wire assy		4239 021 87002		
4	Trigger spring		4239 014 55381		
5	Trigger		4239 026 61911		
6	Housing cap		4239 015 61511		
8	Housing & Deco plate		4239 021 88581		
10	Chassis		4239 026 61291		
11	Rubber bung		4239 015 59781		
12	Ryton ring		4239 015 70153		
13	Soleplate Mtd assy		4239 021 86871		
14	Hose cord Mtd assy		4239 021 88592		
15	Water tank assy		4239 021 88631		
16G	Front lock catch spring		4239 014 55091		
16H	Front lock slider spring		4239 014 55011		
17	Tray rubber cap		4239 015 59731		
18B	Pump support outlet		4239 015 61641		
19	Stand top		4239 021 88621		
19A	Tray		-		
19B	Front Lock assy		-		
19C	Stand top molded		-		
20	Power board PCBA assy		4239 021 87372		
21	PCBA holder		4239 026 61591		
22	Hall sensor PCBA assy		4239 021 87391		
23	IU board PCBA assy		4239 021 87382		
24	Button frame		4239 021 88481		
25	Power button		4239 021 88491		
26	Pump assy		4239 021 86521		
27	Corrugated elbow tube		4239 015 61551		
28A	Pump support inlet		4239 015 61631		
29	Return tube		4239 015 59321		
30	Inlet support seal		4239 015 61571		
31	Inlet coupling plate		4239 021 88461		
32	Inlet coupling support		4239 026 61601		
33	Braided rubber hose		4239 015 61381		
34	Hose clip		4239 010 10281		
35	Inox clamp		4239 010 10261		
36	Boiler assy (1700 W)		4239 010 14061		
37	E-valve (7 bar)		4239 010 13831		
38A	Safety valve (8 bar)		4239 010 13821		
38B	Safety cap Nat		4239 015 59211		
39	Water probe assy		4239 021 86971		
40	Boiler support bracket		4239 026 42581		
41	Ryton ring (Boiler)		4239 015 70153		

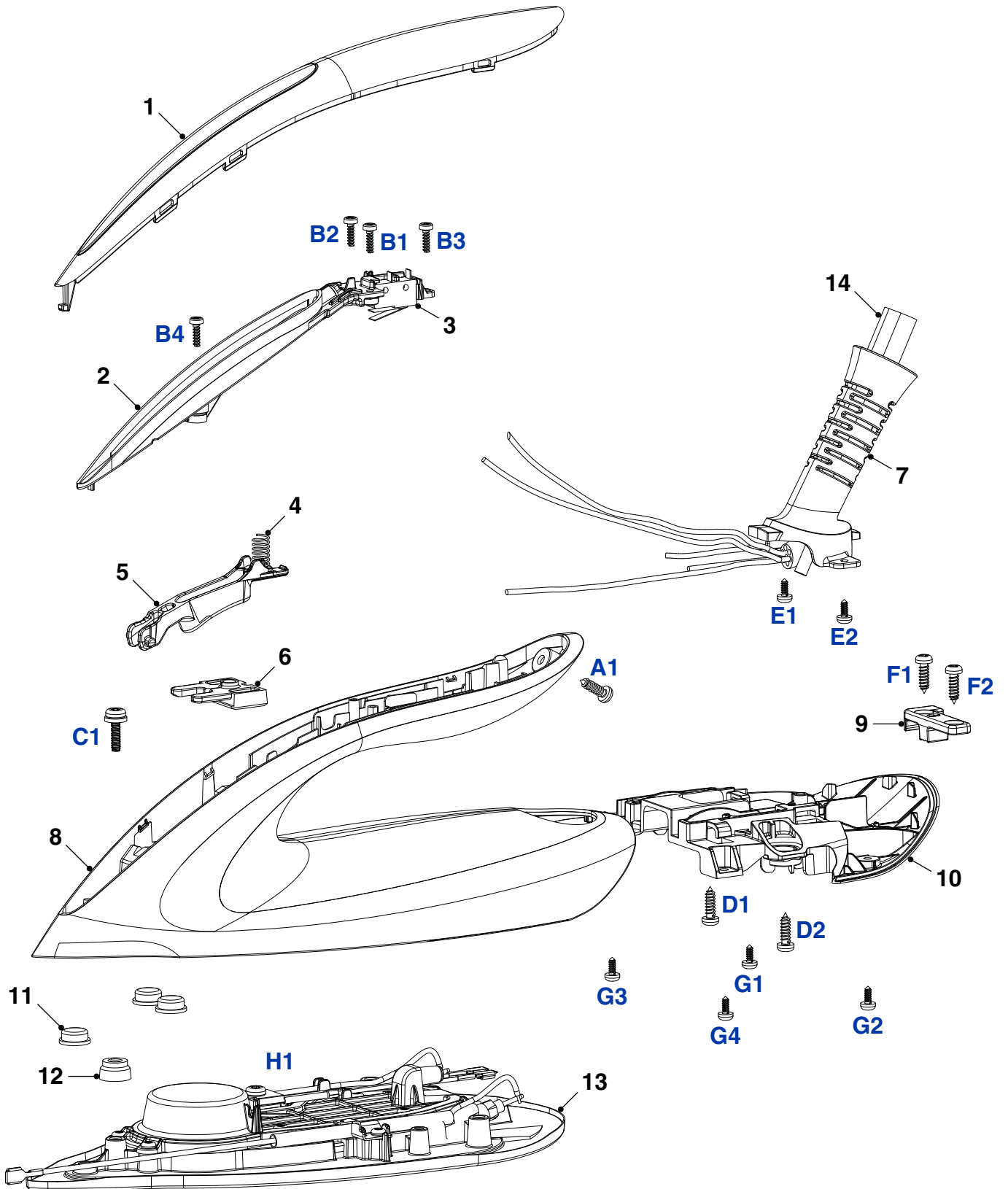
Pos	Description	GC9630/97 Service code	GC9640/60 Service code	GC9640/61 Service code	GC9640/97 Service code
42	Rinse cap assy		4239 021 88391		
43	Cordset		2422 070 98595		
43	Cord set (Thailand)		N/A		
44	Cord clamp		4239 026 26273		
45	Clamping plate		4239 010 00283		
46	Spacer top		4239 026 51241		
47	Spacer bottom		4239 026 32181		
50	Stand bottom assy		4239 021 88611		
51	Bung		4239 015 52342		
52	Glove		N/A		

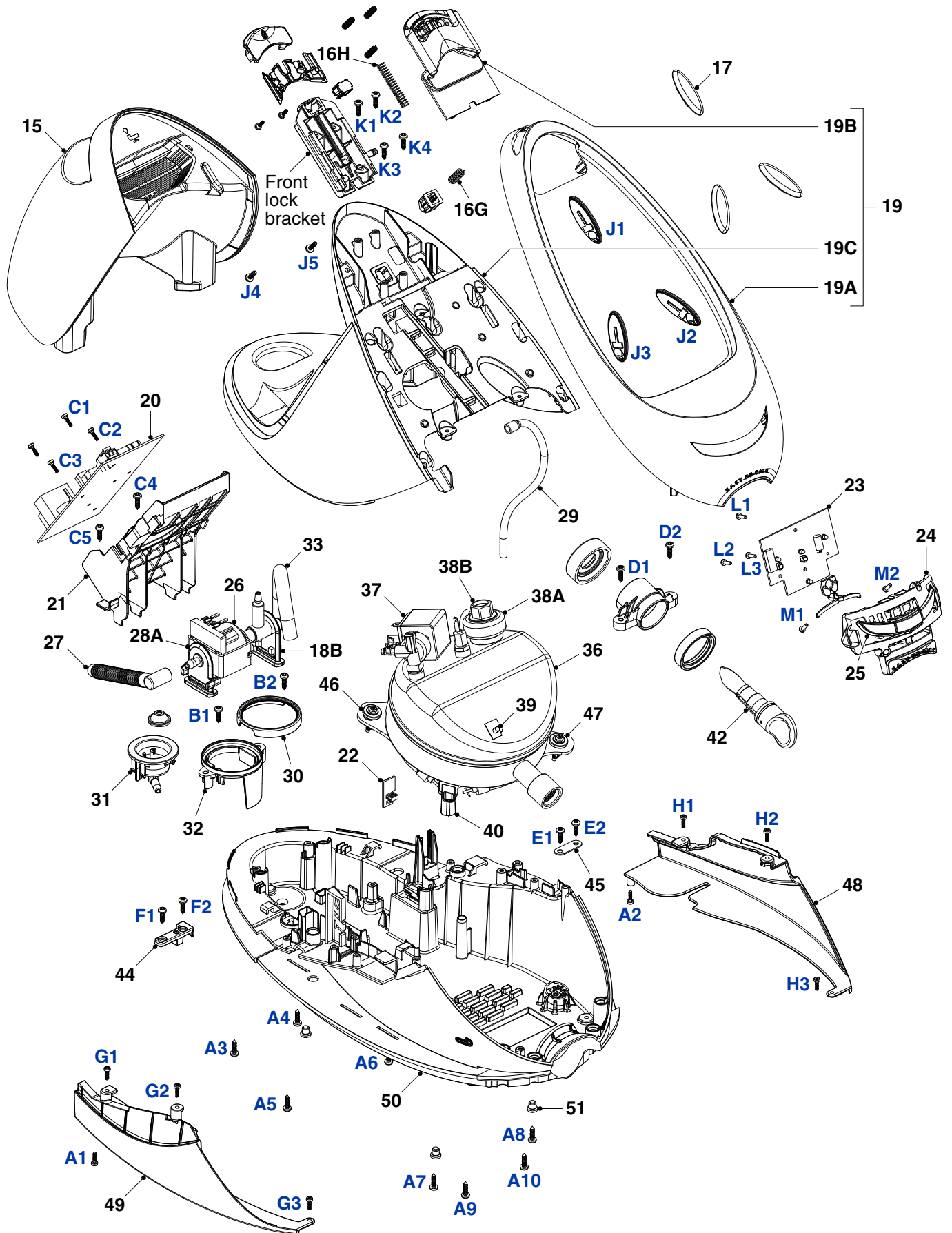
Pos	Description	GC9642/60 Service code	GC9642/61 Service code	GC9642/68 Service code	GC9642/97 Service code
1	Inlay & Light strip	4239 021 88451	4239 021 88441		
2	Reflector assy	4239 026 61311	4239 026 61311		
3	LED wire assy	4239 021 87002	4239 021 87002		
4	Trigger spring	4239 014 55381	4239 014 55381		
5	Trigger	4239 026 61911	4239 026 61921		
6	Housing cap	4239 015 61511	4239 015 61511		
8	Housing & Deco plate	4239 021 88581	4239 021 88901		
10	Chassis	4239 026 61291	4239 026 61292		
11	Rubber bung	4239 015 59781	4239 015 59781		
12	Ryton ring	4239 015 70153	4239 015 70153		
13	Soleplate Mtd assy	4239 021 86871	4239 021 88571		
14	Hose cord Mtd assy	4239 021 88592	4239 021 88594		
15	Water tank assy	4239 021 88631	4239 021 88631		
16G	Front lock catch spring	4239 014 55091	4239 014 55091		
16H	Front lock slider spring	4239 014 55011	4239 014 55011		
17	Tray rubber cap	4239 015 59731	4239 015 59731		
18B	Pump support outlet	4239 015 61641	4239 015 61641		
19	Stand top	4239 021 88851	4239 021 88853		
19A	Tray	-	-		
19B	Front Lock assy	-	-		
19C	Stand top molded	-	-		
20	Power board PCBA assy	4239 021 87372	4239 021 87372		
21	PCBA holder	4239 026 61591	4239 026 61591		
22	Hall sensor PCBA assy	4239 021 87391	4239 021 87391		
23	IU board PCBA assy	4239 021 87382	4239 021 87382		
24	Button frame	4239 021 88481	4239 021 88481		
25	Power button	4239 021 88491	4239 021 88491		
26	Pump assy	4239 021 88821	4239 021 88821		
27	Corrugated elbow tube	4239 015 61551	4239 015 61551		
28A	Pump support inlet	4239 015 61631	4239 015 61631		
29	Return tube	4239 015 59321	4239 015 59321		
30	Inlet support seal	4239 015 61571	4239 015 61571		
31	Inlet coupling plate	4239 021 88461	4239 021 88461		
32	Inlet coupling support	4239 026 61601	4239 026 61601		
33	Braided rubber hose	4239 015 61381	4239 015 61381		
34	Hose clip	4239 010 10281	4239 010 10281		
35	Inox clamp	4239 010 10261	4239 010 10261		
36	Boiler assy (1700 W)	4239 010 14061	4239 010 14061		
37	E-valve (7 bar)	4239 010 13831	4239 010 13831		
38A	Safety valve (8 bar)	4239 010 13821	4239 010 13821		
38B	Safety cap Nat	4239 015 59211	4239 015 59211		
39	Water probe assy	4239 021 86971	4239 021 86971		
40	Boiler support bracket	4239 026 42581	4239 026 42581		
41	Ryton ring (Boiler)	4239 015 70153	4239 015 70153		

Pos	Description	GC9642/60 Service code	GC9642/61 Service code	GC9642/68 Service code	GC9642/97 Service code
42	Rinse cap assy	4239 021 88391	4239 021 88391		
43	Cordset	2422 070 98592	2422 070 98609		
43	Cord set (Thailand)	N/A	N/A		
44	Cord clamp	4239 026 26273	4239 026 26273		
45	Clamping plate	4239 010 00283	4239 010 00283		
46	Spacer top	4239 026 51241	4239 026 51241		
47	Spacer bottom	4239 026 32181	4239 026 32181		
50	Stand bottom assy	4239 021 88611	4239 021 88611		
51	Bung	4239 015 52342	4239 015 52342		
52	Glove	N/A	N/A		

Pos	Description	GC9650/80 Service code	GC9650/81 Service code	GC9650/97 Service code
1	Inlay & Light strip	4239 021 88441	4239 021 88441	
2	Reflector assy	4239 026 61311	4239 026 61311	
3	LED wire assy	4239 021 87002	4239 021 87002	
4	Trigger spring	4239 014 55381	4239 014 55381	
5	Trigger	4239 026 61921	4239 026 61921	
6	Housing cap	4239 015 61511	4239 015 61511	
8	Housing & Deco plate	4239 021 88901	4239 021 88901	
10	Chassis	4239 026 62002	4239 026 62002	
11	Rubber bung	4239 015 59781	4239 015 59781	
12	Ryton ring	4239 015 70153	4239 015 70153	
13	Soleplate Mtd assy	4239 021 88571	4239 021 88571	
14	Hose cord Mtd assy	4239 021 88915	4239 021 88955	
15	Water tank assy	4239 021 88941	4239 021 88941	
16G	Front lock catch spring	4239 014 55091	4239 014 55091	
16H	Front lock slider spring	4239 014 55011	4239 014 55011	
17	Tray rubber cap	4239 015 59731	4239 015 59731	
18B	Pump support outlet	4239 015 61641	4239 015 61641	
19	Stand top	4239 021 88931	4239 021 88931	
19A	Tray	-	-	
19B	Front Lock assy	-	-	
19C	Stand top molded	-	-	
20	Power board PCBA assy	4239 021 87372	4239 021 87372	
21	PCBA holder	4239 026 61591	4239 026 61591	
22	Hall sensor PCBA assy	4239 021 87391	4239 021 87391	
23	IU board PCBA assy	4239 021 87382	4239 021 87382	
24	Button frame	4239 021 89731	4239 021 89731	
25	Power button	4239 021 89741	4239 021 89741	
26	Pump assy	4239 021 86521	4239 021 86521	
27	Corrugated elbow tube	4239 015 61551	4239 015 61551	
28A	Pump support inlet	4239 015 61631	4239 015 61631	
29	Return tube	4239 015 59321	4239 015 59321	
30	Inlet support seal	4239 015 61571	4239 015 61571	
31	Inlet coupling plate	4239 021 88471	4239 021 88471	
32	Inlet coupling support	4239 026 61601	4239 026 61601	
33	Braided rubber hose	4239 015 61381	4239 015 61381	
34	Hose clip	4239 010 10281	4239 010 10281	
35	Inox clamp	4239 010 10261	4239 010 10261	
36	Boiler assy (1700 W)	4239 010 14061	4239 010 14061	
37	E-valve (7 bar)	4239 010 13831	4239 010 13831	
38A	Safety valve (8 bar)	4239 010 13821	4239 010 13821	
38B	Safety cap Nat	4239 015 59211	4239 015 59211	
39	Water probe assy	4239 021 86971	4239 021 86971	
40	Boiler support bracket	4239 026 42581	4239 026 42581	
41	Ryton ring (Boiler)	4239 015 70153	4239 015 70153	

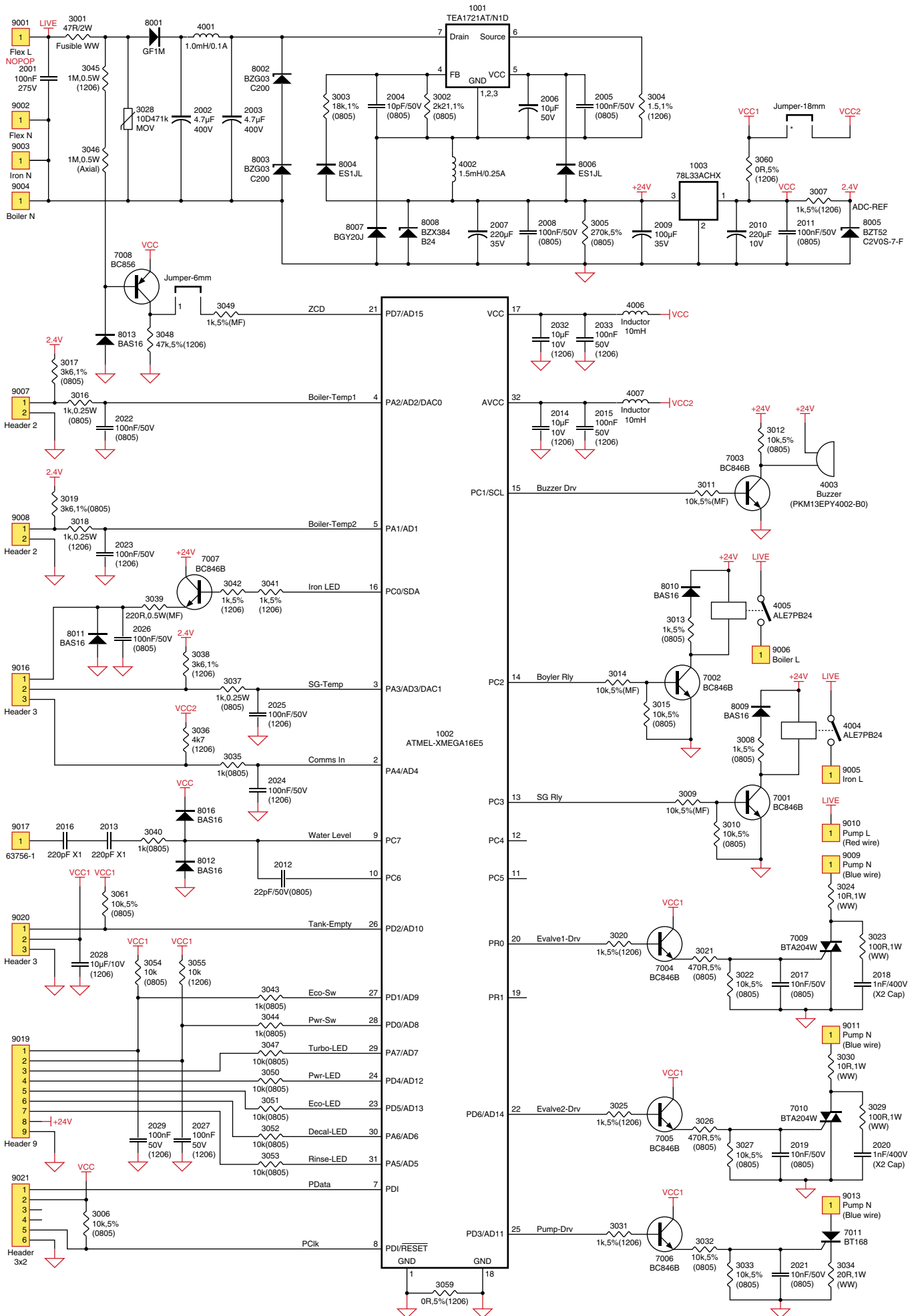
Pos	Description	GC9650/80 Service code	GC9650/81 Service code	GC9650/97 Service code
42	Rinse cap assy	4239 021 88421	4239 021 88421	
43	Cordset	N/A	2422 070 98614	
43	Cord set (Thailand)	2422 070 98627	N/A	
44	Cord clamp	4239 026 26273	4239 026 26273	
45	Clamping plate	4239 010 00283	4239 010 00283	
46	Spacer top	4239 026 51241	4239 026 51241	
47	Spacer bottom	4239 026 32181	4239 026 32181	
50	Stand bottom assy	4239 021 88921	4239 021 88921	
51	Bung	4239 015 52342	4239 015 52342	
52	Glove	4239 017 14511	4239 017 14511	





Wiring Diagram

GC9620 - GC9650



- Due to the high wattage of the iron, only the specified cord set must be used.
- Should damage be observed on the **CORDSET 43**, it must be replaced. Continued usage is not allowed.
- If **STAND BOTTOM ASSY 50** is provided without type plate information eg. Type number, voltage etc. When replacing the Stand Bottom Assy, engrave the type number & voltage on the type plate with a sharp object.
- After the product has been repaired, it should function properly and has to meet the safety requirements & legal regulation as laid down & officially established at this moment.
- The following tests are common checks that are conducted on a repaired product before it is returned to the consumer.

1. Soleplate temperature

Check the soleplate temperature is within IEC requirement.

Soleplate temperature (Deg C)		Materials, for example	
Minimum	Maximum		
120	143	All fabric types	

2. Leakage current

Check that leakage current is within IEC requirement.

Measure leakage current between LIVE/NEUTRAL & EARTH.

IEC requirement is that at 230 V supply, the EARTH leakage current must be less than 0.75 mA.

3. Water leakage / Functionality

Check that there is no water leakage from any part of product during operation.

Check that the functionality of the product (product dependent) eg. Steaming, variable steam, SOS, ASO etc is working properly.

4. Loose part

Check that there are no loose parts eg. Extra screws in the product that can cause short-circuit or product malfunctions.

5. Fuse open circuit

When replacing fuse, to also service the water tubes which is probably choked with calc.

6. Self-Check mode

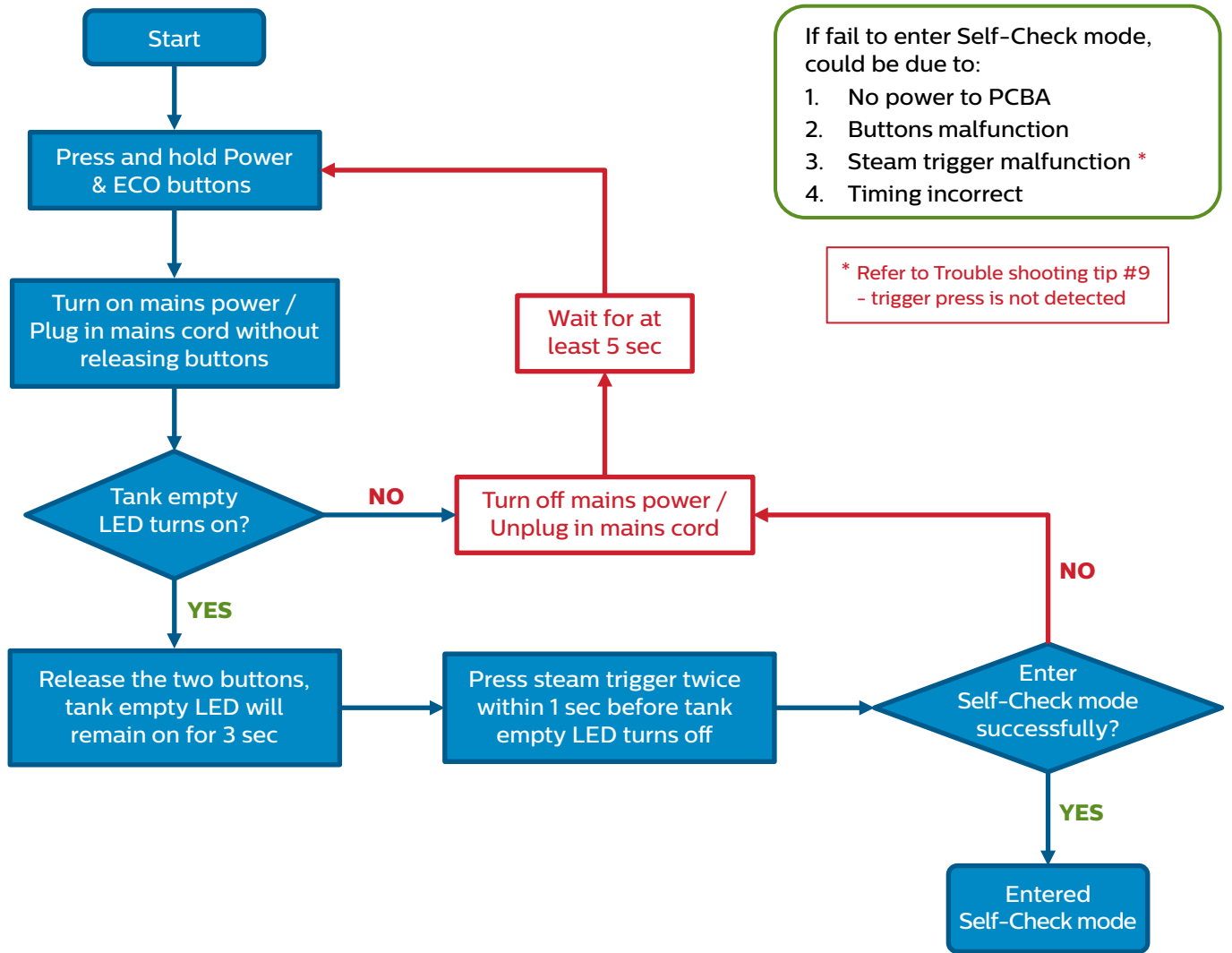
6.1. Introduction of Self-Check mode

Self-Check mode is **NOT** an exhaustive diagnosis, but a quick preliminary check on all the hardware function. Further test and troubleshooting may still be required by Service Center to identify the root cause.

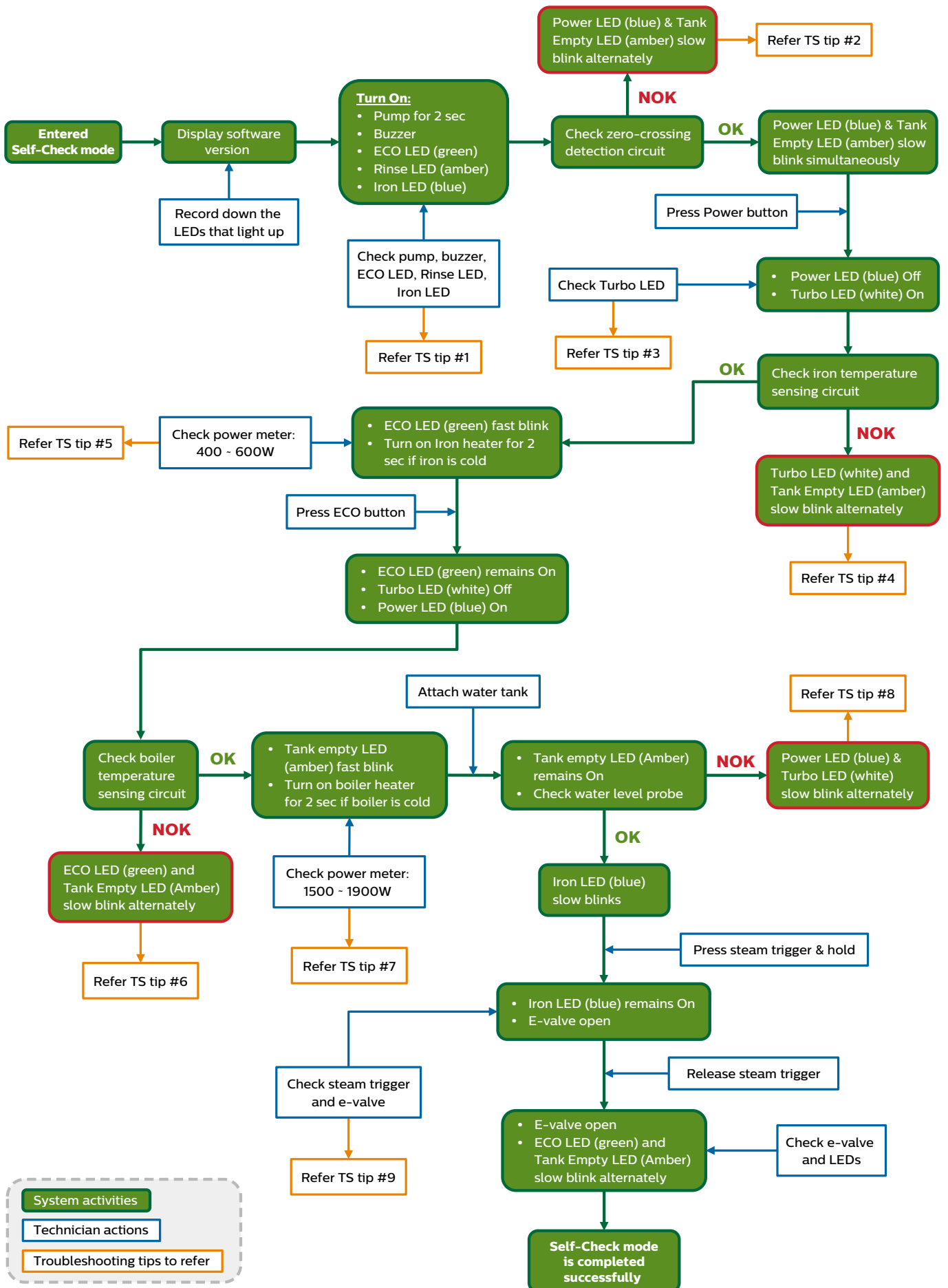
6.2. Before start Self-Check mode, please do the following checking

1. Make sure Soleplate is cold (<100 °C)
2. Make sure Boiler is cold (<100 °C)
3. Make sure Boiler is empty
4. Water tank with water above min mark
5. Water tank is NOT attached to the system
6. Power meter in place to monitor system power

6.3. Enter Self-Check mode Process Flow Chart



6.4. Perform Self-Check mode Process Flow Chart



6.5. Troubleshooting Tips

1. No pumping sound, fault could be on:

TS tip #1

- a) Pump → [check by apply AC voltage directly](#)
- b) **Power PCBA** → [check by driving a known good pump](#)
- c) Connection → [check wire continuity](#)

2. No buzzer sound, fault should be on Power **PCBA**

3. Iron LED does not light up as specified, fault could be on:

- a) Iron LED and hose cord wiring → [disconnect connector 9016 from Power PCBA and measure across pin 3 at female side and iron Neutral to check diode characteristics](#)
- b) Power PCBA → [check by test another board](#)

4. Other LEDs do not light up as specified, fault should be on one of **PCBAs or interconnection**

1. Zero-crossing detection circuit error, fault should be on **PCBA**

TS tip #2

1. LEDs do not light up as specified, fault should be on one of **PCBAs or interconnection**

TS tip #3

1. Iron temperature sensing circuit error, fault could be on:

TS tip #4

- a) Thermistor → [check the resistance, should be around 200+ kΩ](#)
- b) Power PCBA → [check by test another board](#)
- c) Connection → [check wire continuity, especially hose cord](#)

1. Iron heater power does not show in the power meter, fault could be due to:

TS tip #5

- a) Iron is too hot → [cool down and try again](#)
- b) Iron fuse or heating element Open Circuit → [check resistance between Iron Live and Neutral signal](#)
- c) Power PCBA → [check by test another board](#)

1. Boiler temperature sensing circuit error, fault could be due to:

TS tip #6

- a) Thermistor → [check the resistance, should be around 200+ kΩ](#)
- b) Power PCBA → [check by test another board](#)
- c) Connection → [check wire continuity](#)

1. Boiler heater power does not show in the power meter, fault could be due to:

TS tip #7

- a) Boiler is too hot → [cool down and try again](#)
- b) Boiler fuse or heating element Open Circuit → [check resistance between Boiler Live and Neutral signal](#)
- c) Power PCBA → [check by test another board](#)

1. Water probe error, fault could be due to:

TS tip #8

- a) There is water inside boiler → [pour out water and test again](#)
- b) Probe reaches end of life → [replace probe and test again](#)
- c) Connection → [check wire continuity](#)
- d) Power PCBA → [check by test another board](#)

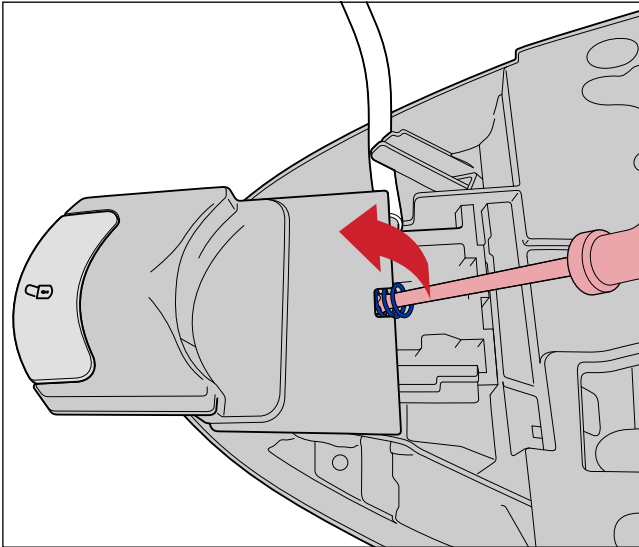
1. E-valve does not open when steam trigger is pressed:

TS tip #9

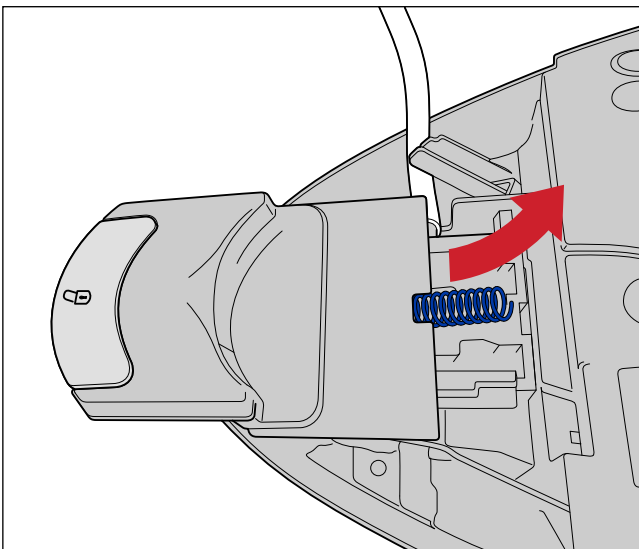
- If iron LED still keeps blinking, trigger press is not detected, fault could be on:
 - a) Trigger mechanism or hose cord connection → [disconnect connector 9016 from Power PCBA and measure continuity between the black wire \(pin1\) and iron Neutral, it should be short circuit when trigger is pressed, and open circuit when trigger is released.](#)
 - b) Power PCBA → [check by test another board](#)
- If iron LED becomes steady on when press steam trigger, and system shows completed Self-Check mode successfully after release the trigger → [check E-valve related parts and Power PCBA](#)

7. Lock assy disassembly advise

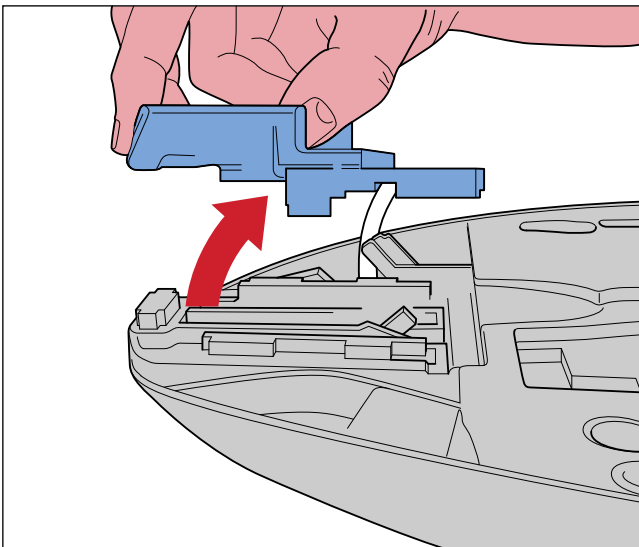
Step 1: Use a screw driver to lift up the spring in the lock assy.



Step 2: Remove the lifted spring.



Step 3: Slide and lift up the lock assy.



History Record

Added in Section 6 under Repair instruction on Aug. 2015

Revised Section 6, added in Section 8 under Repair instruction on Oct. 2015

Added Pos. 3 in exploded view - Iron on Jan. 2016